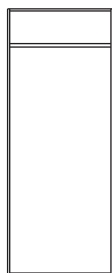
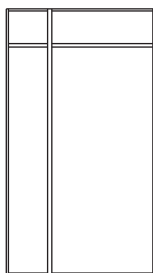
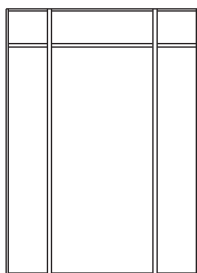

Installation Instructions for Transom Units



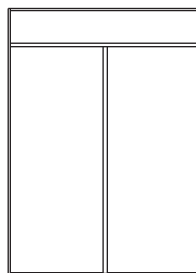
Single Door



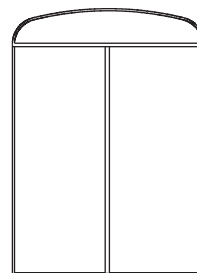
Mulled Sidelite



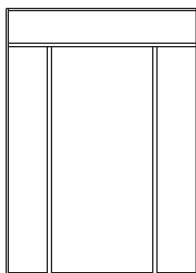
Mulled Sidelites
Separated Sills



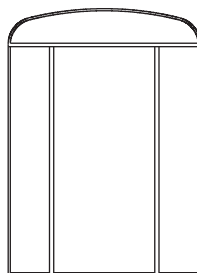
Patio



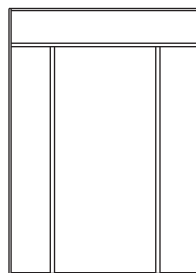
Patio



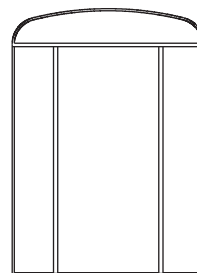
Mulled Sidelites
Separated Sills



Mulled Sidelites
Separated Sills



Continuous Head/Sill
and Mullions



Continuous Head/Sill
and Mullions

Read all instructions before starting.

THERMA TRU[®]
DOORS

1 ASSEMBLE JAMB EXTENDERS IF USING 6-5/8" JAMBS.

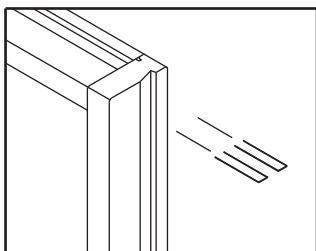
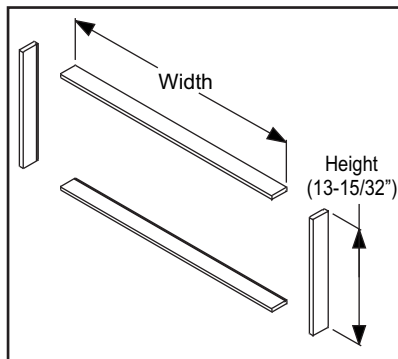
Measure transom frame width and height.

The following are recommended height and width dimensions. Use actual measurements to construct jamb extender frame.

Height: 13-15/32"

Door/Sidelite Slab	Width
14" Sidelite	14"
12" Sidelite	12"
3/0	36-5/32"
5/0 Patio	64-5/16"
5/4 Patio	68-5/16"
5/8 Patio	72-5/16"
6/0 Patio	76-5/16"
3/0 w/12" S/L, Mulled	62-5/32"
3/0 w/12" S/L, Boxed.	63-5/32"
3/0 w/14" S/L, Muller	66-5/32"
3/0 w/14" S/L, Boxed	67-5/32"

Cut extender components to match transom dimensions.

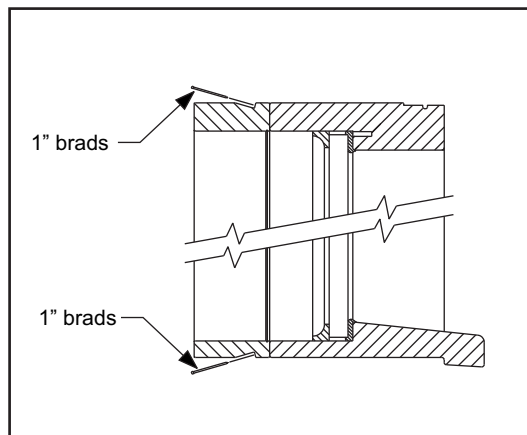


Butt corners together and fasten with 2 staples or nails.

2 APPLY JAMB EXTENDERS IF APPLICABLE.

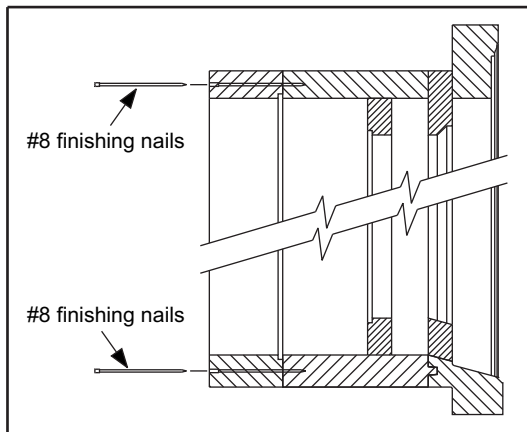
Align extender with transom. Orient so V-groove for fastening is closer to transom frame.

Fasten entire perimeter, as shown, through V-groove. Use 1" brads on 6" centers.



Align extension jamb with transom jamb so inside surface of extension jamb is flush with inside surface of transom jamb, and relief notch is against transom jamb.

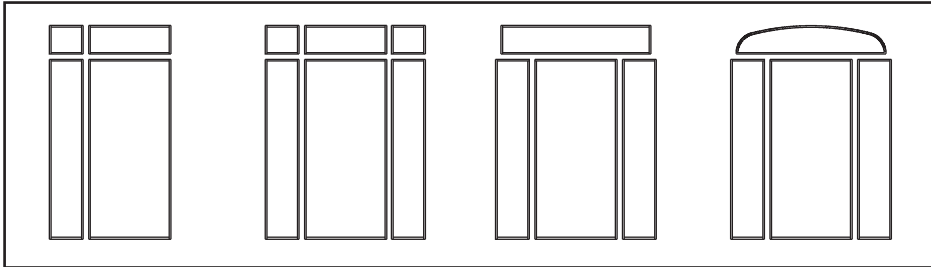
Nail and countersink extension jamb to transom jamb with #8 finishing nails in pre-drilled holes.



3

WIDTH-MATCH MULLED UNITS.

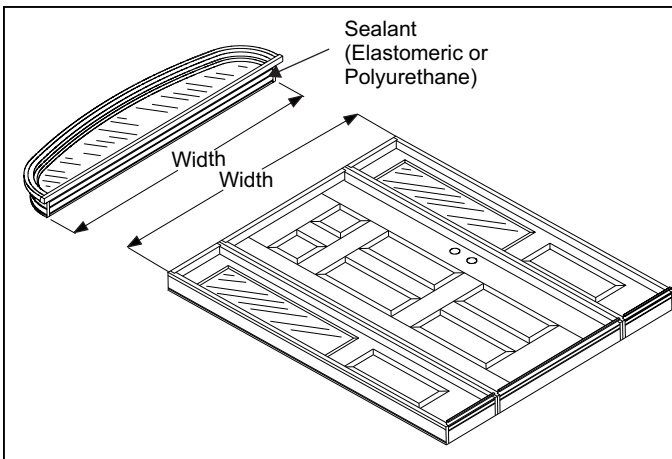
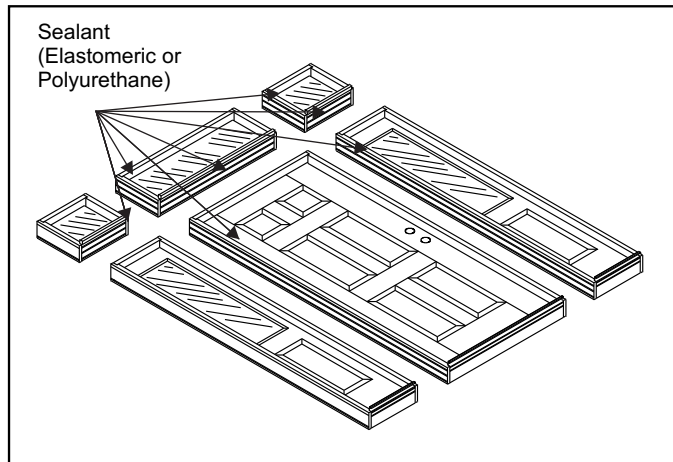
When jamb-stitched ("mulled") and then stacked with transoms, units require special attention. Width and thickness tolerances can work against the assembler. Width checking is required and shimming may be necessary.



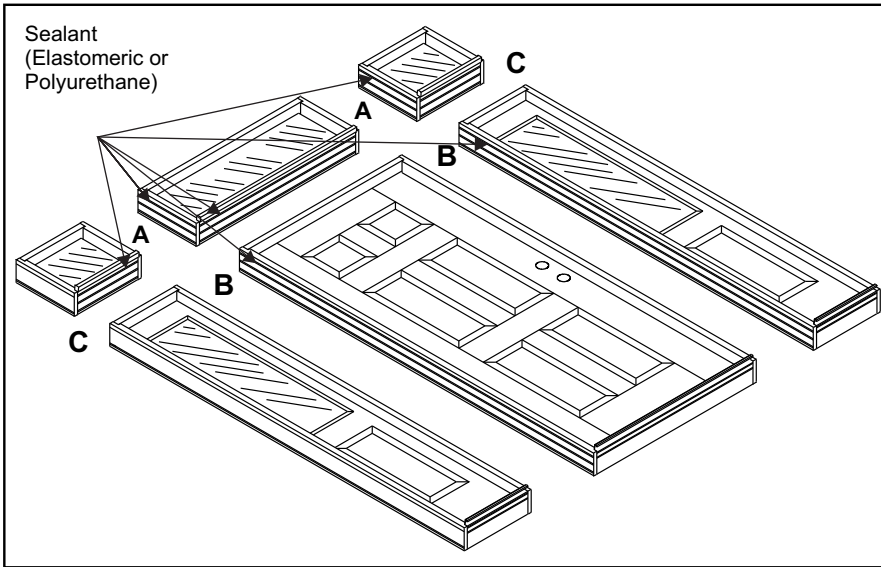
Place Units Together To Check Fit

Apply a 1/4" bead of sealant (Elastomeric or Polyurethane) entire length between units as shown.

Lay door, sidelite and transom units on a flat surface with exterior sides facing up.



Measure widths and compare.

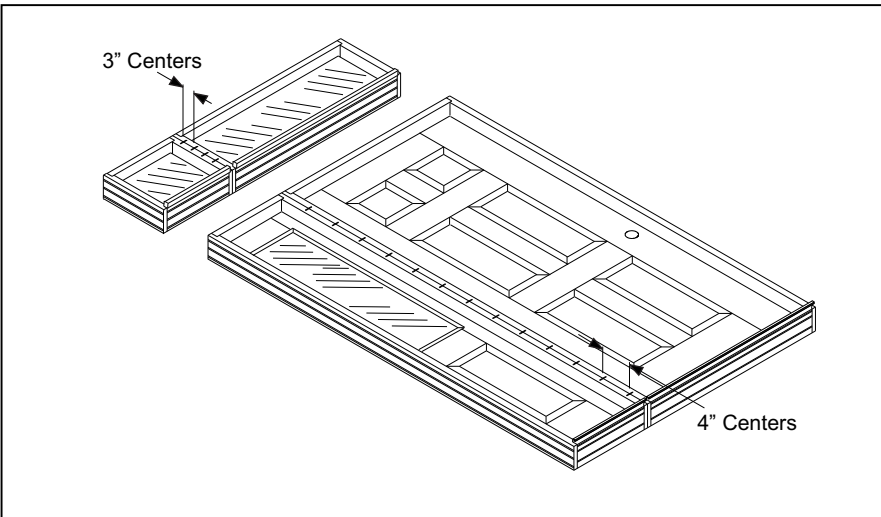


Shim or Remove Material Where Required To Match Widths

Shim between jambs at A or B so widths match at C.

If material needs to be removed, use a power planer or belt sander on back side of jamb where required.

Apply a 1/4" bead of sealant (Elastomeric or Polyurethane) entire length between units as shown.



Stitch-Fasten Jambs

Draw jambs together and stitch fasten at interior side across joint with 1" corrugated fasteners.

Fasten door unit at 4" centers.

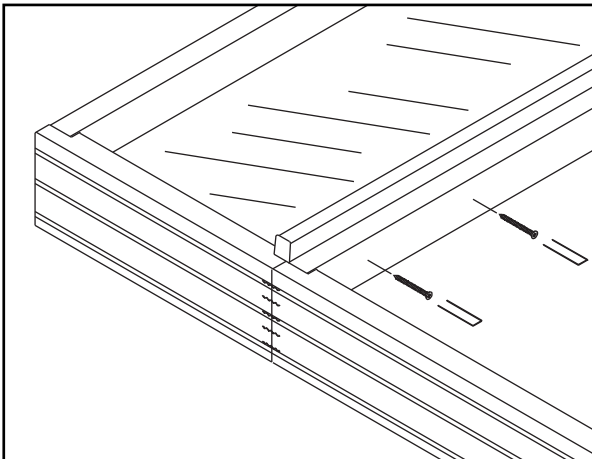
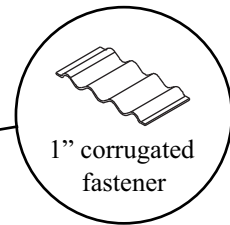
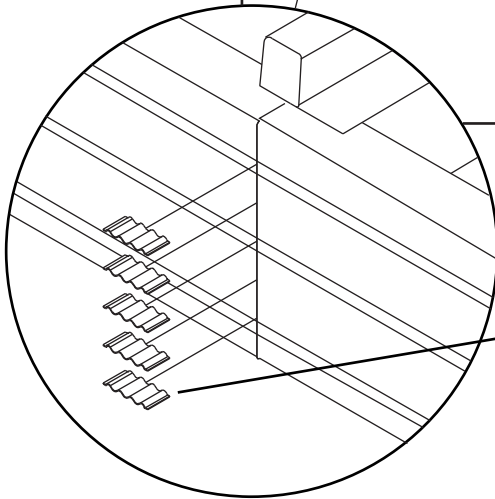
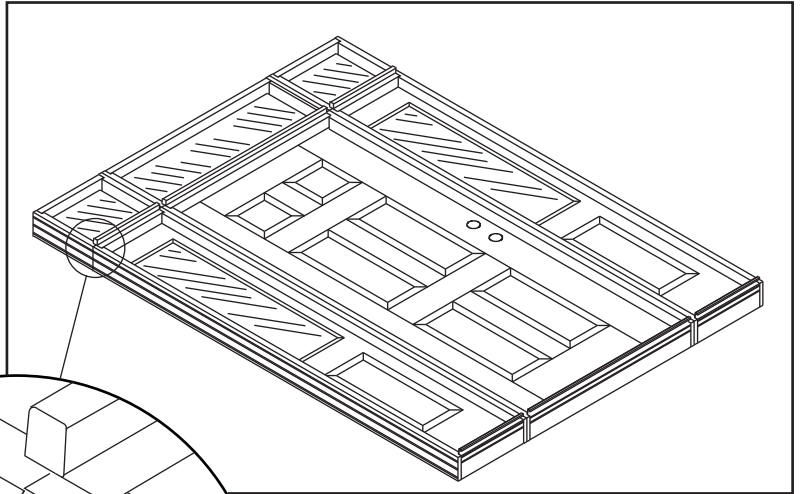
Fasten transom unit at 3" centers.

4

ATTACH TRANSOM TO DOOR UNIT.

Draw units together tightly.

Fasten with 1" corrugated fasteners.



Draw head to transom sill and clamp if required.

Using 2" screws or staples spaced on 6" centers, fasten through door/sidelite frame heads into transom sill.

5

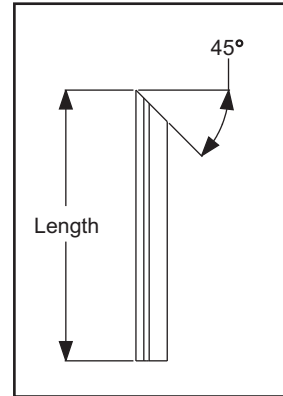
CUT BRICKMOLD TO SIZE. (RECTANGULAR TRANSOM)



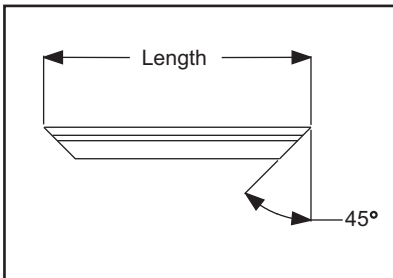
CAUTION:

The following four steps apply only to units with rectangular transoms.
For units with elliptical transoms proceed to step 9.

Door Height	Length	
	Inswing	Outswing
6/6	94-1/4"	93-5/32"
6/8	96-3/4"	95-21/32"
7/0	100-3/4"	99-21/32"
8/0	112-3/4"	111-21/32"



JAMB BRICKMOLD



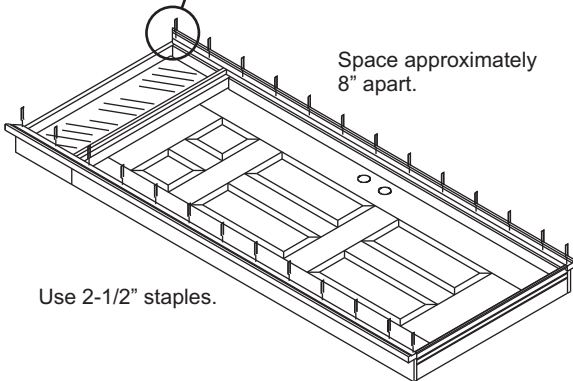
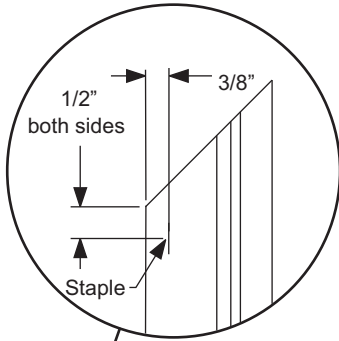
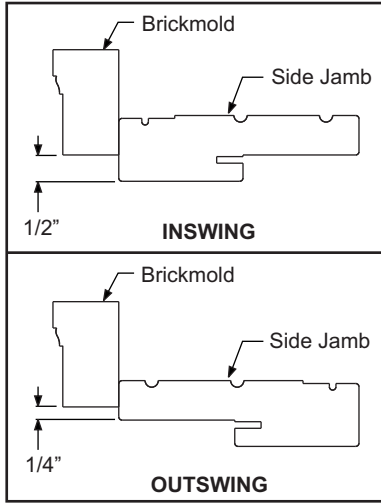
HEAD BRICKMOLD

	Unit Size	Head Length Inswing	Head Length Outswing
Single Units	3/0	40-5/32"	40-21/32"
Continuous Sill Units	3/0 - (2) 12"	66-5/32"	————
	3/0 - (2) 14"	70-5/32"	————
Mulled Units	3/0 - (2) 12"	67-5/32"	67-21/32"
	3/0 - (2) 14"	71-5/32"	71-21/32"
Patio Units	5/0	65-5/16"	65-13/16"
	5/4	69-5/16"	69-13/16"
	5/8	73-5/16"	73-13/16"
	6/0	77-5/16"	77-13/16"

6 FASTEN BRICKMOLD TO SIDE JAMBS.

Locate and attach brickmold jamb pieces.

Fasten brickmold with 2-1/2" staples starting 1/2" in from end and spaced approximately 8" apart.



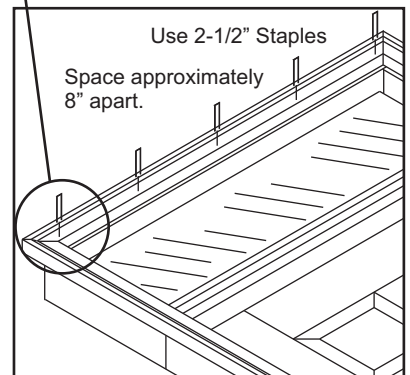
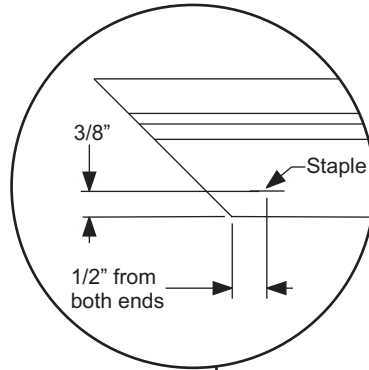
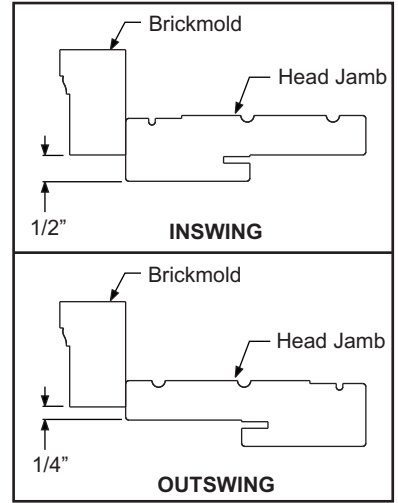
Use 2-1/2" staples.

7 FASTEN BRICKMOLD TO FRAME HEAD.

Align brickmold head at corner miters.

Fasten near ends to jambs with 2-1/2" staples.

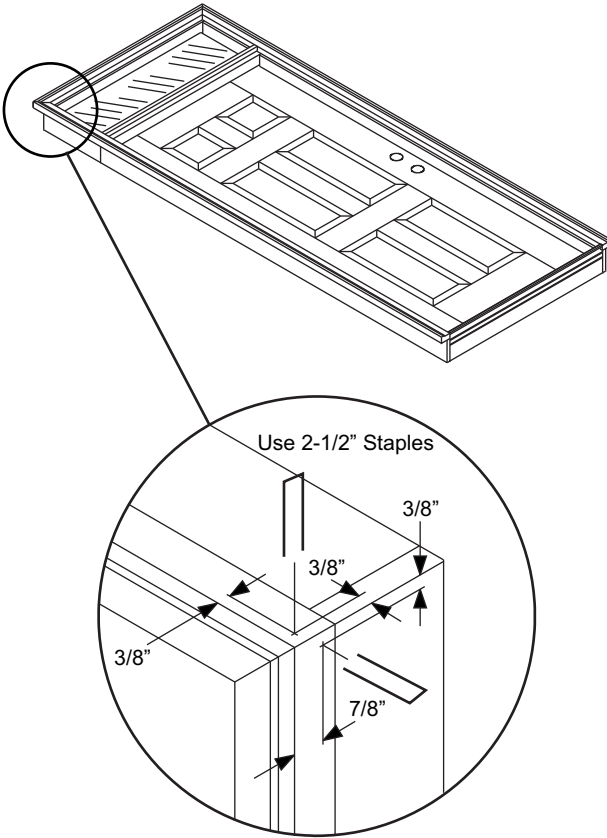
Hold proper 1/2" or 1/4" reveal and staple to jamb across length at approximately 8" spacing.



8 SECURE CORNERS AND CAULK REMAINING GAPS.

Secure each corner with (2) 2-1/2" staples, one applied through head piece and one applied through jamb length.

Caulk remaining gaps and remove excess.



9 CUT BRICKMOLD TO SIZE. (ELLIPTICAL TRANSOM)

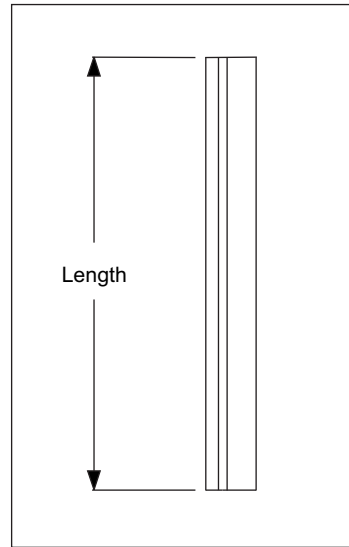


CAUTION:

The following two steps apply only to units with elliptical transoms.

JAMB LENGTHS

Door Height	Length	
	Inswing	Outswing
Patio	94-1/4"	93-5/32"
6/8	96-3/4"	95-21/32"
7/0	100-3/4"	99-21/32"
8/0	112-3/4"	111-21/32"



JAMB BRICKMOLD

THERMA TRU® DOORS

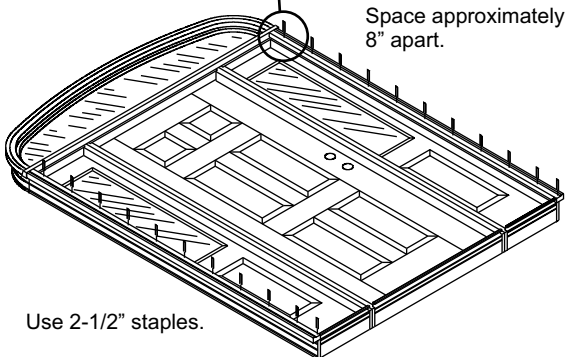
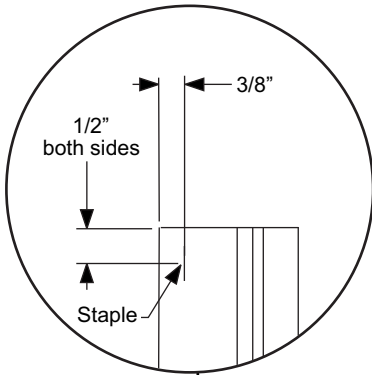
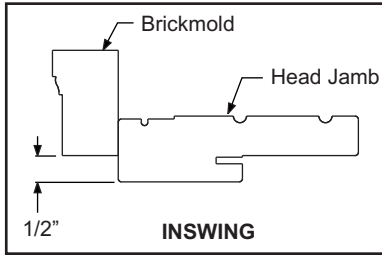
1750 Indian Wood Circle Maumee, Ohio 43537 419-891-7400

Therma-Tru® is a trademark of Therma-tru Corp., an operating company of Fortune Brands, Inc.
Part # TTTINST65 JULY 2011

10 FASTEN BRICKMOLD TO SIDE JAMBS.

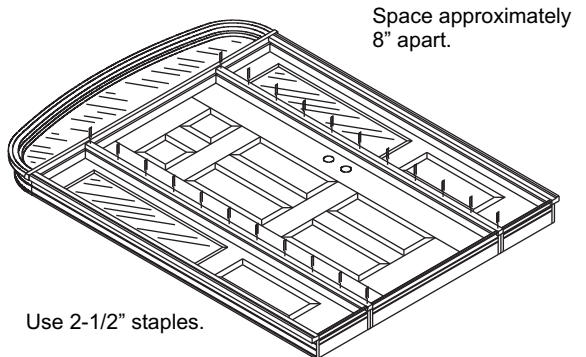
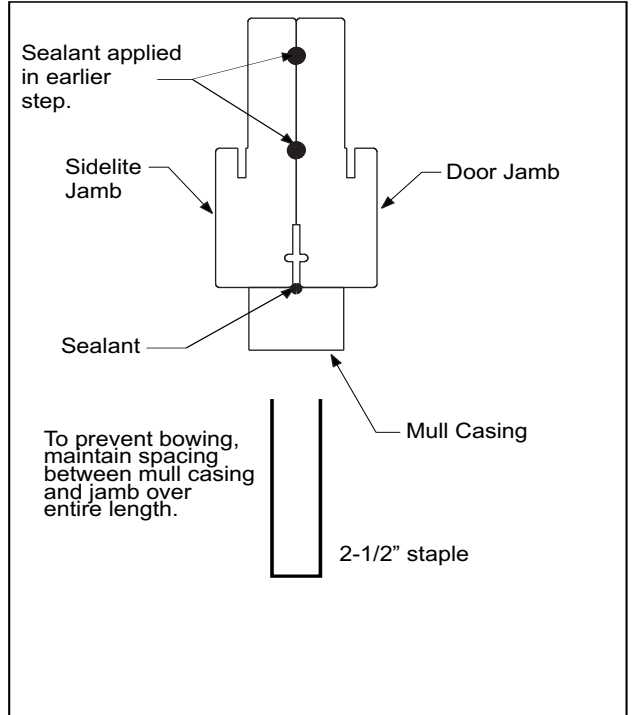
Locate and attach brickmold jamb pieces.

Fasten brickmold with 2-1/2" staples starting 1/2" in from end and spaced approximately 8" apart.



Use 2-1/2" staples.

11 CUT MULL CASING TO PROPER LENGTH AND APPLY.



Use 2-1/2" staples.

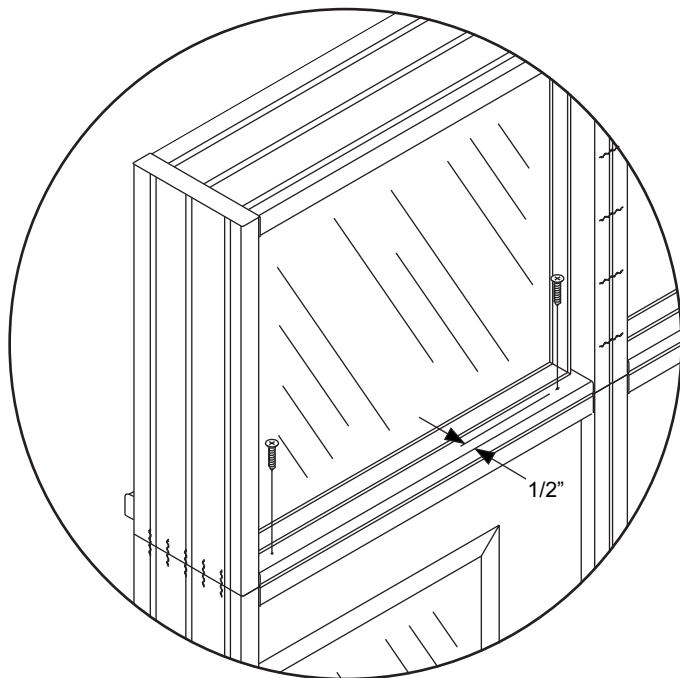
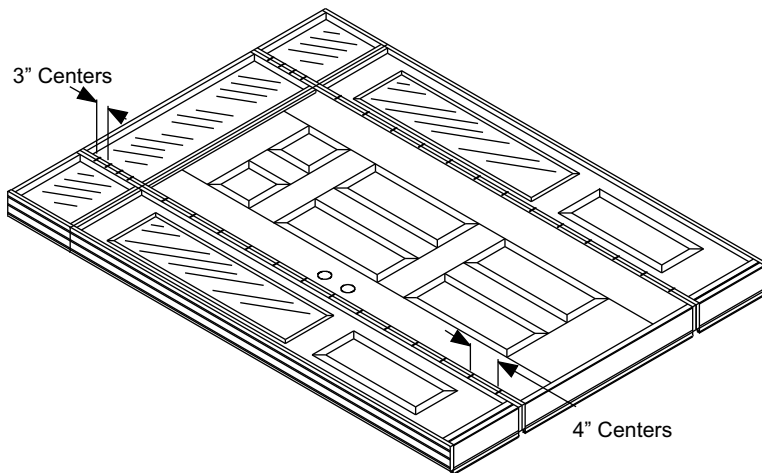
12 FINAL TRANSOM ATTACHMENT TO DOOR.

Turn entire unit over.

Stitch-fasten at exterior side across joint with 1" corrugated fasteners.

Fasten door unit at 4" centers.

Fasten transom unit at 3" centers.



Draw head/sill joint together and clamp if required.

Screw or staple down through transom sill into door/sidelite frame heads.

Fasten along a line approximately 1/2" in from edge as shown.

Space on 6" centers.

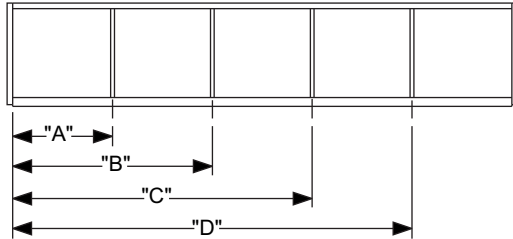
Rectangular transoms require 1" fasteners. Elliptical transoms require 1-1/2" fasteners.

13 INSTALL TRANSOM GRILLE (OPTIONAL)

Use table below for location of grille bars.

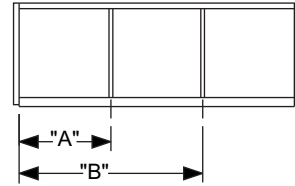
Measure from inside edge of transom jamb and place a mark on the sill approximately 3/4" from inside edge of sill.

Mark transom head in same manner.



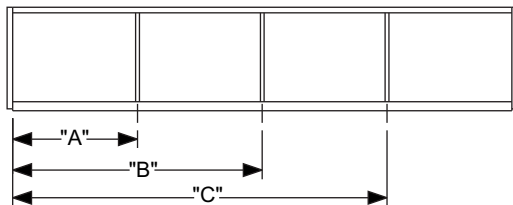
GRILLE BAR LOCATIONS, 5-PANE TRANSOM

UNIT SIZE	"A"	"B"	"C"	"D"
6/0	14-23/32"	29-11/32"	43-31/32"	58-19/32"
5/8	13-29/32"	27-3/4"	41-9/16"	55-25/64"
5/4	13-7/64"	26-9/64"	39-11/64"	52-13/64"
5/0	12-5/16"	24-35/64"	36-49/64"	49"



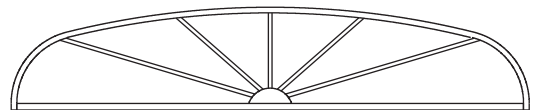
GRILLE BAR LOCATIONS, 3-PANE TRANSOM

UNIT SIZE	"A"	"B"
3/0	12-5/64"	24-3/64"



GRILLE BAR LOCATIONS, 4-PANE TRANSOM

UNIT SIZE	"A"	"B"	"C"
6/0	18-3/8"	36-21/32"	54-15/16"
5/8	17-3/8"	34-21 32"	51-15/16"
5/4	16-3/8"	32-21/32"	48-15/16"
5/0	15-3/8"	30-21/32"	45-15/16"



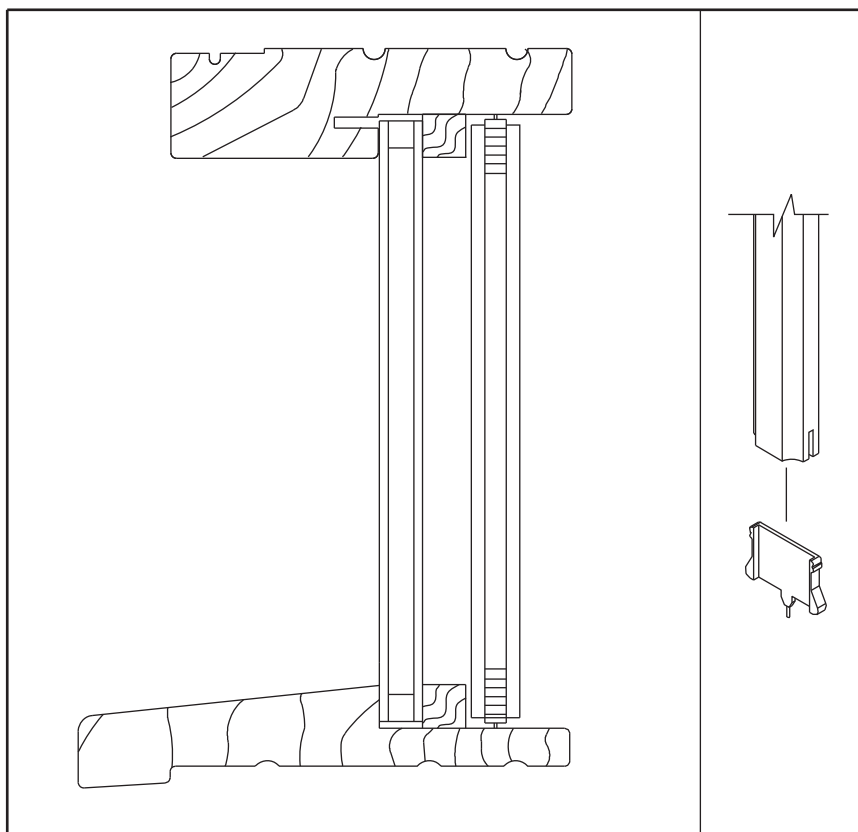
Removable/replaceable grille is standard in elliptical (clear) transoms and is factory installed.

14 **INSTALL GRILLE BARS ON RECTANGULAR TRANSOMS.**

Plastic Slide and Nail Installation

Locate each grille to align nail of each plastic slide with mark.

Using the plastic slides, press attached nail at each end of grille firmly into sill and transom head.



Warning : Modification or machining of this product can release wood dust, a substance know to the State of California to cause cancer.