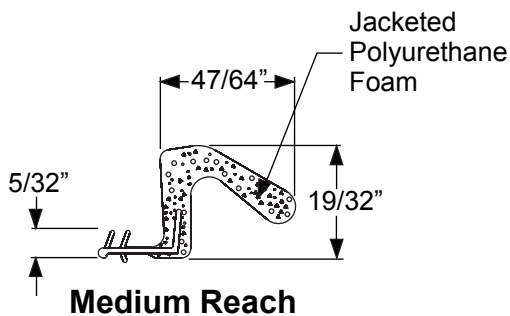
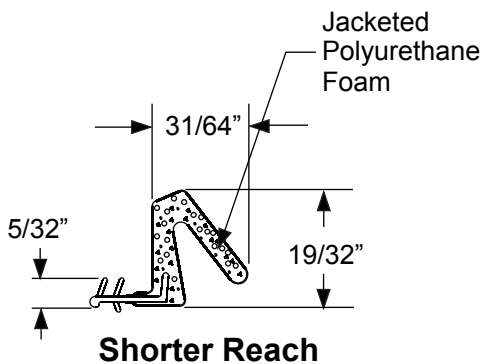
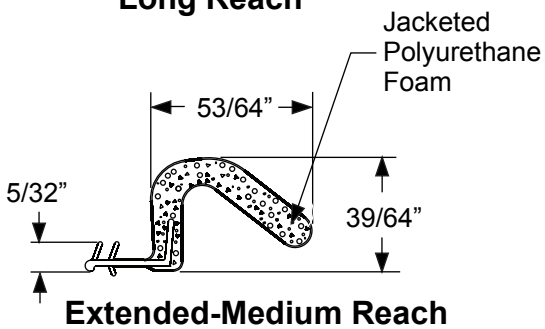
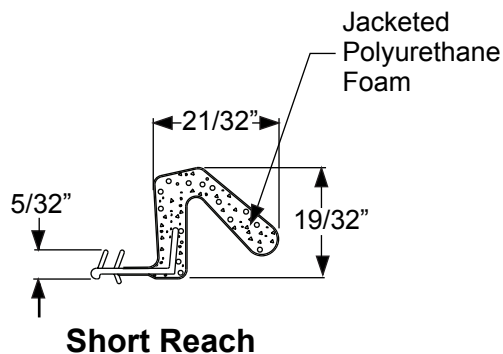
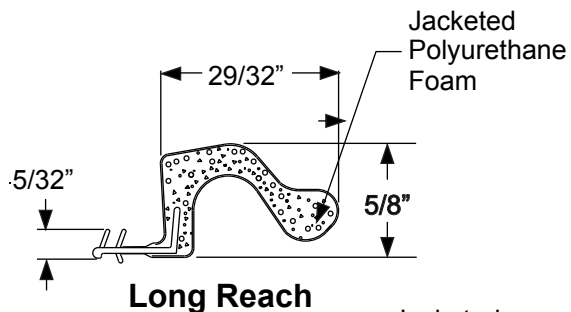


Weatherstrip.....9.3  
Door Bottoms.....9.4  
Door Bottoms - Sidelites.....9.5

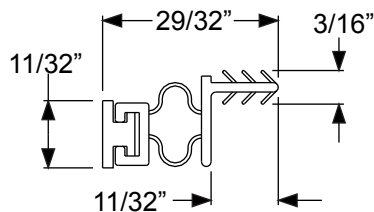
Weatherstrip  
and Door  
Bottoms

Weatherstrip  
and Door  
Bottoms

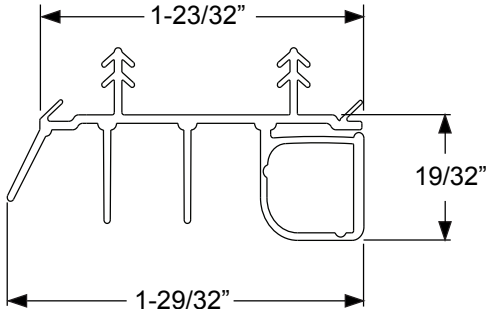


Weatherstrip  
and Door  
Bottoms

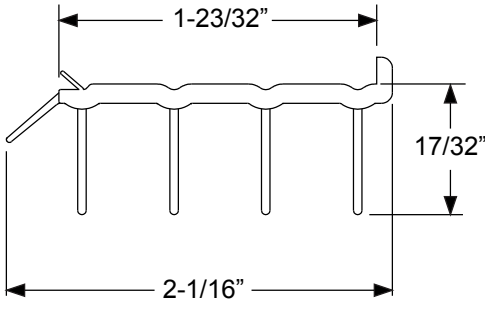
**Magnetic - Barbed**



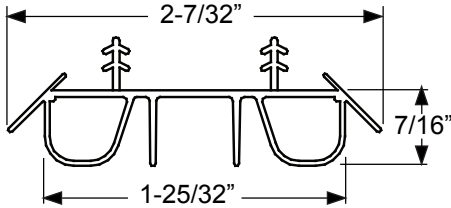
**Door Bottoms**



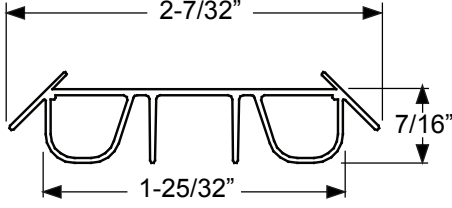
**Single Bulb  
Kerf-Applied Door Bottom**



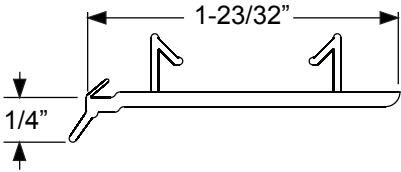
**Sweep/Replacement  
Door Bottom**



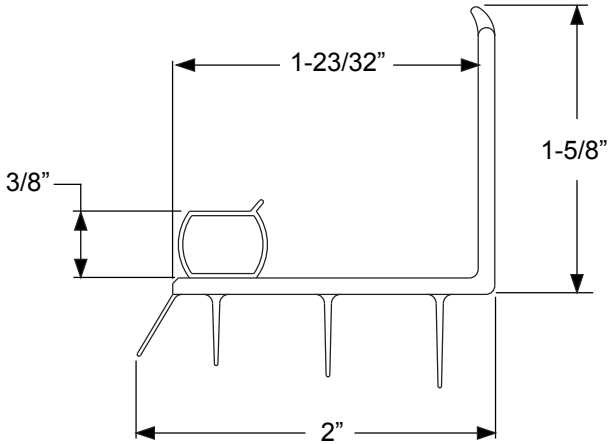
**Dual Bulb Kerf-Applied  
Door Bottom**



**Dual Bulb No Kerf  
Door Bottom**

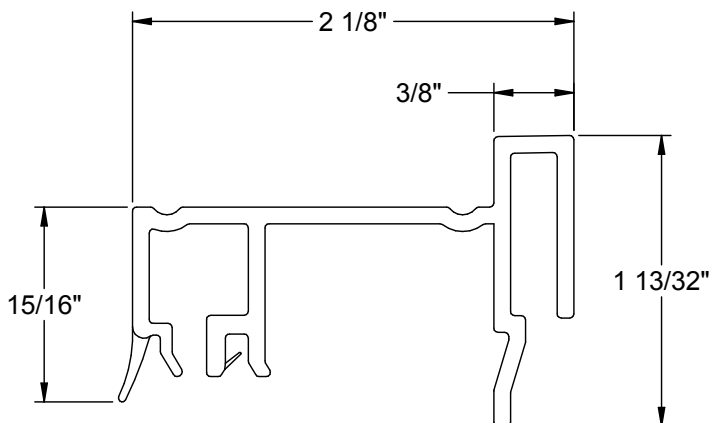


**Outswing Kerf-Applied  
Door Bottom**



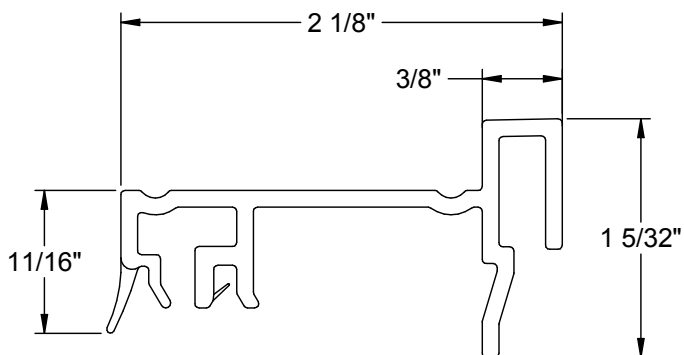
**Adjustable Door Bottom  
for Steel Edge**

Weatherstrip  
and Door  
Bottoms



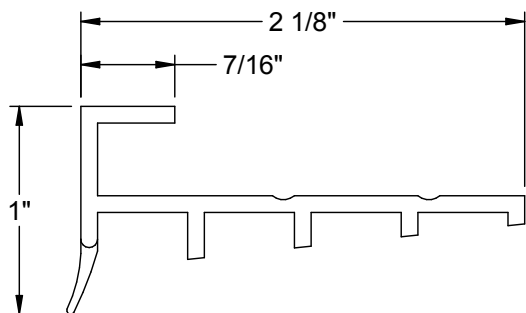
| Slab Size | Length |
|-----------|--------|
| 2/0       | 23.977 |
| 2/4       | 27.977 |
| 2/6       | 29.977 |
| 2/8       | 31.977 |
| 2/10      | 33.977 |
| 3/0       | 35.977 |
| 3/6       | 41.977 |

**Inswing Sidelite Seat for U1 Door Slabs**



| Slab Size | Length |
|-----------|--------|
| 10"       | 9.952  |
| 12"       | 11.952 |
| 14"       | 13.952 |

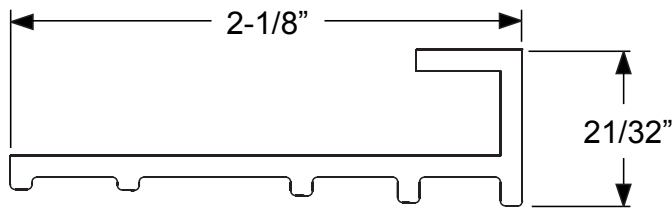
**Inswing Sidelite Seat for Standard Sidelite Slabs**



| Slab Size | Length |
|-----------|--------|
| 10"       | 9.938  |
| 12"       | 11.938 |
| 14"       | 13.938 |
| 2/0       | 23.977 |
| 2/4       | 27.977 |
| 2/6       | 29.977 |
| 2/8       | 31.977 |
| 2/10      | 33.977 |
| 3/0       | 35.977 |
| 3/6       | 41.977 |

**Inactive Panel Door Bottom - Composite Outswing Sill**

Weatherstrip  
and Door  
Bottoms



**Sidelite Door Bottom -  
Aluminum Outswing Sill**

| Slab Size | Length |
|-----------|--------|
| 10"       | 9.938  |
| 12"       | 11.938 |
| 14"       | 13.938 |
| 2/0       | 23.939 |
| 2/4       | 27.969 |
| 2/6       | 29.969 |
| 2/8       | 31.969 |
| 2/10      | 33.969 |
| 3/0       | 35.969 |
| 3/6       | 41.969 |