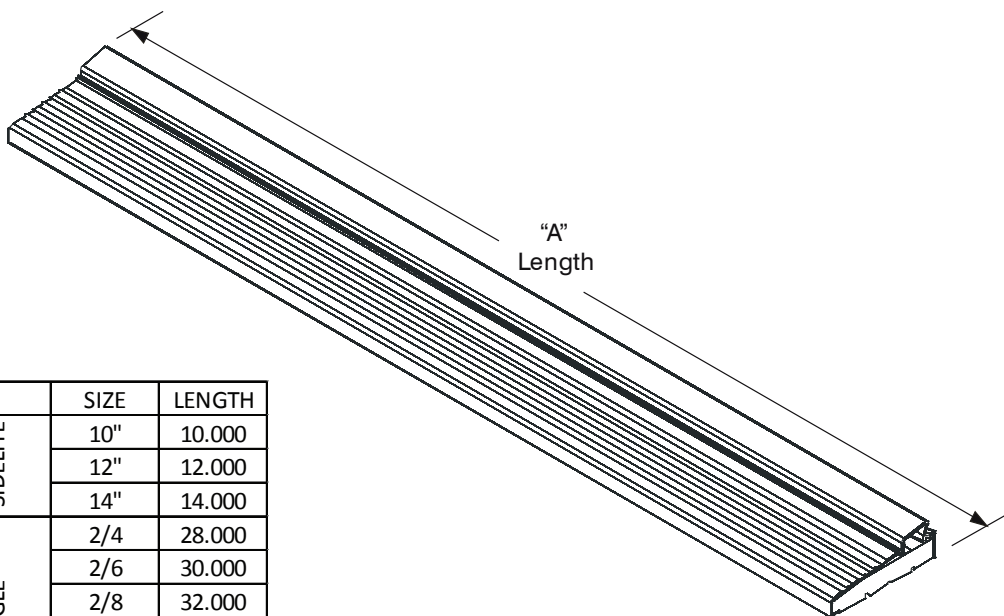
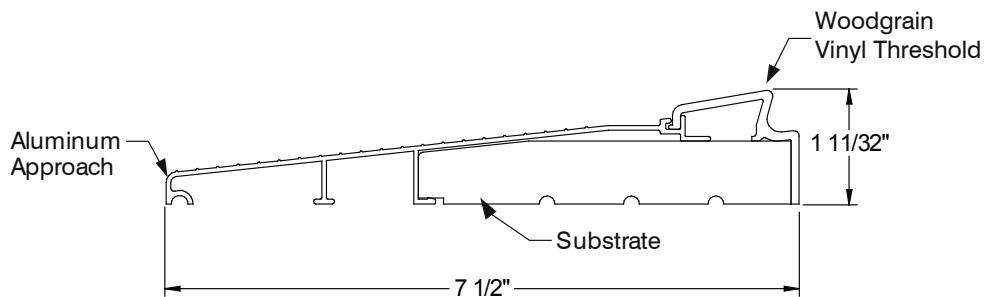
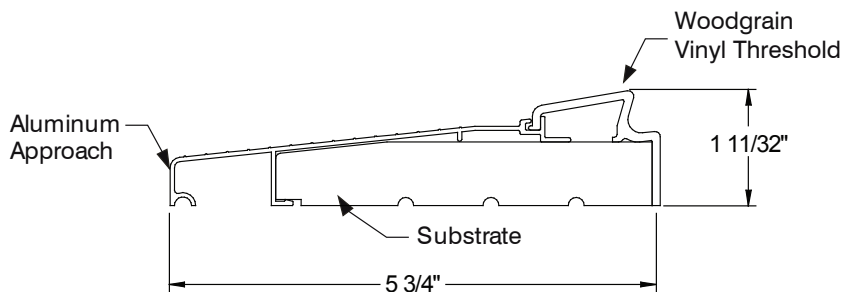
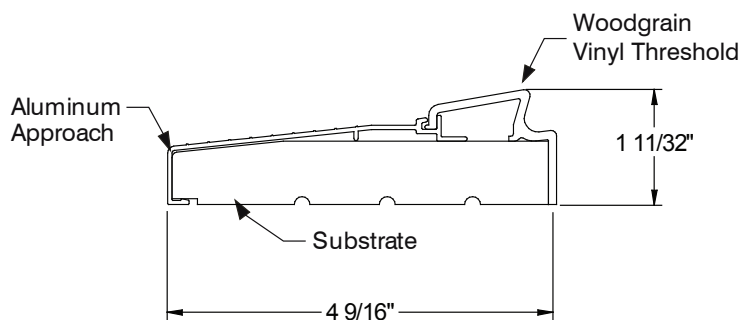


Basic Fixed Sill	8.3
Moderate Climate Sill	8.4
Composite/Hardwood Inswing Adjustable Sill	8.5
Composite/Hardwood Inswing Adjustable Sill Extenders	8.8
Basic Composite Inswing Adjustable Sill	8.9
Basic Composite Inswing Adjustable Sill Extenders	8.10
Composite Outswing Sill	8.11
Outswing Sill - Thermal Break.....	8.13
Outswing Sill - No Thermal Break.....	8.14
Public Access Sill - Thermal Break.....	8.15
Public Access Sill - No Thermal Break.....	8.16
Adjusta-Fit® 2 Inswing Sill	8.17
Adjusta-Fit® 2 Sill Extenders	8.18
Adjusta-Fit® 2 Public Access Sill.....	8.19
Basic Fixed/Moderate Climate Sill Cover	8.20
Inswing Adjustable Sill Cover	8.21
Outswing Sill Cover.....	8.22
Sill End Seal Pads	8.23

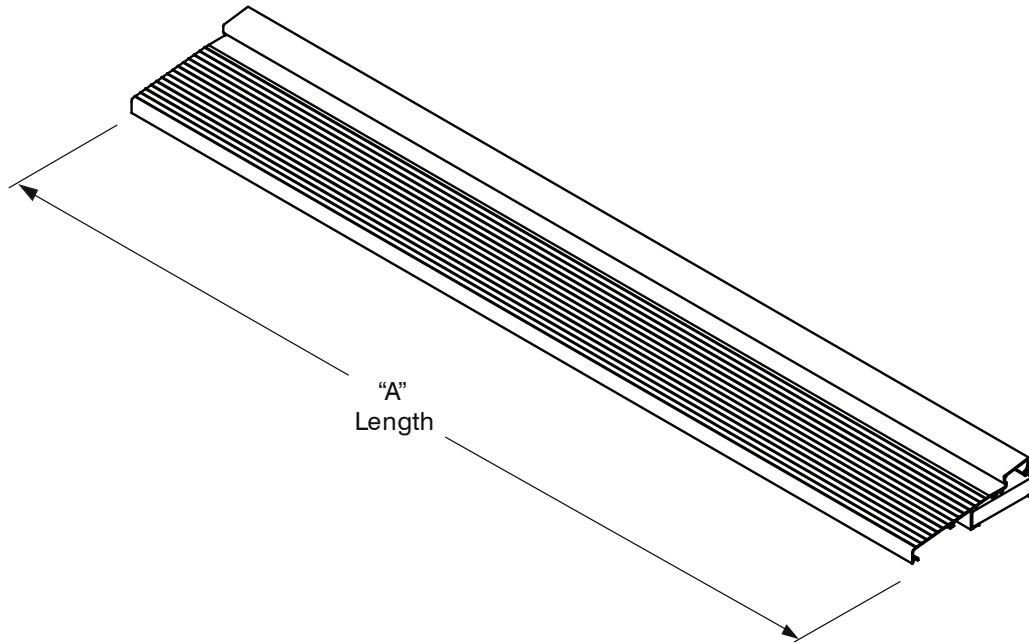
Sills



	SIZE	LENGTH
SIDELITE	10"	10.000
	12"	12.000
	14"	14.000
SINGLE	2/4	28.000
	2/6	30.000
	2/8	32.000
	2/10	34.000
	3/0	36.000
	3/6	40.000
FRENCH (7/8" ASTRAGAL)	4/8	56.718
	5/0	60.718
	5/4	64.718
	6/0	72.718

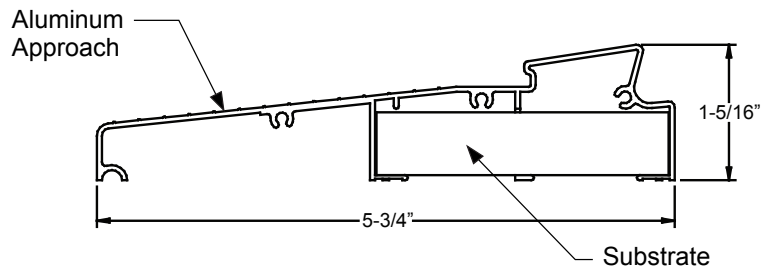


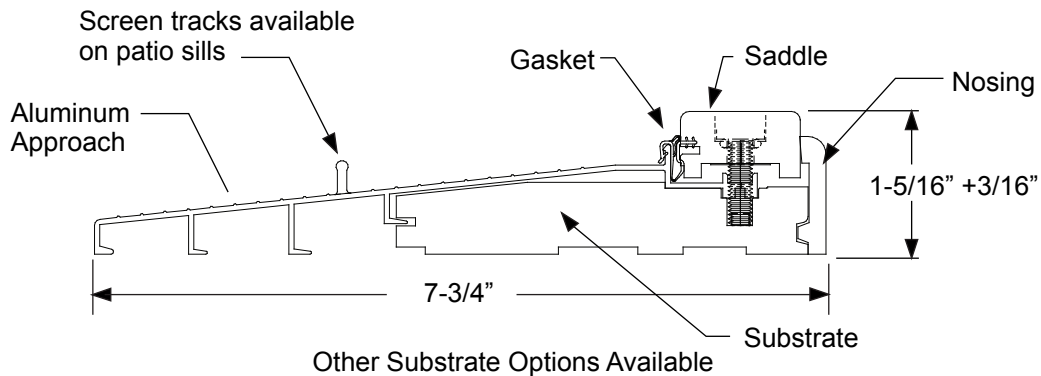
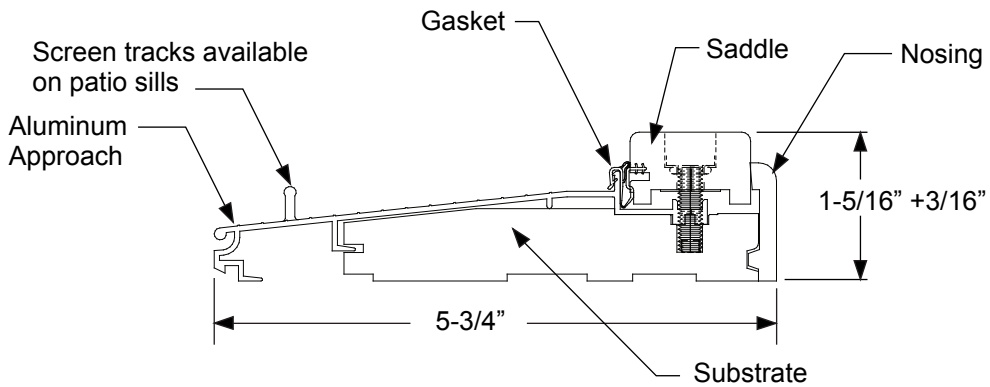
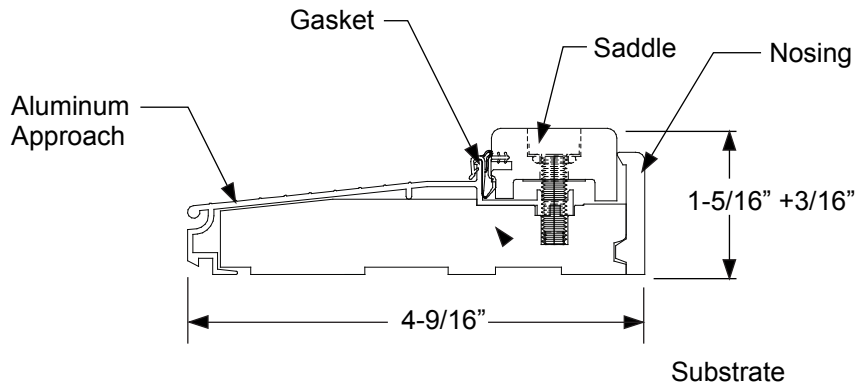
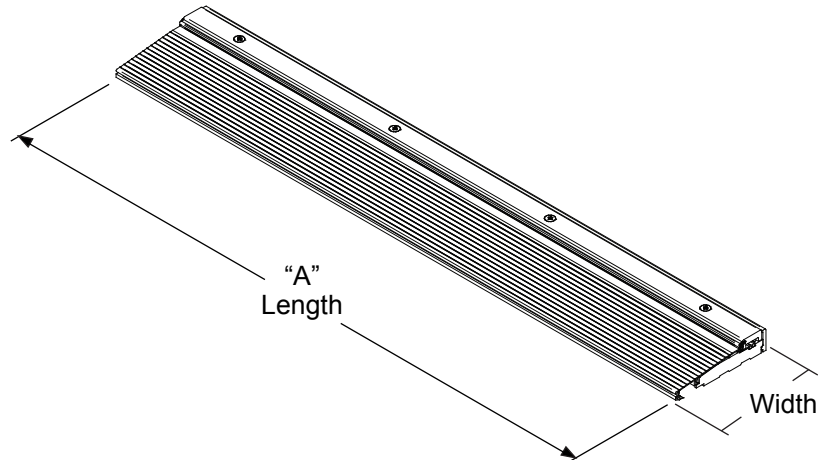
Sills



Sills

	SIZE	"A" OVERALL LENGTH
SINGLE	2/4 DOOR	28.000"
	2/6 DOOR	30.000"
	2/8 DOOR	32.000"
	2/10 DOOR	34.000"
	3/0 DOOR	36.000"
	3/6 DOOR	42.000"
FRENCH	4/8 FRENCH WITH 7/8" ASTRAGAL	56.718"
	5/0 FRENCH WITH 7/8" ASTRAGAL	60.718"
	5/4 FRENCH WITH 7/8" ASTRAGAL	64.718"
	5/8 FRENCH WITH 7/8" ASTRAGAL	68.718"
	6/0 FRENCH WITH 7/8" ASTRAGAL	72.718"
	7/0 FRENCH WITH 7/8" ASTRAGAL	84.718"





Sills

Composite/Hardwood Inswing Adjustable Sill

		LENGTHS	"A"		
SINGLE	-	2/4	28.000		
		2/6	30.000		
		2/8	32.000		
		2/10	34.000		
		3/0	36.000		
		3/6	42.000		
FRENCH (7/8" ASTRAGAL)	-	4/8	56.718		
		5/0	60.718		
		5/4	64.718		
		5/8	68.718		
		6/0	72.718		
		7/0	84.718		
DOUBLE	STANDARD MULLION	4/8	57.000		
		5/0	61.000		
		5/4	65.000		
		5/8	69.000		
		6/0	73.000		
		7/0	86.000		
TRIPLE	STANDARD MULLION	7/6	92.000		
		8/0	98.000		
		8/6	104.000		
		9/0	110.000		
		2/4 W/1 10"	39.000		
		2/4 W/1 12"	41.000		
SINGLE W/ 1 SIDELITE	STANDARD MULLION	2/4 W/1 14"	43.000		
		2/6 W/1 10"	41.000		
		2/6 W/1 12"	43.000		
		2/6 W/1 14"	45.000		
		2/8 W/1 10"	43.000		
		2/8 W/1 12"	45.000		
		2/8 W/1 14"	47.000		
		2/10 W/1 10"	45.000		
		2/10 W/1 12"	47.000		
		2/10 W/1 14"	49.000		
		3/0 W/1 10"	47.000		
		3/0 W/1 12"	49.000		
		3/0 W/1 14"	51.000		
		3/6 W/1 10"	53.000		
		3/6 W/1 12"	55.000		
		3/6 W/1 14"	57.000		
		SINGLE W/ 2 SIDELITES	STANDARD MULLION	2/4 W/2 10"	50.000
				2/4 W/2 12"	54.000
				2/4 W/2 14"	58.000
				2/6 W/2 10"	52.000
				2/6 W/2 12"	56.000
2/6 W/2 14"	60.000				
2/8 W/2 10"	54.000				
2/8 W/2 12"	58.000				
2/8 W/2 14"	62.000				
2/10 W/2 10"	56.000				
2/10 W/2 12"	60.000				
2/10 W/2 14"	64.000				
3/0 W/2 10"	58.000				
3/0 W/2 12"	62.000				
3/0 W/2 14"	66.000				
3/6 W/2 10"	64.000				
3/6 W/2 12"	68.000				
3/6 W/2 14"	72.000				

		LENGTHS	"A"		
DOUBLE	WIDE MULLION	4/8	57.500		
		5/0	61.500		
		5/4	65.500		
		5/8	69.500		
		6/0	73.500		
		7/0	87.000		
TRIPLE	WIDE MULLION	7/6	93.000		
		8/0	99.000		
		8/6	105.000		
		9/0	111.000		
		2/4 W/1 10"	39.500		
		2/4 W/1 12"	41.500		
SINGLE W/ 1 SIDELITE	WIDE MULLION	2/4 W/1 14"	43.500		
		2/6 W/1 10"	41.500		
		2/6 W/1 12"	43.500		
		2/6 W/1 14"	45.500		
		2/8 W/1 10"	43.500		
		2/8 W/1 12"	45.500		
		2/8 W/1 14"	47.500		
		2/10 W/1 10"	45.500		
		2/10 W/1 12"	47.500		
		2/10 W/1 14"	49.500		
		3/0 W/1 10"	47.500		
		3/0 W/1 12"	49.500		
		3/0 W/1 14"	51.500		
		3/6 W/1 10"	53.500		
		3/6 W/1 12"	55.500		
		3/6 W/1 14"	57.500		
		SINGLE W/ 2 SIDELITES	WIDE MULLION	2/4 W/2 10"	51.000
				2/4 W/2 12"	55.000
				2/4 W/2 14"	59.000
				2/6 W/2 10"	53.000
				2/6 W/2 12"	57.000
2/6 W/2 14"	61.000				
2/8 W/2 10"	55.000				
2/8 W/2 12"	59.000				
2/8 W/2 14"	63.000				
2/10 W/2 10"	57.000				
2/10 W/2 12"	61.000				
2/10 W/2 14"	65.000				
3/0 W/2 10"	59.000				
3/0 W/2 12"	63.000				
3/0 W/2 14"	67.000				
3/6 W/2 10"	65.000				
3/6 W/2 12"	69.000				
3/6 W/2 14"	73.000				

		LENGTHS	"A"
FRENCH W/ 2 SIDELITES	WIDE MULLION	6/0 W/2-10"	95.718
		6/0 W/2-12"	99.718
		6/0 W/2-14"	103.718
SINGLE W/ 2 VENTING SIDELITES	WIDE MULLION	2/4 W/2-12"	55.408
		2/4 W/2-14"	59.408
		2/6 W/2-12"	57.408
		2/6 W/2-14"	61.408
		2/8 W/2-12"	59.408
		2/8 W/2-14"	63.408
FRENCH W/ 2 VENTING SIDELITES	WIDE MULLION	2/10 W/2-12"	61.408
		2/10 W/2-14"	65.408
		3/0 W/2-12"	63.408
		3/0 W/2-14"	67.408
		4/8 W/2-12"	84.126
		4/8 W/2-14"	88.126
SINGLE W/ 2 VENTING SIDELITES	WIDE MULLION	5/0 W/2-12"	88.126
		5/0 W/2-14"	92.126
		5/4 W/2-12"	92.126
		5/4 W/2-14"	96.126
		5/8 W/2-12"	96.126
		5/8 W/2-14"	100.126
FRENCH W/ 2 VENTING SIDELITES	WIDE MULLION	6/0 W/2-12"	100.126
		6/0 W/2-14"	104.126

Sills

LENGTHS		"A"
SINGLE W/ 1 SIDELITE SPREAD MULLION	3/0 W/1 10" SPREAD 0.00"	47.500
	3/0 W/1 12" SPREAD 0.00"	49.500
	3/0 W/1 14" SPREAD 0.00"	51.500
	3/0 W/1 10" SPREAD 0.25"	47.750
	3/0 W/1 12" SPREAD 0.25"	49.750
	3/0 W/1 14" SPREAD 0.25"	51.750
	3/0 W/1 10" SPREAD 0.50"	48.000
	3/0 W/1 12" SPREAD 0.50"	50.000
	3/0 W/1 14" SPREAD 0.50"	52.000
	3/0 W/1 10" SPREAD 0.75"	48.250
	3/0 W/1 12" SPREAD 0.75"	50.250
	3/0 W/1 14" SPREAD 0.75"	52.250
	3/0 W/1 10" SPREAD 1.00"	48.500
	3/0 W/1 12" SPREAD 1.00"	50.500
	3/0 W/1 14" SPREAD 1.00"	52.500
	3/0 W/1 10" SPREAD 1.25"	48.750
	3/0 W/1 12" SPREAD 1.25"	50.750
	3/0 W/1 14" SPREAD 1.25"	52.750
	3/0 W/1 10" SPREAD 1.50"	49.000
	3/0 W/1 12" SPREAD 1.50"	51.000
	3/0 W/1 14" SPREAD 1.50"	53.000
	3/0 W/1 10" SPREAD 1.75"	49.250
	3/0 W/1 12" SPREAD 1.75"	51.250
	3/0 W/1 14" SPREAD 1.75"	53.250
	3/0 W/1 10" SPREAD 2.00"	49.500
	3/0 W/1 12" SPREAD 2.00"	51.500
	3/0 W/1 14" SPREAD 2.00"	53.500
	3/0 W/1 10" SPREAD 2.25"	49.750
	3/0 W/1 12" SPREAD 2.25"	51.750
	3/0 W/1 14" SPREAD 2.25"	53.750
3/0 W/1 10" SPREAD 2.50"	50.000	
3/0 W/1 12" SPREAD 2.50"	52.000	
3/0 W/1 14" SPREAD 2.50"	54.000	
3/0 W/1 10" SPREAD 2.75"	50.250	
3/0 W/1 12" SPREAD 2.75"	52.250	
3/0 W/1 14" SPREAD 2.75"	54.250	
3/0 W/1 10" SPREAD 3.00"	50.500	
3/0 W/1 12" SPREAD 3.00"	52.500	
3/0 W/1 14" SPREAD 3.00"	54.500	

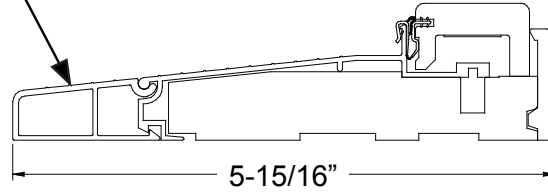
LENGTHS		"A"
SINGLE W/ 2 SIDELITES SPREAD MULLION	3/0 W/2 10" SPREAD 0.00"	59.000
	3/0 W/2 12" SPREAD 0.00"	63.000
	3/0 W/2 14" SPREAD 0.00"	67.000
	3/0 W/2 10" SPREAD 0.25"	59.500
	3/0 W/2 12" SPREAD 0.25"	63.500
	3/0 W/2 14" SPREAD 0.25"	67.500
	3/0 W/2 10" SPREAD 0.50"	60.000
	3/0 W/2 12" SPREAD 0.50"	64.000
	3/0 W/2 14" SPREAD 0.50"	68.000
	3/0 W/2 10" SPREAD 0.75"	60.500
	3/0 W/2 12" SPREAD 0.75"	64.500
	3/0 W/2 14" SPREAD 0.75"	68.500
	3/0 W/2 10" SPREAD 1.00"	61.000
	3/0 W/2 12" SPREAD 1.00"	65.000
	3/0 W/2 14" SPREAD 1.00"	69.000
	3/0 W/2 10" SPREAD 1.25"	61.500
	3/0 W/2 12" SPREAD 1.25"	65.500
	3/0 W/2 14" SPREAD 1.25"	69.500
	3/0 W/2 10" SPREAD 1.50"	62.000
	3/0 W/2 12" SPREAD 1.50"	66.000
	3/0 W/2 14" SPREAD 1.50"	70.000
	3/0 W/2 10" SPREAD 1.75"	62.500
	3/0 W/2 12" SPREAD 1.75"	66.500
	3/0 W/2 14" SPREAD 1.75"	70.500
	3/0 W/2 10" SPREAD 2.00"	63.000
	3/0 W/2 12" SPREAD 2.00"	67.000
	3/0 W/2 14" SPREAD 2.00"	71.000
	3/0 W/2 10" SPREAD 2.25"	63.500
	3/0 W/2 12" SPREAD 2.25"	67.500
	3/0 W/2 14" SPREAD 2.25"	71.500
3/0 W/2 10" SPREAD 2.50"	64.000	
3/0 W/2 12" SPREAD 2.50"	68.000	
3/0 W/2 14" SPREAD 2.50"	72.000	
3/0 W/2 10" SPREAD 2.75"	64.500	
3/0 W/2 12" SPREAD 2.75"	68.500	
3/0 W/2 14" SPREAD 2.75"	72.500	
3/0 W/2 10" SPREAD 3.00"	65.000	
3/0 W/2 12" SPREAD 3.00"	69.000	
3/0 W/2 14" SPREAD 3.00"	73.000	

*NOTE: Spread mullion options only available with Composite Inswing Adjustable Sill.

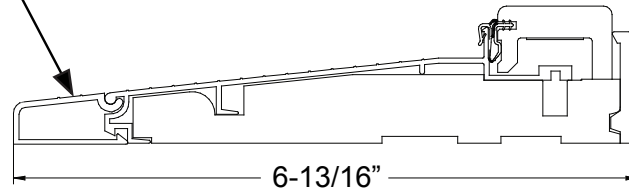


Composite/Hardwood Inswing Adjustable Sill Extenders

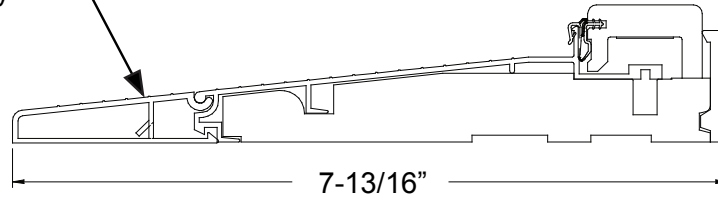
1-3/8" Extender
for 4-9/16" sill only.



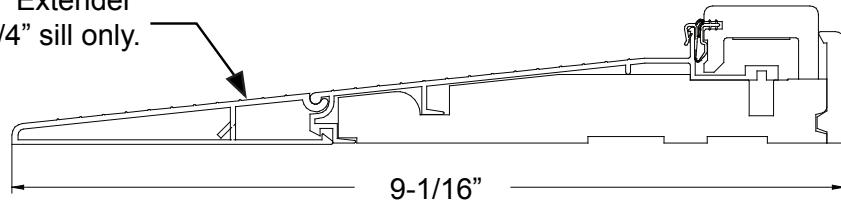
1" Extender
for 5-3/4" sill only.



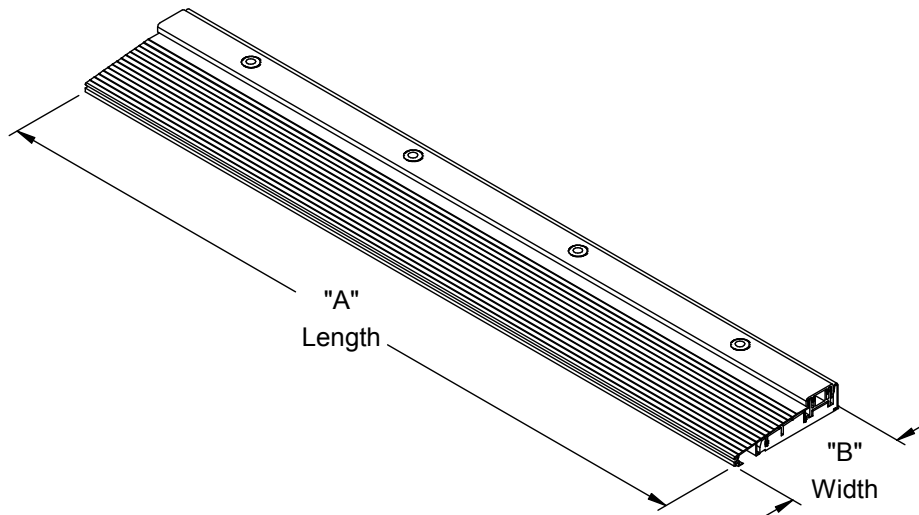
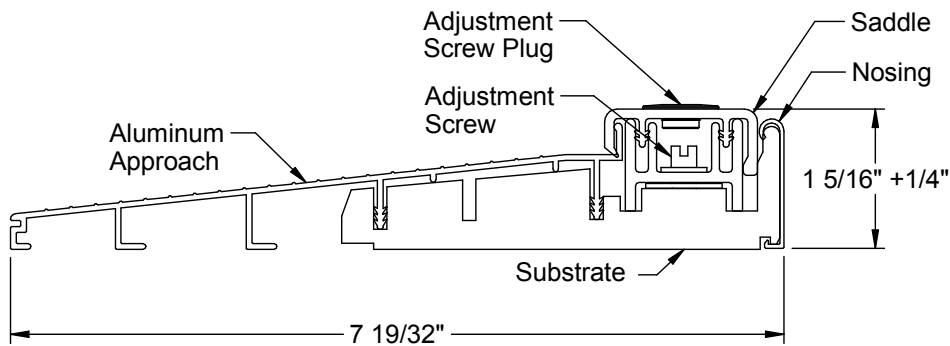
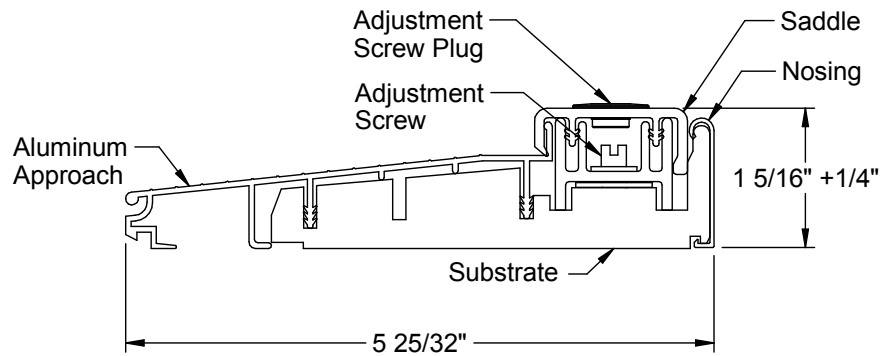
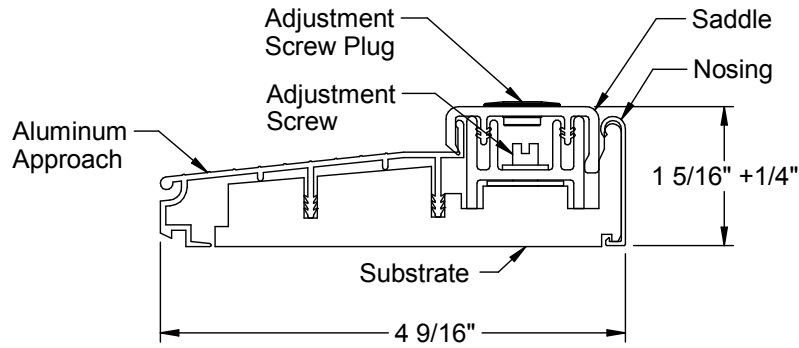
2" Extender
for 5-3/4" sill only.



3-1/4" Extender
for 5-3/4" sill only.



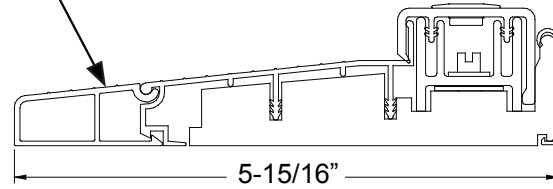
Sills



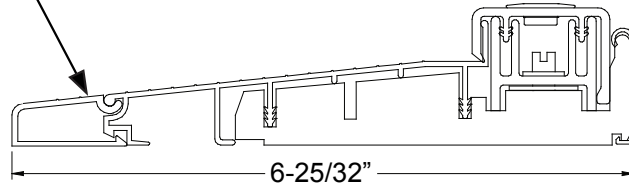
Sills

Basic Composite Inswing Adjustable Sill Extenders

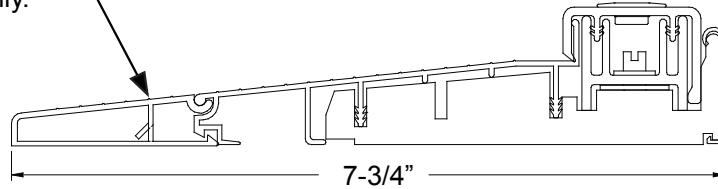
1-3/8" Extender
for 4-9/16" sill only.



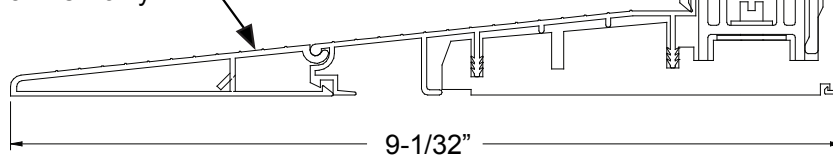
1" Extender
for 5-3/4" sill only.



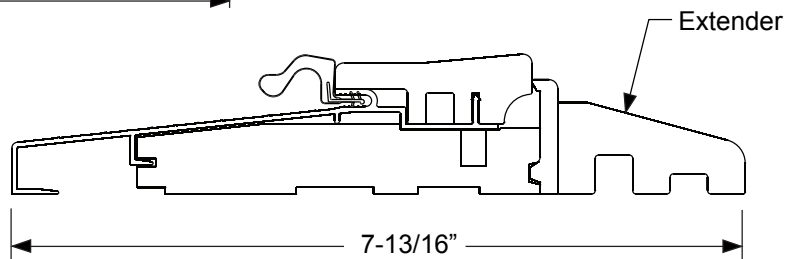
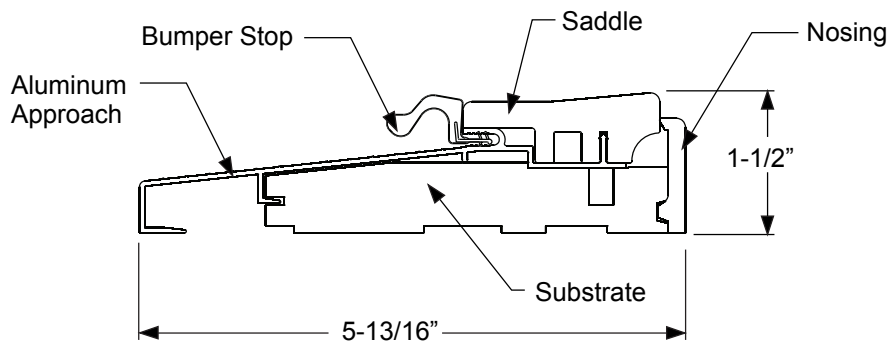
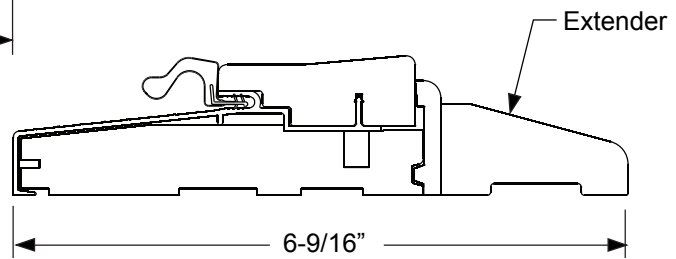
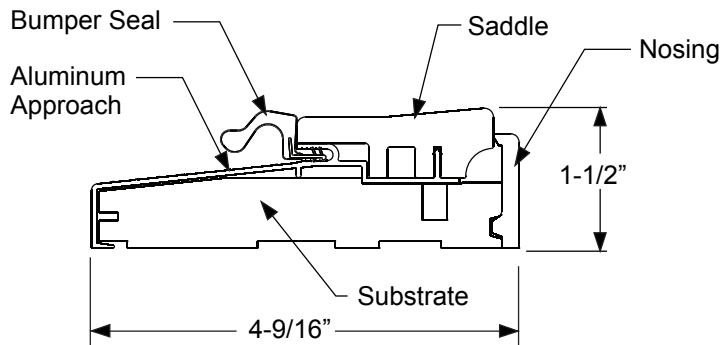
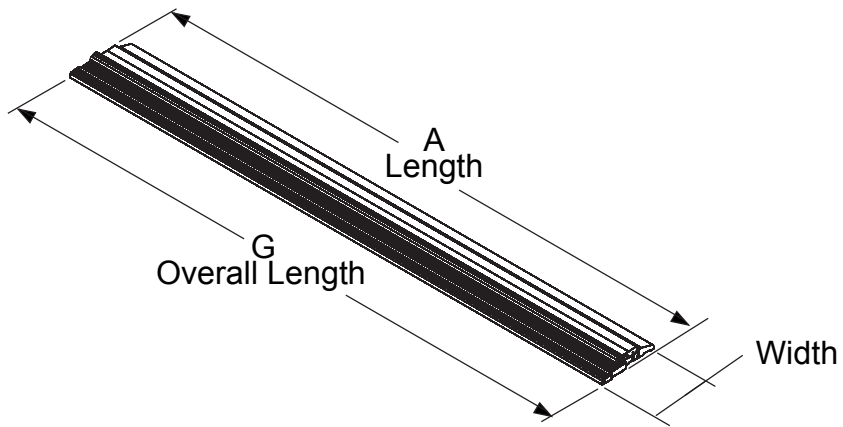
2" Extender
for 5-3/4" sill only.



3-1/4" Extender
for 5-3/4" sill only.



Sills



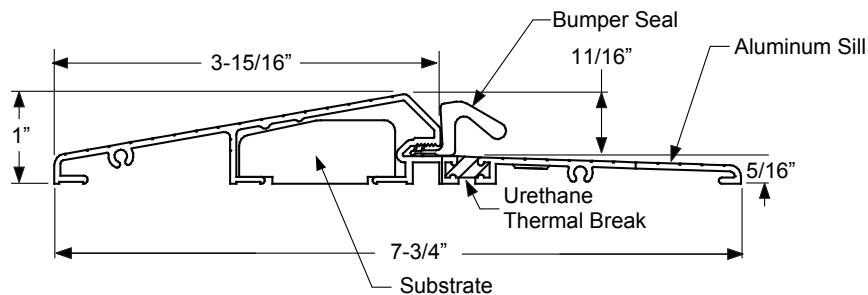
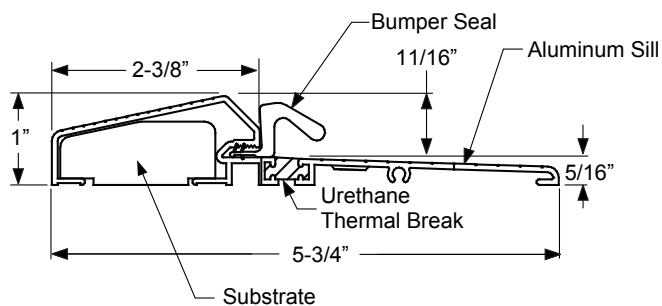
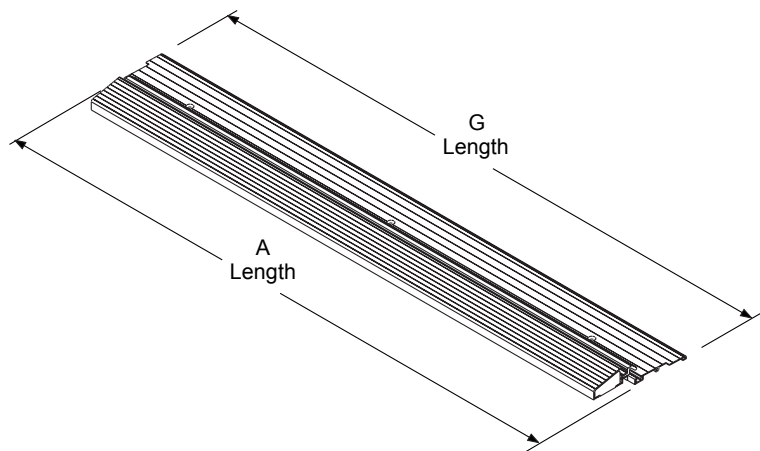
Sills

Composite Outswing Sill

		LENGTHS	"A" SILL LENGTH	"G" OVERALL LENGTH
SIDE LITES	-	10" SIDELITE	10.000	10.470
		12" SIDELITE	12.000	12.470
		14" SIDELITE	14.000	14.470
SINGLE	-	2/4 DOOR	28.000	28.470
		2/6 DOOR	30.000	30.470
		2/8 DOOR	32.000	32.470
		2/10 DOOR	34.000	34.470
		3/0 DOOR	36.000	36.470
		3/6 DOOR	42.000	42.470
		FRENCH	7/8" ASTRAGAL	4/0 DOUBLE 7/8" ASTRAGAL
4/8 DOUBLE 7/8" ASTRAGAL	56.718			57.188
5/0 DOUBLE 7/8" ASTRAGAL	60.718			61.188
5/4 DOUBLE 7/8" ASTRAGAL	64.718			65.188
5/8 DOUBLE 7/8" ASTRAGAL	68.718			69.188
6/0 DOUBLE 7/8" ASTRAGAL	72.718			73.188
7/0 DOUBLE 7/8" ASTRAGAL	84.718			85.188
TRIPLE	STANDARD MULLION	7/0 TRIPLE PATIO	86.000	86.470
		7/6 TRIPLE PATIO	92.000	92.470
		8/0 TRIPLE PATIO	98.000	98.470
		8/6 TRIPLE PATIO	104.000	104.470
		9/0 TRIPLE PATIO	110.000	110.470
TRIPLE	WIDE MULLION	7/0 TRIPLE PATIO	87.000	87.470
		7/6 TRIPLE PATIO	93.000	93.470
		8/0 TRIPLE PATIO	99.000	99.470
		8/6 TRIPLE PATIO	105.000	105.470
		9/0 TRIPLE PATIO	111.000	111.470
SINGLE W/ 1 SIDELITE	STANDARD MULLION	2/4 WITH 1-10" SIDELITE	39.000	39.470
		2/4 WITH 1-12" SIDELITE	41.000	41.470
		2/4 WITH 1-14" SIDELITE	43.000	43.470
		2/6 WITH 1-10" SIDELITE	41.000	41.470
		2/6 WITH 1-12" SIDELITE	43.000	43.470
		2/6 WITH 1-14" SIDELITE	45.000	45.470
		2/8 WITH 1-10" SIDELITE	43.000	43.470
		2/8 WITH 1-12" SIDELITE	45.000	45.470
		2/8 WITH 1-14" SIDELITE	47.000	47.470
		2/10 WITH 1-10" SIDELITE	45.000	45.470
		2/10 WITH 1-12" SIDELITE	47.000	47.470
		2/10 WITH 1-14" SIDELITE	49.000	49.470
		3/0 WITH 1-10" SIDELITE	47.000	47.470
		3/0 WITH 1-12" SIDELITE	49.000	49.470
		3/0 WITH 1-14" SIDELITE	51.000	51.470
		3/6 WITH 1-10" SIDELITE	53.000	53.470
		3/6 WITH 1-12" SIDELITE	55.000	55.470
3/6 WITH 1-14" SIDELITE	57.000	57.470		

		LENGTHS	"A" SILL LENGTH	"G" OVERALL LENGTH
SINGLE W/ 1 SIDELITE	WIDE MULLION	2/4 WITH 1-10" SIDELITE	39.500	39.970
		2/4 WITH 1-12" SIDELITE	41.500	41.970
		2/4 WITH 1-14" SIDELITE	43.500	43.970
		2/6 WITH 1-10" SIDELITE	41.500	41.970
		2/6 WITH 1-12" SIDELITE	43.500	43.970
		2/6 WITH 1-14" SIDELITE	45.500	45.970
		2/8 WITH 1-10" SIDELITE	43.500	43.970
		2/8 WITH 1-12" SIDELITE	45.500	45.970
		2/8 WITH 1-14" SIDELITE	47.500	47.970
		2/10 WITH 1-10" SIDELITE	45.500	45.970
		2/10 WITH 1-12" SIDELITE	47.500	47.970
		2/10 WITH 1-14" SIDELITE	49.500	49.970
		3/0 WITH 1-10" SIDELITE	47.500	47.970
		3/0 WITH 1-12" SIDELITE	49.500	49.970
		3/0 WITH 1-14" SIDELITE	51.500	51.970
		3/6 WITH 1-10" SIDELITE	53.500	53.970
		3/6 WITH 1-12" SIDELITE	55.500	55.970
3/6 WITH 1-14" SIDELITE	57.500	57.970		
SINGLE W/ 2 SIDELITES	STANDARD MULLION	2/4 WITH 2-10" SIDELITES	50.000	50.470
		2/4 WITH 2-12" SIDELITES	54.000	54.470
		2/4 WITH 2-14" SIDELITES	58.000	58.470
		2/6 WITH 2-10" SIDELITES	52.000	52.470
		2/6 WITH 2-12" SIDELITES	56.000	56.470
		2/6 WITH 2-14" SIDELITES	60.000	60.470
		2/8 WITH 2-10" SIDELITES	54.000	54.470
		2/8 WITH 2-12" SIDELITES	58.000	58.470
		2/8 WITH 2-14" SIDELITES	62.000	62.470
		2/10 WITH 2-10" SIDELITES	56.000	56.470
		2/10 WITH 2-12" SIDELITES	60.000	60.470
		2/10 WITH 2-14" SIDELITES	64.000	64.470
		3/0 WITH 2-10" SIDELITES	58.000	58.470
		3/0 WITH 2-12" SIDELITES	62.000	62.470
		3/0 WITH 2-14" SIDELITES	66.000	66.470
		3/6 WITH 2-10" SIDELITES	64.000	64.470
		3/6 WITH 2-12" SIDELITES	68.000	68.470
3/6 WITH 2-14" SIDELITES	72.000	72.470		
SINGLE W/ 2 SIDELITES	WIDE MULLION	2/4 WITH 2-10" SIDELITES	51.000	51.470
		2/4 WITH 2-12" SIDELITES	55.000	55.470
		2/4 WITH 2-14" SIDELITES	59.000	59.470
		2/6 WITH 2-10" SIDELITES	53.000	53.470
		2/6 WITH 2-12" SIDELITES	57.000	57.470
		2/6 WITH 2-14" SIDELITES	61.000	61.470
		2/8 WITH 2-10" SIDELITES	55.000	55.470
		2/8 WITH 2-12" SIDELITES	59.000	59.470
		2/8 WITH 2-14" SIDELITES	63.000	63.470
		2/10 WITH 2-10" SIDELITES	57.000	57.470
		2/10 WITH 2-12" SIDELITES	61.000	61.470
		2/10 WITH 2-14" SIDELITES	65.000	65.470
		3/0 WITH 2-10" SIDELITES	59.000	59.470
		3/0 WITH 2-12" SIDELITES	63.000	63.470
		3/0 WITH 2-14" SIDELITES	67.000	67.470
		3/6 WITH 2-10" SIDELITES	65.000	65.470
		3/6 WITH 2-12" SIDELITES	69.000	69.470
3/6 WITH 2-14" SIDELITES	73.000	73.470		

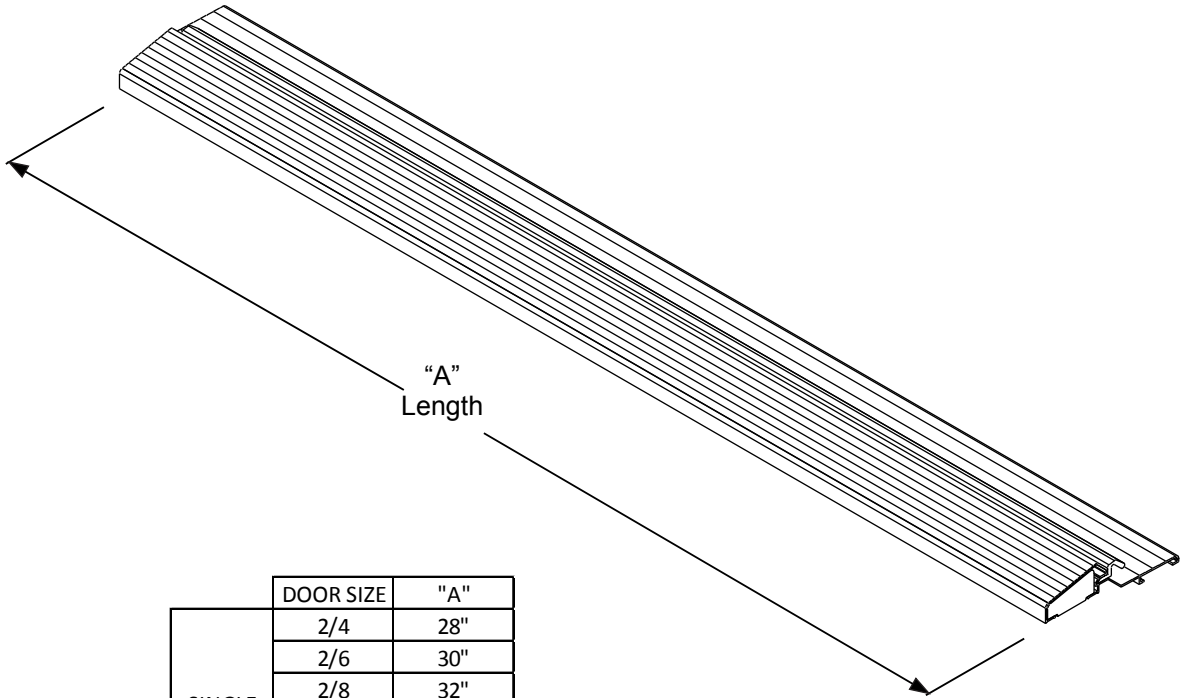
Sills



	DOOR SIZE	A	"G" (REF)	
SINGLE DOORS	2/4	28.000	28.470	
	2/6	30.000	30.470	
	2/8	32.000	32.470	
	2/10	34.000	34.470	
	3/0	36.000	36.470	
DOUBLE DOORS WITH 7/8" ASTRAGAL	3/6	42.000	42.470	
	4/8	56.718	57.188	
	5/0	60.718	61.188	
	5/4	64.718	65.188	
	5/8	68.718	69.188	
	6/0	72.718	73.188	
	7/0	84.718	85.188	
	4/8 FOR MULTI-POINT	56.718	57.188	
	5/0 FOR MULTI-POINT	60.718	61.188	
	5/4 FOR MULTI-POINT	64.718	65.188	
CONTINUOUS	5/8 FOR MULTI-POINT	68.718	69.188	
	6/0 FOR MULTI-POINT	72.718	73.188	
	UNDERSIZED	2/4 W/2-10" SIDELITES	50.000	50.470
		2/4 W/2-12" SIDELITES	54.000	54.470
		2/4 W/2-14" SIDELITES	58.000	58.470
		2/6 W/2-10" SIDELITES	52.000	52.470
		2/6 W/2-12" SIDELITES	56.000	56.470
		2/6 W/2-14" SIDELITES	60.000	60.470
		2/8 W/2-10" SIDELITES	54.000	54.470
		2/8 W/2-12" SIDELITES	58.000	58.470
		2/8 W/2-14" SIDELITES	62.000	62.470
		3/0 W/2-10" SIDELITES	58.000	58.470
	3/0 W/2-12" SIDELITES	62.000	62.470	
	3/0 W/2-14" SIDELITES	66.000	66.470	
	CONTINUOUS	2/4 W/1-10" SIDELITES	39.000	39.470
		2/4 W/1-12" SIDELITES	41.000	41.470
		2/4 W/1-14" SIDELITES	43.000	43.470
		2/6 W/1-10" SIDELITES	41.000	41.470
		2/6 W/1-12" SIDELITES	43.000	43.470
		2/6 W/1-14" SIDELITES	45.000	45.470
2/8 W/1-10" SIDELITES		43.000	43.470	
2/8 W/1-12" SIDELITES		45.000	45.470	
2/8 W/1-14" SIDELITES		47.000	47.470	
3/0 W/1-10" SIDELITES		47.000	47.470	
3/0 W/1-12" SIDELITES	49.000	49.470		
3/0 W/1-14" SIDELITES	51.000	51.470		

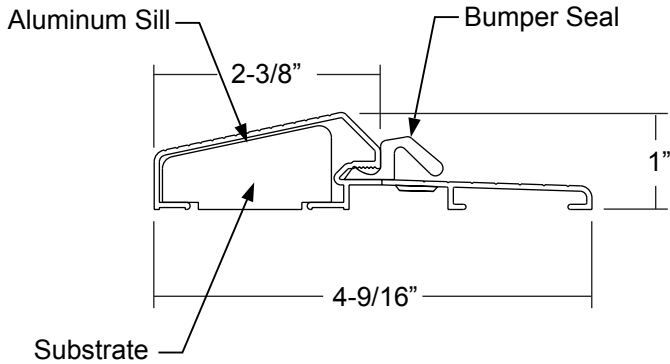
Sills

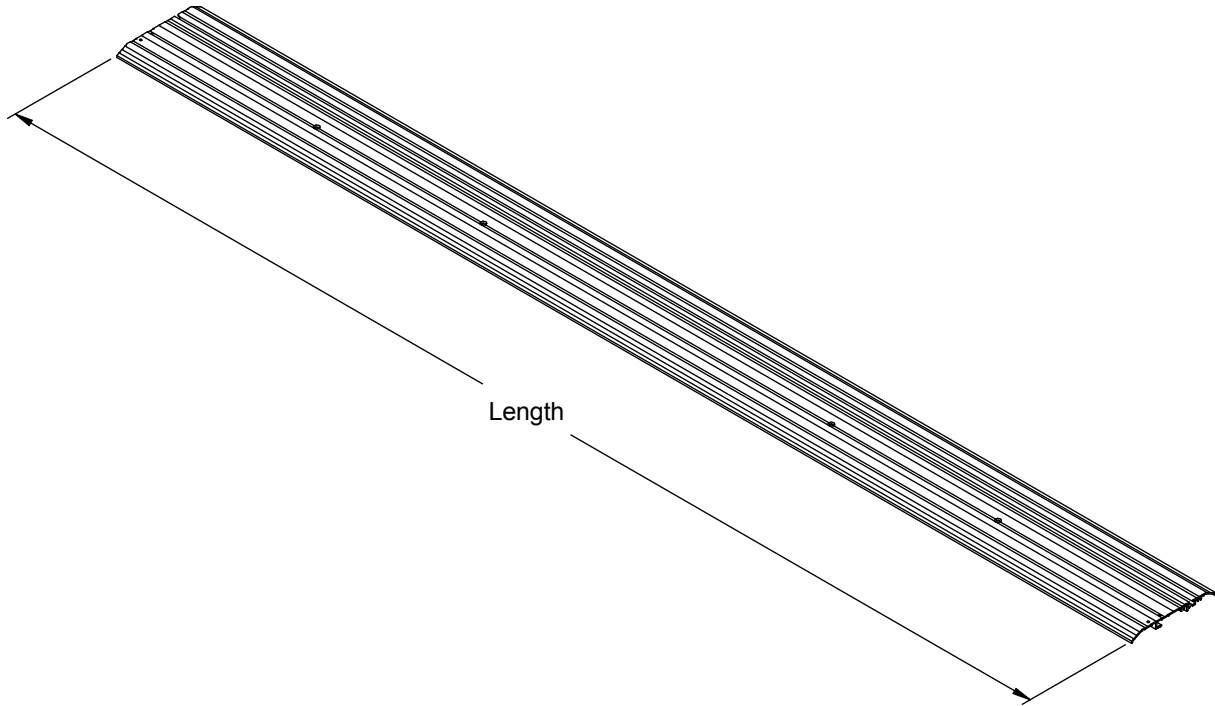
Outswing Sill - No Thermal Break



	DOOR SIZE	"A"
SINGLE	2/4	28"
	2/6	30"
	2/8	32"
	2/10	34"
	3/0	36"
	3/6	42"
FRENCH	4/8	56-23/32"
	5/0	60-23/32"
	5/4	64-23/32"
	5/8	68-23/32"
	6/0	72-23/32"
	7/0	84-23/32"

Sills

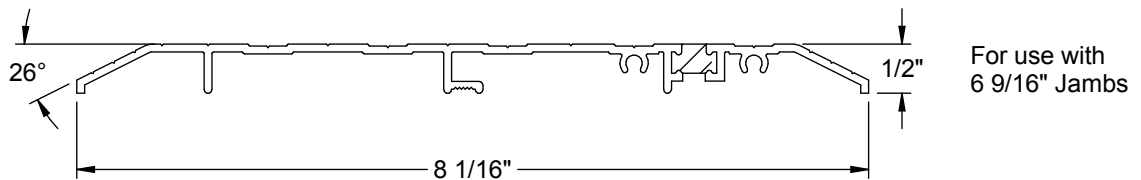
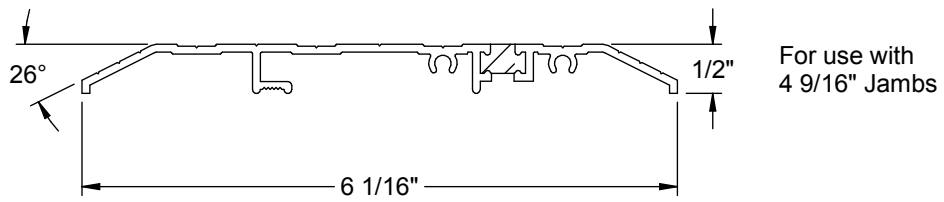




Single Units	
Size	Length
3/0	36.000"

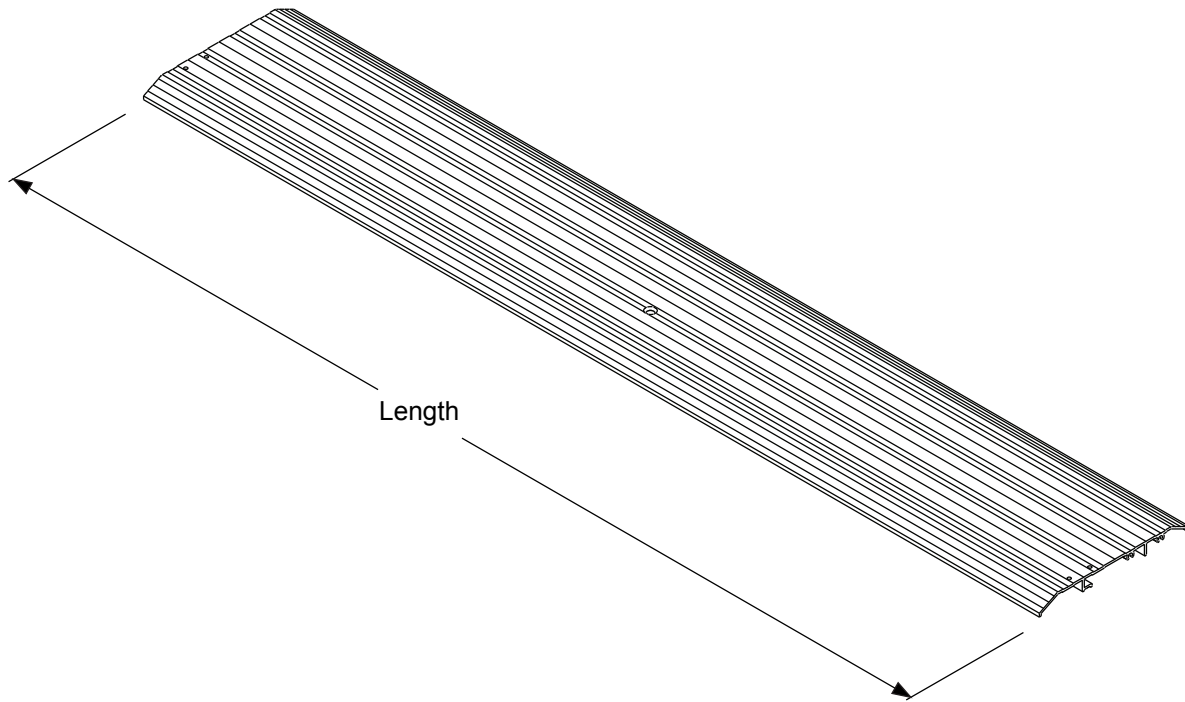
French Units	
Size	Length
6/0	72.718"

Sills



Use for both inswing and outswing applications

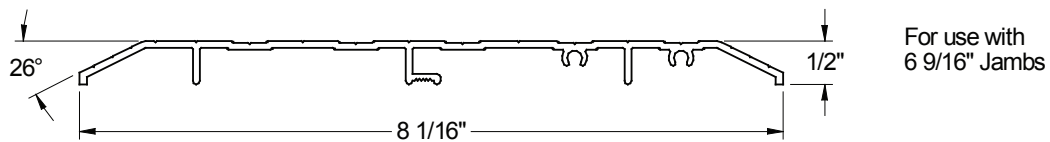
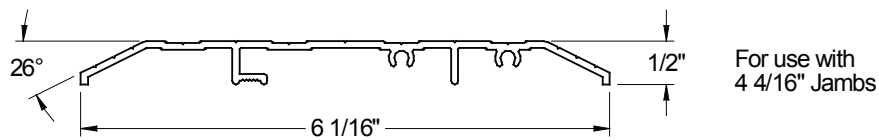
Public Access Sill - No Thermal Break



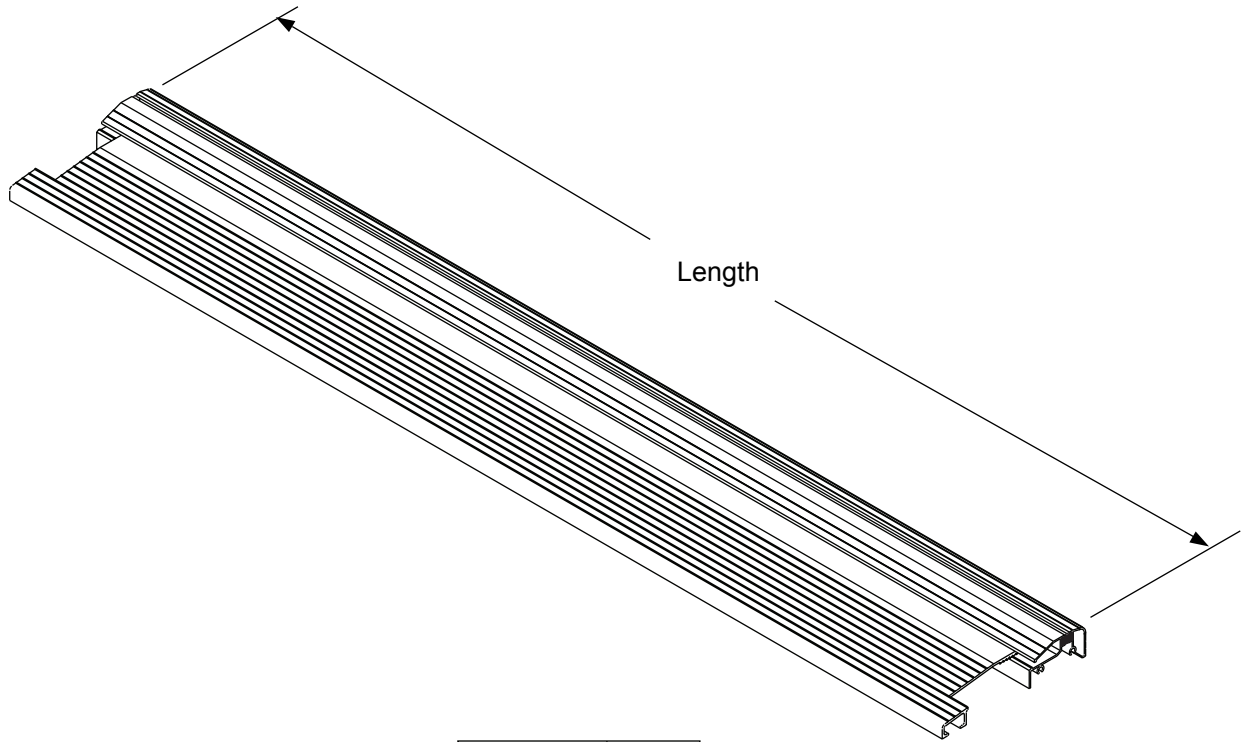
Sills

Single Units	
Size	Length
3/0	36.000"

French Units	
Size	Length
6/0	72.718"

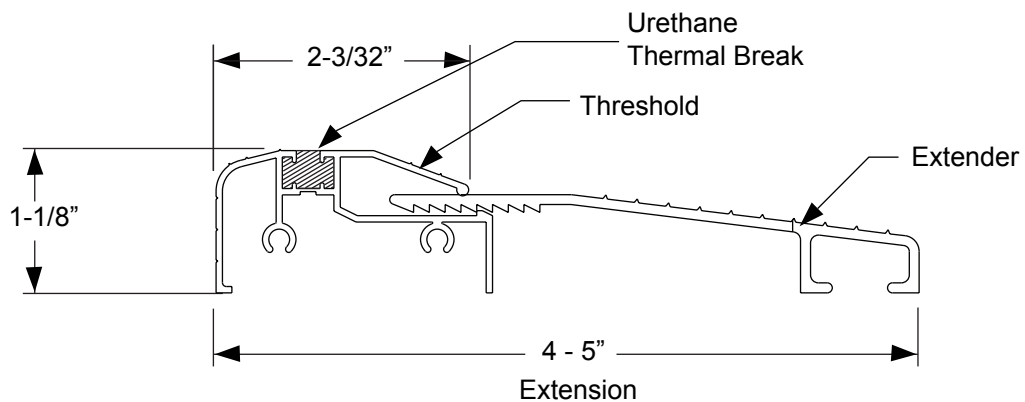


Use for both inswing and outswing applications.

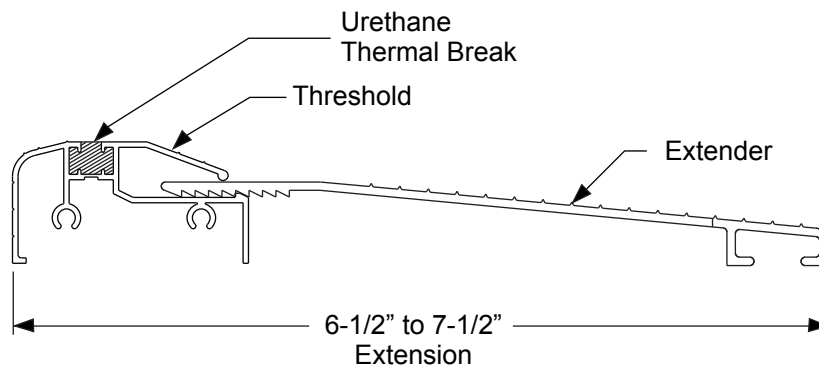
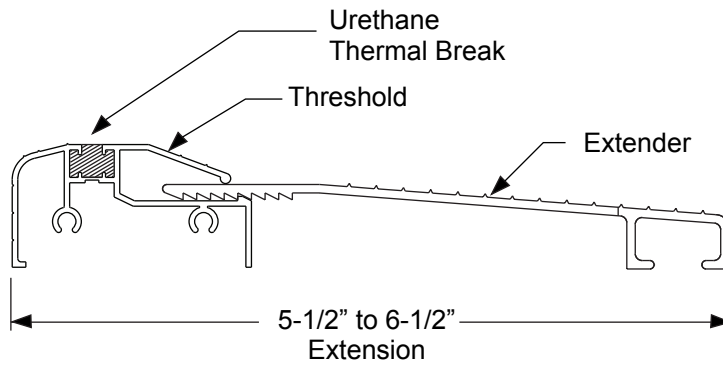
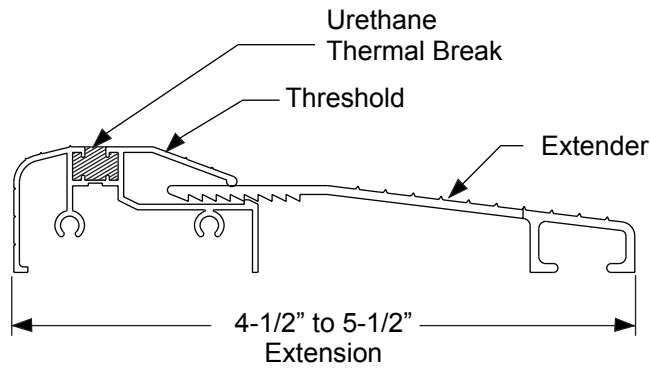


DESCRIPTION	LENGTH
3/6 BASE SILL	42.063"
3/0 BASE SILL	36.063"
2/10 BASE SILL	34.063"
2/8 BASE SILL	32.063"
2/6 BASE SILL	30.063"
2/4 BASE SILL	28.063"
2/0 BASE SILL	24.063"

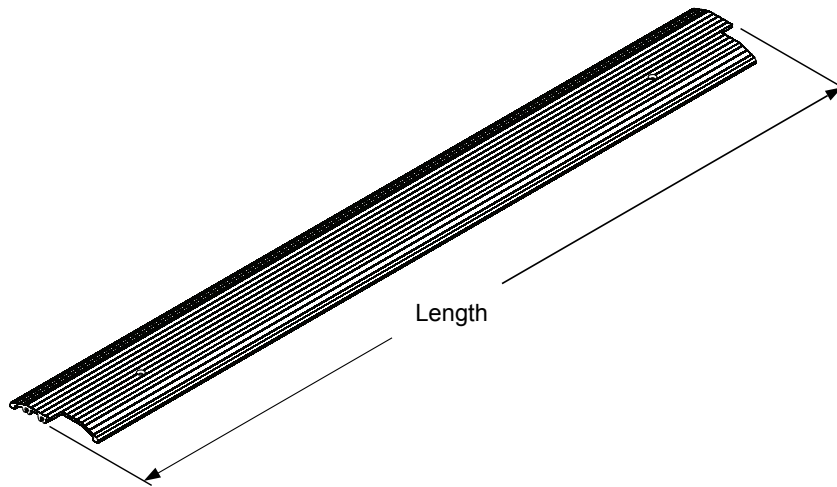
Sills



Adjusta-Fit[®] 2 Sill Extenders

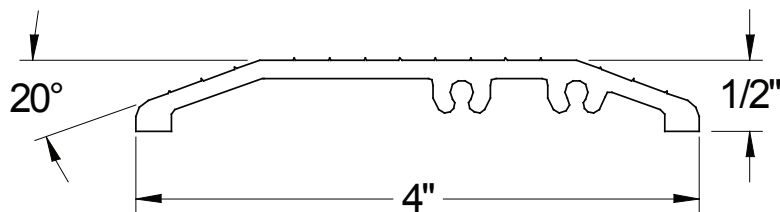


Sills

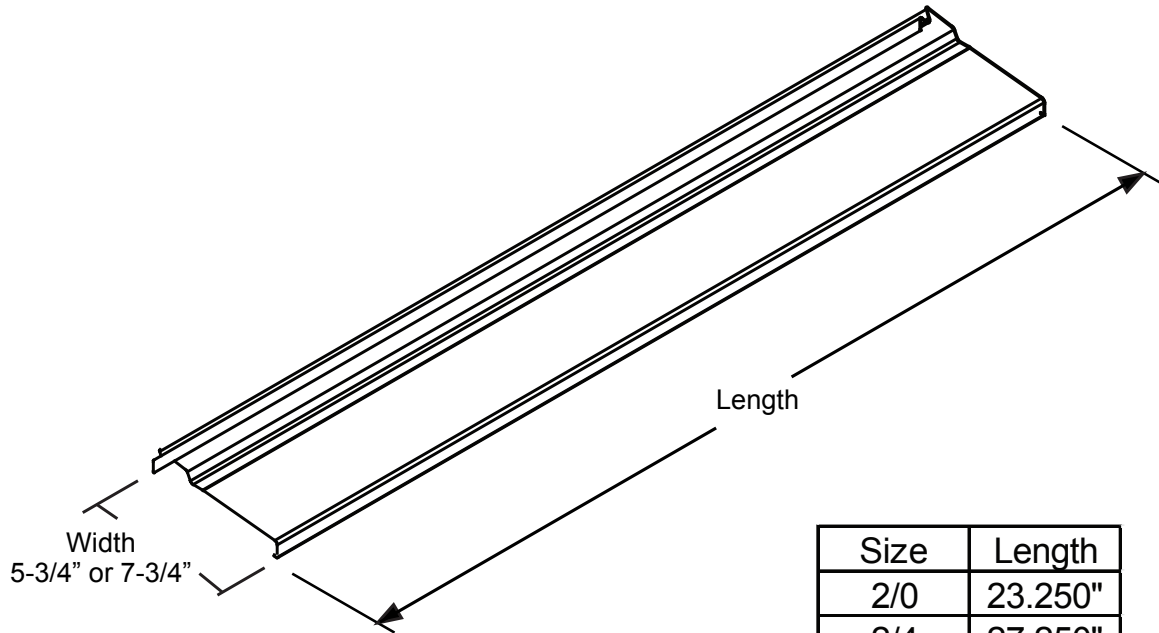


DESCRIPTION	A
3/6 ADA SILL FOR UNDERSIZE STEEL FRAMES	42.063
3/0 ADA SILL FOR UNDERSIZE STEEL FRAMES	36.063
2/10 ADA SILL FOR UNDERSIZE STEEL FRAMES	34.063
2/8 ADA SILL FOR UNDERSIZE STEEL FRAMES	32.063
2/6 ADA SILL FOR UNDERSIZE STEEL FRAMES	30.063
2/4 ADA SILL FOR UNDERSIZE STEEL FRAMES	28.063
2/0 ADA SILL FOR UNDERSIZE STEEL FRAMES	24.063

Sills



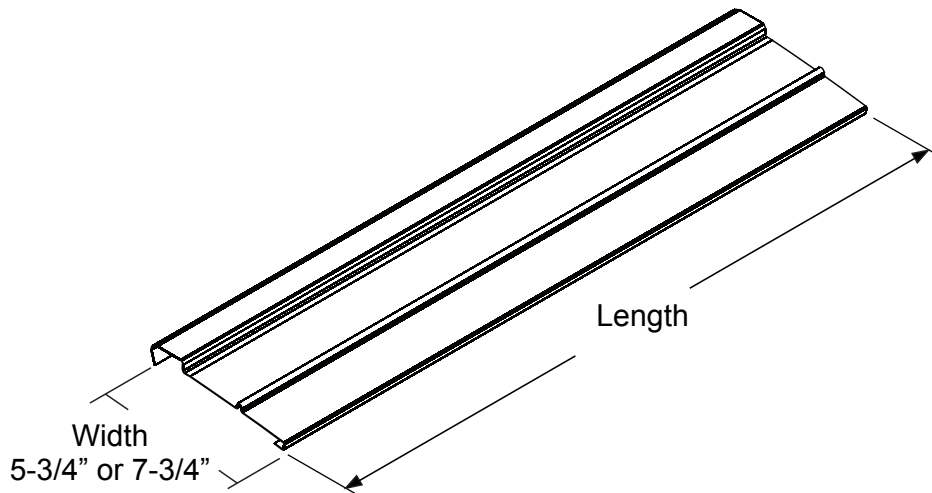
Basic Fixed/Moderate Climate Sill Cover



Sills

For Use With:
Basic Fixed Sills
Moderate Climate Sills

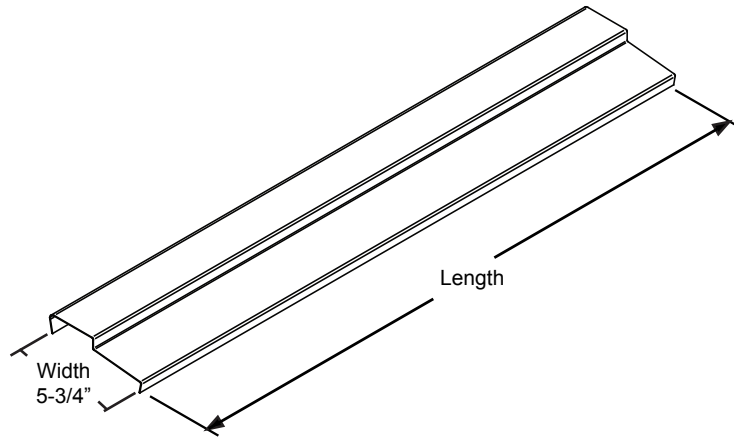
Size	Length
2/0	23.250"
2/4	27.250"
2/6	29.250"
2/8	31.250"
2/10	33.250"
3/0	35.250"
3/6	41.250"



Size	Length
2/4	26.500"
2/6	28.500"
2/8	30.500"
2/10	32.500"
3/0	34.500"



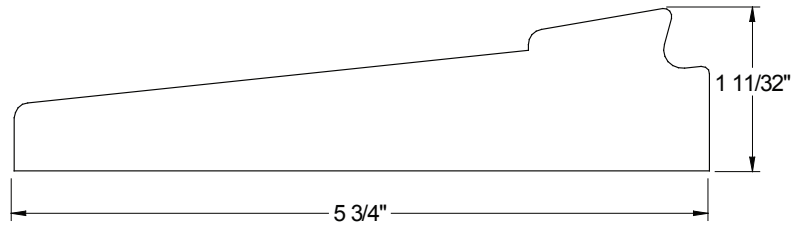
For Use With:
 Composite Adjustable Sills
 Basic Composite Adjustable Sills
 Hardwood Adjustable Sills



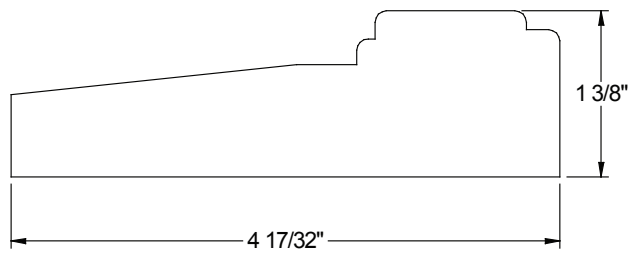
For Use With:
Outswing Composite Sills

Size	Length
2/4	26.500"
2/6	28.500"
2/8	30.500"
2/10	32.500"
3/0	34.500"

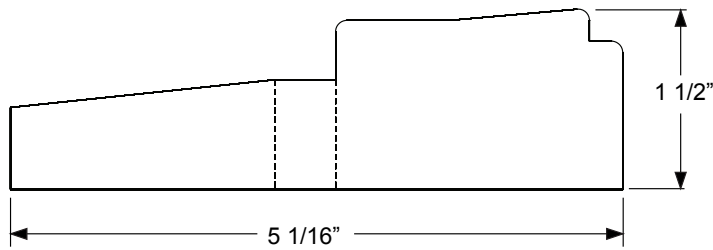
Sills



End Seal Pad - Basic Fixed Sills



**End Seal Pad - Composite/Hardwood Adjustable and Fixed Inswing Sills
Basic Composite Adjustable Inswing Sills**



End Seal Pad - Composite/Hardwood Outswing Sills

Sills