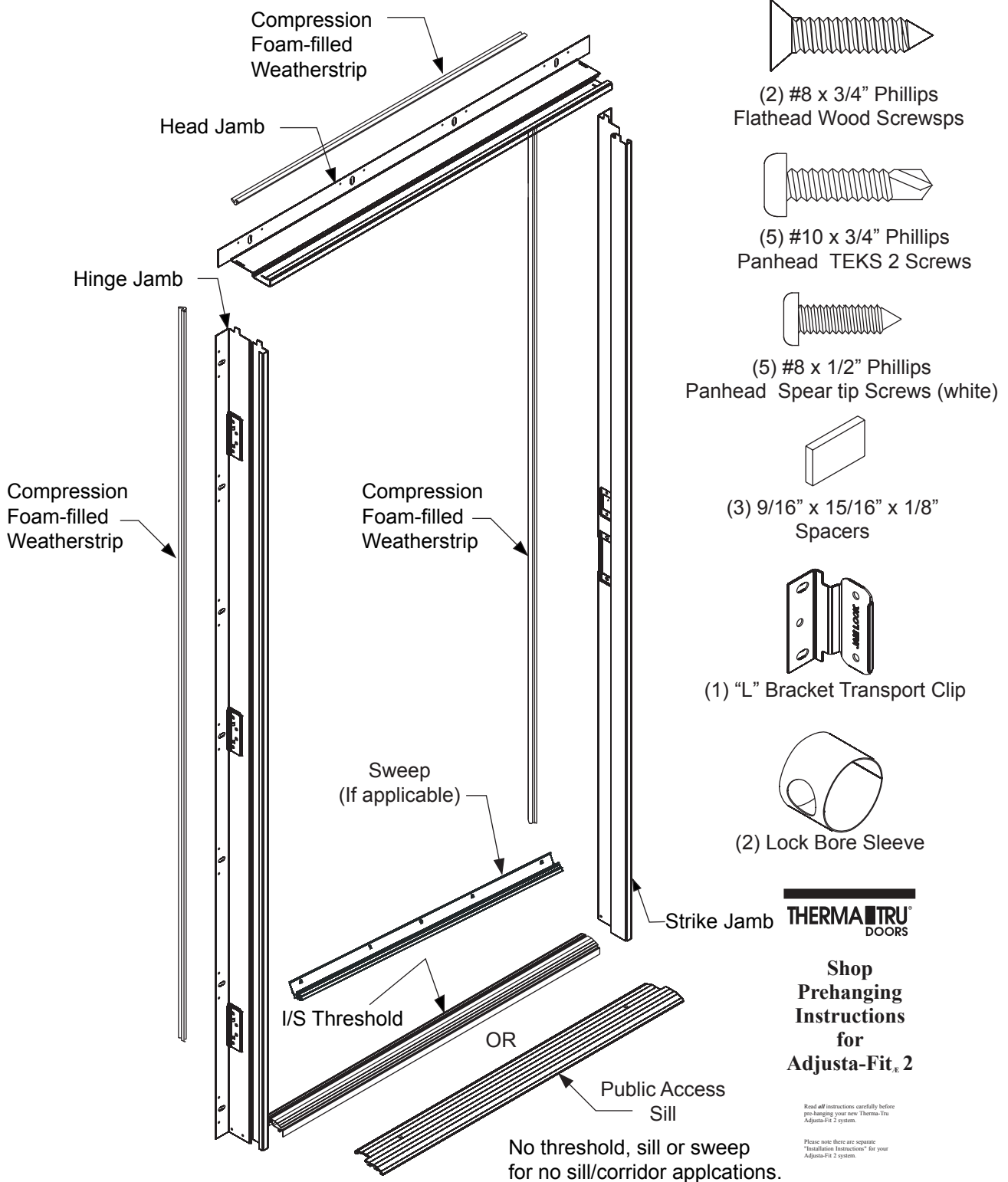


Adjusta-Fit® 2 Frame Shop Package ..... 7.3  
Adjusta-Fit® 2 Frame Field Package ..... 7.4

Frame Packages

Frame Packages



Frame Packages

Package includes: Side Jamb Bracket  
 Head Jamb Instructions  
 Weatherstrip Spacers  
 Fasteners  
 Threshold (if applicable)  
 Sweep (if applicable)

**THERMA-TRU**  
DOORS

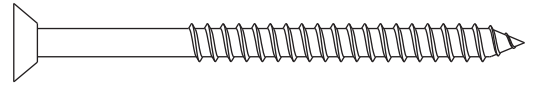
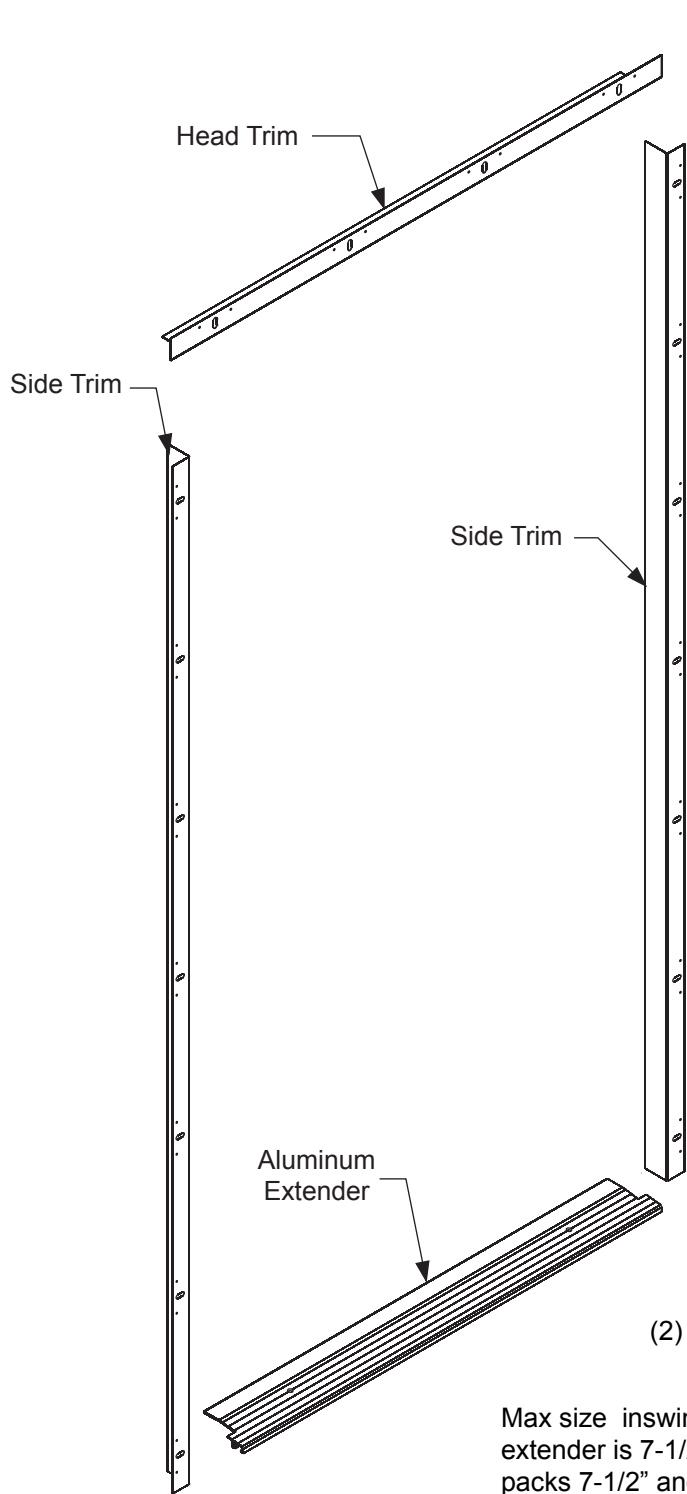
**Shop  
 Prehanging  
 Instructions  
 for  
 Adjusta-Fit<sub>v.2</sub>**

Read all instructions carefully before  
 pre-hanging your new Thermo-Tru  
 Adjusta-Fit 2 system.

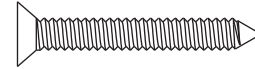
Please note there are separate  
 "Installation Instructions" for your  
 Adjusta-Fit 2 system.

For information on where to purchase  
 Thermo-Tru entry door systems,  
 call 1-800-THERMA-TRU (643-7528)  
 or visit [www.thermatru.com](http://www.thermatru.com)

# Adjusta-Fit<sup>®</sup> 2 Frame Field Package



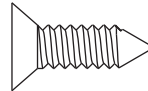
(6) #10 x 2-1/2" Phillips Flathead Screws



(2) #8 x 1-1/4" Phillips Flathead Screws



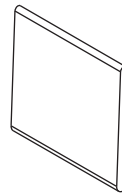
(2) #8 x 3/4" Phillips Flathead Wood Screws



(2) #12-24 x 3/4" Phillips Flathead Type "A" Machine Screw



Deadbolt Cover (Door)  
1-1/8" x 2-1/4"



(2) Jamb Seal Pads



Deadbolt Cover (Frame)  
1-1/8" x 2-3/4"



Converter Plate



(2) 1-1/8" x 2-1/4" Deadbolt Filler



(2) #8-32 x 3/8" Screw Type "F"

Max size inswing sill depth with extender is 7-1/2", inswing field packs 7-1/2" and larger contain 6-1/2" - 7-1/2" sill extender.

No extender for public access sill.  
No sill/corridor applications.

- Package includes:
- Side Trim
  - Lock & Deadbolt Inserts
  - Head Trim
  - Jamb Seal Pads
  - Aluminum Extender (if applicable)
  - Fasteners
  - Instructions
  - Sweep (if applicable)



## Site Installation Instructions for Adjusta-Fit<sup>®</sup> 2

Read all instructions carefully before installing your new Thermo-Tru Adjusta-Fit 2 system.

Please note there are separate "Prehanging Instructions" to be reviewed and followed prior to completing the installation.

CODES  
Building codes may vary from area to area. If a fire rating is required of the door and opening being framed, the installer must use installation materials and methods to satisfy the authority having jurisdiction. Thermo-Tru provides labeled products, but bears no responsibility for installation.