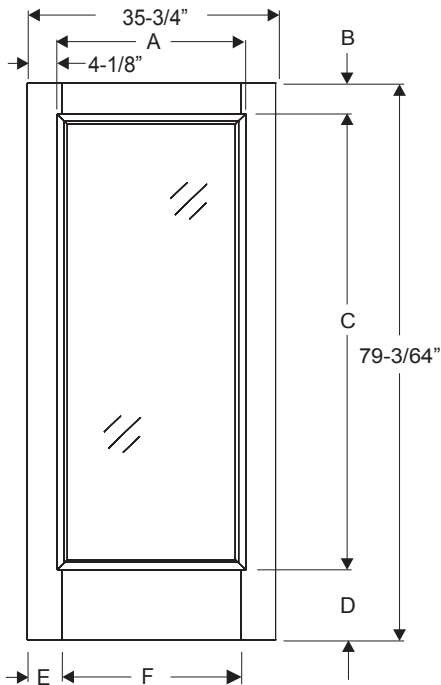


6/8 Classic-Craft 3.3
8/0 Classic-Craft 3.28

Classic-Craft
Panel
Dimensions

Classic-Craft
Panel
Dimensions



Full Lite W/ Stile Lines

Daylight Opening:
 2566 24-9/16" x 65-5/16" (1602 sq.in.)
 (non wrought iron)
 2566 24-1/2" x 65-1/4" (1599 sq.in.)
 (wrought iron)

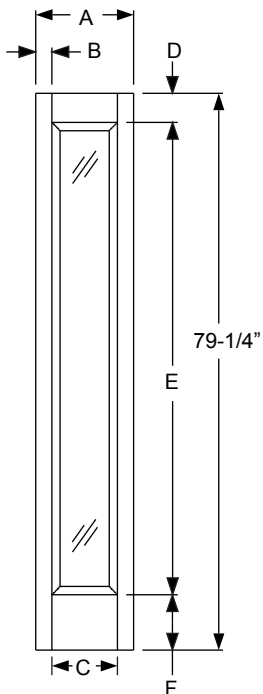
Classic-Craft
Panel
Dimensions

Available in:
 Classic-Craft Oak
 Classic-Craft Mahogany
 Classic-Craft Rustic
 Classic-Craft Canvas

Lite Description	Glass	A	B	C	D
Non-Wrought Iron	2566	27-9/16"	3-5/8"	68-5/16"	7-1/8"
Wrought Iron*	2566	27-1/2"	3-3/4"	68-1/4"	7-7/16"

*Not available in Classic-Craft Oak.

Door Collection	E	F
Classic-Craft Oak	4-1/2"	26-3/4"
Classic-Craft Mahogany	4-5/8"	26-1/2"
Classic-Craft Rustic	4-15/16"	25-7/8"
Classic-Craft Canvas	4-15/16"	25-7/8"



Full Lite Sidelite Flush-Glazed

Daylight Opening:
 0866 7" x 64-7/8" (456 sq.in.)

Available in:
 Classic-Craft Oak
 Classic-Craft Mahogany
 Classic-Craft Rustic
 Classic-Craft Canvas
 Classic-Craft American

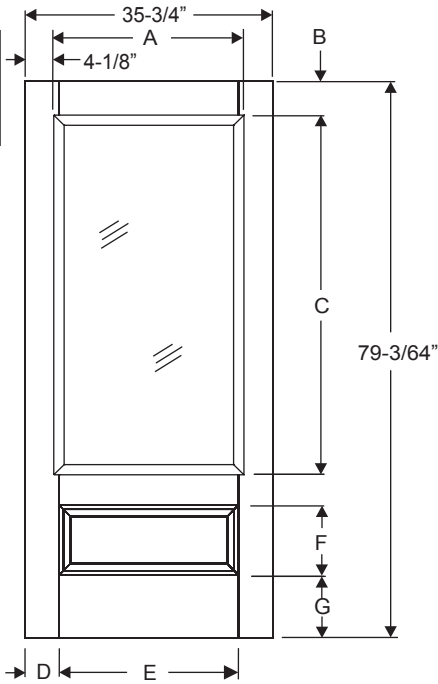
Classic-Craft Mahogany, Classic-Craft Rustic, and Classic-Craft Oak							
Width	Glass	A	B	C	D	E	F
12"	0866	11-15/16"	1-5/16"	9-5/16"	4-3/16"	67-3/16"	7-7/8"
14"	0866	13-15/16"	2-5/16"	9-5/16"	4-3/16"	67-3/16"	7-7/8"

Classic-Craft Canvas							
Width	Glass	A	B	C	D	E	F
12"	0866	11-15/16"	2-1/8"	7-11/16"	4-7/8"	65-5/8"	8-11/16"
14"	0866	13-15/16"	3-1/8"	7-11/16"	4-7/8"	65-5/8"	8-11/16"

Classic-Craft American Style							
Width	Glass	A	B	C	D	E	F
12"	0866	11-15/16"	1-13/16"	8-1/4"	4-3/4"	66-1/8"	8-7/16"
14"	0866	13-15/16"	2-13/16"	8-1/4"	4-3/4"	66-1/8"	8-7/16"

6/8 Classic-Craft

Classic-Craft
Panel
Dimensions



3/4 Lite 1 Panel

Daylight Opening:

2551	24-9/16" x 50-1/16"	(1228 sq.in.)
	(non wrought iron)	
2551	24-1/2" x 50"	(1225 sq.in.)
	(wrought iron)	

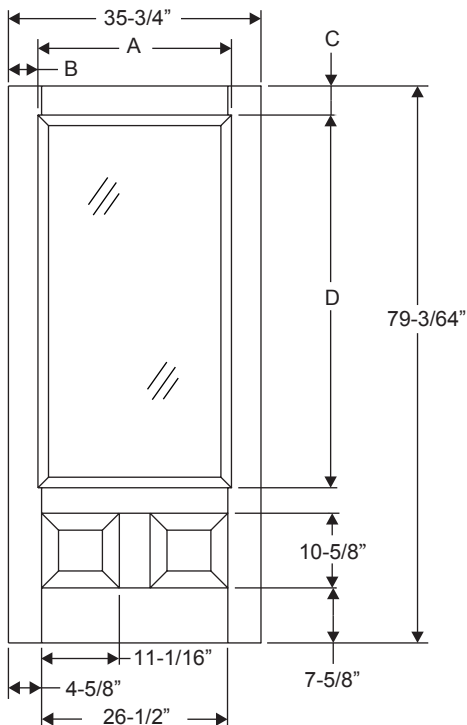
Available in:

- Classic-Craft Oak
- Classic-Craft Canvas

Lite Description	Glass	A	B	C
Non-Wrought Iron	2551	27-9/16"	3-11/16"	53-1/16"
Wrought Iron*	2551	27-1/2"	4-3/16"	53"

*Only available in Classic-Craft Canvas.

Door Collection	D	E	F	G
Classic-Craft Oak	4-5/8"	26-1/2"	10-5/8"	7-5/8"
Classic-Craft Canvas	4-3/4"	26-3/16"	10"	8-1/2"



3/4 Lite 2 Panel

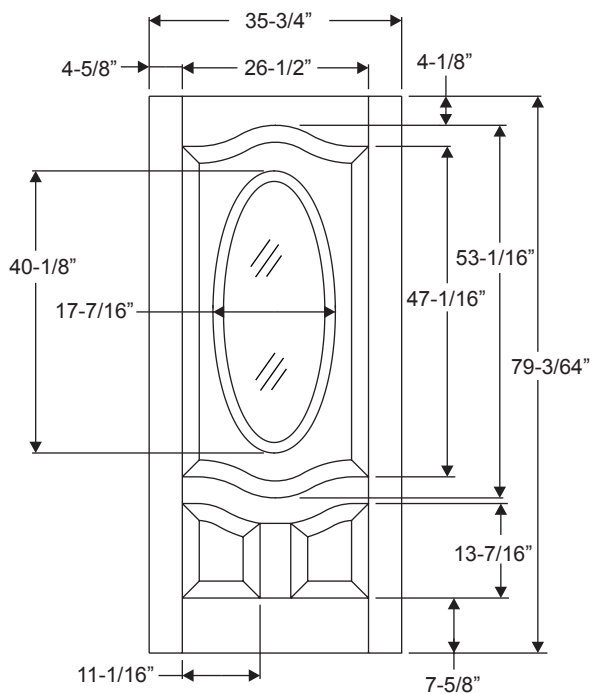
Daylight Opening:

2551	24-9/16" x 50-1/16"	(1228 sq.in.)
	(non wrought iron)	
2551	24-1/2" x 50"	(1225 sq.in.)
	(wrought iron)	

Available in:

- Classic-Craft Mahogany

Lite Description	Glass	A	B	C
Non-Wrought Iron	2551	27-9/16"	3-11/16"	53-1/16"
Wrought Iron	2551	27-1/2"	4-3/16"	53"

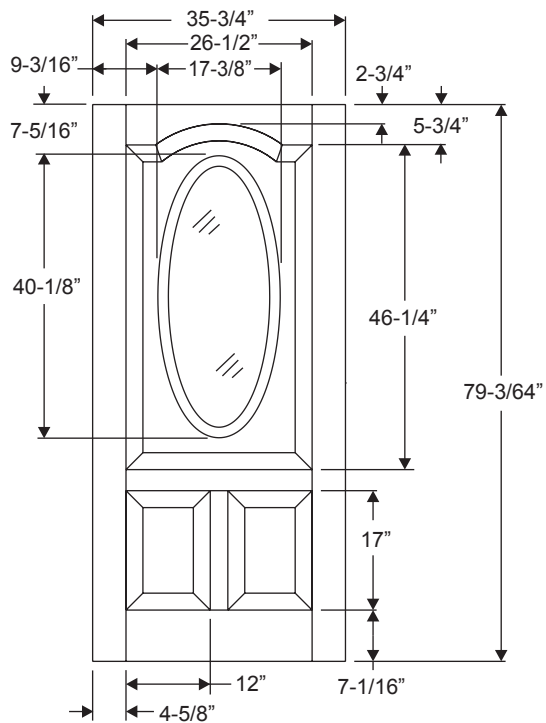


3/4 Deluxe Oval Lite 2 Panel

Classic-Craft
Panel
Dimensions

Daylight Opening:
1538V 14-7/16" x 37-1/8" (419 sq.in.)

Available in:
Classic-Craft Mahogany



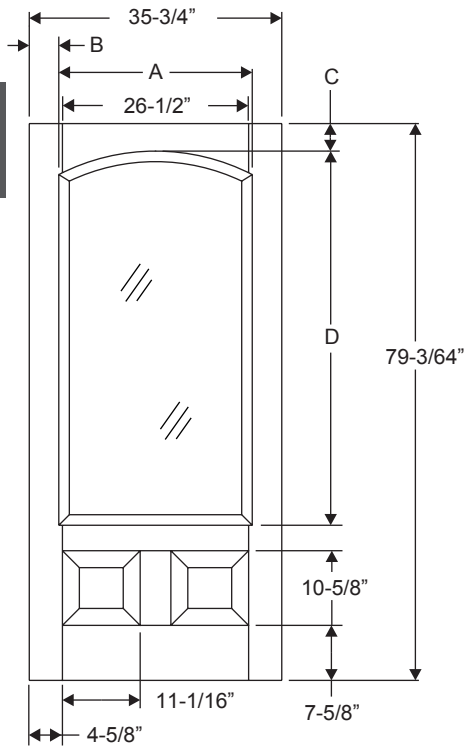
3/4 Scroll Top Oval Lite 2 Panel

Daylight Opening:
1538V 14-5/8" x 37-3/8" (419 sq.in.)

Available in:
Classic-Craft Oak

6/8 Classic-Craft

Classic-Craft
Panel
Dimensions

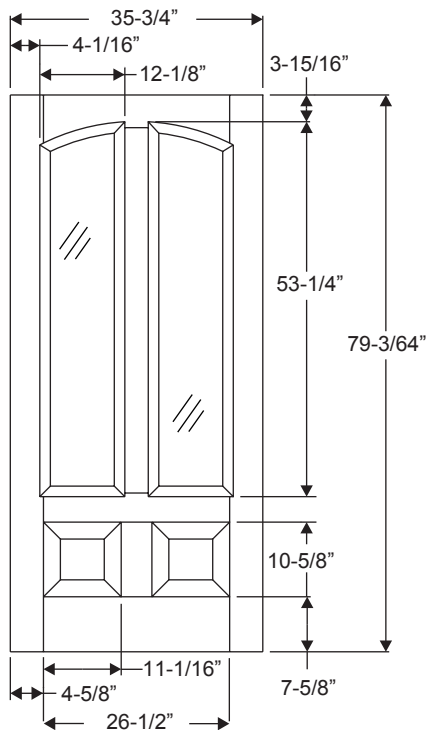


3/4 Arch Lite 2 Panel

Daylight Opening:
 2551A 24-9/16" x 50-1/8" (1211 sq.in.)
 (non wrought iron)
 2551A 24-7/16" x 50-1/8" (1203 sq.in.)
 (wrought iron)

Available in:
 Classic-Craft Mahogany

Lite Description	Glass	A	B	C	D
Non-Wrought Iron	2551A	27-9/16"	4-1/8"	4-1/4"	53-1/4"
Wrought Iron	2551A	27-7/16"	4-3/16"	4-5/16"	53-1/8"

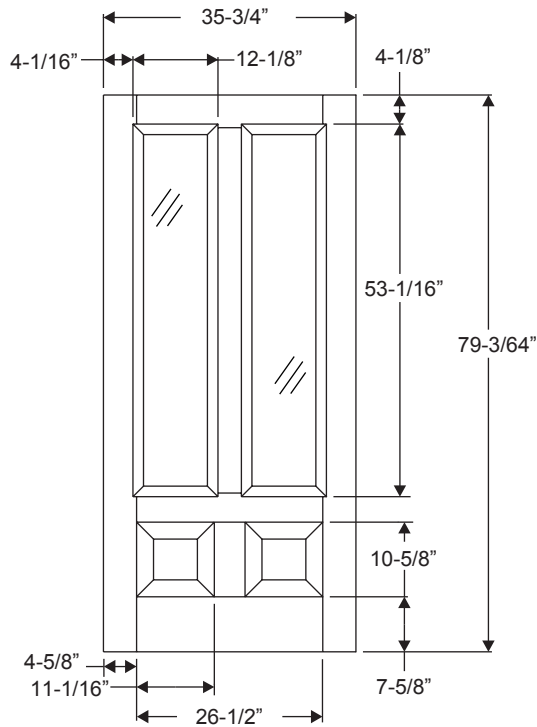


3/4 Twin Lite Eyebrow 2 Panel

Daylight Opening:
 1051A 9-1/8" x 50-1/4" (446 sq.in. per lite)
 (892 sq.in. total)

Available in:
 Classic-Craft Mahogany

3/4 Twin Lite 2 Panel

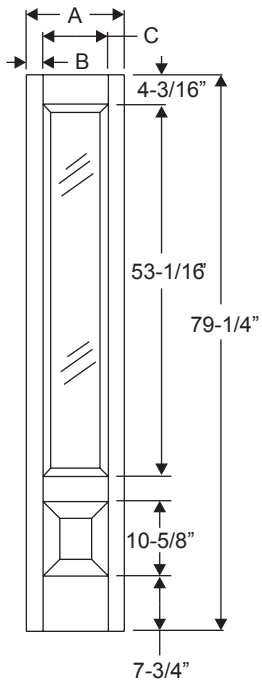


Daylight Opening:
1051 9-3/32" x 50-1/32"

(455 sq.in. per lite)
(910 sq.in. total)

Classic-Craft
Panel
Dimensions

Available in:
Classic-Craft Mahogany



3/4 Lite Sidelite 1 Panel Flush-Glazed

Daylight Opening:
0652 5" x 50-3/4"
0852 7" x 50-3/4"

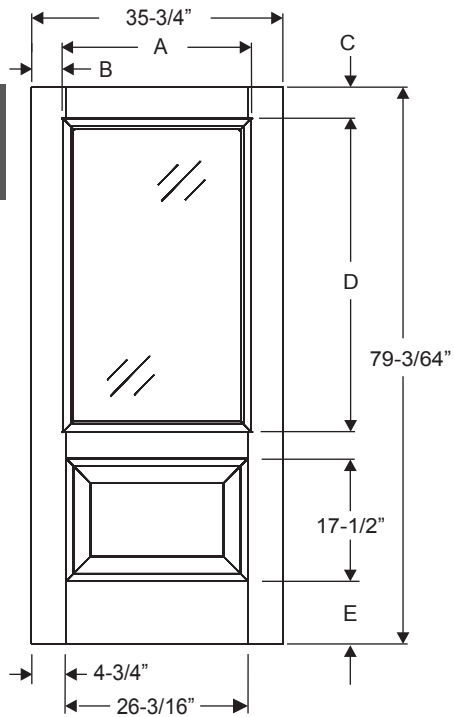
(254 sq.in.)
(356 sq.in.)

Available in:
Classic-Craft Mahogany

Width	Glass	A	B	C
10"	0652	9-15/16"	1-5/16"	7-5/16"
12"	0852	11-15/16"	1-5/16"	9-5/16"
14"	0852	13-15/16"	2-5/16"	9-5/16"

6/8 Classic-Craft

Classic-Craft
Panel
Dimensions



2/3 Lite 1 Panel

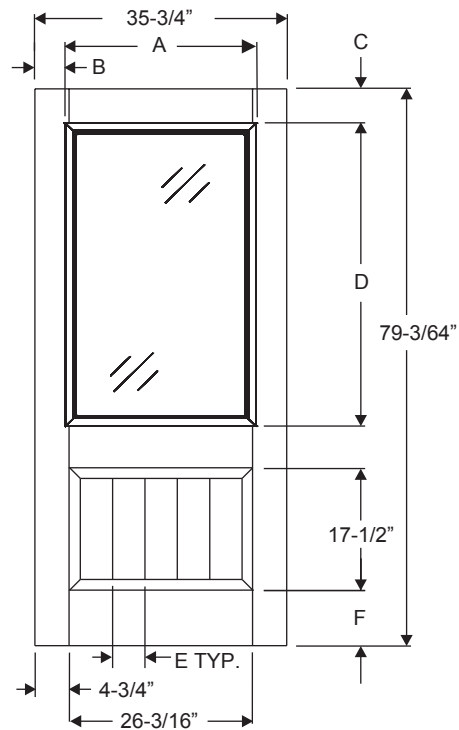
Daylight Opening:

2542	24-1/8" x 41-1/8"	(991 sq.in.)
(non-wrought iron)		
2542	24-1/16" x 41-1/16"	(988 sq.in.)
(wrought iron)		

Available in:
Classic-Craft Rustic
Classic-Craft Canvas

Lite Description	Glass	A	B	C	D
Non-Wrought Iron	2542	27-1/8"	4-5/16"	4-5/8"	44-1/8"
Wrought Iron	2542	27-1/16"	4-3/8"	4-9/16"	44-1/16"

Door Collection	E
Classic-Craft Rustic	7-11/16"
Classic-Craft Canvas	8-1/2"



2/3 Lite 1 Panel Plank

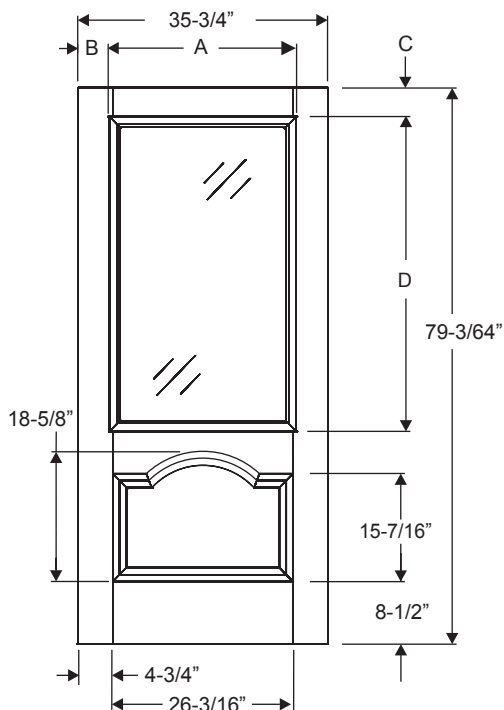
Daylight Opening:

2542	24-1/8 x 41-1/8"	(991 sq.in.)
(non-wrought iron)		
2542	24-1/16" x 41-1/16"	(988 sq.in.)
(wrought iron)		

Available in:
Classic-Craft Rustic
Classic-Craft Canvas

Lite Description	Glass	A	B	C	D
Non-Wrought Iron	2542	27-1/8"	4-5/16"	4-5/8"	44-1/8"
Wrought Iron	2542	27-1/16"	4-3/8"	4-9/16"	44-1/16"

Door Collection	E	F
Classic-Craft Rustic	4-5/8"	7-11/16"
Classic-Craft Canvas	4-1/4"	7-9/16"



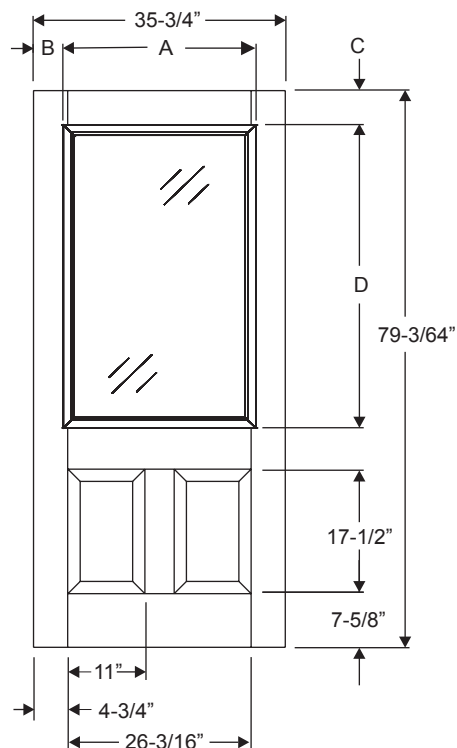
2/3 Lite 1 Panel Scroll Top

Daylight Opening:
 2542 24-1/8" x 41-1/8" (991 sq.in.)
 (non-wrought iron)
 2542 24-1/16" x 41-1/16" (988 sq.in.)
 (wrought iron)

Available in:
 Classic-Craft Canvas

Classic-Craft
 Panel
 Dimensions

Lite Description	Glass	A	B	C	D
Non-Wrought Iron	2542	27-1/8"	4-5/16"	4-5/8"	44-1/8"
Wrought Iron	2542	27-1/16"	4-3/8"	4-9/16"	44-1/16"



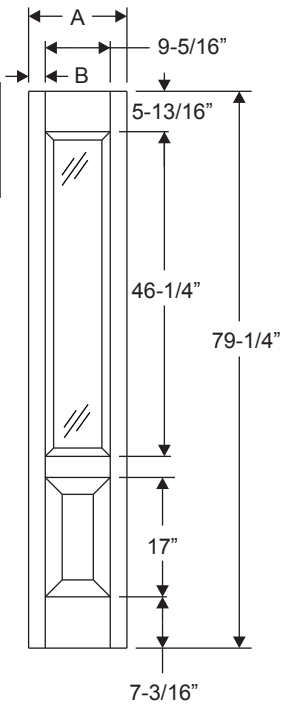
2/3 Lite 2 Panel

Daylight Opening:
 2542 24-1/8" x 41-1/8" (991 sq.in.)
 (non-wrought iron)
 2542 24-1/16" x 41-1/16" (988 sq.in.)
 (wrought iron)

Available in:
 Classic-Craft Rustic

Lite Description	Glass	A	B	C	D
Non-Wrought Iron	2542	27-1/8"	4-5/16"	4-5/8"	44-1/8"
Wrought Iron	2542	27-1/16"	4-3/8"	4-9/16"	44-1/16"

6/8 Classic-Craft



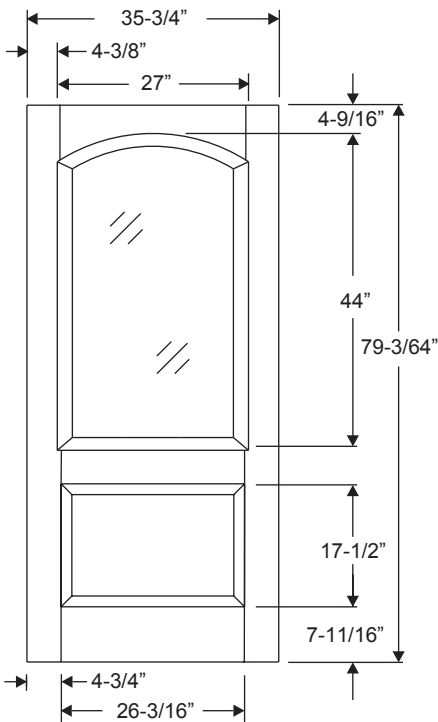
Classic-Craft
Panel
Dimensions

2/3 Lite (45") Sidelite 1 Panel Flush-Glazed

Daylight Opening:
0845 7" x 46-15/16" (309 sq.in.)

Available in:
Classic-Craft Oak

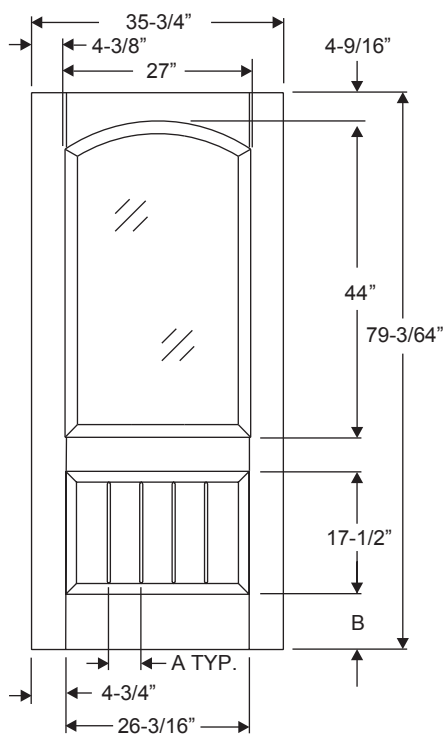
Width	Glass	A	B
12"	0845	11-15/16"	1-5/16"
14"	0845	13-15/16"	2-5/16"



2/3 Arch Lite 1 Panel

Daylight Opening:
2542A 24" x 41" (965 sq.in.)
(wrought iron)

Available in:
Classic-Craft Rustic



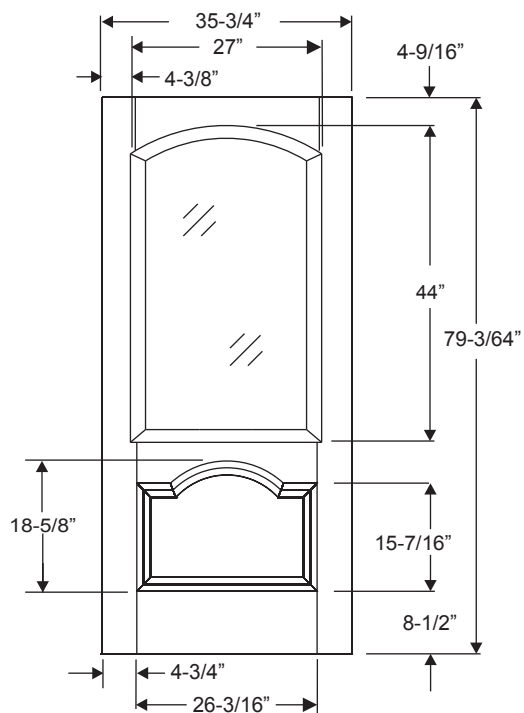
2/3 Arch Lite 1 Panel Plank

Daylight Opening:
2542A 24" x 41" (965 sq.in.)
(wrought iron)

Classic-Craft
Panel
Dimensions

Available in:
Classic-Craft Rustic
Classic-Craft Canvas

Door Collection	A	B
Classic-Craft Rustic	4-5/8"	7-11/16"
Classic-Craft Canvas	4-1/8"	7-9/16"

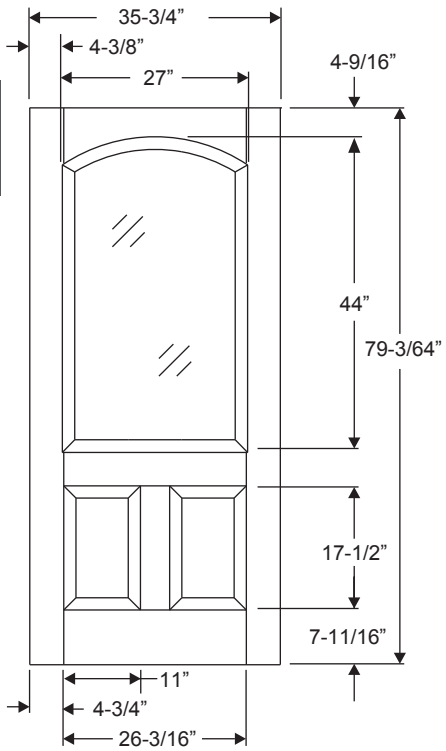


2/3 Arch Lite 1 Panel Scroll Top

Daylight Opening:
2542A 24" x 41" (965 sq.in.)
(wrought iron)

Available in:
Classic-Craft Canvas

6/8 Classic-Craft

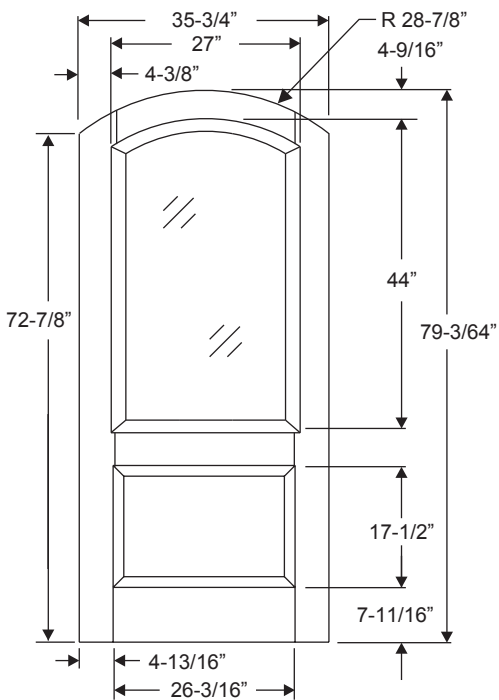


Classic-Craft
Panel
Dimensions

2/3 Arch Lite 2 Panel

Daylight Opening:
2542A 24" x 41" (965 sq.in.)
(wrought iron)

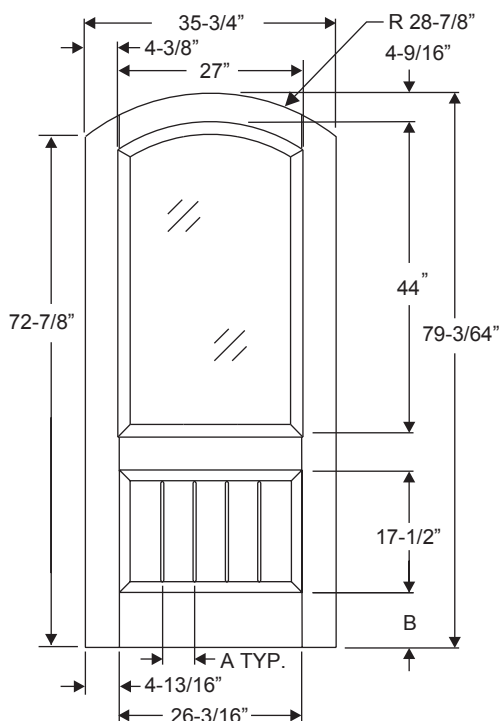
Available in:
Classic-Craft Rustic



Arched 2/3 Arch Lite 1 Panel

Daylight Opening:
2542A 24" x 41" (965 sq.in.)
(wrought iron)

Available in:
Classic-Craft Rustic



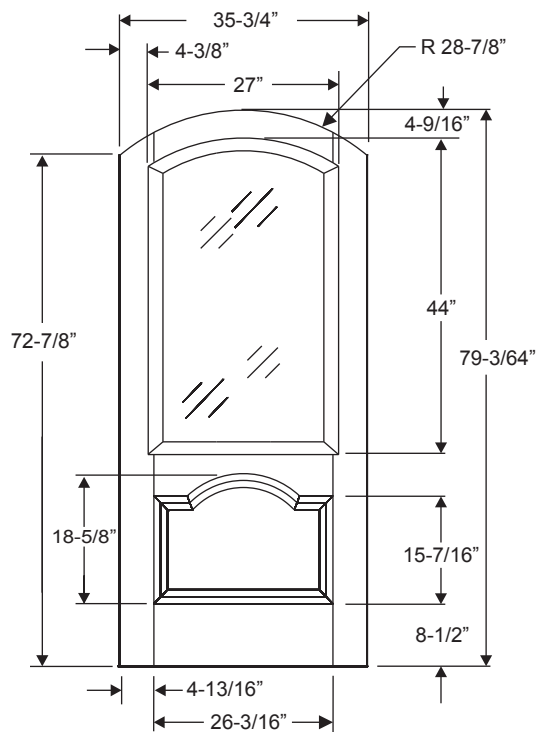
Arched 2/3 Arch Lite 1 Panel Plank

Daylight Opening:
2542A 24" x 41" (965 sq.in.)
(wrought iron)

Classic-Craft
Panel
Dimensions

Available in:
Classic-Craft Canvas
Classic-Craft Rustic

Door Collection	A	B
Classic-Craft Rustic	4-5/8"	7-11/16"
Classic-Craft Canvas	4-1/4"	7-9/16"

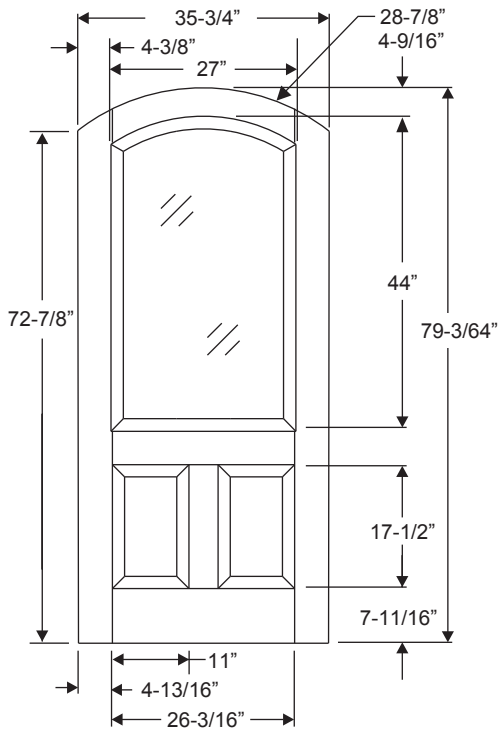


Arched 2/3 Arch Lite 1 Panel Scroll Top

Daylight Opening:
2542A 24" x 41" (965 sq.in.)
(wrought iron)

Available in:
Classic-Craft Canvas

6/8 Classic-Craft

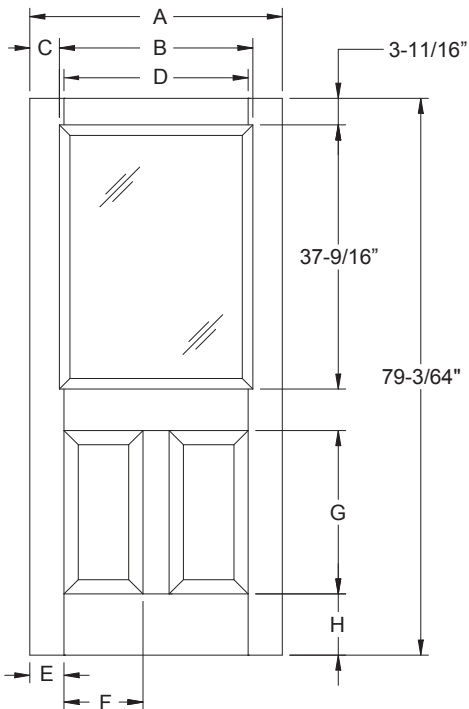


Arched 2/3 Arch Lite 2 Panel

Daylight Opening:
2542A 24" x 41" (965 sq.in.)
(wrought iron)

Available in:
Classic-Craft Rustic

Classic-Craft
Panel
Dimensions



Half Lite 2 Panel

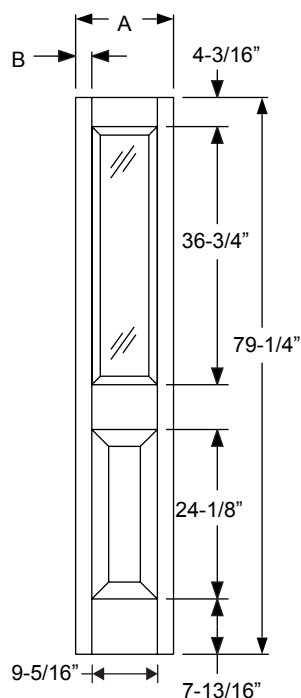
Daylight Opening:
2535 24-1/2" x 34-9/16" (849 sq.in.)
2135 20-5/16" x 34-9/16" (702 sq.in.)

Available in:
Classic-Craft Oak
Classic-Craft Mahogany
Classic-Craft Canvas

Width	Glass	A	B	C
2/8*	2135	33-3/4"	23-5/16"	5-1/4"
3/0	2535	35-3/4"	27-9/16"	4-1/8"

*Only available in Classic-Craft Oak.

Door Collection	D	E	F	G	H
Classic-Craft Mahogany	26-3/4"	4-1/2"	11-1/2"	24-1/8"	7-9/16"
Classic-Craft Oak (2/8)	22-1/2"	5-5/8"	9-5/8"	24-1/8"	7-9/16"
Classic-Craft Oak (3/0)	26-3/4"	4-1/2"	11-1/2"	24-1/8"	7-9/16"
Classic-Craft Canvas	26-3/16"	4-3/4"	11-1/4"	23-1/4"	8-1/2"



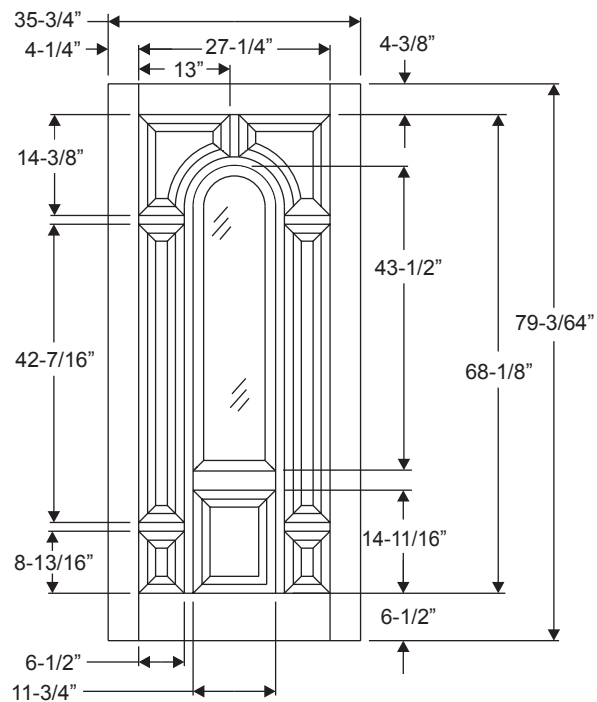
Half Lite Sidelite 1 Panel Flush-Glazed

Daylight Opening:
0835 7-1/32" x 34-5/16" (241 sq.in.)

Classic-Craft
Panel
Dimensions

Available in:
Classic-Craft Oak

Width	Glass	A	B
12"	0835	11-15/16"	1-5/16"
14"	0835	13-15/16"	2-5/16"

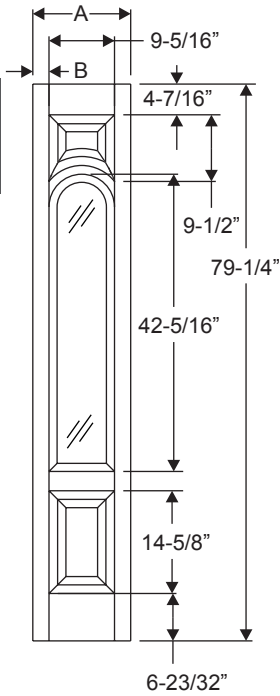


Center Arch Lite 7 Panel

Daylight Opening:
1042R 8-3/4" x 40-1/2" (346 sq.in.)

Available in:
Classic-Craft Oak
Classic-Craft Mahogany

6/8 Classic-Craft



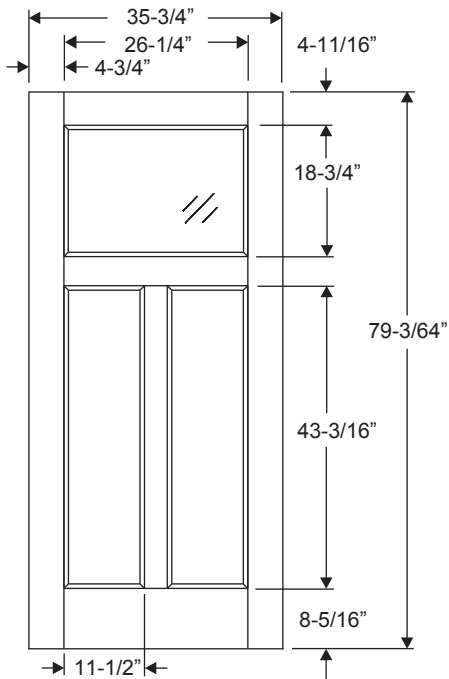
Classic-Craft
Panel
Dimensions

2 Panel Round Top Lite Sidelite Flush-Glazed

Daylight Opening:
0841R 7" x 40" (276 sq.in.)

Available in:
Classic-Craft Oak
Classic-Craft Mahogany

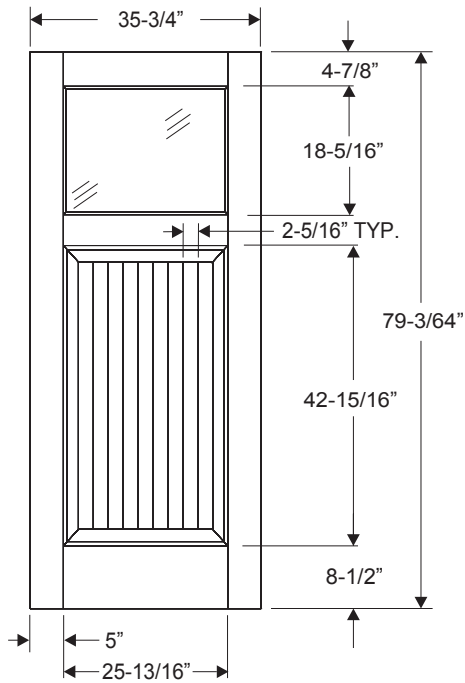
Width	Glass	A	B
12"	0841R	11-15/16"	1-5/16"
14"	0841R	13-15/16"	2-5/16"



Craftsman Lite 2 Panel Flush-Glazed

Daylight Opening:
2618 25" x 17-1/2" (438 sq.in.)

Available in:
Classic-Craft American

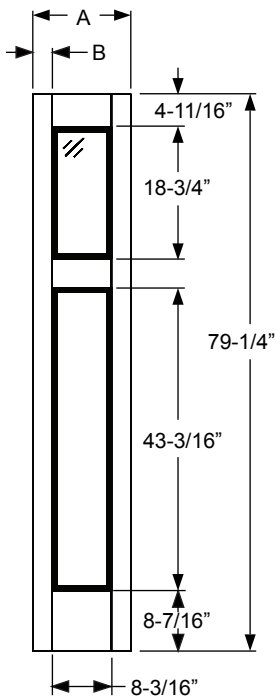


Craftsman Lite 1 Panel Plank Flush-Glazed

Daylight Opening:
2618 25" x 17-1/2" (438 sq.in.)

Available in:
Classic-Craft Canvas

Classic-Craft
Panel
Dimensions



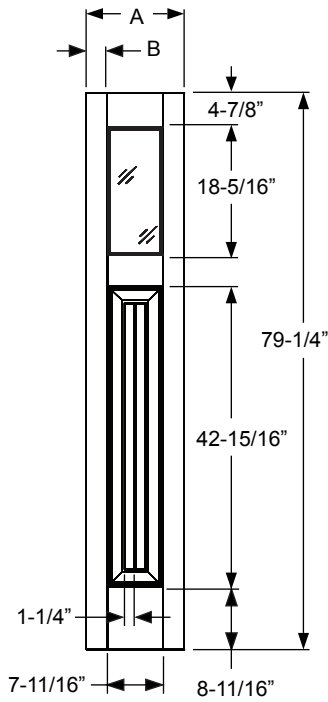
Craftsman Lite 1 Panel Sidelite Flush-Glazed

Daylight Opening:
0818 7" x 17-1/2" (122 sq.in.)

Available in:
Classic-Craft American

Width	Glass	A	B
12"	0818	11-15/16"	1-7/8"
14"	0818	13-15/16"	2-7/8"

6/8 Classic-Craft



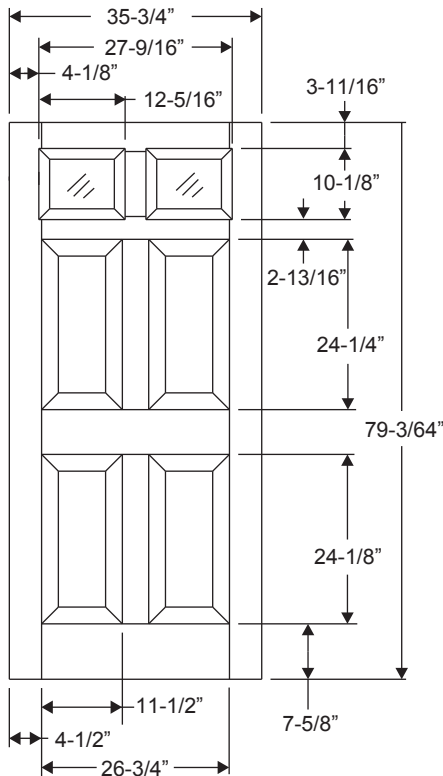
Classic-Craft
Panel
Dimensions

Craftsman Lite 1 Panel Plank Sidelite Flush-Glazed

Daylight Opening:
0818 7" x 17-1/2" (122 sq.in.)

Available in:
Classic-Craft Canvas

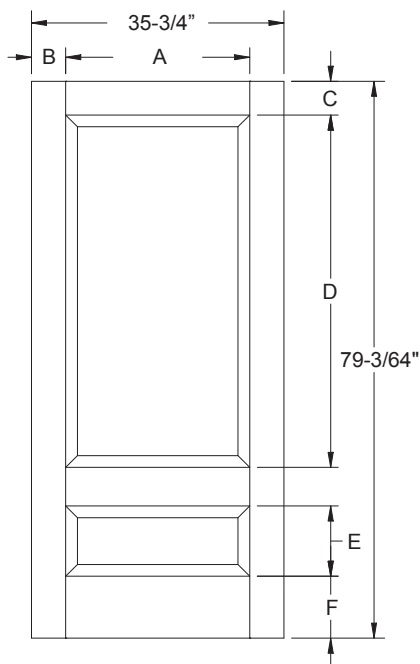
Width	Glass	A	B
12"	0818	11-15/16"	2-1/8"
14"	0818	13-15/16"	3-1/8"



2 Lite 4 Panel

Daylight Opening:
1008 9-5/16" x 7-1/8" (66 sq.in. per lite)
(132 sq.in. total)

Available in:
Classic-Craft Oak



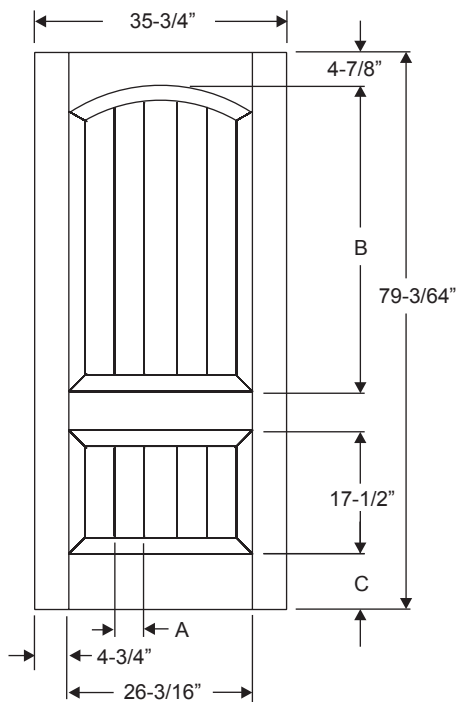
2 Panel 3/4 Top

Note:
Impact Options Available.

Available in:
Classic-Craft Oak
Classic-Craft Canvas

Classic-Craft
Panel
Dimensions

Door Collection	A	B	C	D	E	F
Classic-Craft Oak	26-1/2"	4-5/8"	3-1/2"	52"	10-1/2"	8-7/16"
Classic-Craft Canvas	26-3/16"	4-3/4"	4-7/8"	50-1/8"	10"	8-9/16"



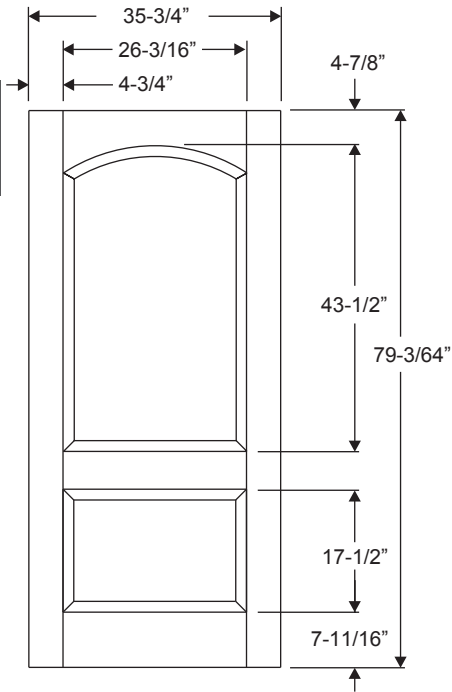
2 Panel Plank Soft Arch

Note:
Impact Options Available.

Available in:
Classic-Craft Rustic
Classic-Craft Canvas

Door Collection	A	B	C
Classic-Craft Rustic	4-5/8"	43-1/2"	7-11/16"
Classic-Craft Canvas	4-1/4"	43-9/16"	7-9/16"

6/8 Classic-Craft

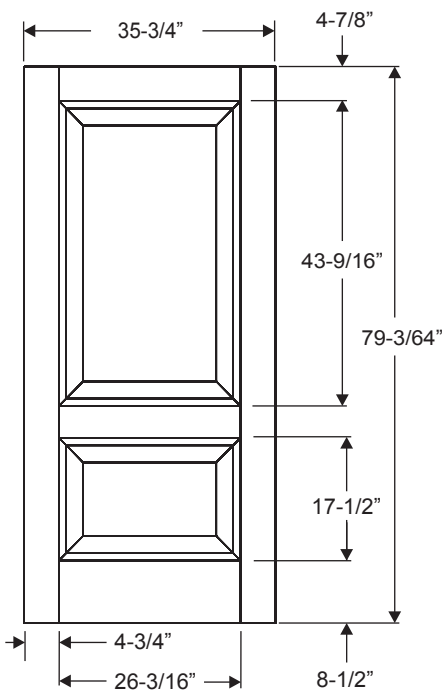


Classic-Craft
Panel
Dimensions

2 Panel Soft Arch

Available in:
Classic-Craft Rustic

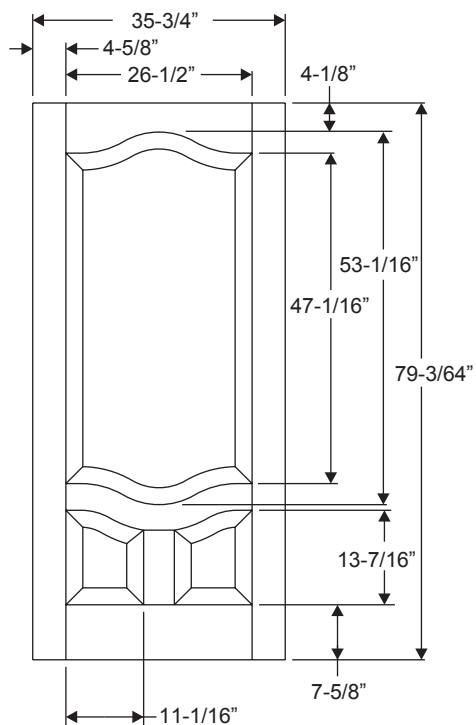
Note:
Impact Options Available.



2 Panel Square Top

Available in:
Classic-Craft Canvas

Note:
Impact Options Available.

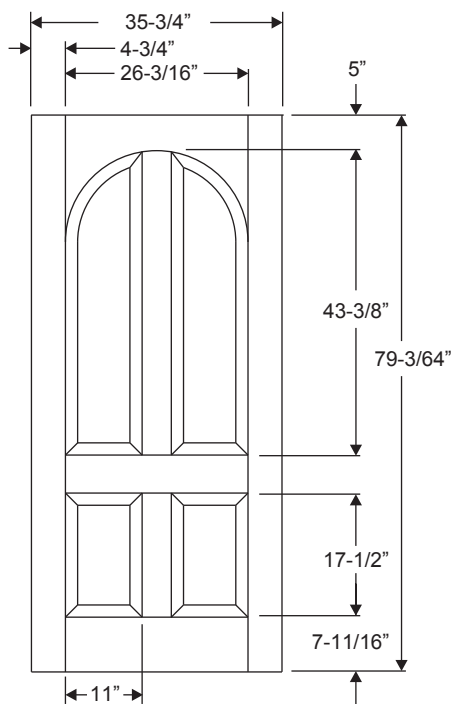


3 Panel Scroll

Classic-Craft
Panel
Dimensions

Available in:
Classic-Craft Mahogany

Note: Impact Options Available.



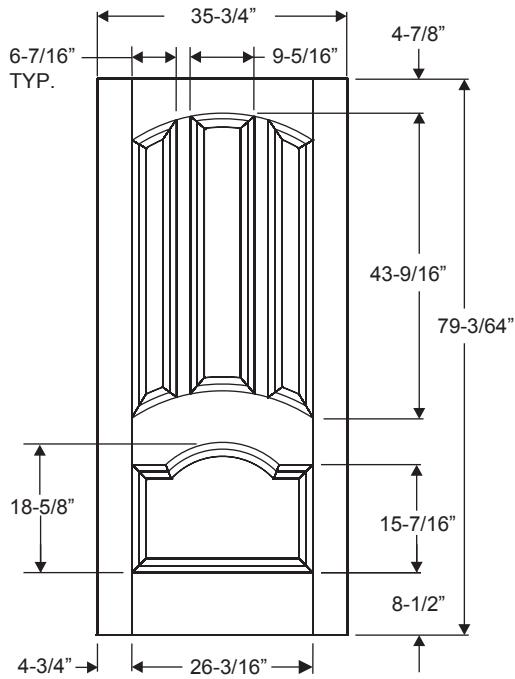
4 Panel Round Top

Available in:
Classic-Craft Rustic

Note:
Impact Options Available.

6/8 Classic-Craft

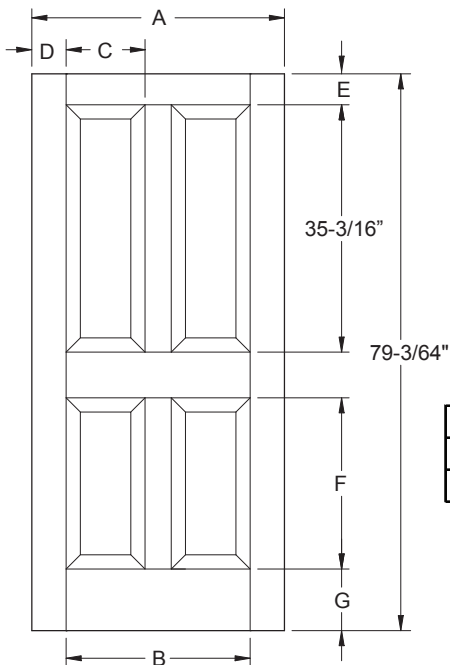
Classic-Craft
Panel
Dimensions



4 Panel Soft Arch

Available in:
Classic-Craft Canvas

Note:
Impact Options Available.



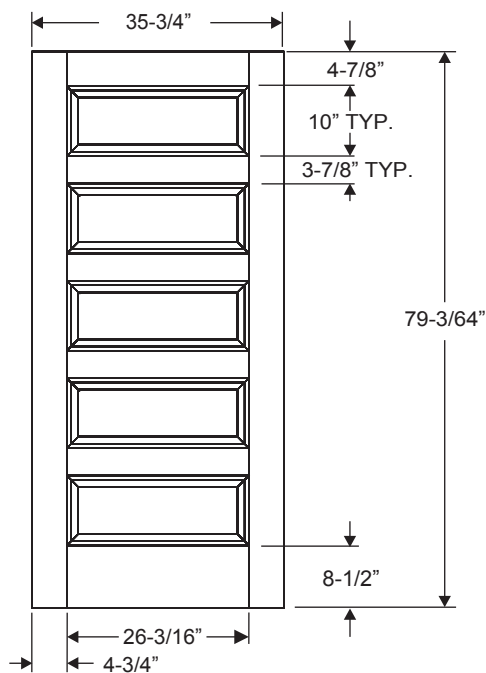
4 Panel Square Top

Available in:
Classic-Craft Oak
Classic-Craft Canvas

Note:
Impact Options Available.

Door Collection	A	B	C	D	E
Classic-Craft Oak (3/6)	41-3/4"	30-15/16"	13-1/4"	5-3/8"	4-13/16"
Classic-Craft Canvas (3/0)	35-3/4"	26-3/16"	11-1/4"	4-3/4"	4-3/8"

Door Collection	F	G
Classic-Craft Oak (3/6)	24-1/2"	8-1/2"
Classic-Craft Canvas (3/0)	24-3/8"	8-5/8"

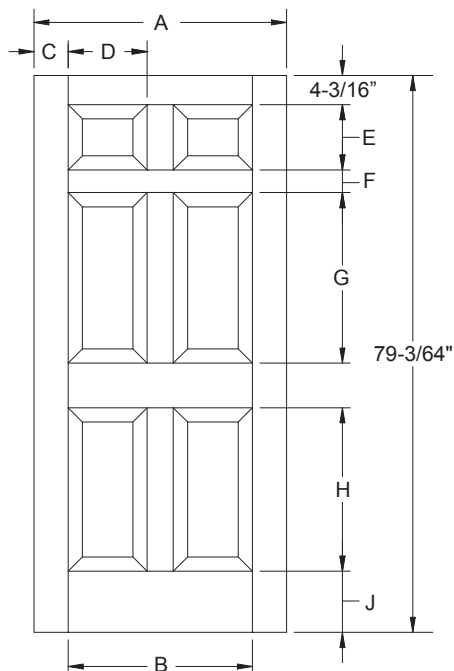


5 Panel

Classic-Craft
Panel
Dimensions

Available in:
Classic-Craft Canvas

Note:
Impact Options Available.



6 Panel

Available in:
Classic-Craft Oak
Classic-Craft Mahogany
Classic-Craft Canvas

Note:
Impact Options Available.

Classic-Craft Oak & Classic-Craft Mahogany				
Width	A	B	C	D
2/8	33-3/4"	26-3/4"	3-1/2"	11-1/2"
3/0	35-3/4"	26-3/4"	4-1/2"	11-1/2"

*Only available in Classic-Craft Oak

Classic-Craft Oak & Classic-Craft Mahogany					
Width	E	F	G	H	J
2/8	4-7/16"	3-1/4"	24-1/4"	24-1/8"	7-5/8"
3/0	9-1/4"	3-1/4"	24-1/4"	24-1/8"	7-5/8"

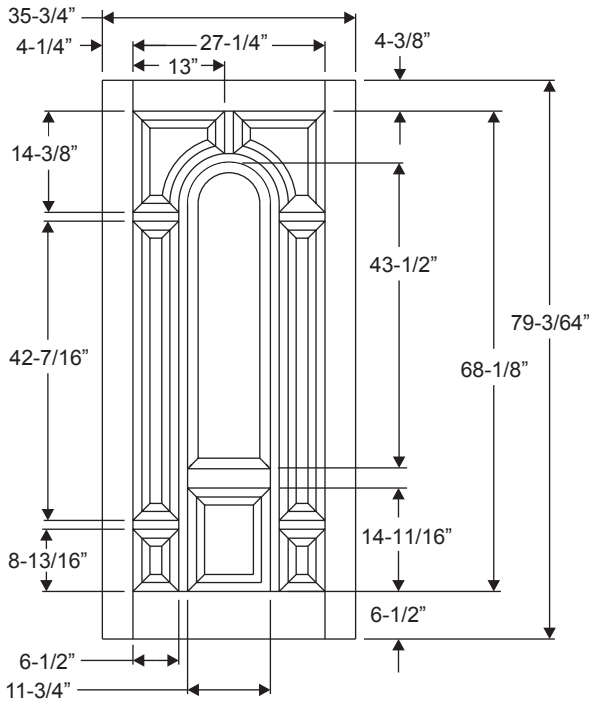
*Only available in Classic-Craft Oak

Classic-Craft Canvas				
Width	A	B	C	D
3/0	35-3/4"	26-3/16"	4-3/4"	11-1/4"

Classic-Craft Canvas					
Width	E	F	G	H	J
3/0	9-1/4"	3-1/4"	24-1/4"	23-1/4"	8-1/2"

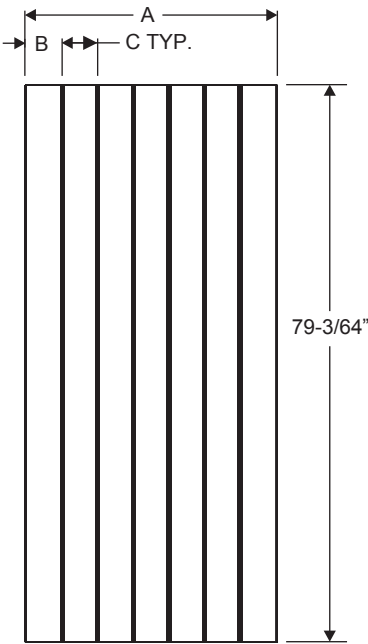
6/8 Classic-Craft

Classic-Craft
Panel
Dimensions



8 Panel

Available in:
Classic-Craft Oak
Classic-Craft Mahogany



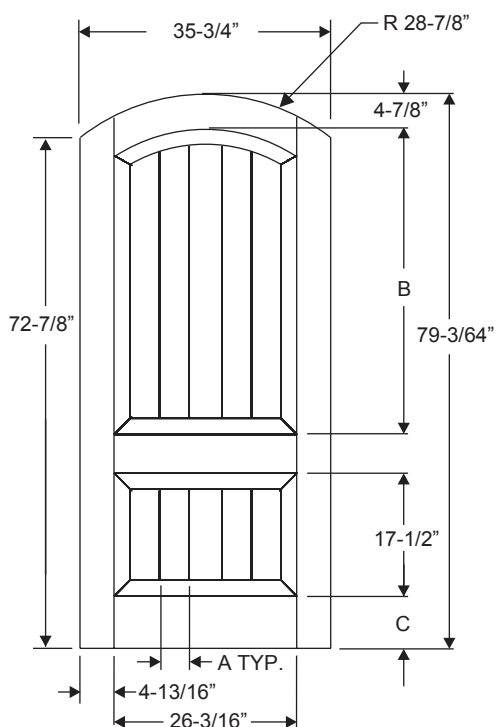
Full Plank

Available in:
Classic-Craft Rustic

Note:
3/6 has one additional plank.

Width	A	B	C
3/0	35-3/4"	5"	5-1/8"
3/6	41-3/4"	5-1/8"	5-1/4"

Arched 2 Panel Plank Soft Arch

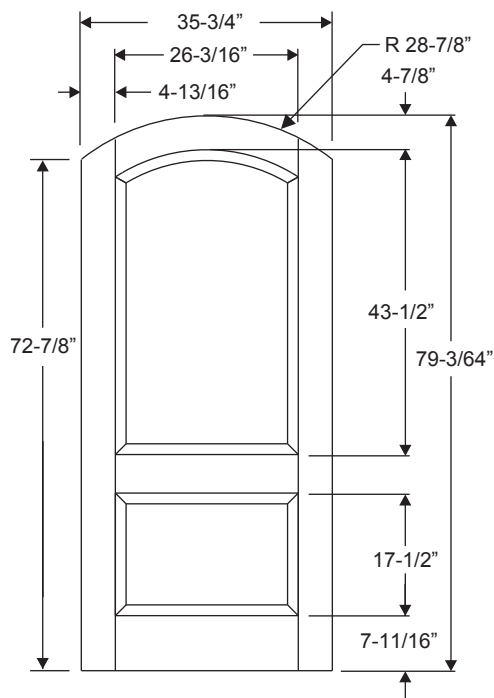


Available in:
Classic-Craft Canvas
Classic-Craft Rustic

Note:
Impact Options Available.

Door Collection	A	B	C
Classic-Craft Canvas	4-1/4"	43-9/16"	7-1/2"
Classic-Craft Rustic	4-5/8"	43-1/2"	7-5/8"

Arched 2 Panel Soft Arch

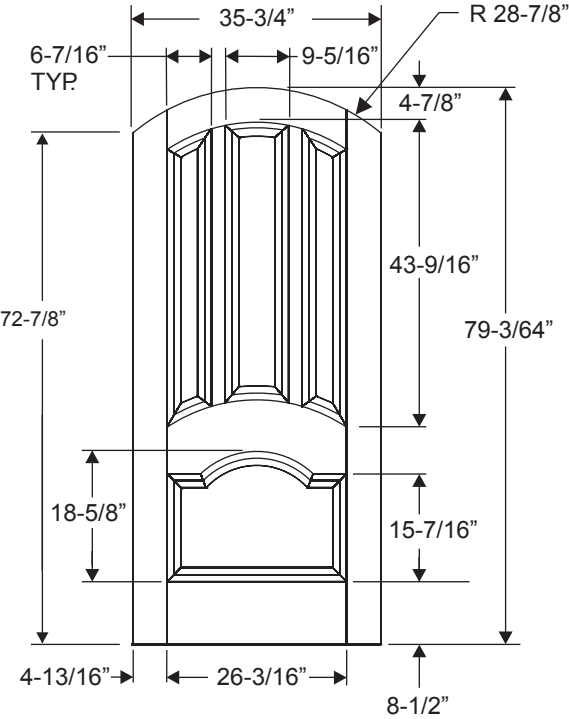


Available in:
Classic-Craft Rustic

Note:
Impact Options Available.

6/8 Classic-Craft

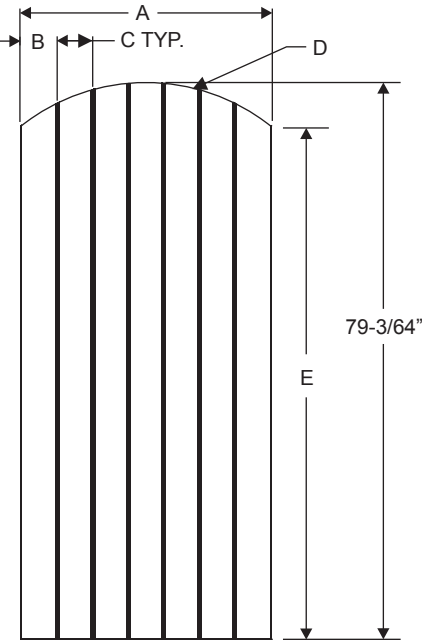
Classic-Craft
Panel
Dimensions



Arched 4 Panel Soft Arch

Available in:
Classic-Craft Canvas

Note:
Impact Options Available.

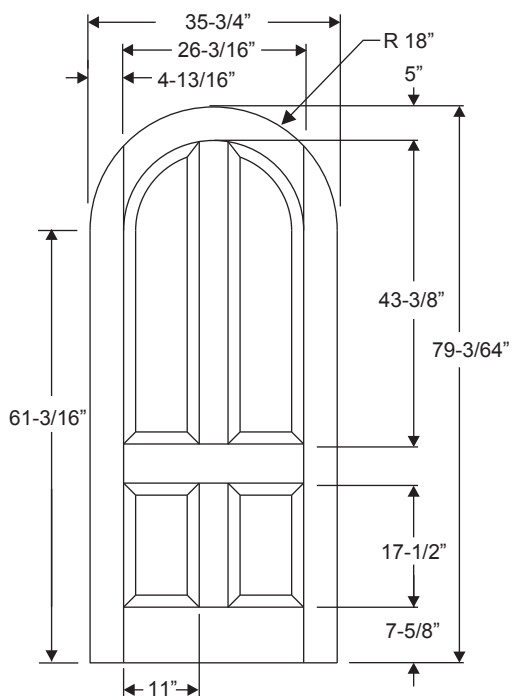


Arched Full Plank

Available in:
Classic-Craft Rustic

Note:
3/6 has one additional plank.

Width	A	B	C	D	E
3/0	35-3/4"	5"	5-1/8"	28-7/8"	72-7/8"
3/6	41-3/4"	5-1/8"	5-1/4"	40-1/8"	73-3/16"

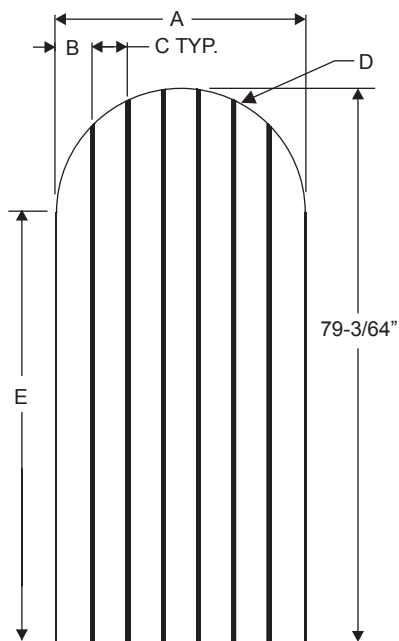


Radiused 4 Panel Round Top

Classic-Craft
Panel
Dimensions

Available in:
Classic-Craft Rustic

Note:
Impact Options Available.

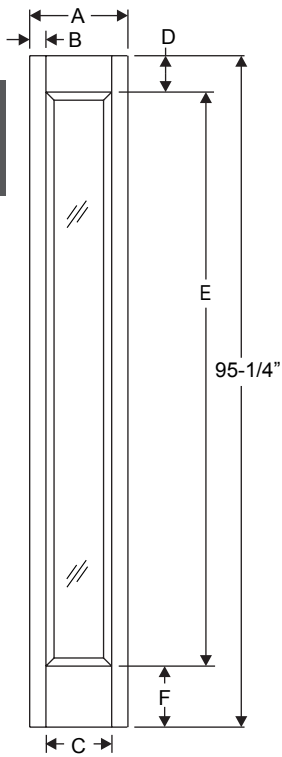


Radiused Full Plank

Available in:
Classic-Craft Rustic

Note:
3/6 has one additional plank.

Width	A	B	C	D	E
3/0	35-3/4"	5"	5-1/8"	17-15/16"	61-3/16"
3/6	41-3/4"	5-1/8"	5-1/4"	20-15/16"	58-3/16"



Classic-Craft
Panel
Dimensions

8' Full Lite Sidelite Flush-Glazed

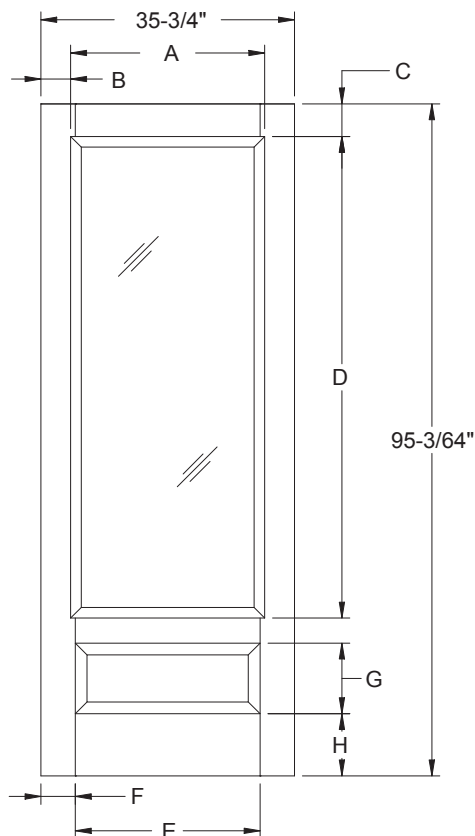
Daylight Opening:
0880 7-1/32" x 79-1/8" (556 sq.in.)

Available in:
Classic-Craft Oak
Classic-Craft Mahogany
Classic-Craft Rustic
Classic-Craft Canvas
Classic-Craft American

Classic-Craft Oak, Classic-Craft Mahogany, & Classic-Craft Rustic						
Width	A	B	C	D	E	F
12"	11-15/16"	1-5/16"	9-5/16"	5-3/16"	81-7/16"	8-5/8"
14"	13-15/16"	2-5/16"	9-5/16"	5-3/16"	81-7/16"	8-5/8"

Classic-Craft Canvas						
Width	A	B	C	D	E	F
12"	11-15/16"	2-1/8"	7-3/4"	5-1/4"	79-13/16"	10-3/16"
14"	13-15/16"	2-1/8"	7-3/4"	5-1/4"	79-13/16"	10-3/16"

Classic-Craft American Style						
Width	A	B	C	D	E	F
12"	11-15/16"	1-13/16"	8-1/4"	4-3/4"	80-3/8"	10-1/8"
14"	13-15/16"	2-13/16"	8-1/4"	4-3/4"	80-3/8"	10-1/8"



8' 3/4 Lite 1 Panel

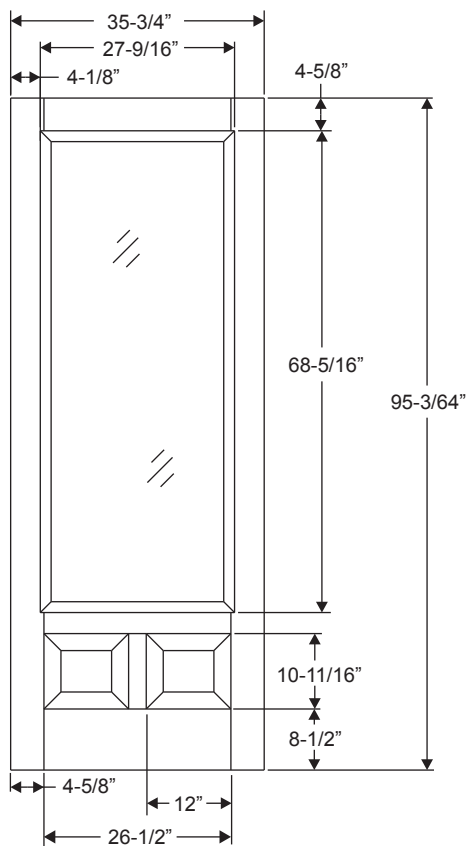
Daylight Opening:
2566 24-9/16" x 65-5/16" (1602 sq.in.)
(non wrought iron)
2566 24-1/2" x 65-1/4" (1599 sq.in.)
(wrought iron)

Available in:
Classic-Craft Oak
Classic-Craft Mahogany
Classic-Craft Canvas

Lite Description	Glass	A	B	C	D
Non-Wrought Iron	2566	27-9/16"	4-1/8"	4-5/8"	68-5/16"
Wrought Iron*	2566	27-1/2"	4-1/8"	4-1/2"	68-1/4"

*Only available in Classic-Craft Canvas and Classic-Craft Mahogany.

Door Collection	E	F	G	H
Classic-Craft Oak	26-1/2"	4-5/8"	10-5/8"	8-7/16"
Classic-Craft Mahogany	26-1/2"	4-5/8"	10-11/16"	8-7/16"
Classic-Craft Canvas	26-3/16"	4-3/4"	10"	8-9/16"

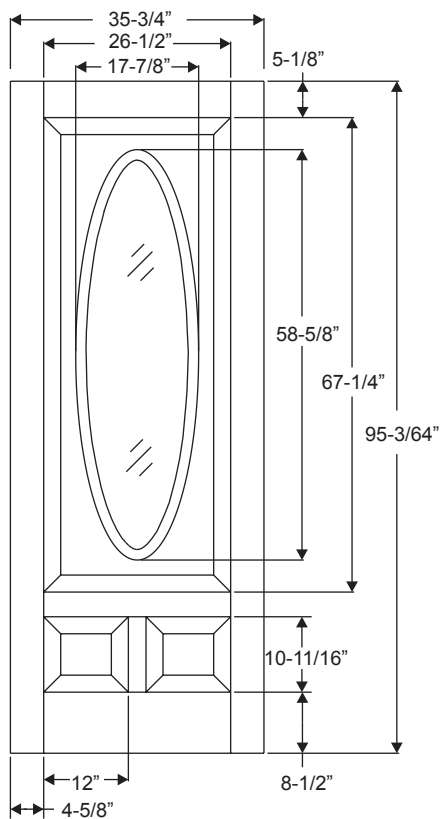


8' 3/4 Lite 2 Panel

Daylight Opening:
2566 24-9/16" x 65-5/16" (1602 sq.in.)

Available in:
Classic-Craft Oak

Classic-Craft
Panel
Dimensions



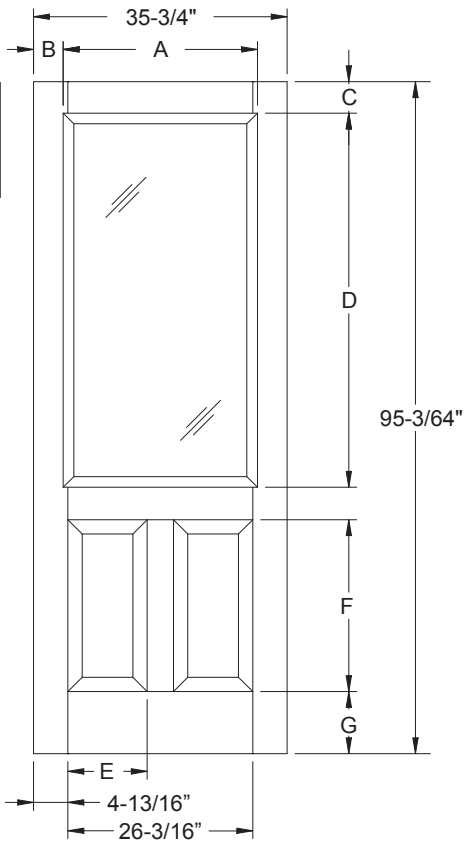
8' 3/4 Captured Oval Lite 2 Panel

Daylight Opening:
1656V 14-7/8" x 55-5/8" (645 sq.in.)

Available in:
Classic-Craft Oak

8/0 Classic-Craft

Classic-Craft
Panel
Dimensions



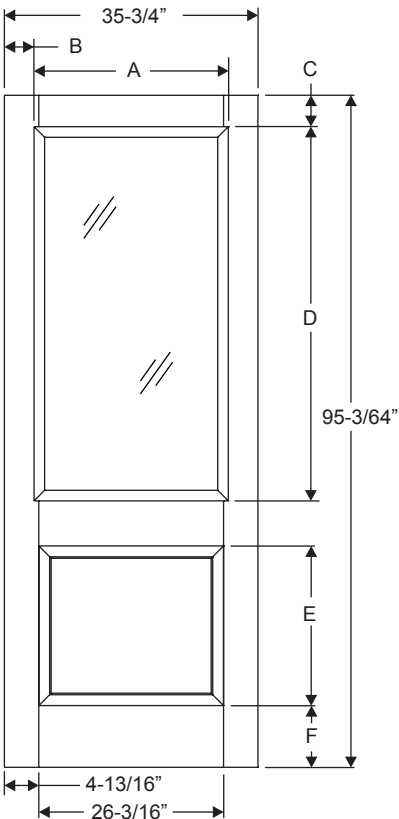
8' 2/3 Lite 2 Panel

Daylight Opening:
 2551 24-17/32" x 50-1/32" (1228 sq.in.)
 (non wrought iron)
 2551 24-1/2" x 50" (1225 sq.in.)
 (wrought iron)

Available in:
 Classic-Craft Rustic
 Classic-Craft Canvas

Lite Description	Glass	A	B	C	D
Non-Wrought Iron	2551	27-9/16"	4-1/8"	4-7/16"	53-1/16"
Wrought Iron	2551	27-1/2"	4-1/8"	4-3/8"	53"

Door Collection	E	F	G
Classic-Craft Rustic	11"	22-5/8"	8-1/2"
Classic-Craft Canvas	11-1/4"	24-3/8"	8-9/16"



8' 2/3 Lite 1 Panel

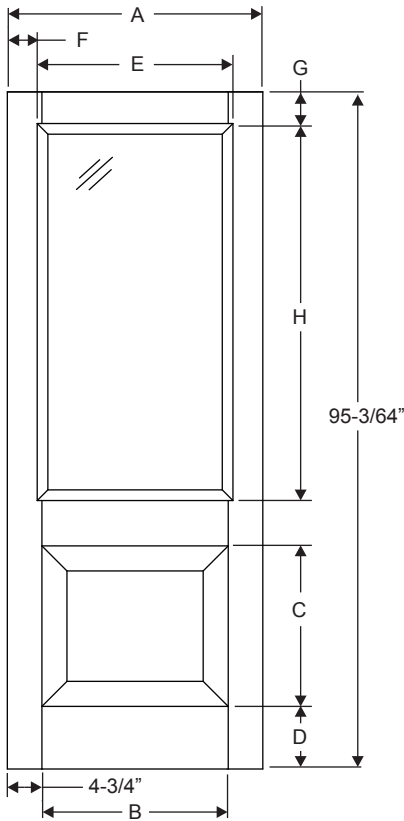
Daylight Opening:
 2551 24-9/16" x 50-1/16" (1228 sq.in.)
 (non wrought iron)
 2551 24-1/2" x 50" (1225 sq.in.)
 (wrought iron)

Available in:
 Classic-Craft Rustic

Lite Description	Glass	A	B	C	D
Non-Wrought Iron	2551	27-9/16"	4-1/8"	4-7/16"	53-1/16"
Wrought Iron	2551	27-1/2"	4-1/8"	4-3/8"	53"

Door Collection	E	F
Classic-Craft Rustic	22-5/8"	8-1/2"
Classic-Craft Canvas	22-9/16"	8-9/16"

8' 2/3 Lite 1 Panel - WS



Daylight Opening:

2551	24-9/16" x 50-1/16"	(1228 sq.in.)
2551-1W	24-1/2" x 50"	(1225 sq.in.)
3151	30-1/4" x 49-27/32"	(1508 sq.in.)
3151-1W	30-3/8" x 50"	(1520 sq.in.)

Available in:
Classic-Craft Rustic
Classic-Craft Canvas

Width	A	B
3/0	35-3/4"	26-3/16"
3/6*	41-3/4"	32-3/16"

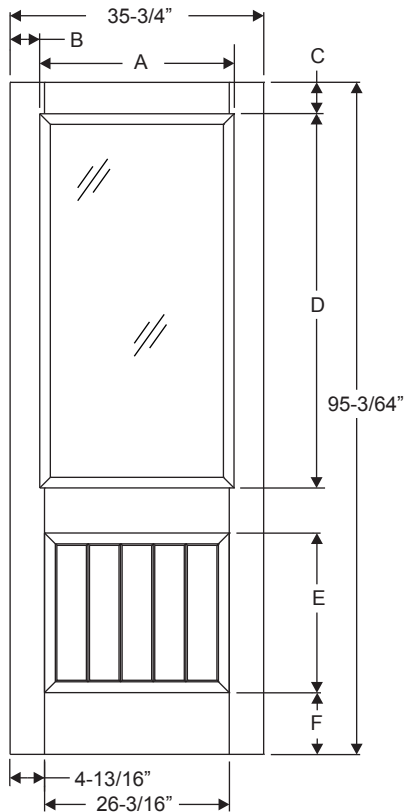
*Only available in Classic-Craft Rustic

Door Collection	C	D
Classic-Craft Rustic	22-5/8"	8-3/8"
Classic-Craft Canvas	22-9/16"	8-9/16"

Lite Description	Glass	E	F	G	H
Non-Wrought Iron	2551	27-9/16"	4-1/8"	4-7/16"	53-1/16"
Wrought Iron	2551	27-1/2"	4-1/8"	4-3/8"	53"
Non-Wrought Iron	3151	33-7/16"	4-3/16"	4-7/16"	53-1/16"
Wrought Iron	3151	33-3/8"	4-3/16"	4-3/8"	53"

Classic-Craft
Panel
Dimensions

8' 2/3 Lite 1 Panel Plank



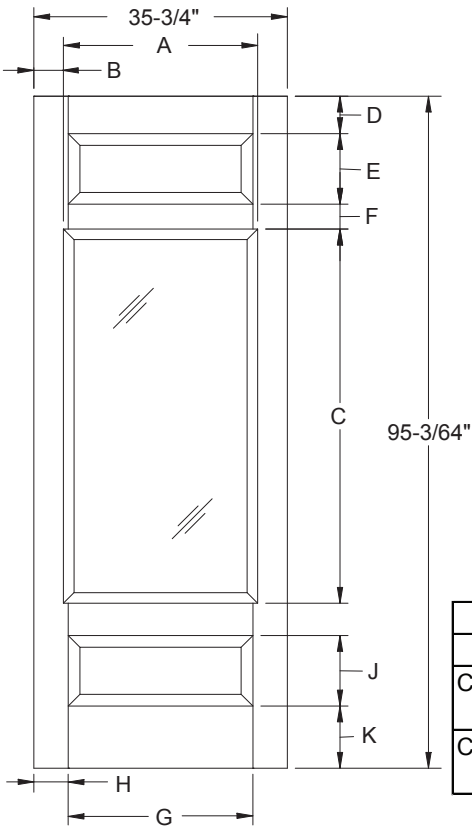
Daylight Opening:

2551	24-9/16" x 50-1/16"	(1228 sq.in.)
(non wrought iron)		
2551	24-1/2" x 50"	(1225 sq.in.)
(wrought iron)		

Available in:
Classic-Craft Rustic
Classic-Craft Canvas

Lite Description	Glass	A	B	C	D
Non-Wrought Iron	2551	27-9/16"	4-1/8"	4-7/16"	53-1/16"
Wrought Iron	2551	27-1/2"	4-1/8"	4-3/8"	53"

Door Collection	E	F
Classic-Craft Rustic	22-5/8"	8-1/2"
Classic-Craft Canvas	22-9/16"	8-9/16"



Classic-Craft
Panel
Dimensions

8' 2/3 Lite 1 Panel Top and Bottom

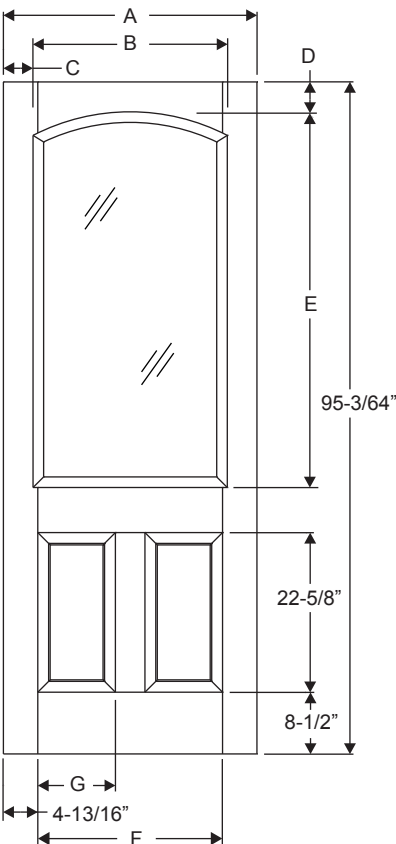
Daylight Opening:
 2551 24-9/16" x 50-1/16" (1228 sq.in.)
 (non wrought iron)
 2551 24-1/2" x 50" (1225 sq.in.)
 (wrought iron)

Available in:
 Classic-Craft Oak
 Classic-Craft Canvas

Lite Description	Glass	A	B	C
Non-Wrought Iron	2551	27-9/16"	4-1/8"	53-1/16"
Wrought Iron*	2551	27-1/2"	4-1/8"	53"

*Only available in Classic-Craft Canvas.

Door Collection	D	E	F	G	H	J	K
Classic-Craft Oak	5-1/8"	9-9/16"	3-3/4"	26-1/2"	4-5/8"	10-5/8"	8-7/16"
Classic-Craft Canvas Non-Wrought Iron	5-5/16"	10"	3-1/4"	26-3/16"	4-3/4"	10"	8-9/16"
Classic-Craft Canvas Wrought Iron	5-5/16"	10"	3-3/16"	26-3/16"	4-3/4"	10"	8-9/16"



8' 2/3 Arch Lite 2 Panel

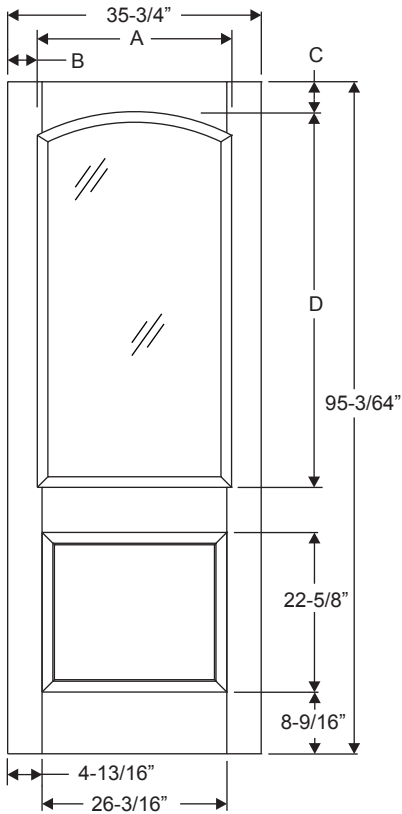
Daylight Opening:
 2551A 24-9/16" x 50-1/8" (1211 sq.in.)
 (non wrought iron)
 2551A 24-7/16" x 50-1/8" (1203 sq.in.)
 (wrought iron)
 3151A 30-3/8" x 50-1/8" (1495 sq.in.)
 (wrought iron)

Available in:
 Classic-Craft Rustic

Lite Description	Glass	A	B	C	D	E
Non-Wrought Iron	2551A	35-3/4"	27-9/16"	4-1/8"	4-1/4"	53-1/4"
Wrought Iron	2551A	35-3/4"	27-7/16"	4-3/16"	4-5/16"	53-1/8"
Wrought Iron	3151A	41-3/4"	33-3/8"	4-3/16"	4-5/16"	53-1/8"

Width	F	G
3/0	26-3/16"	11"
3/6	32-3/16"	13-3/4"

8' 2/3 Arch Lite 1 Panel



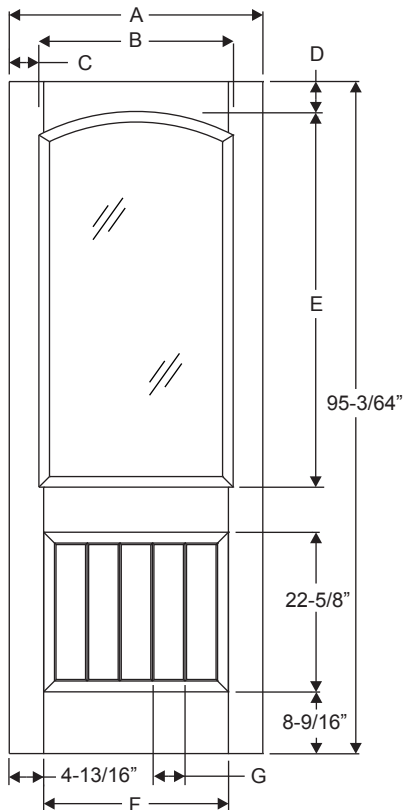
Classic-Craft
Panel
Dimensions

Daylight Opening:
 2551A 24-9/16" x 50-1/8" (1211 sq.in.)
 (non wrought iron)
 2551A 24-7/16" x 50-1/8" (1203 sq.in.)
 (wrought iron)

Available in:
 Classic-Craft Rustic

Lite Description	Glass	A	B	C	D
Non-Wrought Iron	2551A	27-9/16"	4-1/8"	4-1/4"	53-1/4"
Wrought Iron	2551A	27-7/16"	4-3/16"	4-5/16"	53-1/8"

8' 2/3 Arch Lite 1 Panel Plank



Daylight Opening:
 2551A 24-9/16" x 50-1/8" (1211 sq.in.)
 (non wrought iron)
 2551A 24-7/16" x 50-1/8" (1203 sq.in.)
 (wrought iron)
 3151A 30-3/8" x 50-1/8" (1495 sq.in.)
 (wrought iron)

Available in:
 Classic-Craft Canvas
 Classic-Craft Rustic

Lite Description	Glass	A	B	C	D	E
Non-Wrought Iron	2551A	35-3/4"	27-9/16"	4-1/8"	4-1/4"	53-1/4"
Wrought Iron	2551A	35-3/4"	27-7/16"	4-3/16"	4-5/16"	53-1/8"
Wrought Iron	3151A	41-3/4"	33-3/8"	4-3/16"	4-5/16"	53-1/8"

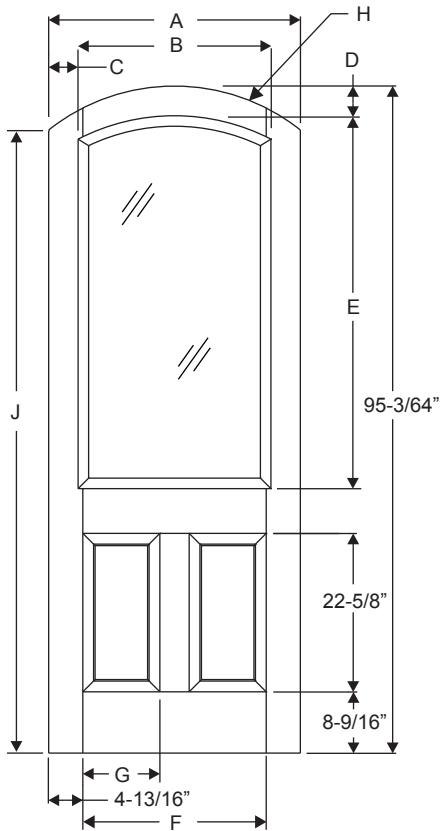
Height	F	G
3/0	26-3/16"	4-5/8"
3/6*	32-3/16"	5-13/16"

*Only available in Classic-Craft Rustic.

Door Collection	J	K
Classic-Craft Canvas	22-9/16"	8-9/16"
Classic-Craft Rustic	22-5/8"	8-1/2"

8/0 Classic-Craft

Classic-Craft
Panel
Dimensions



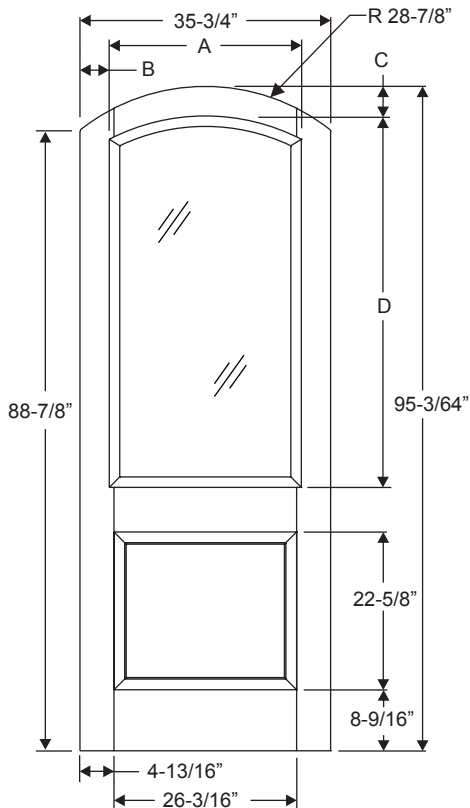
8' Arched 2/3 Arch Lite 2 Panel

Daylight Opening:
 2551A 24-9/16" x 50-1/8" (1211 sq.in.)
 (non wrought iron)
 2551A 24-7/16" x 50-1/8" (1203 sq.in.)
 (wrought iron)
 3151A 30-3/8" x 50-1/8" (1495 sq.in.)
 (wrought iron)

Available in:
 Classic-Craft Rustic

Lite Description	Glass	A	B	C	D	E
Non-Wrought Iron	2551A	35-3/4"	27-9/16"	4-1/8"	4-1/4"	53-1/4"
Wrought Iron	2551A	35-3/4"	27-7/16"	4-3/16"	4-5/16"	53-1/8"
Wrought Iron	3151A	41-3/4"	33-3/8"	4-3/16"	4-5/16"	53-1/8"

Width	F	G	H	J
3/0	26-3/16"	11"	28-7/8"	88-7/8"
3/6	32-3/16"	13-3/4"	40-1/8"	89-3/16"

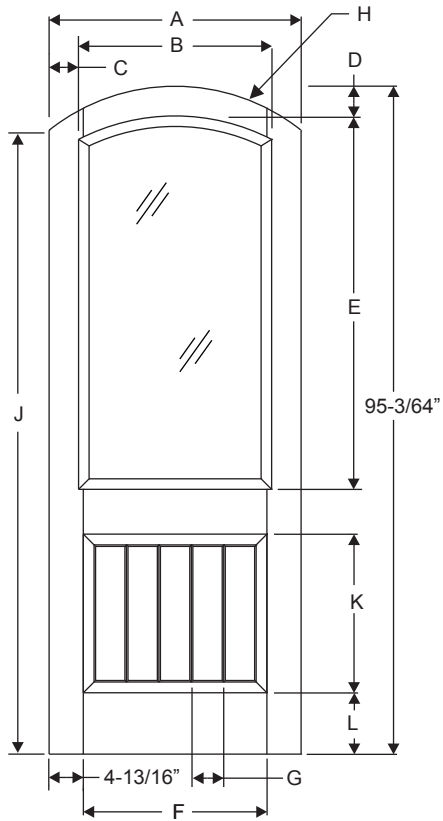


8' Arched 2/3 Arch Lite 1 Panel

Daylight Opening:
 2551A 24-9/16" x 50-1/8" (1211 sq.in.)
 (non wrought iron)
 2551A 24-7/16" x 50-1/8" (1203 sq.in.)
 (wrought iron)

Available in:
 Classic-Craft Rustic

Lite Description	Glass	A	B	C	D
Non-Wrought Iron	2551A	27-9/16"	4-1/8"	4-1/4"	53-1/4"
Wrought Iron	2551A	27-7/16"	4-3/16"	4-5/16"	53-1/8"



8' Arched 2/3 Arch Lite 1 Panel Plank

Daylight Opening:

2551A	24-9/16" x 50-1/8"	(1211 sq.in.)
(non wrought iron)		
2551A	24-7/16" x 50-1/8"	(1203 sq.in.)
(wrought iron)		
3151A	30-3/8" x 50-1/8"	(1495 sq.in.)
(wrought iron)		

Classic-Craft
Panel
Dimensions

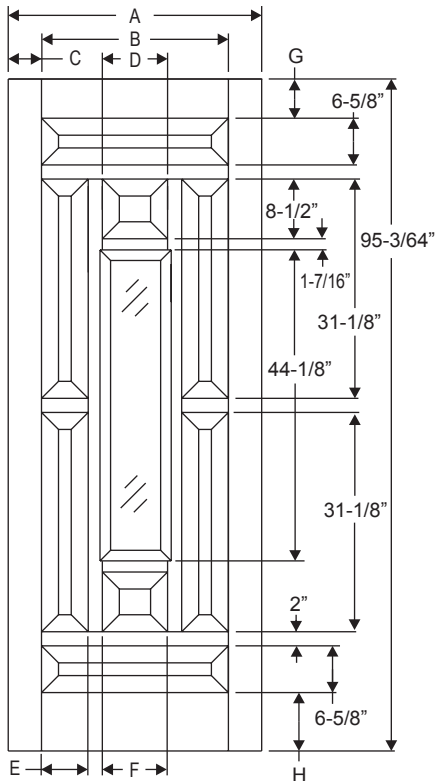
Available in:
Classic-Craft Canvas
Classic-Craft Rustic

Lite Description	Glass	A	B	C	D	E
Non-Wrought Iron	2551A	35-3/4"	27-9/16"	4-1/8"	4-1/4"	53-1/4"
Wrought Iron	2551A	35-3/4"	27-7/16"	4-3/16"	4-5/16"	53-1/8"
Wrought Iron	3151A	41-3/4"	33-3/8"	4-3/16"	4-5/16"	53-1/8"

Height	F	G	H	J
3/0	26-3/16"	4-5/8"	28-7/8"	88-7/8"
3/6*	32-3/16"	5-13/16"	40-1/8"	89-3/16"

*Only available in Classic-Craft Rustic.

Door Collection	K	L
Classic-Craft Canvas	22-9/16"	8-9/16"
Classic-Craft Rustic	22-5/8"	8-1/2"



8' Center Lite 8 Panel

Daylight Opening:

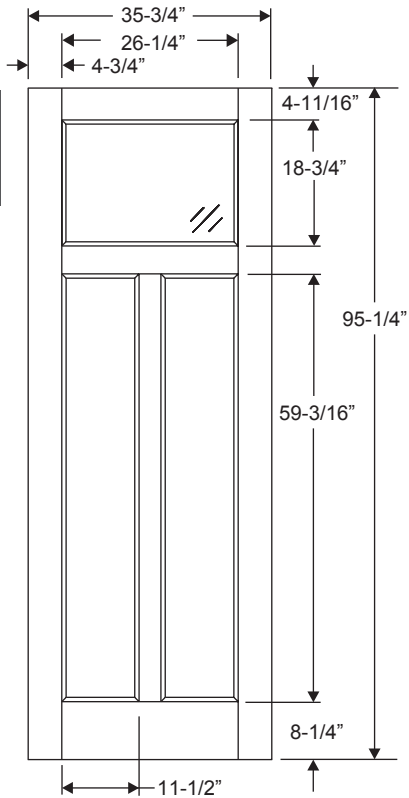
0842	7-1/8" x 41-1/8"	(292 sq.in.)
1042	9-1/8" x 41-1/8"	(374 sq.in.)

Available in:
Classic-Craft Oak

Width	Glass	A	B	C	D
3/0	0842	35-3/4"	26-1/2"	4-5/8"	9-1/4"
3/6	1042	41-3/4"	30-15/16"	5-3/8"	11-1/4"

Width	E	F	G	H
3/0	6-5/8"	9-7/8"	5-1/2"	8-1/16"
3/6	7-3/4"	11-1/2"	5-1/8"	8-7/16"

8/0 Classic-Craft

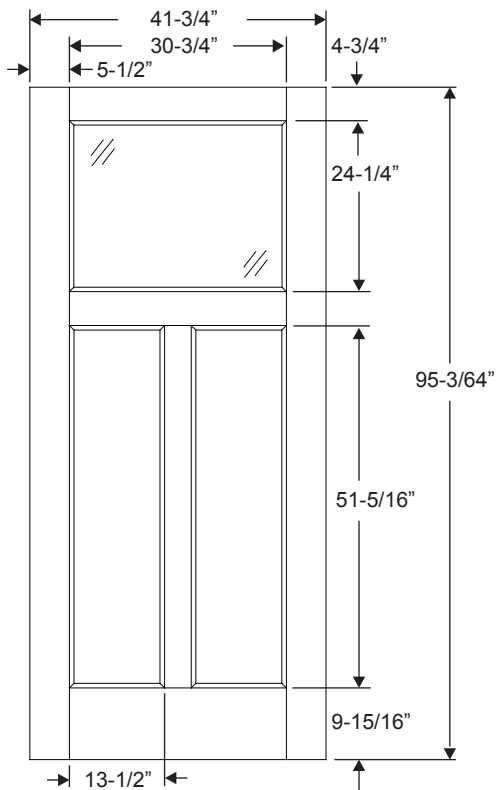


Classic-Craft
Panel
Dimensions

8' Craftsman Lite 2 Panel Flush-Glazed

Daylight Opening:
2618 25" x 17-1/2" (438 sq.in.)

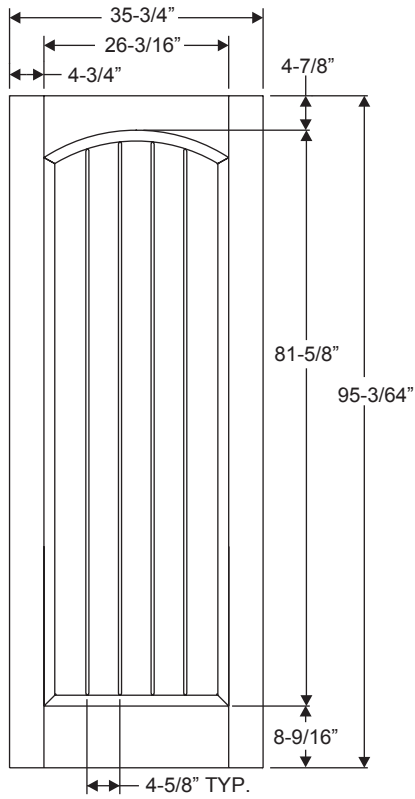
Available in:
Classic-Craft American Style



8' Craftsman Expanded Lite 2 Panel Flush-Glazed

Daylight Opening:
3024 29-1/2" x 23" (678 sq.in.)

Available in:
Classic-Craft American Style

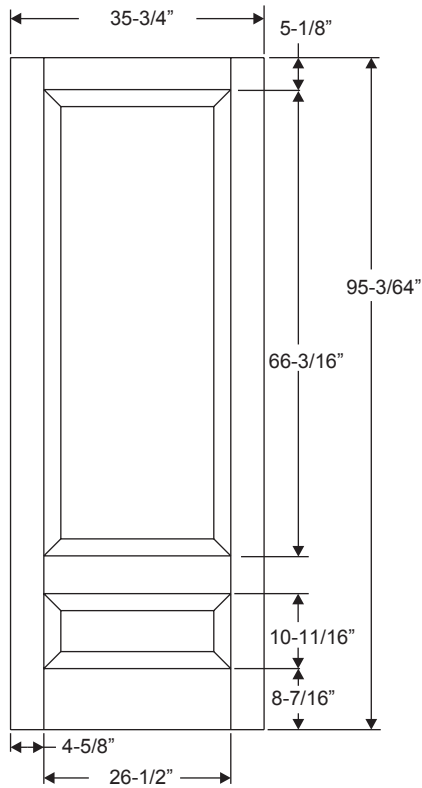


8' 1 Panel Plank Soft Arch

Available in:
Classic-Craft Rustic

Note:
Impact Options Available.

Classic-Craft
Panel
Dimensions



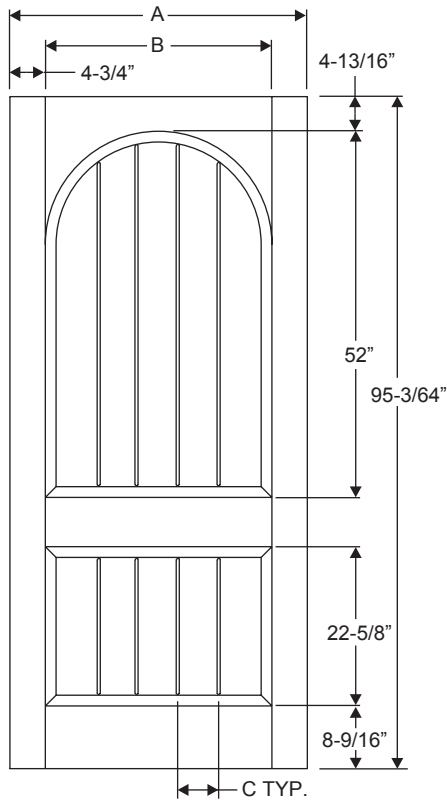
8' 2 Panel 3/4 Top

Available in:
Classic-Craft Mahogany

Note:
Impact Options Available.

8/0 Classic-Craft

Classic-Craft
Panel
Dimensions

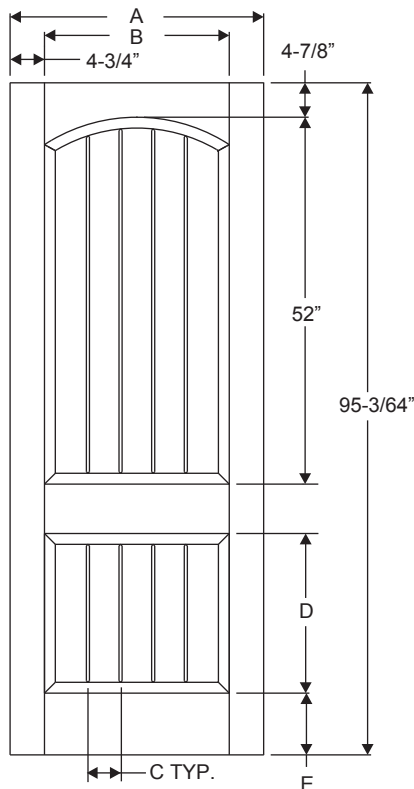


8' 2 Panel Plank Round Top

Available in:
Classic-Craft Rustic

Note:
Impact Options Available.

Width	A	B	C
3/0	35-3/4"	26-3/16"	4-5/8"
3/6	41-3/4"	32-3/16"	5-13/16"



8' 2 Panel Plank Soft Arch

Available in:
Classic-Craft Canvas
Classic-Craft Rustic

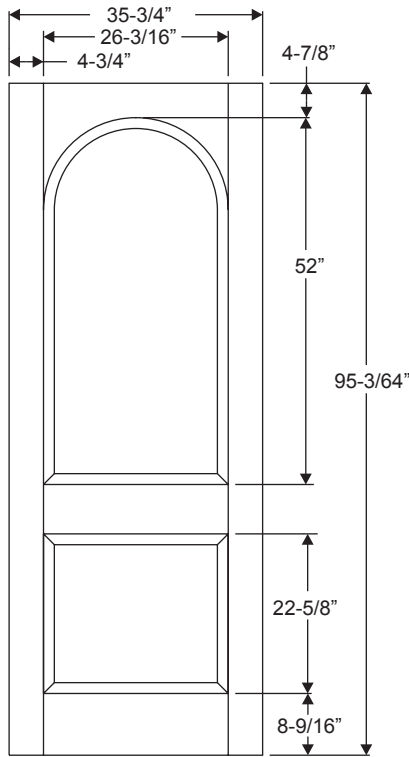
Note:
Impact Options Available.

Width	A	B	C
3/0	35-3/4"	26-3/16"	4-5/8"
3/6*	41-3/4"	32-3/16"	5-13/16"

*Only available in Classic-Craft Rustic.

Door Collection	D	E
Classic-Craft Canvas	22-9/16"	8-9/16"
Classic-Craft Rustic	22-5/8"	8-1/2"

8' 2 Panel Round Top

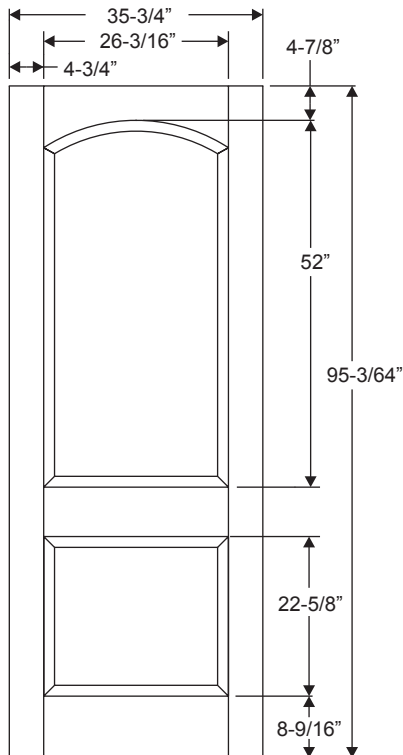


Classic-Craft
Panel
Dimensions

Available in:
Classic-Craft Rustic

Note:
Impact Options Available.

8' 2 Panel Soft Arch

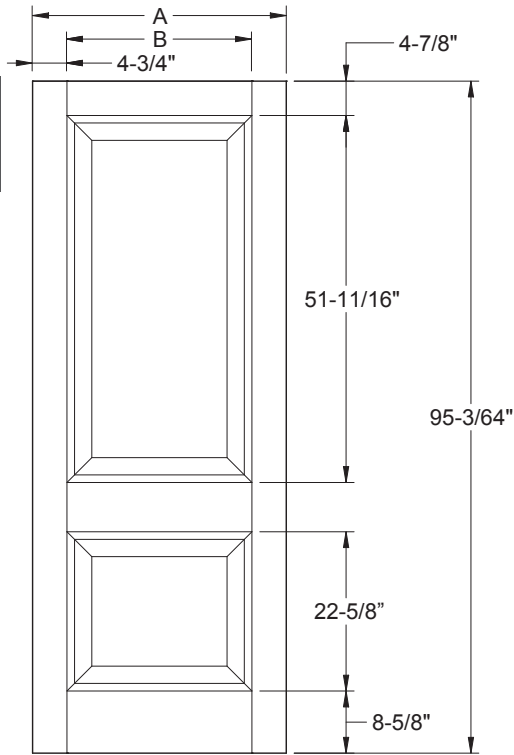


Available in:
Classic-Craft Rustic

Note:
Impact Options Available.

8/0 Classic-Craft

8' 2 Panel Square Top - WS



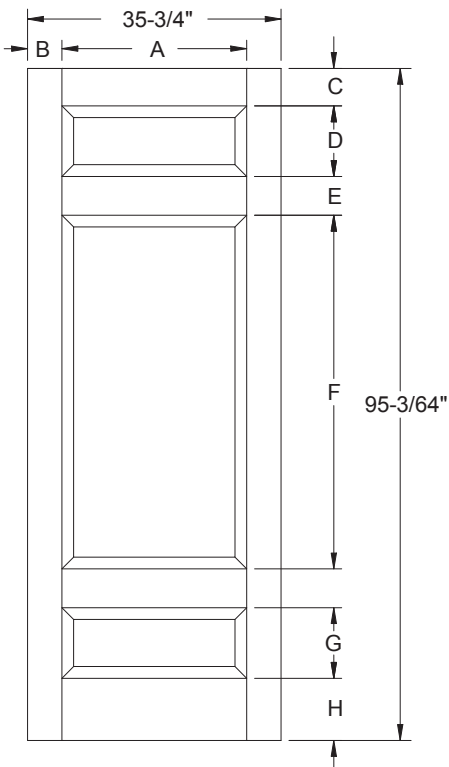
Classic-Craft
Panel
Dimensions

Available in:
Classic-Craft Rustic
Classic-Craft Canvas

Note:
Impact Options Available.

Width	A	B
3/0	35-3/4"	26-3/16"
3/6*	41-3/4"	32-3/16"

*Only available in Classic-Craft Rustic



8' 3 Panel

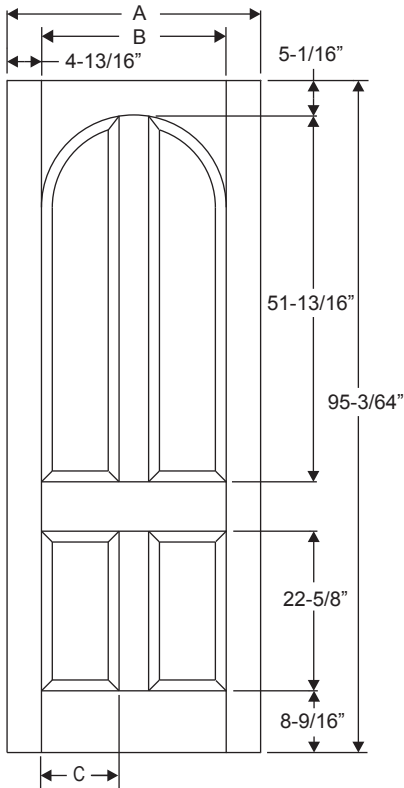
Available in:
Classic-Craft Oak
Classic-Craft Canvas

Note:
Impact Options Available.

Door Collection	A	B	C	D
Classic-Craft Oak	26-1/2"	4-5/8"	5-1/8"	9-9/16"
Classic-Craft Canvas	26-3/16"	4-3/4"	5-5/16"	10"

Door Collection	E	F	G	H
Classic-Craft Oak	4-5/8"	52"	10-5/8"	8-7/16"
Classic-Craft Canvas	5-1/2"	50-1/8"	10"	8-9/16"

8' 4 Panel Round Top



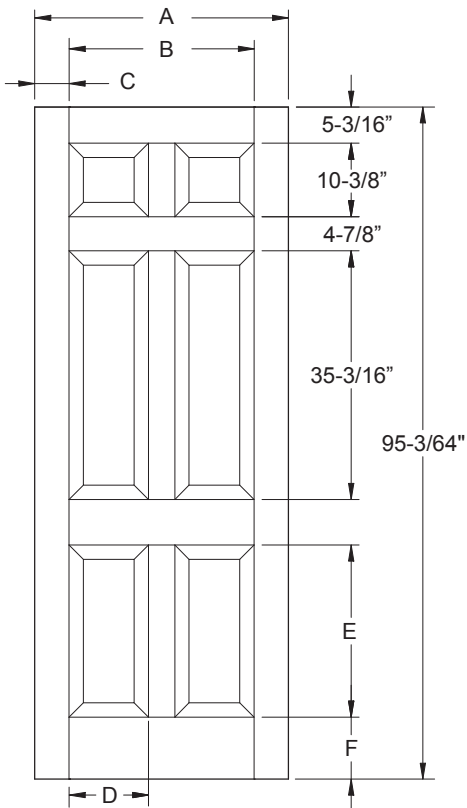
Classic-Craft
Panel
Dimensions

Available in:
Classic-Craft Rustic

Note:
Impact Options Available.

Width	A	B	C
3/0	35-3/4"	26-3/16"	11"
3/6	41-3/4"	32-3/16"	13-3/4"

8' 6 Panel



Available in:
Classic-Craft Oak
Classic-Craft Canvas

Note:
Impact Options Available.

Width	A	B	C	D
3/0*	35-3/4"	26-3/16"	4-3/4"	11-1/4"
3/6◇	41-3/4"	30-15/16"	5-3/8"	13-1/4"

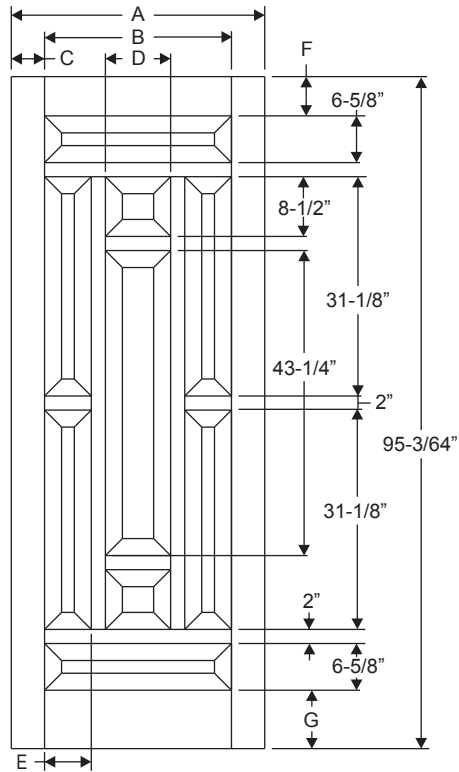
◇Only available in Classic-Craft Oak.

*Only available in Classic-Craft Canvas

Width	E	F
3/0*	24-3/8"	8-9/16"
3/6◇	24-1/2"	8-7/16"

8/0 Classic-Craft

Classic-Craft
Panel
Dimensions



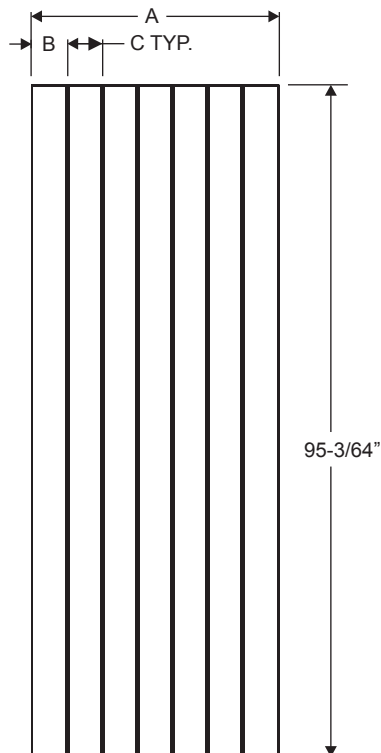
8' 9 Panel

Available in:
Classic-Craft Oak

Note:
Impact Options Available.

Width	A	B	C	D
3/0	35-3/4"	26-1/2"	4-5/8"	9-1/4"
3/6	41-3/4"	30-15/16"	5-3/8"	11-1/4"

Width	E	F	G
3/0	6-5/8"	5-3/4"	8-1/16"
3/6	7-3/4"	5-3/8"	8-7/16"

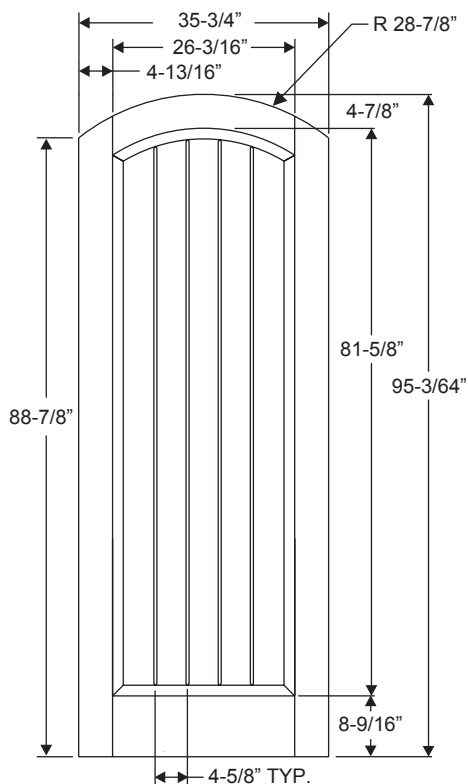


8' Full Plank

Available in:
Classic-Craft Rustic

Note:
3/6 has one additional plank.

Width	A	B	C
3/0	35-3/4"	5-3/16"	5-1/8"
3/6	41-3/4"	5-5/16"	5-1/4"

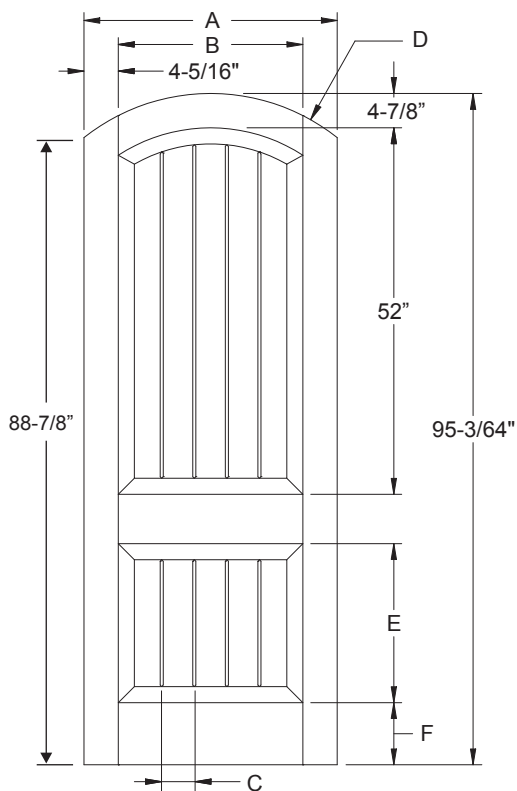


8' Arched 1 Panel Plank Soft Arch

Available in:
Classic-Craft Rustic

Classic-Craft
Panel
Dimensions

Note:
Impact Options Available.



8' Arched 2 Panel Plank Soft Arch

Available in:
Classic-Craft Canvas
Classic-Craft Rustic

Note:
Impact Options Available.

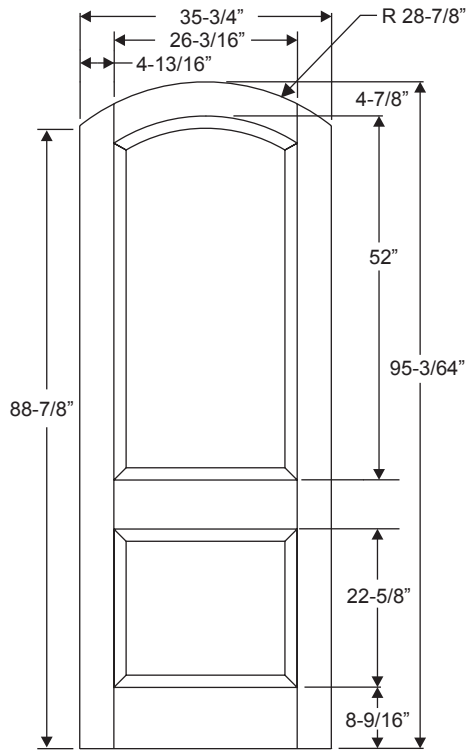
Width	A	B	C
3/0	35-3/4"	26-3/16"	4-5/8"
3/6*	41-3/4"	32-3/16"	5-13/16"

*Only available in Classic-Craft Rustic.

Door Collection	E	F
Classic-Craft Canvas	22-9/16"	8-9/16"
Classic-Craft Rustic	22-5/8"	8-1/2"

8/0 Classic-Craft

Classic-Craft
Panel
Dimensions

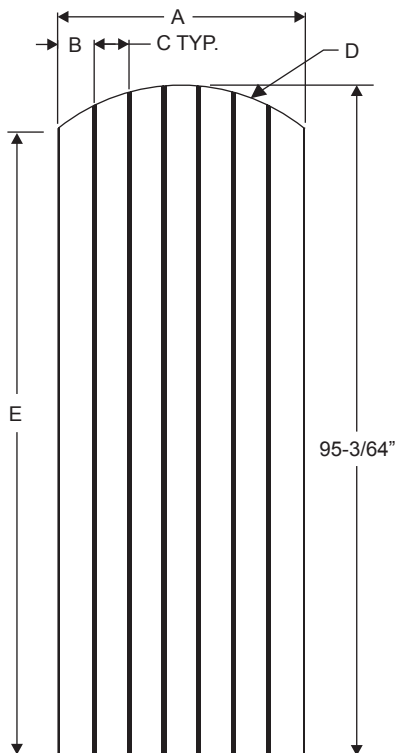


8' Arched 2 Panel Soft Arch

Available in:
Classic-Craft Rustic

Note:
Impact Options Available.

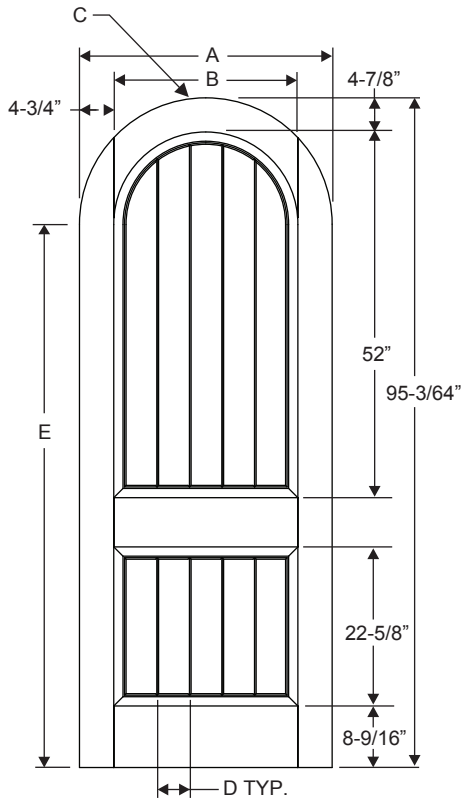
8' Arched Full Plank



Available in:
Classic-Craft Rustic

Width	A	B	C	D	E
3/0	35-3/4"	5-3/16"	5-1/8"	28-7/8"	88-7/8"
3/6	41-3/4"	5-5/16"	5-1/4"	40-1/8"	89-5/16"

8' Radiused 2 Panel Plank Round Top



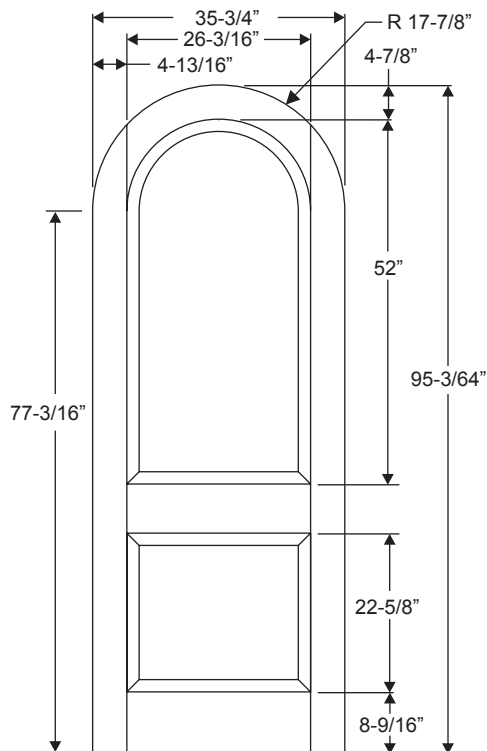
Available in:
Classic-Craft Rustic

Classic-Craft
Panel
Dimensions

Note:
Impact Options Available.

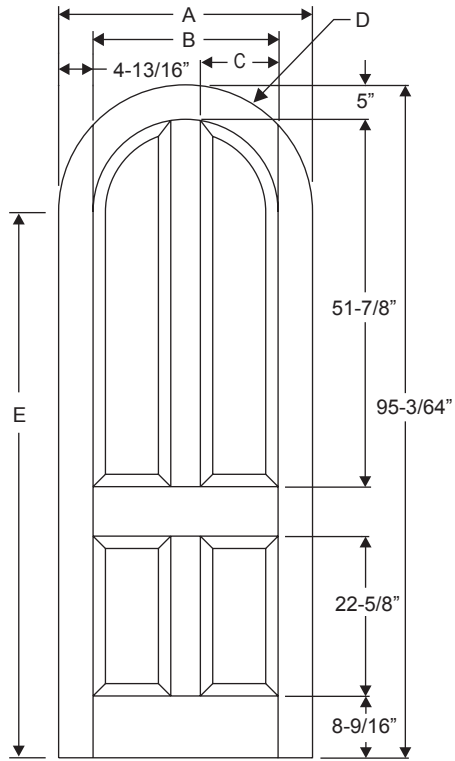
Width	A	B	C	D	E
3/0	35-3/4"	26-3/16"	17-7/8"	4-5/8"	77-1/4"
3/6	41-3/4"	32-3/16"	20-7/8"	5-13/16"	74-1/4"

8' Radiused 2 Panel Round Top



Available in:
Classic-Craft Rustic

Note:
Impact Options Available.

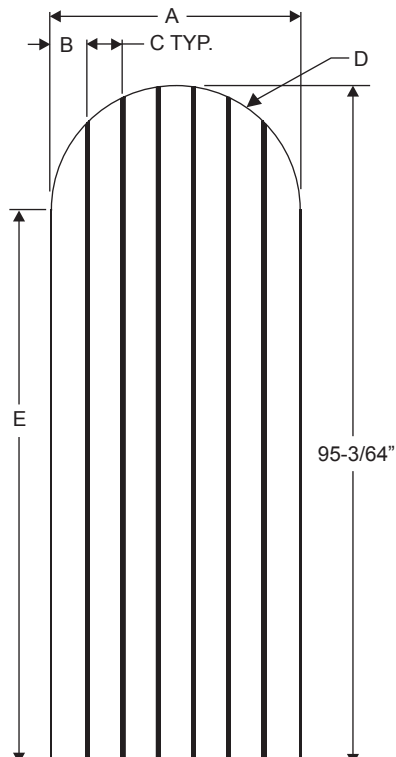


8' Radiused 4 Panel Round Top

Available in:
Classic-Craft Rustic

Note:
Impact Options Available.

Width	A	B	C	D	E
3/0	35-3/4"	26-3/16"	11"	17-7/8"	77-3/16"
3/6	41-3/4"	32-3/16"	13-3/4"	20-7/8"	74-3/16"



8' Radiused Full Plank

Available in:
Classic-Craft Rustic

Width	A	B	C	D	E
3/0	35-3/4"	5-3/16"	5-1/8"	17-7/8"	77-3/16"
3/6	41-3/4"	5-5/16"	5-1/4"	20-7/8"	74-3/16"