

Dentil Shelves ..... 13.3

Transport Clips ..... 13.4

Corner Seal Pads..... 13.5

Jamb Spacer Shim ..... 13.7

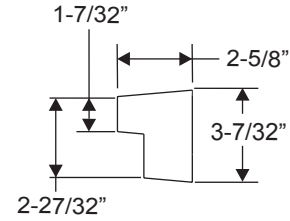
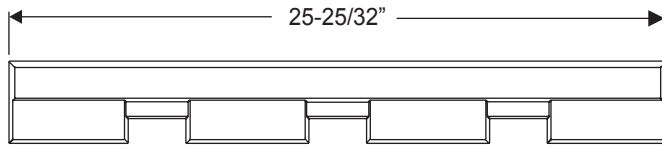
Lock Bore Sleeve..... 13.8

Outswing Jamb Kerf Plug..... 13.9



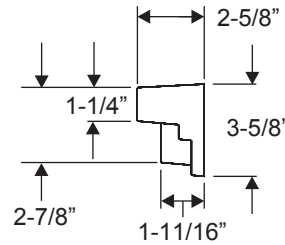
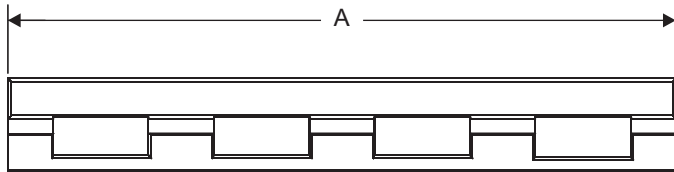
**4 Block Dentil Shelf**

Available in:  
Classic-Craft Canvas



**4 Block Dentil Shelf**

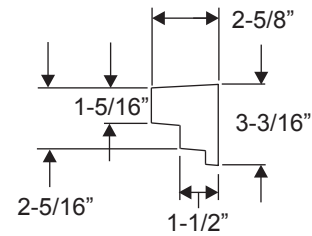
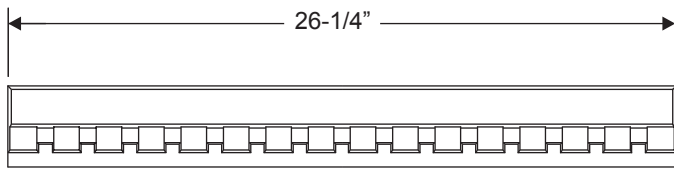
Available in:  
Classic-Craft American



Door Width	A
3/0	26-1/4"
3/6	35-1/8"

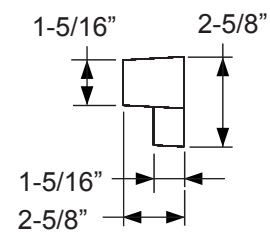
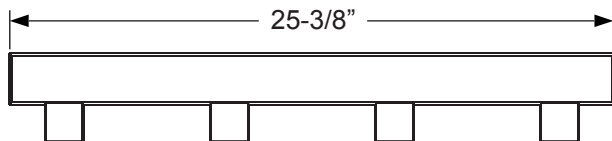
**16 Block Dentil Shelf**

Available in:  
Classic-Craft American

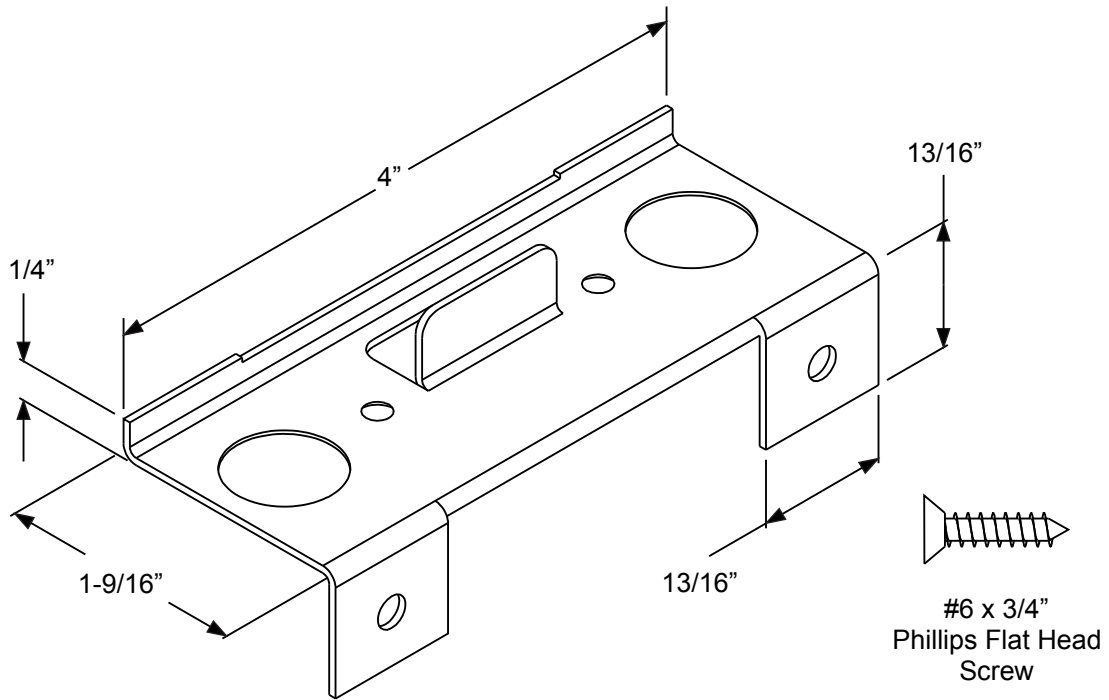


**4 Block Dentil Shelf**

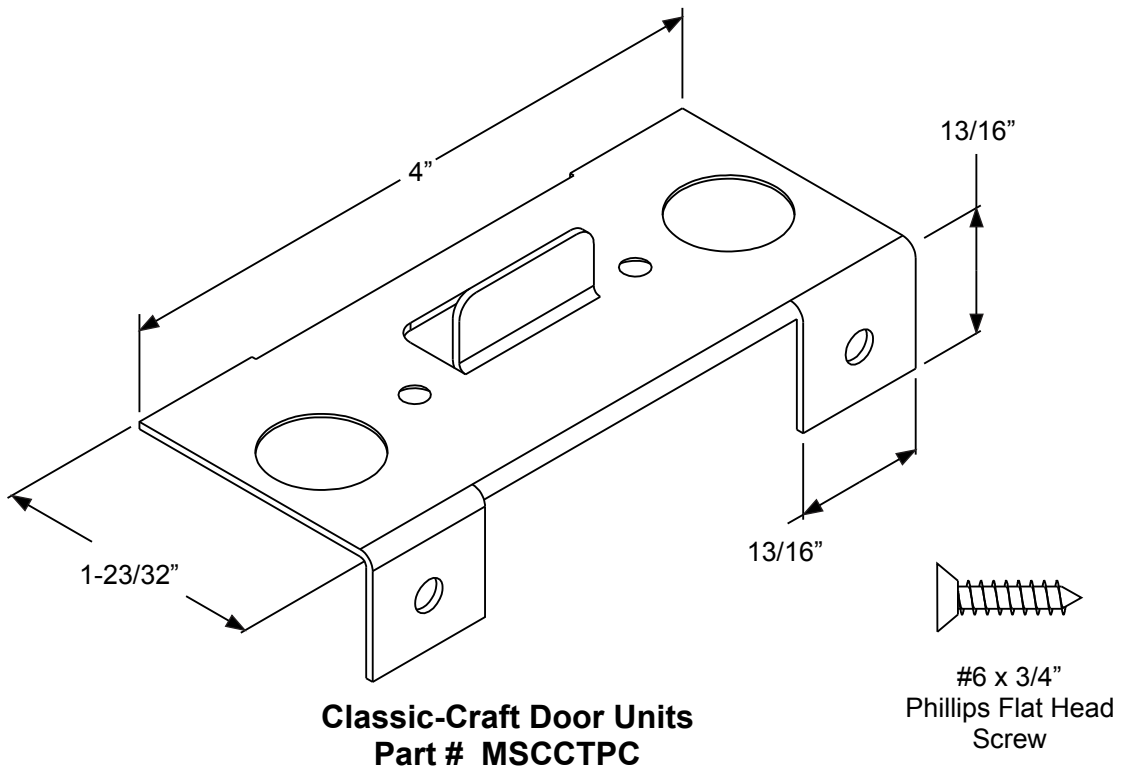
Available in:  
Fiber-Classic Mahogany  
Smooth-Star



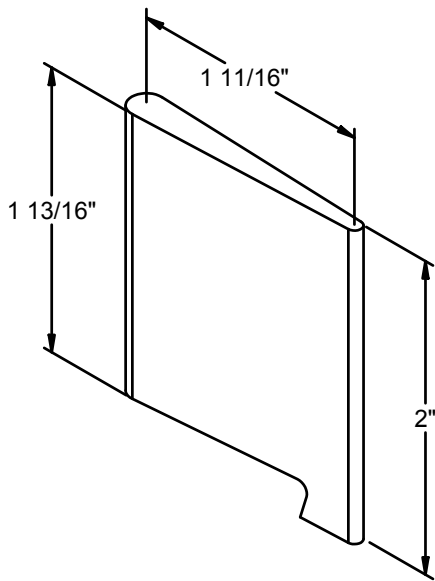
Accessories



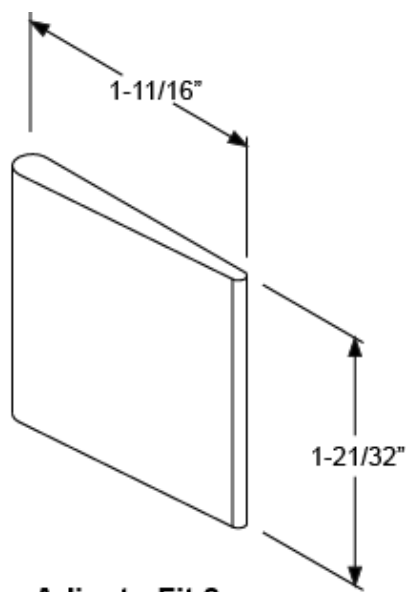
**Fiber-Classic, Smooth-Star and Steel Door Units**  
**Part # MS00TPC**



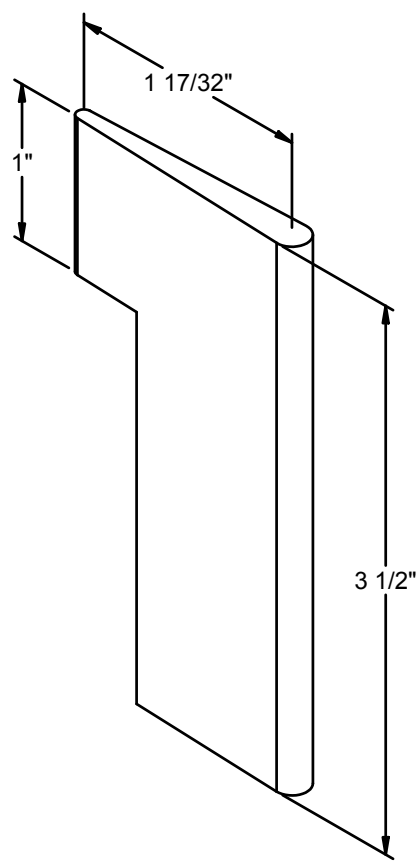
**Classic-Craft Door Units**  
**Part # MSCCTPC**



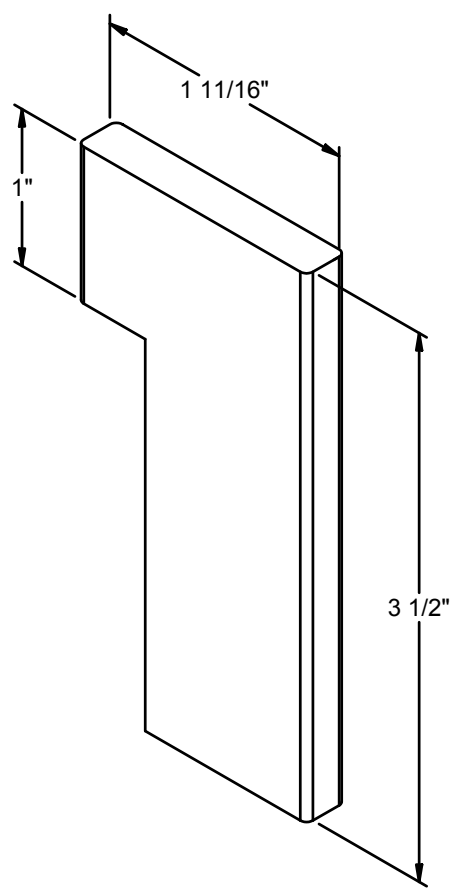
**For Basic Fixed Sills**  
(Pads are handed)



**For Adjusta-Fit 2**

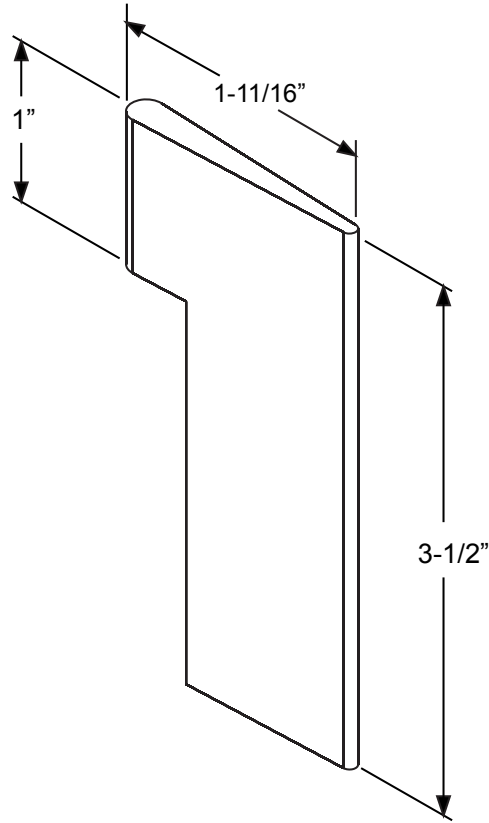


**Classic-Craft**  
**for Hinge Jambs/Mullions**  
(Pads are handed)

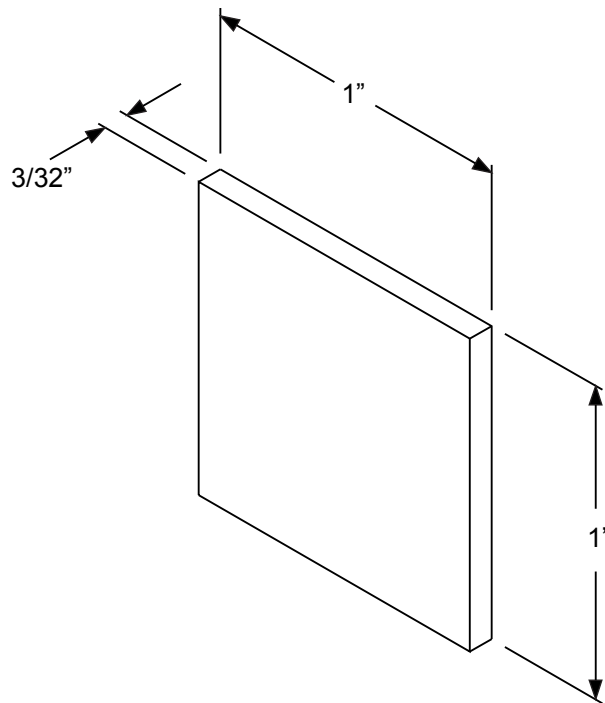


**Classic-Craft**  
**for Lock Jambs/Mullions**  
(Pads are handed)

Accessories

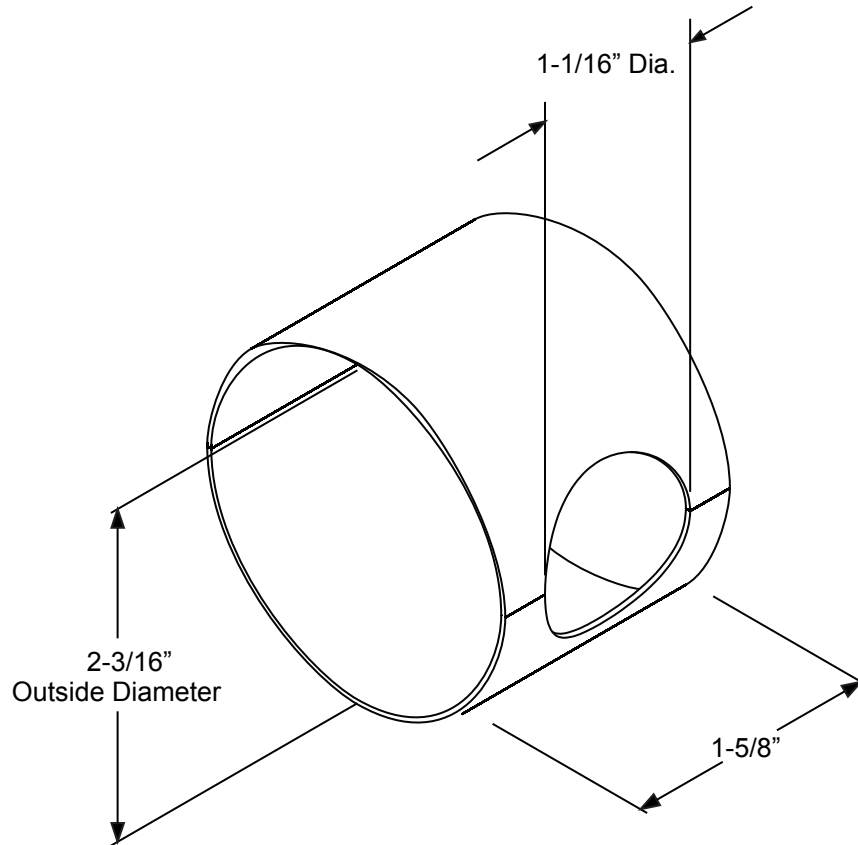


**Stepped Corner Seal Pad  
for Composite/Hardwood  
Adjustable Sill**  
(Pads are handed)



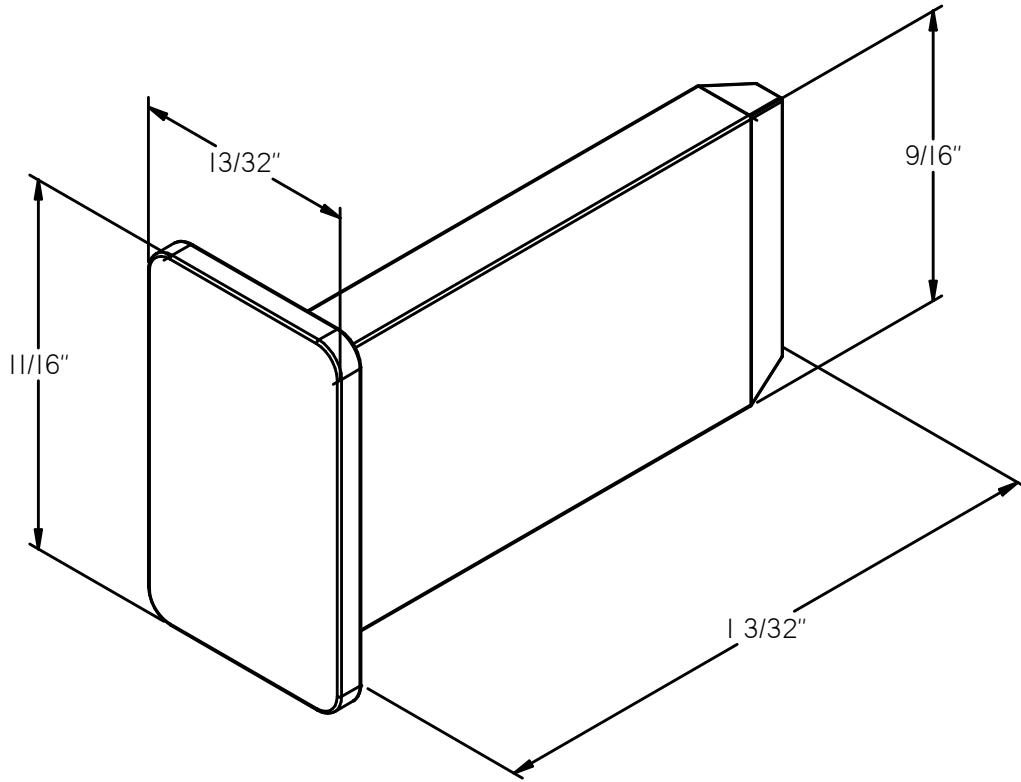
**Part Number: MS00JBS**

Accessories



Part Number: MSTBPLR





**Composite Outswing Jamb Kerf Plug**