

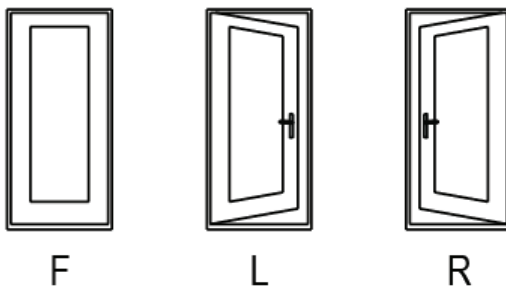
Exploded View and Part Identification .....	2.3
Classic-Craft American Style.....	2.24
Classic-Craft American Style 8/0.....	2.26
Classic-Craft Canvas Style .....	2.28
Classic-Craft Canvas Style 8/0 .....	2.38
Classic-Craft Mahogany.....	2.40
Classic-Craft Mahogany 8/0.....	2.42
Classic-Craft Oak.....	2.44
Classic-Craft Oak 8/0.....	2.46
Classic-Craft Rustic .....	2.48
Classic-Craft Rustic 8/0 .....	2.50
Classic-Craft Rustic Radius Top .....	2.52
Classic-Craft Rustic Arch Top .....	2.54
Classic-Craft Rustic Square Top Impact .....	2.56
Classic-Craft Rustic Impact.....	2.58
Fiber-Classic Mahogany .....	2.60
Fiber-Classic Oak .....	2.62
Fiber-Classic Oak Designline .....	2.68
Fiber-Classic Oak Flush-Glazed Door .....	2.70
Fiber-Classic Oak 8/0 .....	2.72
Smooth-Star .....	2.74
Smooth-Star Raised Panel.....	2.80
Smooth-Star Raised Panel.....	2.81
Smooth-Star Flush-Glazed Door .....	2.83
Smooth-Star 8/0 .....	2.86
Smooth-Star Flush-Glazed Door 8/0 .....	2.88
Smooth-Star / Fiber-Classic Impact Door .....	2.90
Traditions .....	2.92
Profiles .....	2.94
Adjusta-Fit® 2 Frame .....	2.96
Rectangular Transom.....	2.98
Elliptical Transom.....	2.99
Half Round Transom .....	2.100
Direct Set Sidelite .....	2.101



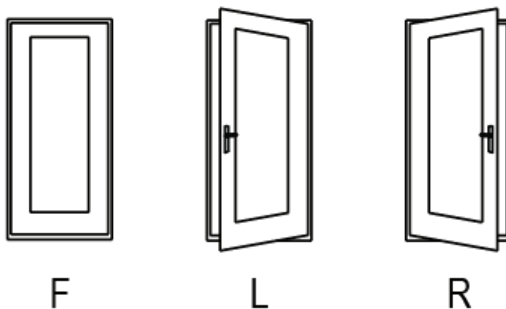
The following pages show exploded views of Therma-Tru door slabs. All Therma-Tru door slabs (except flush-glazed doors with Low-E glass, or bevelline glass) are reversible for handing and swing. Mounting hardware, components, and accessories will hand the door. Make sure to have a clear understanding of handing before proceeding. See the illustrations below for determining the handing of a door.

<b>Hand Designations</b> (Viewed from the exterior)	
F	Fixed Panel
L	Left Hand
R	Right Hand

**Inswing**

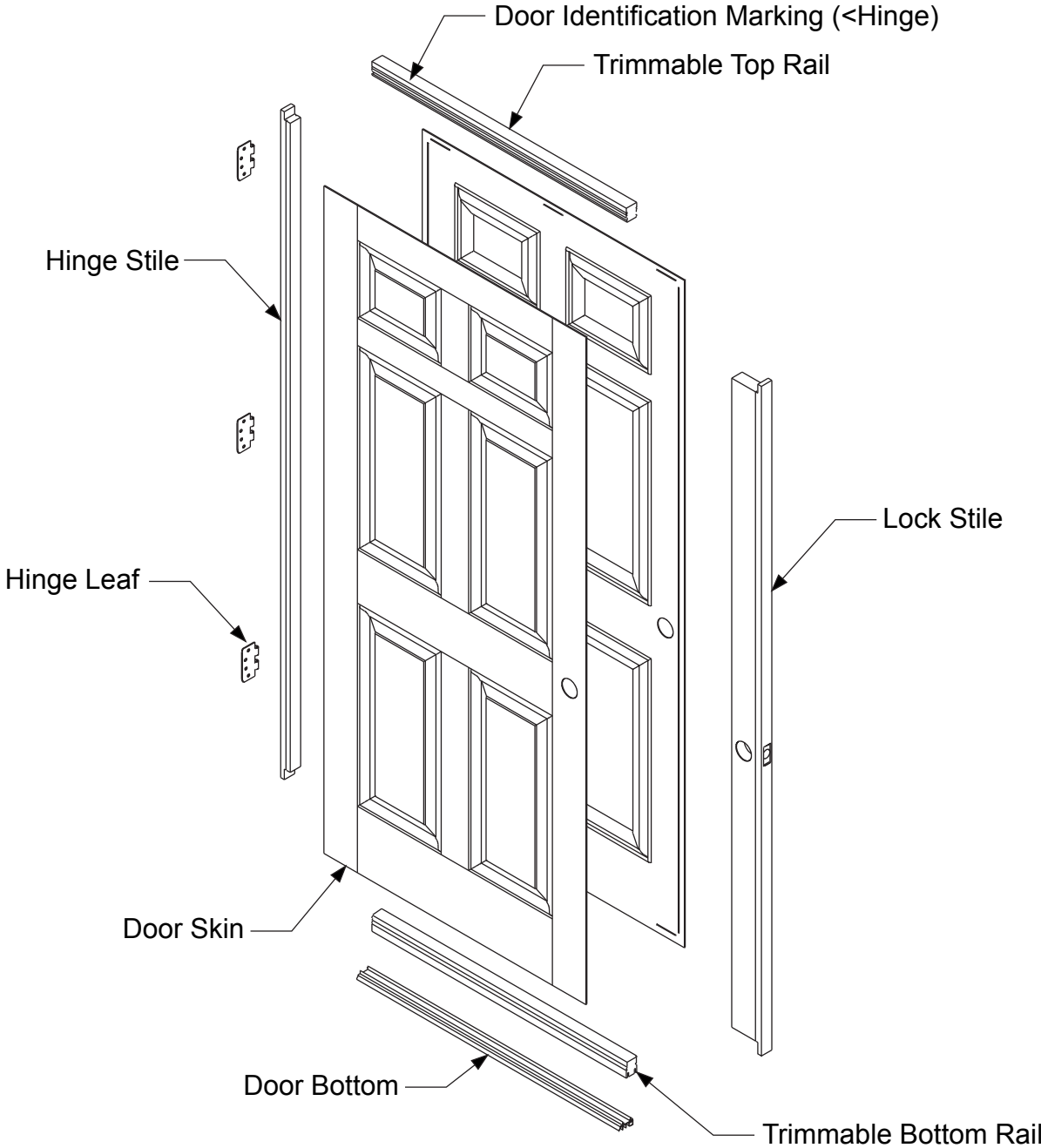


**Outswing**

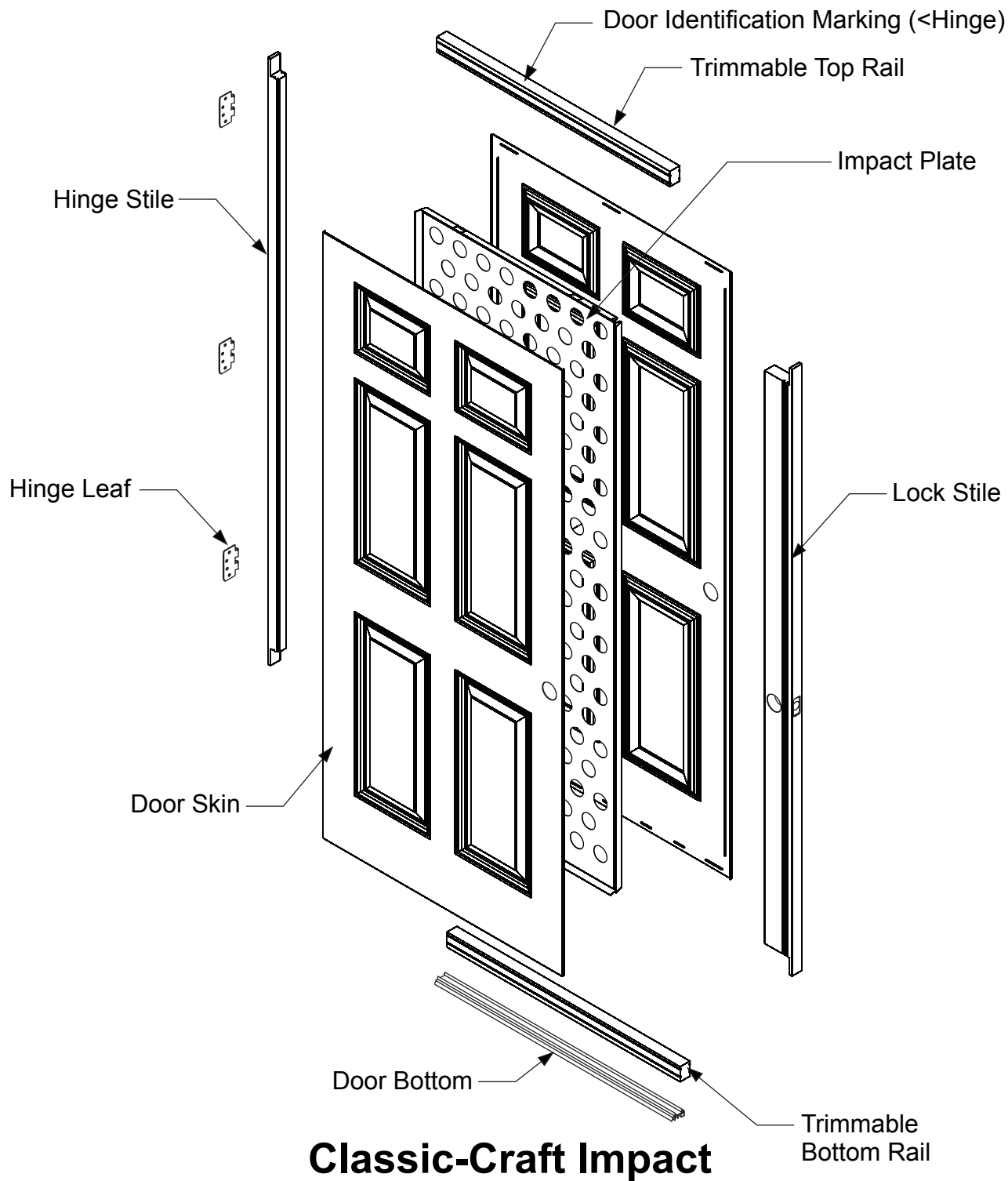


# Exploded View and Part Identification

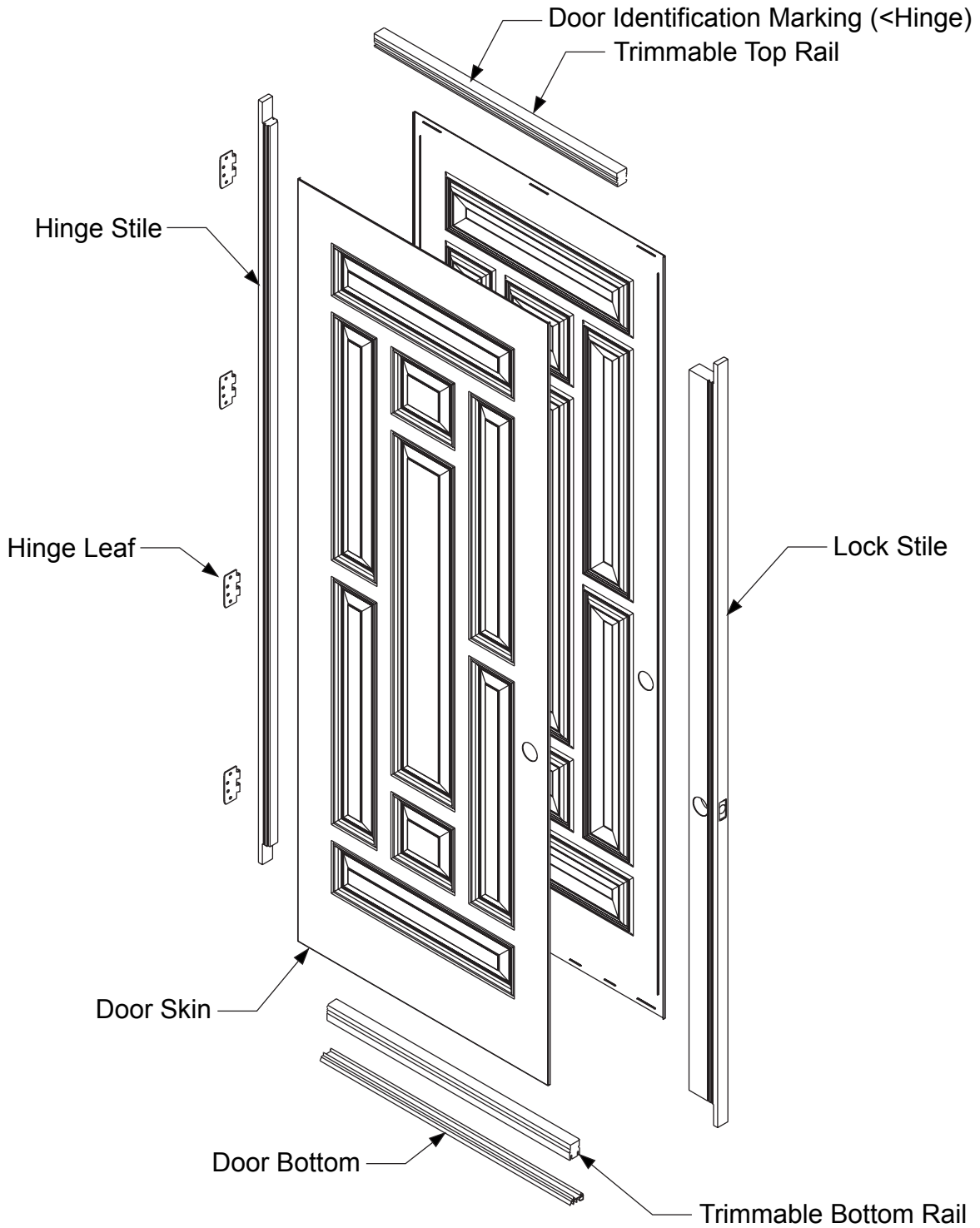
Architectural  
Details



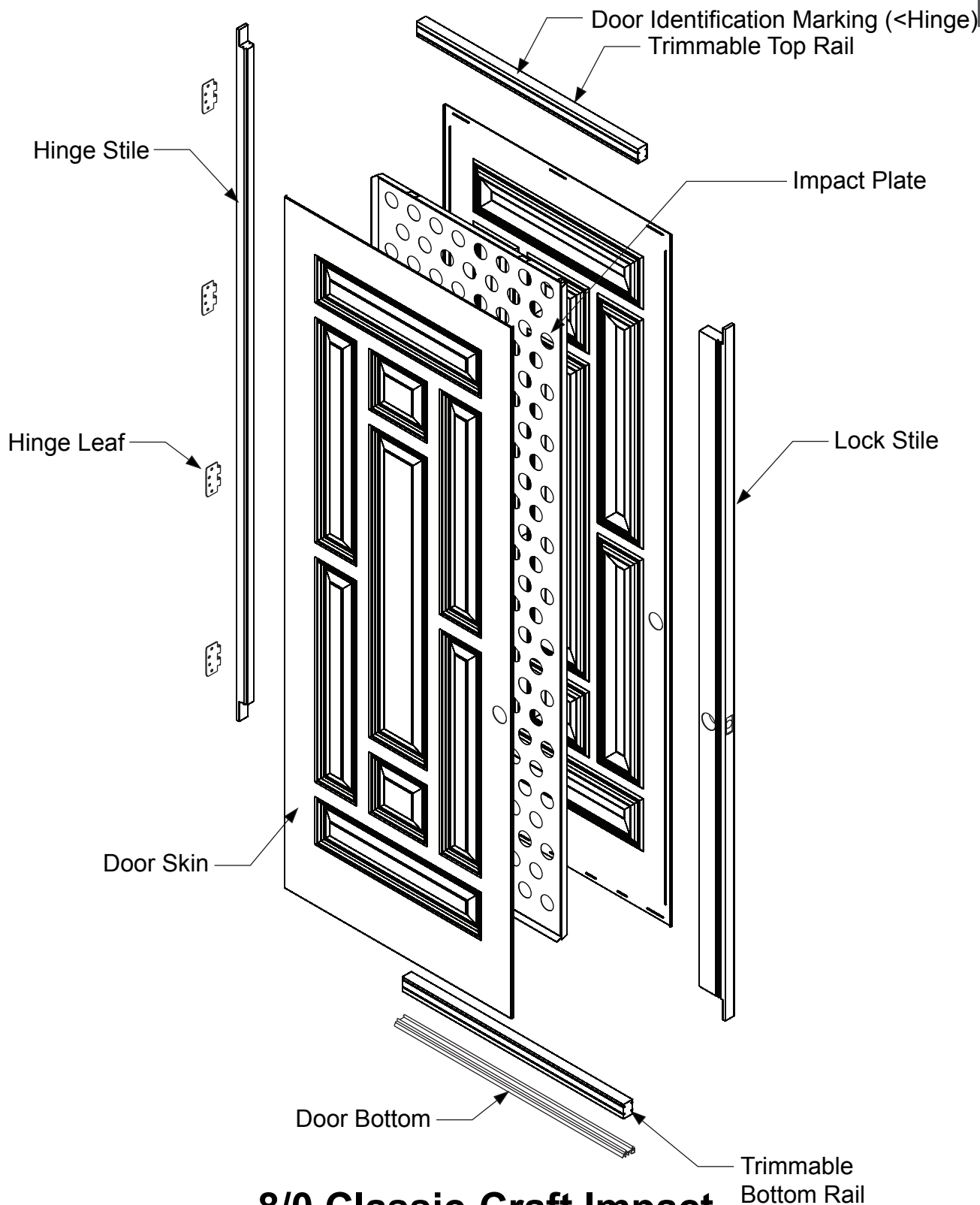
## Classic-Craft



Architectural  
Details



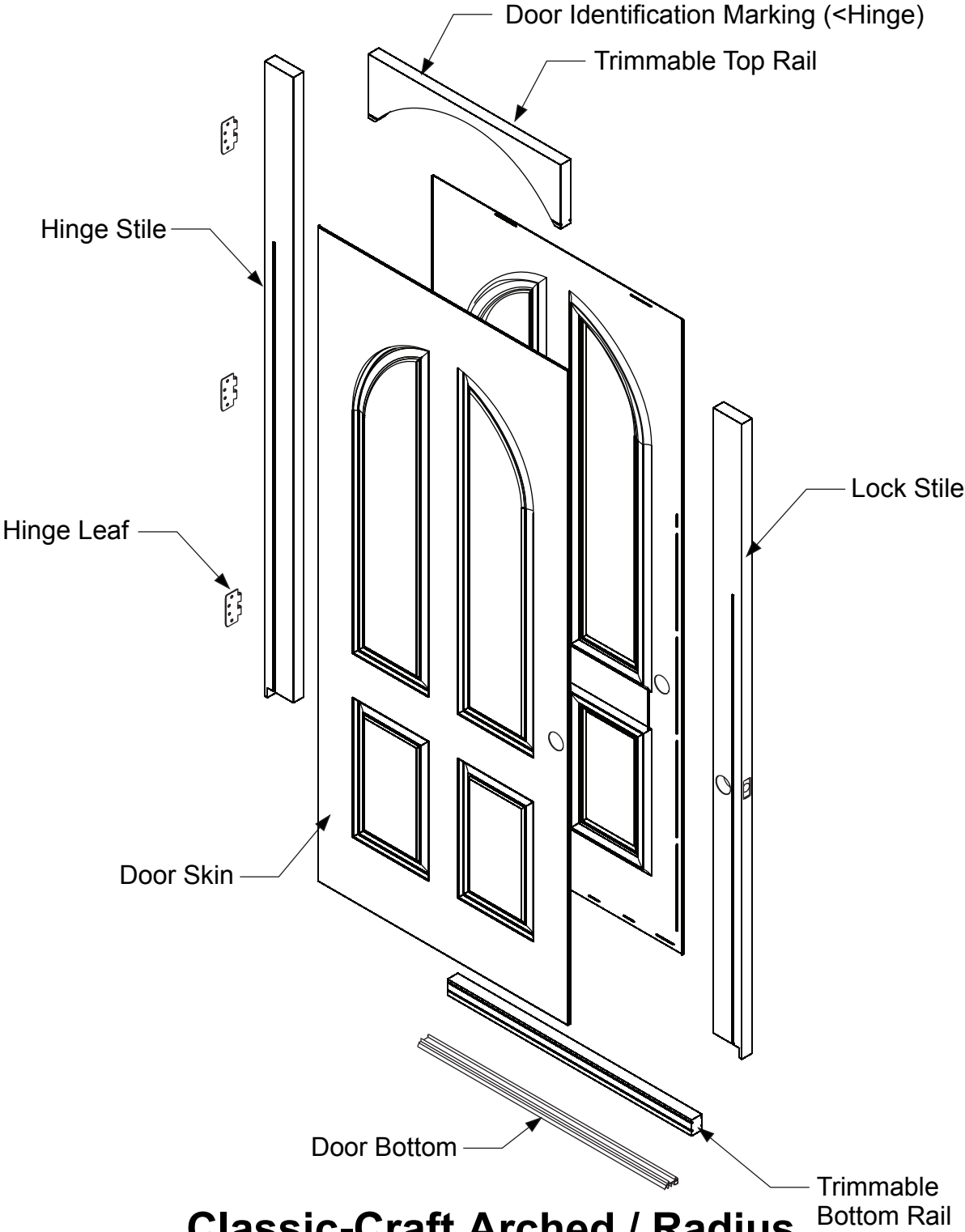
## 8/0 Classic-Craft



## 8/0 Classic-Craft Impact

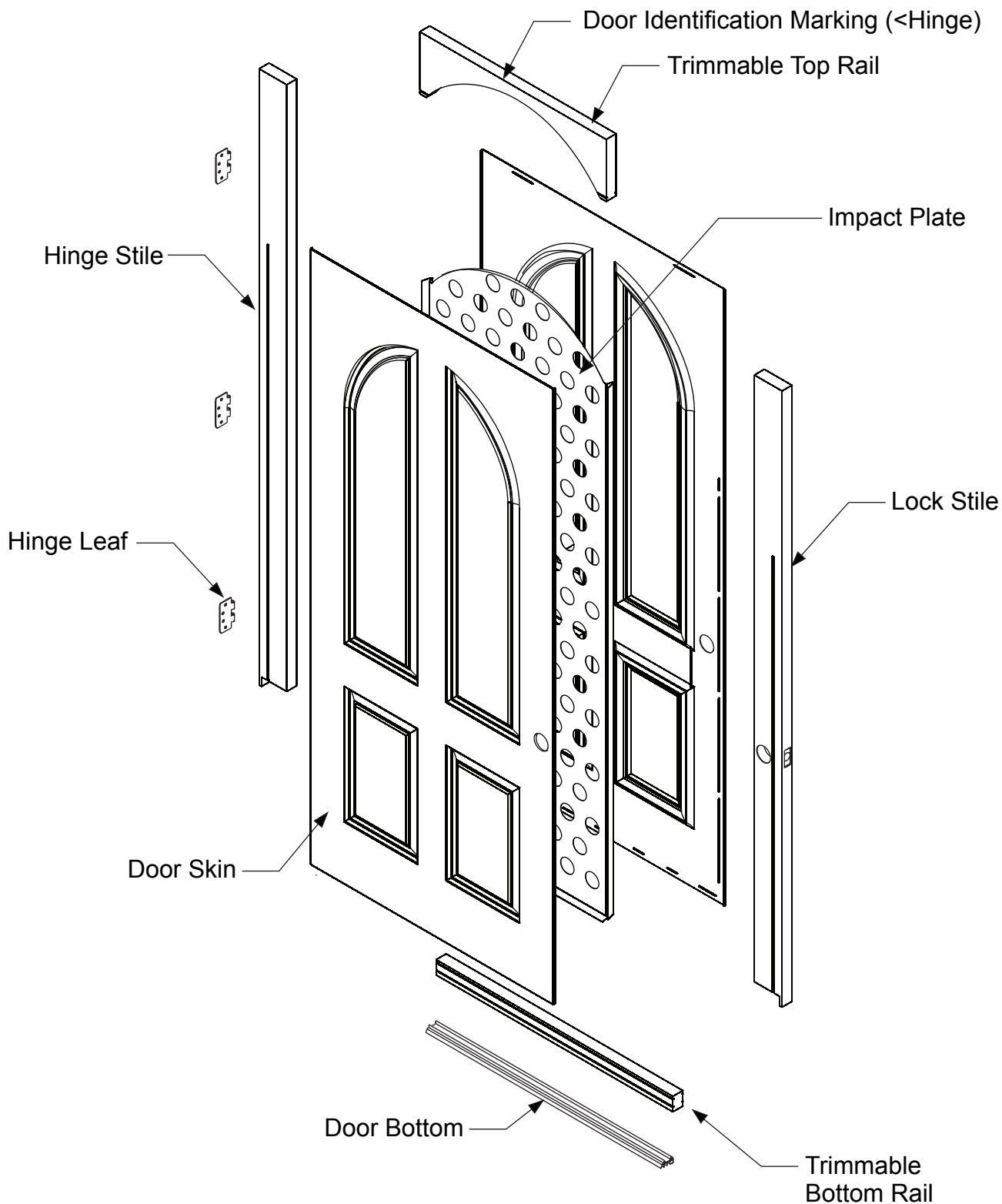
# Exploded View and Part Identification

Architectural  
Details



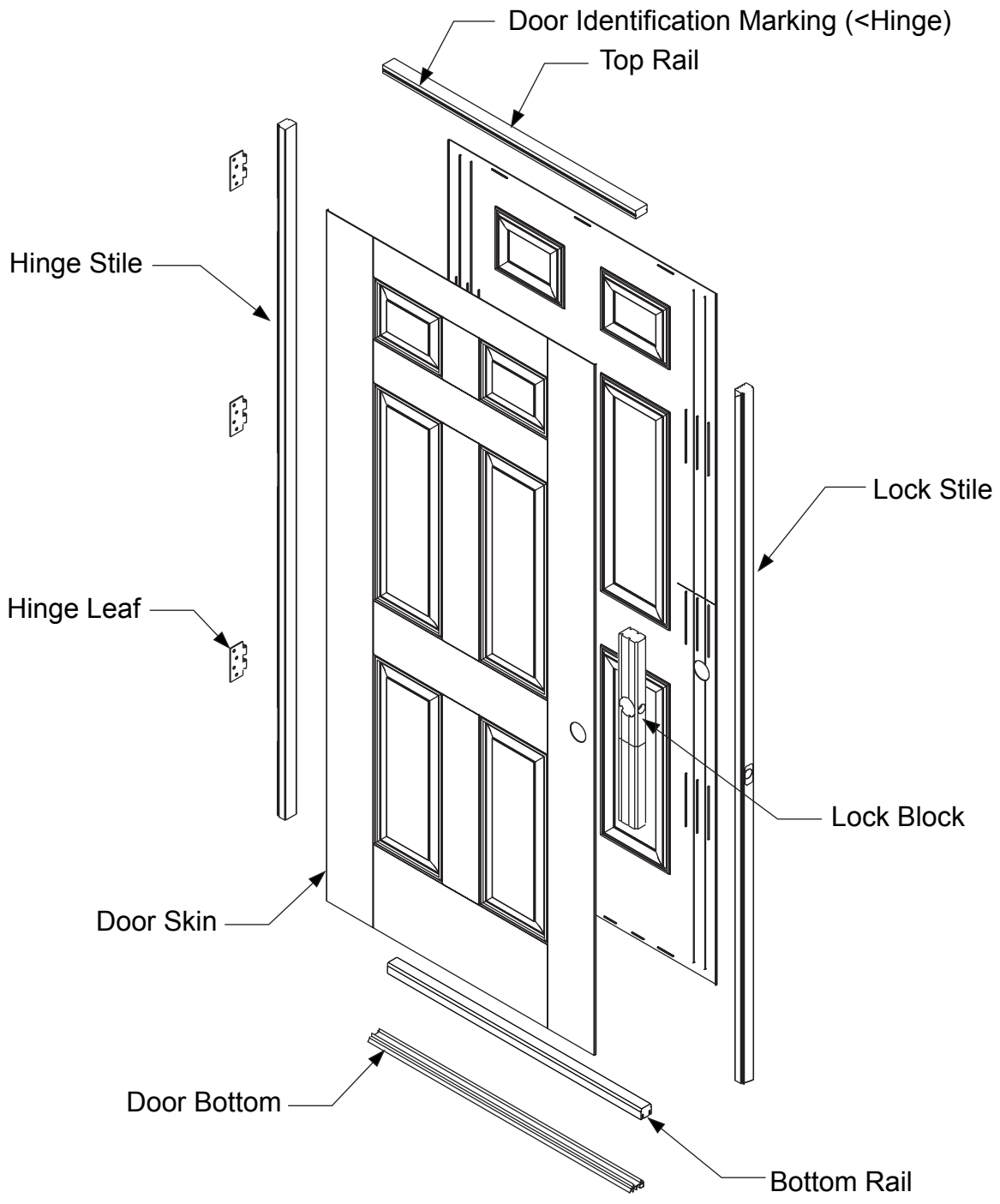
**Classic-Craft Arched / Radius**  
(Radius Top Shown)



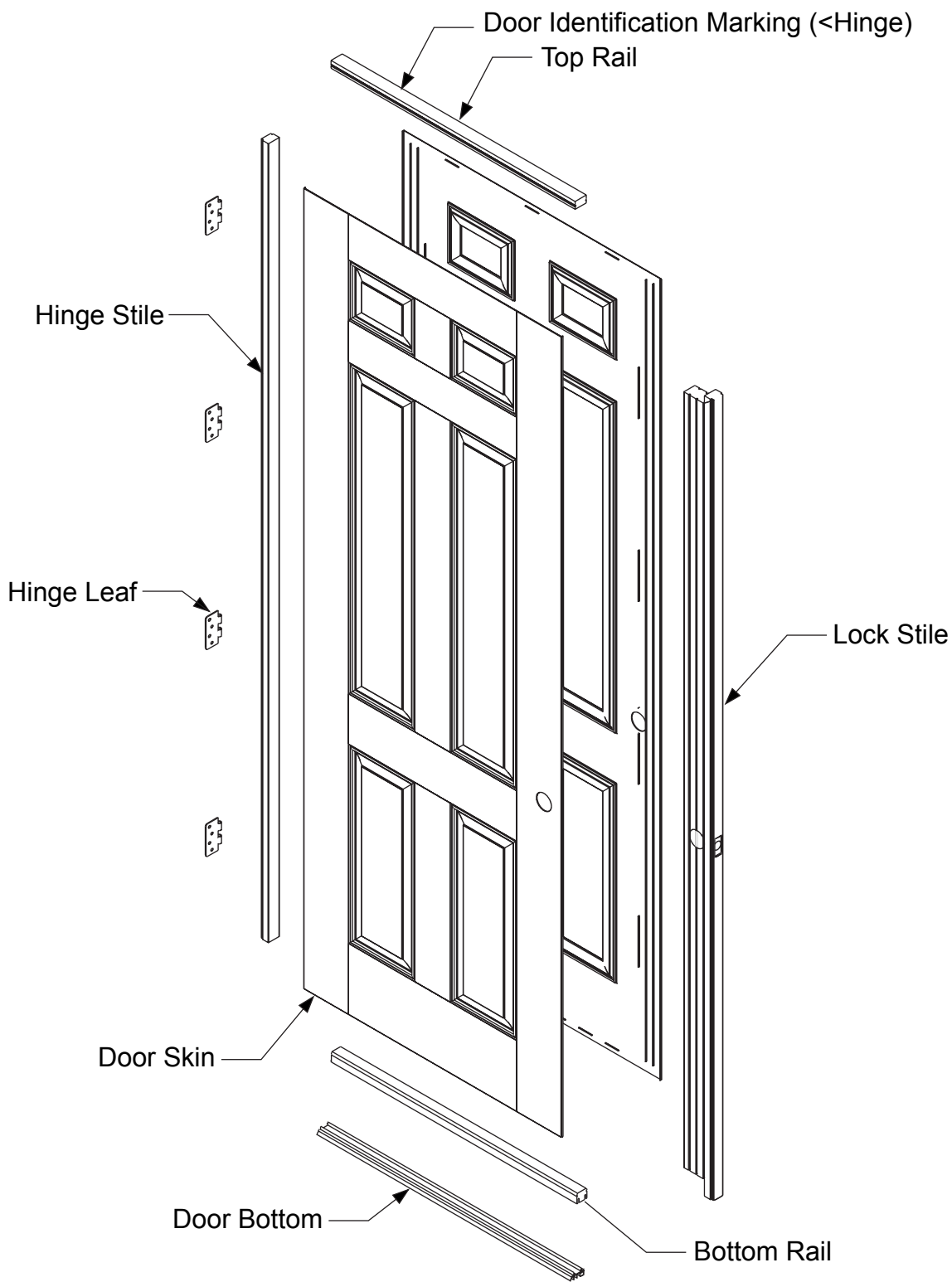


**Classic-Craft Arched / Radius Impact**

Architectural  
Details



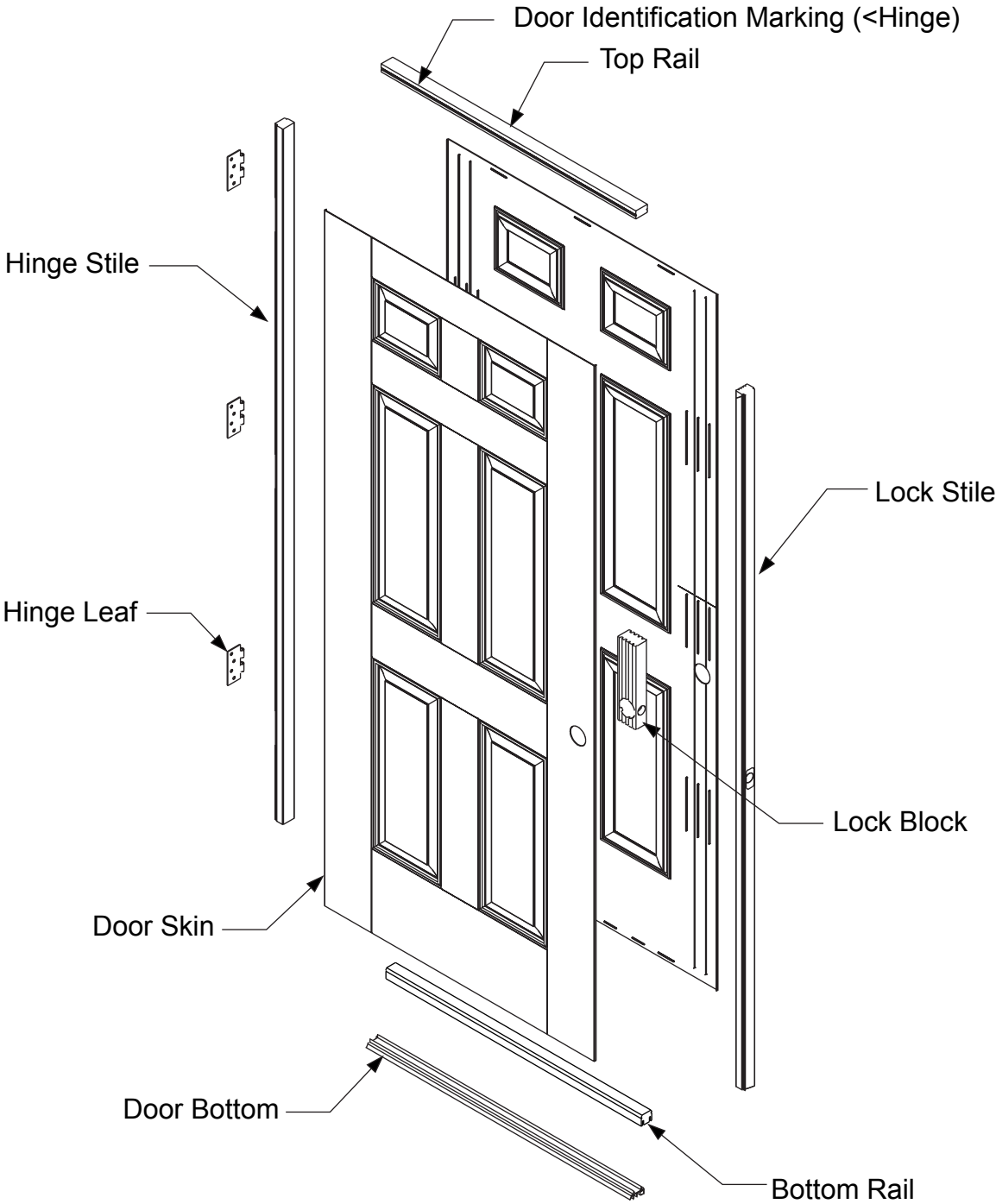
## Fiber-Classic



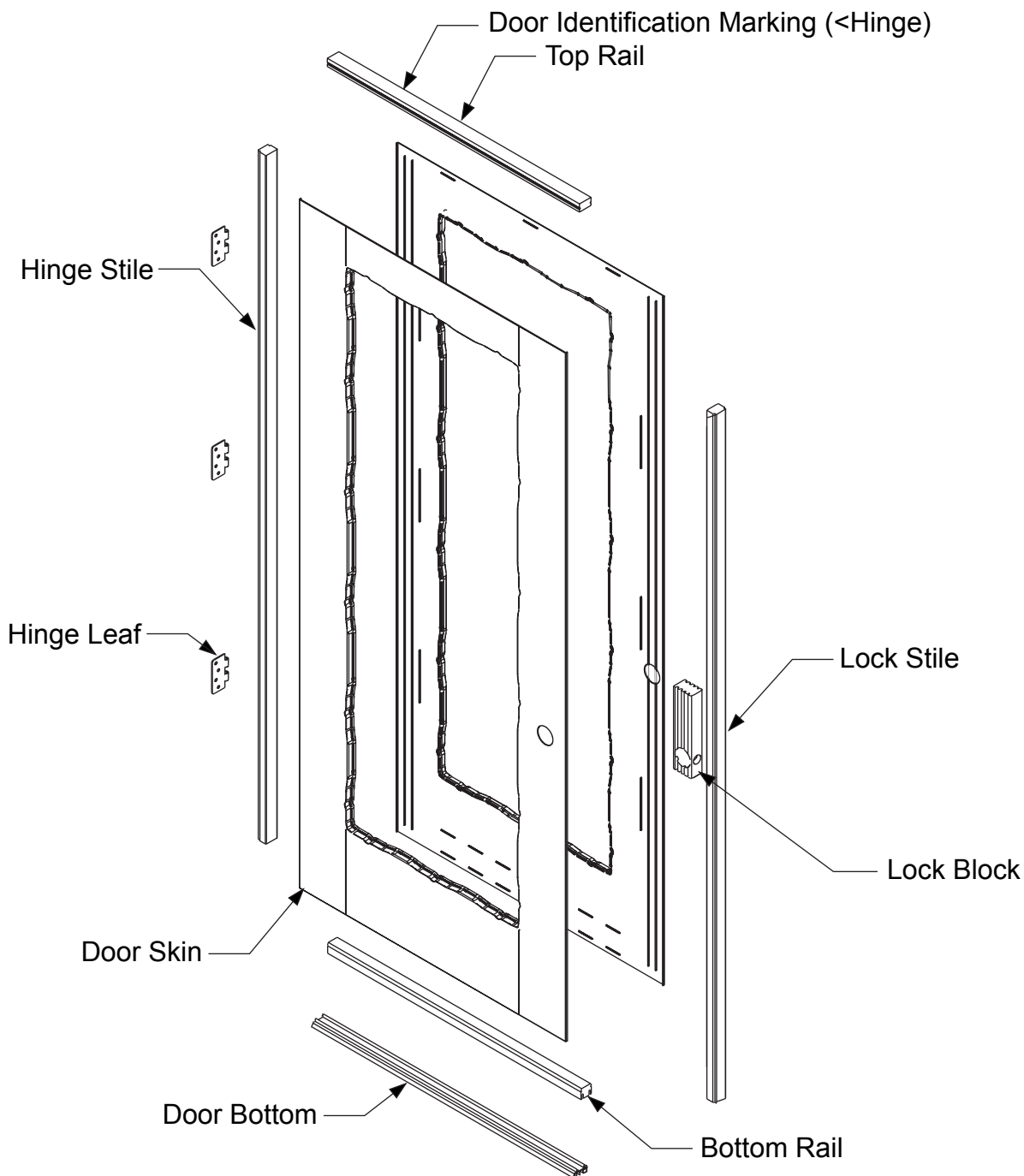
## 8/0 Fiber-Classic

# Exploded View and Part Identification

Architectural  
Details



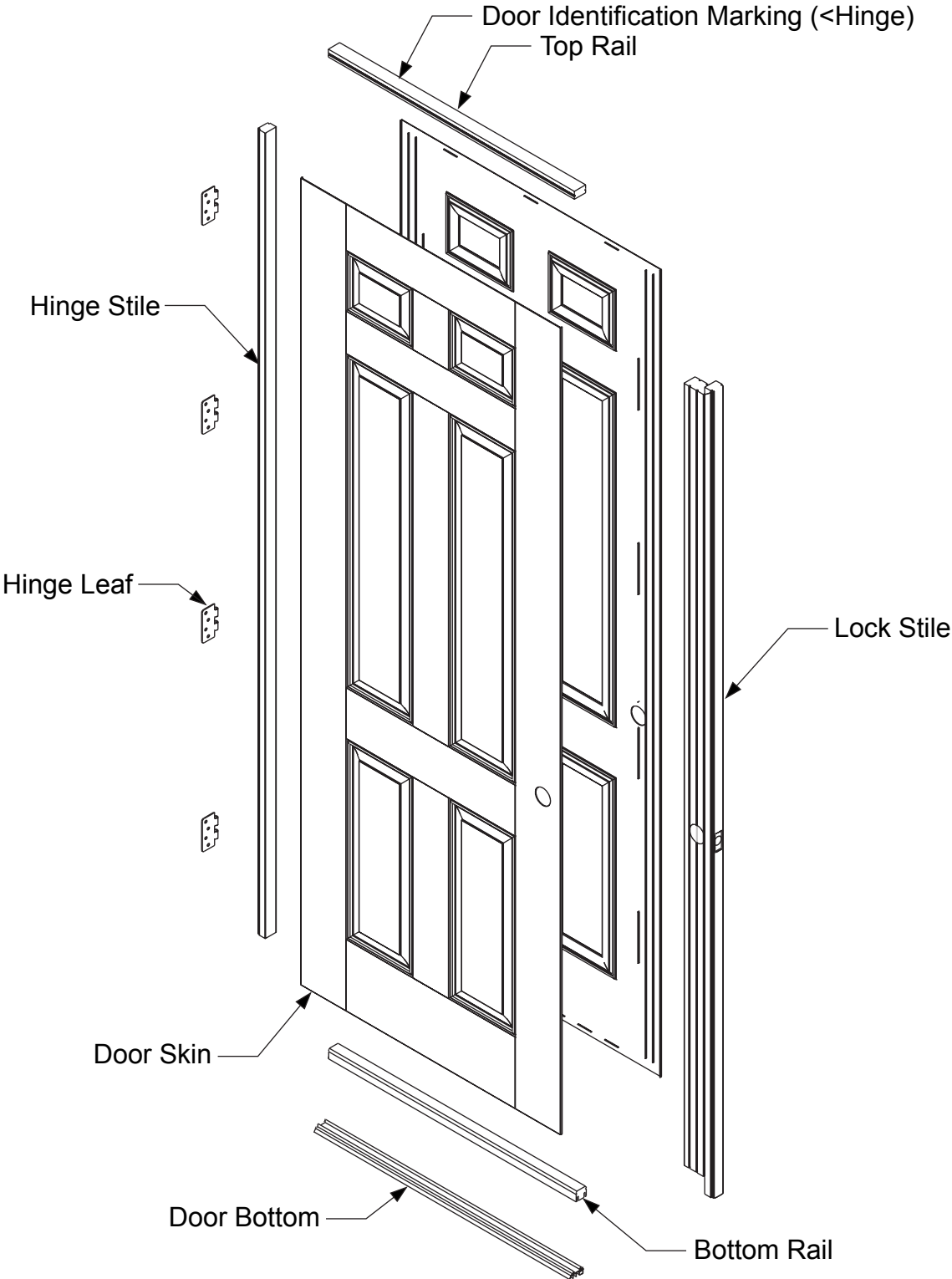
## Smooth-Star



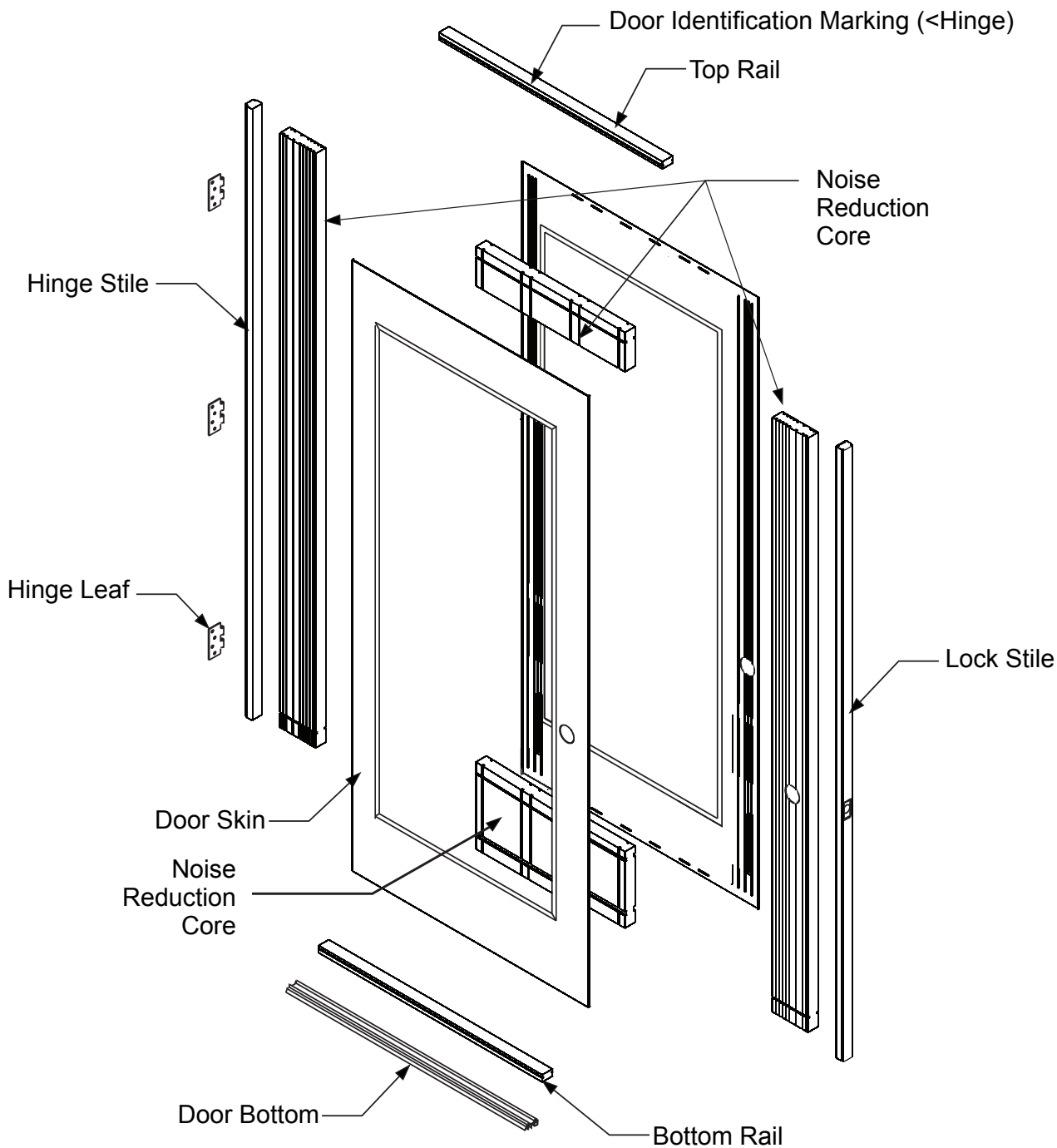
**Smooth-Star**  
(Molded Open - Ready to Receive Doorlite)

# Exploded View and Part Identification

Architectural  
Details

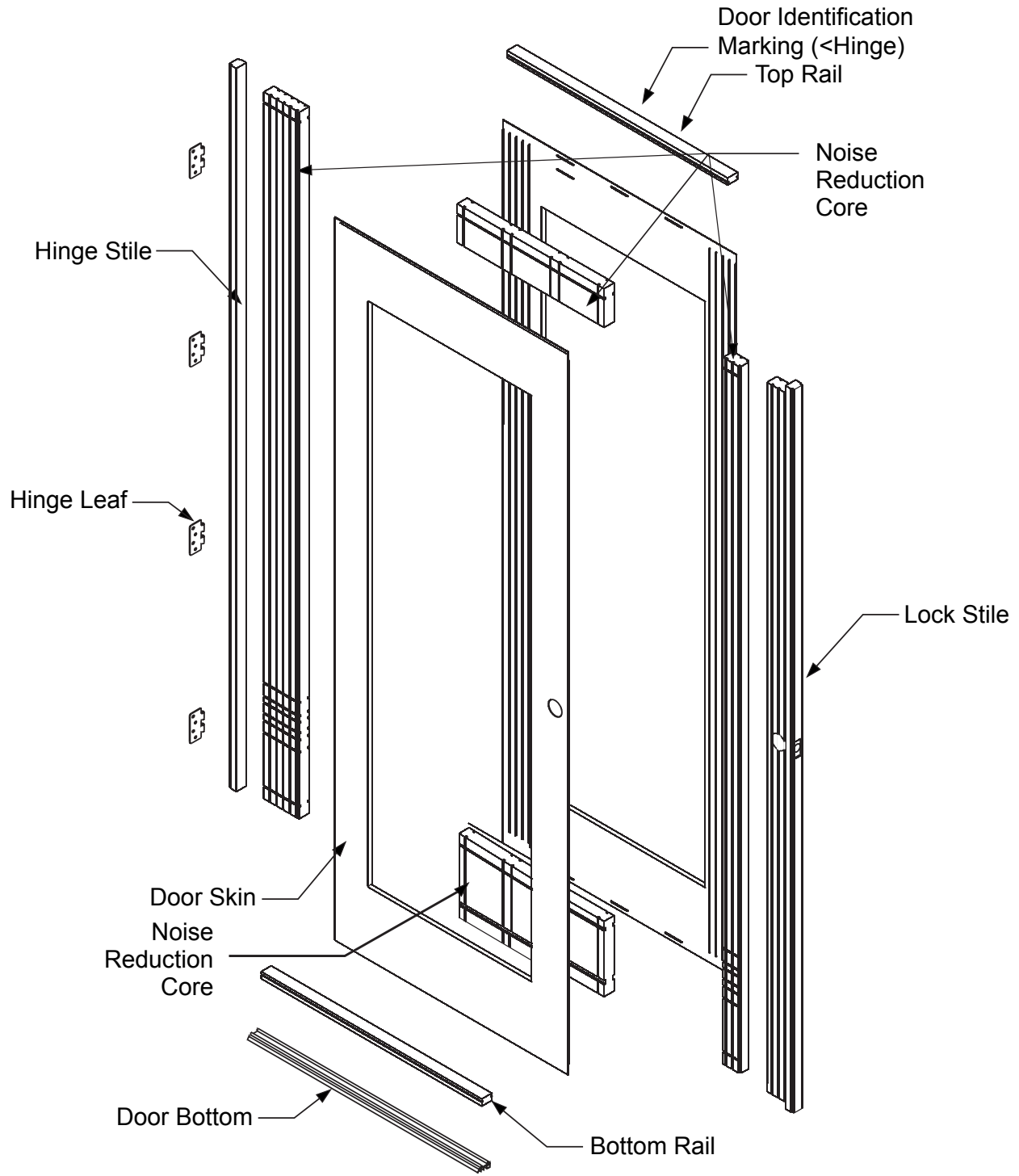


## 8/0 Smooth-Star



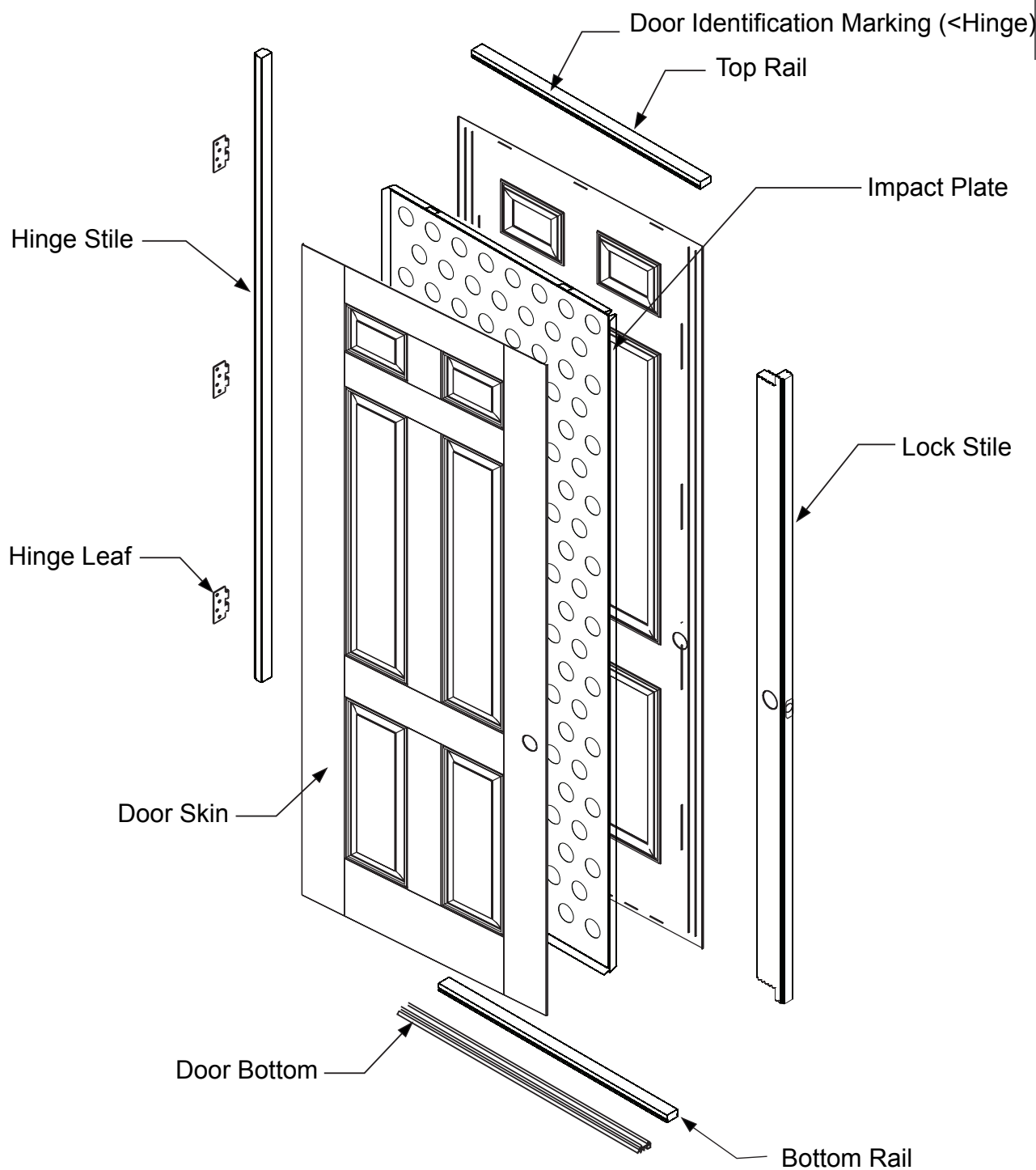
**Smooth-Star Noise Reduction**  
(Factory Cutout Only)

Architectural  
Details



## 8/0 Smooth-Star Noise Reduction (Factory Cutout Only)

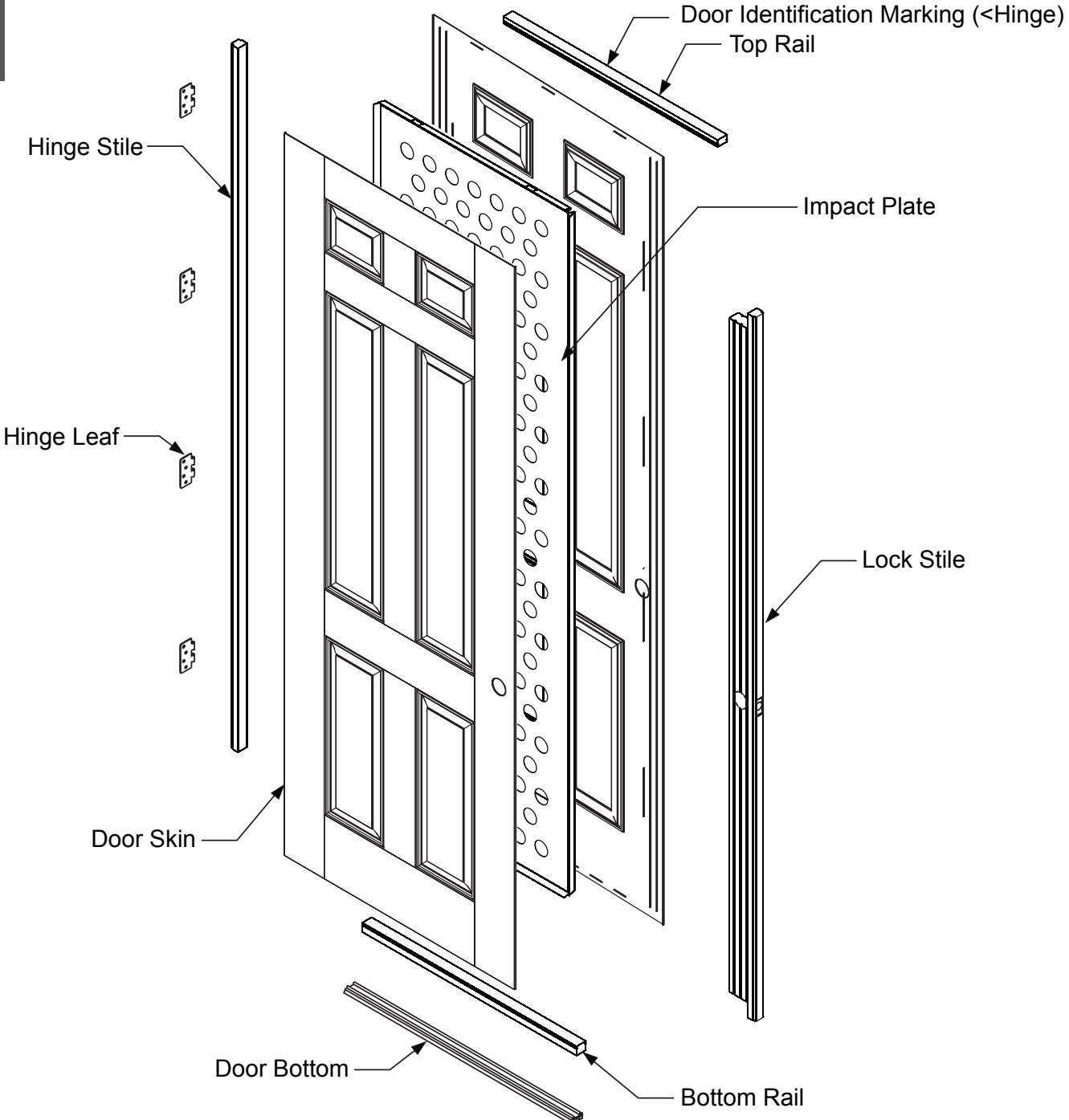




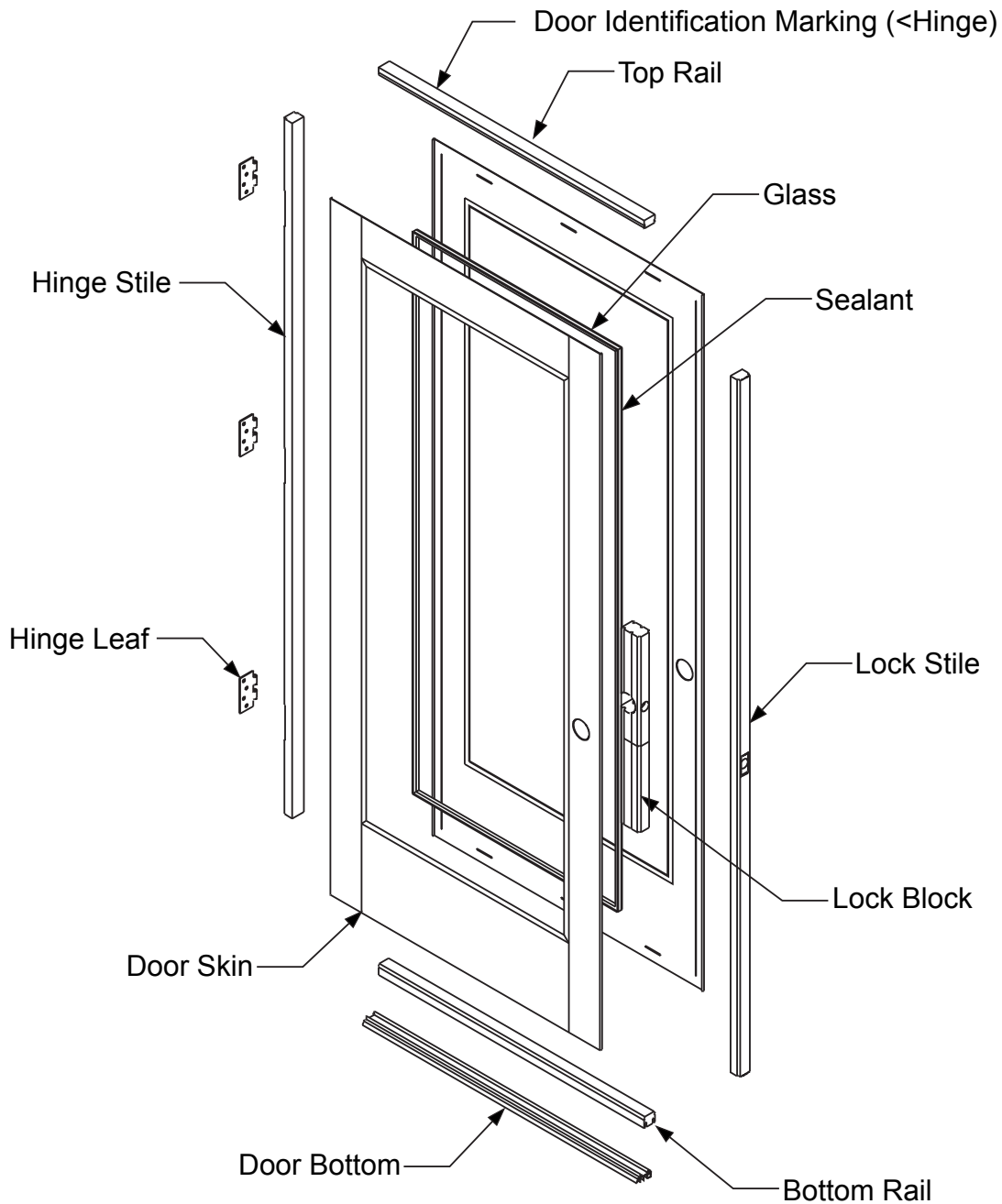
## Fiber-Classic/Smooth-Star Impact

# Exploded View and Part Identification

Architectural  
Details

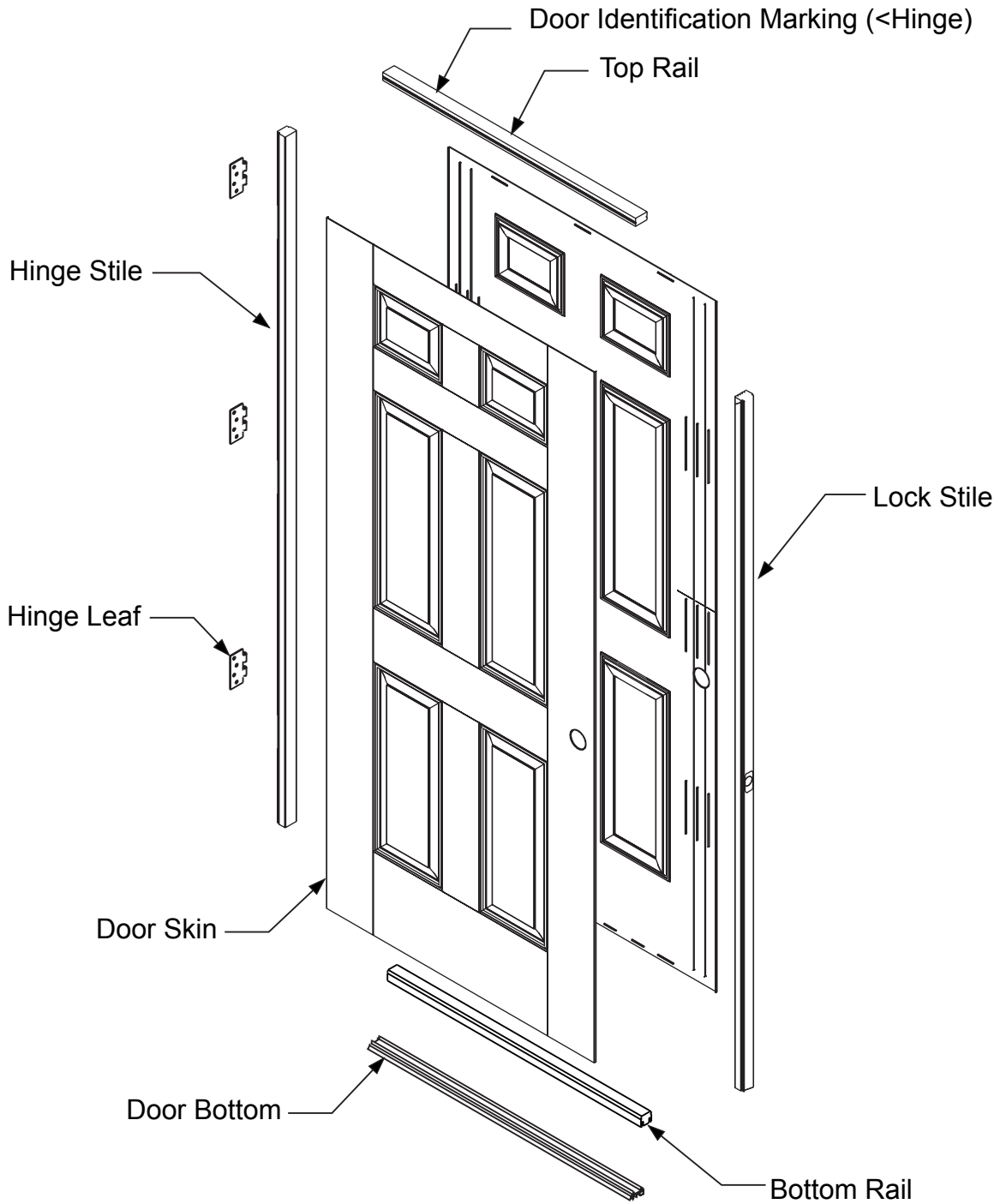


## 8/0 Fiber-Classic/Smooth-Star Impact

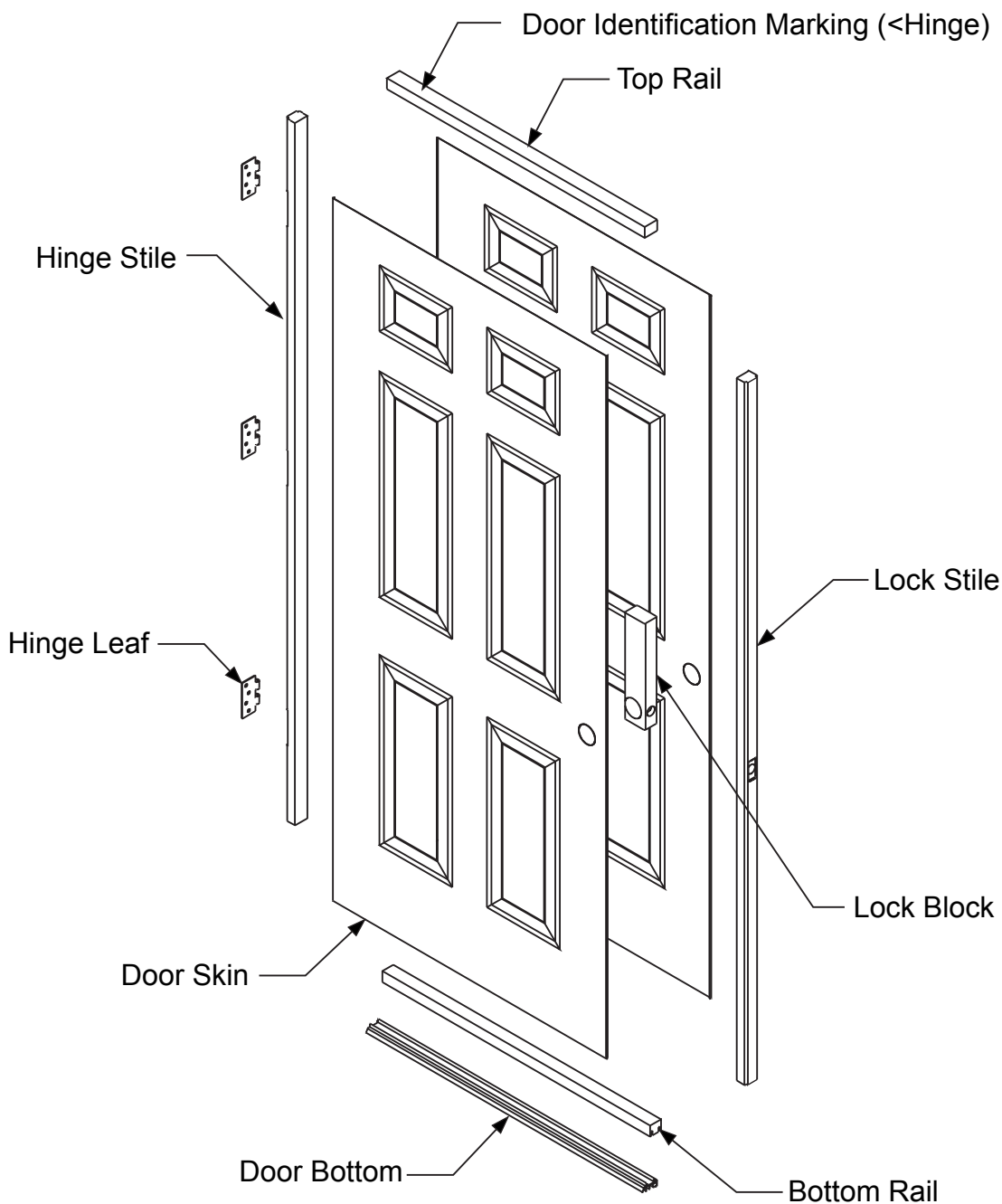


**Flush-Glazed  
Fiber-Classic/Smooth-Star**

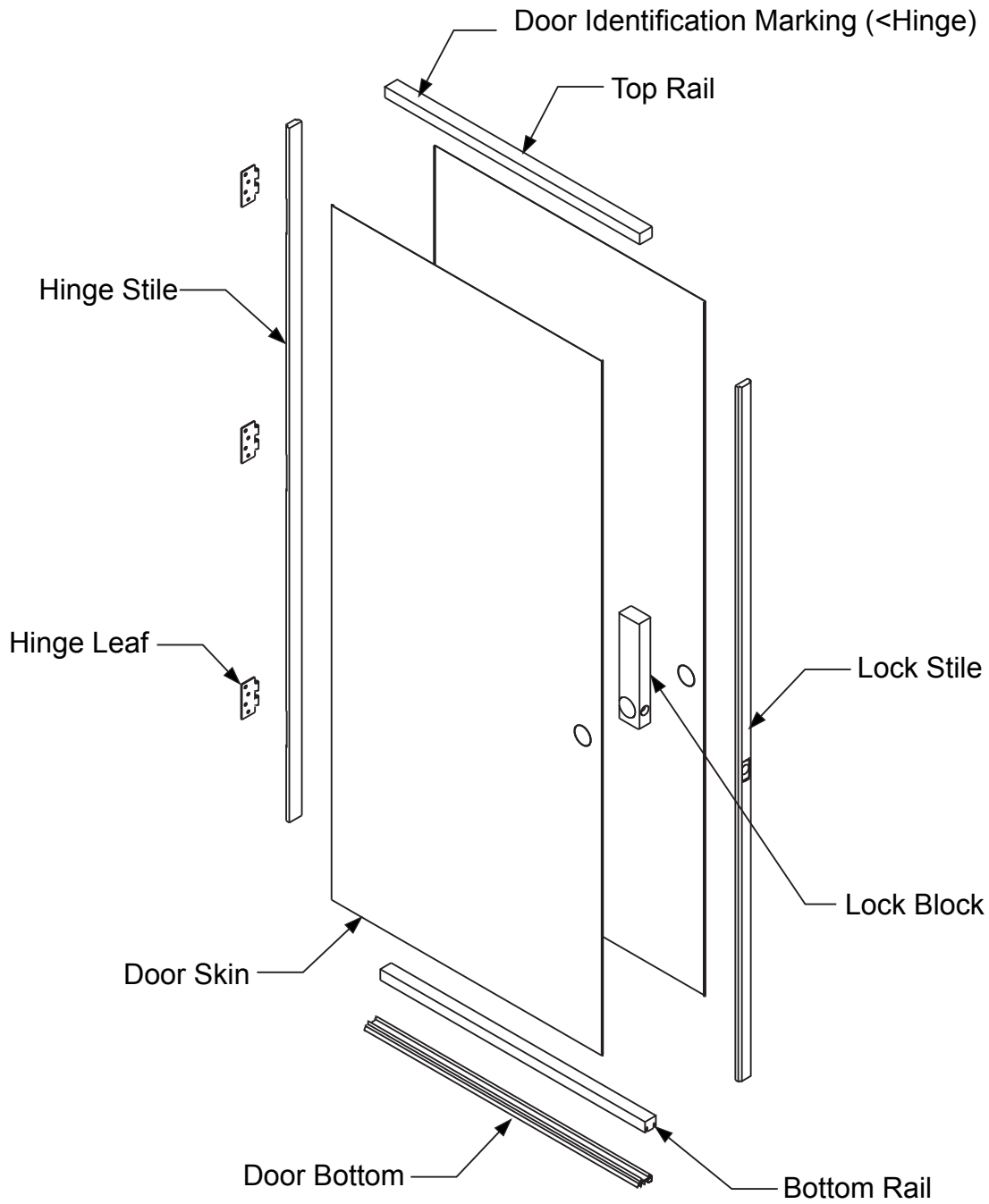
Architectural  
Details



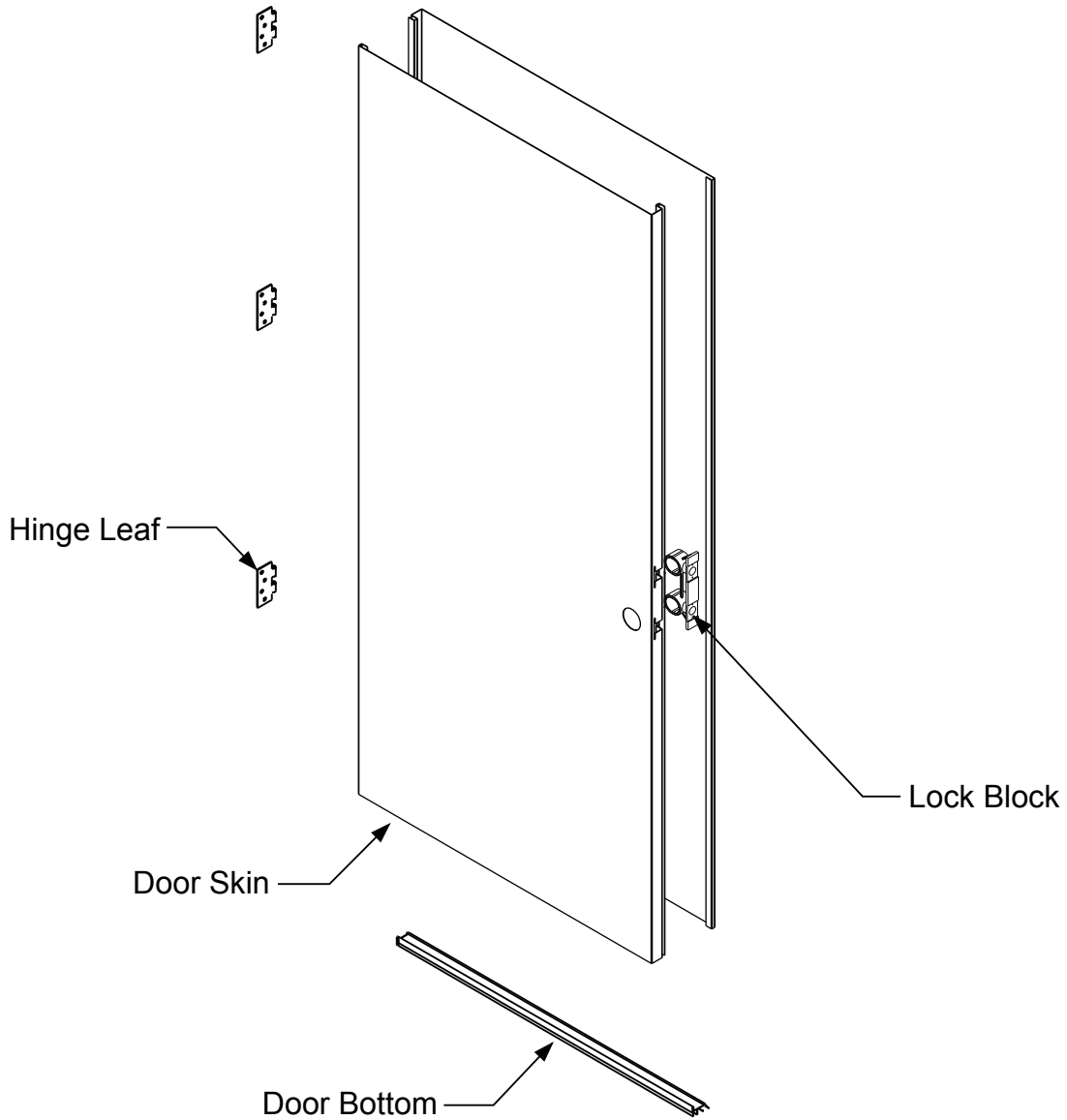
## 20-Minute Positive Pressure Fiber-Classic & Smooth-Star Fire Door



## Profiles Steel

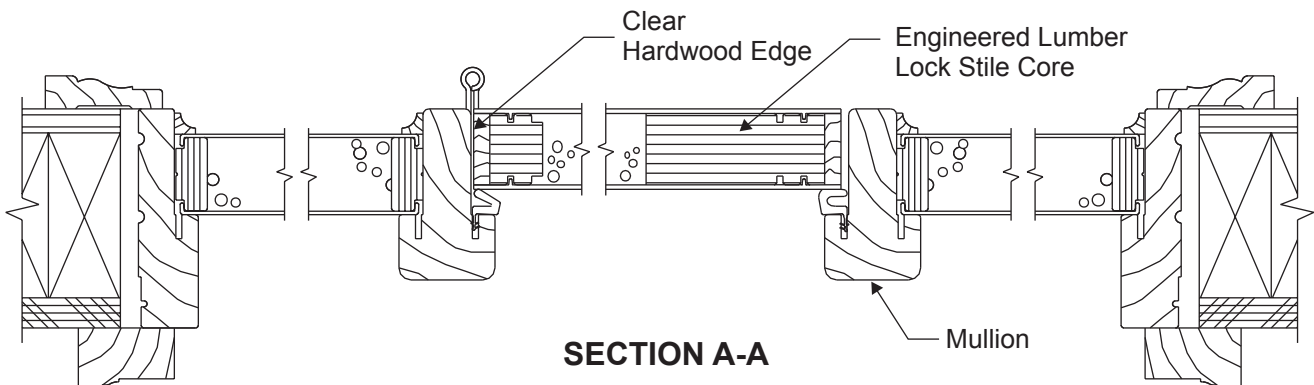
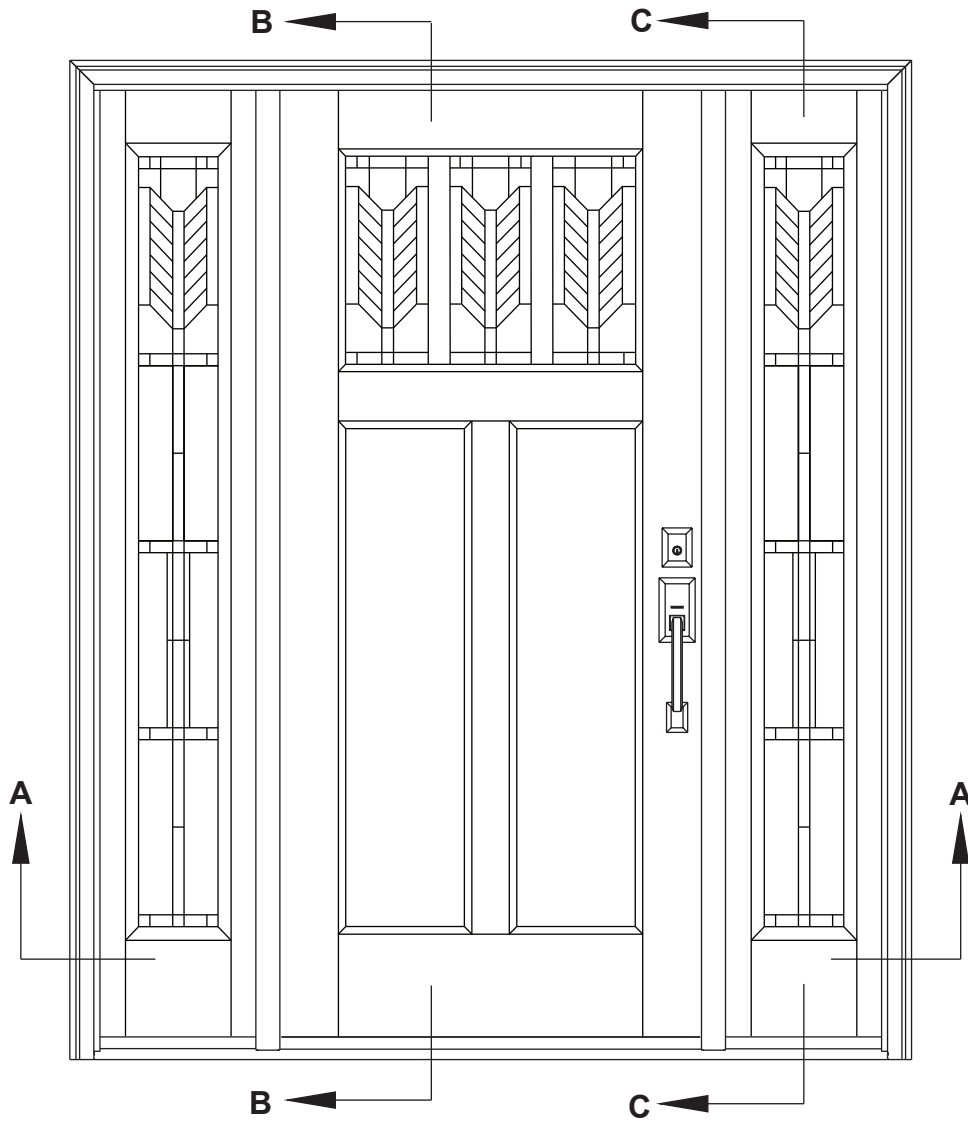


## Traditions Steel

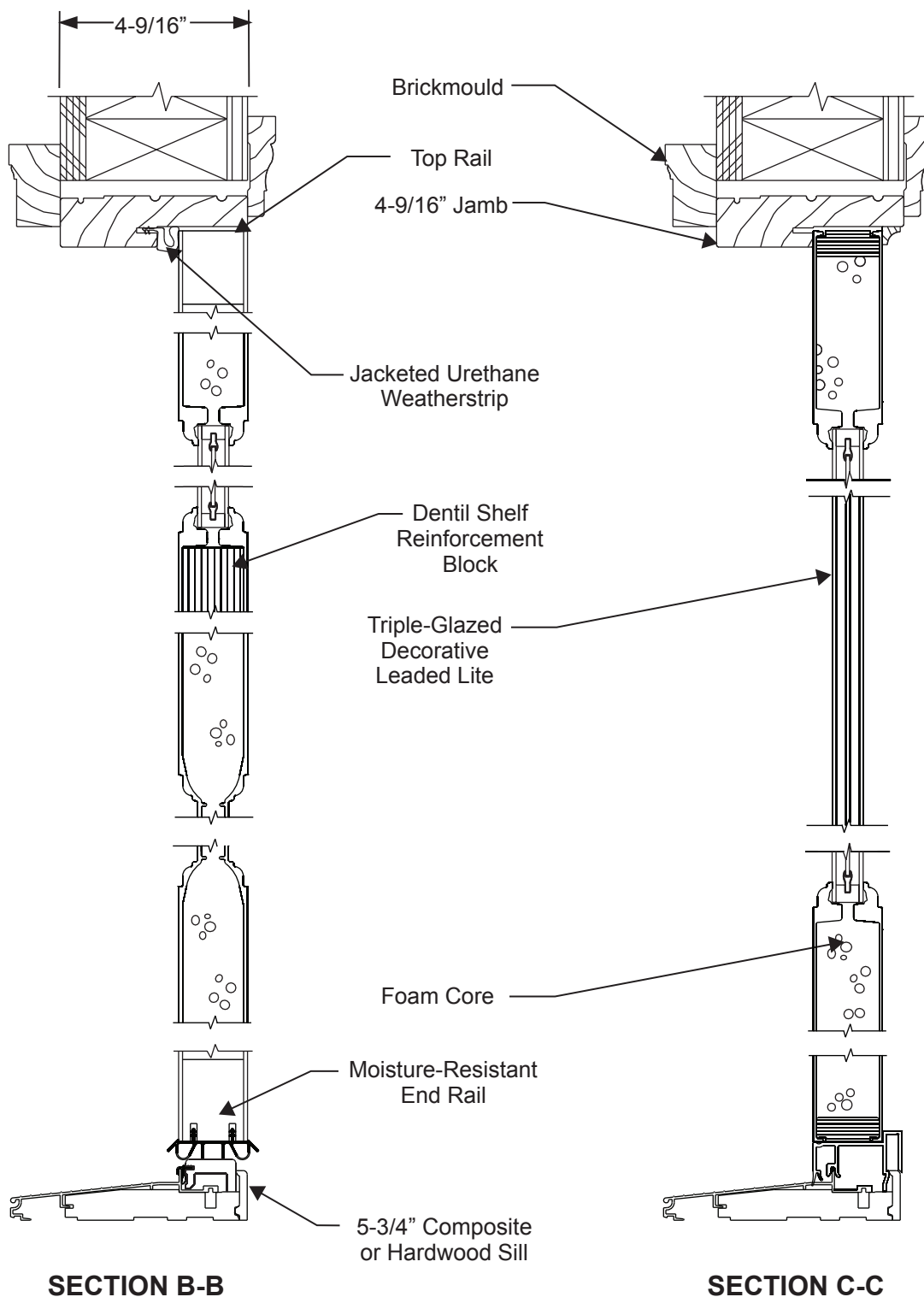


**90-Minute Positive Pressure  
Steel Edge Fire Door**

Door/Sidelites with Continuous Head/Sill Frame

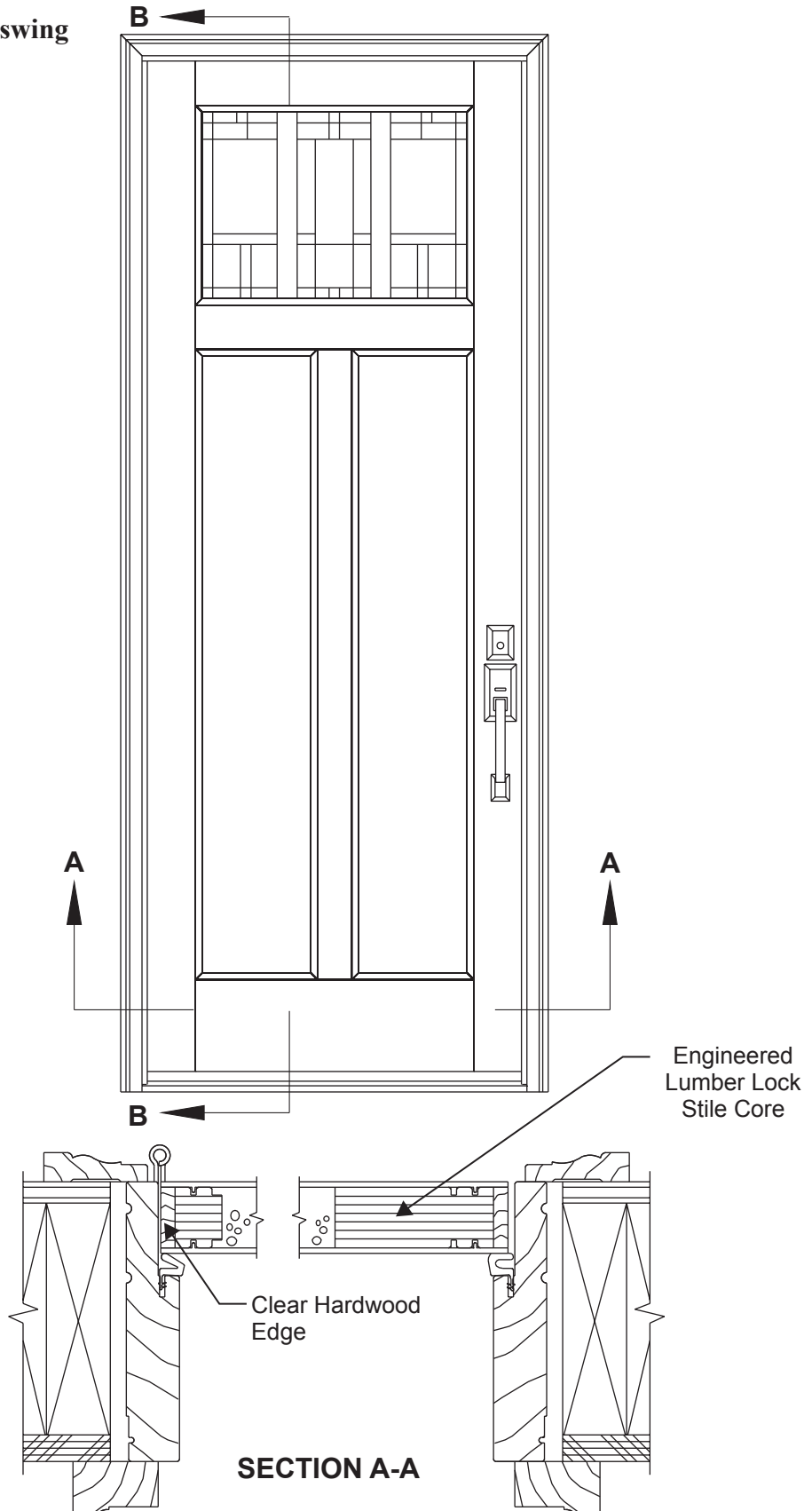


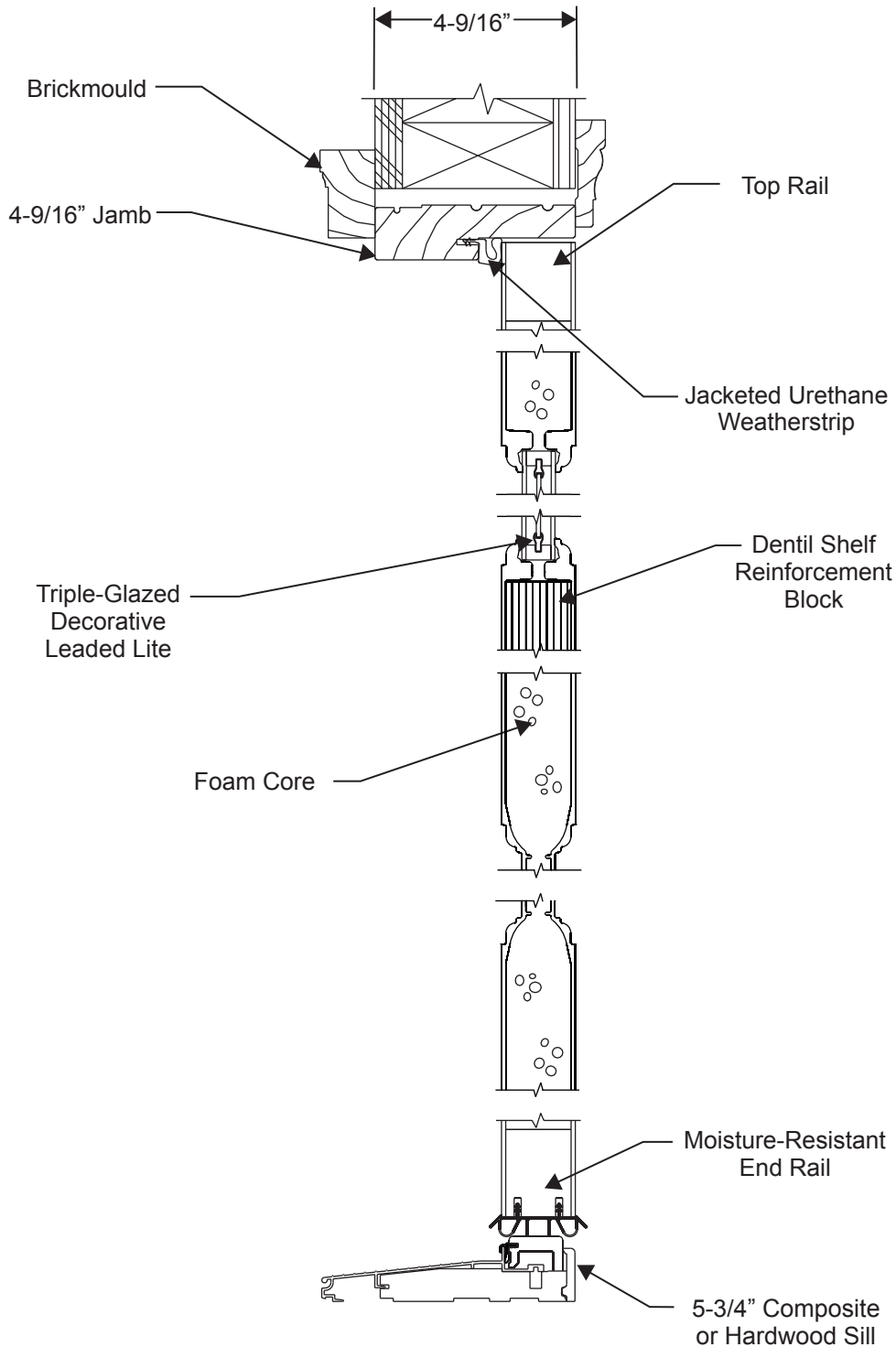




Architectural  
Details

### Single Door, Inswing



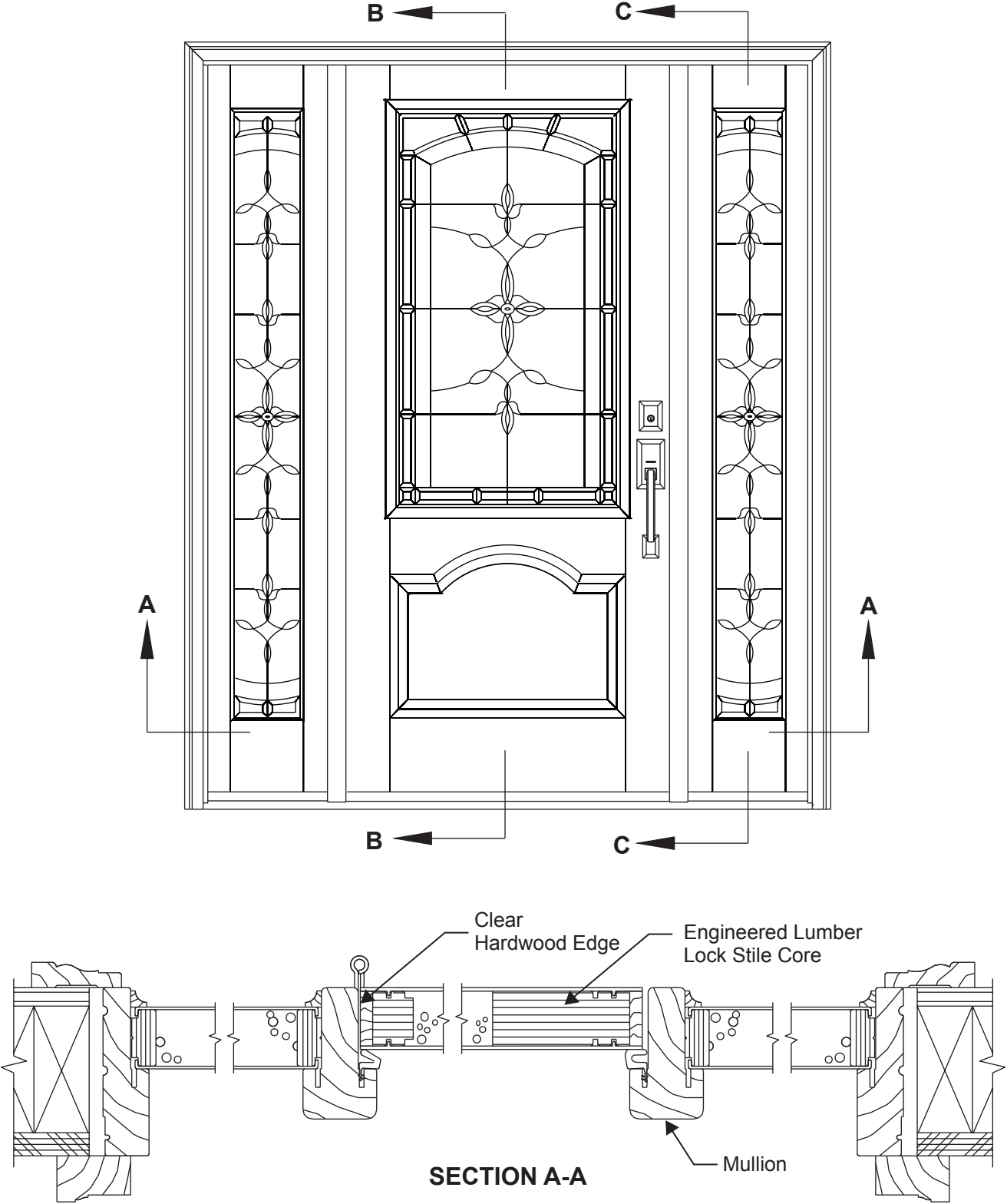


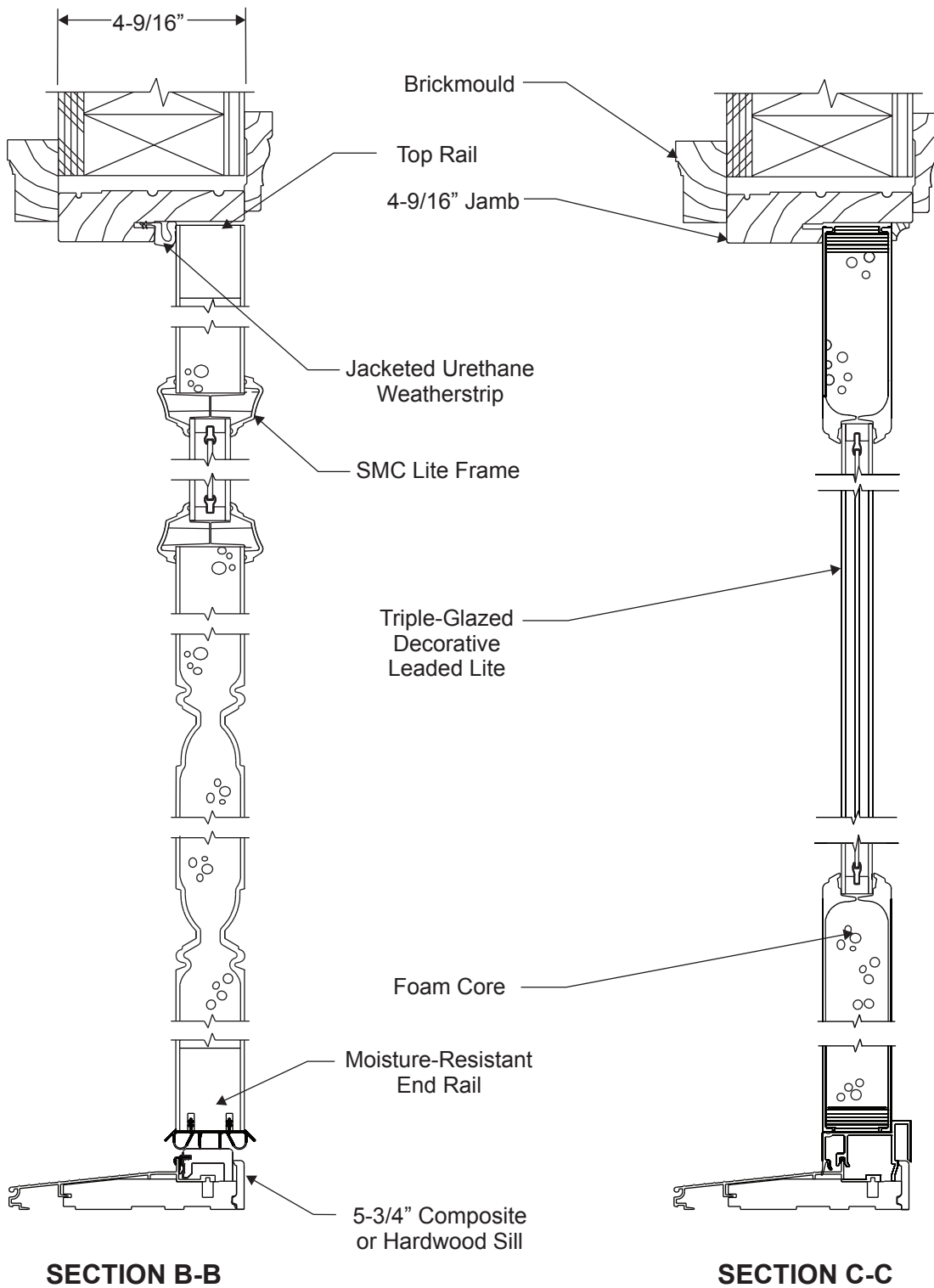
**SECTION B-B**

# Classic-Craft Canvas Style

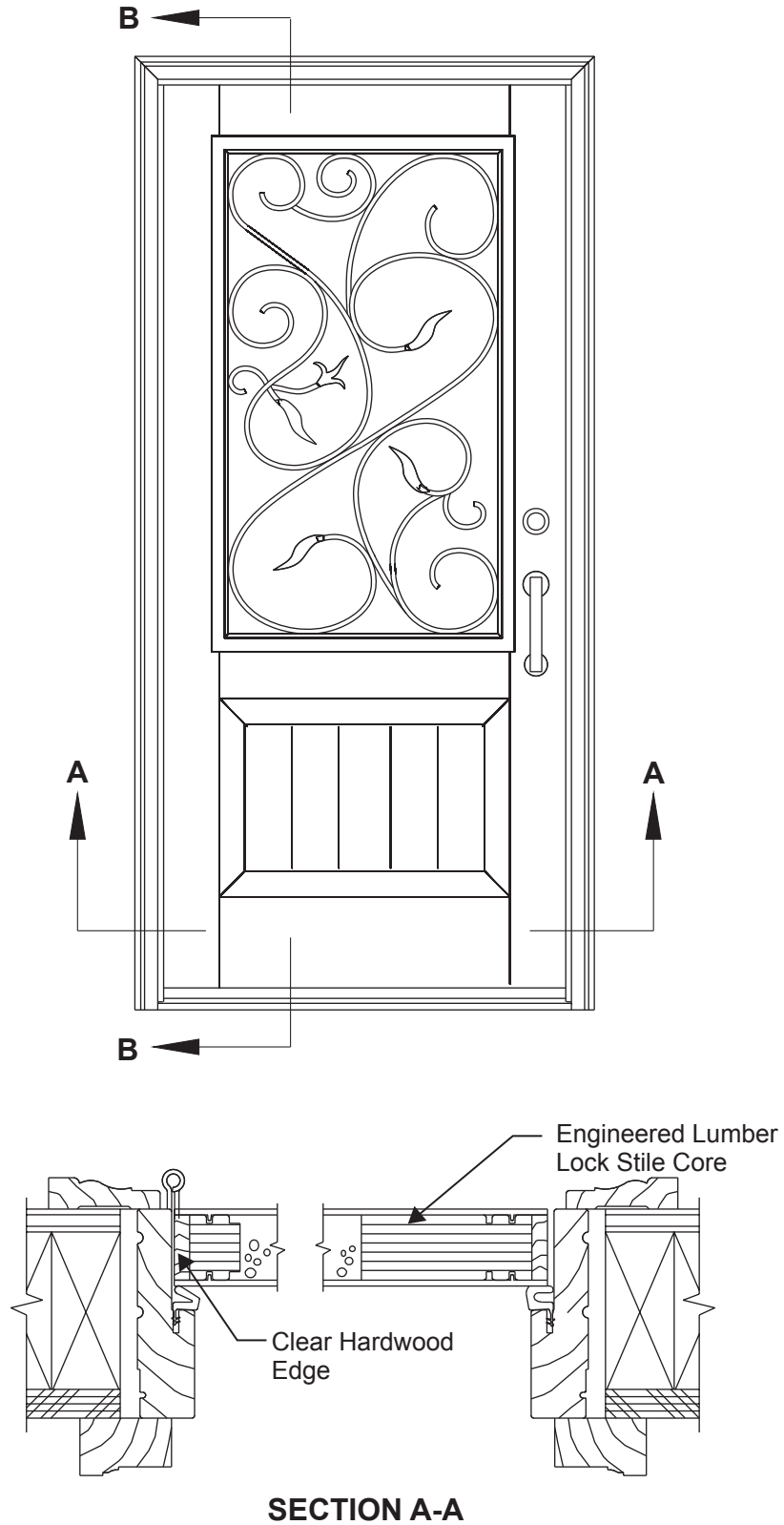
Architectural  
Details

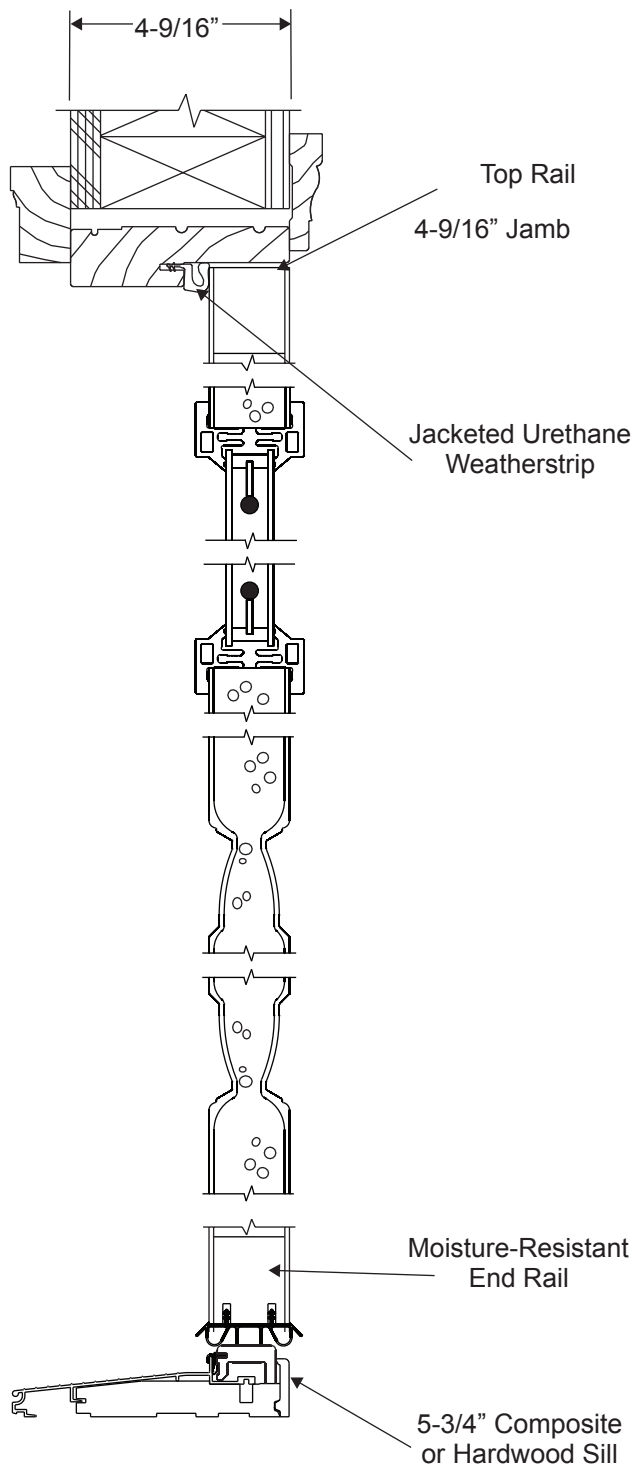
## Door/Sidelites with Continuous Head/Sill Frame





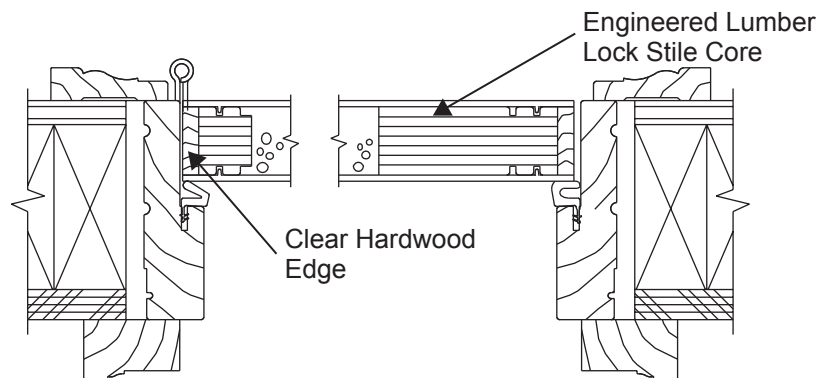
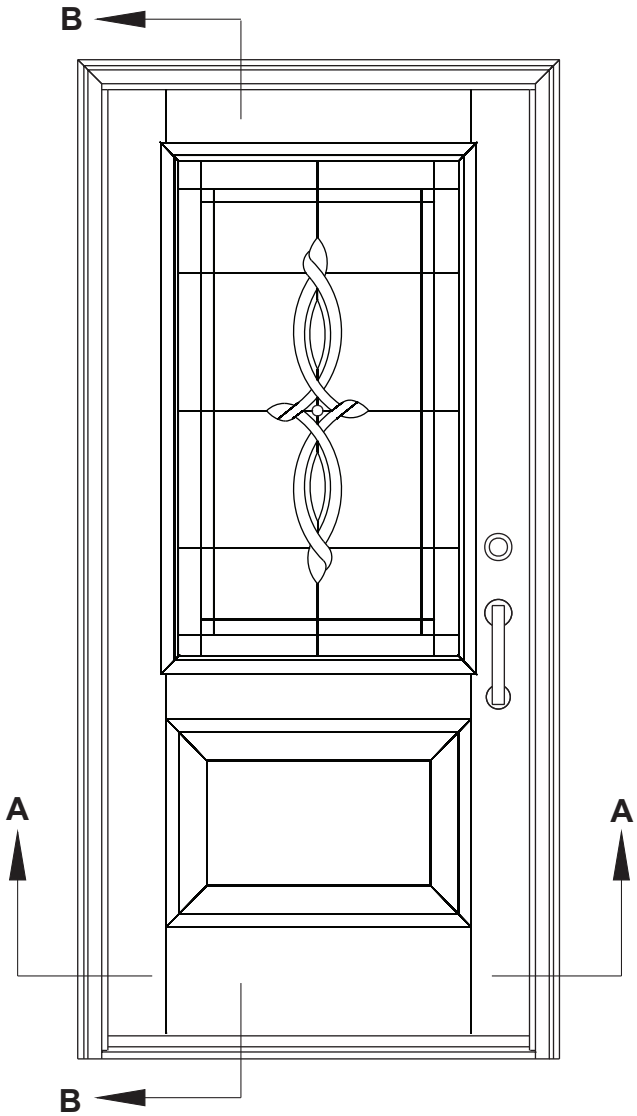
## Single Door Inswing





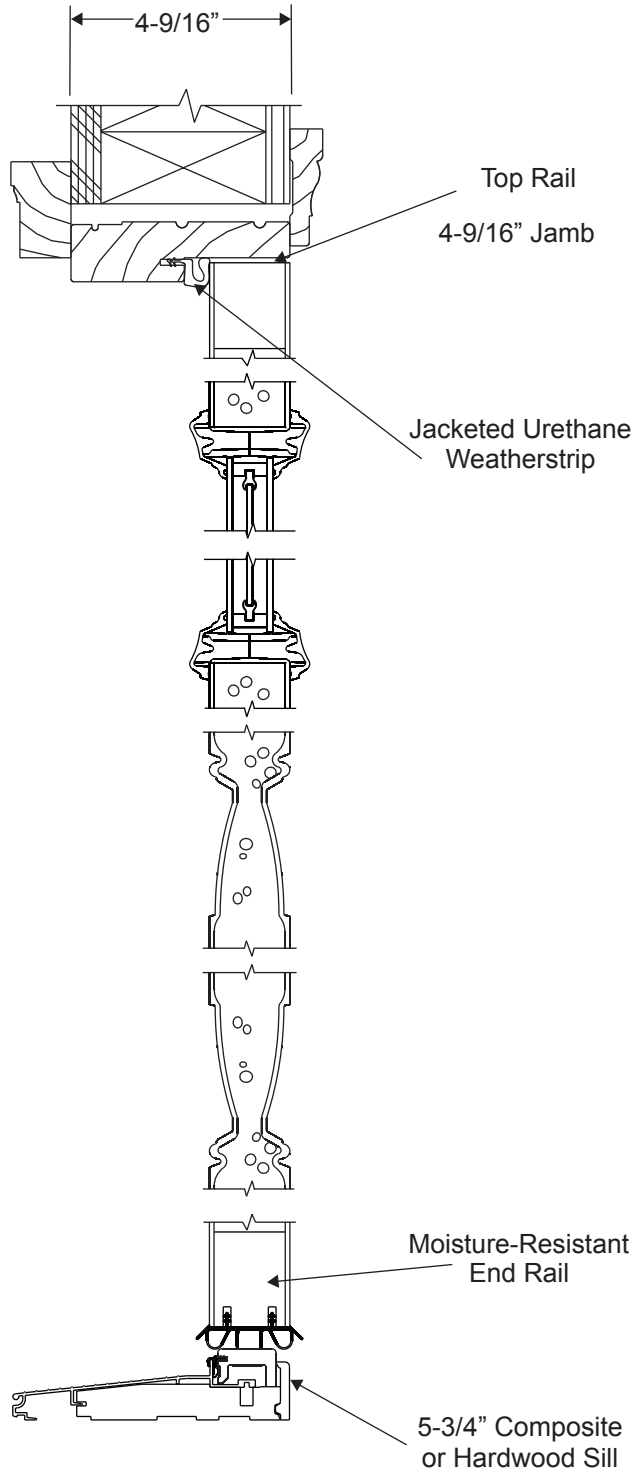
**SECTION B-B**

## Single Door Inswing



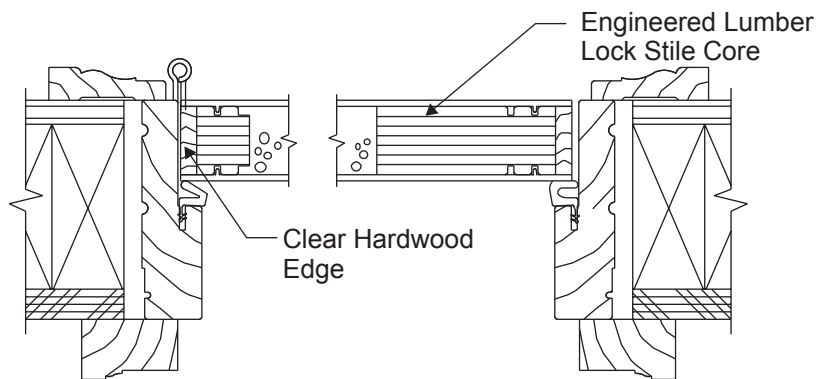
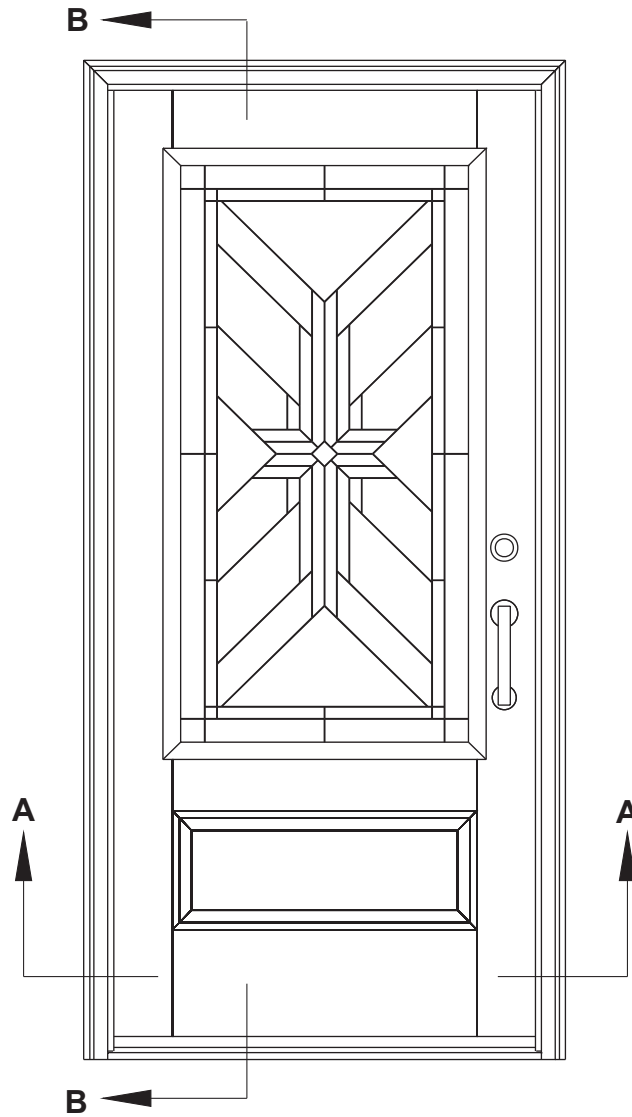
**SECTION A-A**



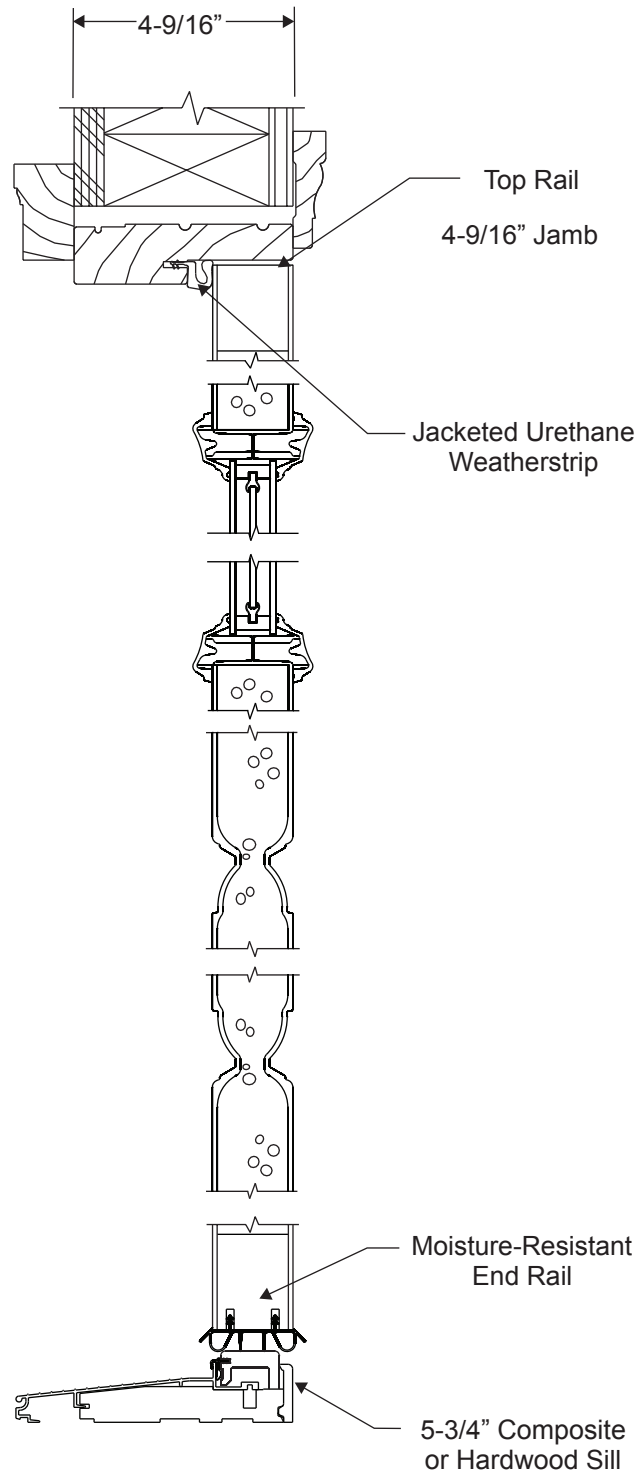


**SECTION B-B**

## Single Door Inswing



SECTION A-A

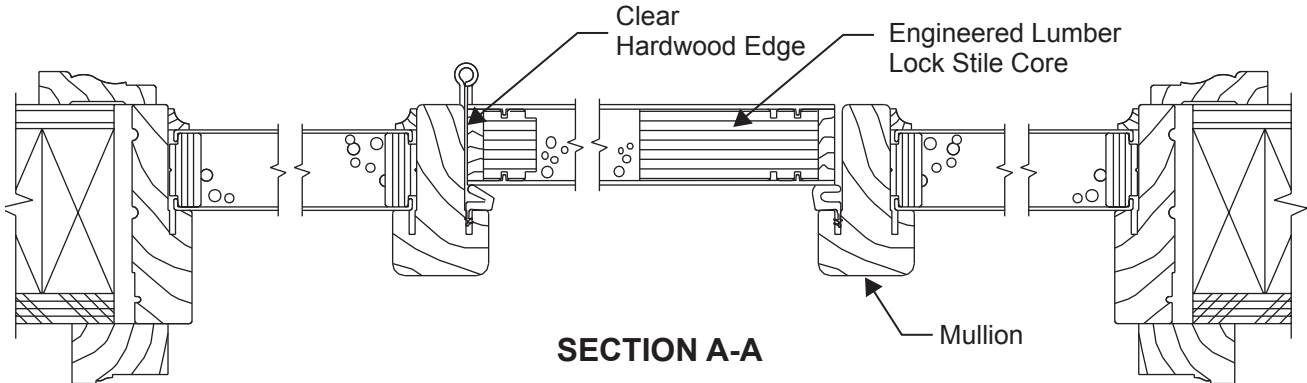
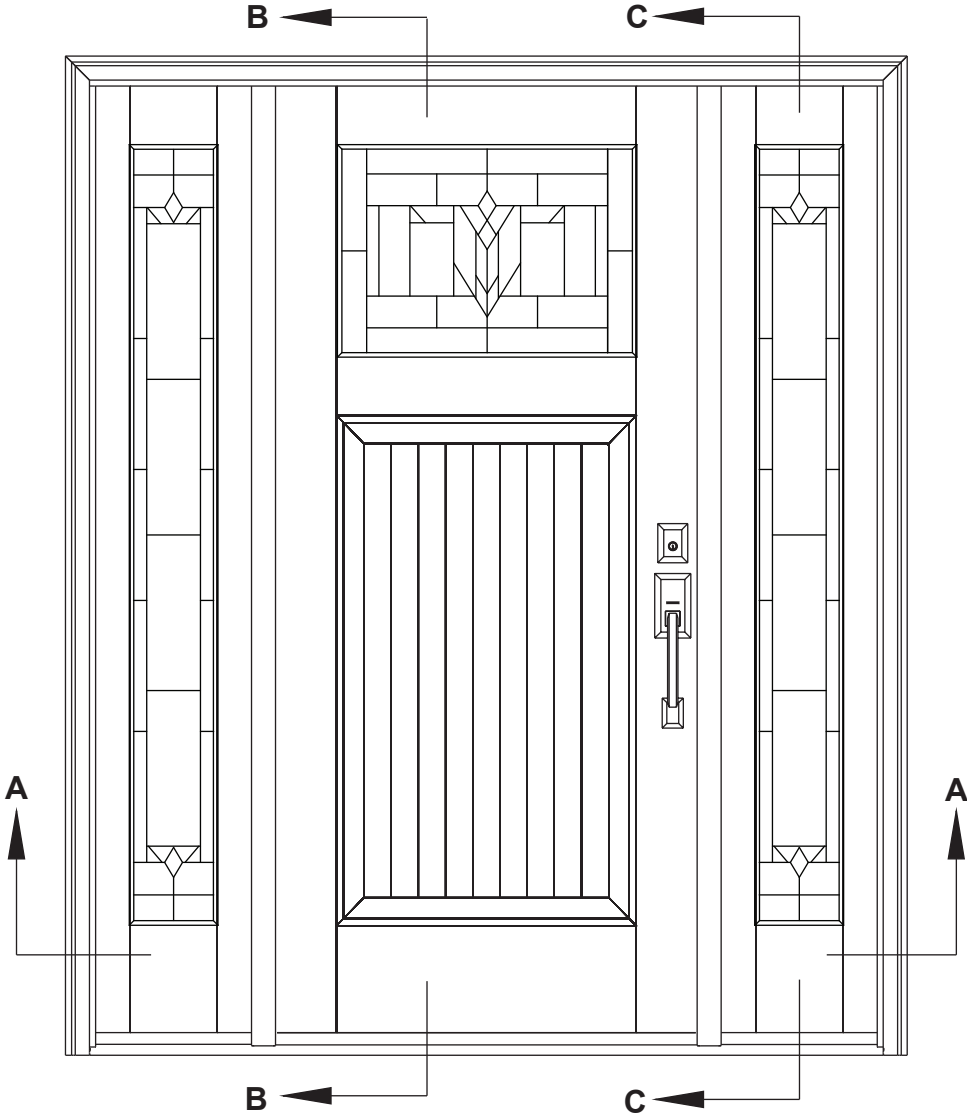


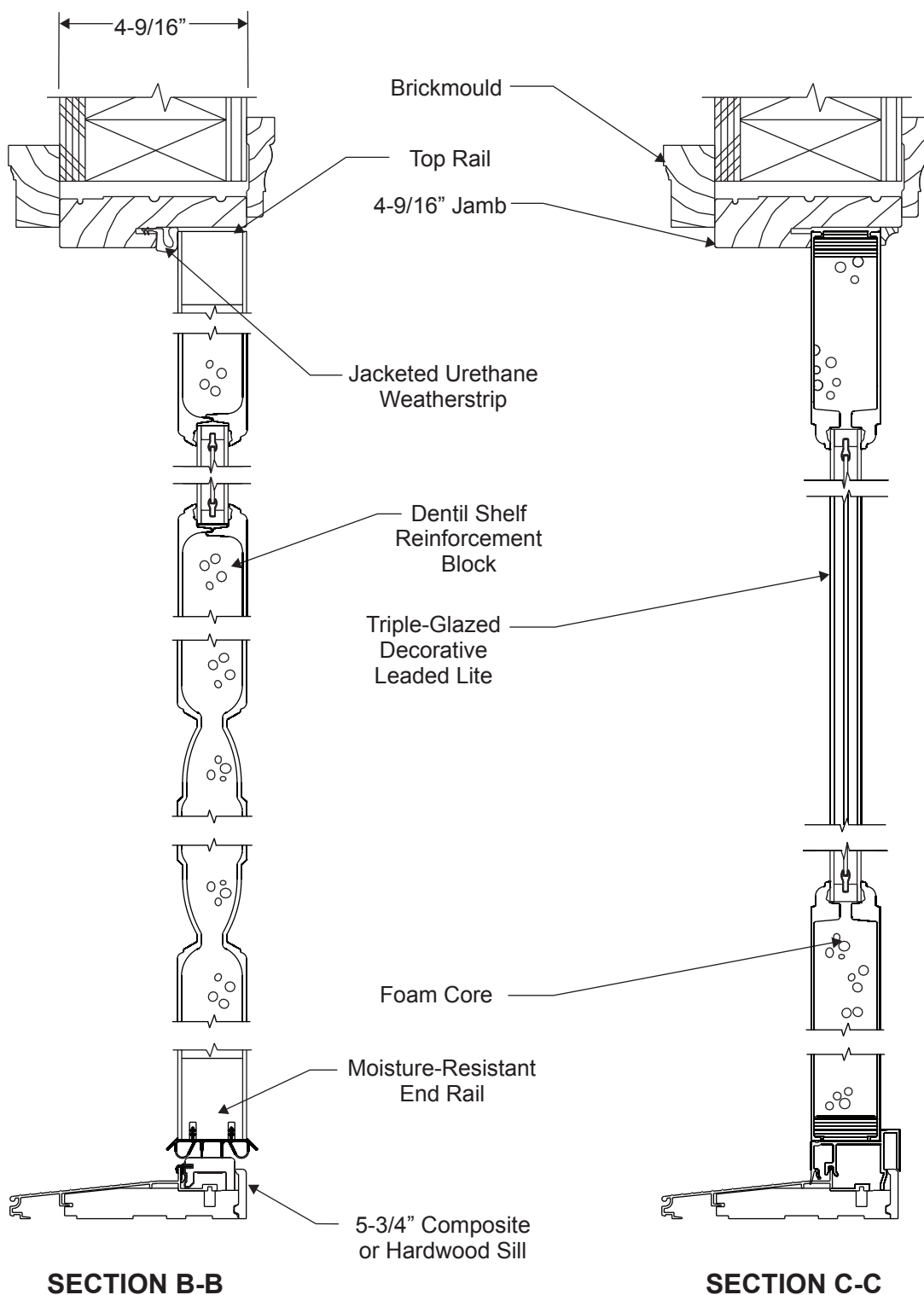
**SECTION B-B**

# Classic-Craft Canvas Style

Architectural  
Details

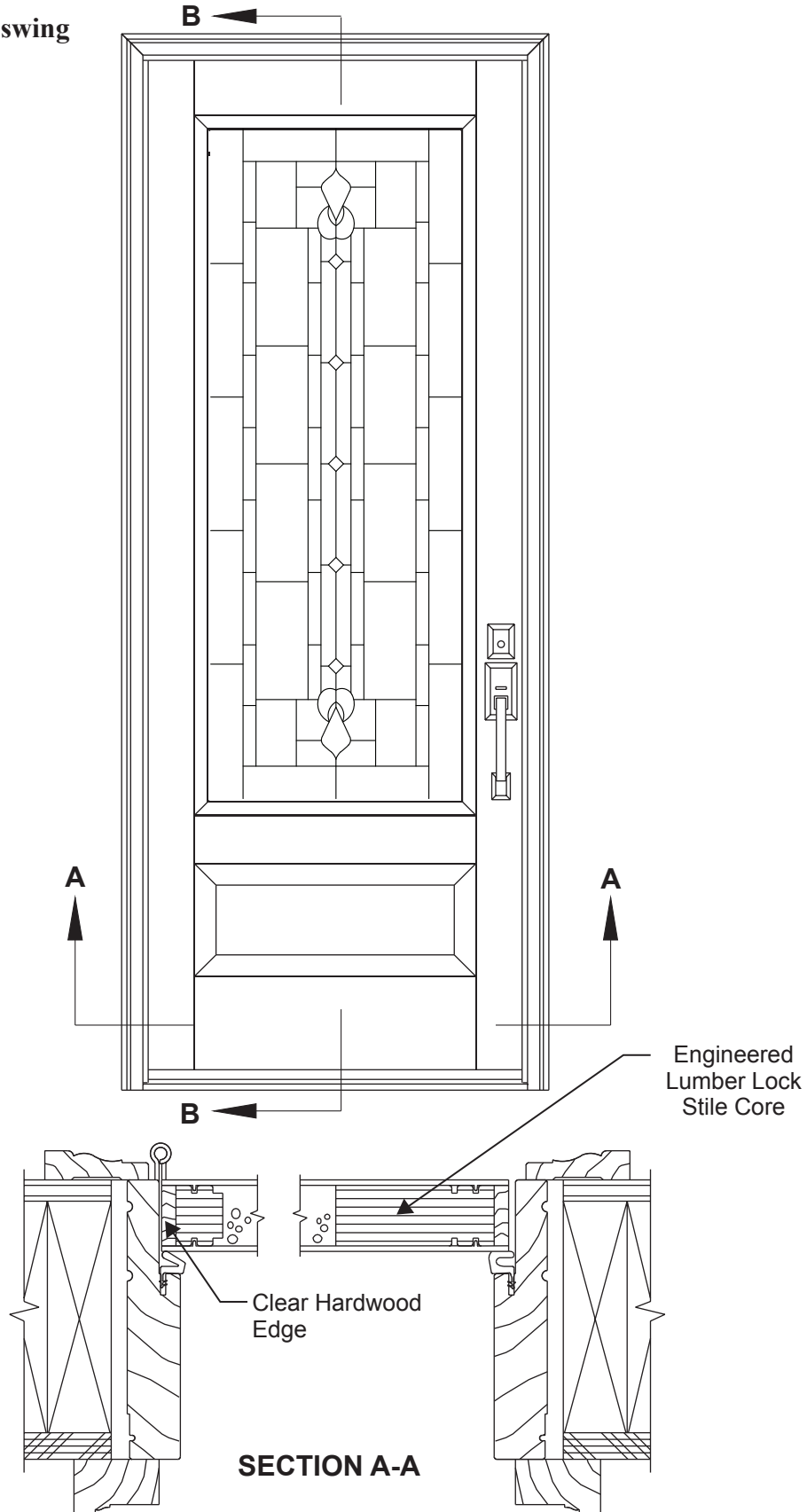
## Door/Sidelites with Continuous Head/Sill Frame

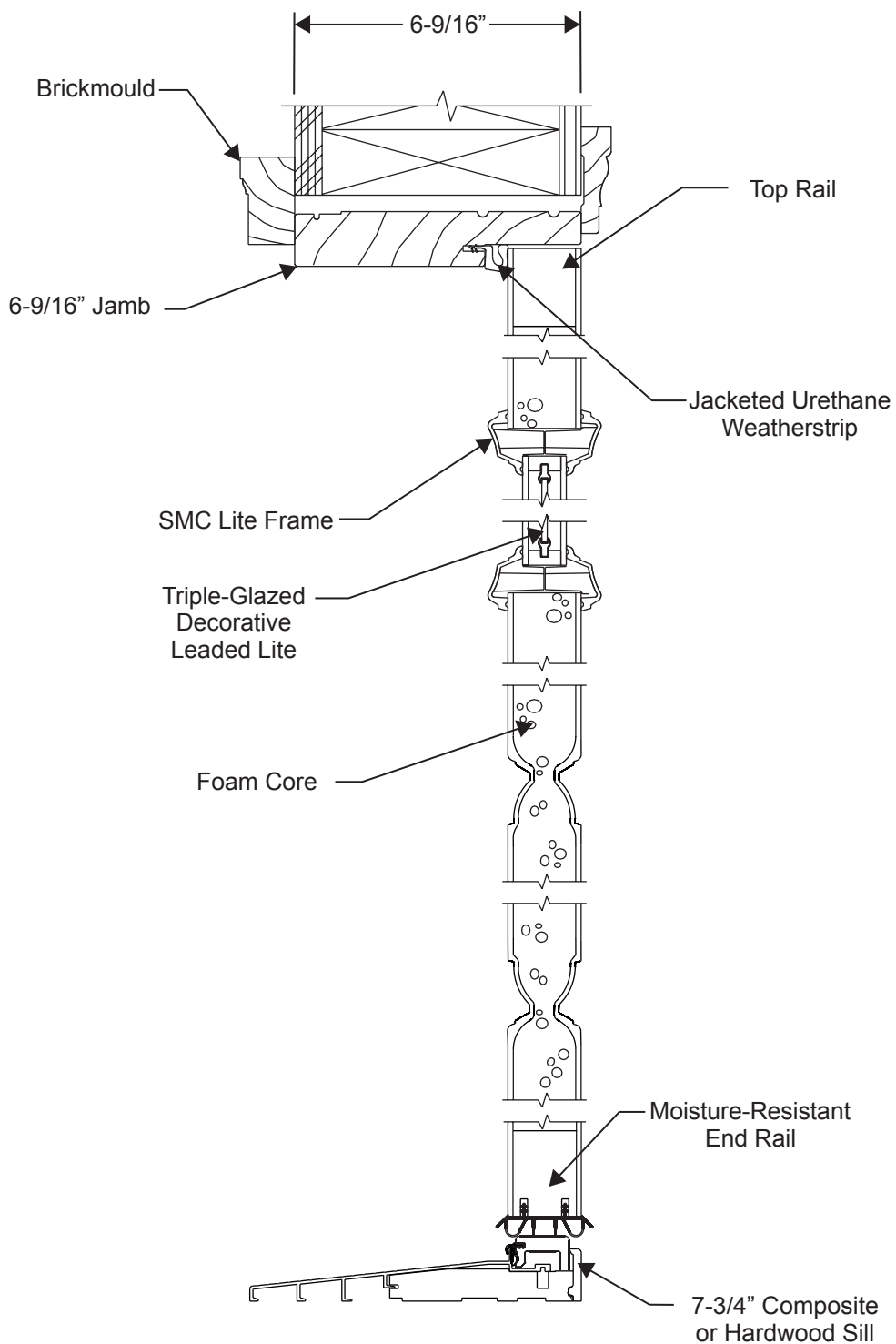




Architectural  
Details

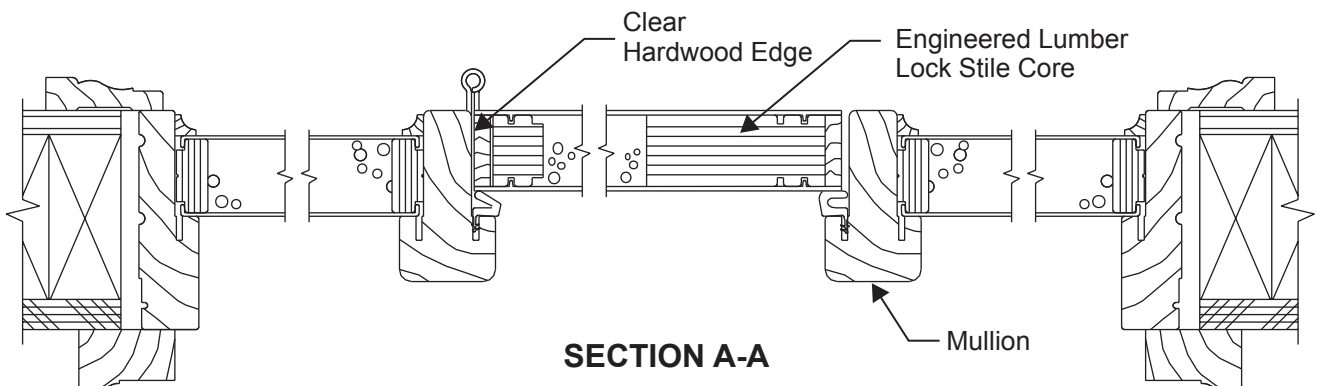
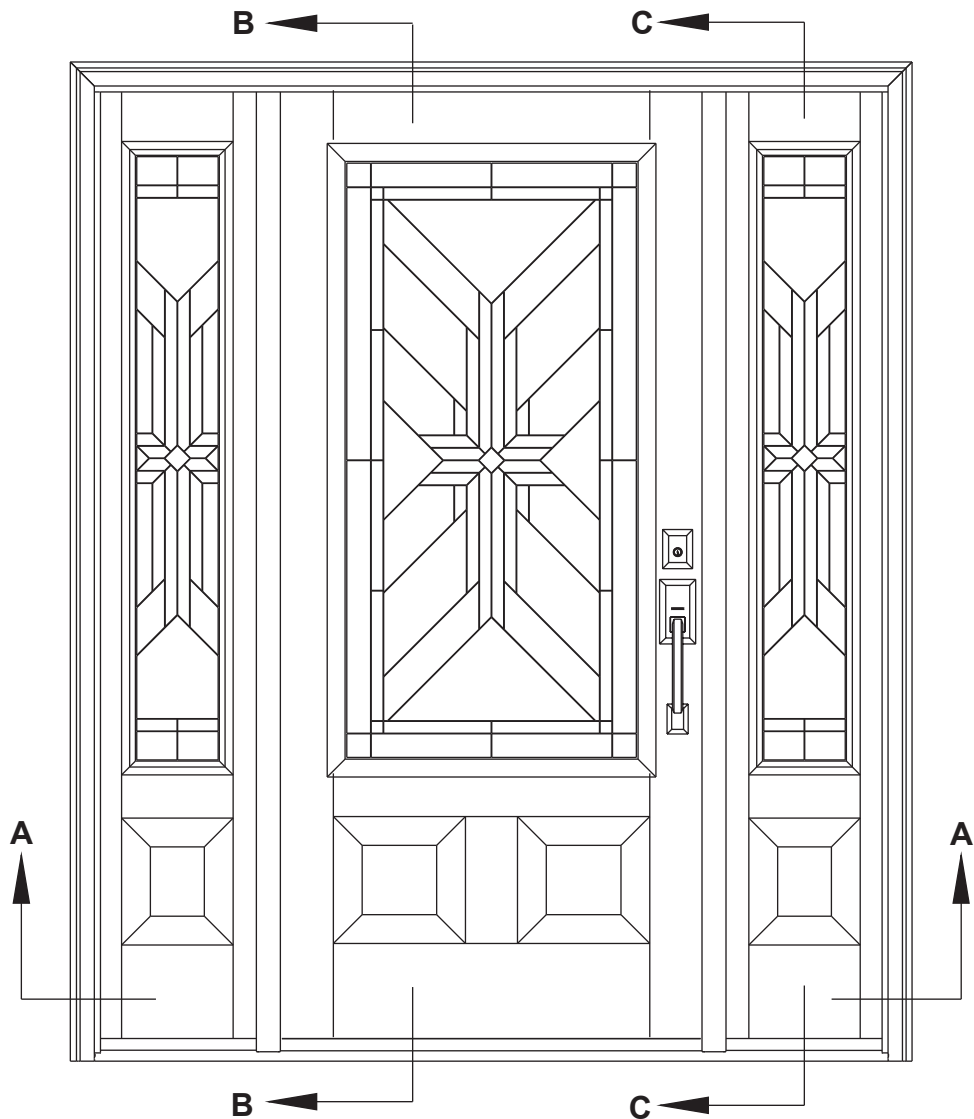
Single Door, Inswing



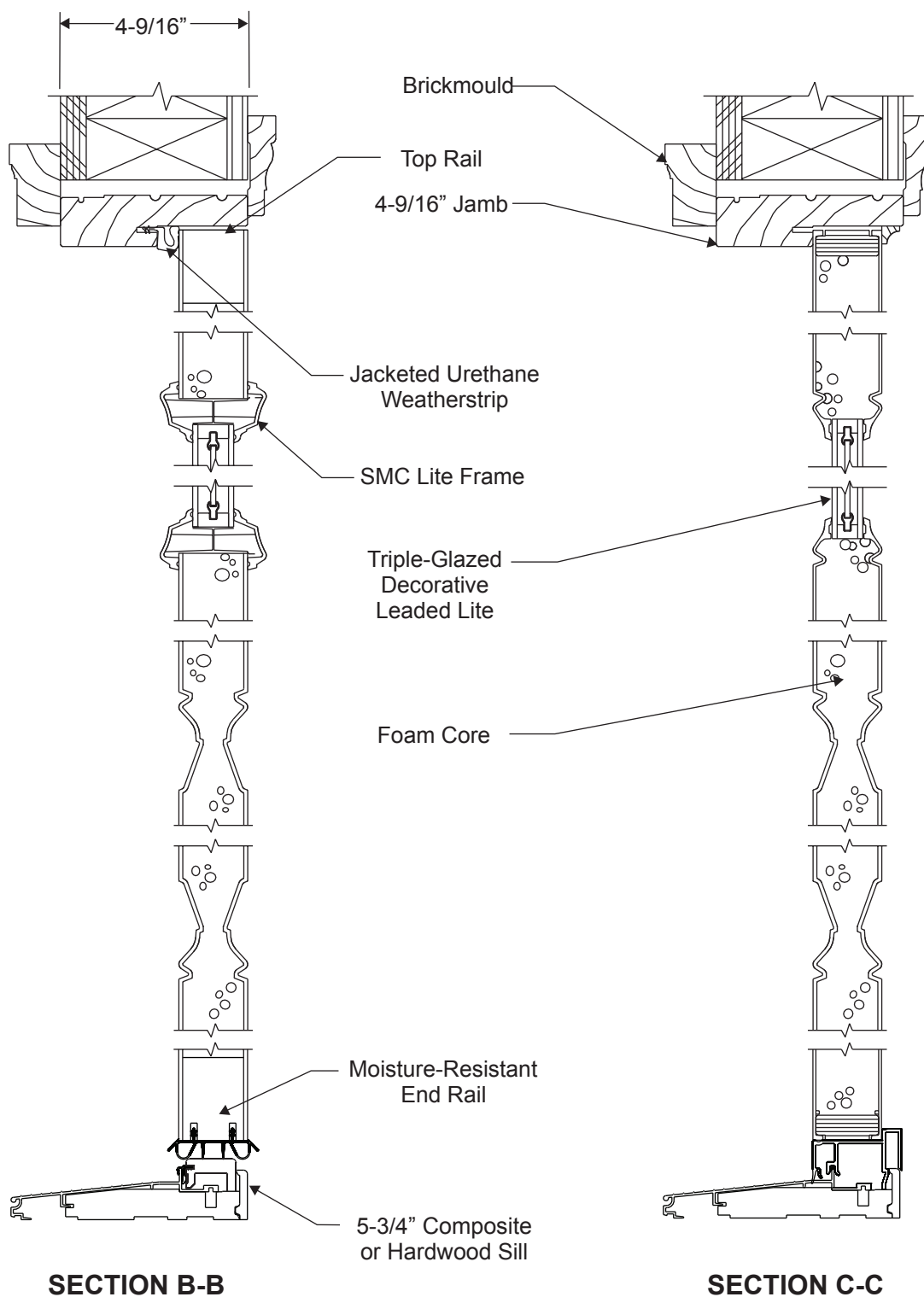


**SECTION B-B**

## Door/Sidelites with Continuous Head/Sill Frame



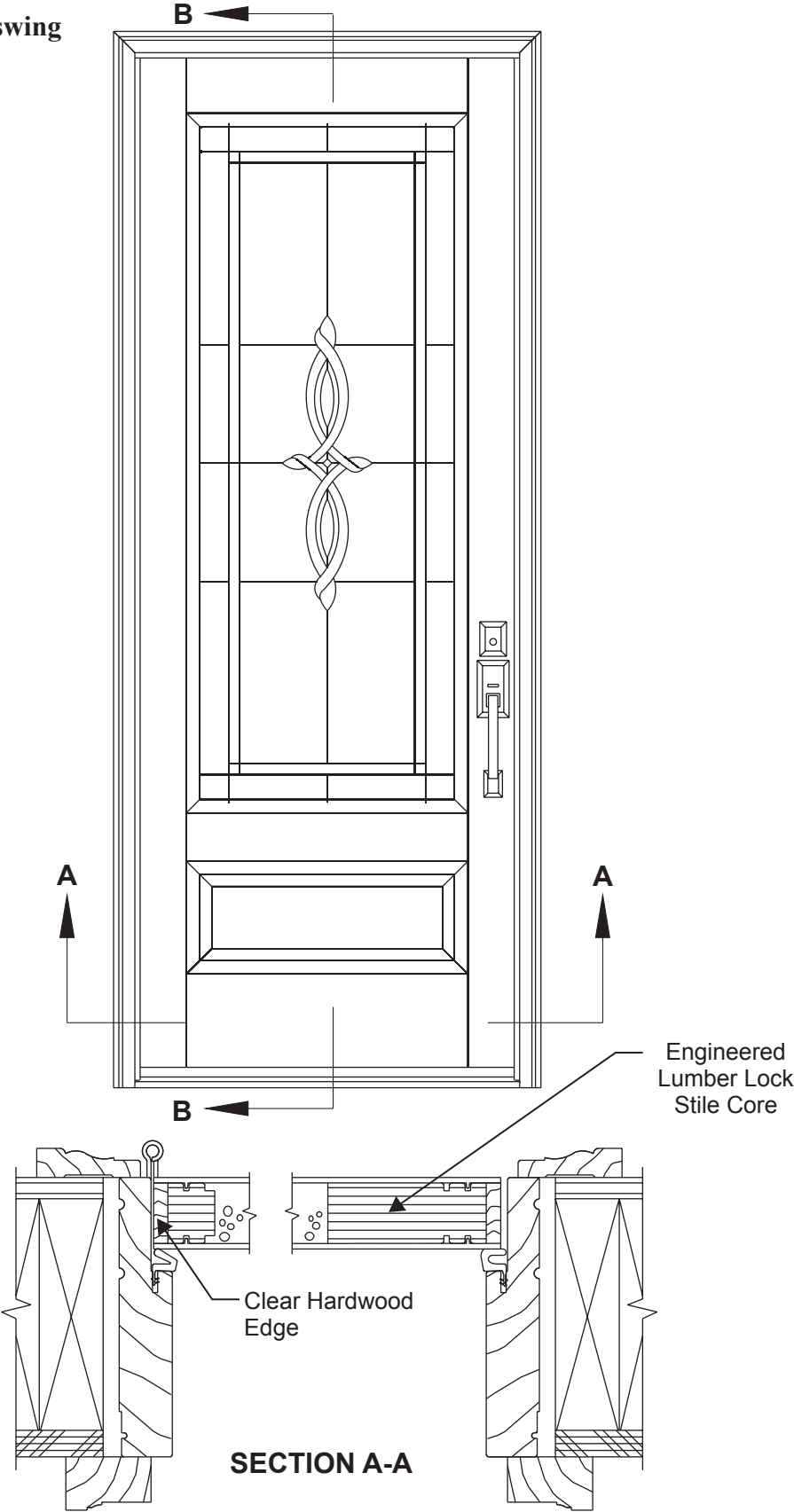


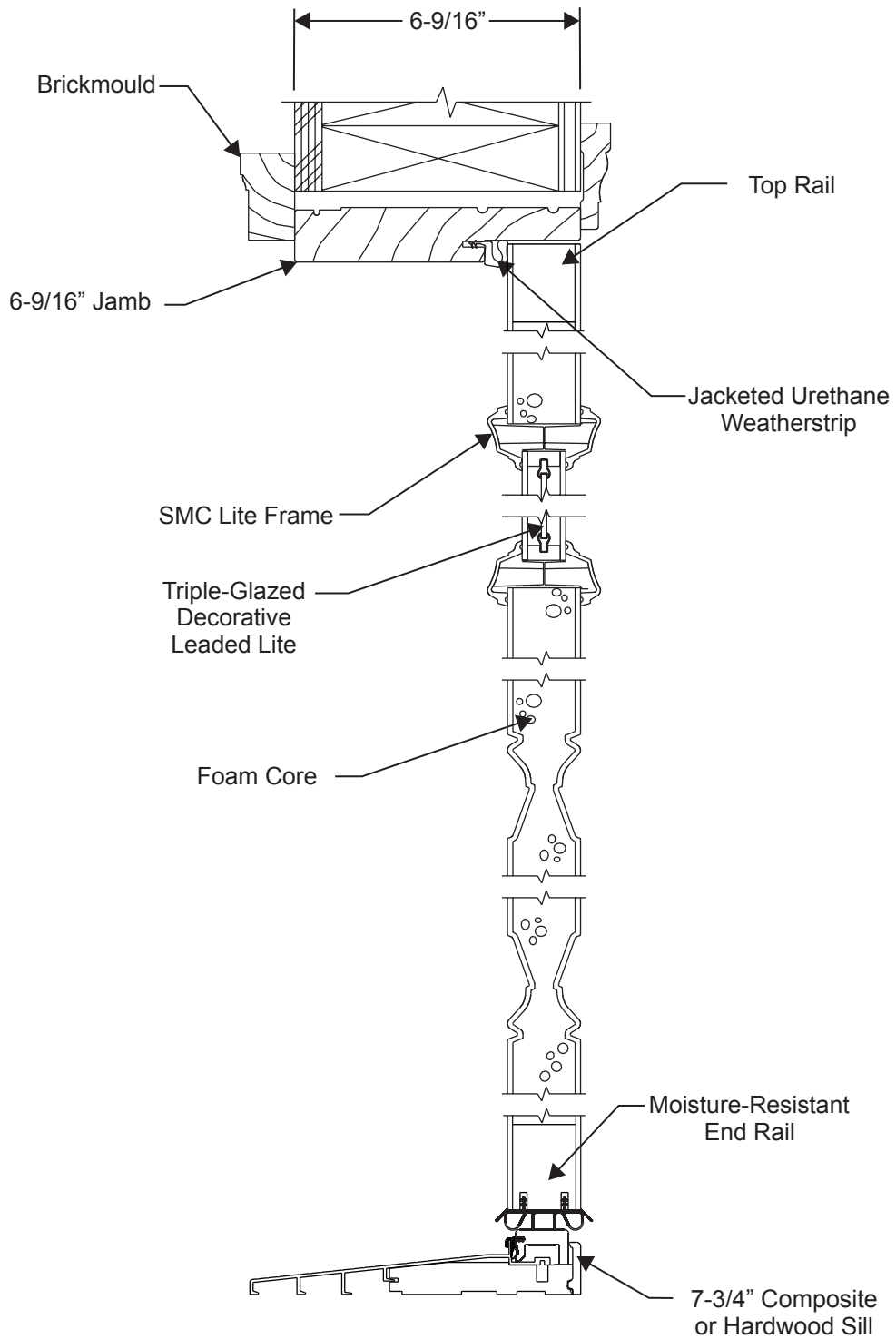


# Classic-Craft Mahogany 8/0

Architectural  
Details

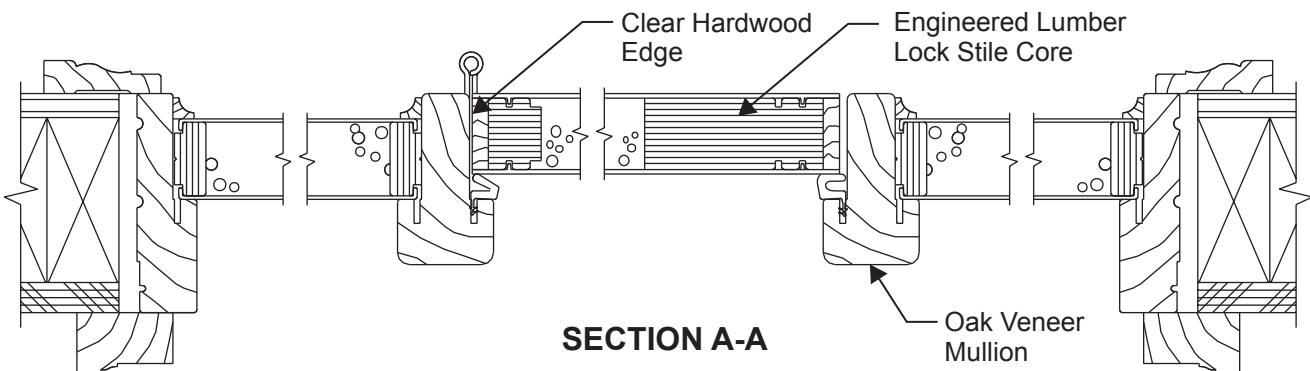
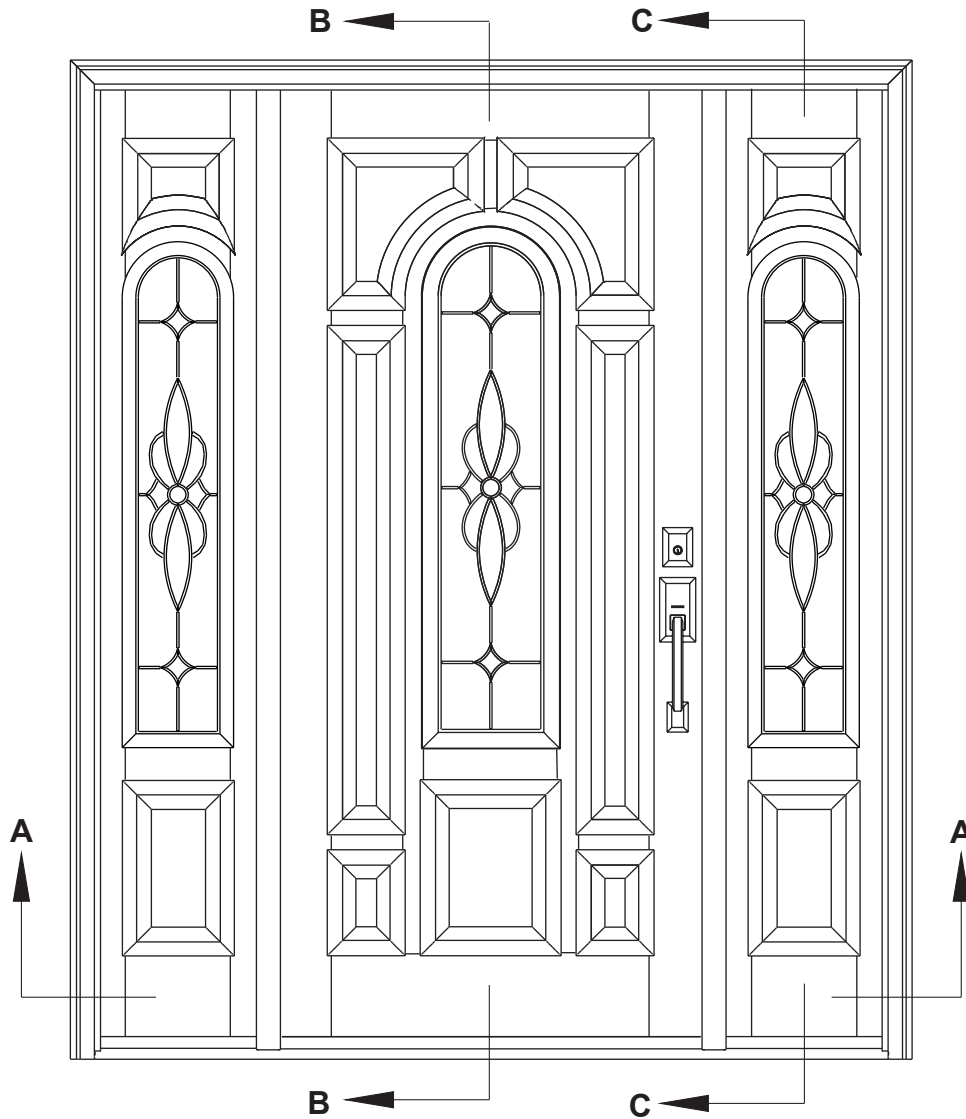
Single Door, Inswing

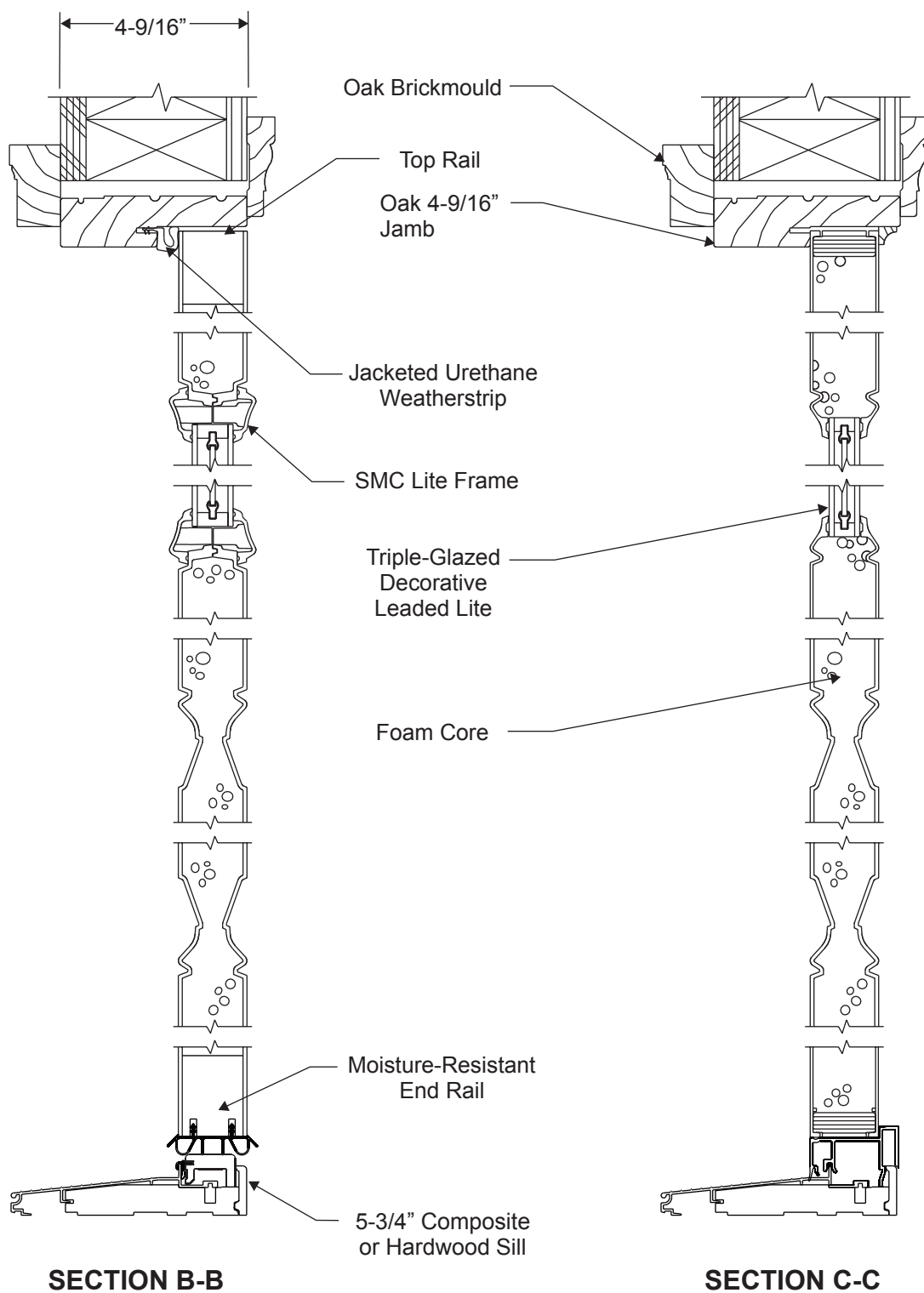




Architectural  
Details

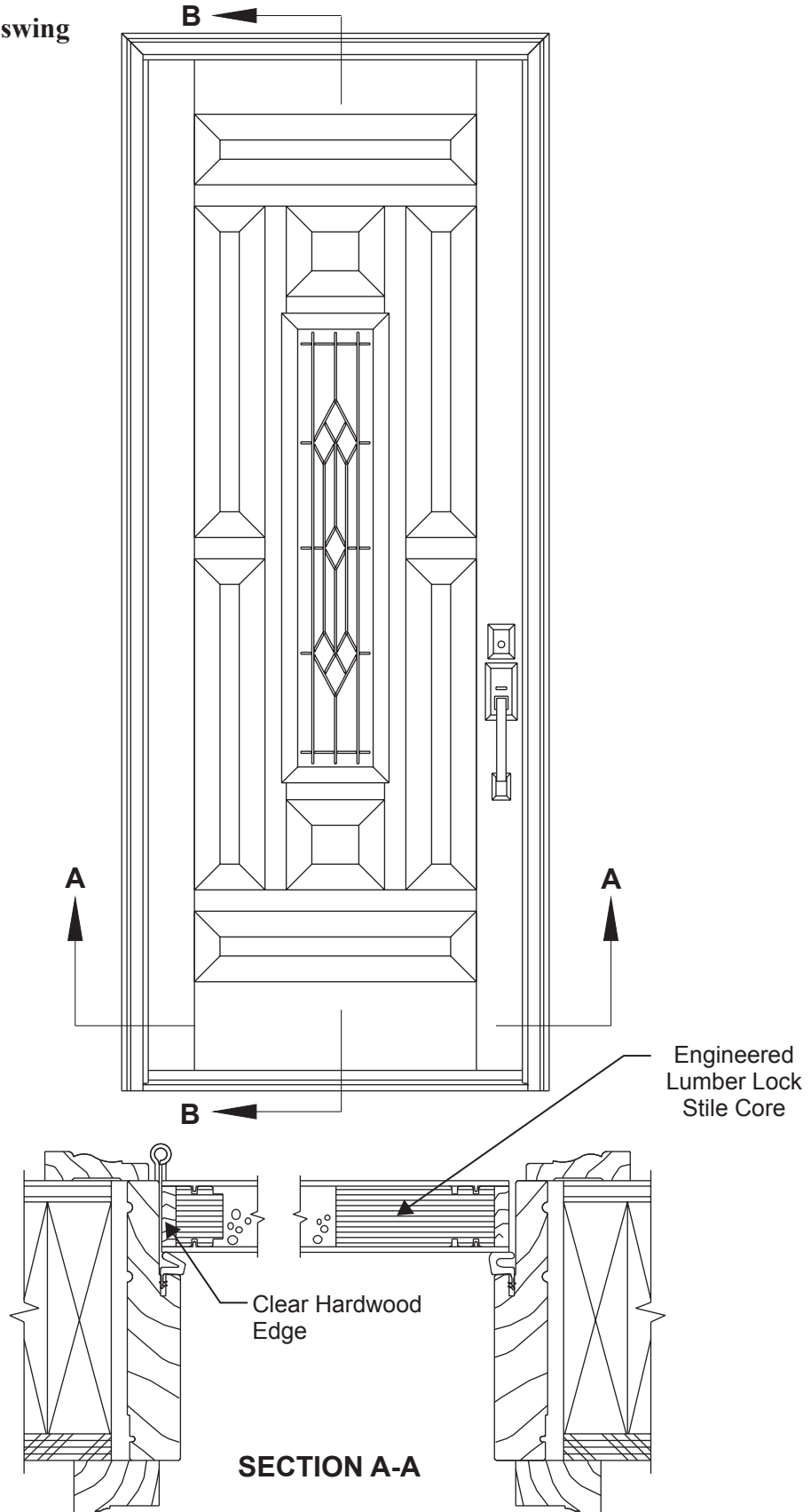
Door/Sidelites with Continuous Head/Sill Frame

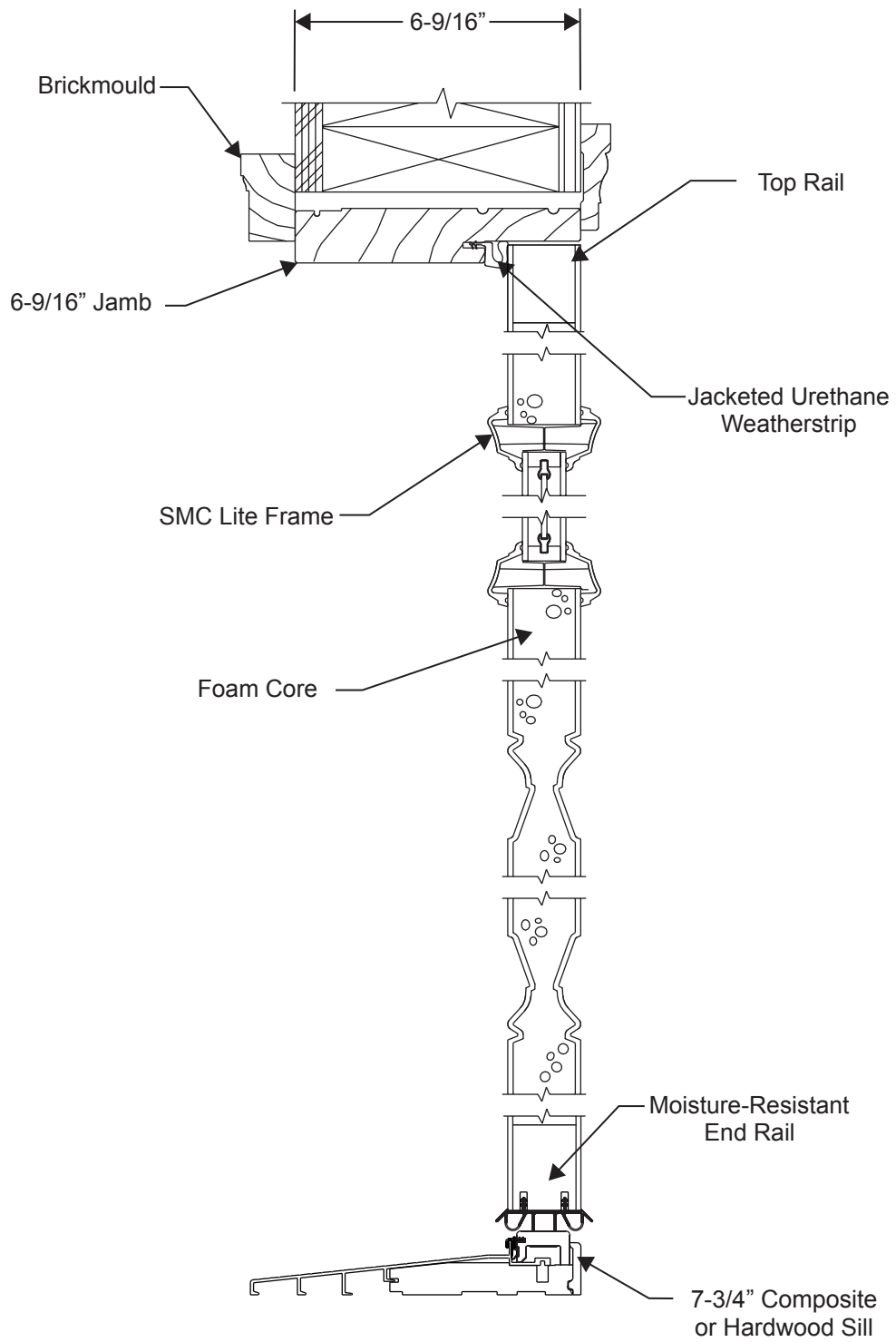




Architectural  
Details

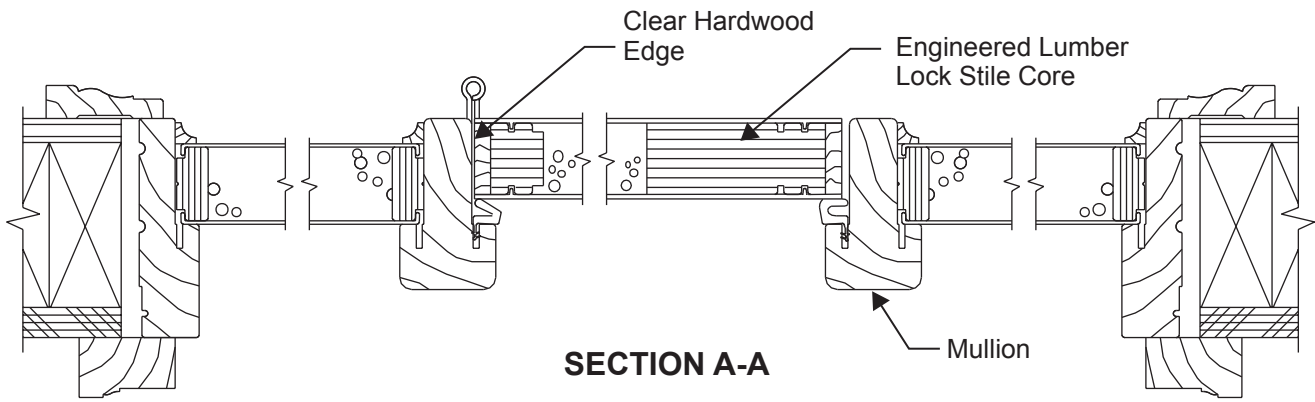
### Single Door, Inswing



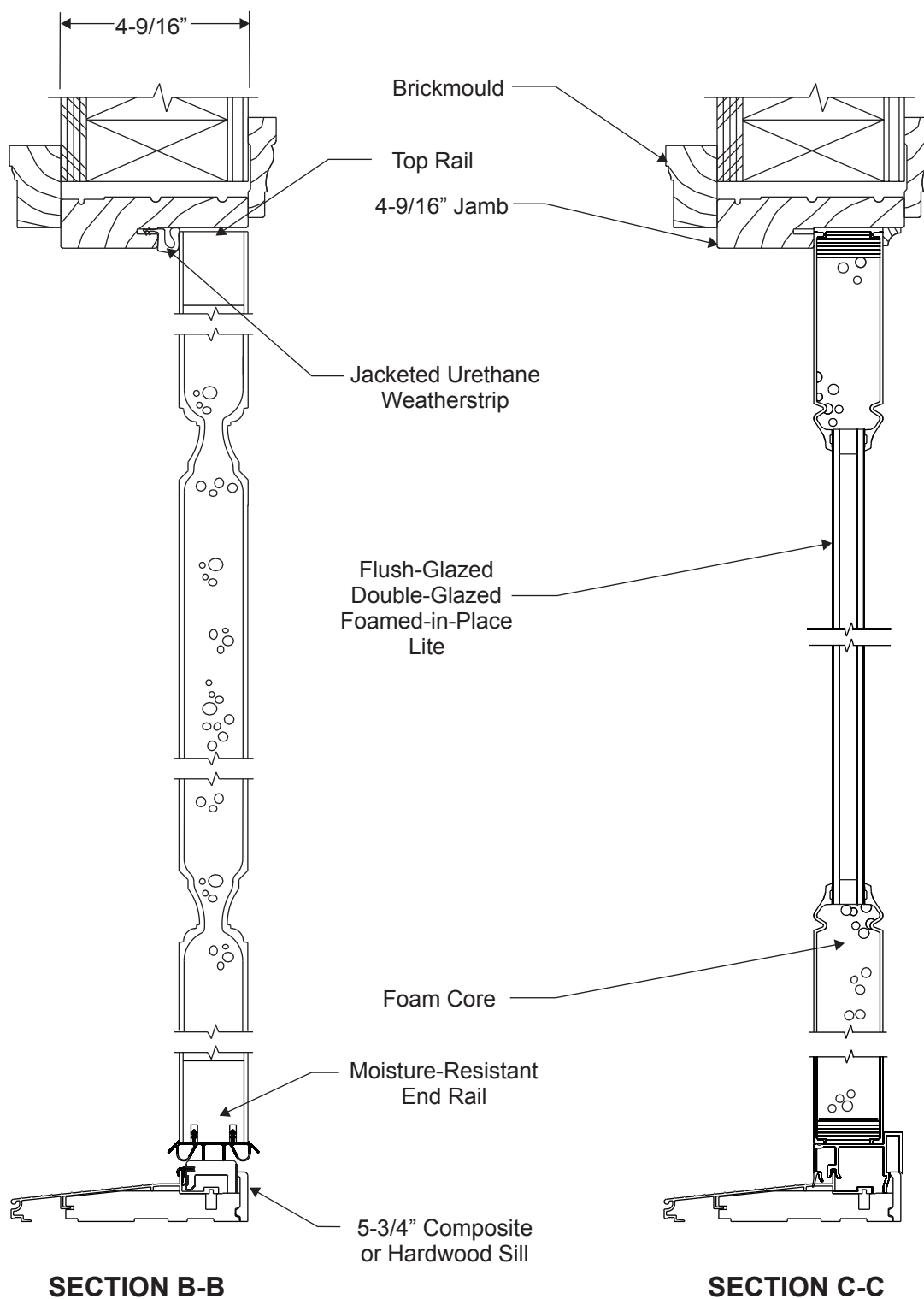


**SECTION B-B**

Door/Sidelites with Continuous Head/Sill Frame



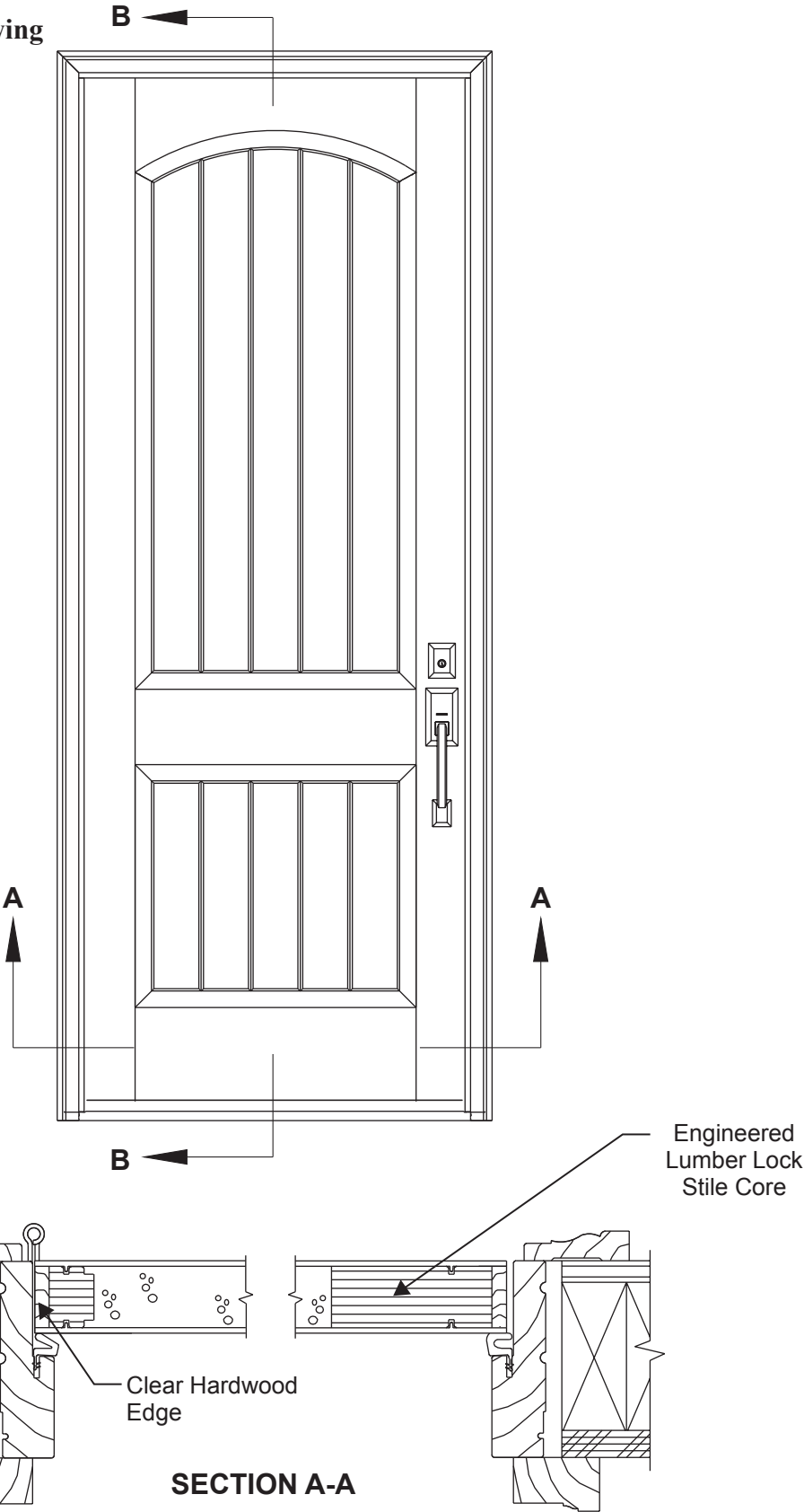


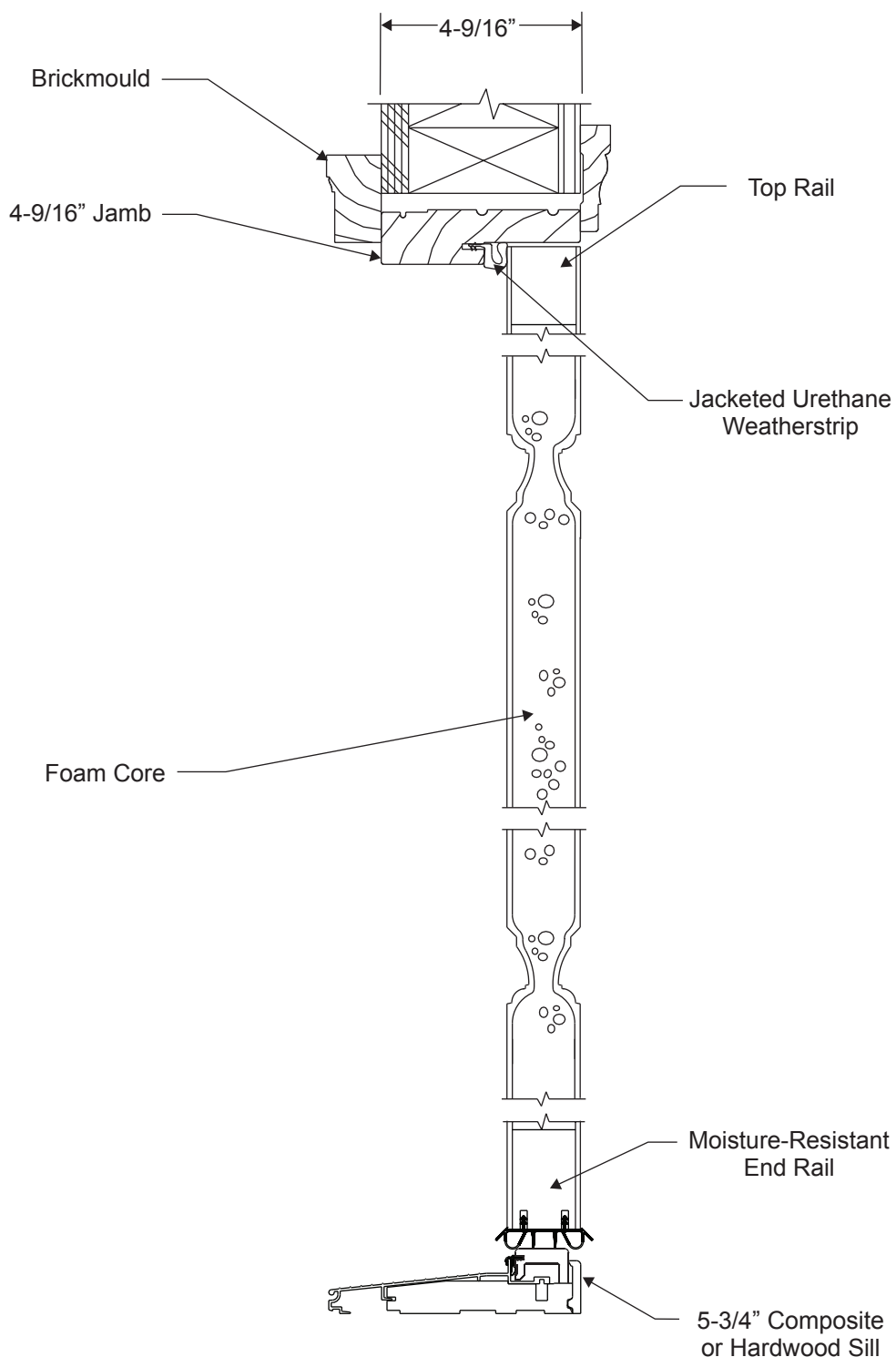


# Classic-Craft Rustic 8/0

Architectural  
Details

8/0 Single Door, Inswing

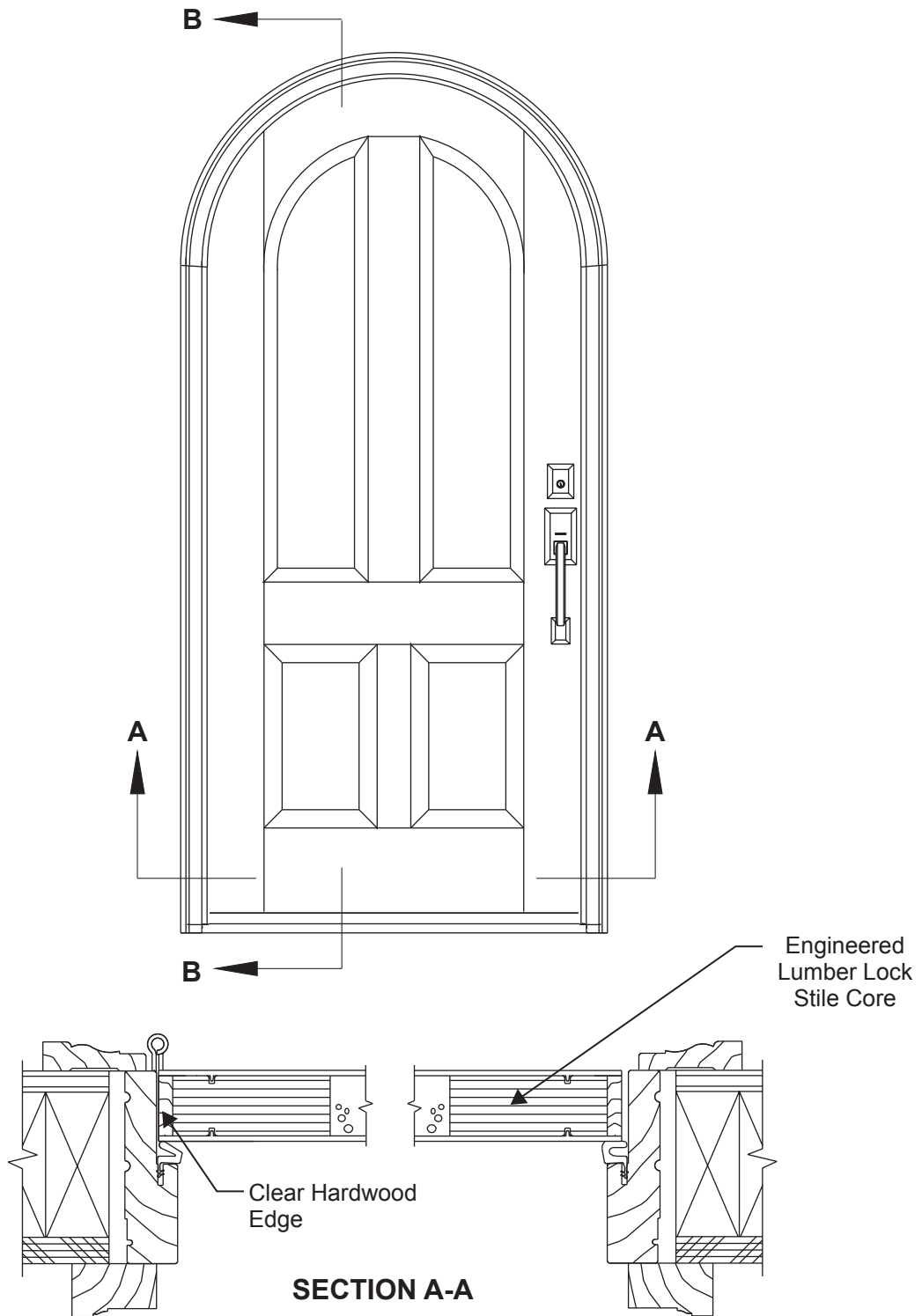


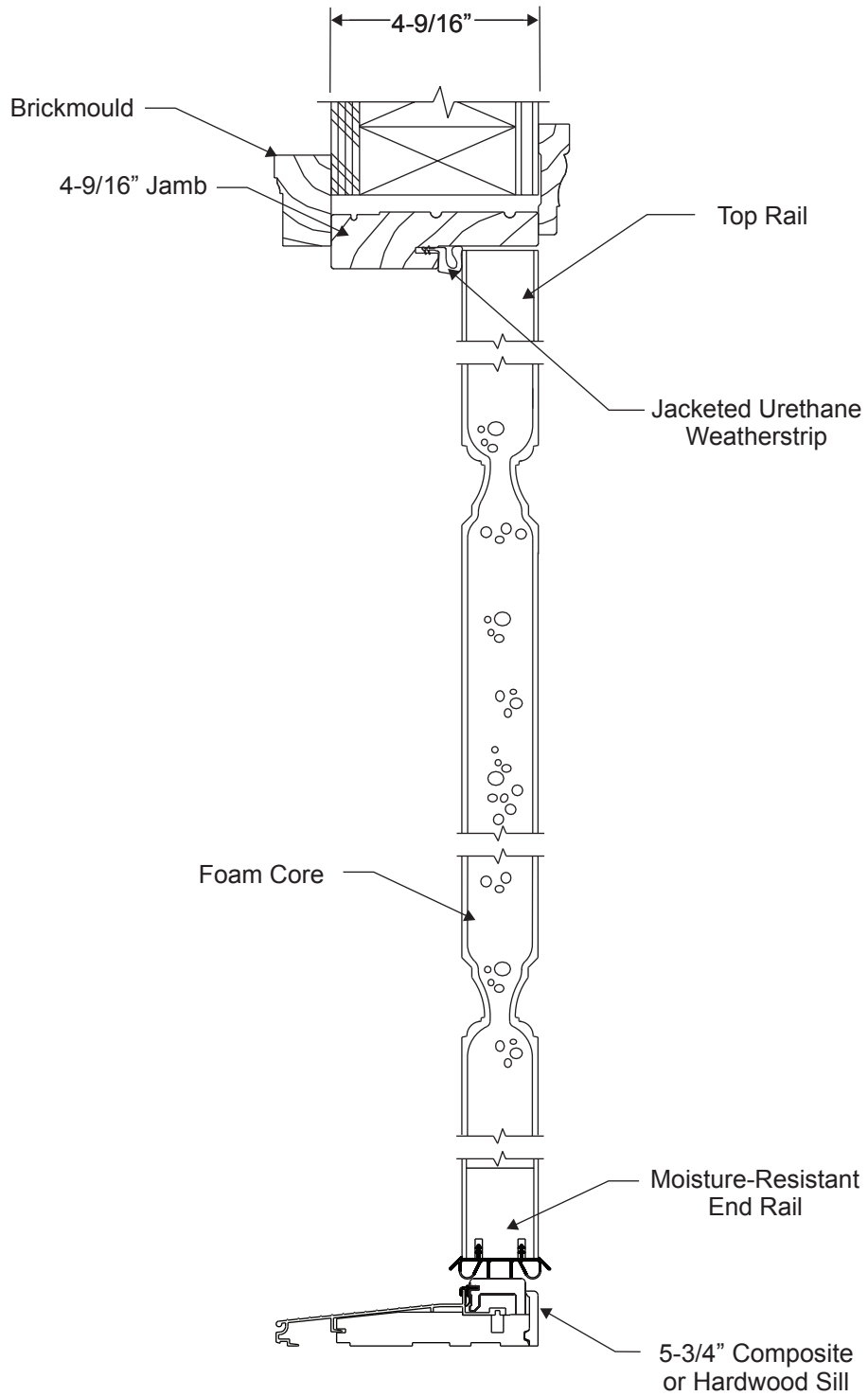


# Classic-Craft Rustic Radius Top

Architectural  
Details

## 6/8 Single Radius Top Door, Inswing



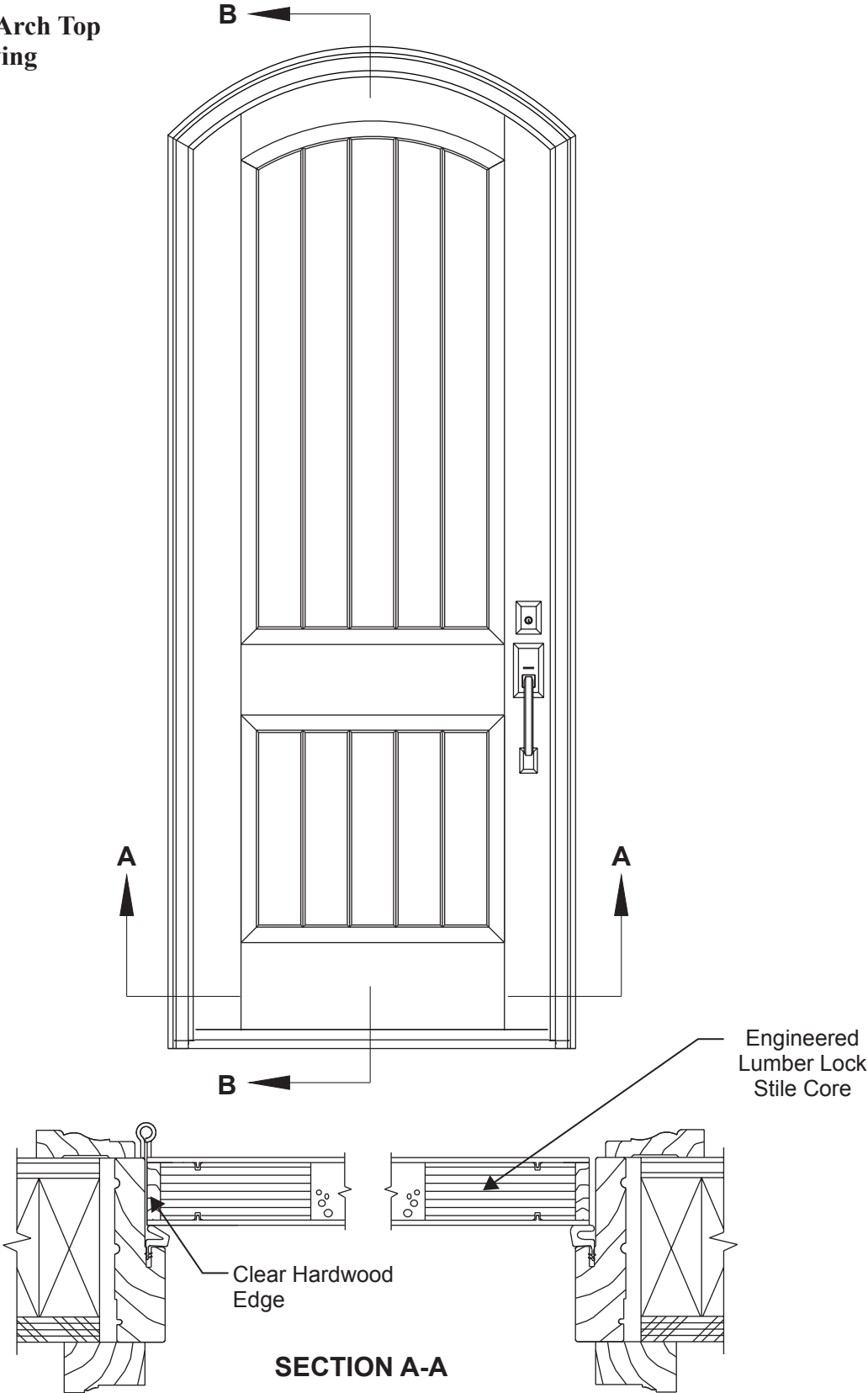


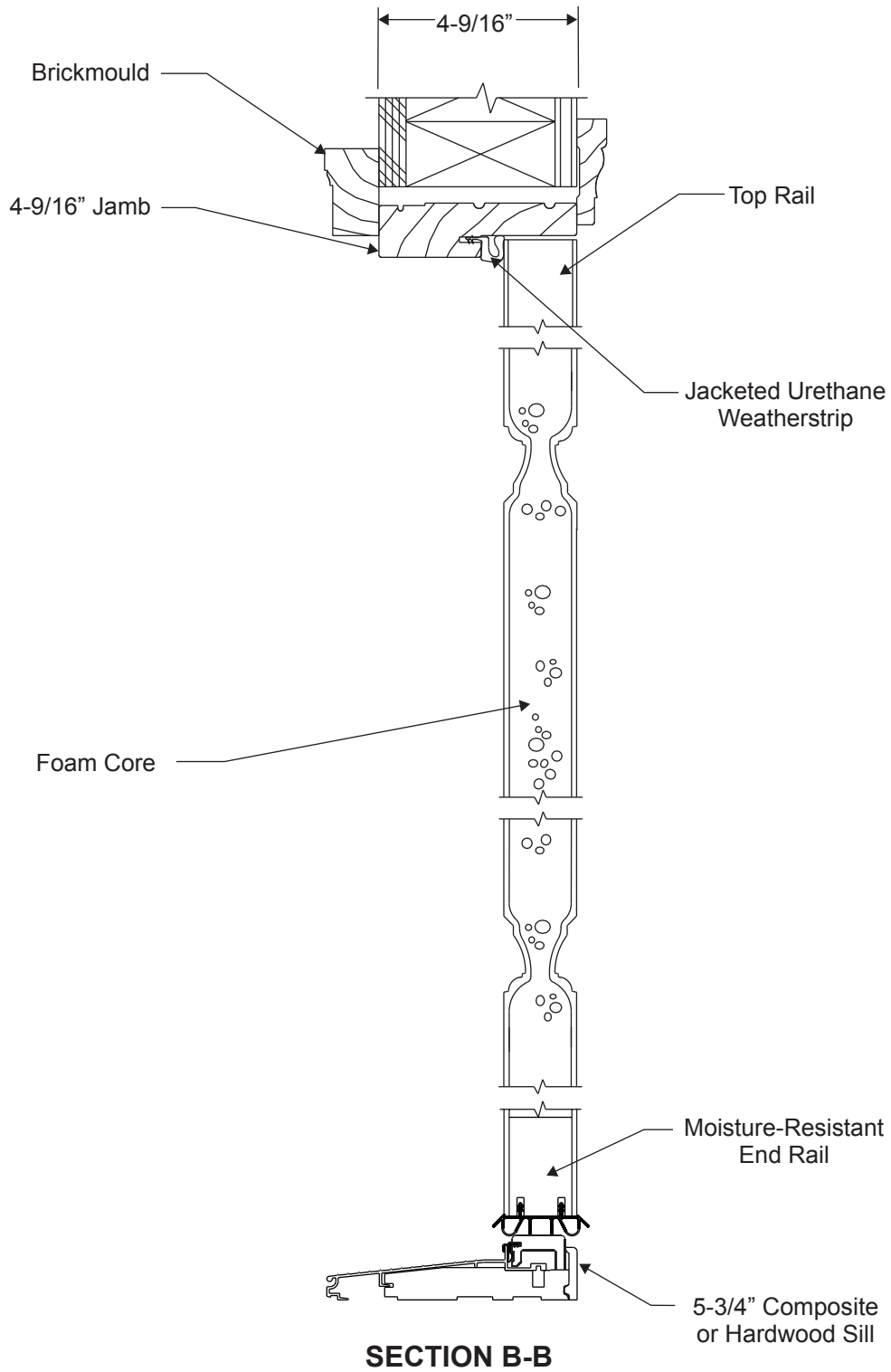
**SECTION B-B**

# Classic-Craft Rustic Arch Top

Architectural  
Details

**8/0 Single Arch Top  
Door, Inswing**

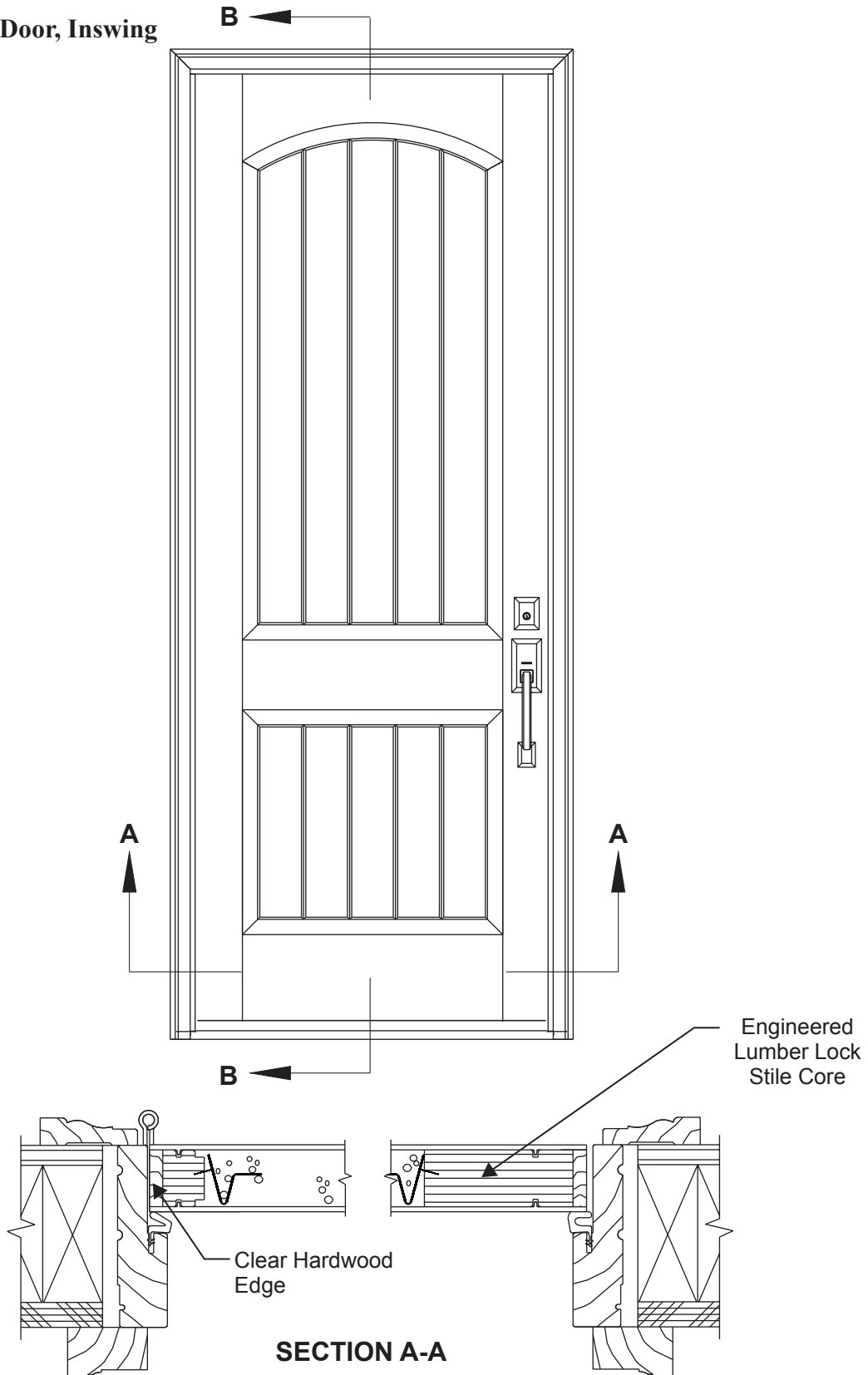




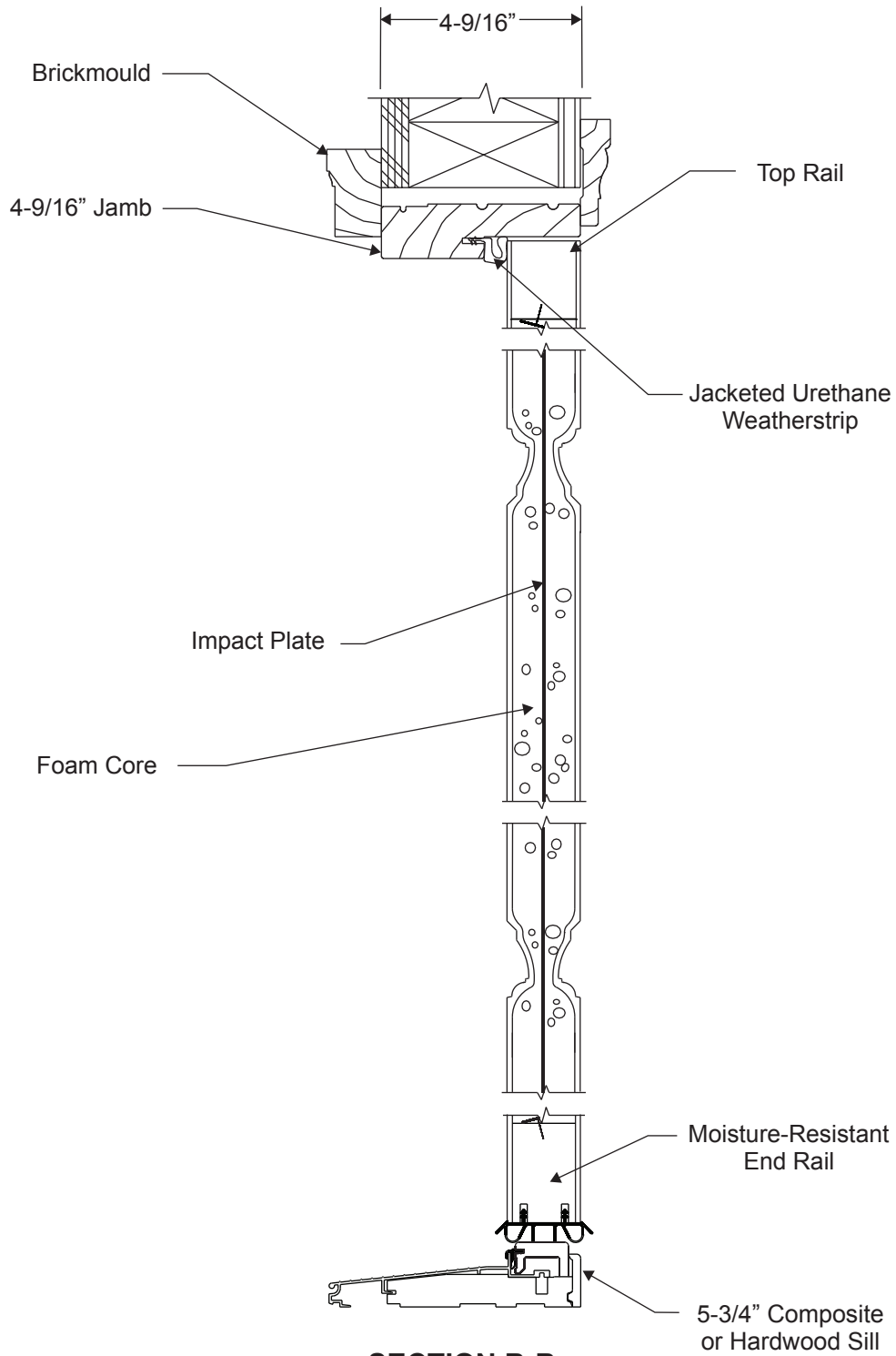
# Classic-Craft Rustic Square Top Impact

Architectural  
Details

8/0 Single Door, Inswing  
(Shown)

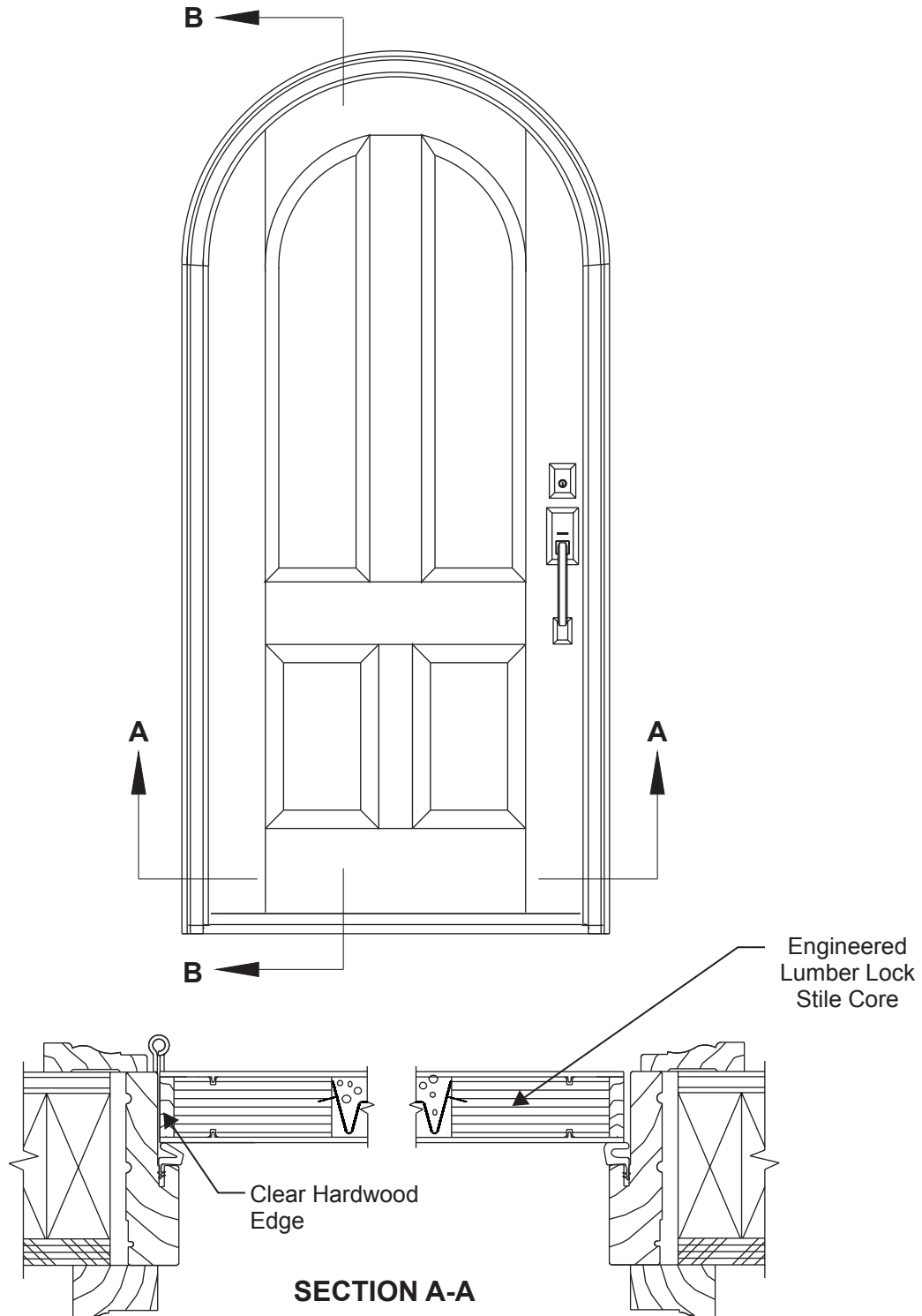


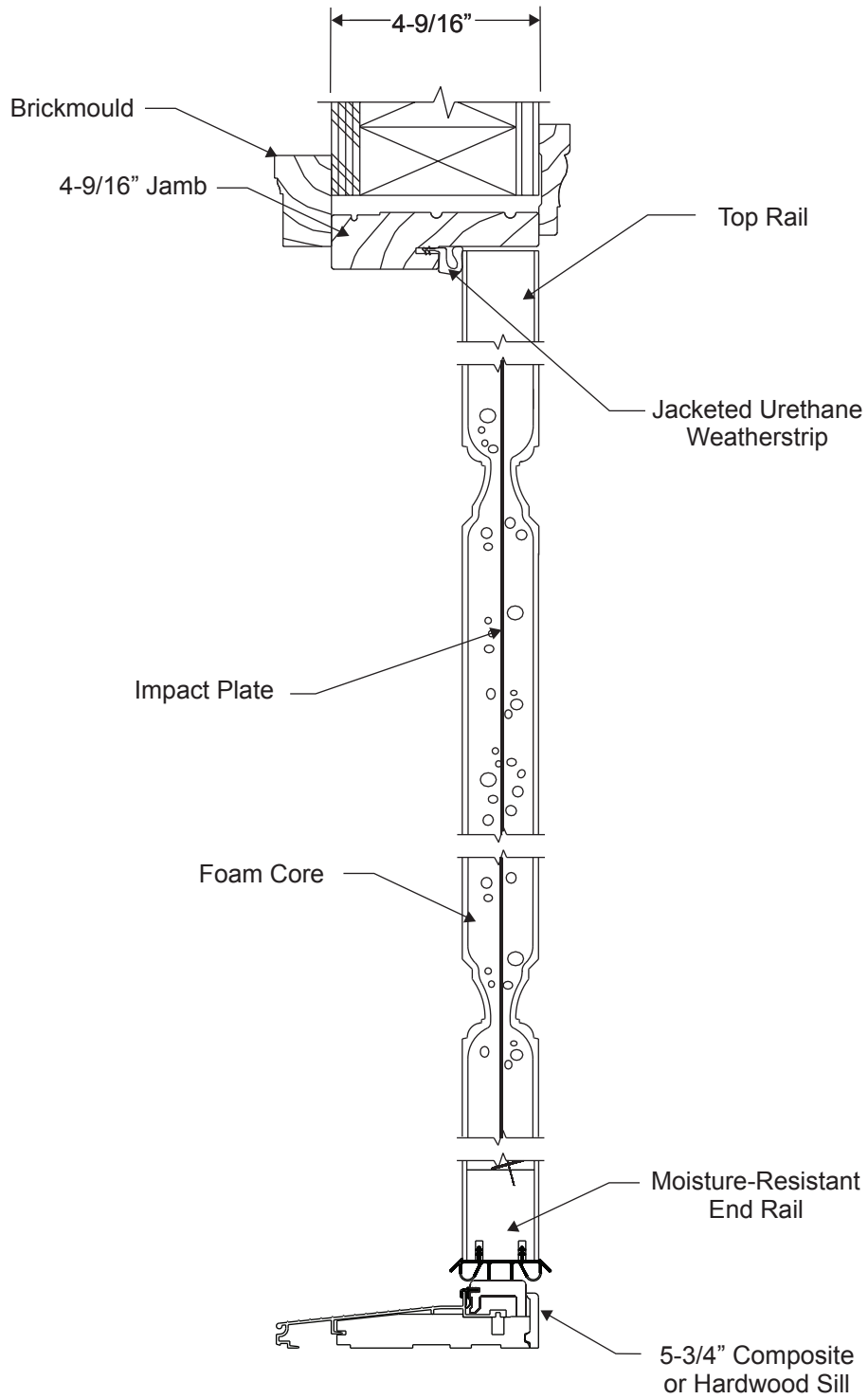




**SECTION B-B**

## 6/8 Single Radius Top Door, Inswing



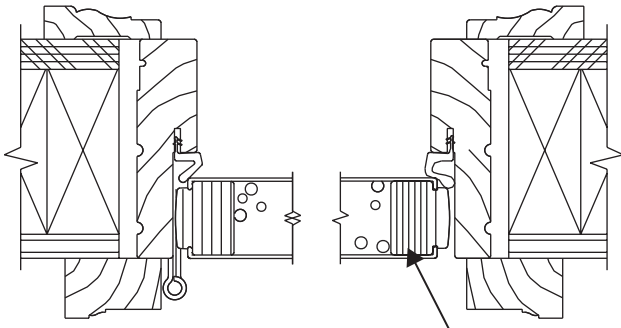
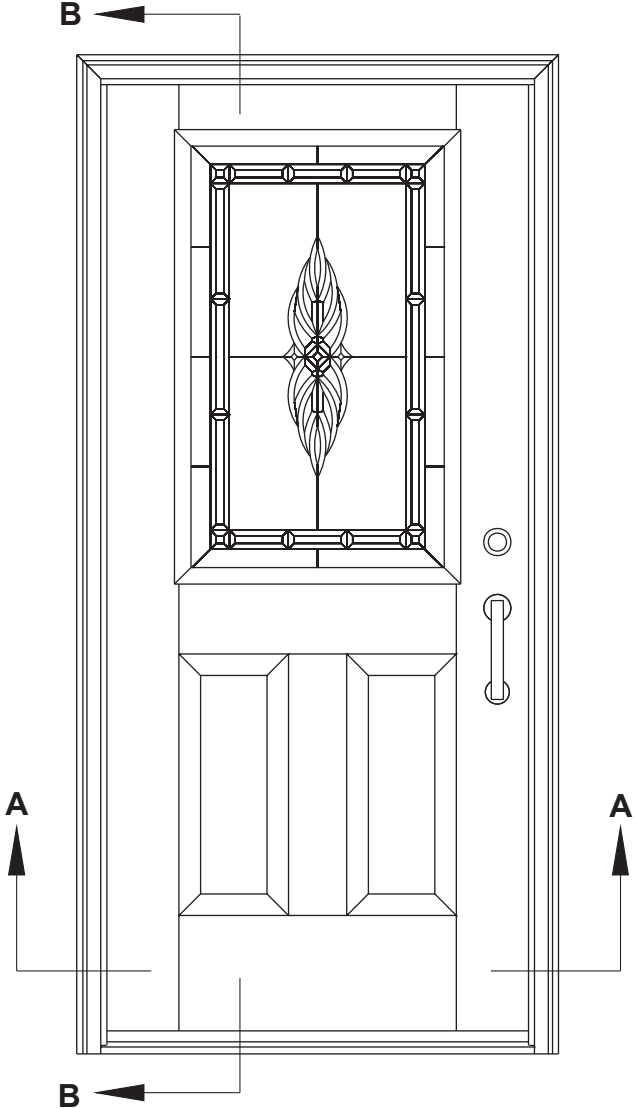


**SECTION B-B**

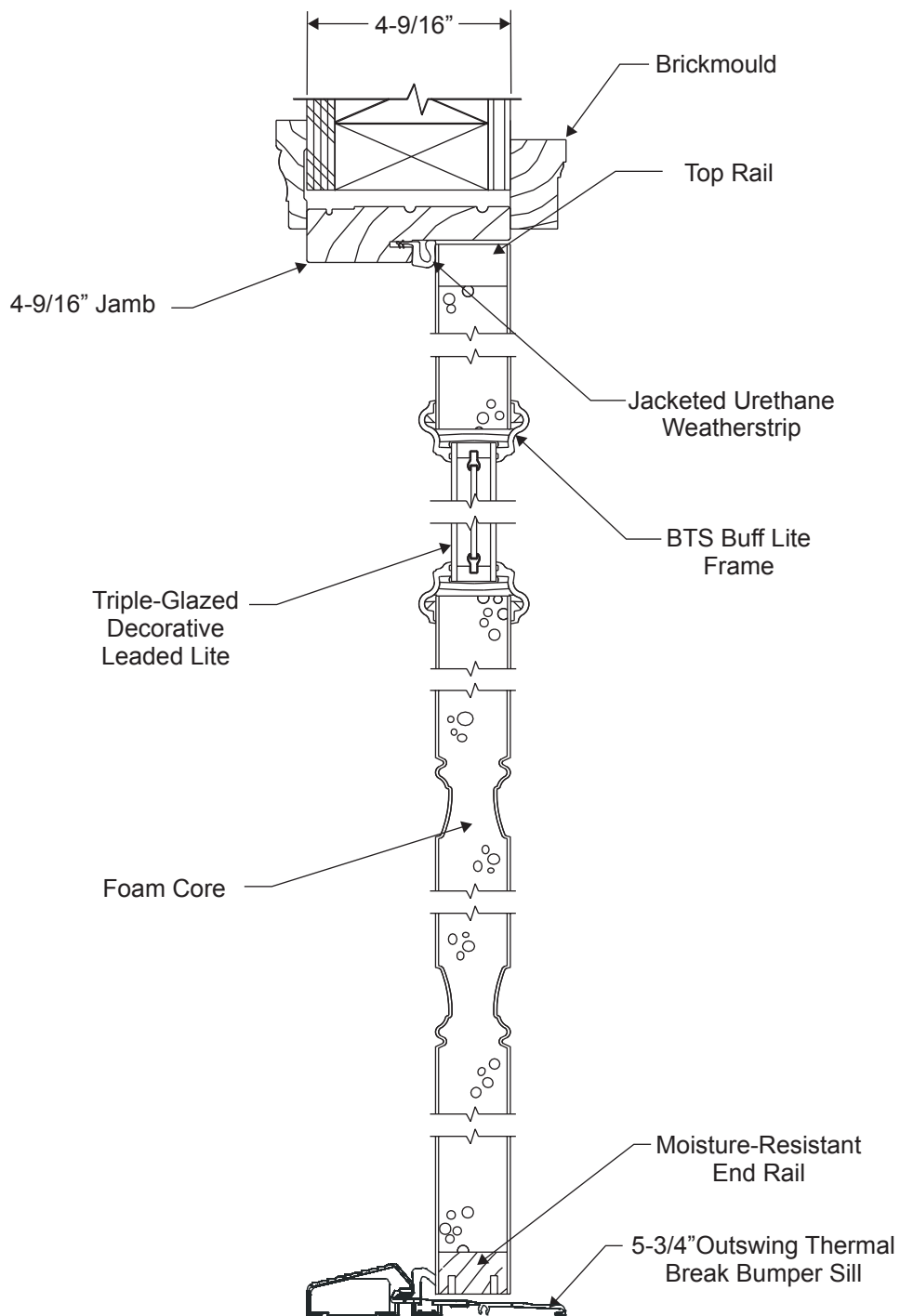
# Fiber-Classic Mahogany

Architectural  
Details

Single Door, Outswing



**SECTION A-A** — Engineered Lumber Lock Stile Core

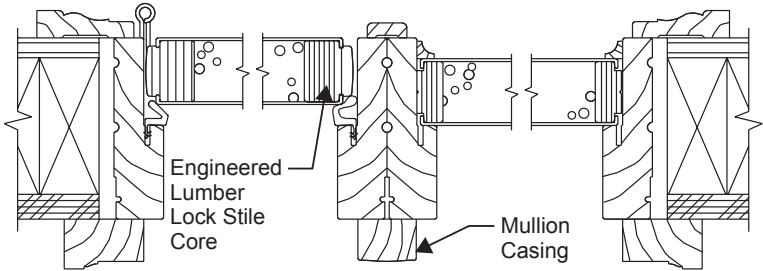
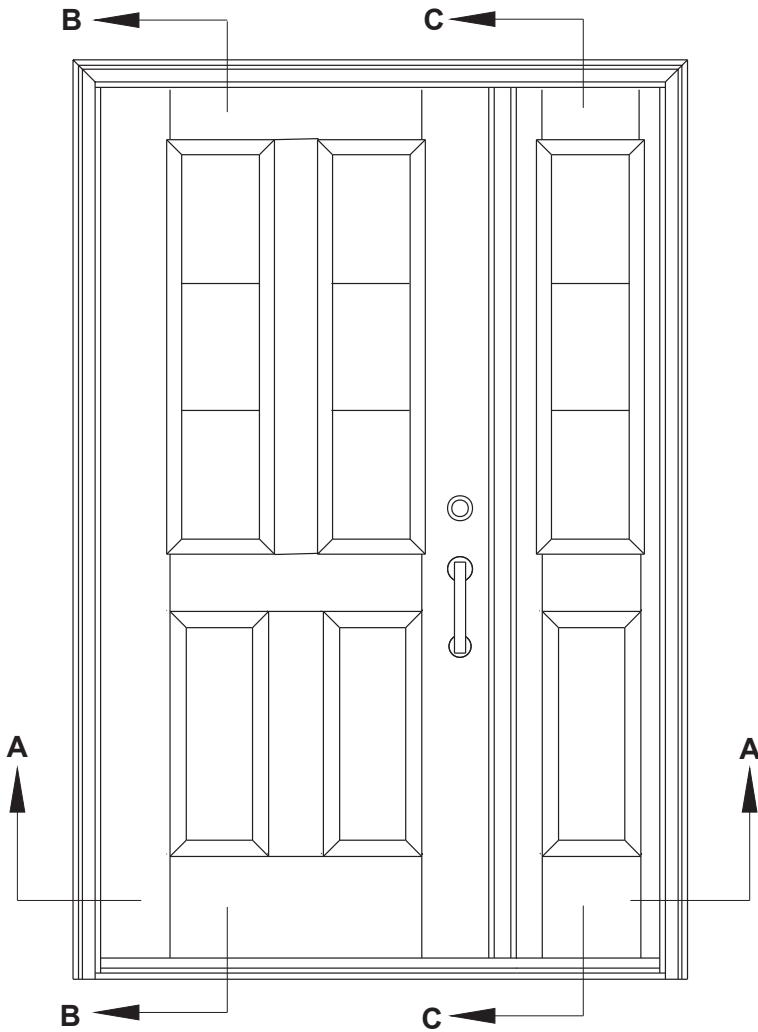


**SECTION B-B**

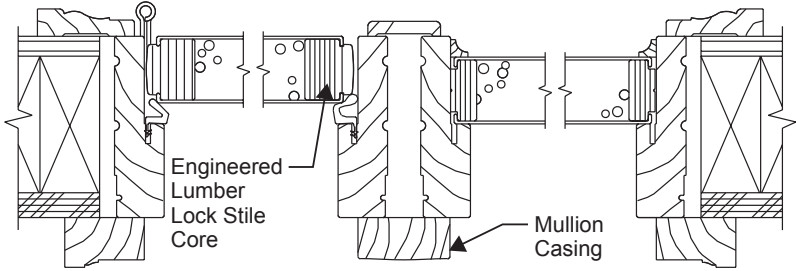
# Fiber-Classic Oak

## Door/Sidelite with Spread Mullion

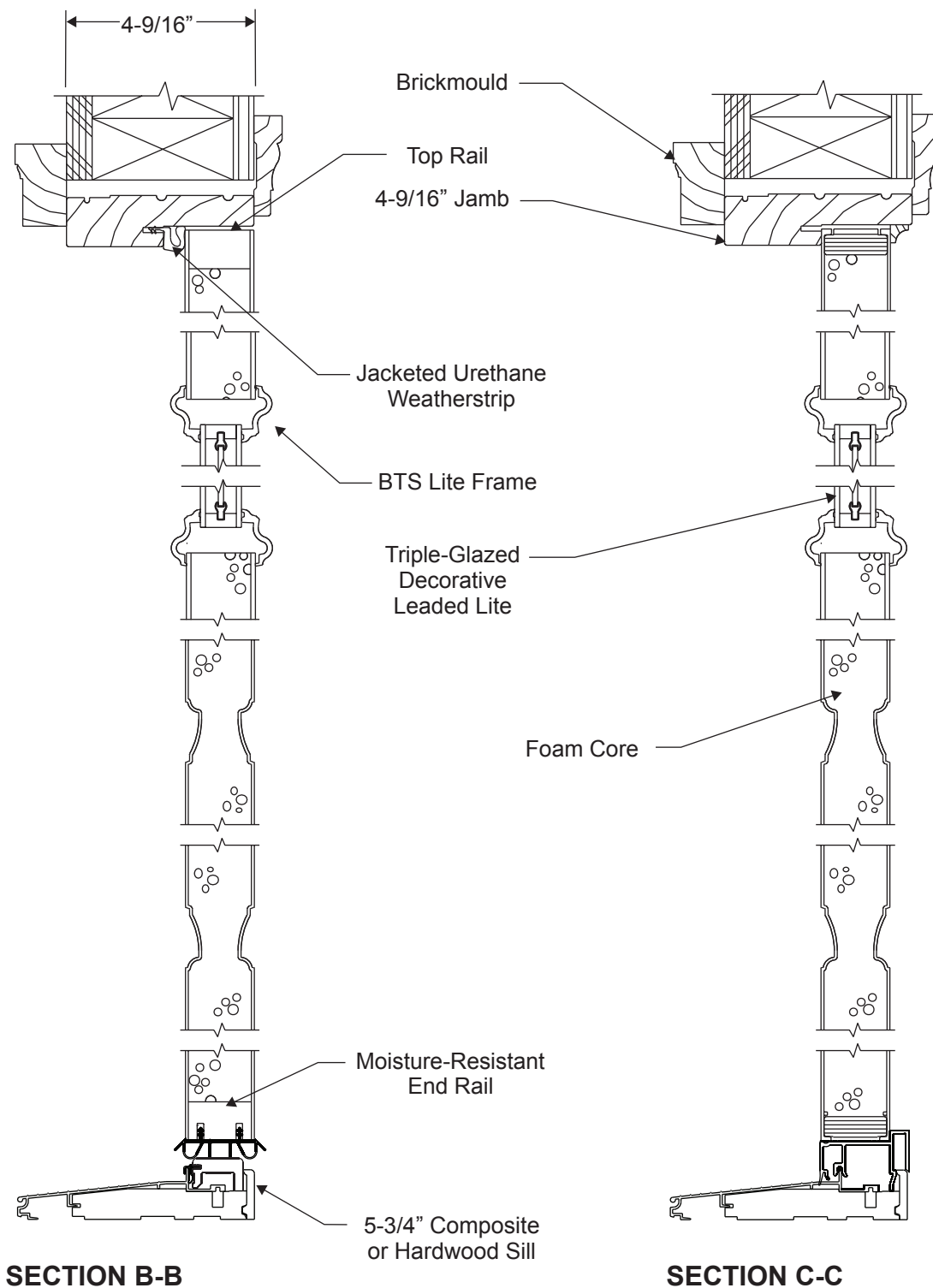
Architectural  
Details



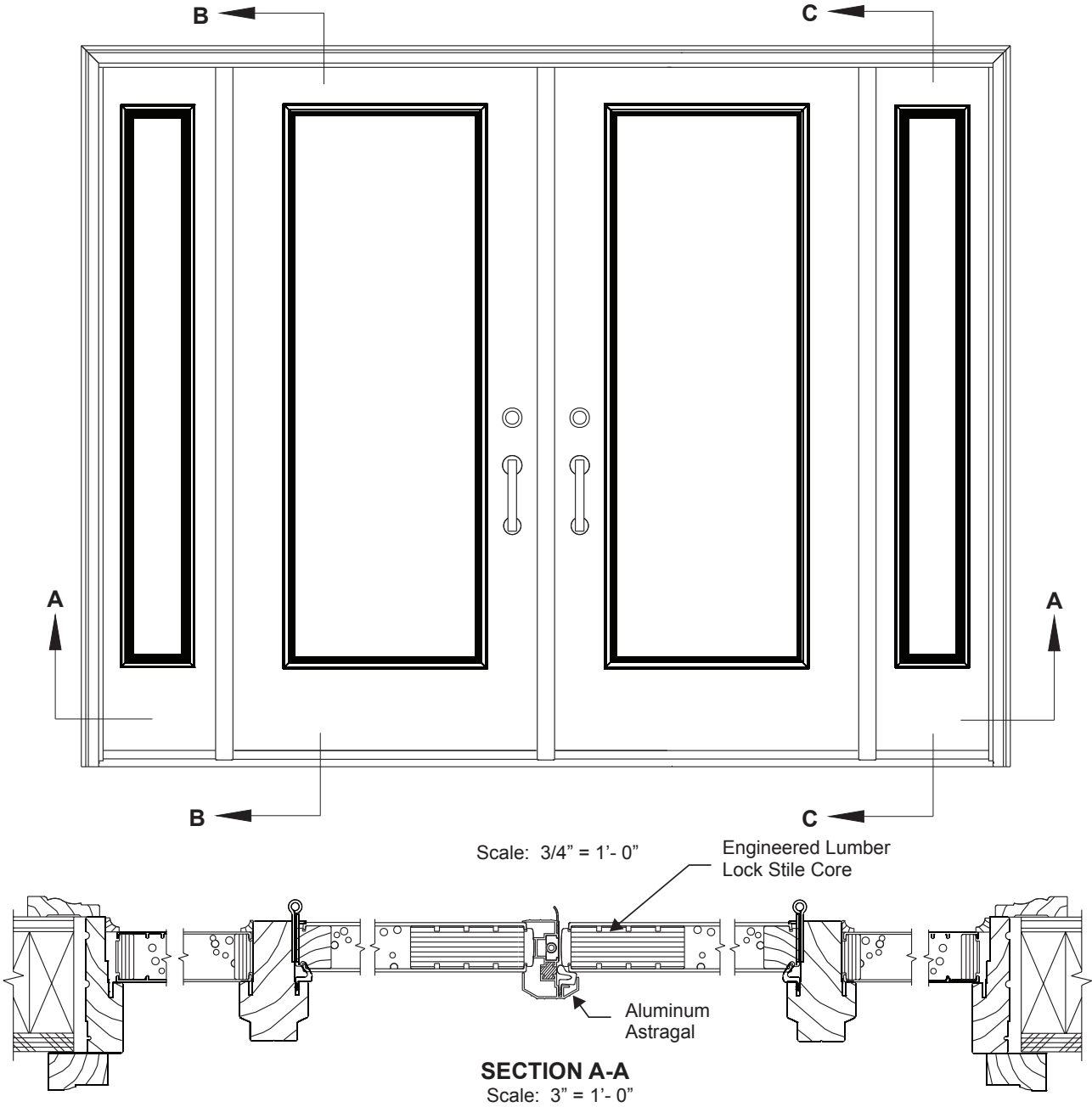
**SECTION A-A**  
Spread 0"



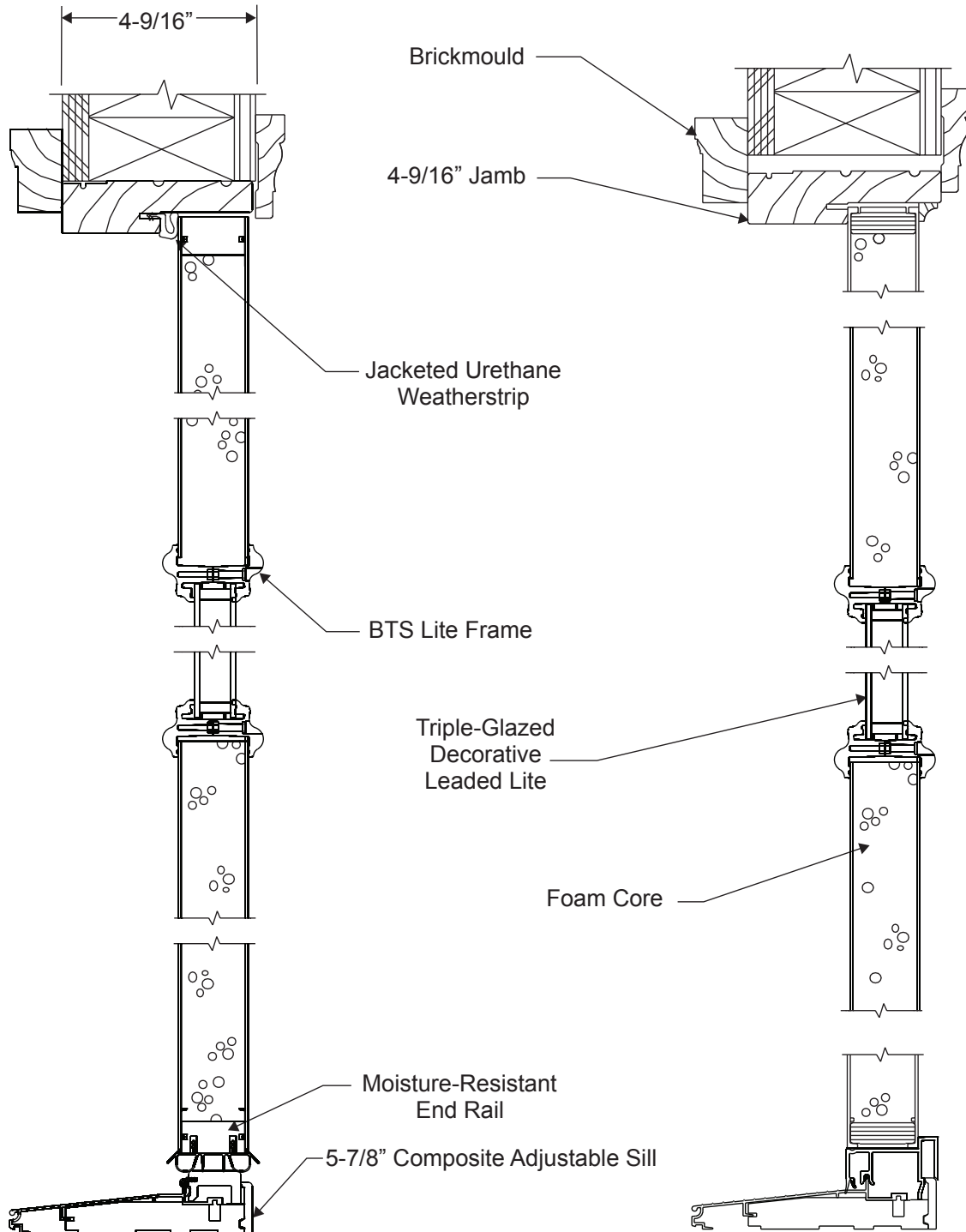
**SECTION A-A**  
Spread 3/4"



## French Continuous, Inswing





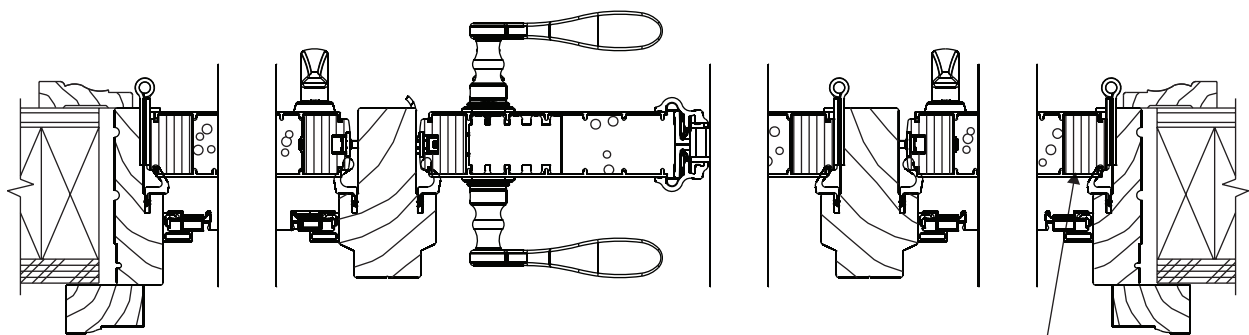
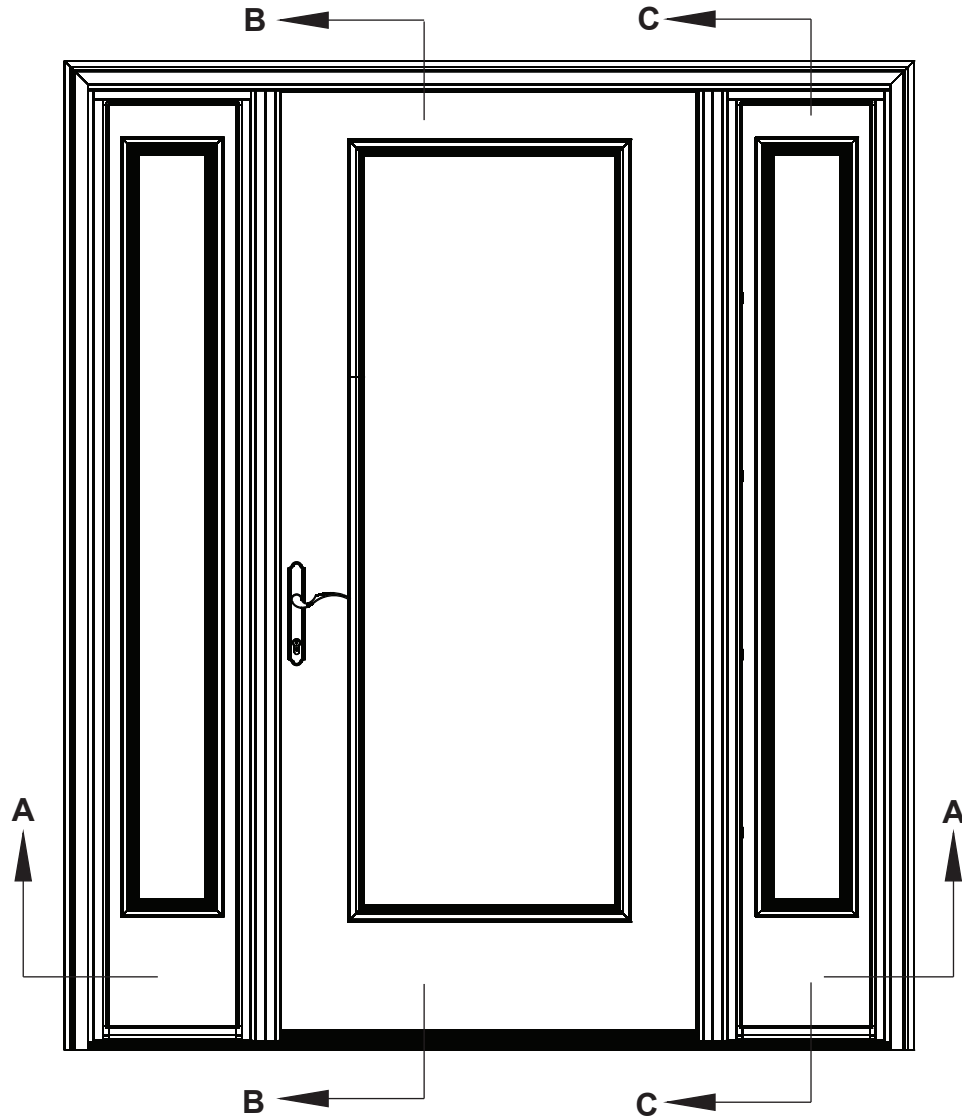


**SECTION B-B**  
Scale: 3" = 1'-0"

**SECTION C-C**  
Scale: 3" = 1'-0"

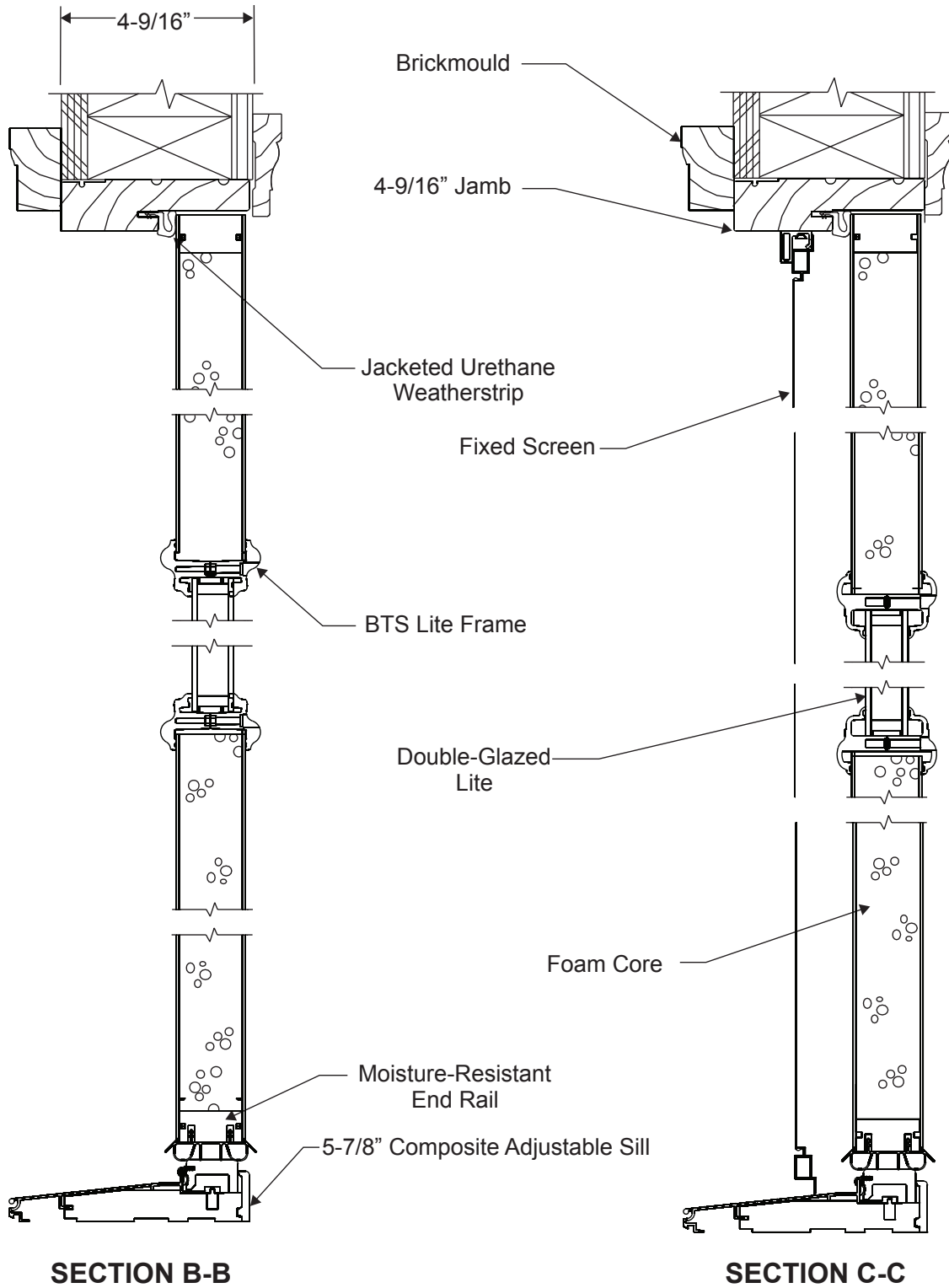
Architectural  
Details

Door with Vented Sidelites, Continuous Frame, with Casing

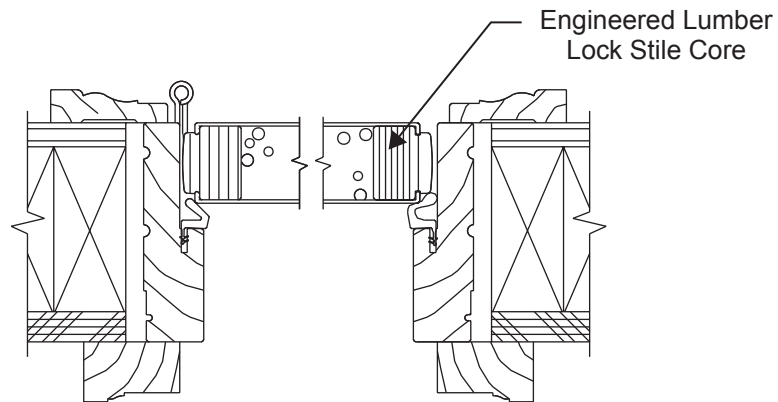
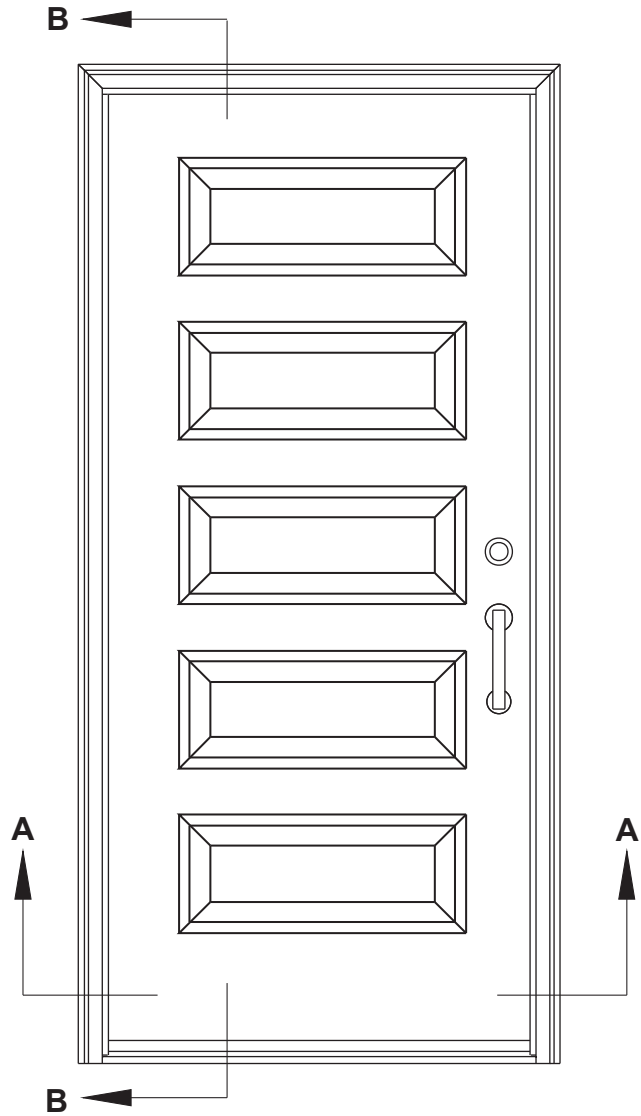


**SECTION A-A**

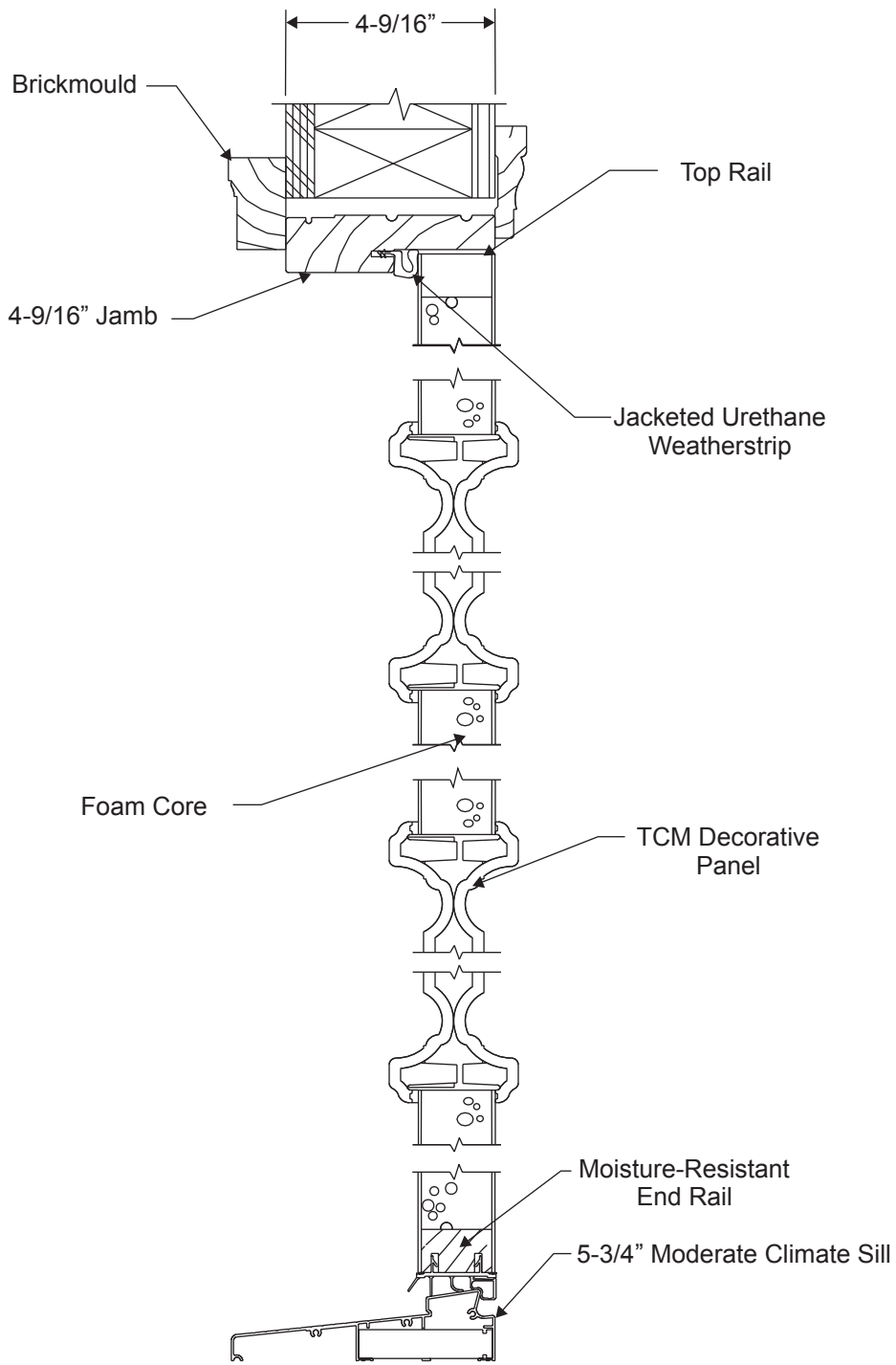
Engineered  
Lumber  
Lock Stile  
Core



## Single Door, Inswing



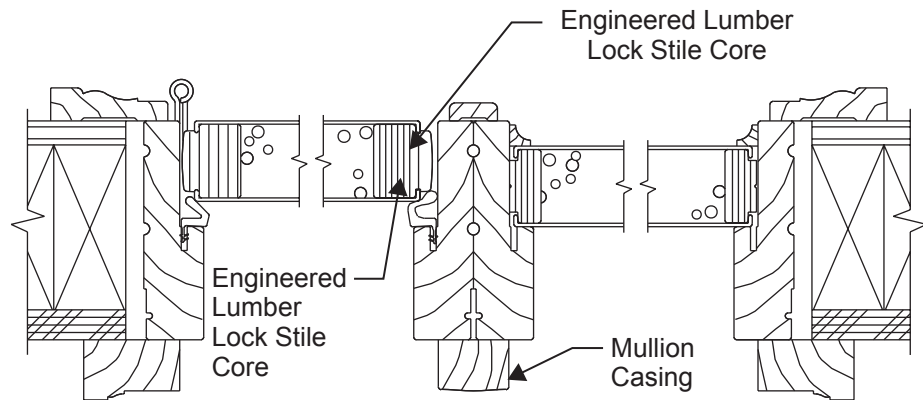
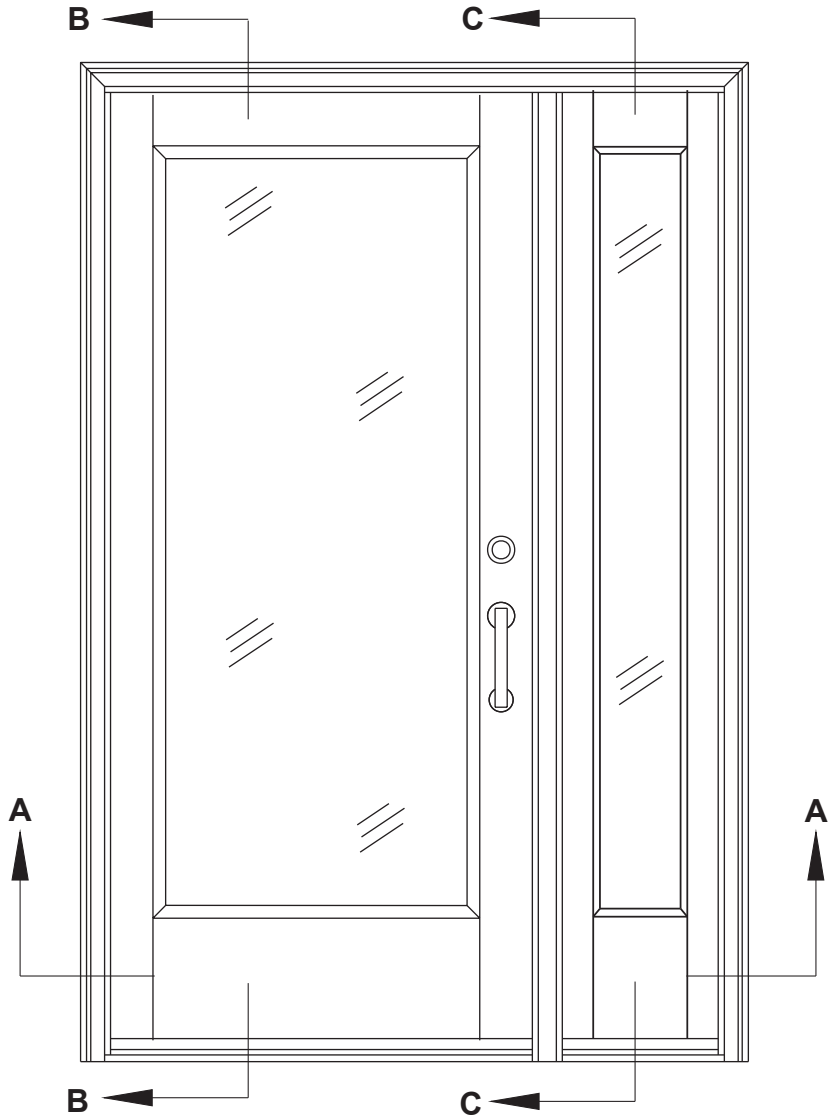
**SECTION A-A**



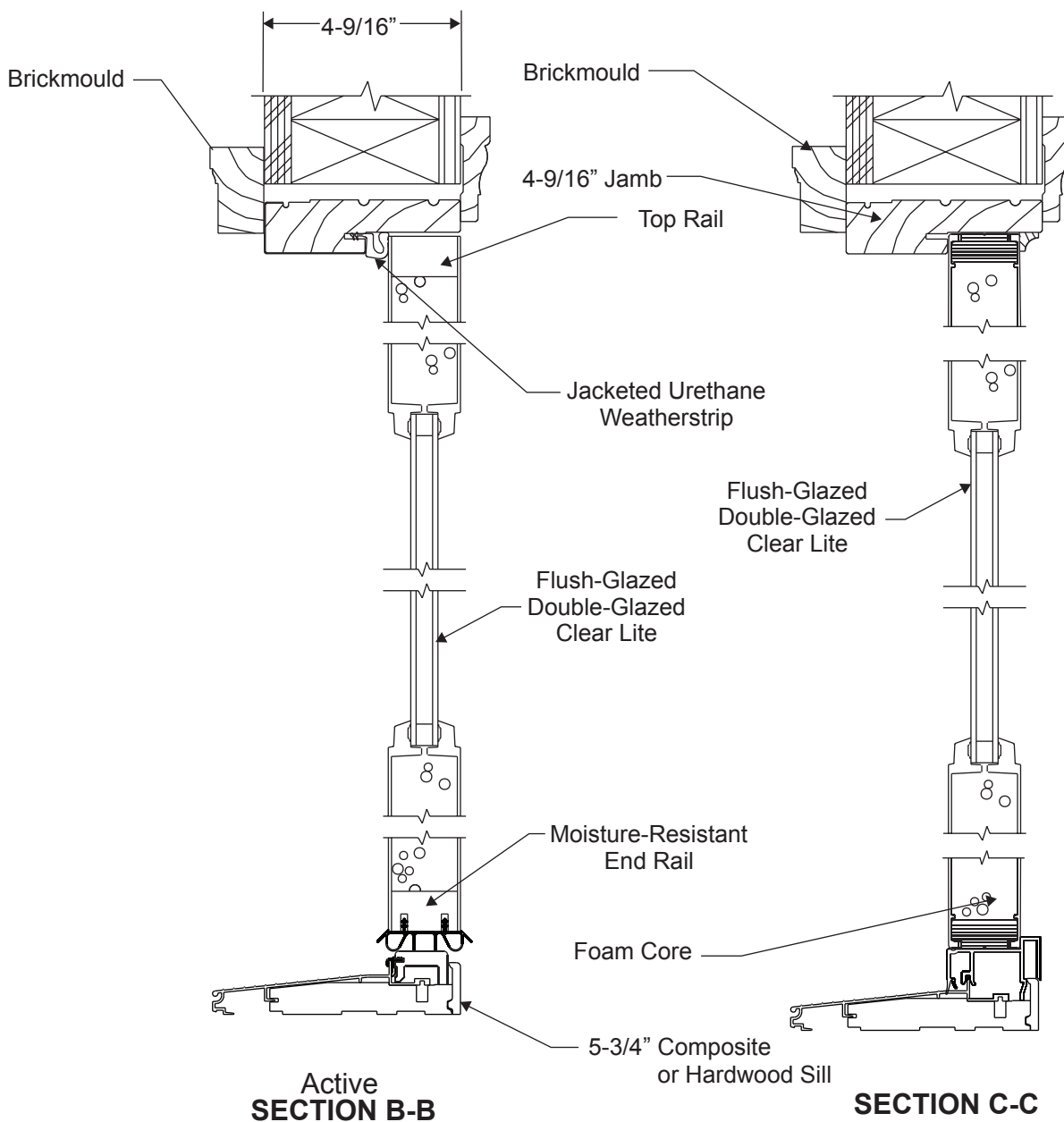
**SECTION B-B**

Architectural  
Details

## Door/Sidelite with Boxed Frames, Joined, with Casing

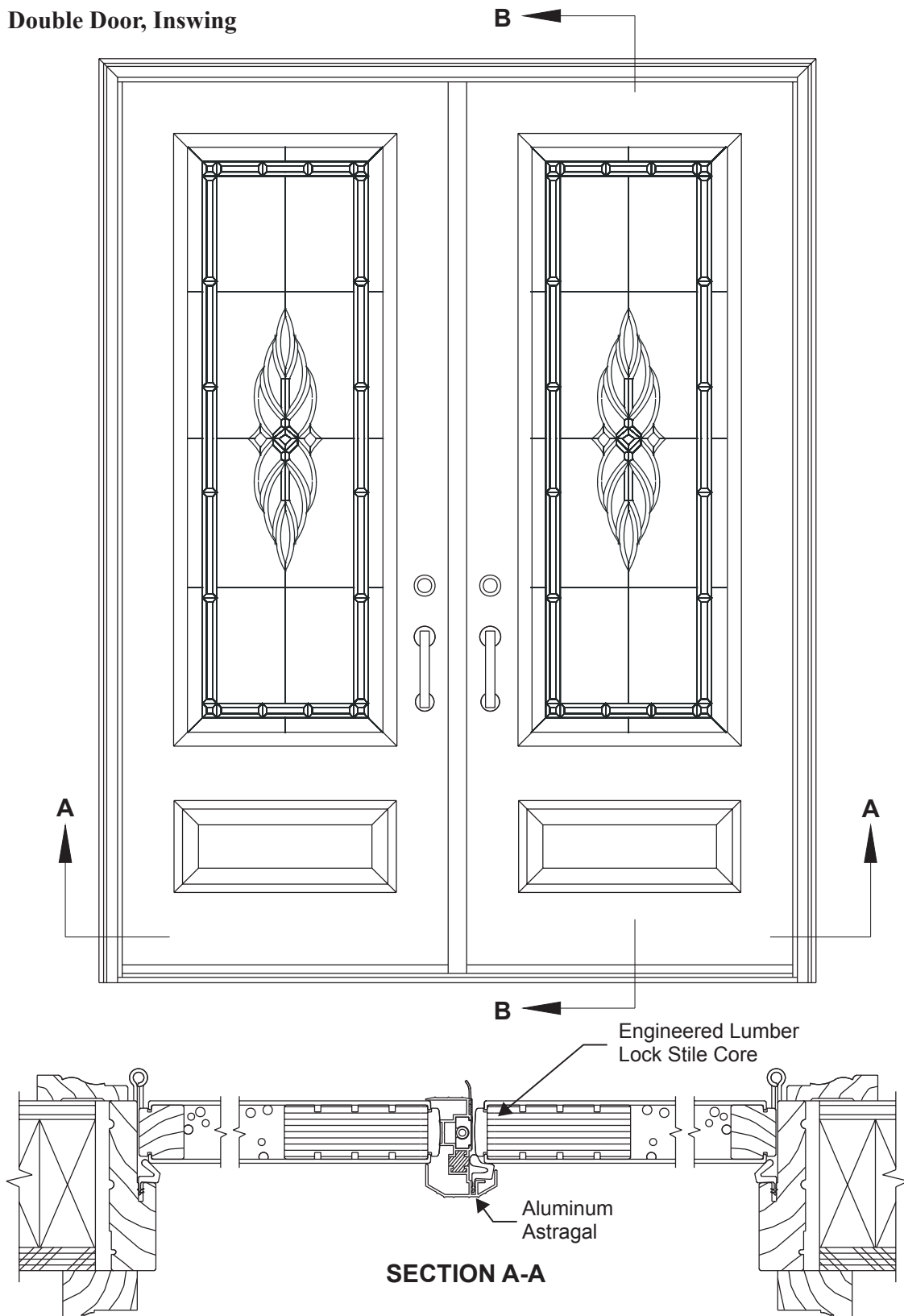


**SECTION A-A**

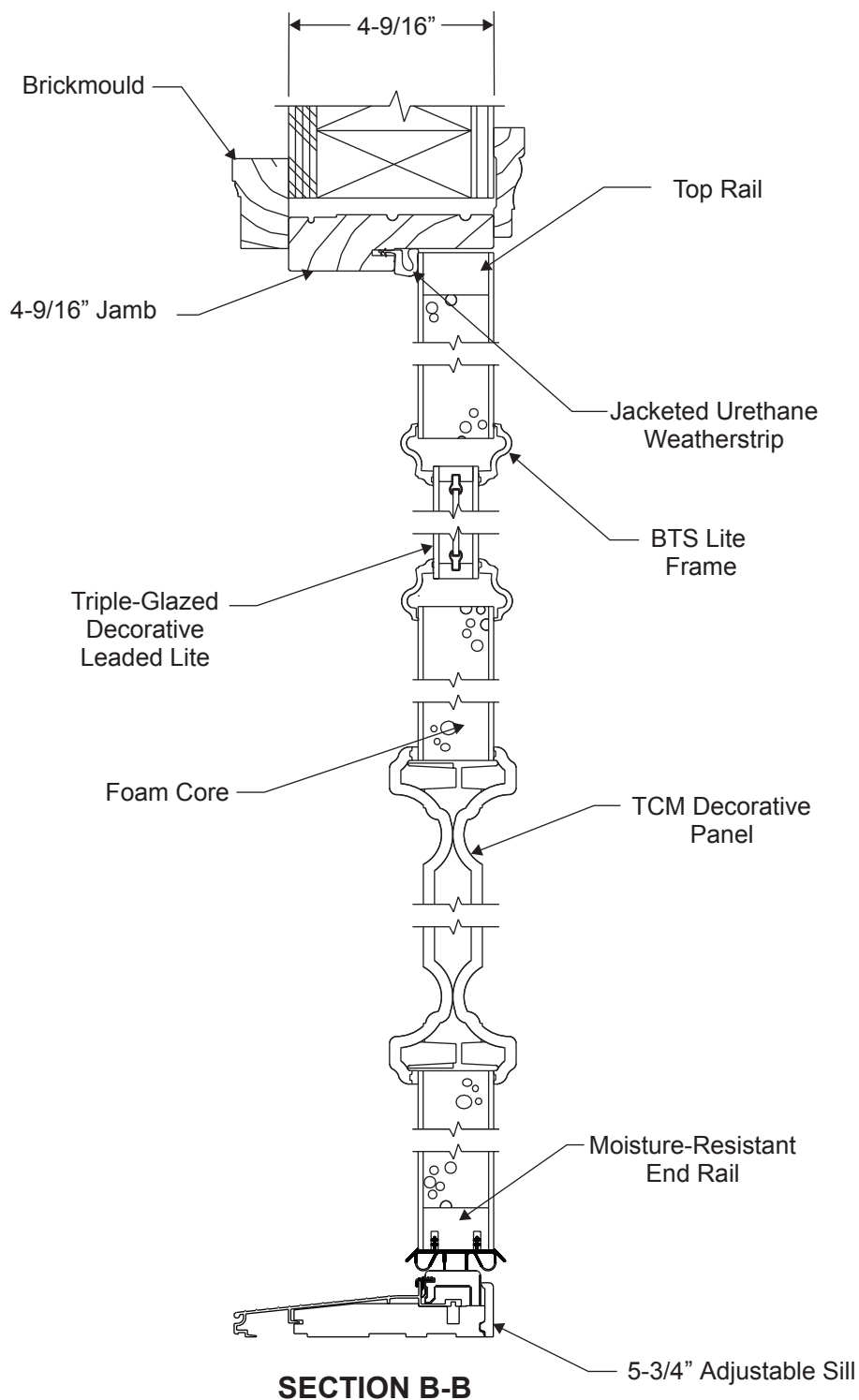


Architectural  
Details

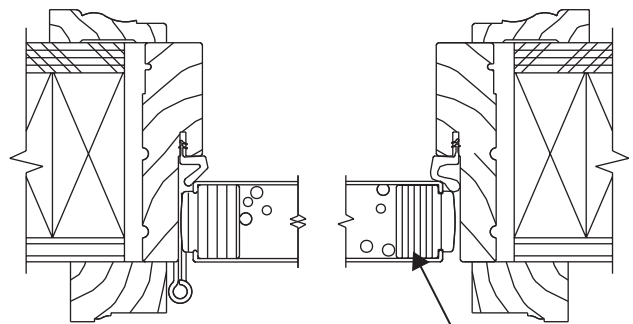
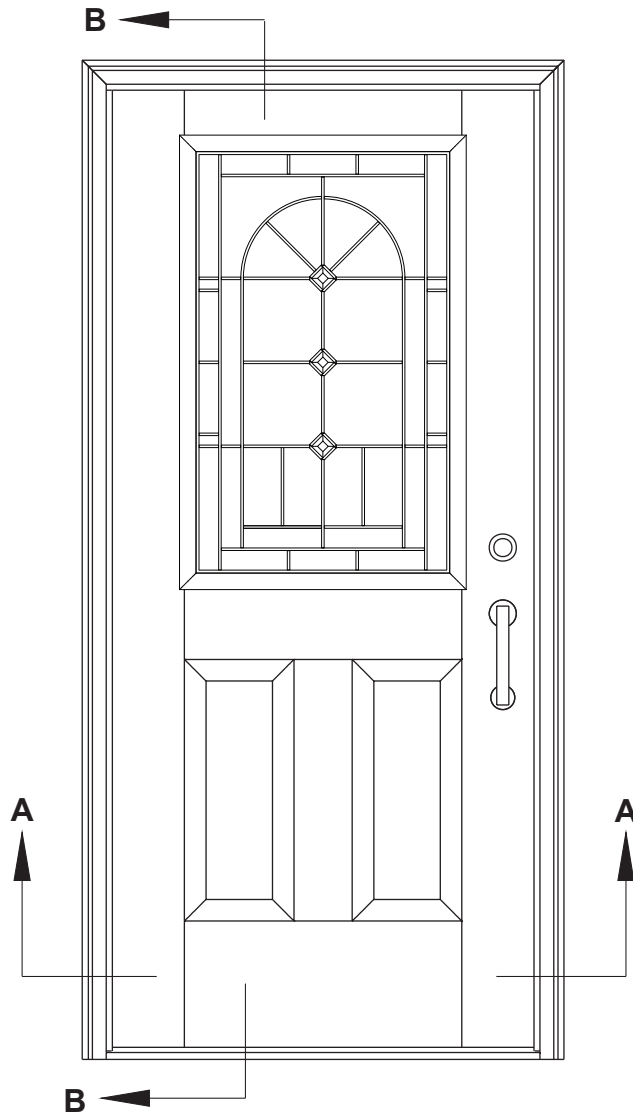
### Double Door, Inswing



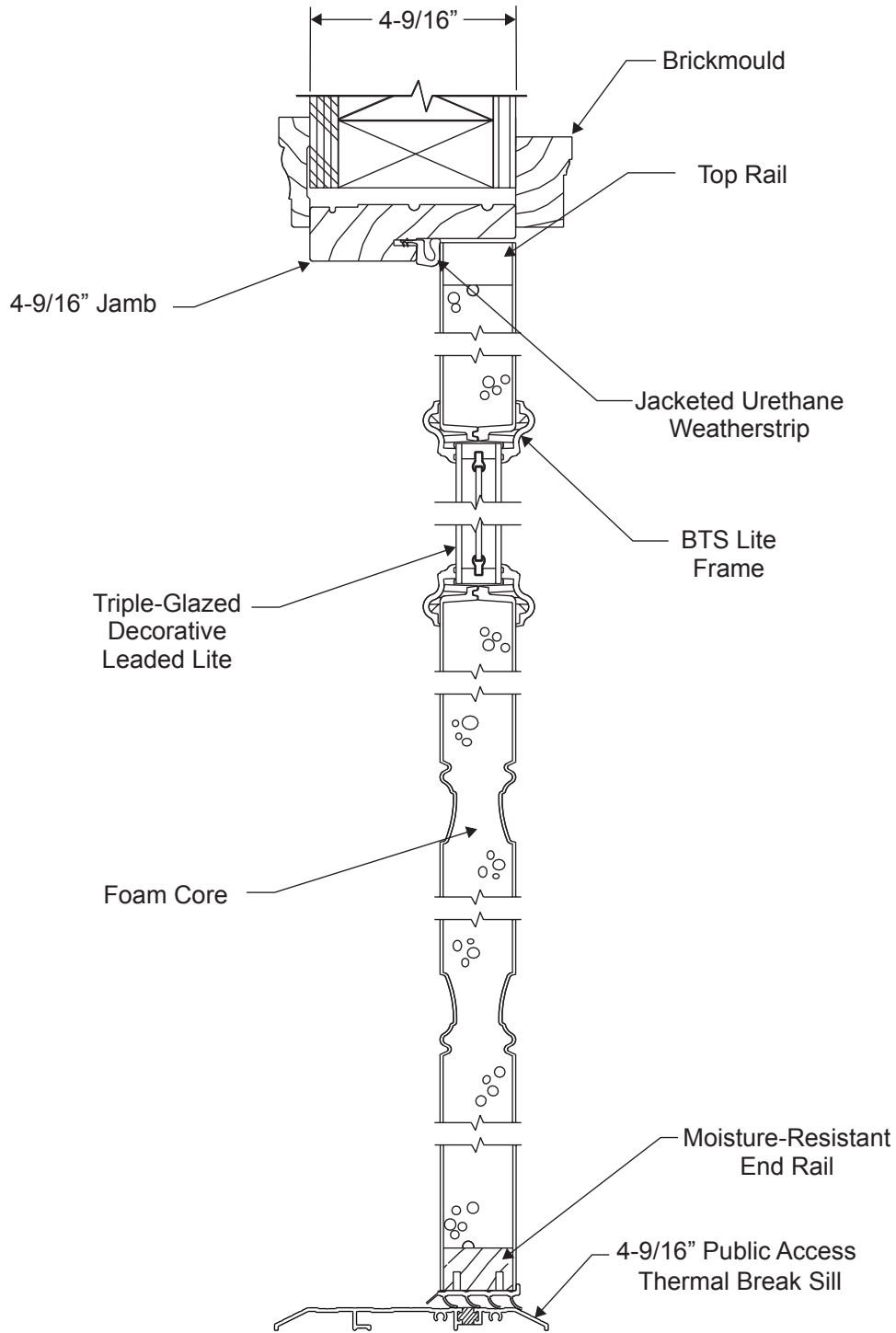




## Single Door, Outswing

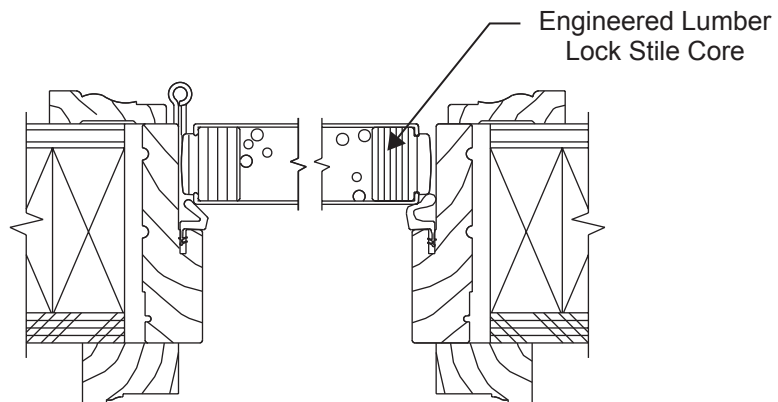
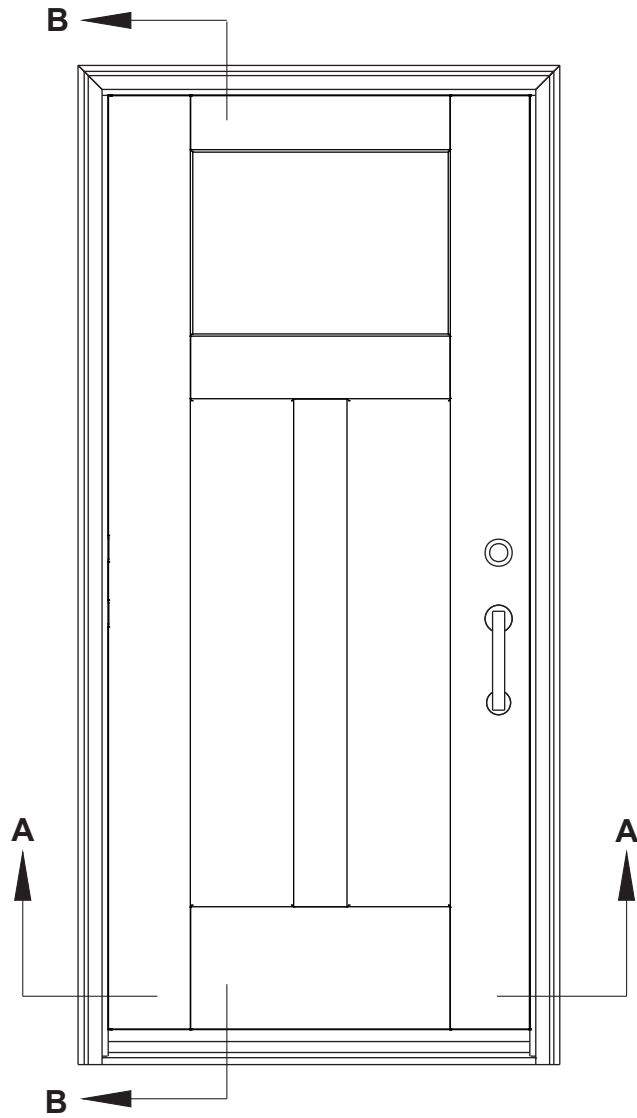


**SECTION A-A** — Engineered Lumber Lock Stile Core

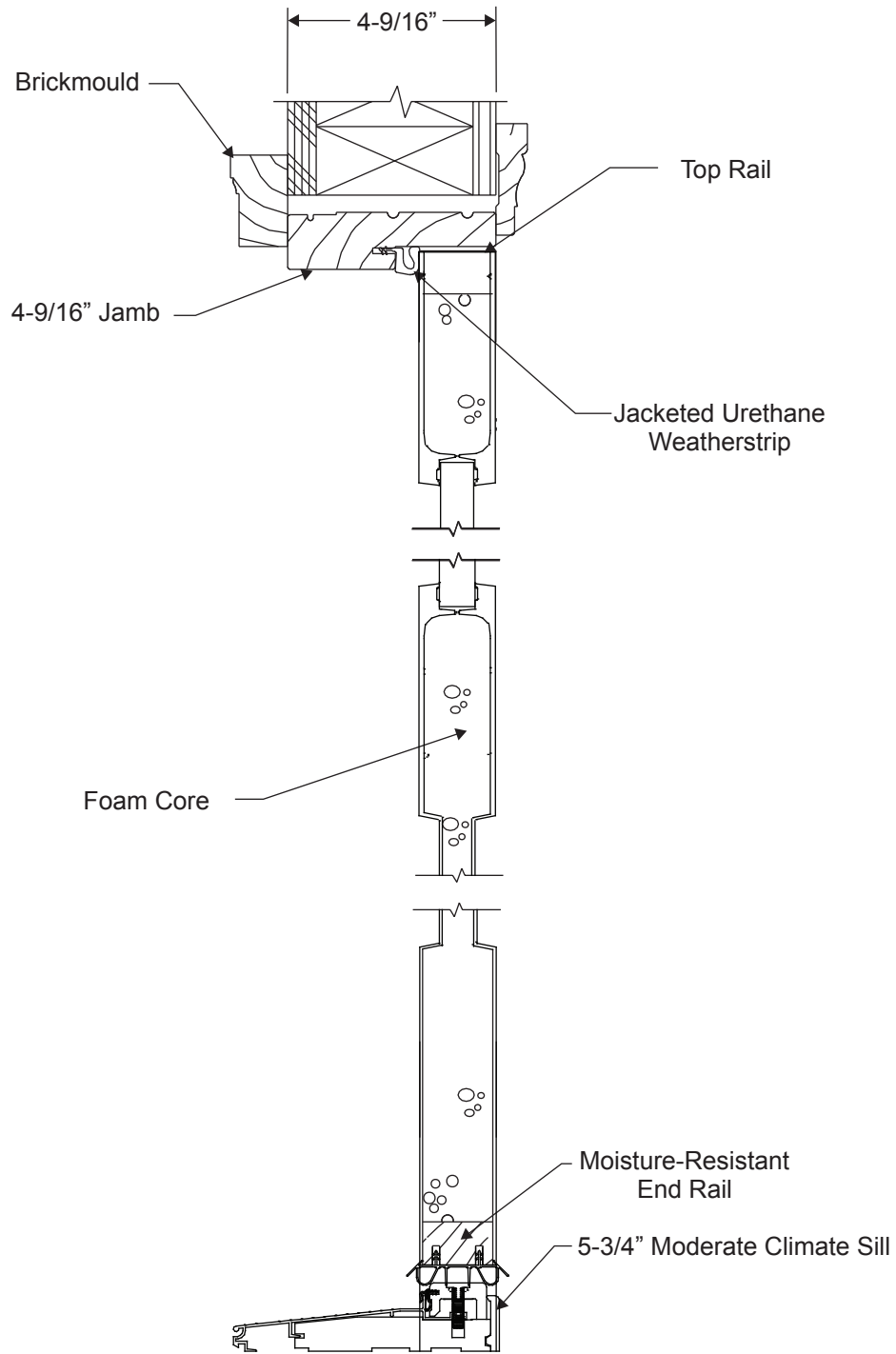


**SECTION B-B**

## Single Door, Inswing



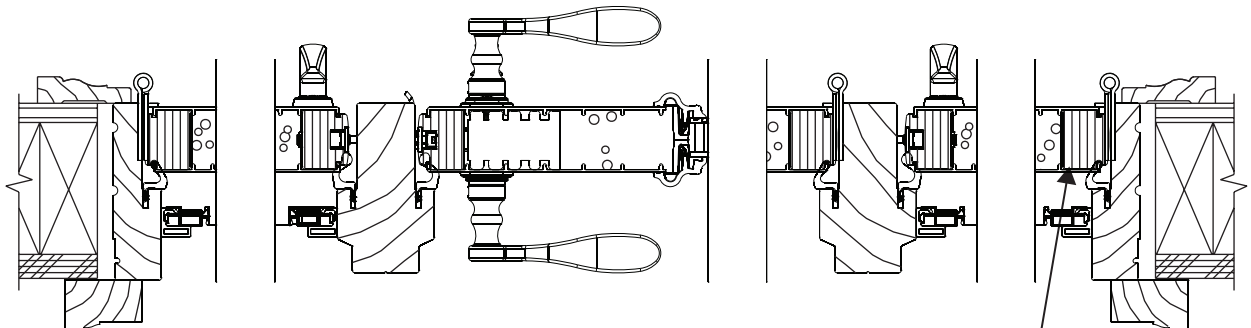
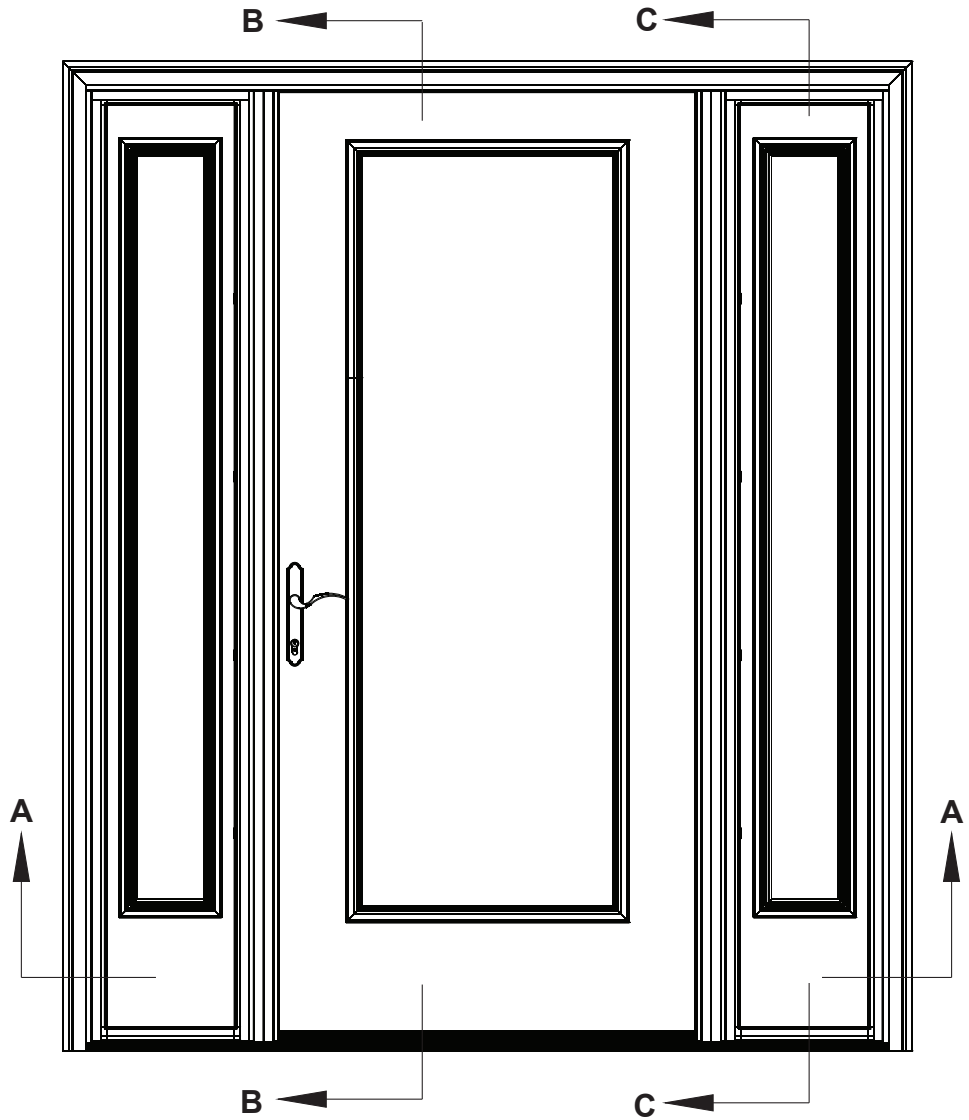
SECTION A-A



**SECTION B-B**

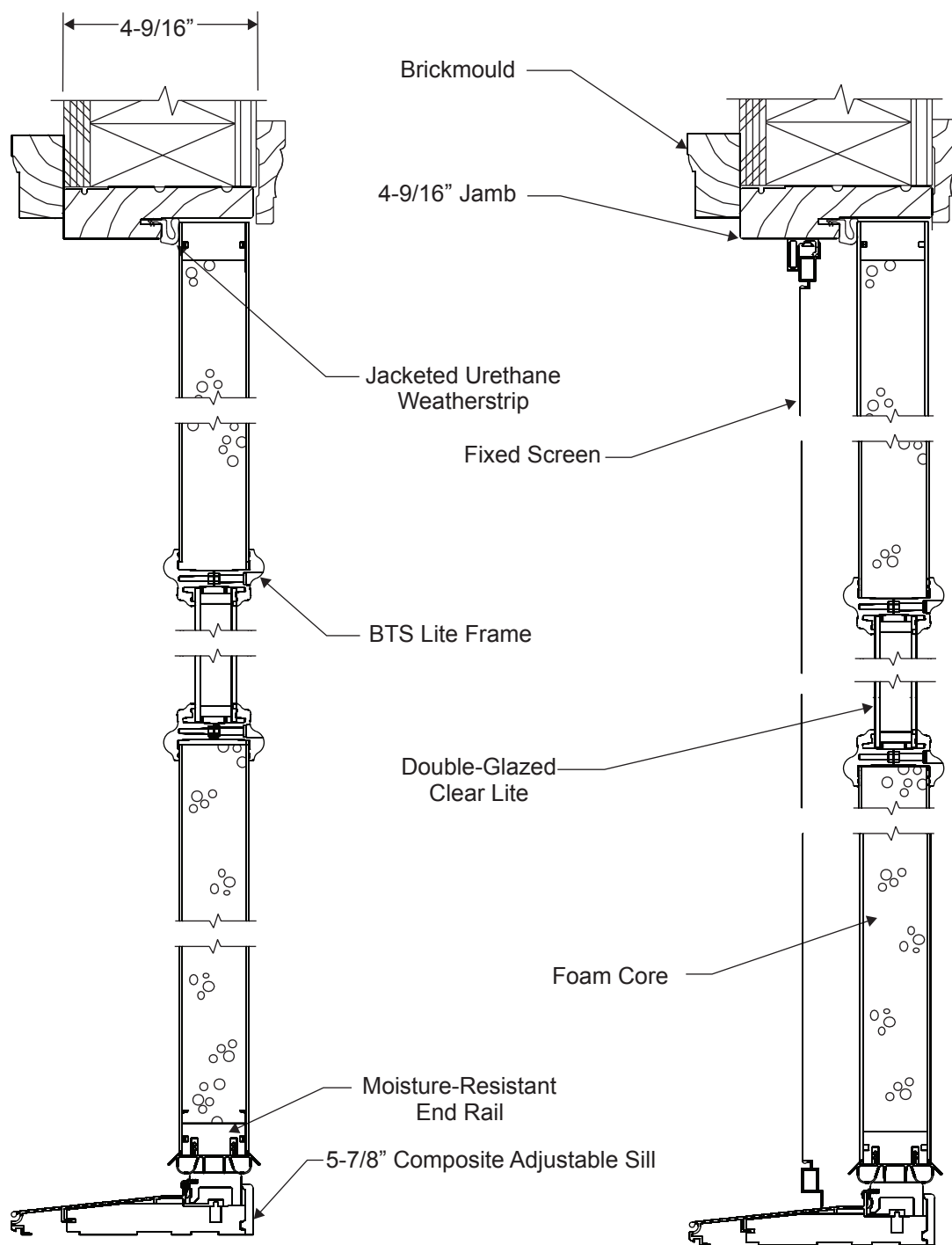
Architectural  
Details

Door with Vented Sidelites, Continuous Frame, with Casing



**SECTION A-A**

Engineered  
Lumber  
Lock Stile  
Core



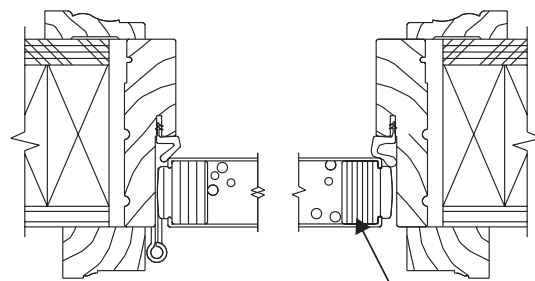
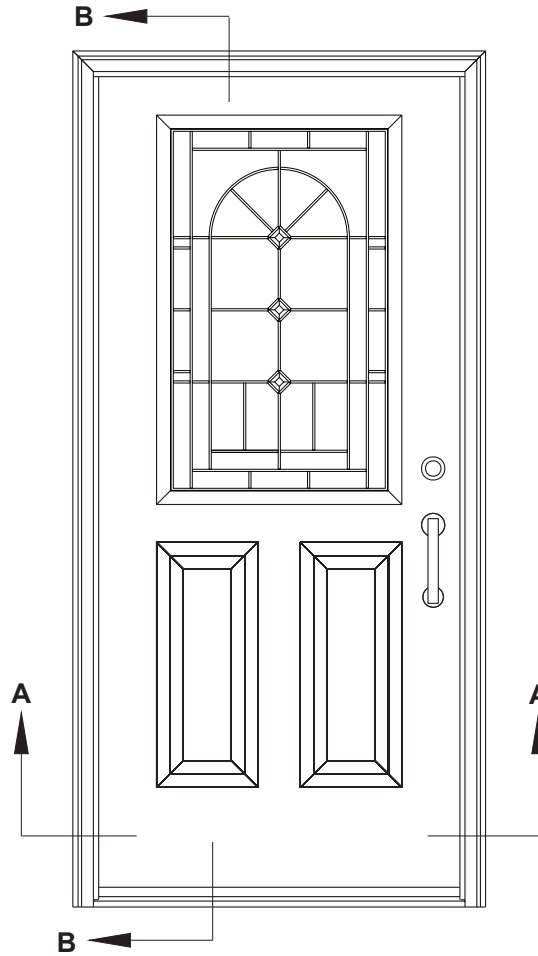
**SECTION B-B**

**SECTION C-C**

# Smooth-Star Raised Panel

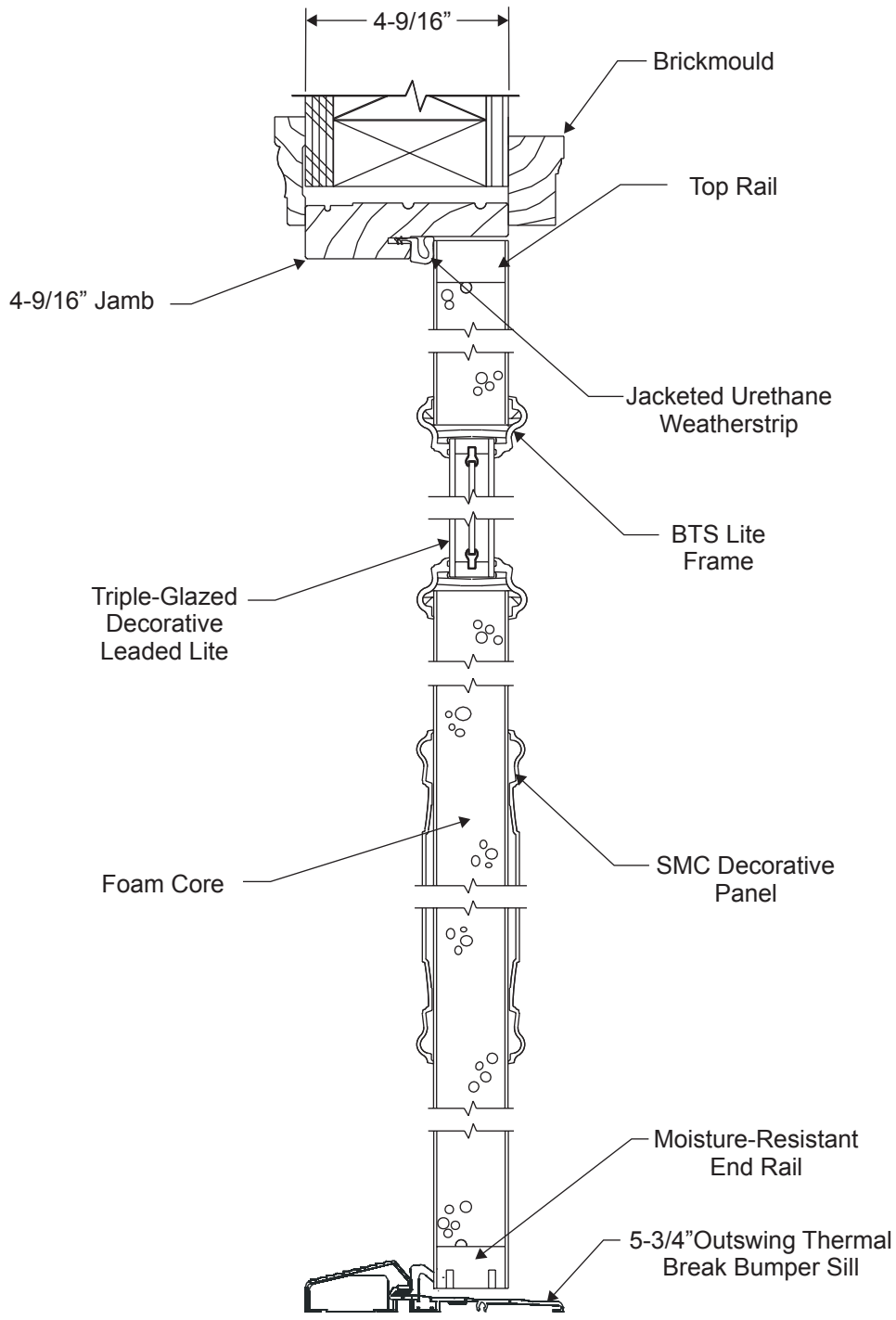
Architectural  
Details

Single Door, Outswing



**SECTION A-A** — Engineered Lumber Lock Stile Core



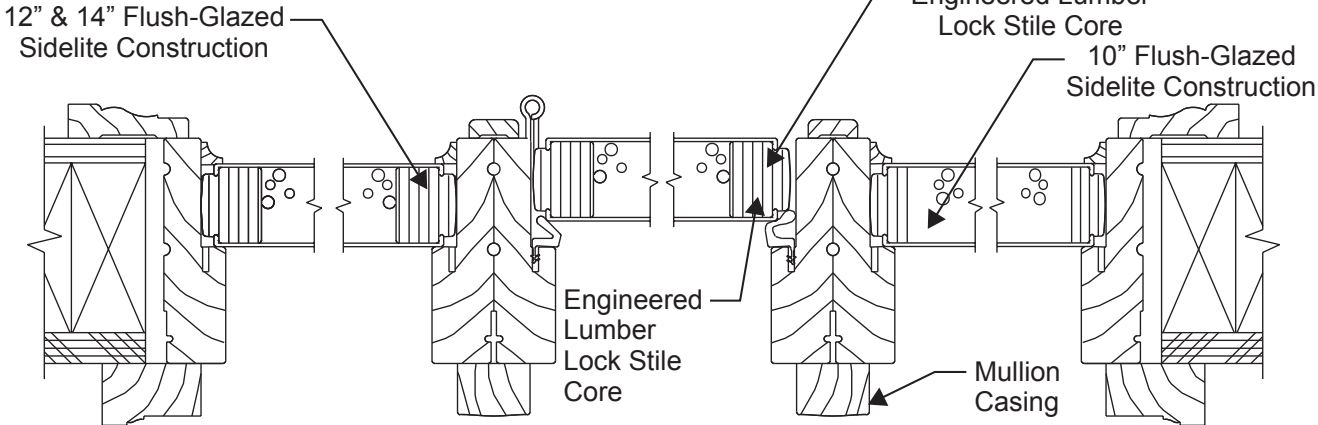
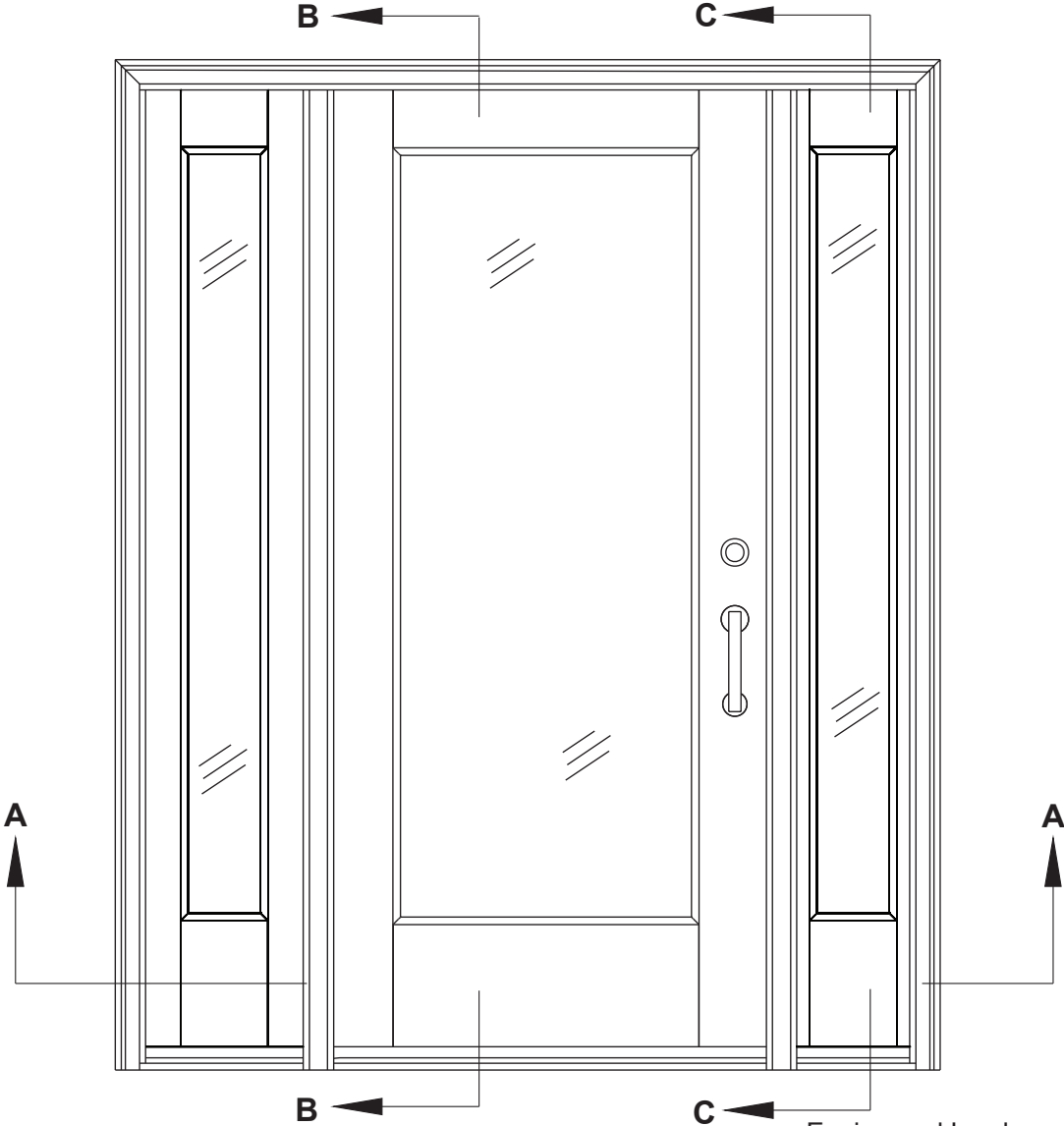


**SECTION B-B**

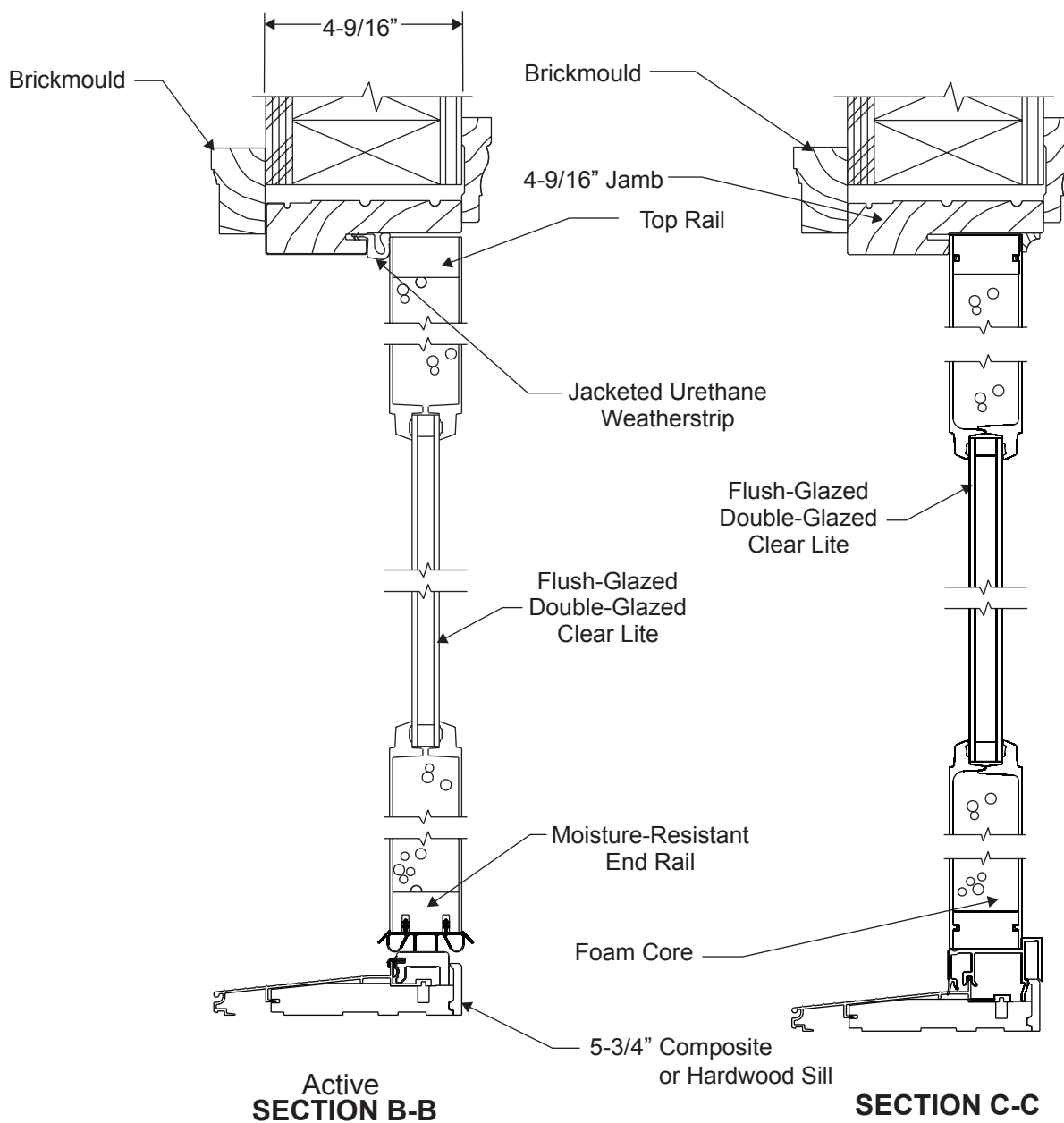
# Smooth-Star Flush-Glazed Door

Architectural  
Details

Door with Sidelites, Boxed Frames and Joined with Casings



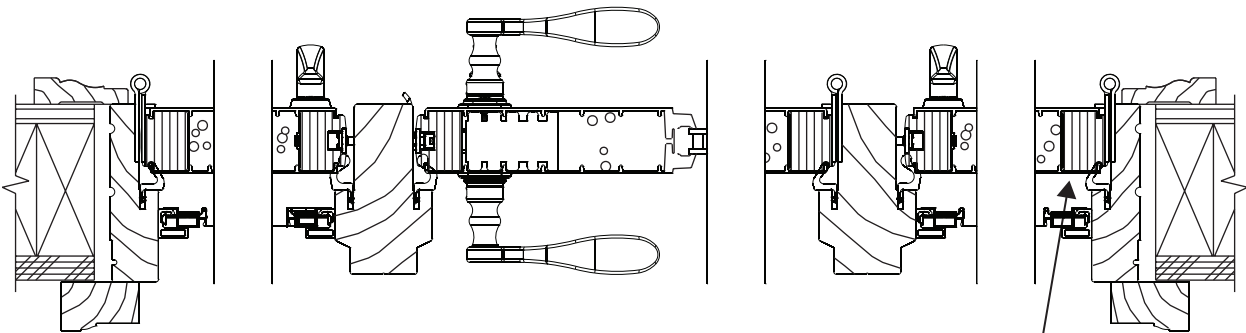
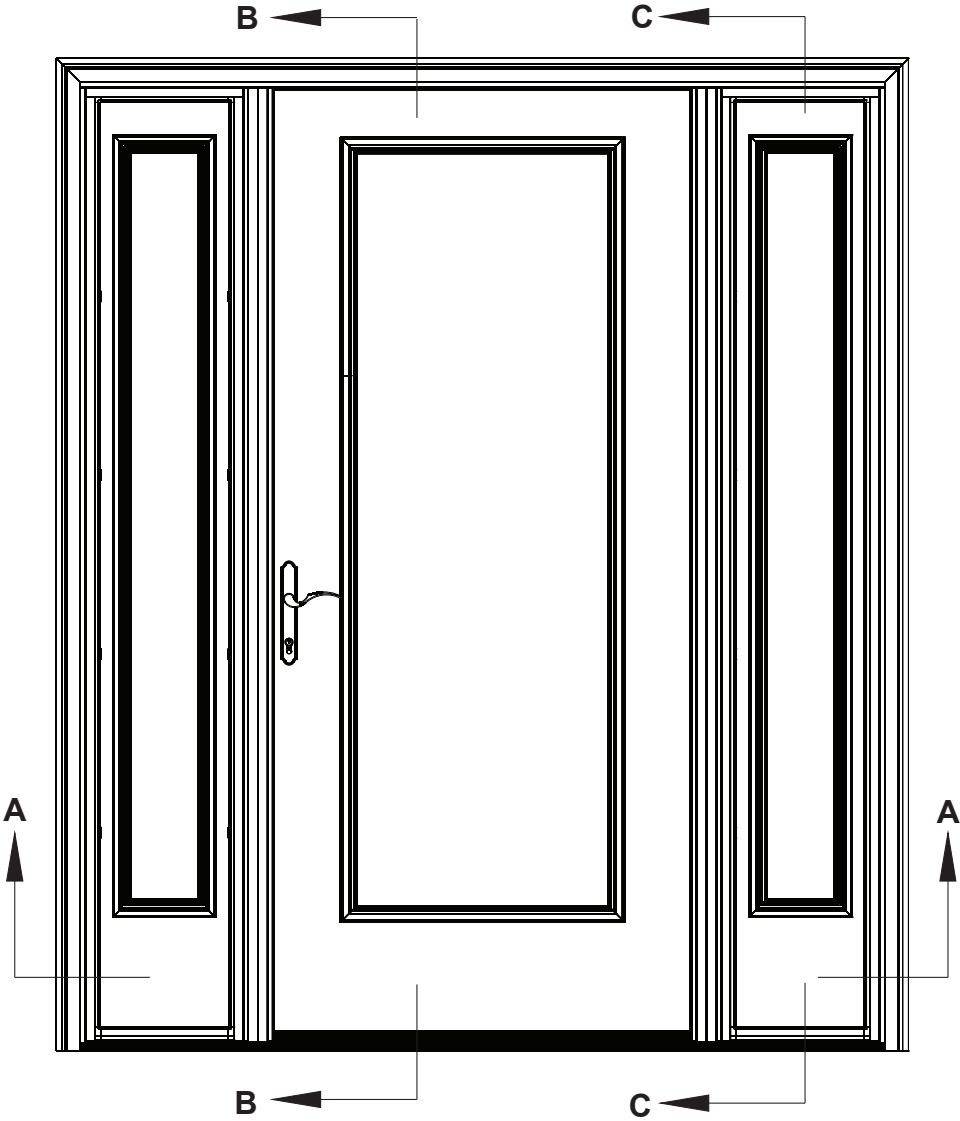
**SECTION A-A**



# Smooth-Star Flush-Glazed Door

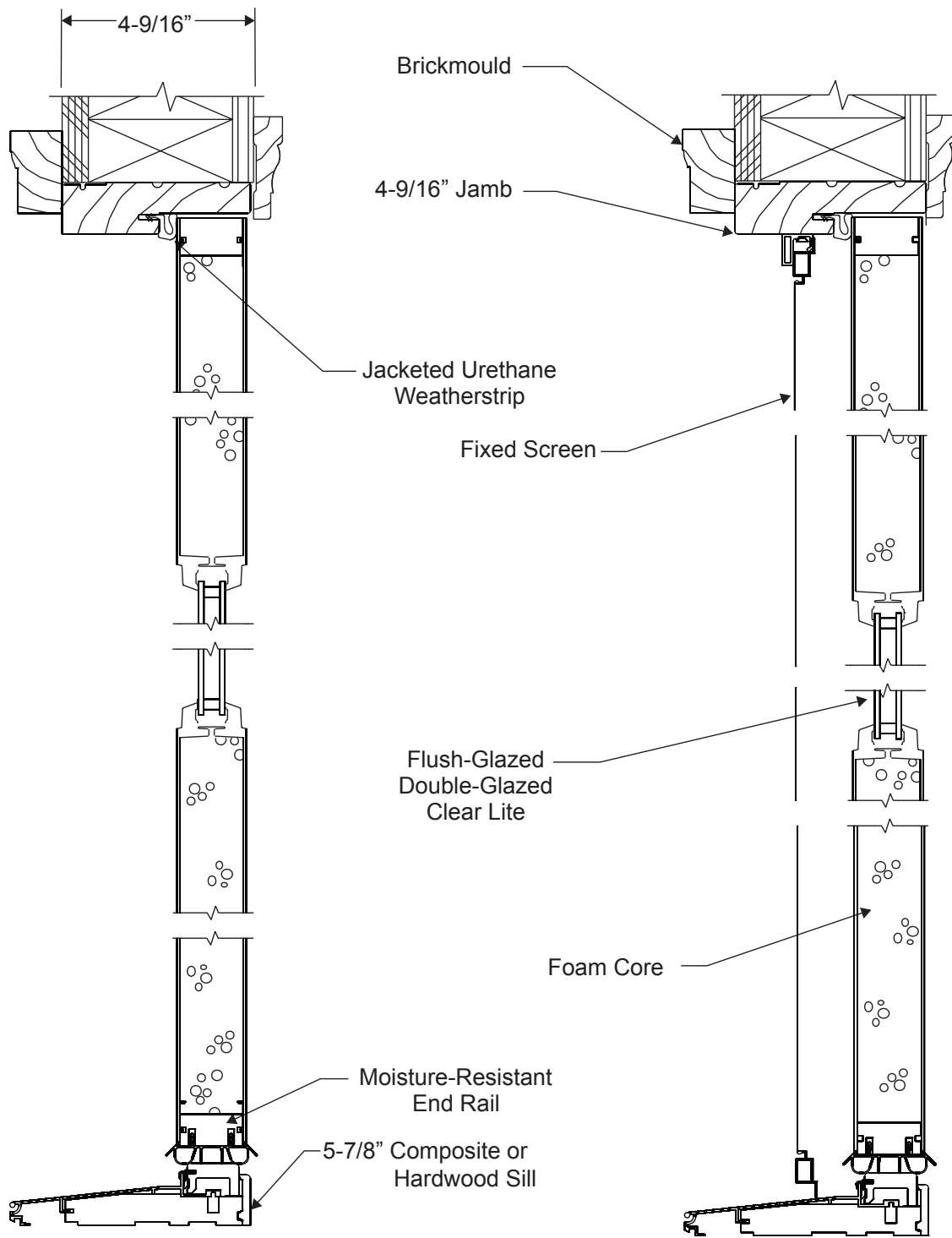
Architectural  
Details

Door with Vented Sidelites, Continuous Frame, with Casing



**SECTION A-A**

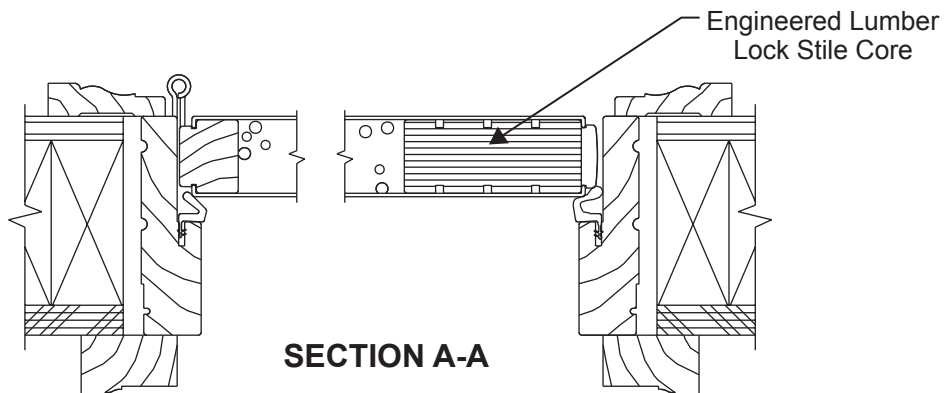
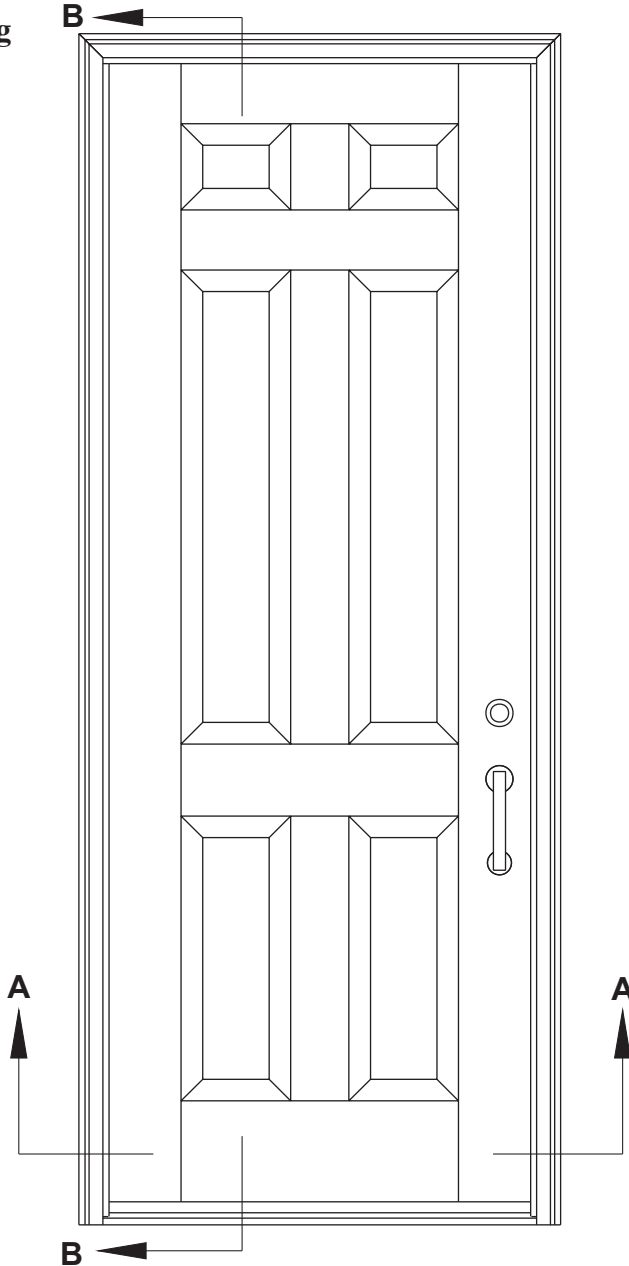
Engineered  
Lumber  
Lock Stile  
Core

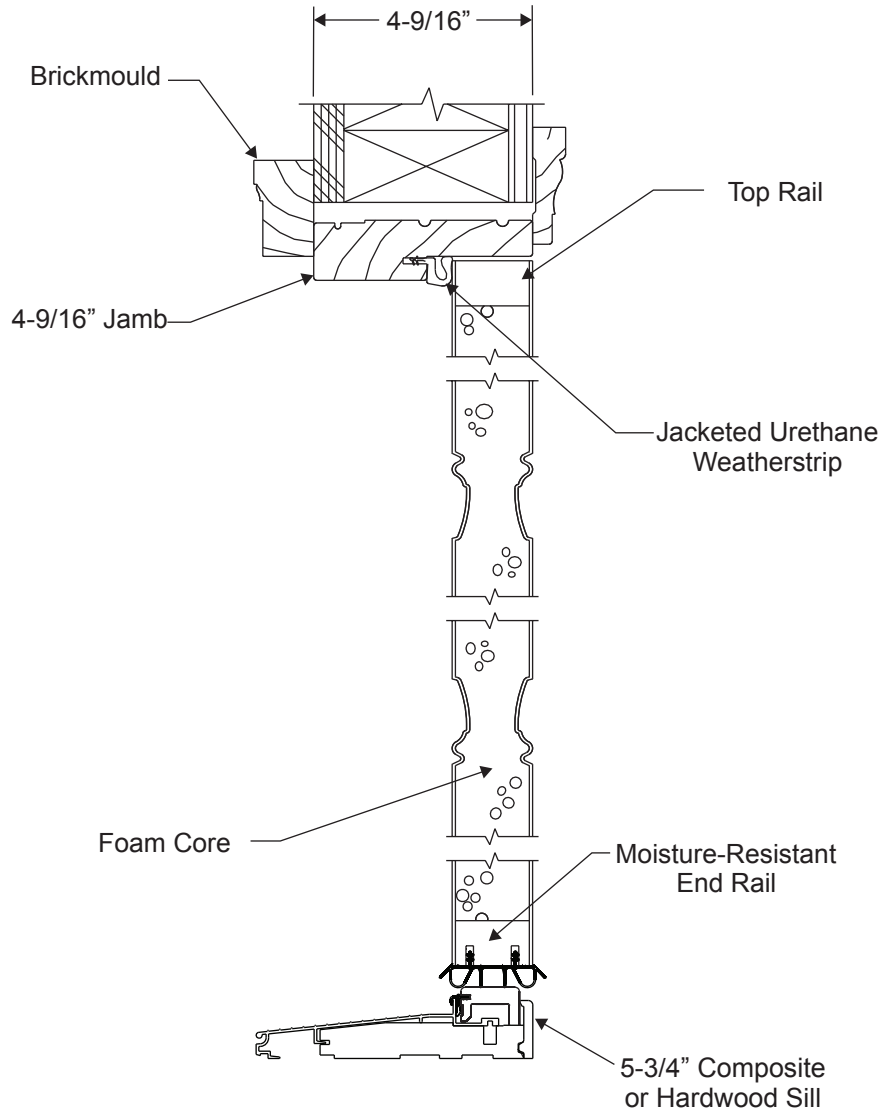


**SECTION B-B**

**SECTION C-C**

Single Door, Inswing



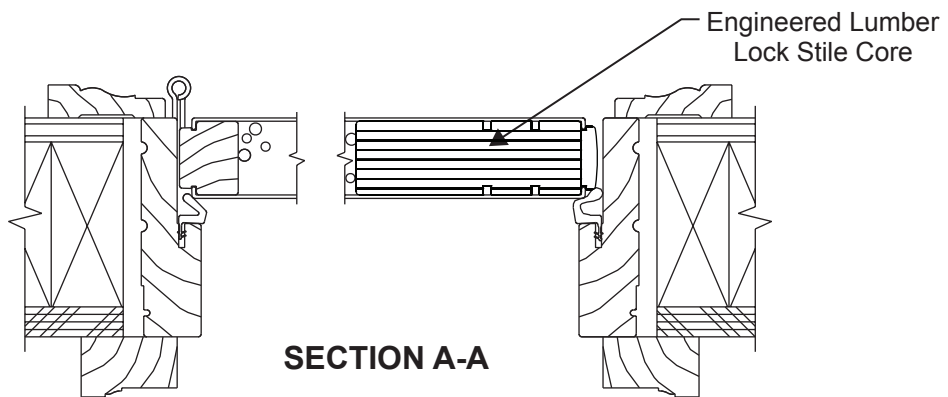
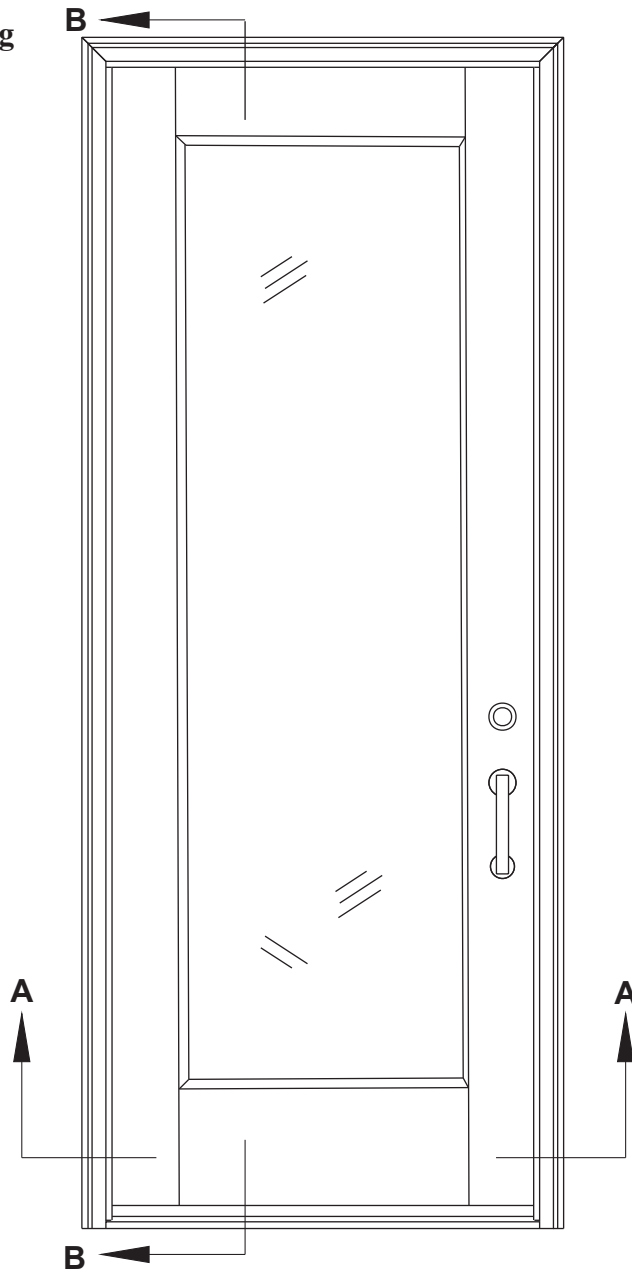


**SECTION B-B**

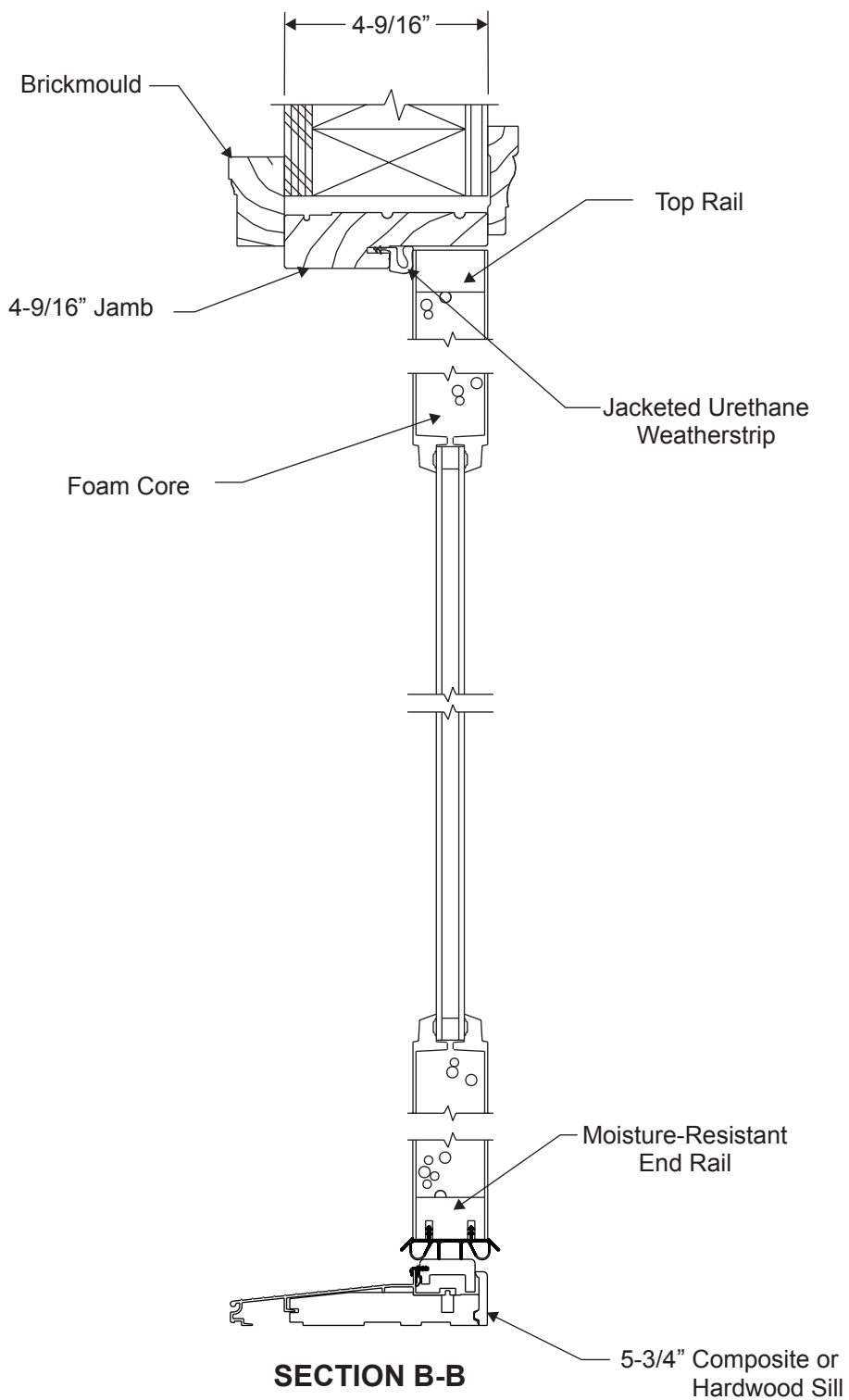
# Smooth-Star Flush-Glazed Door 8/0

Architectural  
Details

Single Door, Inswing



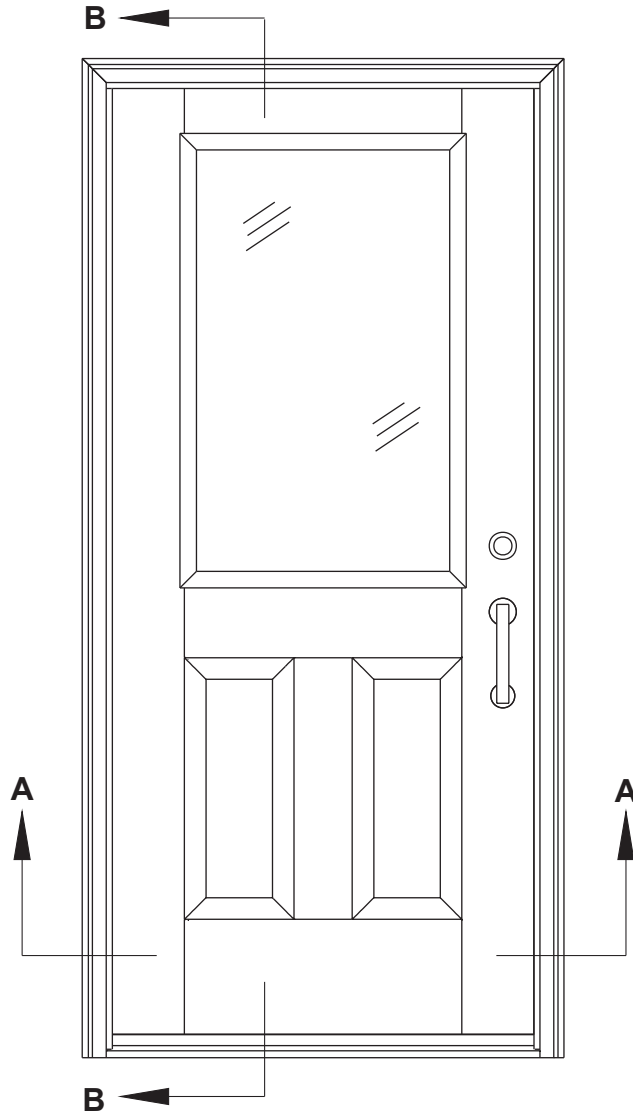




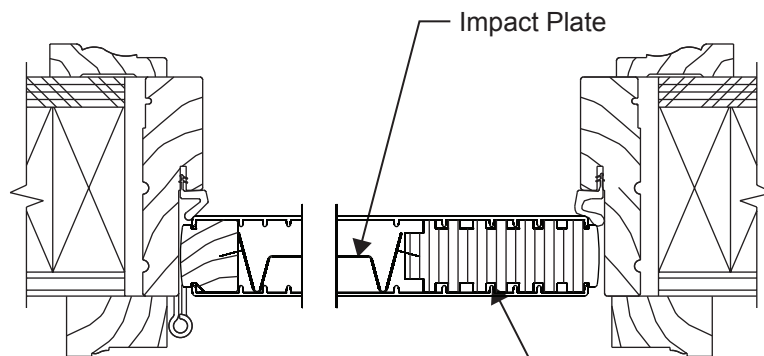
# Smooth-Star / Fiber-Classic Impact Door

Architectural  
Details

## Single Door, Outswing

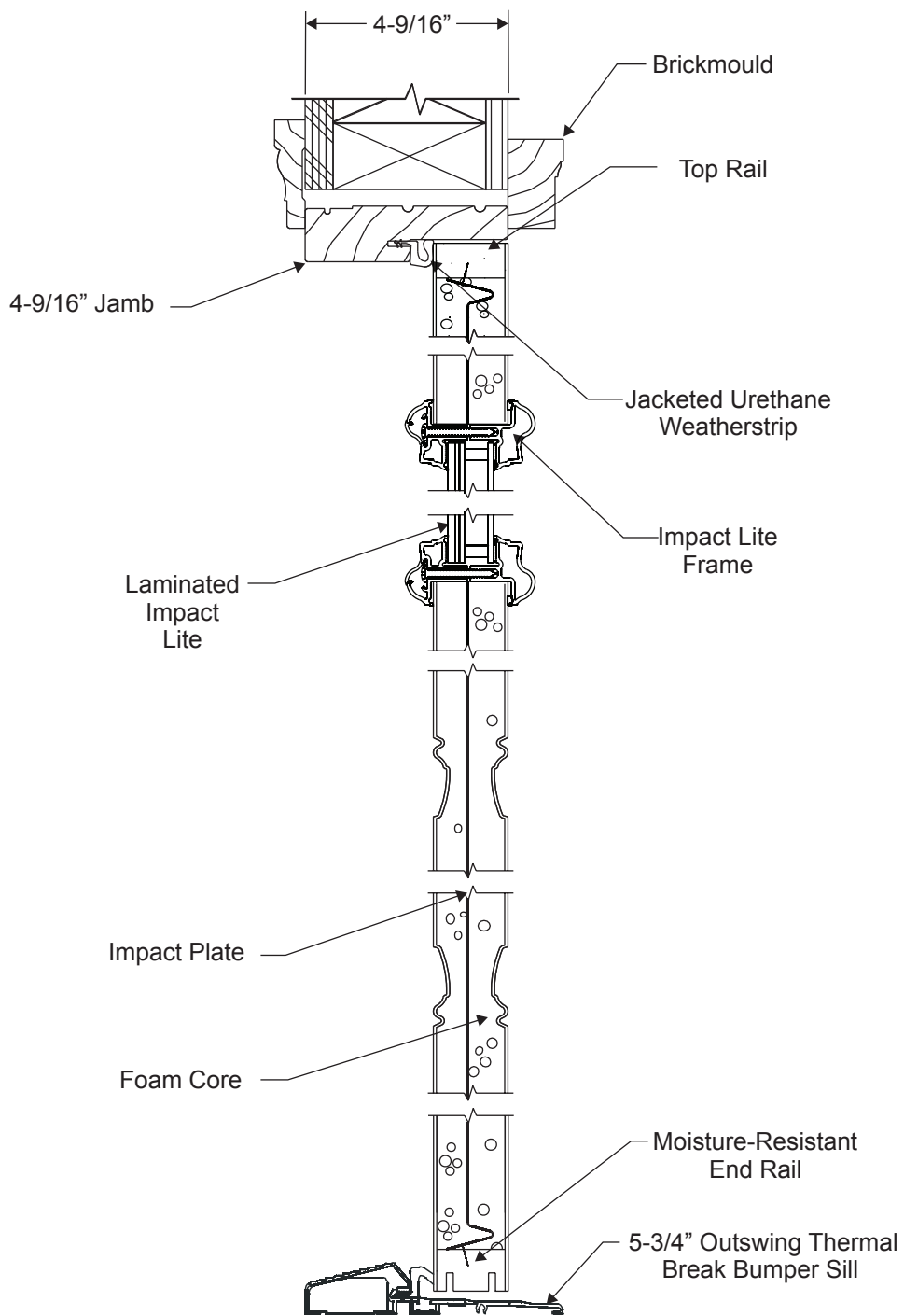


Scale: 3/4" = 1'- 0"



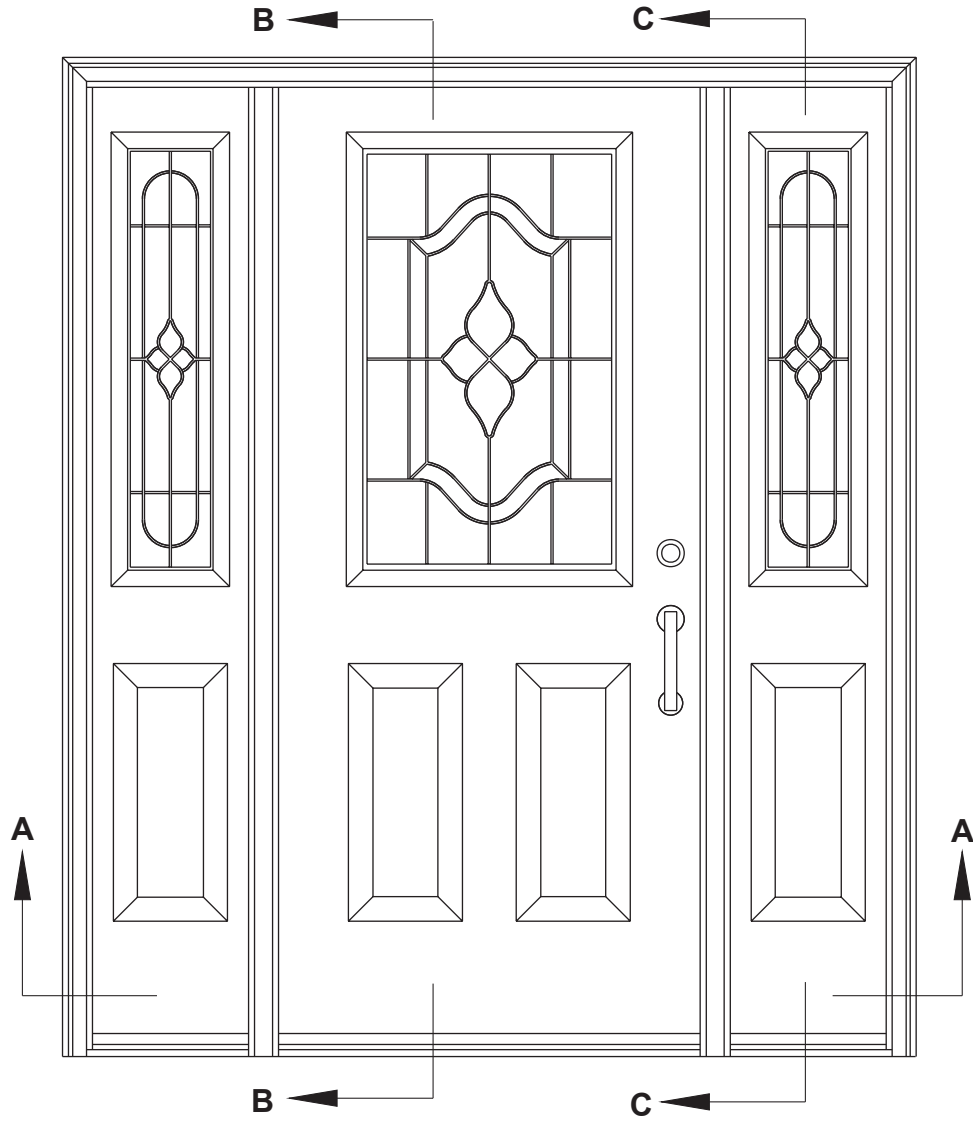
### SECTION A-A

Scale: 3" = 1'- 0"

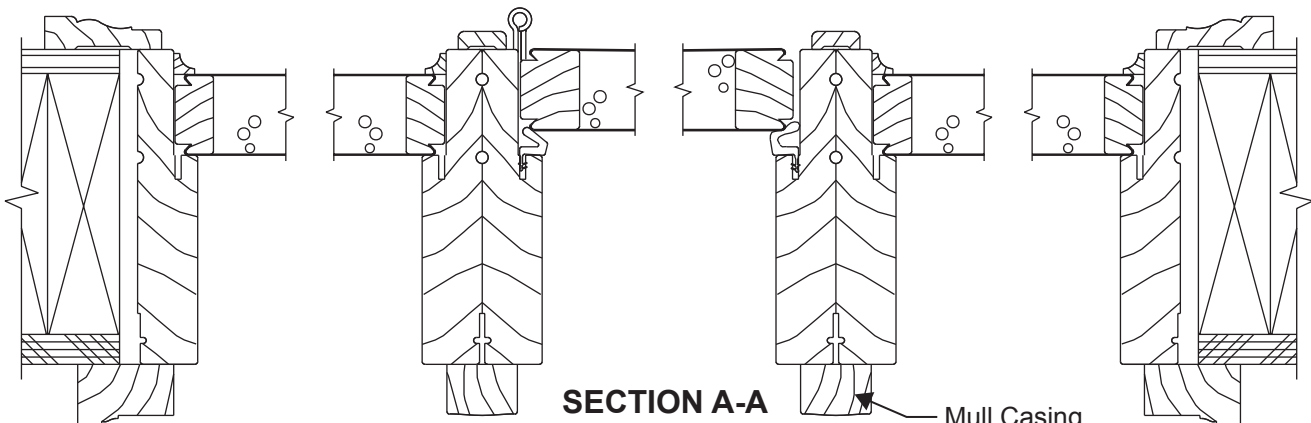


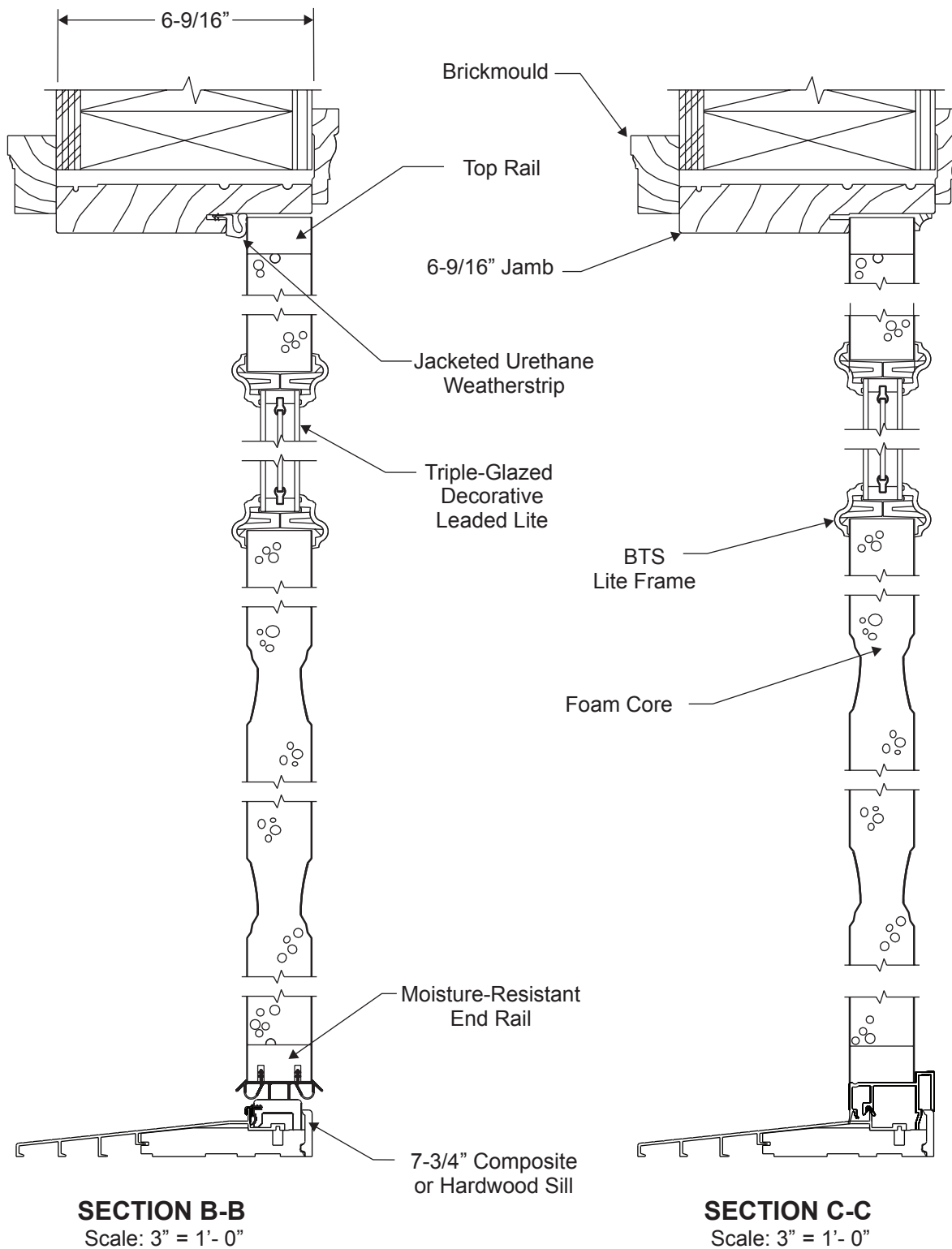
**SECTION B-B**  
Scale: 3" = 1'-0"

Door/Sidelites with Separate Frames, Joined, with Casing

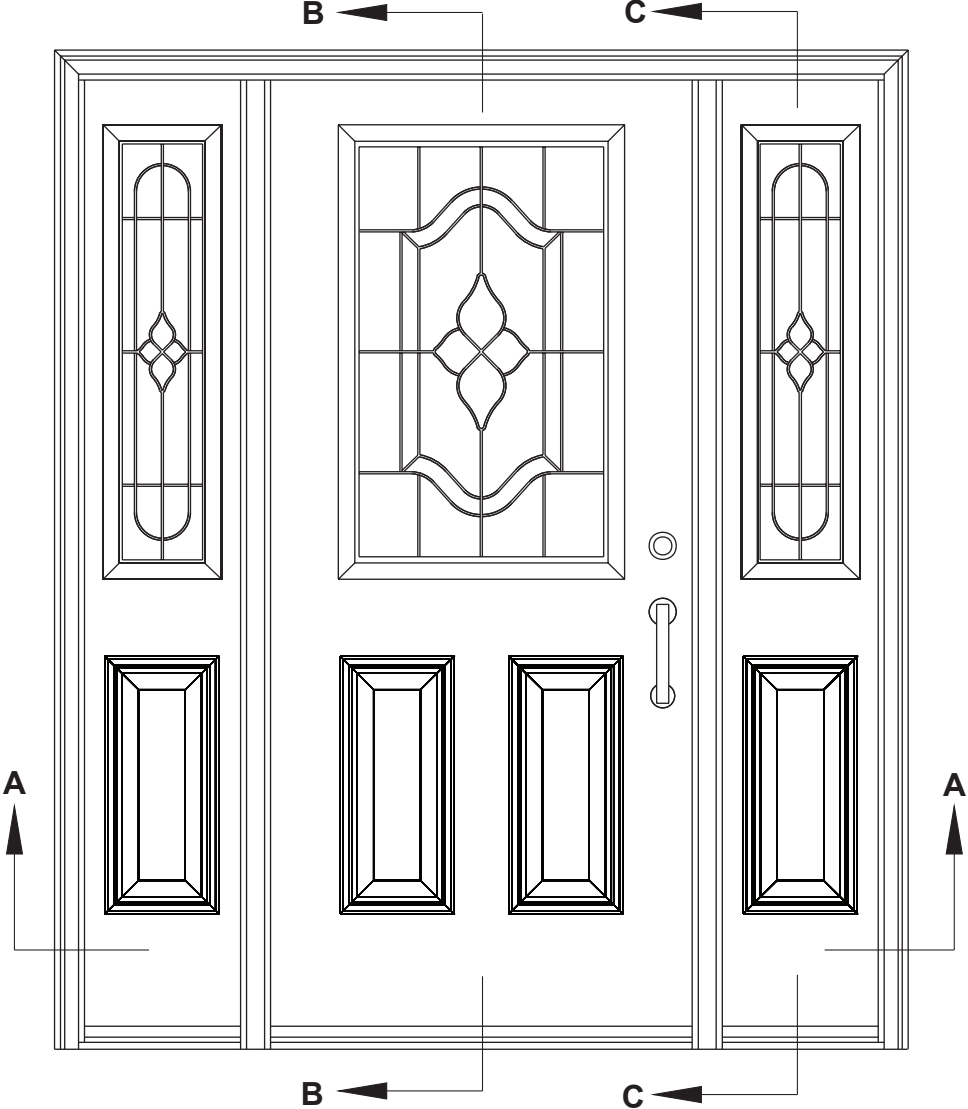


Scale: 3/4" = 1'-0"

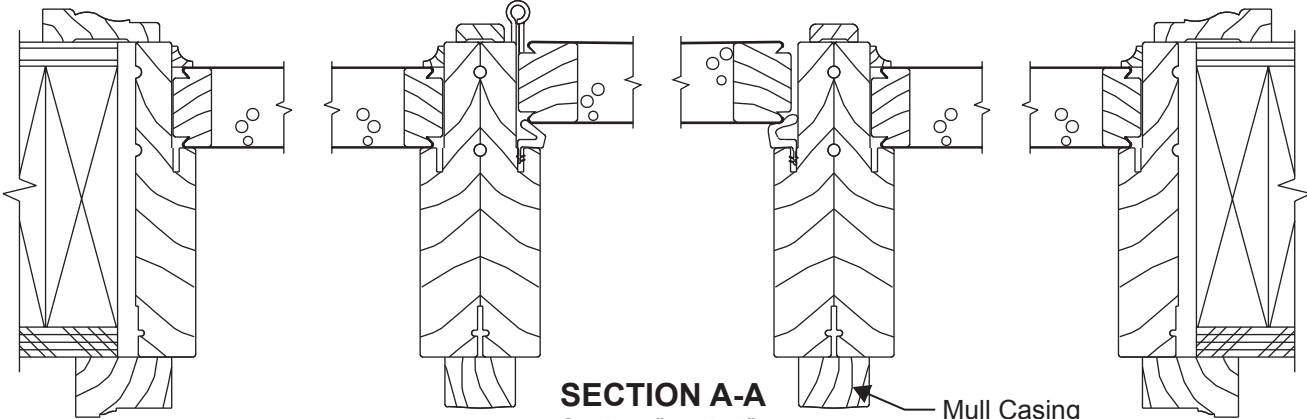




**Door/Sidelites with Separate Frames, Joined, with Casing**

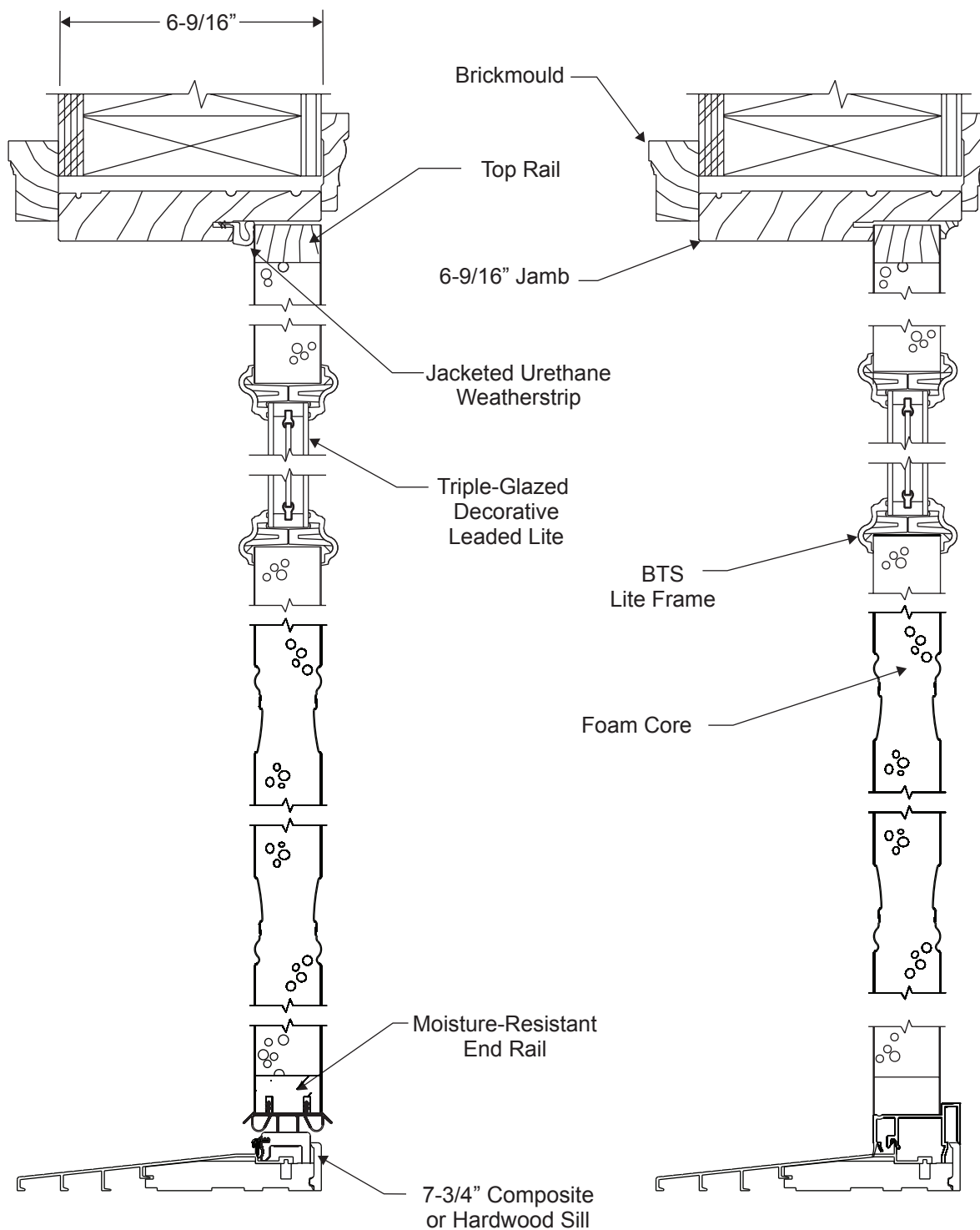


Scale: 3/4" = 1'- 0"



**SECTION A-A**  
Scale: 3" = 1'- 0"

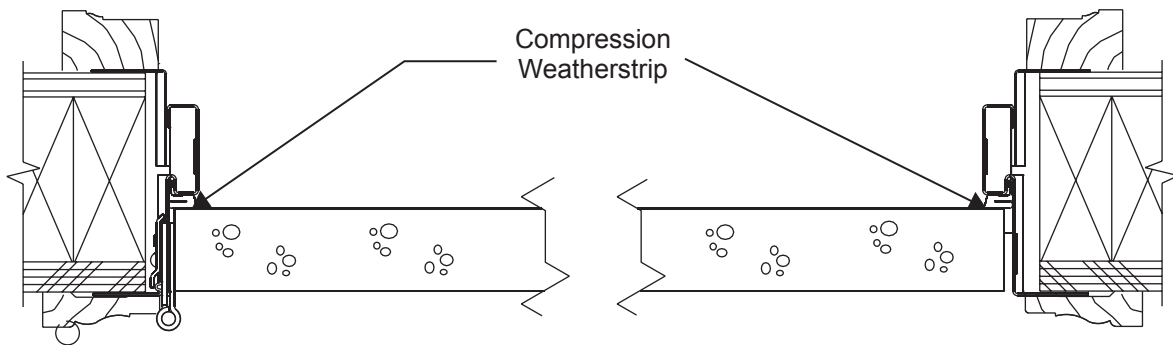
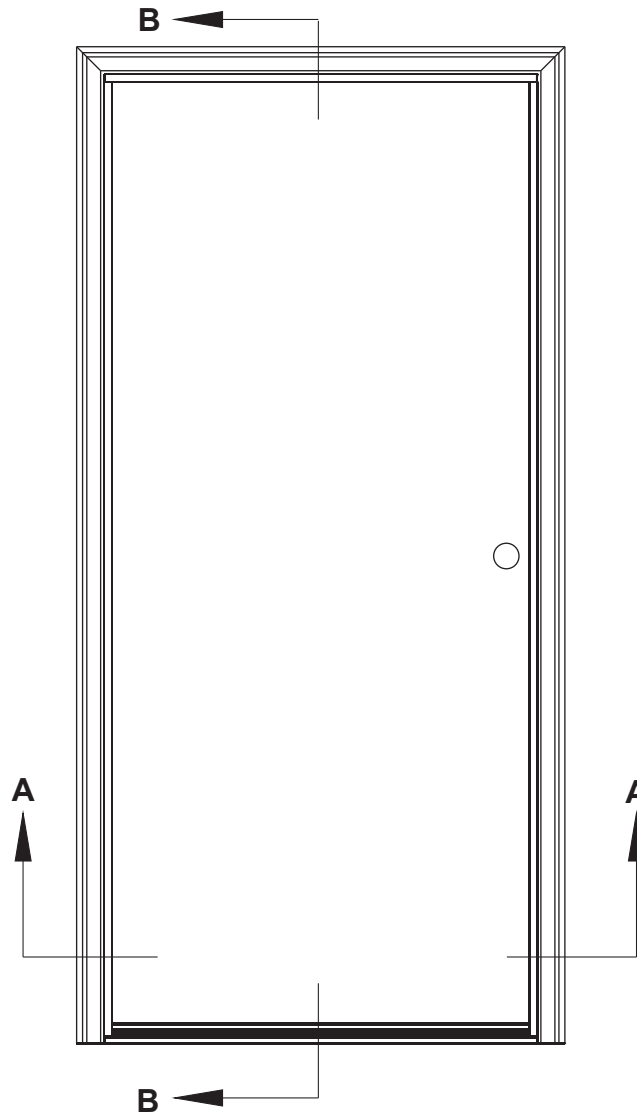
Mull Casing



**SECTION B-B**  
Scale: 3" = 1'-0"

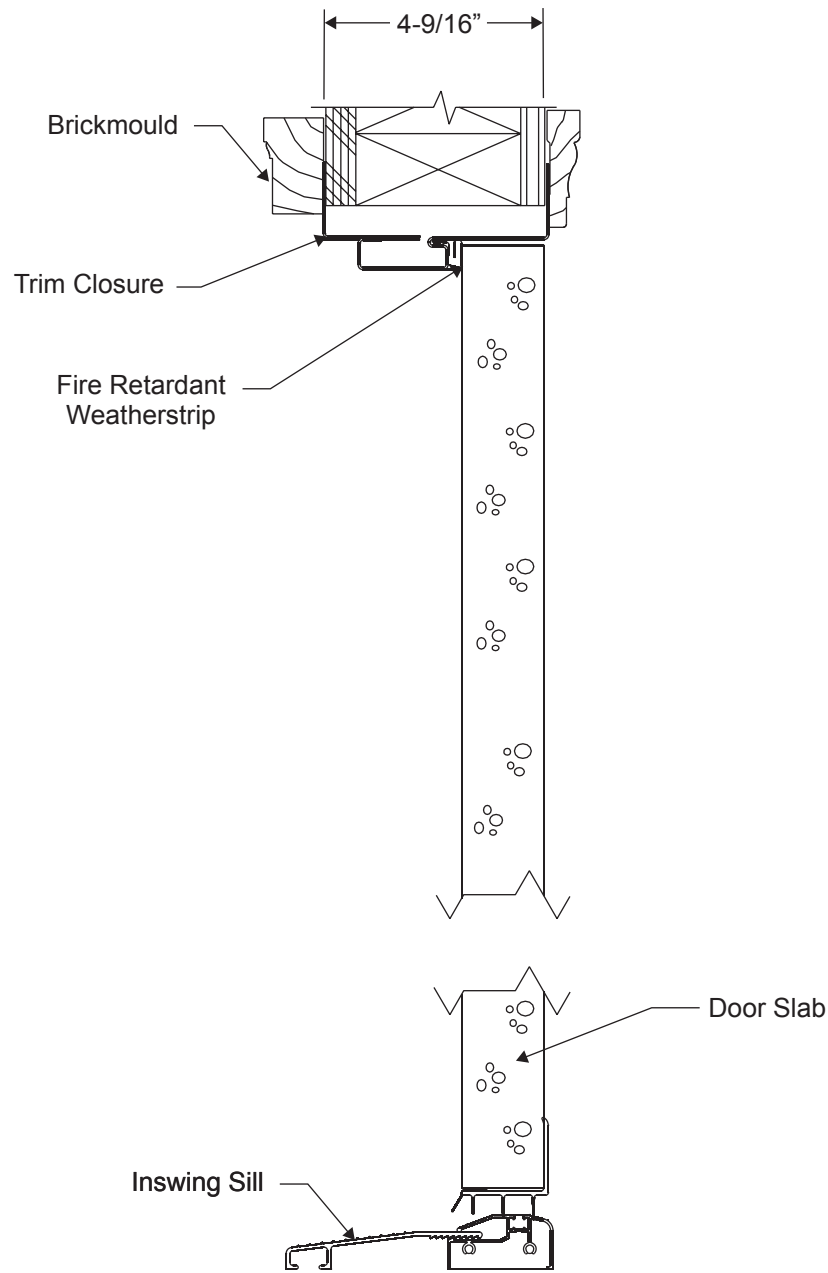
**SECTION C-C**  
Scale: 3" = 1'-0"

## Single Door, Inswing



**SECTION A-A**

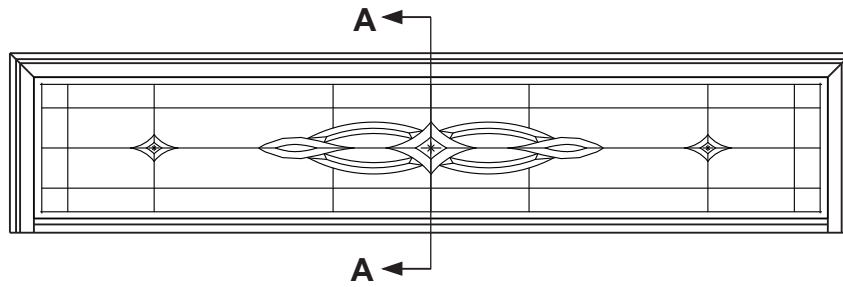




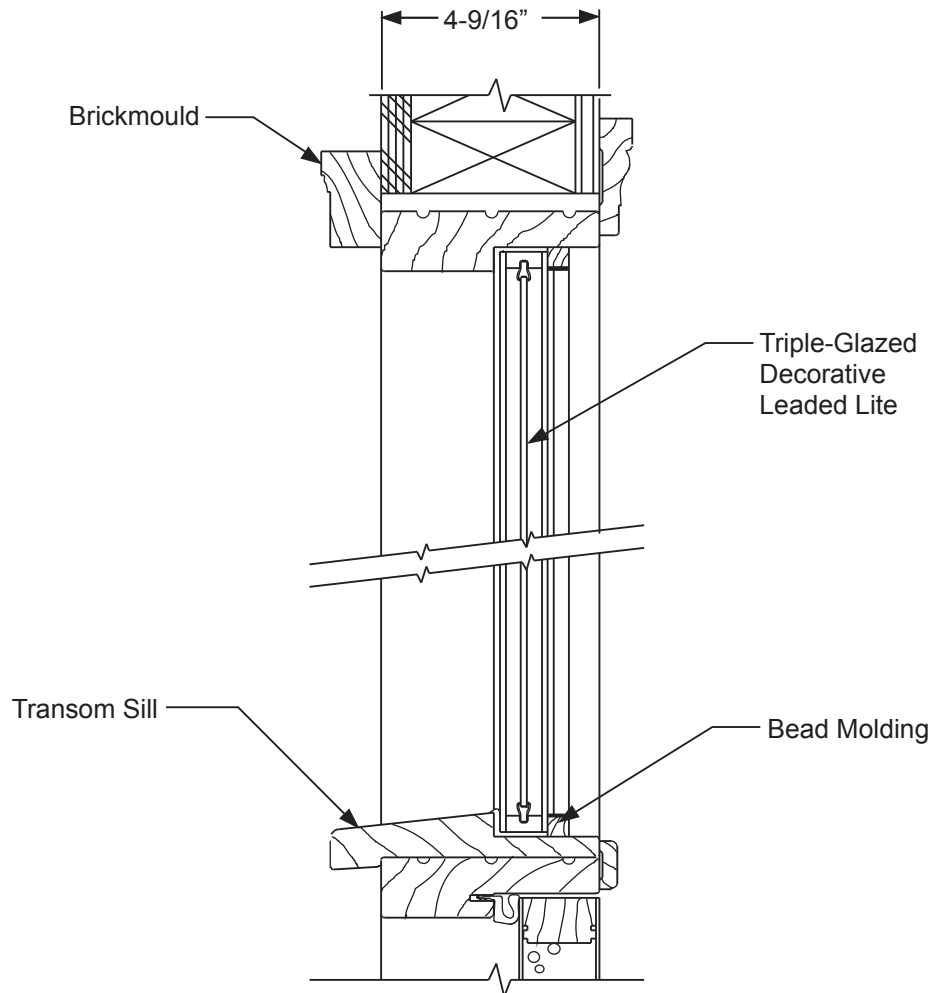
**SECTION B-B**

# Rectangular Transom

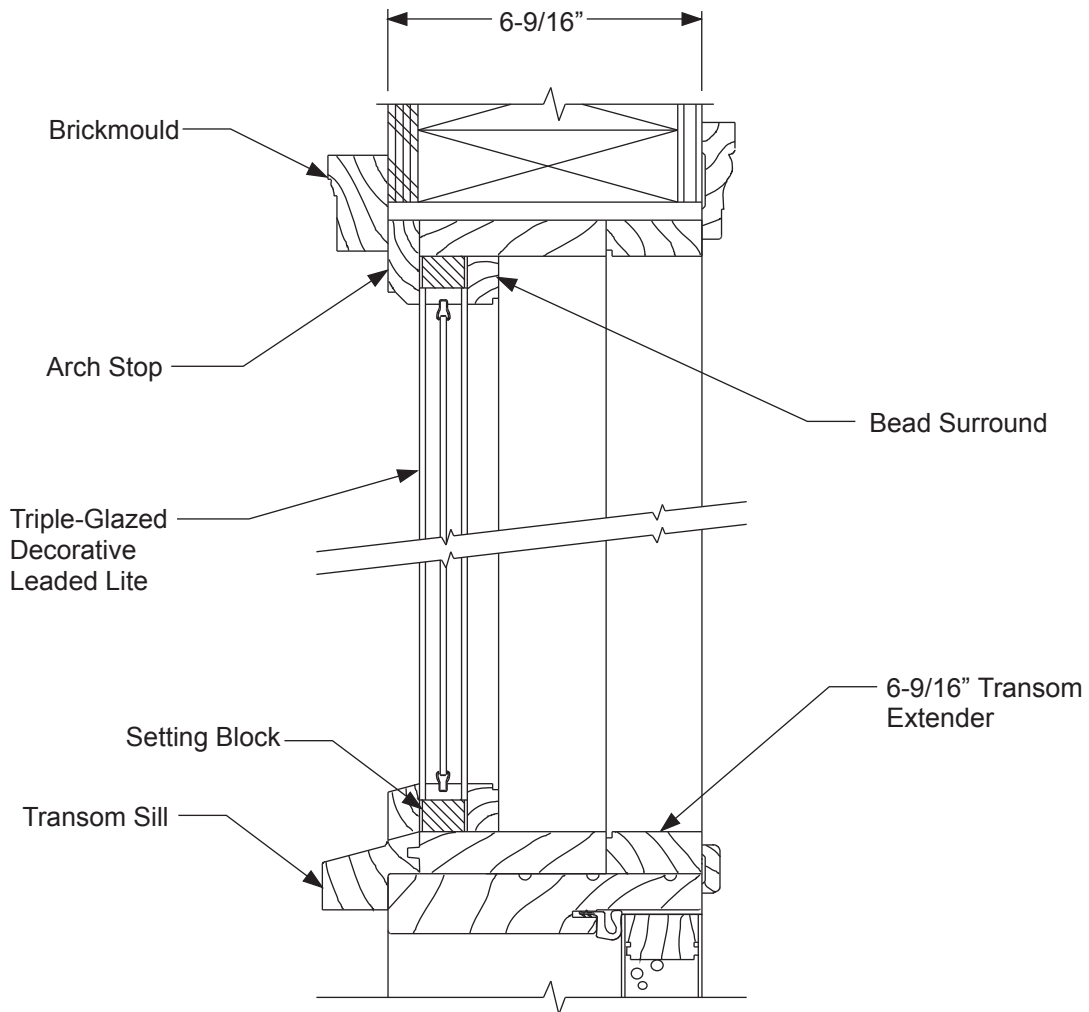
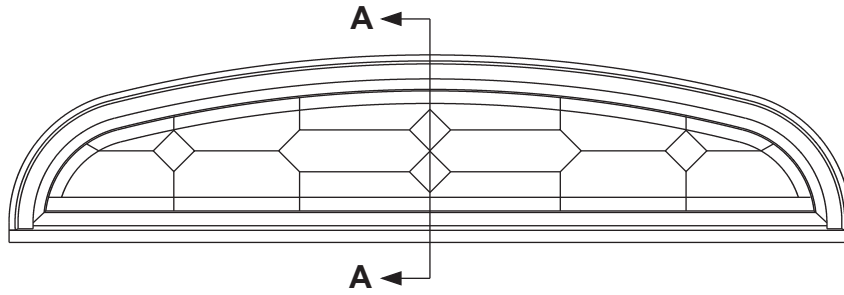
Architectural  
Details



Scale:  $\frac{3}{4}'' = 1'-0''$

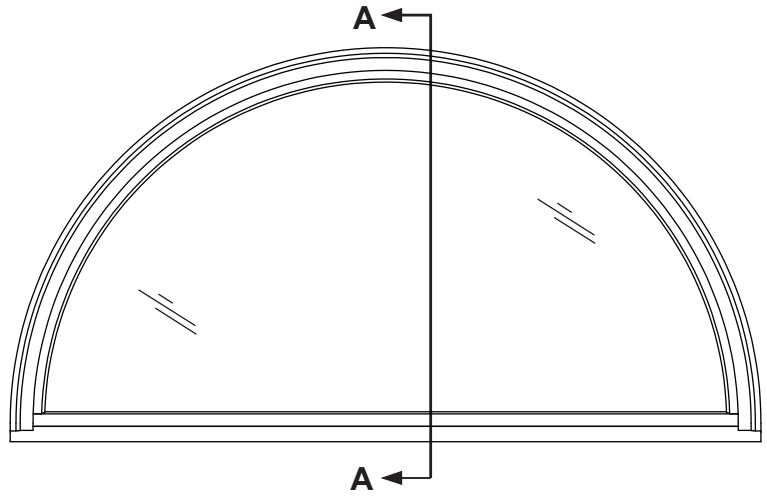


**SECTION A-A**  
Scale:  $3'' = 1'-0''$

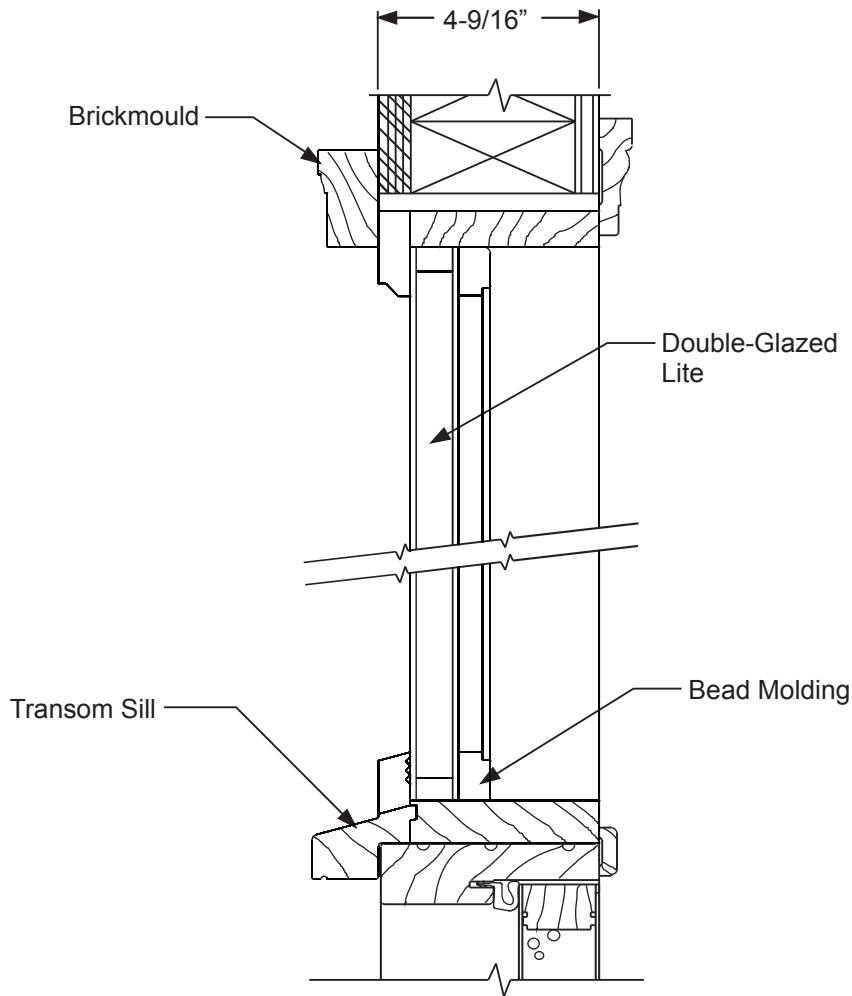


**SECTION A-A**

Architectural  
Details

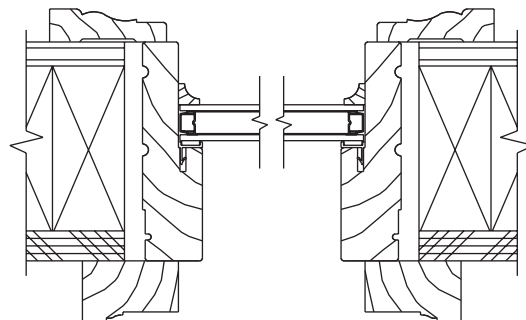
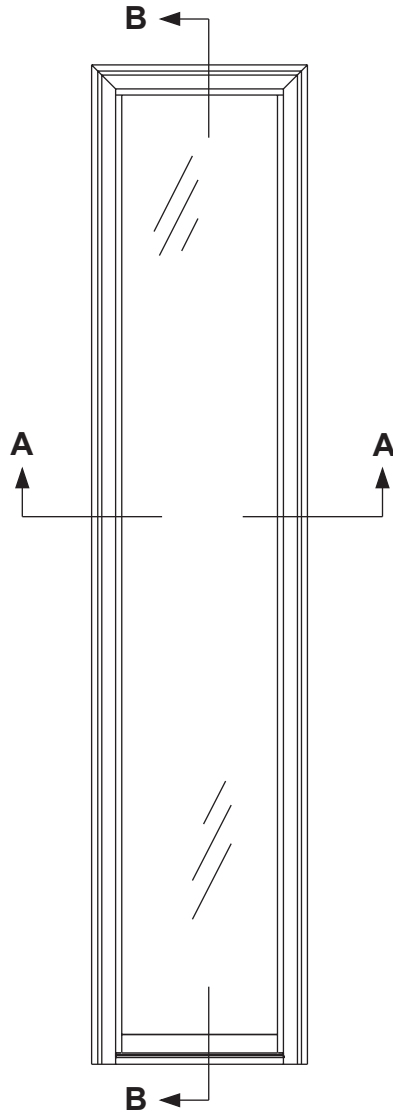


Scale: 3/4" = 1'- 0"

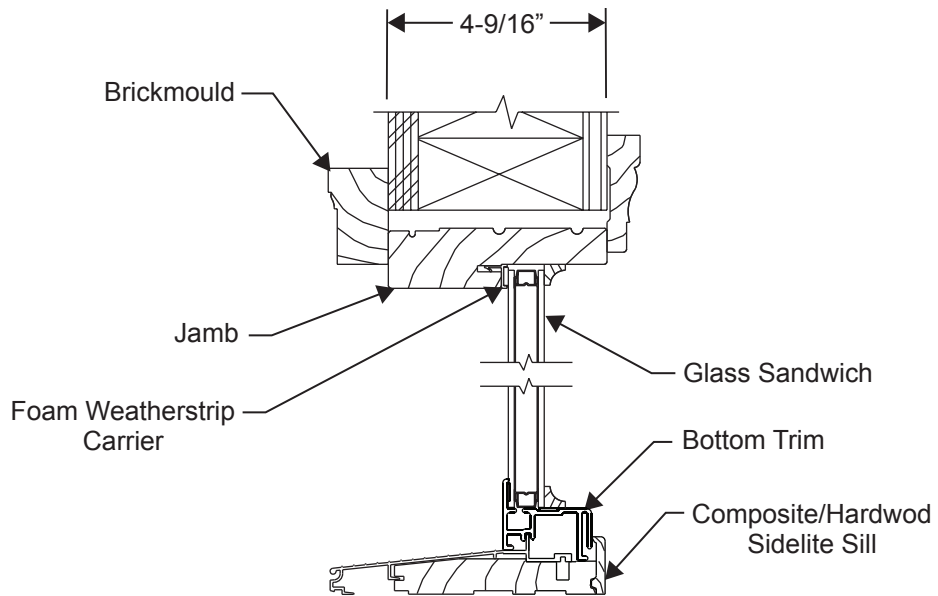


### SECTION A-A

Scale: 3" = 1'- 0"



**SECTION A-A**



**SECTION B-B**