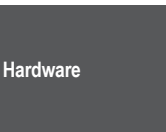
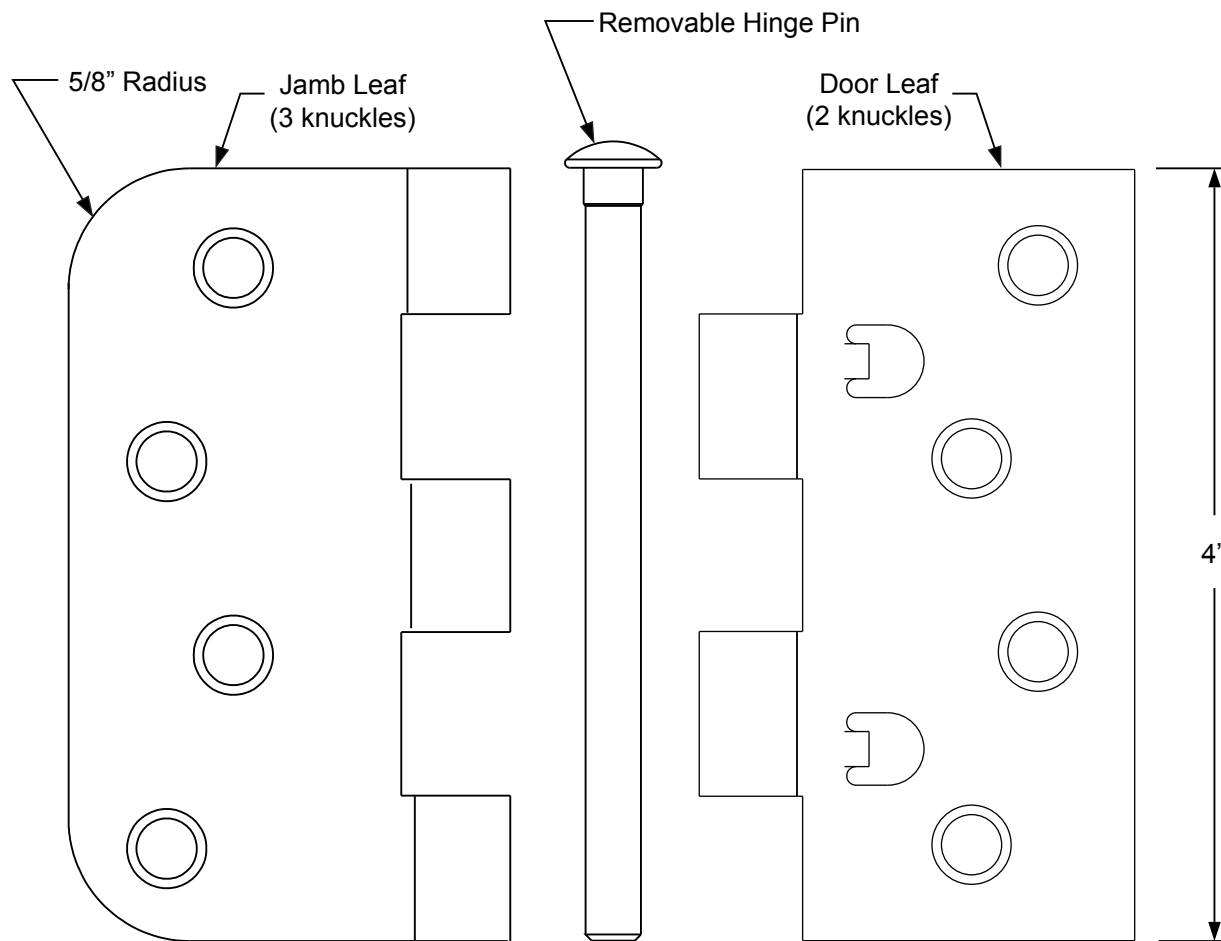
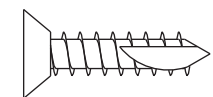
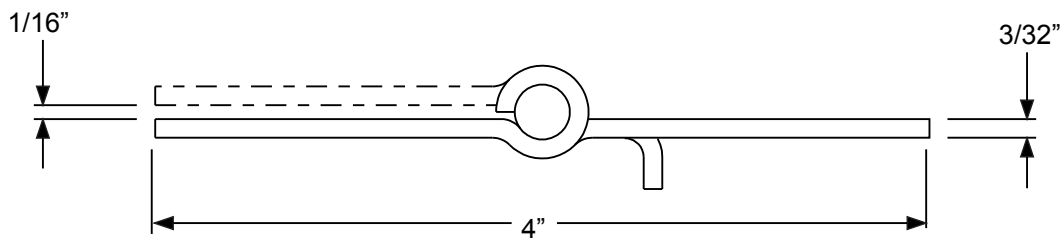


Standard Self-Aligning Hinge.....	9.3
Standard Self-Aligning Hinge with Security Tab	9.4
Adjustable Hinge	9.5
UL Listed Spring Hinge.....	9.6
Ball Bearing Hinge.....	9.7
Self Aligning NRP (Riveted) Pin Hinge	9.8
Classic-Craft Ball Bearing Hinge	9.9
Strike Plates	9.10
French Inswing Multi-Point Lock Shootbolt System Strike Plates	9.11
Lever Style Multi-Point Lock Tongue System Strike Plates	9.13
Grip Style Multi-Point Lock Tongue System Strike Plates	9.14
Vented Sidelite Multi-Point Lock Tongue System Strike Plates.....	9.15
Lever Style Multi-Point Lock - Gears & Extensions	9.16
Grip Style Multi-Point Lock - Gears & Extensions	9.19
Multi-Point Lock - Gears & Extensions	9.20
Lever Style Multi-Point Lock - Handle / Trim.....	9.21
Grip Style Multi-Point Lock - Handle / Trim.....	9.23
Vented Sidelite Multi-Point Lock - Handle / Trim	9.24
Lever Style 45mm Multi-Point Lock - Handle / Trim	9.25
Lever Style 60mm Multi-Point Lock - Handle / Trim	9.26
Grip Style 60mm Multi-Point Lock - Handle / Trim	9.27
Rustic Hardware	9.28
Rain Deflector (Inswing) / Rain Guard (Outswing)	9.29

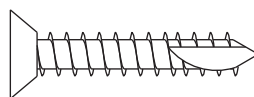




Hardware

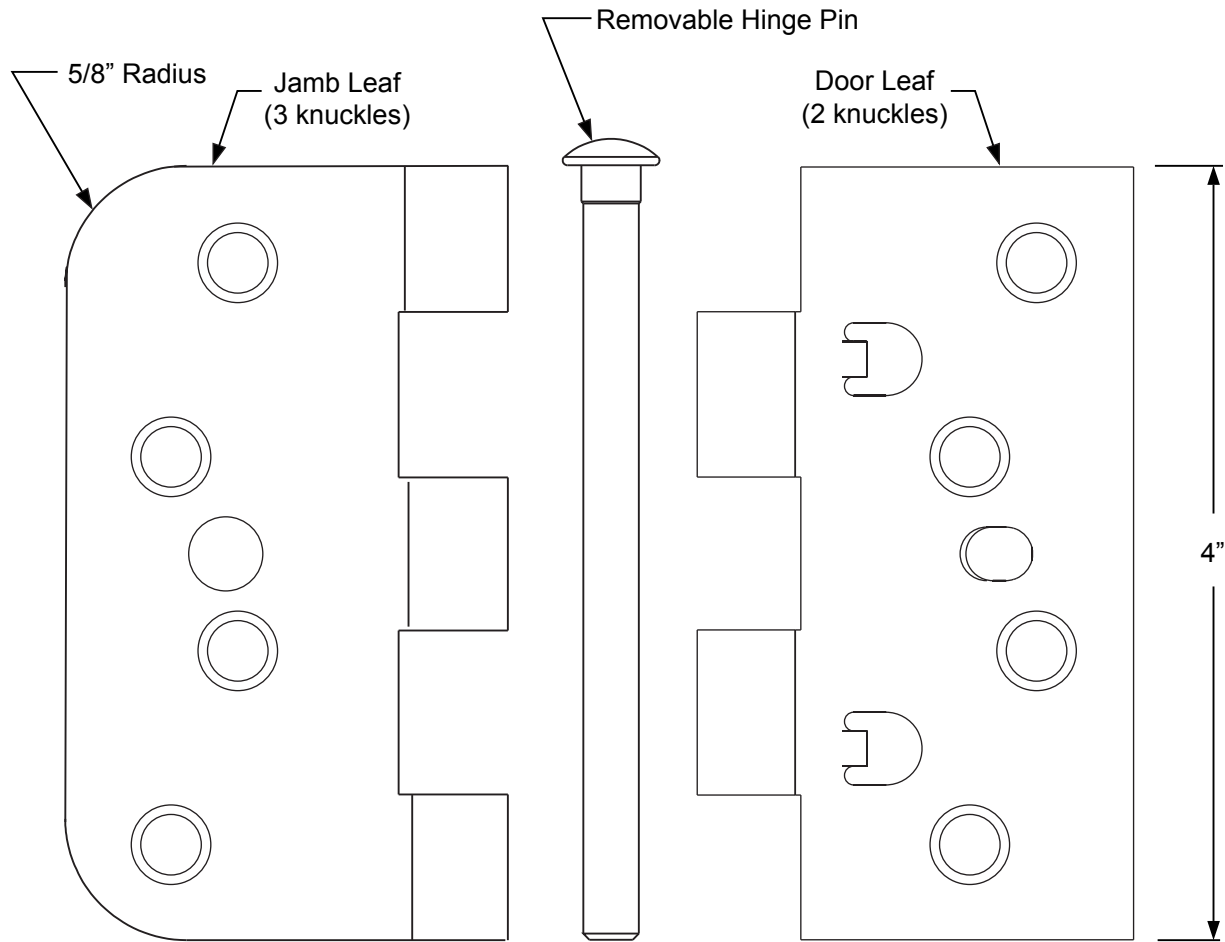


Jamb
#10 x 3/4" Phillips
Flat Head Screw

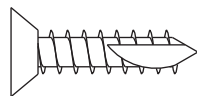
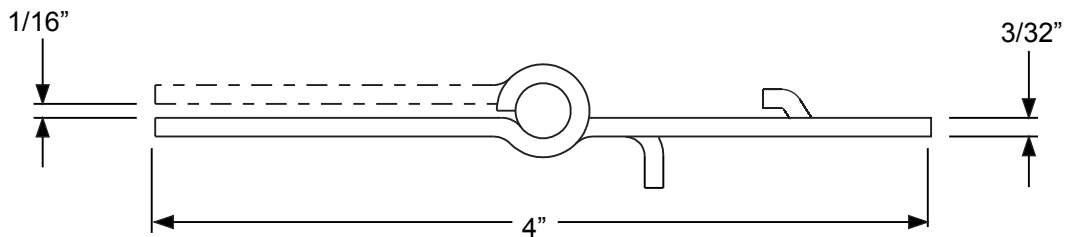


Door
#10 x 1" Phillips
Flat Head Screw

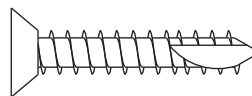
Standard Self-Aligning Hinge with Security Tab



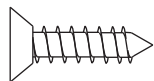
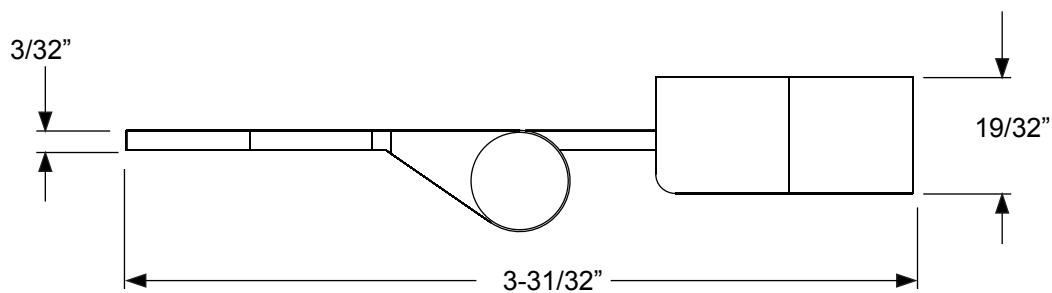
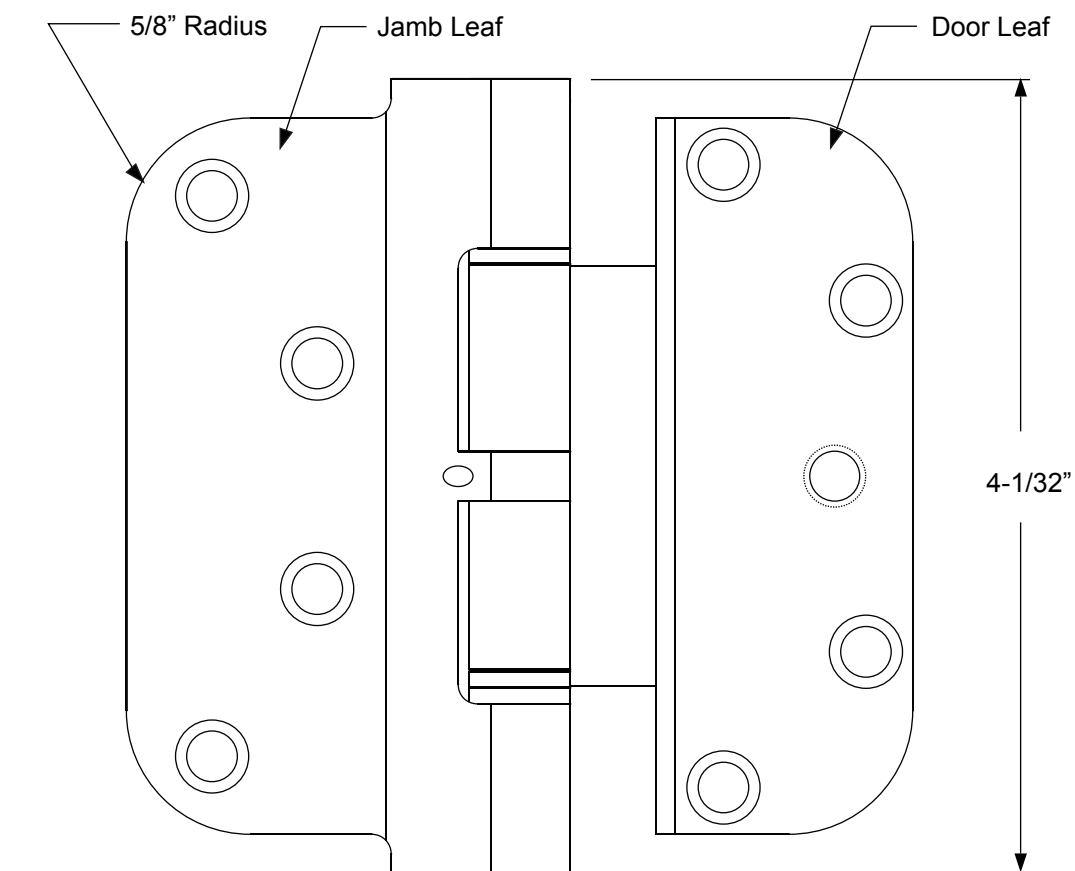
Hardware



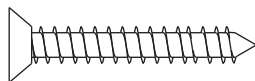
Jamb
#10 x 3/4" Phillips
Flat Head Screw



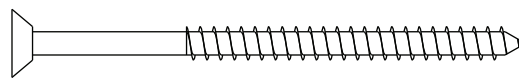
Door
#10 x 1" Phillips
Flat Head Screw



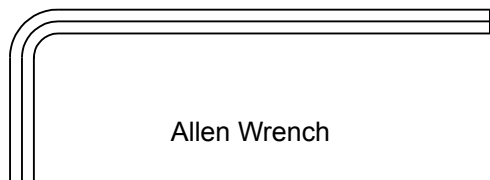
Jamb Leaf
#10 x 3/4" Phillips
Flat Head Screw



Door Leaf
#8 x 1-1/4" Phillips
Flat Head Screw



Jamb Leaf
#10 x 2-1/2" Phillips
Flat Head Screw

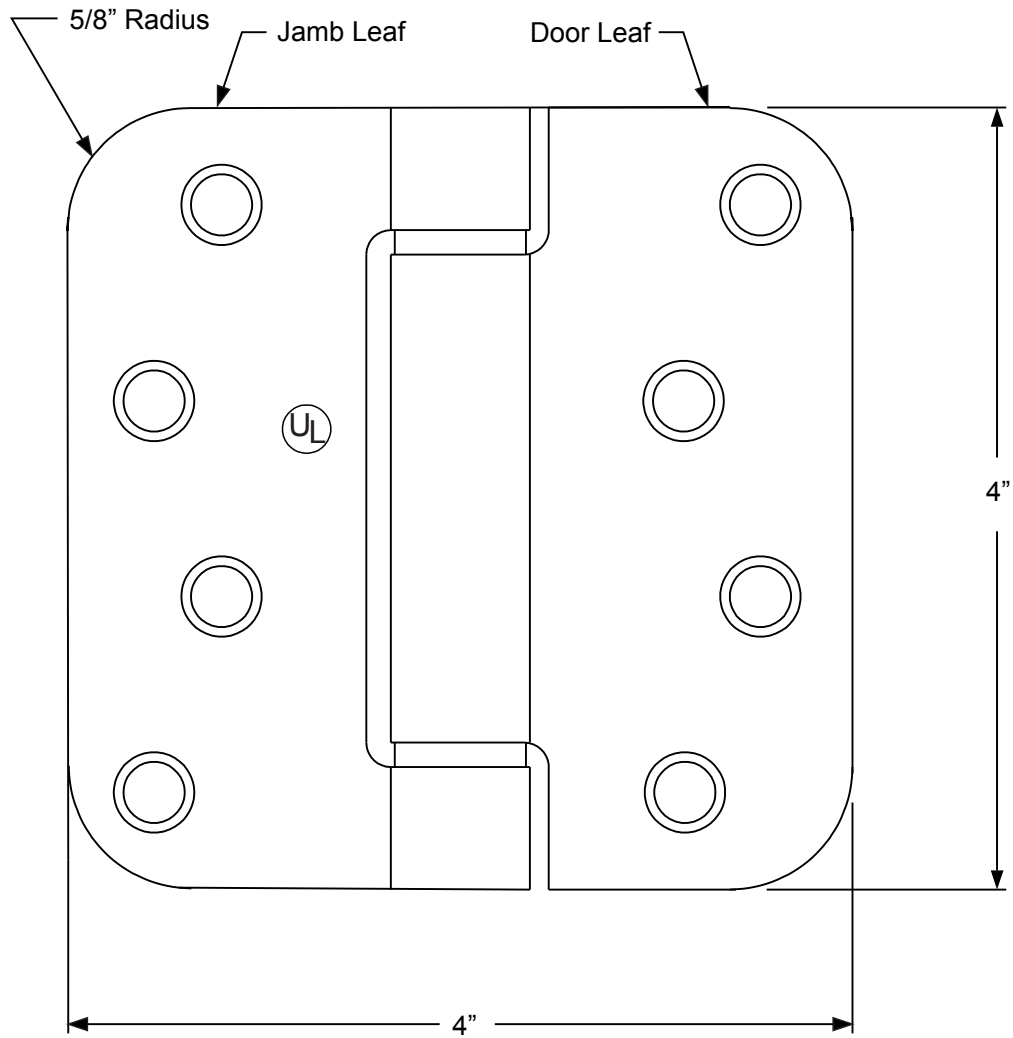


Allen Wrench

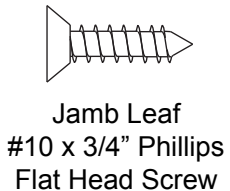
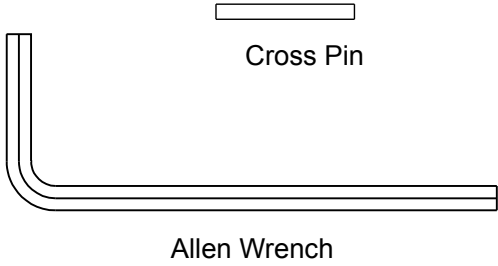
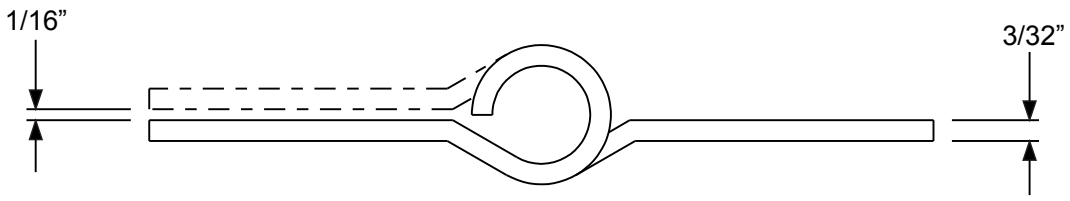
Screws and Allen Wrench are sold separately

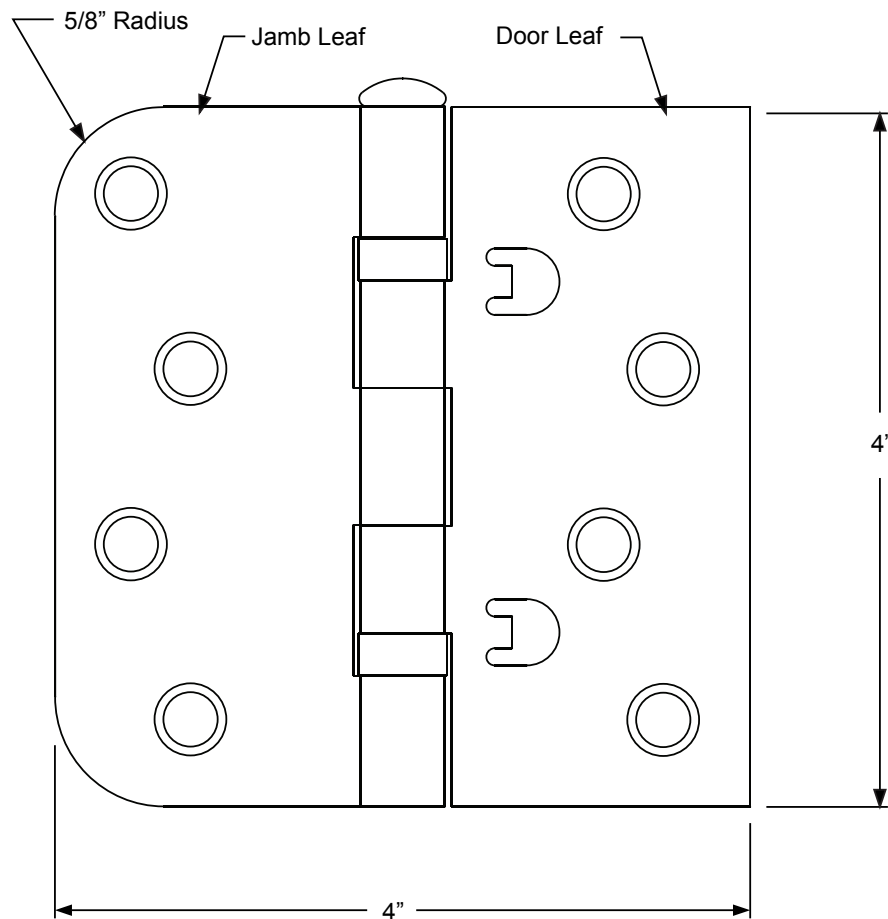
Hardware

UL Listed Spring Hinge

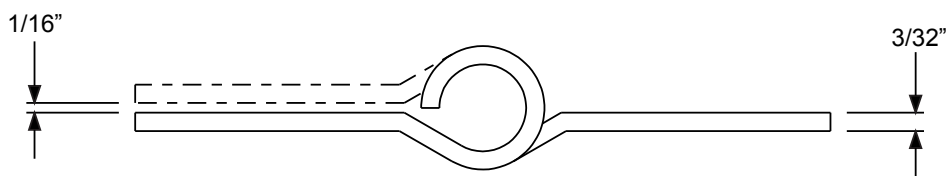
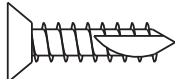


Hardware

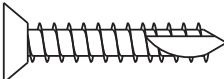




Left-hand shown,
Right-hand opposite

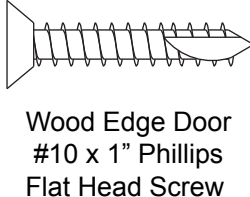
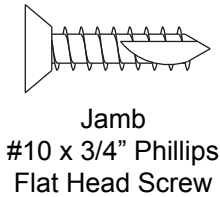
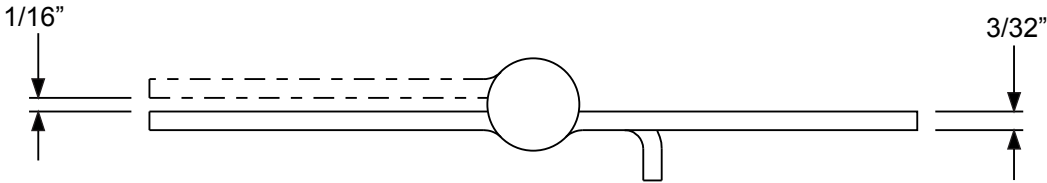
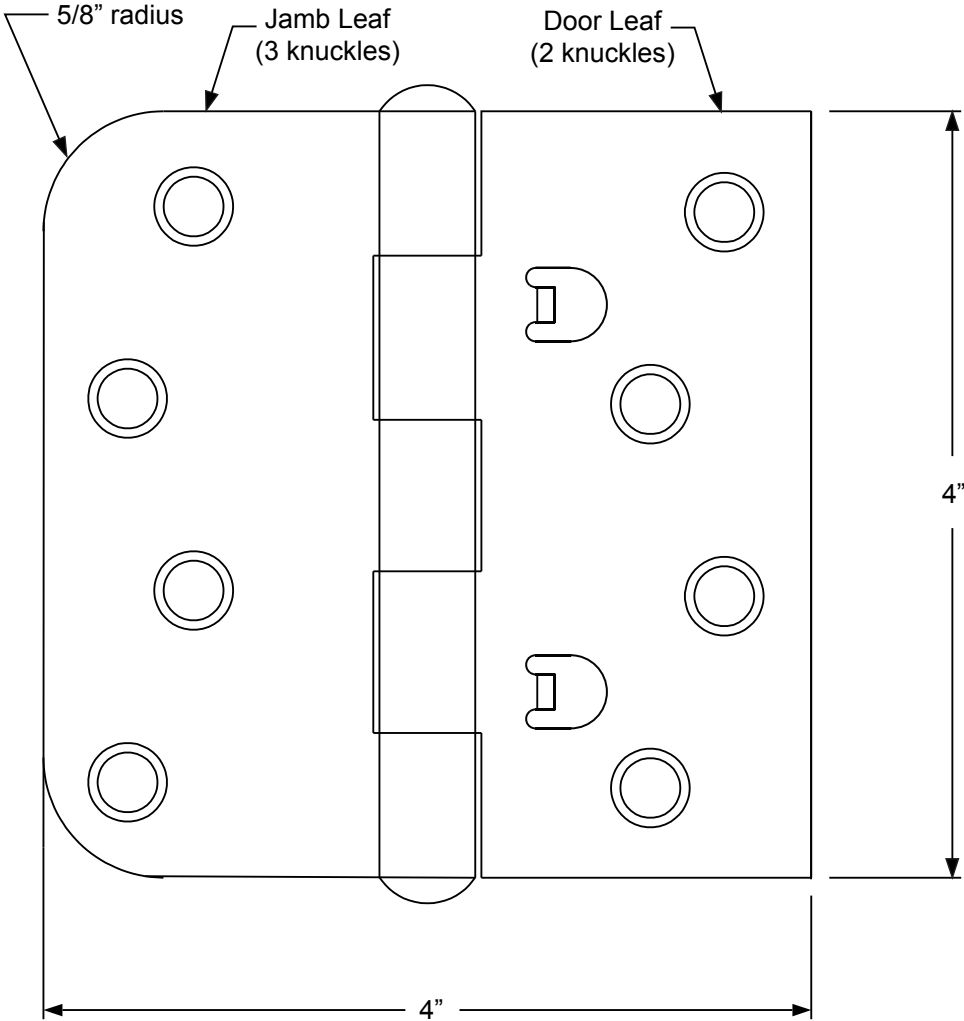
Jamb
#10 x 3/4" Phillips
Flat Head Screw



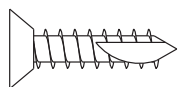
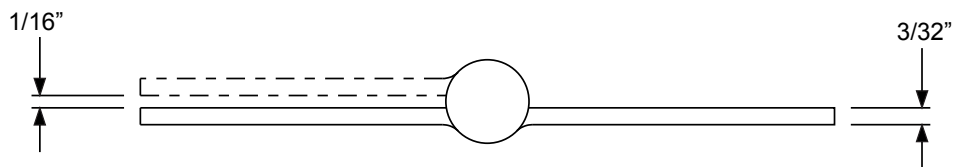
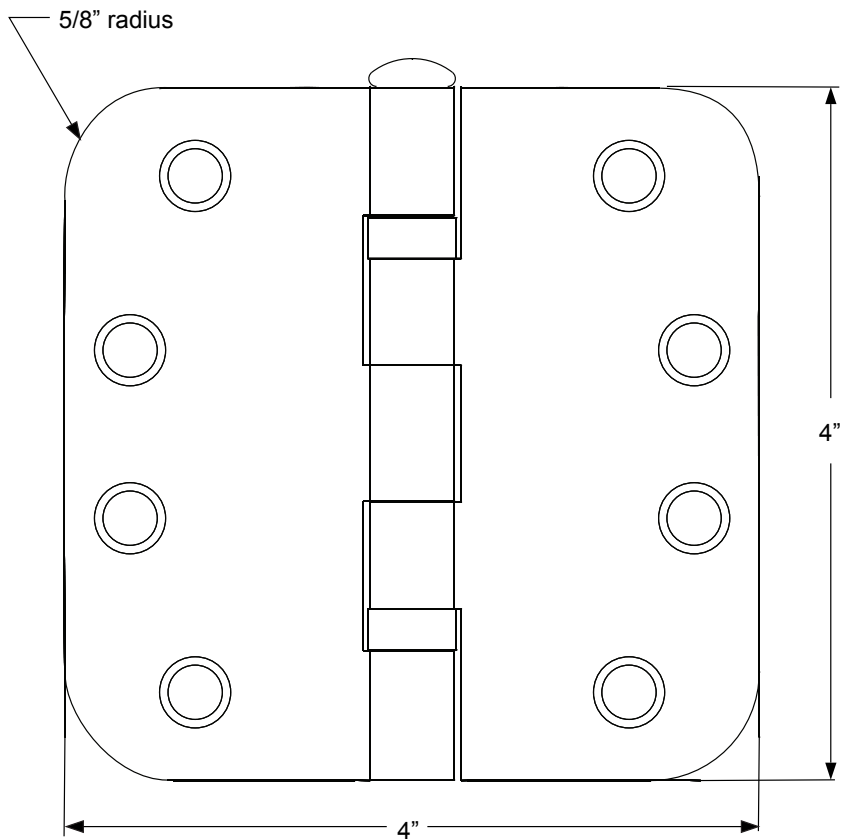
Door
#10 x 1" Phillips
Flat Head Screw

Hardware

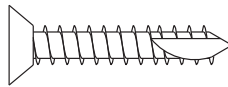
Self Aligning NRP (Riveted) Pin Hinge



Hardware



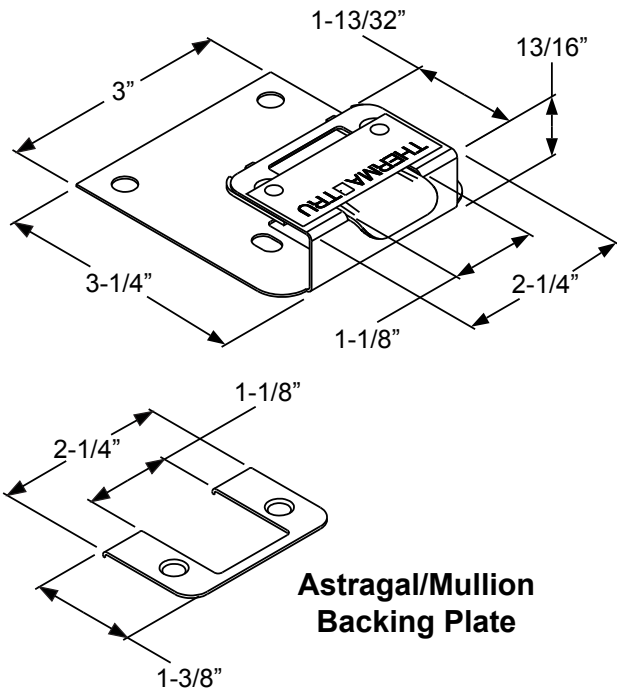
Jamb
#10 x 3/4" Phillips
Flat Head Screw



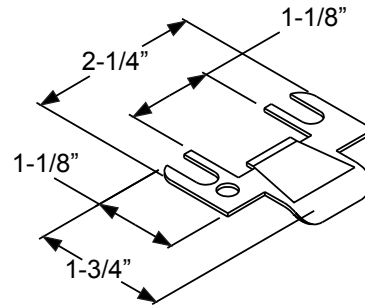
Door
#10 x 1" Phillips
Flat Head Screw

Hardware

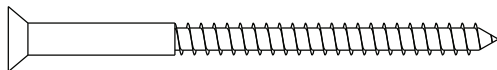
Strike Plates



2-1/8" Rabbet Adjustable Security Strike Assembly
(Supplied with backing label, backing plate, & strike plate)



Adjustable Strike Plate
(supplied with backing plates)



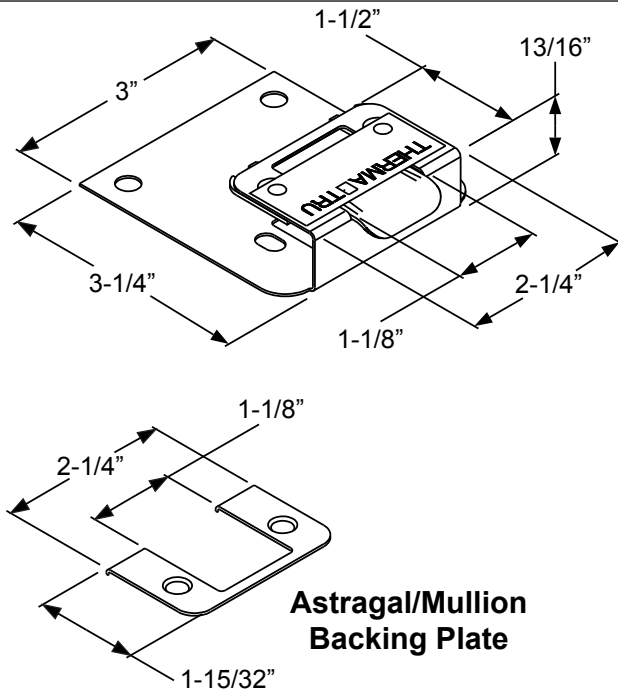
Security Strike Screw
#8 x 2-1/2" Phillips Flathead Screw
(Purchased Separately)



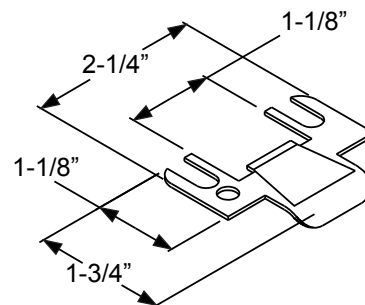
Jamb
#10 x 3/4" Phillips Flat Head Screw



Astragal/Mullion
#8 x 1-1/2" Phillips Flathead Screw
(Supplied with Astragal/Mullion backing plate)

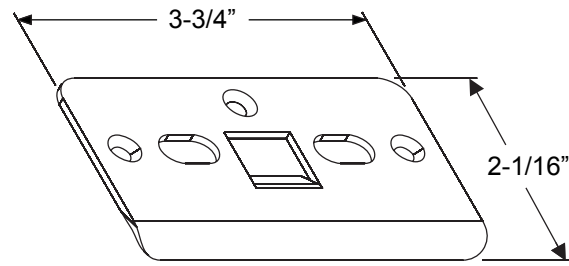
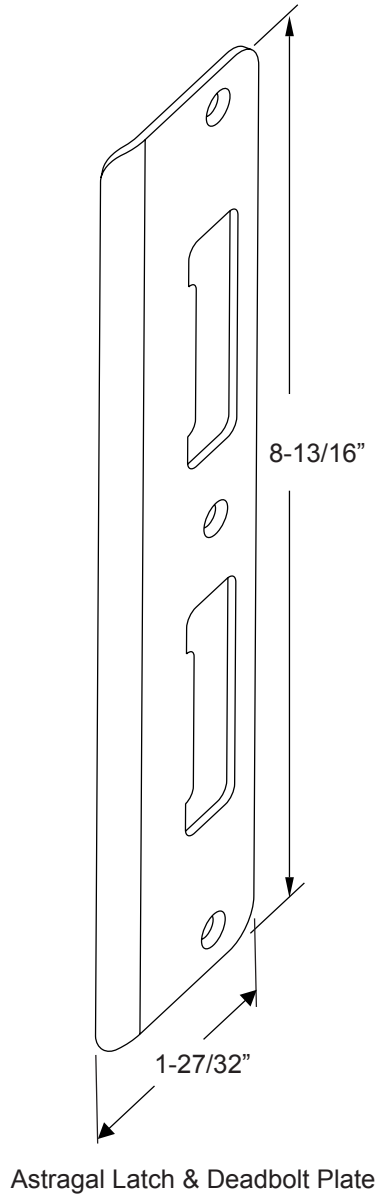


2-3/16" Rabbet Adjustable Security Strike Assembly
(Supplied with backing label, backing plate, & strike plate)

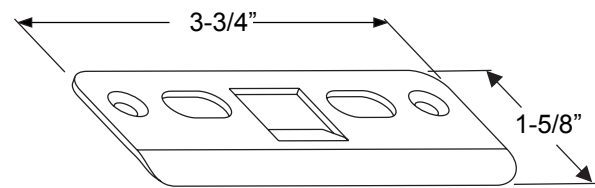


Adjustable Strike Plate
(Supplied with backing plates)

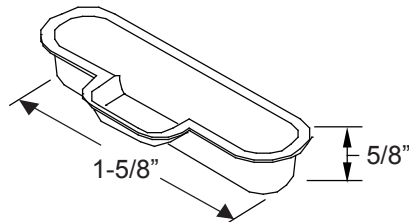
Hardware



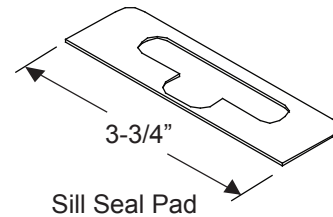
Impact Head Jamb Strike for Shootbolt



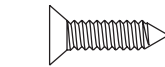
Head Jamb and Sill Strike for Shootbolt



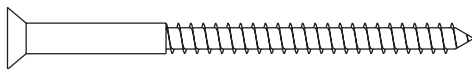
Head and Sill Water Cup



Sill Seal Pad



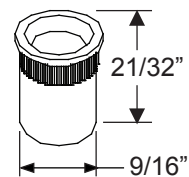
#8 x 5/8" Phillips Flat Head Screw



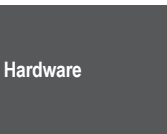
#8 x 2-1/2" Phillips Flat Head Screw



#8 x 1-1/4" Phillips Flat Head Screw

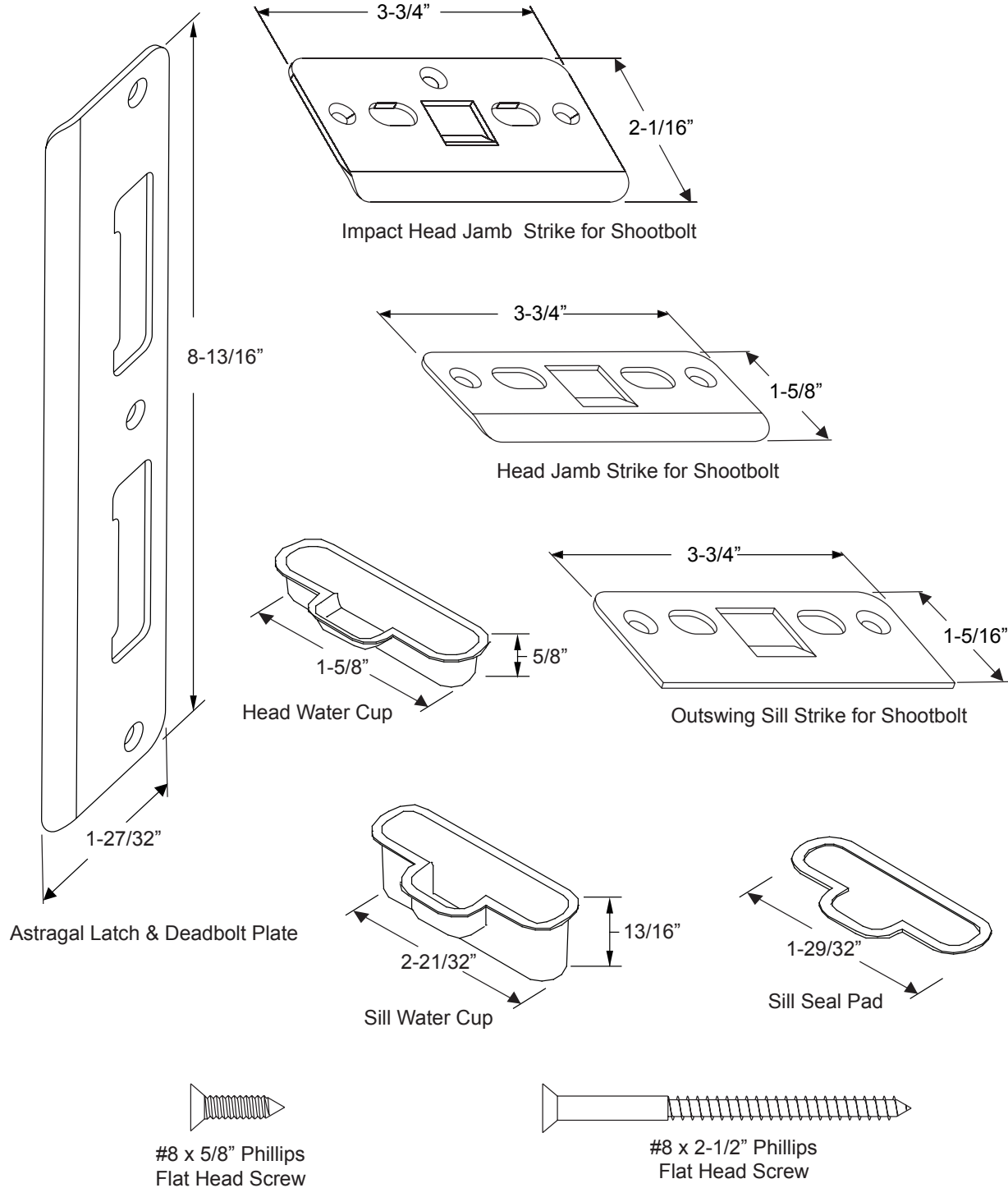


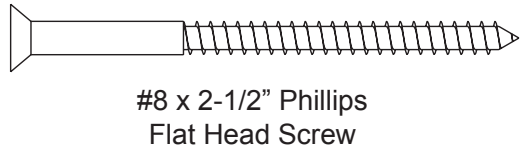
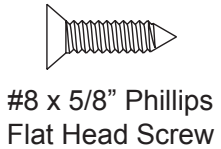
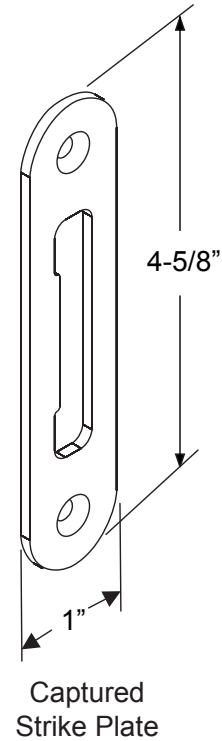
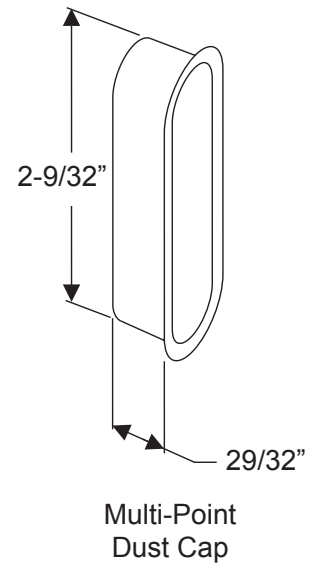
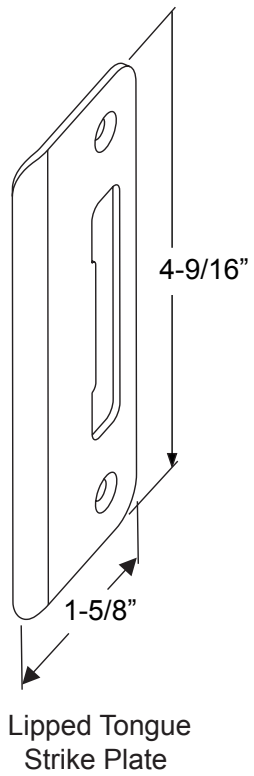
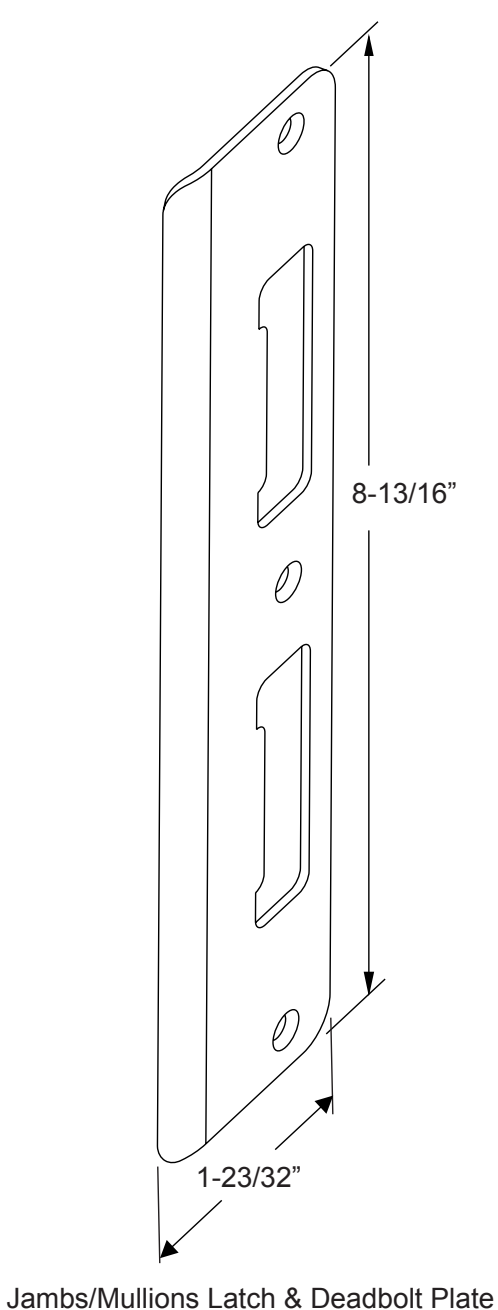
Sill Socket Strike



Hardware

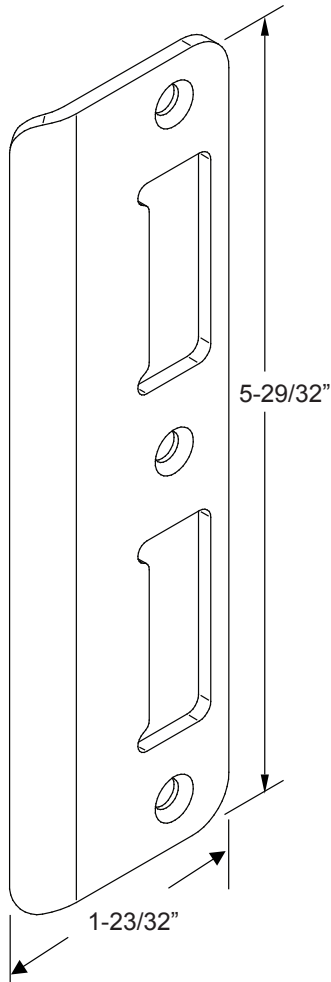
French Outswing Multi-Point Lock Shootbolt System Strike Plates





Hardware

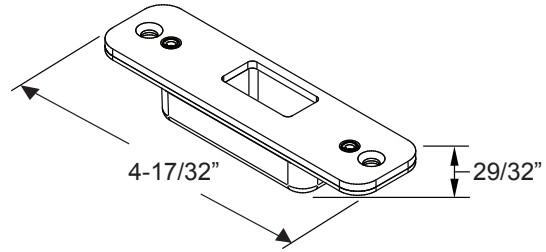
Grip Style Multi-Point Lock Tongue System Strike Plates



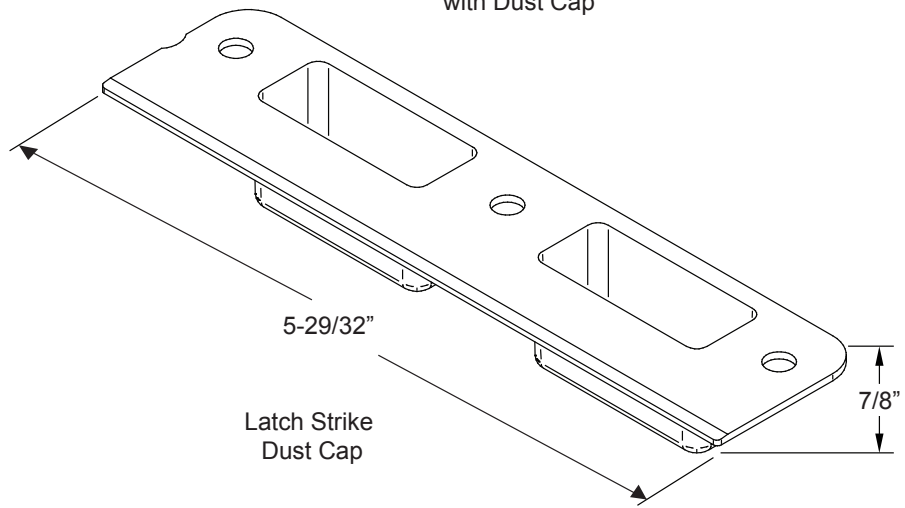
Latch Strike



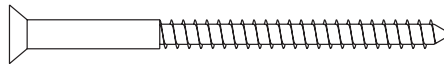
#8 x 5/8" Phillips
Flat Head Screw



Captured Strike
with Dust Cap

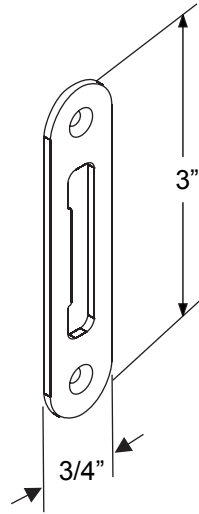


Latch Strike
Dust Cap



#8 x 2-1/2" Phillips
Flat Head Screw

Hardware



Vented Sidelite
Strike Plate



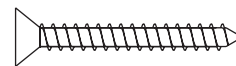
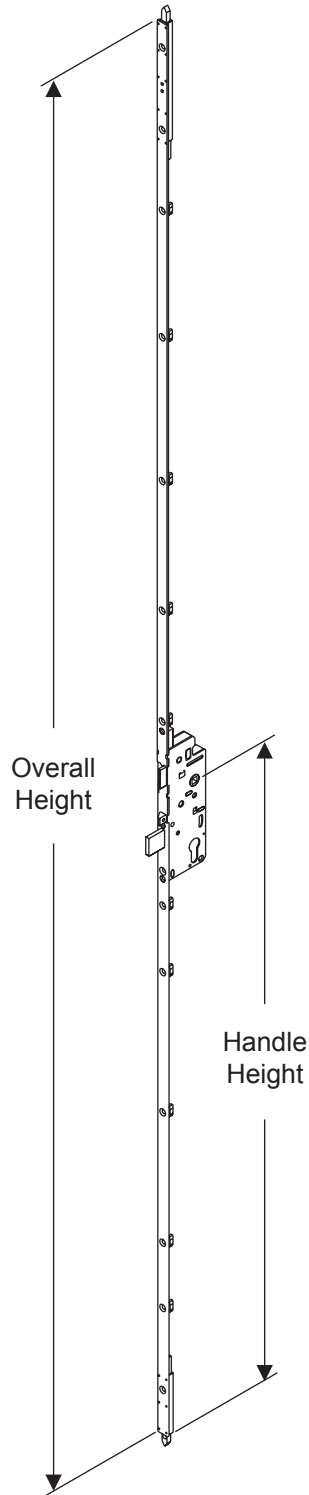
#8 x 1-1/4" Phillips
Flat Head Screw

Hardware

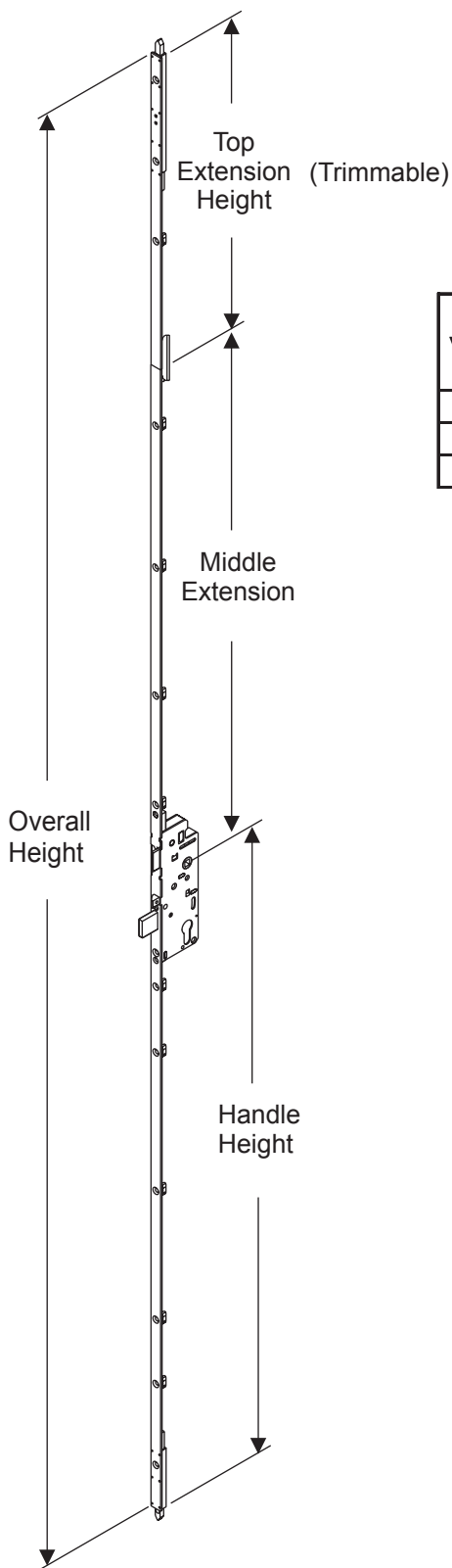
Lever Style Manual Shootbolt System (Fixed Height)

Door Height	Inswing Handle Height	Inswing Overall Height
6/6	33-1/2"	76-25/32"
6/8	36-1/16"	79-11/32"
7/0	36-1/16"	83-1/4"
8/0	36-1/16"	95-11/32"

Door Height	Outswing Handle Height	Outswing Overall Height
6/6	33-7/16"	76-23/32"
6/8	36"	79-9/32"
7/0	36"	83-3/16"
8/0	36"	95-9/32"



Stainless Steel
Mounting Screw



**Lever Style
Manual Shootbolt System
(Variable Height)**

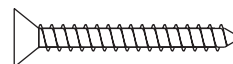
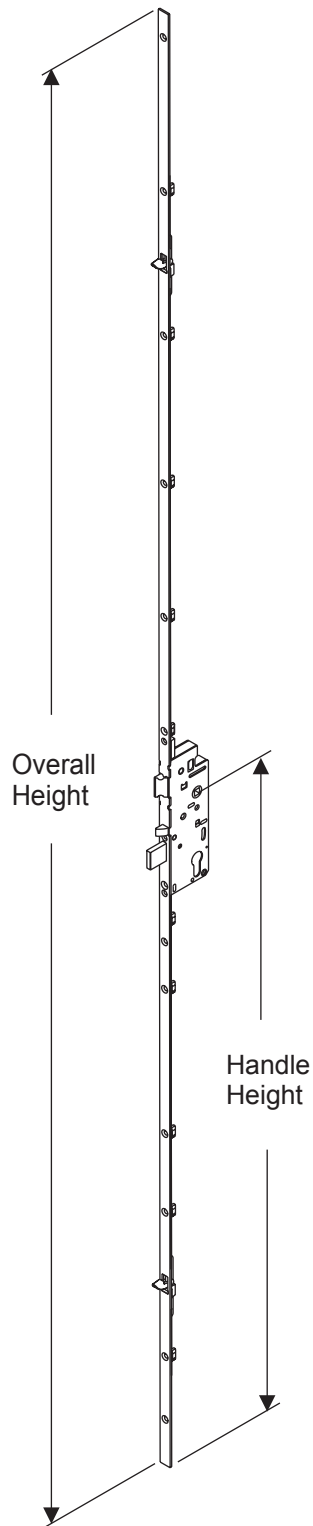
Variable Door Height	Handle Height	Maximum Trim
76-5/8" to 80-9/16"	36"	3.94"
82-1/2" to 86-15/32"	36"	3.94"
88-7/16" to 95-5/16"	36"	3.94"

Hardware



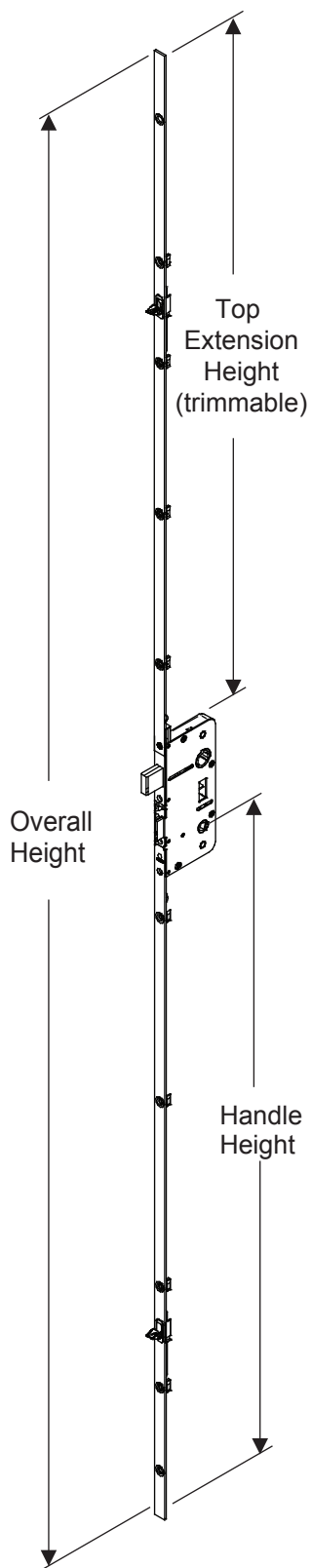
Lever Style Manual Tongue System

Door Height	Inswing & Outswing Handle Height	Inswing & Outswing Overall Height
6/6	33-7/16"	76-11/16"
6/8	36"	79-9/32"
7/0	36"	83-9/32"
8/0	36"	95-9/32"



Stainless Steel
Mounting Screw

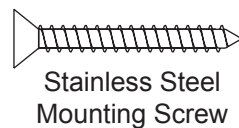
Hardware



**Grip Style MPLS System
(Variable Height)**

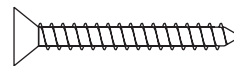
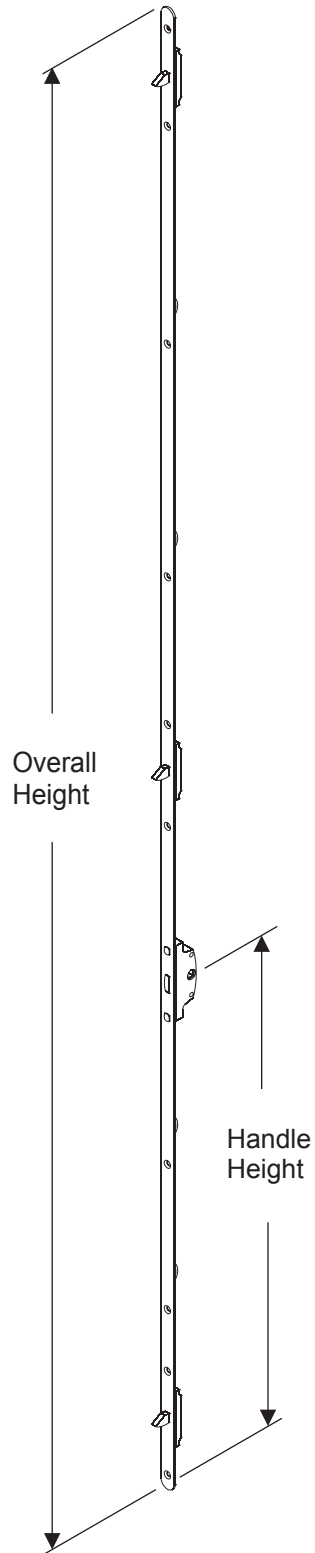
VARIABLE DOOR HEIGHT	OVERALL HEIGHT	HANDLE HEIGHT
76-5/8" to 80-9/16"	79.240	36.000
82-1/2" to 86-15/32"	83.256	
88-7/16" to 95-5/16"	95.264	

Hardware



Vented Sidelite Tongue System

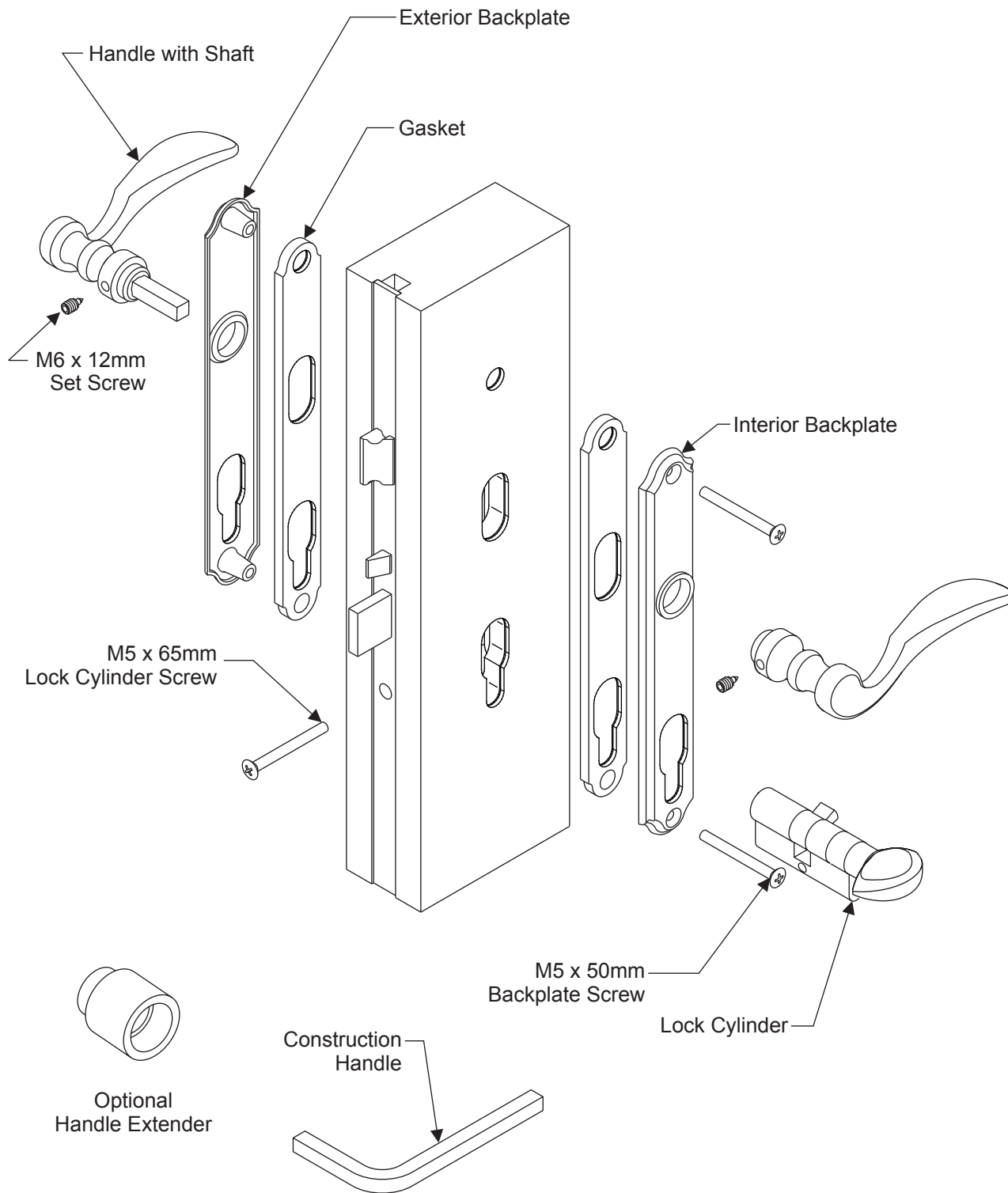
Door Height	Inswing Handle Height	Inswing Overall Height
6/6	33-7/16"	63"
6/8	36"	63"
8/0	36"	66"



Mounting Screw

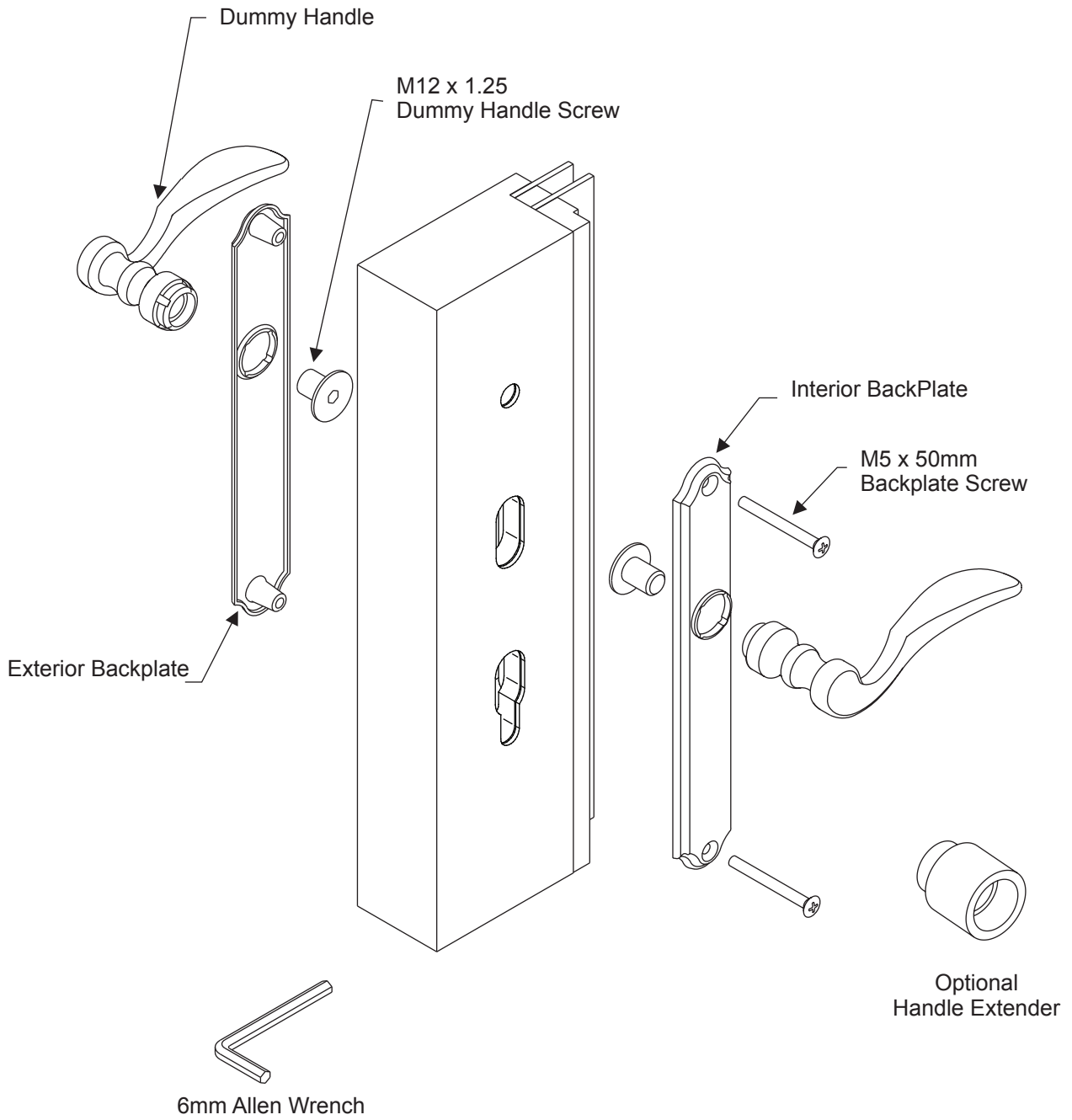
Active

available in both 45mm & 60mm backset

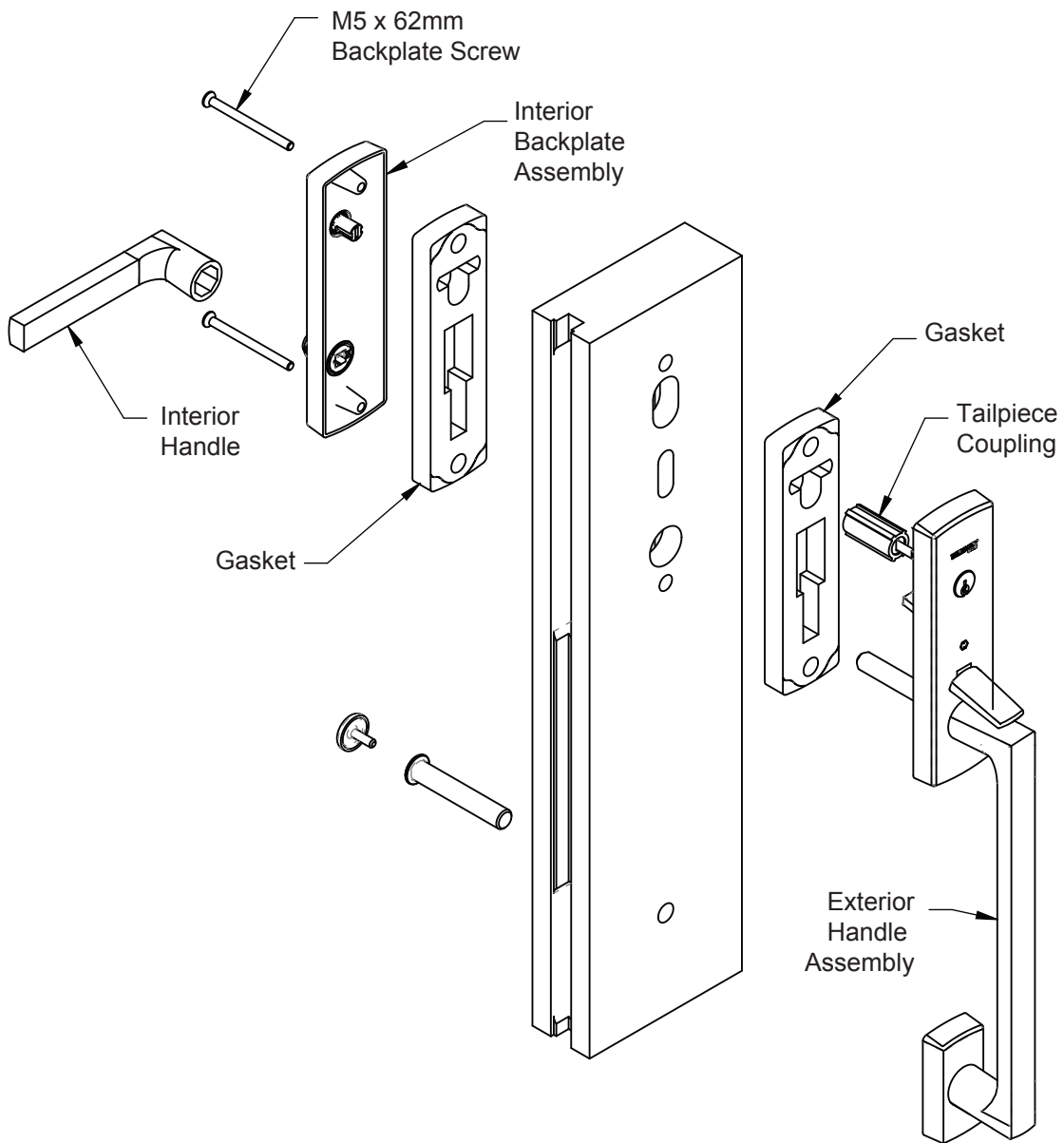


Hardware

Inactive

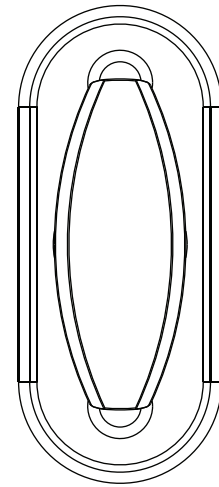
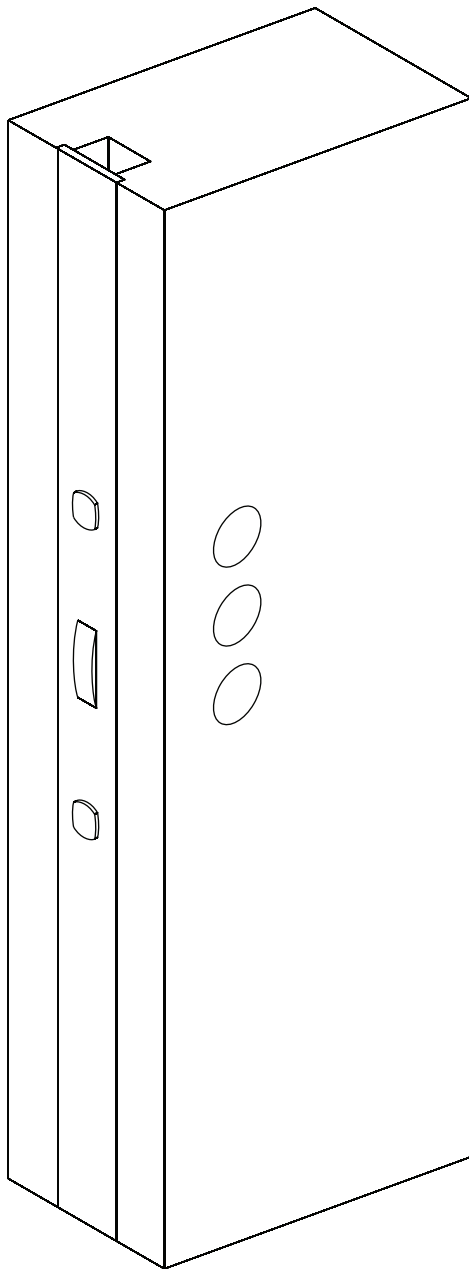


Active
60mm backset

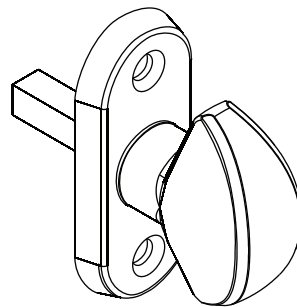


Hardware

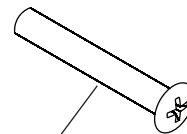
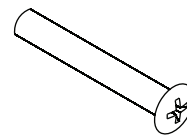
Vented Sidelite



Thumb Turn

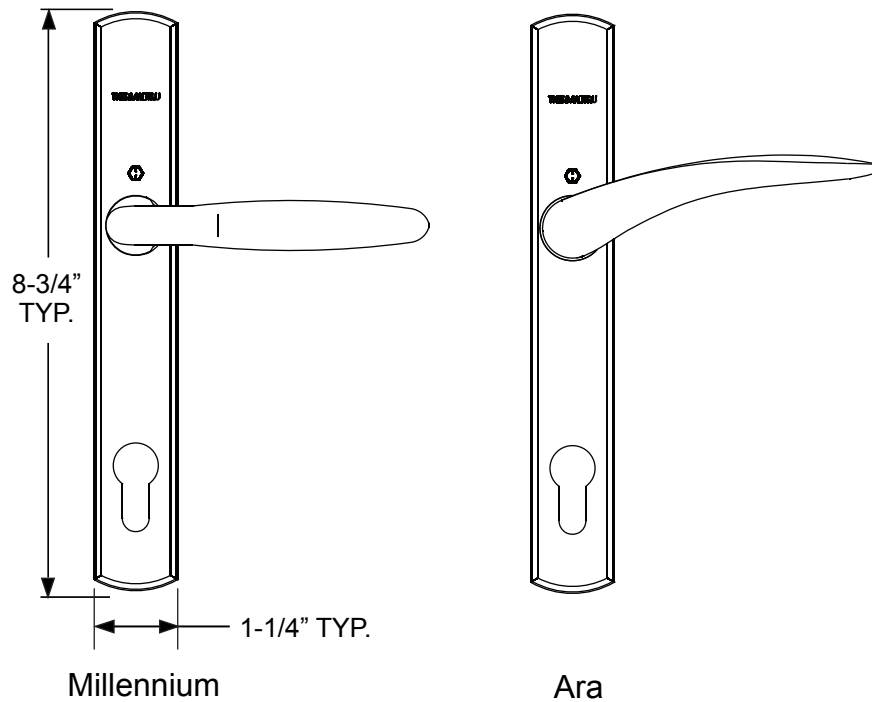
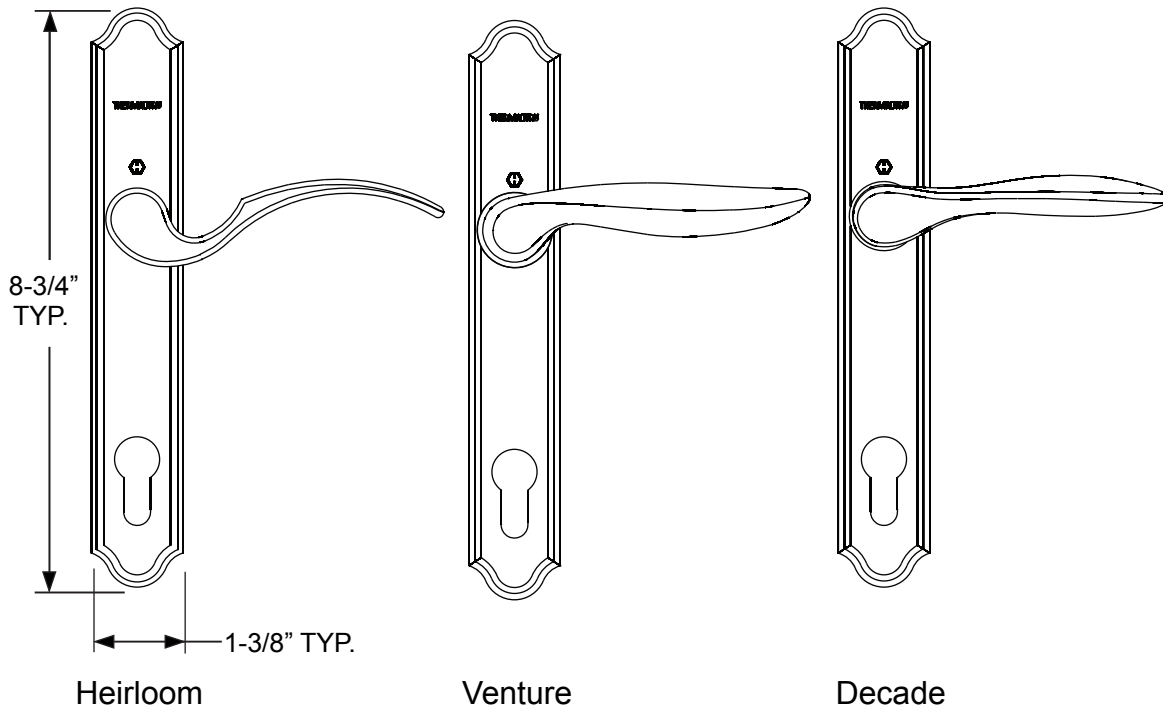


Thumb Turn



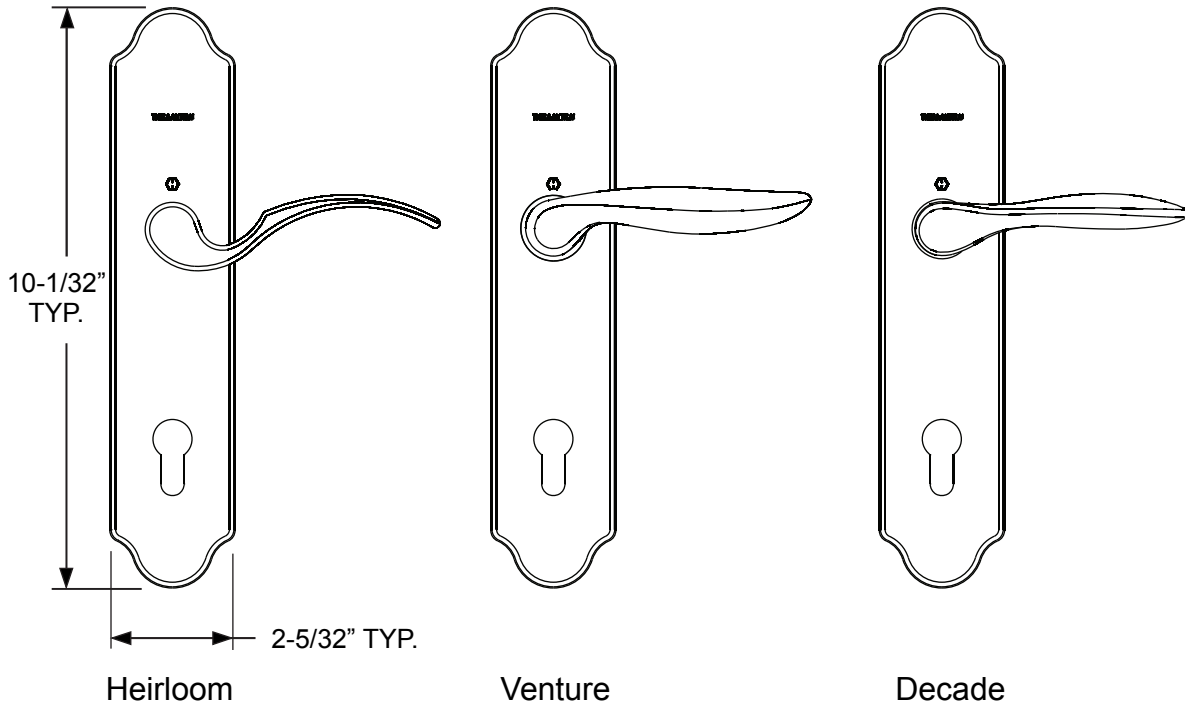
M5 x 35mm
Handle Screw

Hardware

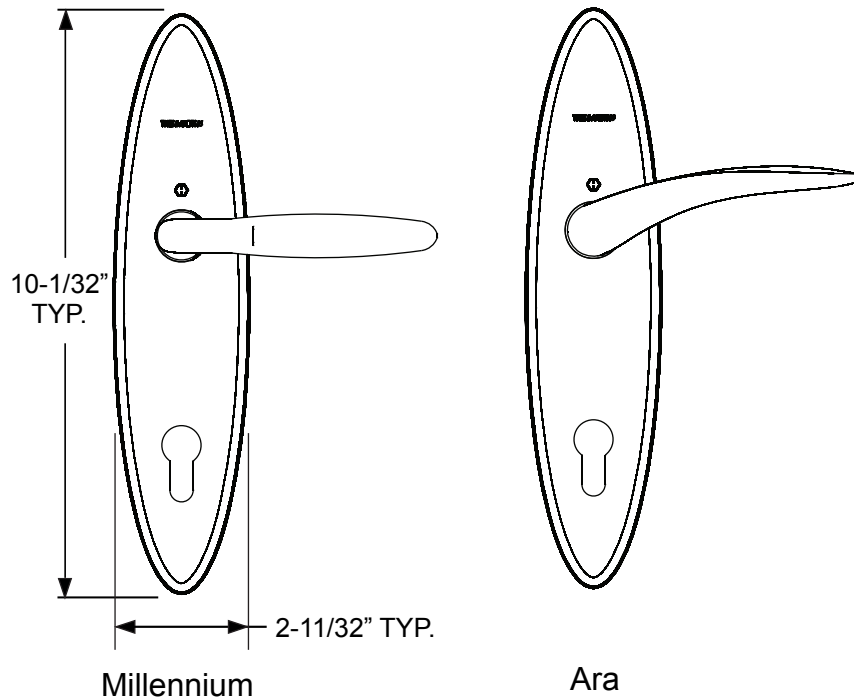


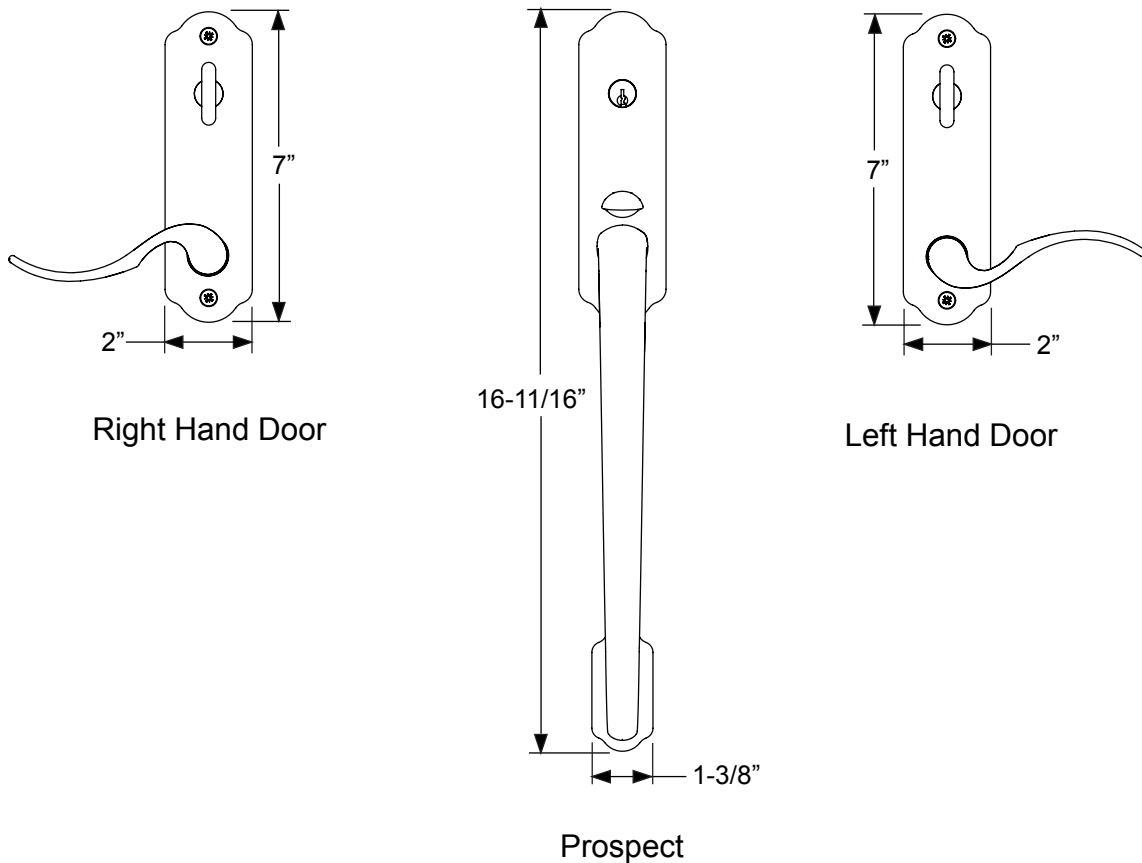
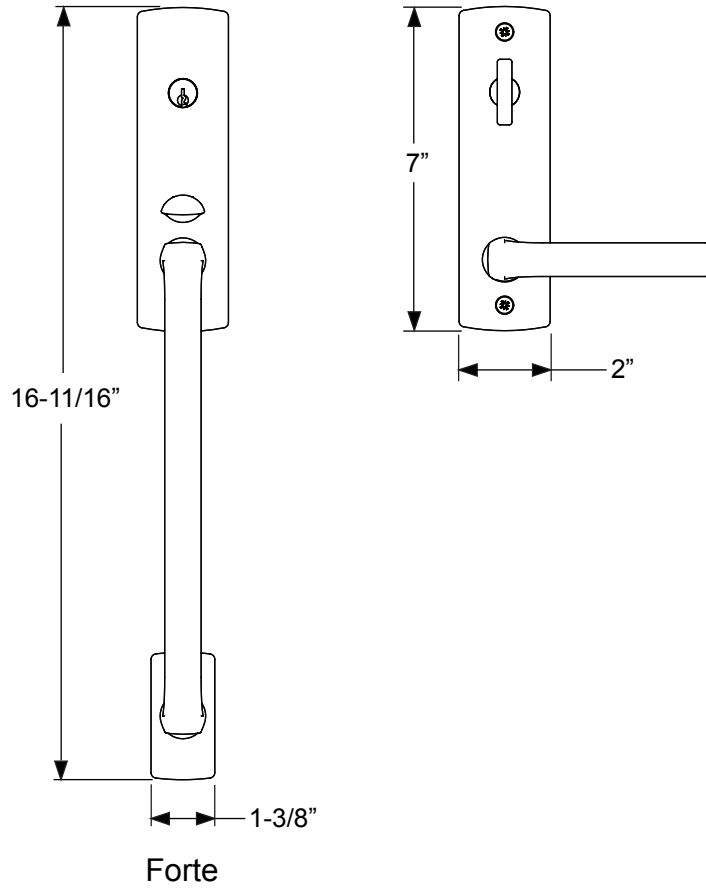
Hardware

Lever Style 60mm Multi-Point Lock - Handle / Trim



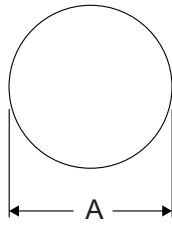
Hardware



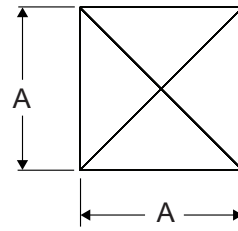


Hardware

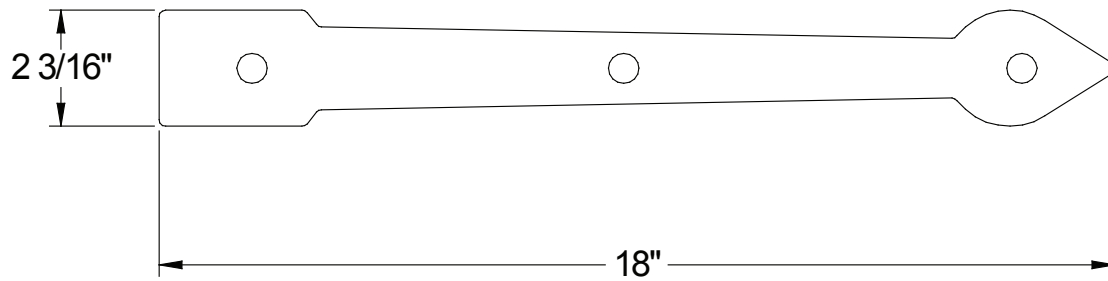
Round Clavos



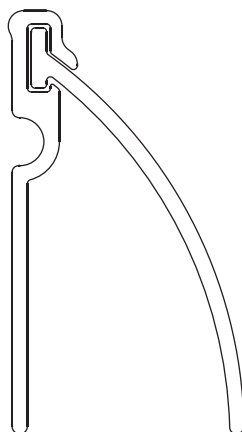
Pyramid Clavos



Strap Hinge



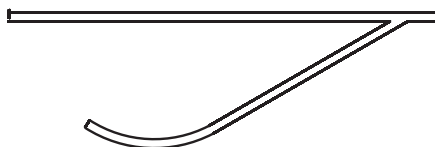
Hardware



AS ASSEMBLED

DOOR WIDTH	LENGTH
2/4	26.563
2/6	28.563
2/8	30.563
2/10	32.563
3/0	34.563

Rain Guard (Outswing)



Hardware

Size	Length
2/4	28.000"
2/6	30.000"
2/8	32.000"
2/10	34.000"
3/0	36.000"
3/6	42.000"