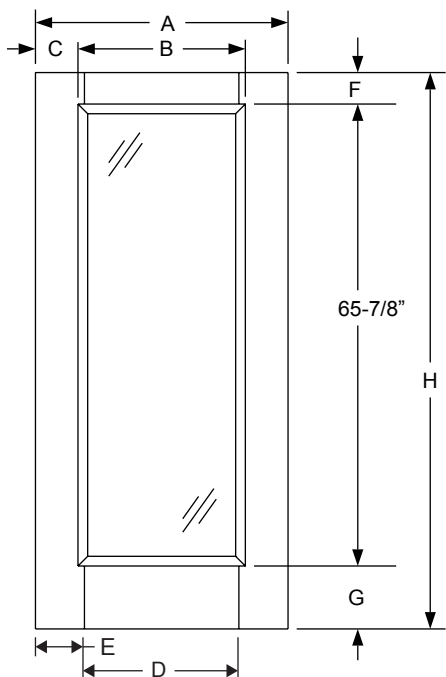


6/8 Fiber-Classic/ Smooth-Star/ Steel ..... 4.3  
8/0 Fiber-Classic/ Smooth-Star/ Steel ..... 4.47  
6/8 Pulse ..... 4.64  
8/0 Pulse ..... 4.72

Fiber-Classic/  
Smooth-Star/  
Steel Panel  
Dimensions

Fiber-Classic/  
Smooth-Star/  
Steel Panel  
Dimensions



**Full Lite w/ Stile Lines**

Daylight Opening:

2064	18-29/32" x 62-29/32"	(1189 sq.in.)
2064 Impact	18-13/16" x 62-13/16"	(1181 sq.in.)
2264	20-15/16" x 62-15/16"	(1317 sq.in.)
2264 Impact	20-13/16" x 62-13/16"	(1307 sq.in.)

Notes:

For Optional Grille Locations, See Arch 1.  
Impact Options Available.

Available in:

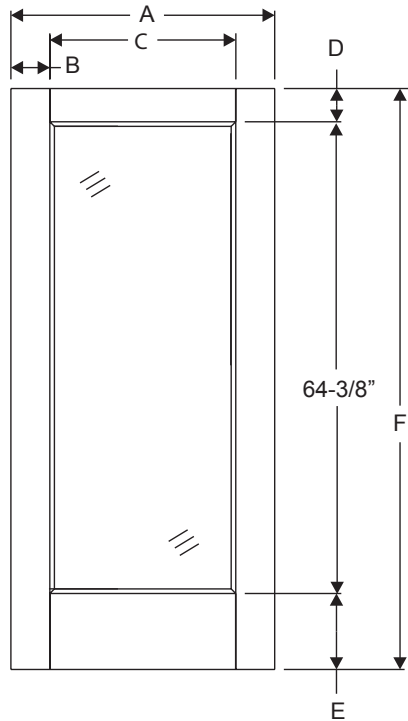
Fiber-Classic Oak  
Fiber-Classic Mahogany  
Smooth Star

Fiber-Classic/  
Smooth-Star/  
Steel Panel  
Dimensions

Width	Glass	A	B	C	D	E
2/6	2064	29-13/16"	21-29/32"	3-31/32"	21"	4-13/32"
2/8N	2064	31-13/16"	21-29/32"	4-31/32"	21"	5-13/32"
2/8	2264	31-13/16"	23-7/8"	3-31/32"	23-1/8"	4-11/32"
2/10	2264	33-13/16"	23-7/8"	4-31/32"	23-1/8"	5-11/32"
3/0	2264	35-13/16"	23-7/8"	5-31/32"	23-1/8"	6-11/32"

Height	F	G	H
6/6	4-5/32"	6-21/32"	76-11/16"
6/8	4-5/32"	9-7/32"	79-1/4"
6/8 Elevated	3-1/32"	10-11/32"	79-1/4"
7/0*	7-1/32"	10-11/32"	83-1/4"

\*Only available in Fiber-Classic Oak and Smooth-Star.



Fiber-Classic/  
Smooth-Star/  
Steel Panel  
Dimensions

## Full Lite Flush-Glazed

### Daylight Opening:

1464	14-1/4" x 63-1/8"	(899 sq.in.)
2064	19-31/32" x 63-1/8"	(1261 sq.in.)
2564	24-3/32" x 63-1/8"	(1522 sq.in.)
2765	25-31/32" x 63-3/16"	(1640 sq.in.)

### Note:

For Optional Grille Locations, See Arch 1.

### Available in:

Fiber-Classic Oak  
Smooth-Star

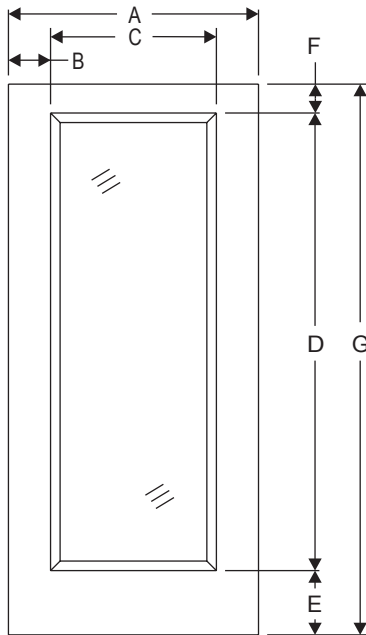
Fiber-Classic Oak				
Width	Glass	A	B	C
2/0	1464	23-13/16"	4-5/32"	15-1/2"
2/6	2064	29-13/16"	4-9/32"	21-9/32"
2/8	2064	31-13/16"	5-9/32"	21-9/32"
2/10*	2564	33-13/16"	3-5/16"	25-11/32"
3/0	2564	35-13/16"	4-5/16"	25-11/32"

\*Only available in 6/6.

Fiber-Classic Oak			
Height	D	E	F
6/6	4-23/32"	7-19/32"	76-11/16"
6/8	4-23/32"	10-3/32"	79-1/4"

Smooth-Star				
Width	Glass	A	B	C
2/0	1464	23-13/16"	4-5/32"	15-1/2"
2/6	2064	29-13/16"	4-5/16"	21-7/32"
2/8	2064	31-13/16"	5-5/16"	21-7/32"
2/10	2564	33-13/16"	4-1/4"	25-11/32"
3/0	2564	35-13/16"	5-1/4"	25-11/32"

Smooth-Star			
Height	D	E	F
6/6	4-9/16"	7-25/32"	76-11/16"
6/8	4-9/16"	10-5/16"	79-1/4"



**Full Lite Flush**

Daylight Opening:

1464	13" x 63"	(819 sq.in.)
1664	14-31/32" x 62-31/32"	(941 sq.in.)
2064	18-29/32" x 62-29/32"	(1189 sq.in.)
2264	20-15/16" x 62-15/16"	(1317 sq.in.)

Notes:

For Optional Grille Locations, See Arch 1.  
Impact Options Available.  
Noise Reduction Options Available.

Available in:

- Fiber-Classic Oak
- Fiber-Classic Mahogany
- Smooth-Star
- Profiles
- Traditions

Fiber-Classic/  
Smooth-Star/  
Steel Panel  
Dimensions

Fiber-Classic and Smooth-Star										
Width	Glass	A	B	C	D	E (6/6)	E (6/8)	E (7/0)	F (6/6, 6/8)	F (7/0)
2/0 $\Delta$	1464	23-13/16"	4-1/32"	15-3/4"	65-3/4"	6-23/32"	9-9/32"	-	4-1/8"	-
2/4 $\phi$	1664	27-13/16"	4-15/16"	17-31/32"	65-31/32"	6-5/8"	9-3/16"	-	4-1/8"	-
2/6 $\psi$	2064	29-13/16"	3-31/32"	21-29/32"	65-29/32"	6-21/32"	9-7/32"	-	4-5/32"	-
2/8N	2064	31-13/16"	4-31/32"	21-29/32"	65-29/32"	6-21/32"	9-7/32"	-	4-5/32"	-
2/8	2264	31-13/16"	3-31/32"	23-7/8"	65-7/8"	6-21/32"	9-7/32"	10-11/32"	4-5/32"	7-1/32"
2/10	2264	33-13/16"	4-31/32"	23-7/8"	65-7/8"	6-21/32"	9-7/32"	10-11/32"	4-5/32"	7-1/32"
3/0	2264	35-13/16"	5-31/32"	23-7/8"	65-7/8"	6-21/32"	9-7/32"	10-11/32"	4-5/32"	7-1/32"
3/6 $\ell$	2264	41-13/16"	8-31/32"	23-7/8"	65-7/8"	6-21/32"	9-7/32"	10-11/32"	4-5/32"	7-1/32"

Fiber-Classic and Smooth-Star	
Height	G
6/6	76-11/16"
6/8	79-1/4"
7/0	83-1/4"

$\Delta$ Only available in 6/8 Smooth-Star.

$\psi$ Not available in 7/0 Smooth-Star.

$\phi$ Only available in 6/6 and 6/8.

$\ell$ Only available in 6/8.

Profiles and Traditions										
Width	Glass	A	B	C	D	E (6/6)	E (6/8)	E (7/0)	F (6/6 & 6/8)	F (7/0)
2/0 $\ddagger$	1464	23-13/16"	4-1/32"	15-3/4"	65-3/4"	6-13/16"	9-3/8"	-	4-1/8"	-
2/0 $\ddagger$	1464 Impact	23-13/16"	3-31/32"	15-7/8"	65-7/8"	6-3/4"	9-5/16"	-	4-3/32"	-
2/4 $\ddagger$	1664	27-13/16"	4-29/32"	17-31/32"	65-31/32"	6-5/8"	9-3/16"	-	4-1/8"	-
2/6N	1664	29-13/16"	5-29/32"	17-31/32"	65-31/32"	6-5/8"	9-3/16"	-	4-1/8"	-
2/6	2064	29-13/16"	3-15/16"	21-29/32"	65-29/32"	6-21/32"	9-7/32"	10-11/32"	4-5/32"	7"
2/8N	2064	31-13/16"	4-15/16"	21-29/32"	65-29/32"	6-21/32"	9-7/32"	10-11/32"	4-5/32"	7"
2/8 $\ddagger$	2264	31-13/16"	3-31/32"	23-7/8"	65-7/8"	6-21/32"	9-7/32"	10-11/32"	4-5/32"	7-1/32"
2/10	2264	33-13/16"	4-31/32"	23-7/8"	65-7/8"	6-21/32"	9-7/32"	10-11/32"	4-5/32"	7-1/32"
3/0	2264	35-13/16"	5-31/32"	23-7/8"	65-7/8"	6-21/32"	9-7/32"	10-11/32"	4-5/32"	7-1/32"
3/6*	2264	41-13/16"	8-31/32"	23-7/8"	65-7/8"	6-21/32"	9-7/32"	10-11/32"	4-5/32"	7-1/32"

\*Only available in Profiles.

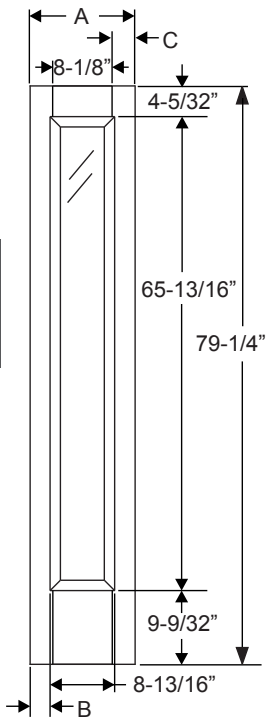
$\ddagger$ Only available in 6/8.

Profiles and Traditions	
Height	G
6/6 $\square$	76-11/16"
6/8	79-1/4"
7/0*	83-1/4"

$\square$ Only available in Traditions.

\*Only available in Profiles.

$\square$ Only available in 2/4 and 2/10.



Fiber-Classic/  
Smooth-Star/  
Steel Panel  
Dimensions

## Full Lite Sidelite w/ Stile Lines

Daylight Opening:

0764	5-15/16" x 62-15/16"	(373 sq.in.)
0764 Impact	5-13/16" x 62-13/16"	(365 sq.in.)

Note:

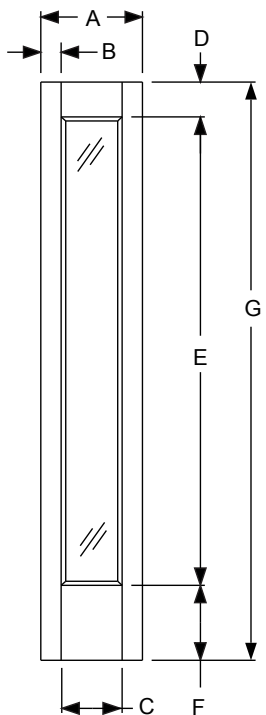
For Optional Grille Locations, See Arch 1.  
Impact Options Available.

Available in:

Fiber-Classic Oak  
Smooth-Star

Width	Glass	A	B	C
10"*	0764	9-15/16"	9/16"	29/32"
12"	0764	11-15/16"	1-9/16"	1-29/32"
14"	0764	13-15/16"	2-9/16"	2-29/32"

\*Only available in Fiber-Classic Oak.



## Full Lite Sidelite Flush-Glazed

Daylight Opening:

0764	6-1/32" x 63-1/32"	(379 sq.in.)
0864	7-1/8" x 63-1/8"	(450 sq.in.)

Note:

For Optional Grille Locations,  
See Arch 1.

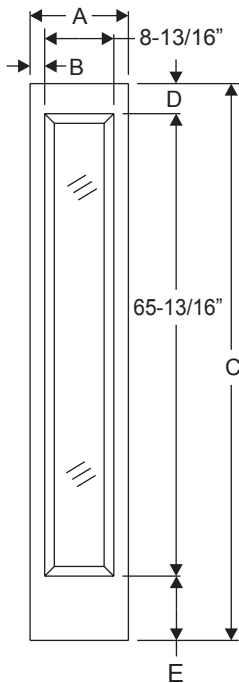
Available in:  
Fiber-Classic Oak  
Smooth-Star

Fiber-Classic Oak				
Width	Glass	A	B	C
12"	0864	11-15/16"	1-25/32"	8-3/8"
14"	0864	13-15/16"	2-25/32"	8-3/8"

Fiber-Classic Oak				
Height	D	E	F	G
6/8	5-11/32"	64-3/8"	9-17/32"	79-1/4"

Smooth-Star				
Width	Glass	A	B	C
10"	0764	9-15/16"	1-11/32"	7-1/4"
12"	0764	11-15/16"	2-11/32"	7-1/4"
14"	0764	13-15/16"	3-11/32"	7-1/4"

Smooth-Star				
Height	D	E	F	G
6/6	4-19/32"	64-1/4"	7-27/32"	76-11/16"
6/8	4-19/32"	64-1/4"	10-13/32"	79-1/4"



**Full Lite Sidelite Flush**

Daylight Opening:  
 0764 5-15/16" x 62-15/16" (373 sq.in.)  
 0764 Impact 5-13/16" x 62-13/16" (365 sq.in.)

Note:  
 For Optional Grille Locations, See Arch 1.  
 Impact Options Available.

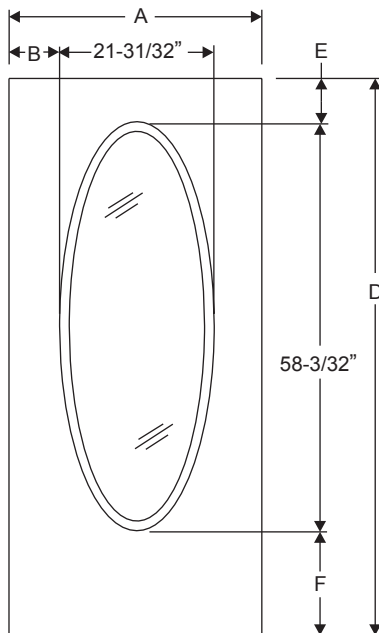
Available in:  
 Fiber-Classic Oak  
 Fiber-Classic Mahogany  
 Smooth-Star  
 Traditions

Fiber-Classic/  
 Smooth-Star/  
 Steel Panel  
 Dimensions

Width	Glass	A	B
10"*◇	0764	9-15/16"	9/16"
12"	0764	11-15/16"	1-9/16"
14"	0764	13-15/16"	2-9/16"

Height	C	D	E
6/6	76-11/16"	4-5/32"	6-23/32"
6/8	79-1/4"	4-5/32"	9-9/32"
7/0	79-1/4"	7-1/16"	10-3/8"

\*Only available in 6/8.  
 ◇Not available in Fiber-Classic Oak.



**Full Oval Lite Flush**

Daylight Opening:  
 2056V 19-7/32" x 55-11/32" (846 sq.in.)

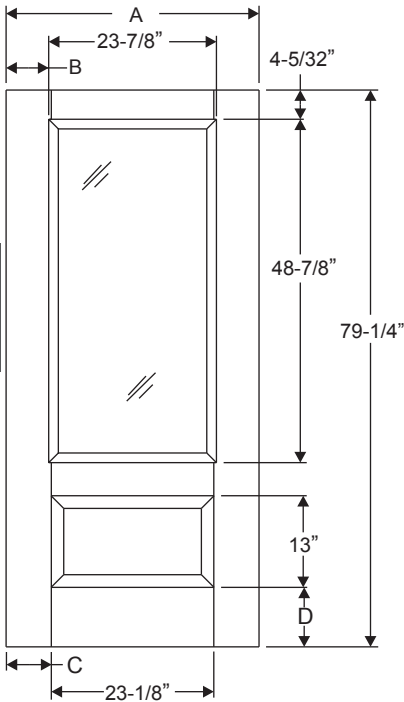
Available in:  
 Fiber-Classic Oak  
 Fiber-Classic Mahogany  
 Smooth-Star  
 Profiles  
 Traditions

Width	Glass	A	B
2/6◇	2056V	29-13/16"	3-15/16"
2/8	2056V	31-13/16"	4-15/16"
2/10	2056V	33-13/16"	5-15/16"
3/0	2056V	35-13/16"	6-15/16"
3/6*	2056V	41-13/16"	9-15/16"

\*Only available in Profiles and 6/8 Smooth-Star.  
 ◇Not available in 7/0 Smooth-Star.

Height	D	E	F
6/6□	76-11/16"	6-17/32"	12-1/16"
6/8	79-1/4"	6-17/32"	14-5/8"
7/0△	83-1/4"	9-3/8"	15-25/32"

□Traditions only available in 2/10.  
 △Not available in Traditions.



Fiber-Classic/  
Smooth-Star/  
Steel Panel  
Dimensions

## 3/4 Lite 1 Panel

### Daylight Opening:

2247	21-1/8" x 46-1/8"	(974 sq.in.)
2247 Impact	20-13/16" x 45-13/16"	(954 sq.in.)

### Notes:

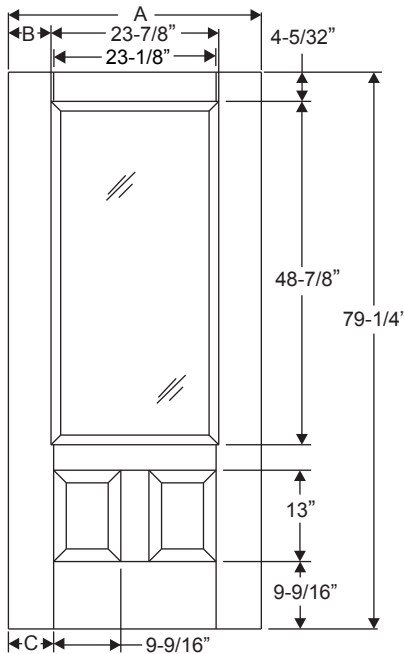
For Optional Grille Locations, See Arch 1.  
Impact Options Available.

### Available in:

Fiber-Classic Oak  
Smooth-Star

Width	Glass	A	B	C
2/8	2247	31-13/16"	3-31/32"	4-11/32"
2/10	2247	33-13/16"	4-31/32"	5-11/32"
3/0	2247	35-13/16"	5-31/32"	6-11/32"

Door Collection	D
Fiber-Classic Oak	8-3/8"
Smooth-Star	9-9/16"



## 3/4 Lite 2 Panel

### Daylight Opening:

2247	21-1/8" x 46-1/8"	(974 sq.in.)
2247 Impact	20-13/16" x 45-13/16"	(954 sq.in.)

### Notes:

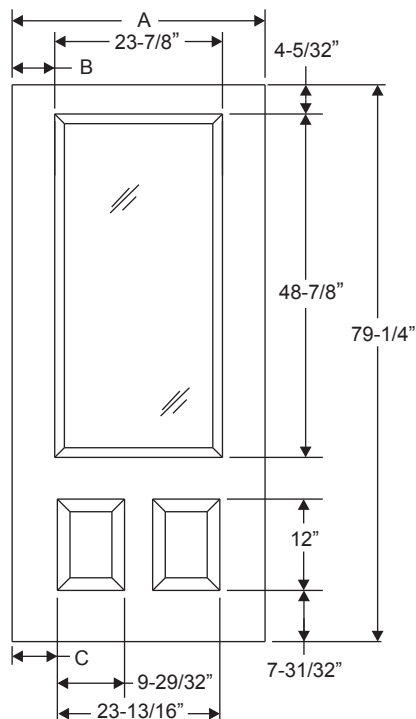
For Optional Grille Locations, See Arch 1.  
Impact Options Available.

### Available in:

Fiber-Classic Oak  
Fiber-Classic Mahogany  
Smooth-Star

Width	Glass	A	B	C
2/8	2247	31-13/16"	3-31/32"	4-11/32"
2/10	2247	33-13/16"	4-31/32"	5-11/32"
3/0	2247	35-13/16"	5-31/32"	6-11/32"





**3/4 Lite 2 Panel Flush**

Daylight Opening:

2247	21-1/8" x 46-1/8"	(974 sq.in.)
2247 Impact	20-13/16" x 45-13/16"	(954 sq.in.)

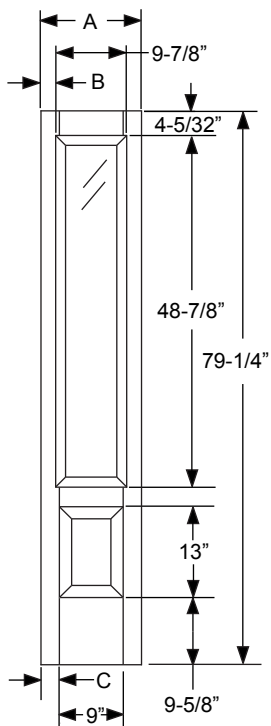
Notes:

For Optional Grille Locations, See Arch 1.  
Impact Options Available.

Available in:  
Profiles

Fiber-Classic/  
Smooth-Star/  
Steel Panel  
Dimensions

Width	Glass	A	B	C
2/8	2247	31-13/16"	3-31/32"	4"
2/10	2247	33-13/16"	4-31/32"	5"
3/0	2247	35-13/16"	5-31/32"	6"



**3/4 Lite Sidelite 1 Panel**

Daylight Opening:

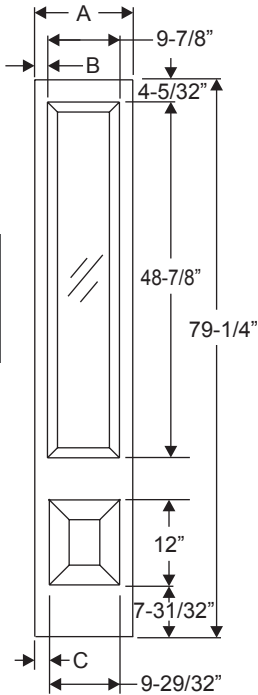
0847	6-15/16" x 45-15/16"	(318 sq.in.)
0847 Impact	6-13/16" x 45-11/16"	(312 sq.in.)

Note:

For Optional Grille Locations, See Arch 1.  
Impact Options Available.

Available in:  
Fiber-Classic Oak  
Fiber-Classic Mahogany  
Smooth-Star

Width	Glass	A	B	C
12"	0847	11-15/16"	1-1/32"	1-15/32"
14"	0847	13-15/16"	2-1/32"	2-15/32"



Fiber-Classic/  
Smooth-Star/  
Steel Panel  
Dimensions

**3/4 Lite Sidelite 1 Panel Flush**

Daylight Opening:

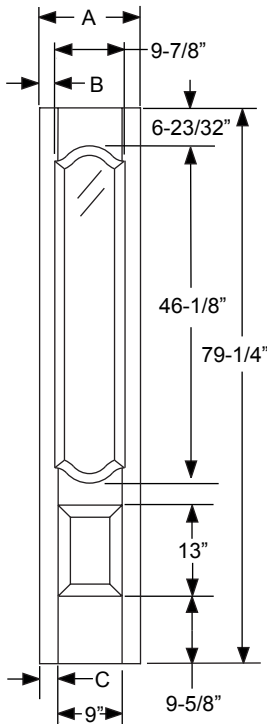
0847	6-15/16" x 45-15/16"	(318 sq.in.)
0847 Impact	6-13/16" x 45-11/16"	(312 sq.in.)

Note:

For Optional Grille Locations, See Arch 1.  
Impact Options Available.

Available in:  
Profiles

Width	Glass	A	B	C
12"	0847	11-15/16"	1-1/32"	1"
14"	0847	13-15/16"	2-1/32"	2"



**3/4 Scroll Lite Sidelite 1 Panel**

Daylight Opening:

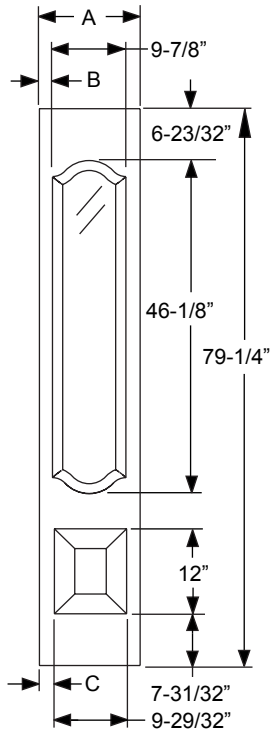
0844S	7-1/8" x 43-3/8"	(289 sq.in.)
-------	------------------	--------------

Note:

For Optional Grille Locations,  
See Arch 1.

Available in:  
Fiber-Classic Oak  
Fiber-Classic Mahogany  
Smooth-Star

Width	Glass	A	B	C
12"	0844S	11-15/16"	1-1/32"	1-15/32"
14"	0844S	13-15/16"	2-1/32"	2-15/32"



**3/4 Scroll Sidelite 1 Panel Flush**

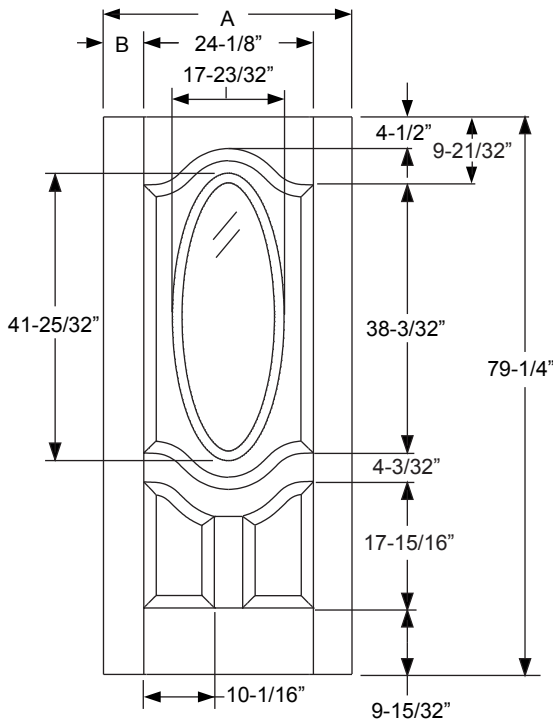
Daylight Opening:  
0844S 7-1/8" x 43-3/8" (289 sq.in.)

Note:  
For Optional Grille Locations,  
See Arch 1.

Available in:  
Profiles

Fiber-Classic/  
Smooth-Star/  
Steel Panel  
Dimensions

Width	Glass	A	B	C
12"	0844S	11-15/16"	1-1/32"	1"
14"	0844S	13-15/16"	2-1/32"	2"

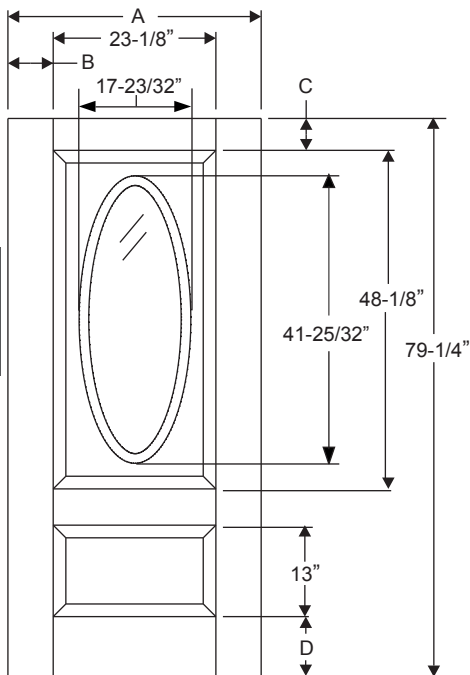


**3/4 Deluxe Oval Lite 2 Panel**

Daylight Opening:  
1640V 14-23/32" x 38-25/32" (442 sq.in.)

Available in:  
Fiber-Classic Oak  
Fiber-Classic Mahogany  
Smooth-Star

Width	Glass	A	B
2/8	1640V	31-13/16"	3-27/32"
2/10	1640V	33-13/16"	4-27/32"
3/0	1640V	35-13/16"	5-27/32"



Fiber-Classic/  
Smooth-Star/  
Steel Panel  
Dimensions

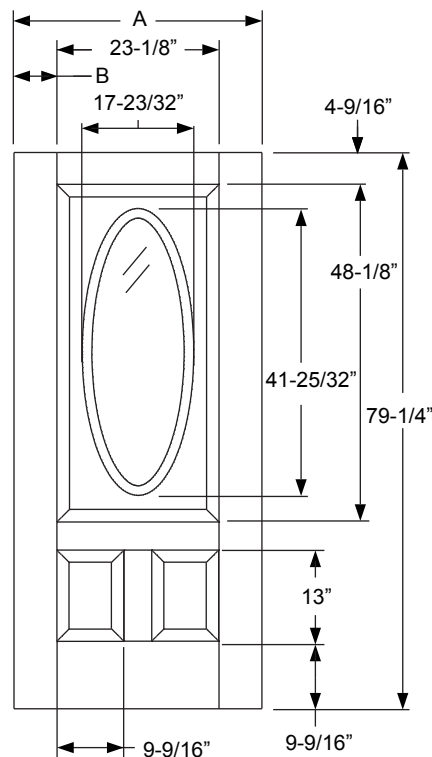
## 3/4 Captured Oval Lite 1 Panel

Daylight Opening:  
1640V 14-23/32" x 38-25/32" (442 sq.in.)

Available in:  
Fiber-Classic Oak  
Smooth-Star

Fiber-Classic Oak					
Width	Glass	A	B	C	D
2/8	1640V	31-13/16"	4-11/32"	4-17/32"	8-3/8"
2/10	1640V	33-13/16"	5-11/32"	4-17/32"	8-3/8"
3/0	1640V	35-13/16"	6-11/32"	4-17/32"	8-3/8"

Smooth-Star					
Width	Glass	A	B	C	D
2/8	1640V	31-13/16"	4-11/32"	4-9/16"	9-9/16"
2/10	1640V	33-13/16"	5-11/32"	4-9/16"	9-9/16"
3/0	1640V	35-13/16"	6-11/32"	4-9/16"	9-9/16"

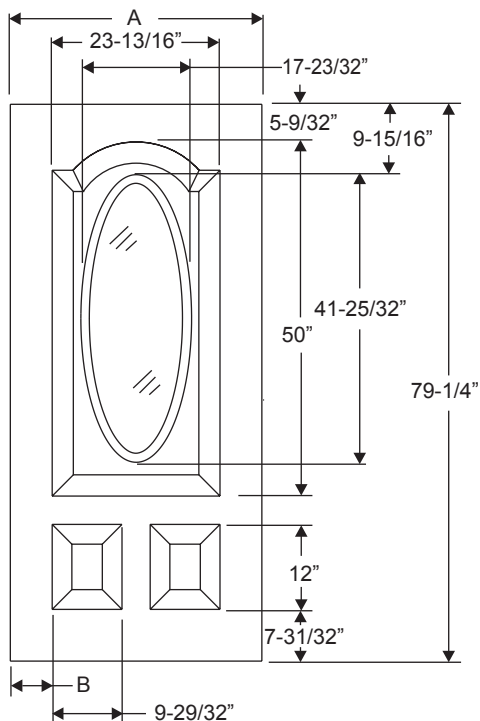


## 3/4 Captured Oval Lite 2 Panel

Daylight Opening:  
1640V 14-23/32" x 38-25/32" (442 sq.in.)

Available in:  
Fiber-Classic Oak  
Fiber-Classic Mahogany  
Smooth-Star

Width	Glass	A	B
2/8	1640V	31-13/16"	4-11/32"
2/10	1640V	33-13/16"	5-11/32"
3/0	1640V	35-13/16"	6-11/32"



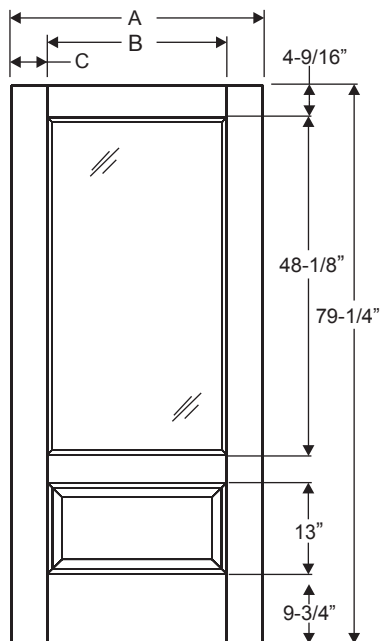
**3/4 Scroll Top Oval 2 Panel Flush**

Daylight Opening:  
1640V 14-23/32" x 38-25/32" (442 sq.in.)

Available in:  
Profiles

Fiber-Classic/  
Smooth-Star/  
Steel Panel  
Dimensions

Width	Glass	A	B
2/8	1640V	31-13/16"	4"
2/10	1640V	33-13/16"	5"
3/0	1640V	35-13/16"	6"



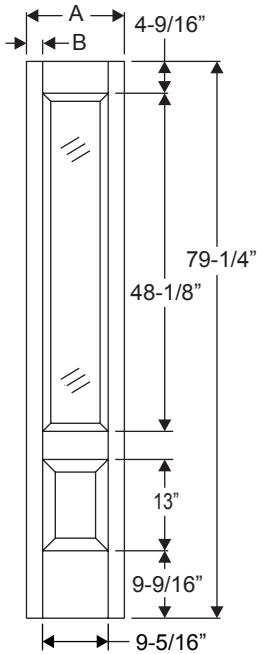
**3/4 Lite 1 Panel Flush-Glazed**

Daylight Opening:  
2148 20-3/32" x 46-7/8" (943 sq.in.)  
2548 24-3/32" x 46-7/8" (1130 sq.in.)

Note:  
For Optional Grille Locations, See Arch 1.

Available in:  
Smooth-Star

Width	Glass	A	B	C
2/6	2148	29-13/16"	21-11/32"	4-7/32"
2/8	2148	31-13/16"	21-11/32"	5-7/32"
2/10	2548	33-13/16"	25-11/32"	4-7/32"
3/0	2548	35-13/16"	25-11/32"	5-7/32"



**3/4 Lite Sidelite 1 Panel Flush-Glazed**

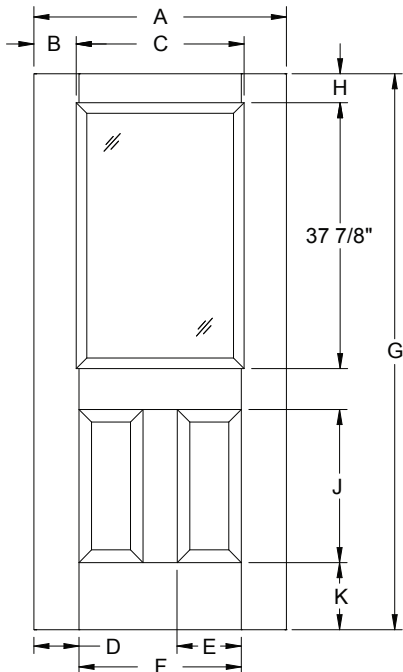
Daylight Opening:  
0847 7-1/32" x 45-27/32" (323 sq.in.)

Note:  
For Optional Grille Locations,  
See Arch 1.

Available in:  
Smooth-Star

Width	Glass	A	B
12"	0847	11-15/16"	1-5/16"
14"	0847	13-15/16"	2-5/16"

Fiber-Classic/  
Smooth-Star/  
Steel Panel  
Dimensions



**Half Lite 2 Panel**

Daylight Opening:  
2036 19-1/8" x 35-1/8" (672 sq.in.)  
2036 Impact 18-13/16" x 34-13/16" (655 sq.in.)  
2236 20-29/32" x 34-29/32" (729 sq.in.)  
2236 Impact 20-13/16" x 34-13/16" (725 sq.in.)

Notes:  
For Optional Grille Locations,  
See Arch 1.  
Impact Options Available.

Available in:  
Fiber-Classic Oak  
Fiber-Classic Mahogany  
Smooth-Star

Width	Glass	A	B	C	D	E	F
2/6◇△	2236	29-13/16"	2-31/32"	23-7/8"	3-11/32"	9-1/8"	23-1/8"
2/6N◇□	2036	29-13/16"	3-31/32"	21-7/8"	4-13/32"	8-13/16"	21"
2/8	2236	31-13/16"	3-31/32"	23-7/8"	4-11/32"	9-1/8"	23-1/8"
2/8N◇□	2036	31-13/16"	4-31/32"	21-7/8"	5-13/32"	8-13/16"	21"
2/10	2236	33-13/16"	4-31/32"	23-7/8"	5-11/32"	9-1/8"	23-1/8"
3/0	2236	35-13/16"	5-31/32"	23-7/8"	6-11/32"	9-1/8"	23-1/8"

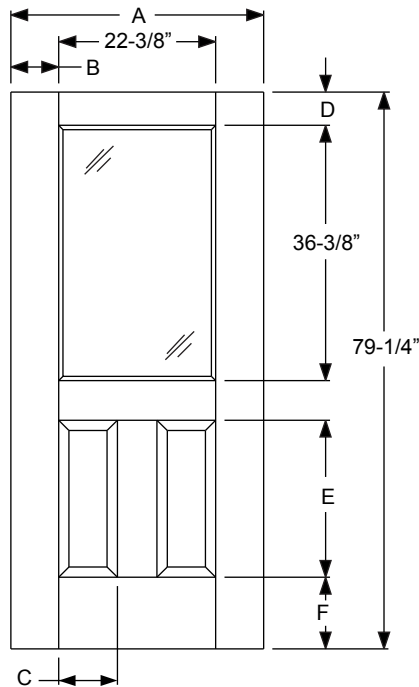
◇ Only available in 6/8.

□ Only available in Fiber-Classic Oak.

△ Only available in Fiber-Classic Oak and Smooth-Star.

Smooth-Star				
Height	G	H	J	K
6/8	79-1/4"	4-5/32"	21-13/16"	9-9/16"
6/8 Elevated	79-1/4"	4-5/32"	20-21/32"	10-23/32"
7/0	83-1/4"	7"	21-13/16"	10-23/32"

Fiber-Classic Oak				
Height	G	H	J	K
6/8	79-1/4"	4-5/32"	21-13/16"	9-9/16"
6/8 Elevated	79-1/4"	3"	21-13/16"	10-23/32"
7/0	83-1/4"	7"	21-13/16"	10-23/32"



**Half Lite 2 Panel Flush-Glazed**

Daylight Opening:  
2236 21-1/8" x 35-1/8" (741 sq.in.)

Note:  
For Optional Grille Locations, See Arch 1.

Available in:  
Fiber-Classic Oak  
Smooth-Star

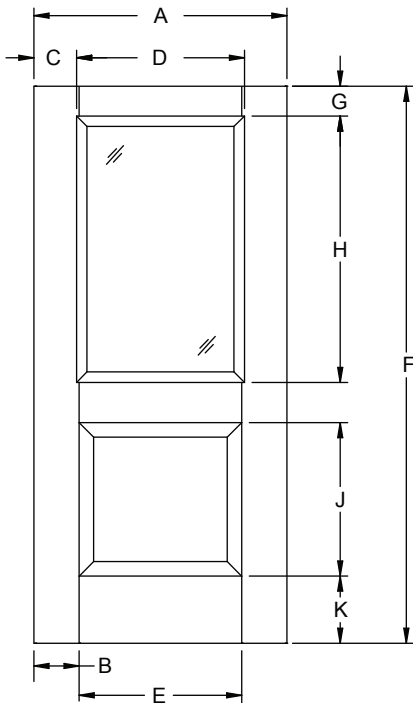
Fiber-Classic/  
Smooth-Star/  
Steel Panel  
Dimensions

Fiber-Classic Oak				
Width	Glass	A	B	C
2/6	2236	29-13/16"	3-23/32"	8-3/8"
2/8	2236	31-13/16"	4-23/32"	8-3/8"
3/0	2236	35-13/16"	6-23/32"	8-3/8"

Smooth-Star				
Width	Glass	A	B	C
2/6	2236	29-13/16"	3-23/32"	9-1/8"
2/8	2236	31-13/16"	4-23/32"	9-1/8"
3/0	2236	35-13/16"	6-23/32"	9-1/8"

Fiber-Classic Oak			
Height	D	E	F
6/8	4-23/32"	22-3/8"	10-5/32"

Smooth-Star			
Height	D	E	F
6/8	4-1/2"	21-13/16"	9-9/16"



**Half Lite 1 Panel**

Daylight Opening:  
2236 20-29/32" x 34-29/32" (729 sq.in.)  
2236 Impact 20-13/16" x 34-13/16" (725 sq.in.)

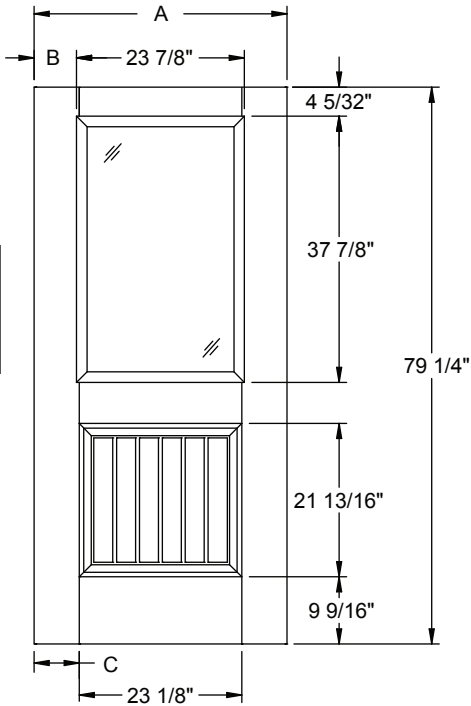
Notes:  
For Optional Grille Locations, See Arch 1.  
Impact Options Available.

Available in:  
Fiber-Classic Mahogany  
Smooth-Star

Width	Glass	A	B	C	D	E
2/8	2236	31-13/16"	4-11/32"	3-31/32"	23-7/8"	23-1/8"
2/10	2236	33-13/16"	5-11/32"	4-31/32"	23-7/8"	23-1/8"
3/0	2236	35-13/16"	6-11/32"	5-31/32"	23-7/8"	23-1/8"

Height	F	G	H	J	K
6/8	79-1/4"	4-5/32"	37-7/8"	21-13/16"	9-9/16"
6/8 Elevated*	79-1/4"	4-5/32"	37-1/8"	20-21/32"	10-23/32"
7/0*	83-1/4"	7"	37-1/8"	21-13/16"	10-23/32"

\*Only available in Smooth-Star.



Fiber-Classic/  
Smooth-Star/  
Steel Panel  
Dimensions

**Half Lite 1 Panel Plank**

Daylight Opening:

2236	20-29/32" x 34-29/32"	(729 sq.in.)
2236 Impact	20-13/16" x 34-13/16"	(725 sq.in.)

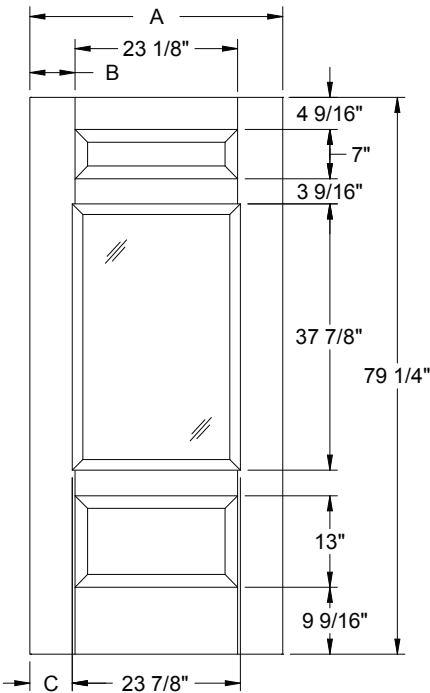
Notes:

For Optional Grille Locations, See Arch 1.  
Impact Options Available.

Available in:

Fiber-Classic Mahogany  
Smooth-Star

Width	Glass	A	B	C
2/8	2236	31-13/16"	3-15/16"	4-11/32"
2/10	2236	33-13/16"	4-15/16"	5-11/32"
3/0	2236	35-13/16"	5-15/16"	6-11/32"



**Half Lite 1 Panel Top & Bottom**

Daylight Opening:

2236	20-29/32" x 34-29/32"	(729 sq.in.)
2236 Impact	20-13/16" x 34-13/16"	(725 sq.in.)

Notes:

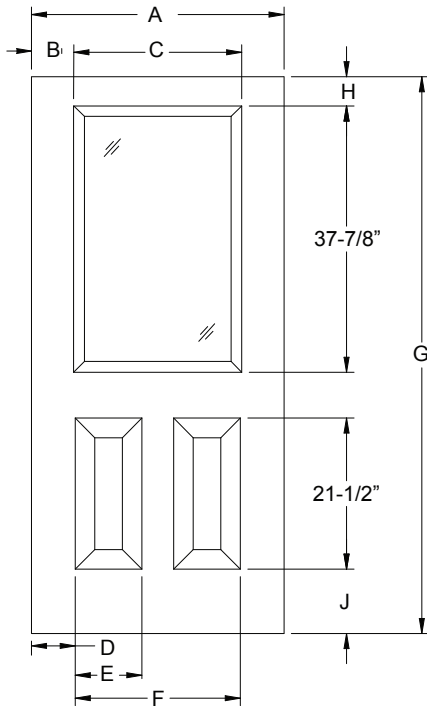
For Optional Grille Locations, See Arch 1.  
Impact Options Available.

Available in:

Smooth-Star

Width	Glass	A	B	C
2/8	2236	31-13/16"	4-11/32"	3-15/16"
2/10	2236	33-13/16"	5-11/32"	4-15/16"
3/0	2236	35-13/16"	6-11/32"	5-15/16"





**Half Lite 2 Panel Flush**

Daylight Opening:

2036	19-1/8" x 35-1/8"	(672 sq.in.)
2036 Impact	18-13/16" x 34-13/16"	(655 sq.in.)
2236	20-29/32" x 34-29/32"	(729 sq.in.)
2236 Impact	20-13/16" x 34-13/16"	(725 sq.in.)

Notes:

For Optional Grille Locations, See Arch 1.  
Impact Options Available.

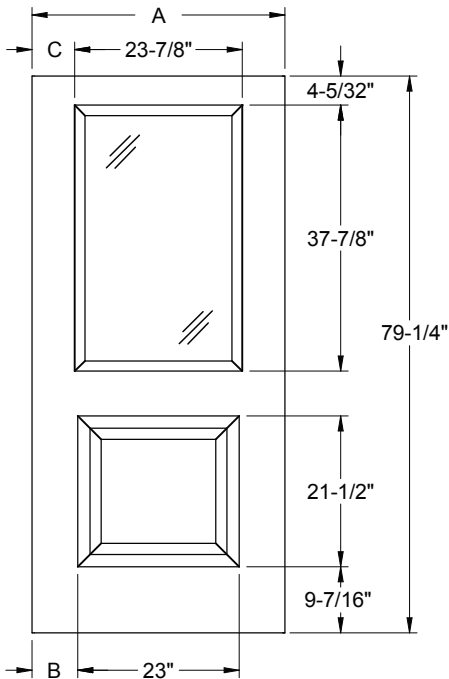
Available in:  
Profiles  
Traditions

Fiber-Classic/  
Smooth-Star/  
Steel Panel  
Dimensions

Width	Glass	A	B	C	D	E	F
2/6N	2036	29-13/16"	3-31/32"	21-7/8"	4-15/32"	8-7/32"	20-7/8"
2/8	2236	31-13/16"	3-31/32"	23-7/8"	4-5/32"	9-1/2"	23-1/2"
2/10	2236	33-13/16"	4-31/32"	23-7/8"	5-5/32"	9-1/2"	23-1/2"
3/0	2236	35-13/16"	5-31/32"	23-7/8"	6-5/32"	9-1/2"	23-1/2"

Height	G	H	H (2/6)	J
6/8	79-1/4"	4-5/32"	4-5/32"	9-5/16"
7/0*	83-1/4"	7"	4-5/32"	13-5/16"

\*Only available in Profiles.



**Half Lite 1 Panel Flush**

Daylight Opening:

2236	20-29/32" x 34-29/32"	(729 sq.in.)
2236 Impact	20-13/16" x 34-13/16"	(725 sq.in.)

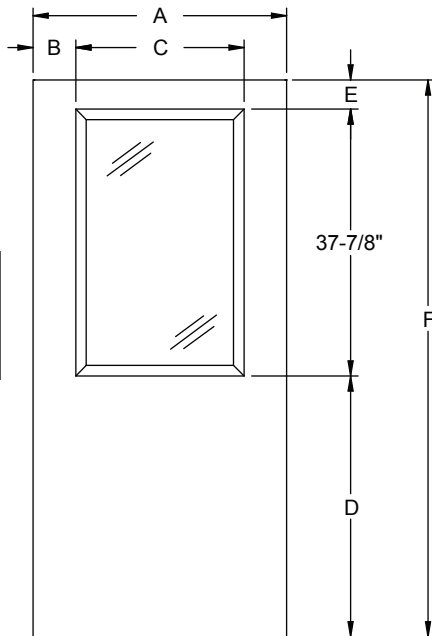
Notes:

For Optional Grille Locations, See Arch 1.  
Impact Options Available.

Available in:  
Profiles

Width	Glass	A	B	C
2/8	2236	31-13/16"	4-13/32"	3-15/16"
2/10	2236	33-13/16"	5-13/32"	4-15/16"
3/0	2236	35-13/16"	6-13/32"	5-15/16"

## Half Lite Flush



Fiber-Classic/  
Smooth-Star/  
Steel Panel  
Dimensions

### Daylight Opening:

2036	19-1/8" x 35-1/8"	(672 sq.in.)
2036 Impact	18-13/16" x 34-13/16"	(655 sq.in.)
2236	20-29/32" x 34-29/32"	(729 sq.in.)
2236 Impact	20-13/16" x 34-13/16"	(725 sq.in.)

### Notes:

For Optional Grille Locations, See Arch 1.  
Impact Options Available.

### Available in:

Fiber-Classic Mahogany  
Fiber-Classic Oak  
Smooth-Star  
Profiles  
Traditions

Width	Glass	A	B	C
2/4 $\phi$	2036	27-13/16"	2-31/32"	21-7/8"
2/6 $\nabla$	2036	29-13/16"	3-31/32"	21-7/8"
2/8 $\square\Delta$	2236	31-13/16"	3-31/32"	23-7/8"
2/10 $\square$	2236	33-13/16"	4-31/32"	23-7/8"
3/0	2236	35-13/16"	5-31/32"	23-7/8"
3/6 $\text{t}$	2236	41-13/16"	8-31/32"	23-7/8"

Height	D	E	F
6/6 $\diamond$	34-21/32"	4-5/32"	76-11/16"
6/8	37-3/16"	4-5/32"	79-1/4"
7/0*	38-11/32"	7"	83-1/4"

\*Not available in Traditions.

$\diamond$ Only available in 2/10 Traditions.

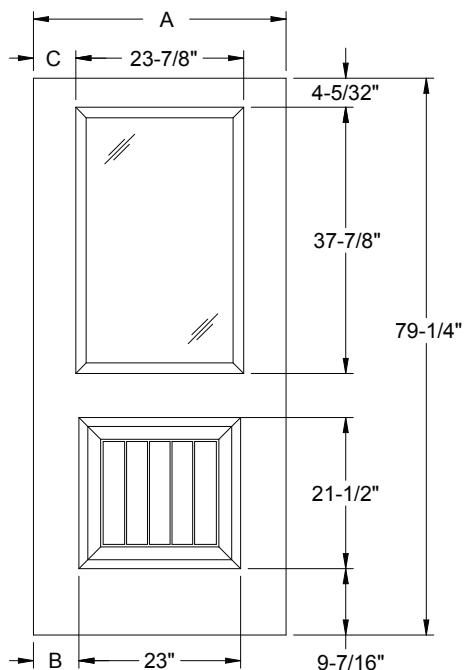
$\square$ Not available in 6/8 Fiber-Classic Mahogany.

$\phi$ Only available in 6/8.

$\nabla$ Not available in 7/0 Smooth-Star.

$\Delta$ Not available in Profiles

$\text{t}$ Only available in Profiles and Traditions



**Half Lite 1 Panel Plank Flush**

Daylight Opening:

2236	20-29/32" x 34-29/32"	(729 sq.in.)
2236 Impact	20-13/16" x 34-13/16"	(725 sq.in.)

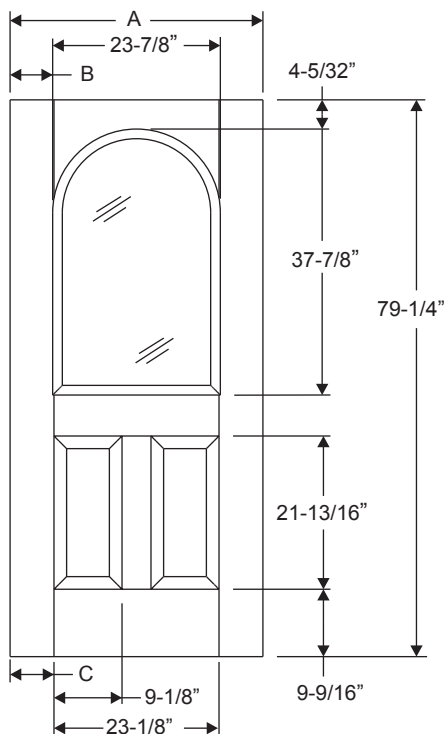
Notes:

For Optional Grille Locations, See Arch 1.  
Impact Options Available.

Fiber-Classic/  
Smooth-Star/  
Steel Panel  
Dimensions

Available in:  
Profiles

Width	Glass	A	B	C
2/8	2236	31-13/16"	4-13/32"	3-15/16"
2/10	2236	33-13/16"	5-13/32"	4-15/16"
3/0	2236	35-13/16"	6-13/32"	5-15/16"



**Half Lite RT 2 Panel**

Daylight Opening:

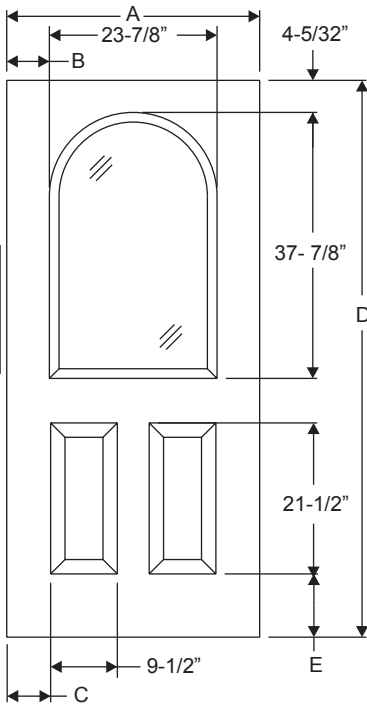
2236R	21-1/8" x 35-1/8"	(694 sq.in.)
-------	-------------------	--------------

Note:

For Optional Grille Locations, See Arch 1.

Available in:  
Smooth-Star

Width	Glass	A	B	C
2/8	2236R	31-13/16"	3-31/32"	4-11/32"
2/10	2236R	33-13/16"	4-31/32"	5-11/32"
3/0	2236R	35-13/16"	5-31/32"	6-11/32"



Fiber-Classic/  
Smooth-Star/  
Steel Panel  
Dimensions

## Half Lite RT 2 Panel Flush

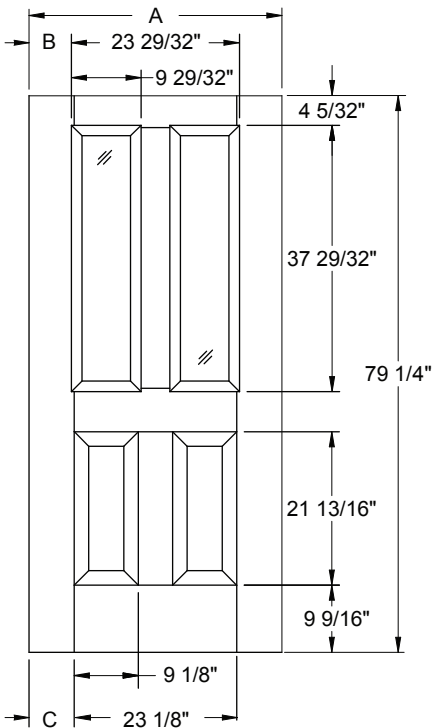
Daylight Opening:  
2236R 21-1/8" x 35-1/8" (694 sq.in.)

Note:  
For Optional Grille Locations, See Arch 1.

Available in:  
Profiles  
Traditions

Width	Glass	A	B	C
2/8	2236R	31-13/16"	3-31/32"	4-5/32"
2/10	2236R	33-13/16"	4-31/32"	5-5/32"
3/0	2236R	35-13/16"	5-31/32"	6-5/32"

Height	D	E
6/8	79-1/4"	9-5/16"
7/0	83-1/4"	13-5/16"



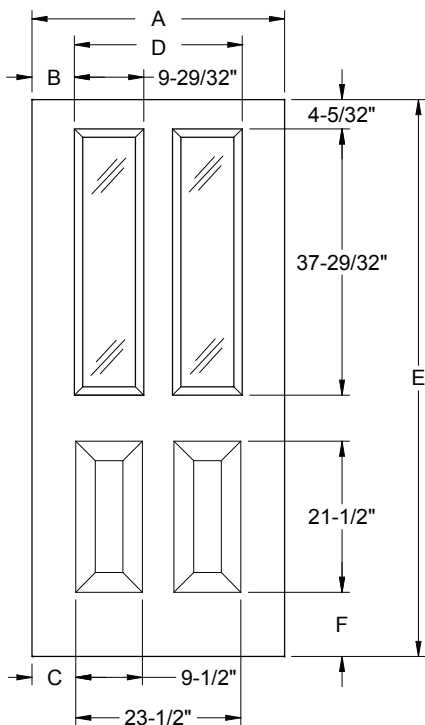
## Twin Half Lite 2 Panel

Daylight Opening:  
0836 6-29/32" x 34-29/32" (241 sq.in. per lite)  
(482 sq. in. total)

Note:  
For Optional Grille Locations, See Arch 1.

Available in:  
Fiber-Classic Oak  
Smooth-Star

Width	Glass	A	B	C
2/8	0836	31-13/16"	3-15/16"	4-11/32"
2/10	0836	33-13/16"	4-15/16"	5-11/32"
3/0	0836	35-13/16"	5-15/16"	6-11/32"



**Twin Half Lite 2 Panel Flush**

Daylight Opening:  
0836 6-29/32" x 34-29/32" (241 sq.in. per lite)  
(482 sq.in. total)

Notes:  
For Optional Grille Locations, See Arch 1.

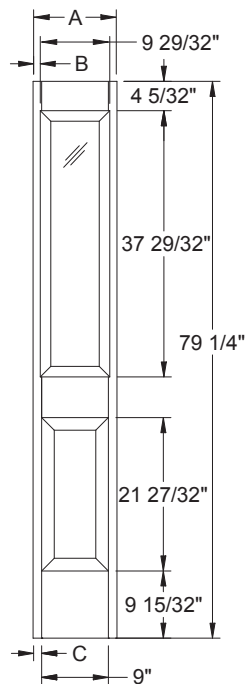
Available in:  
Profiles  
Traditions

Fiber-Classic/  
Smooth-Star/  
Steel Panel  
Dimensions

Width	Glass	A	B	C	D
2/6N	0836	29-13/16"	3-5/8"	3-5/32"	22-9/16"
2/8	0836	31-13/16"	3-15/16"	4-5/32"	23-29/32"
2/10	0836	33-13/16"	4-15/16"	5-5/32"	23-29/32"
3/0	0836	35-13/16"	5-15/16"	6-5/32"	23-29/32"

Height	E	F
6/8	79-1/4"	9-5/16"
7/0*	83-1/4"	13-5/16"

\*Only available in Profiles.



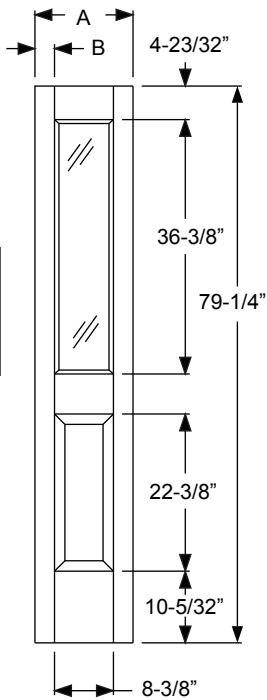
**Half Lite Sidelite 1 Panel**

Daylight Opening:  
0836 6-29/32" x 34-29/32" (241 sq.in.)  
0836 Impact 6-13/16" x 34-13/16" (237 sq.in.)

Available in:  
Fiber-Classic Oak  
Fiber-Classic Mahogany  
Smooth-Star

Note:  
For Optional Grille Locations,  
See Arch 1.

Width	Glass	A	B	C
12"	0836	11-15/16"	1-1/32"	1-15/32"
14"	0836	13-15/16"	2-1/32"	2-15/32"



Fiber-Classic/  
Smooth-Star/  
Steel Panel  
Dimensions

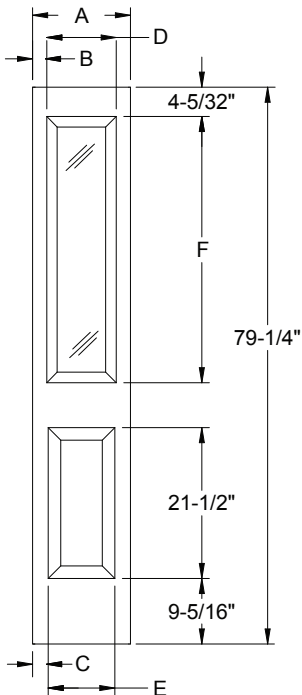
**Half Lite Sidelite 1 Panel Flush-Glazed**

Daylight Opening:  
0836 7-1/8" x 35-1/8" (250 sq.in.)

Note:  
For Optional Grille Locations,  
See Arch 1.

Available in:  
Fiber-Classic Oak

Width	Glass	A	B
12"	0836	11-15/16"	1-25/32"
14"	0836	13-15/16"	2-25/32"



**Half Lite Sidelite 1 Panel Flush**

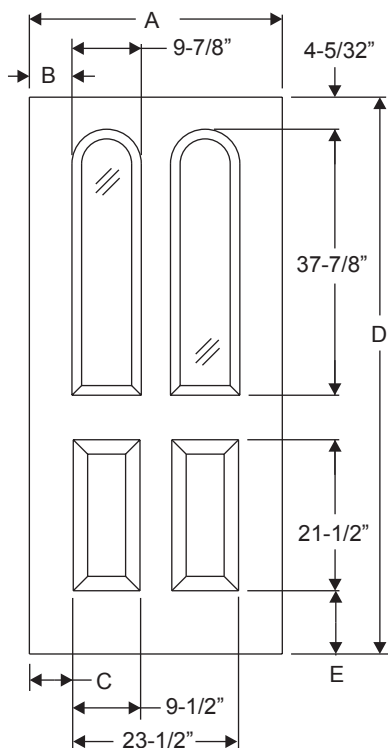
Daylight Opening:  
0636 5" x 35" (175 sq.in.)  
0836 6-29/32" x 34-29/32" (241 sq.in.)  
0836 Impact 6-13/16" x 34-13/16" (237 sq.in.)

Note:  
For Optional Grille Locations, See Arch 1.  
Impact Options Available.

Available in:  
Profiles  
Traditions

Width	Glass	A	B	C	D	E	F
10"	0636	9-15/16"	1-3/32"	1-15/32"	7-3/4"	7"	37-3/4"
12"	0836	11-15/16"	1-1/32"	1-7/32"	9-29/32"	9-1/2"	37-7/8"
14"	0836	13-15/16"	2-1/32"	2-7/32"	9-29/32"	9-1/2"	37-7/8"

\*Only available in Traditions.



**Twin Half Lite RT 2 Panel Flush**

Daylight Opening:  
0836R 7-1/8" x 35-1/8" (245 sq.in. per lite)  
(490 sq.in. total)

Available in:  
Profiles  
Traditions

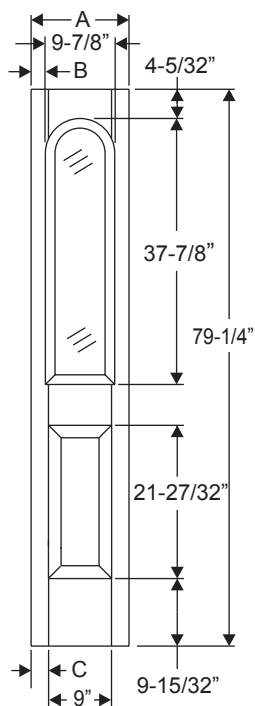
Fiber-Classic/  
Smooth-Star/  
Steel Panel  
Dimensions

Width	Glass	A	B	C
2/8	0836	31-13/16"	3-1/32"	4-5/32"
2/10◇	0836	33-13/16"	4-1/32"	5-5/32"
3/0	0836	35-13/16"	5-1/32"	6-5/32"

◇Only available in 6/8.

Height	D	E
6/8	79-1/4"	9-5/16"
7/0*	83-1/4"	13-5/16"

\*Only available in Profiles.

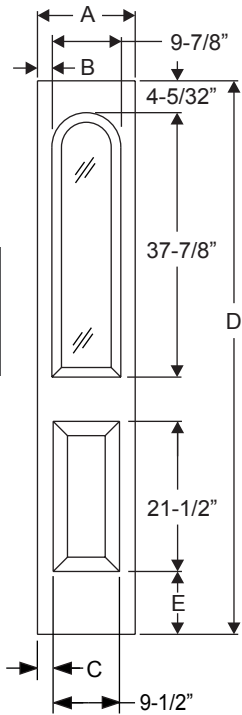


**Half Lite RT Sidelite 1 Panel**

Daylight Opening:  
0836R 7-1/8" x 35-1/8" (245 sq.in.)

Available in:  
Fiber-Classic Oak  
Fiber-Classic Mahogany  
Smooth-Star

Width	Glass	A	B	C
12"	0836R	11-15/16"	1-1/32"	1-15/32"
14"	0836R	13-15/16"	2-1/32"	2-15/32"



Fiber-Classic/  
Smooth-Star/  
Steel Panel  
Dimensions

**Half Lite RT Sidelite 1 Panel Flush**

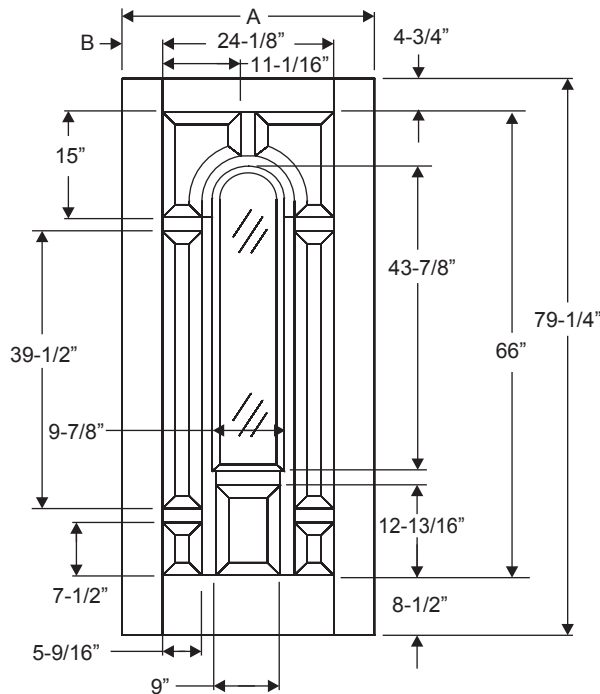
Daylight Opening:  
0836R 7-1/8" x 35-1/8" (245 sq.in.)

Available in:  
Profiles  
Traditions

Width	Glass	A	B	C
12"	0836R	11-15/16"	1-1/32"	1-7/32"
14"	0836R	13-15/16"	2-1/32"	2-7/32"

Height	D	E
6/8	79-1/4"	9-5/16"
7/0*	83-1/4"	13-5/16"

\*Not Available in Traditions.



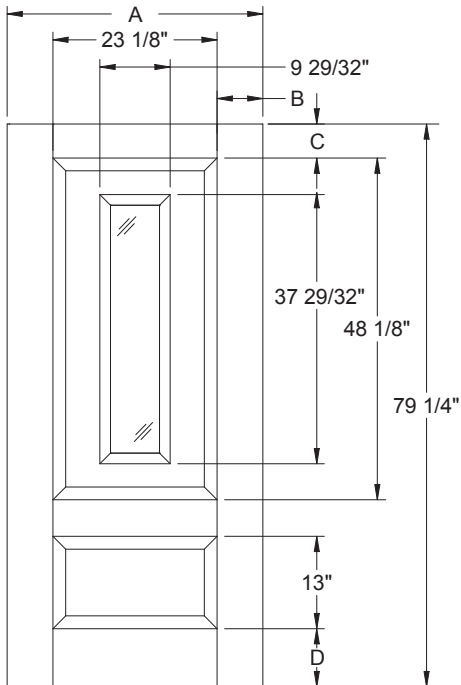
**Center Arch Lite 7 Panel**

Daylight Opening:  
0842R 6-15/16" x 40-15/16" (279 sq.in.)

Available in:  
Fiber-Classic Oak  
Fiber-Classic Mahogany  
Smooth-Star

Width	Glass	A	B
2/8	0842R	31-13/16"	3-27/32"
2/10	0842R	33-13/16"	4-27/32"
3/0	0842R	35-13/16"	5-27/32"





**Center Lite 2 Panel 3/4 Top**

Daylight Opening:

0836	6-29/32" x 34-29/32"	(241 sq.in.)
0836 Impact	6-13/16" x 34-13/16"	(237 sq.in.)

Notes:

For Optional Grille Locations, See Arch 1.  
Impact Options Available.

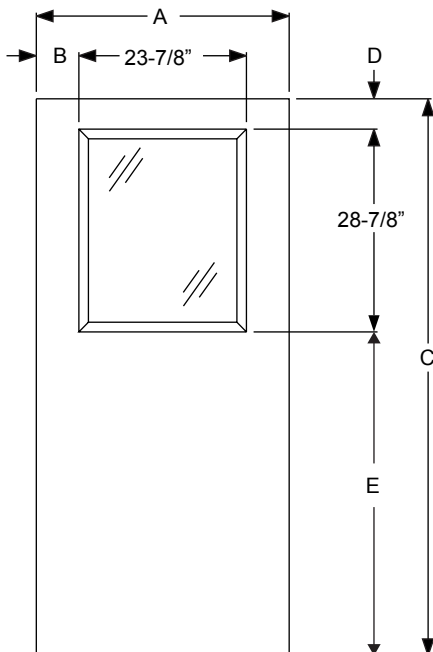
Available in:

Fiber-Classic Oak  
Smooth-Star

Fiber-Classic/  
Smooth-Star/  
Steel Panel  
Dimensions

Width	Glass	A	B
2/8	0836	31-13/16"	4-11/32"
2/10	0836	33-13/16"	5-11/32"
3/0	0836	35-13/16"	6-11/32"

Door Collection	C	D
Fiber-Classic Oak	4-17/32"	8-7/16"
Smooth-Star	4-9/16"	9-9/16"



**1/3 Lite Flush**

Daylight Opening:

2227	21-1/8" x 26-1/8"	(552 sq.in.)
------	-------------------	--------------

Available in:

Fiber-Classic Oak  
Fiber-Classic Mahogany  
Smooth-Star  
Profiles  
Traditions

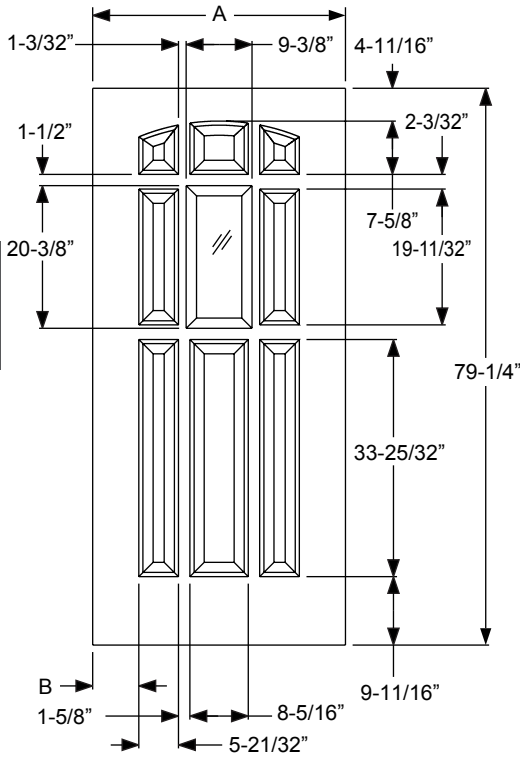
Width	Glass	A	B
2/6□	2227	29-13/16"	2-31/32"
2/8	2227	31-13/16"	3-31/32"
2/10	2227	33-13/16"	4-31/32"
3/0	2227	35-13/16"	5-31/32"

□Not available in 7/0 Smooth-Star.

Height	C	D	E
6/6◇	76-23/32"	4-5/32"	43-11/16"
6/8	79-1/4"	4-5/32"	46-7/32"
7/0*	83-1/4"	7-1/32"	47-11/32"

\*Not available in Traditions

◇Only available in 2/10 Traditions.



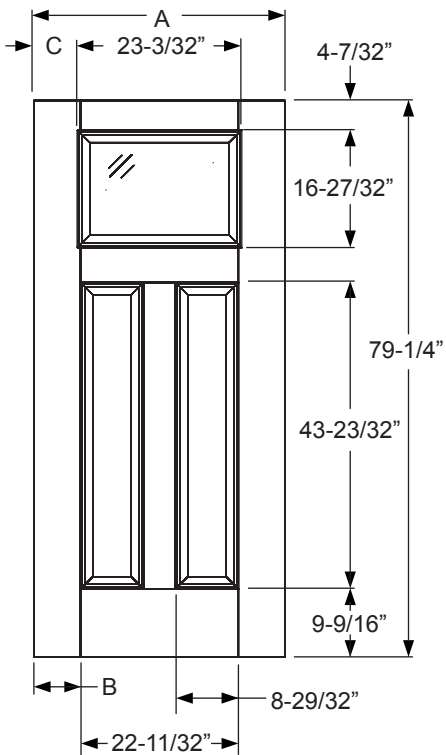
Fiber-Classic/  
Smooth-Star/  
Steel Panel  
Dimensions

## 1 Lite 8 Panel Flush

Daylight Opening:  
0718 6-5/8" x 17-5/8" (117 sq.in.)

Available in:  
Traditions

Width	Glass	A	B
2/8	0718	31-13/16"	4-15/32"
2/10	0718	33-13/16"	5-15/32"
3/0	0718	35-13/16"	6-15/32"



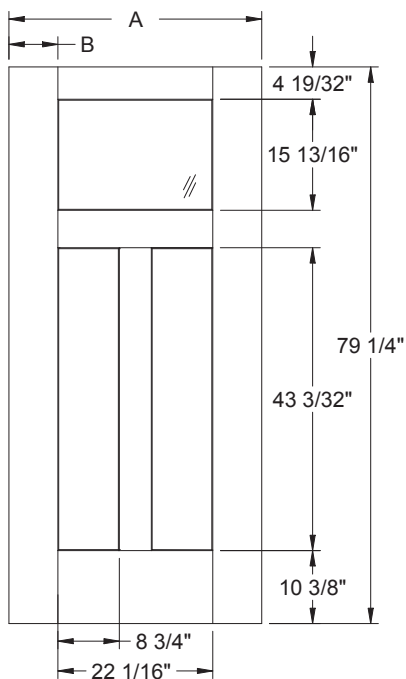
## Craftsman Lite 2 Panel

Daylight Opening:  
2115 20-3/32" x 13-27/32" (278 sq.in.)

Notes:  
For Optional Grille Locations, See Arch 1.  
Impact Options Available.

Available in:  
Fiber-Classic Mahogany  
Smooth-Star

Width	Glass	A	B	C
2/8	2115	31-13/16"	4-23/32"	4-11/32"
2/10	2115	33-13/16"	5-23/32"	5-11/32"
3/0	2115	35-13/16"	6-23/32"	6-11/32"



**Craftsman Lite 2 Panel Shaker Flush-Glazed**

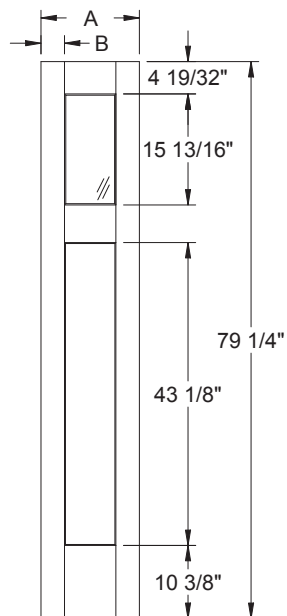
Daylight Opening:  
2216            21 11/16" x 15 7/16"            (335 sq.in.)

Notes:  
For Optional Grille Locations, See Arch 1.

Available in:  
Smooth-Star

Fiber-Classic/  
Smooth-Star/  
Steel Panel  
Dimensions

Width	A	B
2/8	31-15/16"	4-29/32"
2/10	33-15/16"	5-29/32"
3/0	35-15/16"	6-29/32"



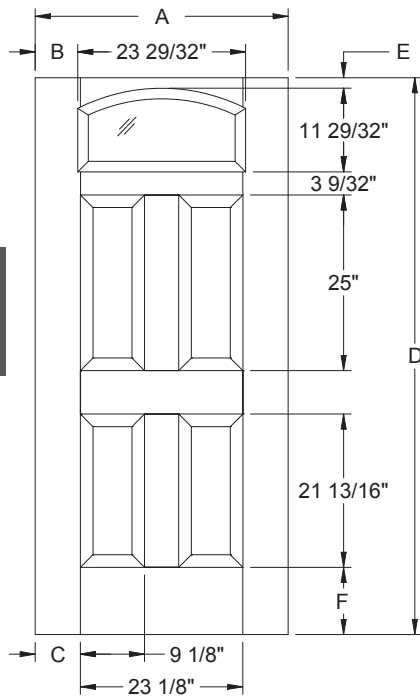
**Craftsman Lite Shaker Sidelite Flush-Glazed**

Daylight Opening:  
0816            6 15/16" x 15 7/16"            107 sq.in.

Notes:  
For Optional Grille Locations, See Arch 1.

Available in:  
Smooth-Star

Width	Glass	A	B
12"	0816	12"	2-11/32"
14"	0816	14"	3-11/32"



Fiber-Classic/  
Smooth-Star/  
Steel Panel  
Dimensions

## Camber Top Lite 4 Panel

Daylight Opening:  
2210A 20-29/32" x 8-29/32" (170 sq.in.)

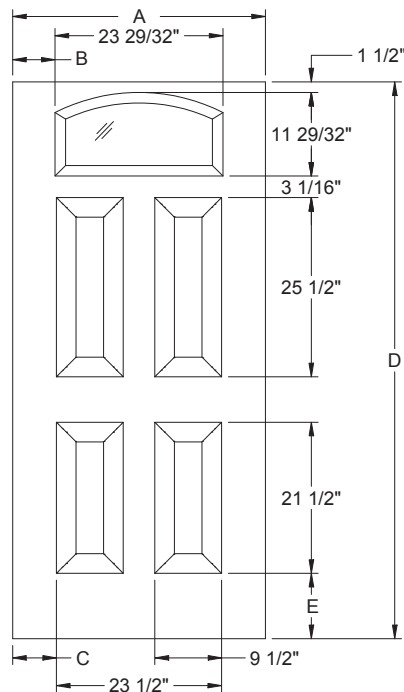
Note:  
For Optional Grille Locations, See Arch 1.

Available in:  
Fiber-Classic Oak  
Fiber-Classic Mahogany  
Smooth-Star

Width	Glass	A	B	C
2/8	2210A	31-13/16"	3-15/16"	4-11/32"
2/10	2210A	33-13/16"	4-15/16"	5-11/32"
3/0	2210A	35-13/16"	5-15/16"	6-11/32"

Height	D	E	F
6/8	79-1/4"	1-1/2"	9-9/16"
6/8 Elevated◇	79-1/4"	1-1/2"	10-23/32"
7/0*	83-1/4"	4-3/8"	10-23/32"

\*Only available in Fiber-Classic Oak and Smooth-Star.  
◇Only available in Smooth-Star.



## Camber Top Lite 4 Panel Flush

Daylight Opening:  
2210A 20-29/32" x 8-29/32" (170 sq.in.)

Note:  
For Optional Grille Locations, See Arch 1.

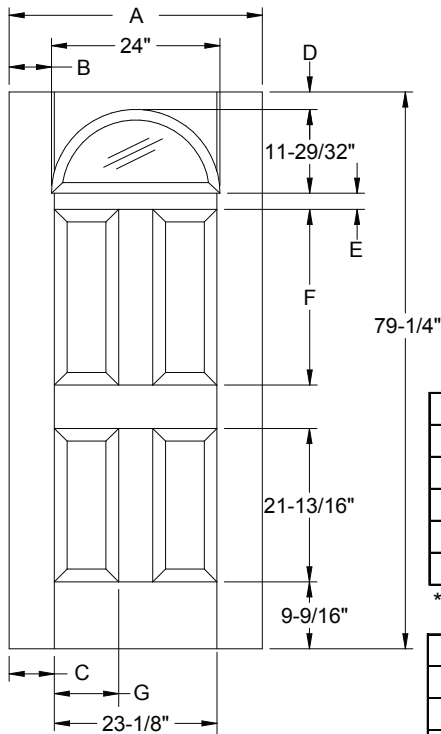
Available in:  
Profiles  
Traditions

Width	Glass	A	B	C
2/8	2210A	31-13/16"	3-15/16"	4-5/32"
2/10	2210A	33-13/16"	4-15/16"	5-5/32"
3/0	2210A	35-13/16"	5-15/16"	6-5/32"

Height	D	E
6/8	79-1/4"	9-5/16"
7/0*	83-1/4"	13-5/16"

\*Only available in Fiber-Classic Oak.

**Fan Lite 4 Panel**



Daylight Opening:  
2210R 8-29/32" x 20-3/4" (140 sq.in.)

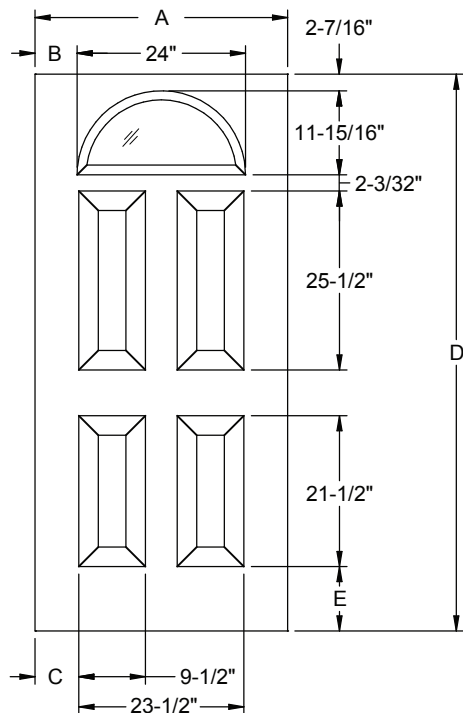
Available in:  
Fiber-Classic Oak  
Smooth-Star

Fiber-Classic/  
Smooth-Star/  
Steel Panel  
Dimensions

Fiber-Classic Oak and Smooth-Star (Cutout)								
Width	Glass	A	B	C	D	E	F	G
2/6*	2210R	29-13/16"	2-29/32"	3-11/32"	2-7/16"	2-11/32"	25"	9-1/8"
2/8	2210R	31-13/16"	3-29/32"	4-11/32"	2-7/16"	2-11/32"	25"	9-1/8"
2/10	2210R	33-13/16"	4-29/32"	5-11/32"	2-7/16"	2-11/32"	25"	9-1/8"
3/0	2210R	35-13/16"	5-29/32"	6-11/32"	2-7/16"	2-11/32"	25"	9-1/8"

\*Only available in Fiber-Classic Oak.

Smooth-Star (Molded Open)								
Width	Glass	A	B	C	D	E	F	G
2/8	2210R	31-13/16"	3-29/32"	4-11/32"	4-7/32"	4-1/4"	21-5/16"	9-1/2"
2/10	2210R	33-13/16"	4-29/32"	5-11/32"	4-7/32"	4-1/4"	21-5/16"	9-1/2"
3/0	2210R	35-13/16"	5-29/32"	6-11/32"	4-7/32"	4-1/4"	21-5/16"	9-1/2"



**Fan Lite 4 Panel Flush**

Daylight Opening:  
2210R 8-29/32" x 20-3/4" (140 sq.in.)

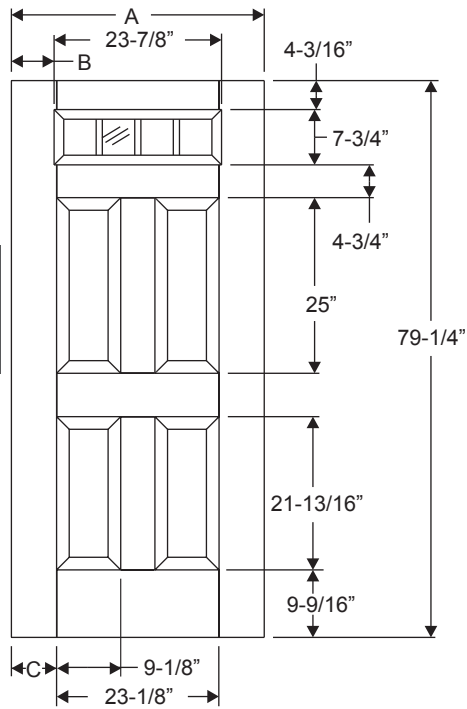
Note:  
For Optional Grille Locations, See Arch 1.

Available in:  
Profiles  
Traditions

Width	Glass	A	B	C
2/8	2210R	31-13/16"	3-29/32"	4-5/32"
2/10	2210R	33-13/16"	4-29/32"	5-5/32"
3/0	2210R	35-13/16"	5-29/32"	6-5/32"

Height	D	E
6/8	79-1/4"	9-5/16"
7/0*	83-1/4"	13-5/16"

\*Only available in Profiles.



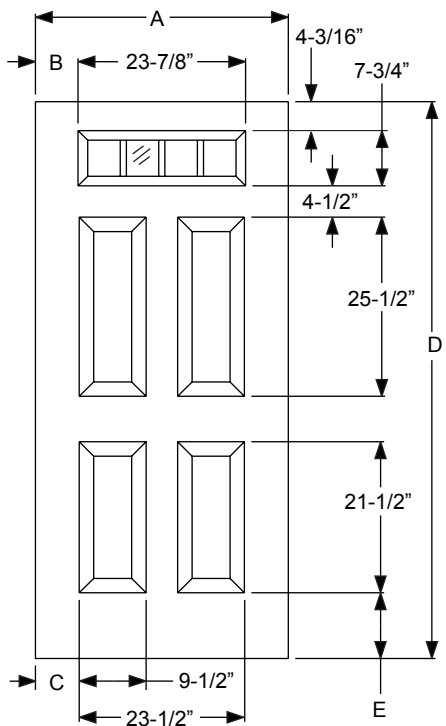
Fiber-Classic/  
Smooth-Star/  
Steel Panel  
Dimensions

## 4 Lite 4 Panel

Daylight Opening:  
2206 21-1/8" x 5" (93 sq.in.)

Available in:  
Smooth-Star

Width	Glass	A	B	C
2/8	2206	31-13/16"	3-31/32"	4-11/32"
2/10	2206	33-13/16"	4-31/32"	5-11/32"
3/0	2206	35-13/16"	5-31/32"	6-11/32"



## 4 Lite 4 Panel Flush

Daylight Opening:  
2206 21-1/8" x 5" (93 sq.in.)

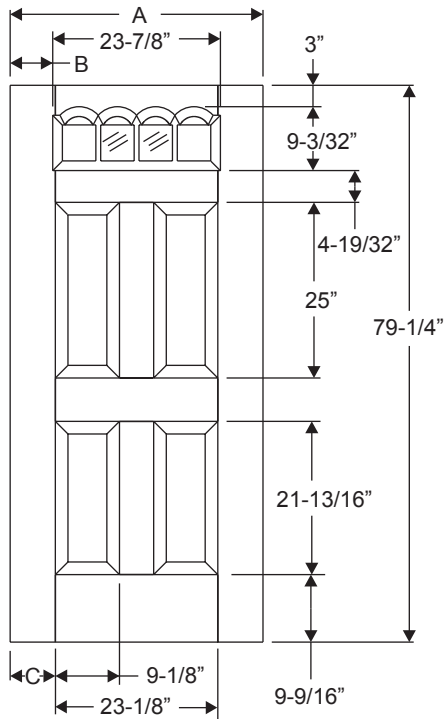
Available in:  
Profiles  
Traditions

Width	Glass	A	B	C
2/8	2206	31-13/16"	3-31/32"	4-5/32"
2/10	2206	33-13/16"	4-31/32"	5-5/32"
3/0	2206	35-13/16"	5-31/32"	6-5/32"

Height	D	E
6/8	79-1/4"	9-5/16"
7/0*	83-1/4"	13-5/16"

\*Only available in Profiles

**4 Lite Scallop 4 Panel**



Daylight Opening:  
2206 21-1/8" x 5" (93 sq.in.)

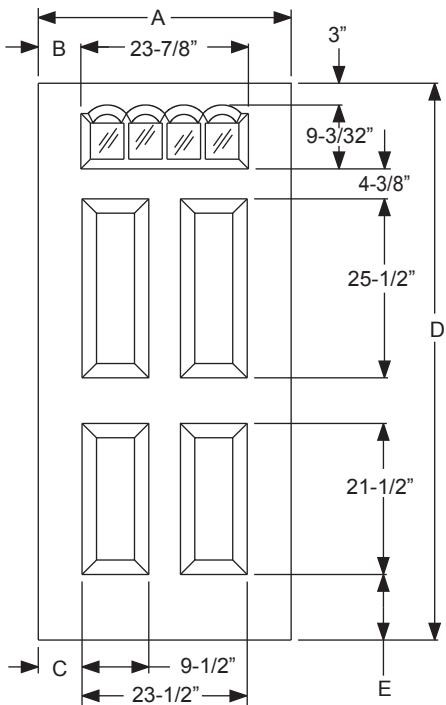
Available in:  
Smooth-Star

Fiber-Classic/  
Smooth-Star/  
Steel Panel  
Dimensions

Width	Glass	A	B	C
2/6*	2206	29-13/16"	2-31/32"	3-11/32"
2/8	2206	31-13/16"	3-31/32"	4-11/32"
2/10	2206	33-13/16"	4-31/32"	5-11/32"
3/0	2206	35-13/16"	5-31/32"	6-11/32"

\*Only available in Fiber-Classic Oak.

**4 Lite Scallop 4 Panel Flush**



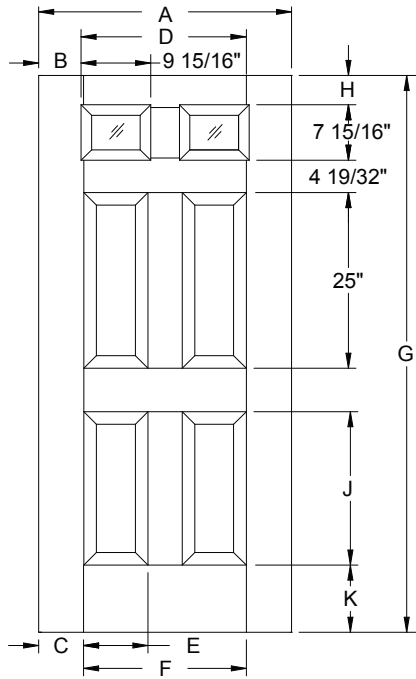
Daylight Opening:  
2206 21-1/8" x 5" (93 sq.in.)

Available in:  
Profiles  
Traditions

Width	Glass	A	B	C
2/8	2206	31-13/16"	3-31/32"	4-5/32"
2/10	2206	33-13/16"	4-31/32"	5-5/32"
3/0	2206	35-13/16"	5-31/32"	6-5/32"

Height	D	F
6/8	79-1/4"	9-5/16"
7/0*	83-1/4"	13-5/16"

\*Only available in Profiles



Fiber-Classic/  
Smooth-Star/  
Steel Panel  
Dimensions

## 2 Lite 4 Panel

Daylight Opening:  
 0806 6-15/16" x 4-15/16" (34 sq.in. per lite)  
 (68 sq.in. total)  
 0806 Impact 4-13/16" x 6-13/16" (33 sq.in. per lite)  
 (66 sq.in. total)

Note: Impact Options Available.  
 Available in:  
 Fiber-Classic Oak  
 Fiber-Classic Mahogany  
 Smooth-Star

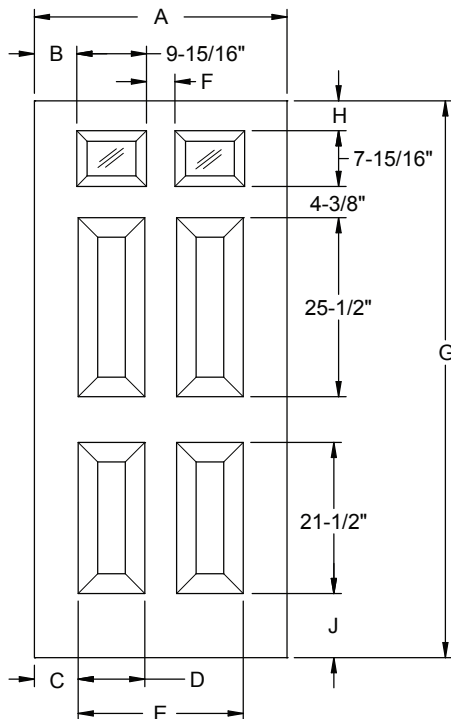
Width	Glass	A	B	C	D	E	F
2/6N□◇	0806	29-13/16"	3-9/32"	4-13/32"	23-7/32"	8-13/16"	21"
2/6◇△	0806	29-13/16"	2-29/32"	3-11/32"	24"	9-1/8"	23-5/32"
2/8N□△	0806	31-13/16"	4-9/32"	5-13/32"	23-7/32"	8-13/16"	21"
2/8	0806	31-13/16"	3-29/32"	4-11/32"	24"	9-1/8"	23-5/32"
2/10	0806	33-13/16"	4-29/32"	5-11/32"	24"	9-1/8"	23-5/32"
3/0	0806	35-13/16"	5-29/32"	6-11/32"	24"	9-1/8"	23-5/32"

◇ Only available in 7/0.  
 □ Only available in 6/8.  
 △ Only available in Fiber-Classic Oak.  
 ◇ Only available in Fiber-Classic Oak and Smooth-Star.

Smooth-Star				
Height	G	H	J	K
6/8	79-1/4"	4-5/32"	21-13/16"	9-9/16"
6/8 Elevated	79-1/4"	3-1/32"	20-21/32"	10-29/32"
7/0	83-1/4"	7-1/32"	21-13/16"	10-29/32"

Fiber-Classic Oak and Fiber-Classic Mahogany				
Height	G	H	J	K
6/8	79-1/4"	4-5/32"	21-13/16"	9-9/16"
6/8 Elevated	79-1/4"	3-1/32"	21-13/16"	10-29/32"
7/0*	83-1/4"	7-1/32"	21-13/16"	10-29/32"

\*Only available in Fiber-Classic Oak.



## 2 Lite 4 Panel Flush

Daylight Opening:  
 0806 6-15/16" x 4-15/16" (34 sq.in. per lite)  
 (68 sq.in. total)

Note: Impact Options Available.

Available in:  
 Profiles  
 Traditions

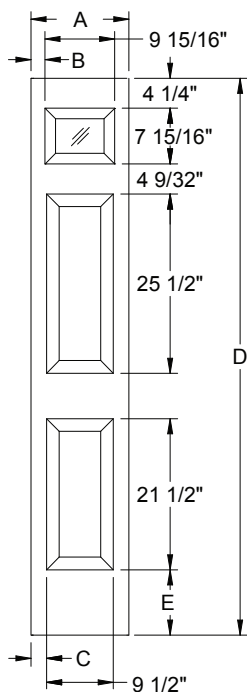
Width	Glass	A	B	C	D	E	F
2/6N*	0806	29-13/16"	2-15/16"	4-15/32"	8-7/32"	20-7/8"	23-29/32"
2/8	0806	31-13/16"	3-15/16"	4-5/32"	9-1/2"	23-1/2"	23-15/16"
2/10	0806	33-13/16"	4-15/16"	5-5/32"	9-1/2"	23-1/2"	23-15/16"
3/0	0806	35-13/16"	5-15/16"	6-5/32"	9-1/2"	23-1/2"	23-15/16"

\*Only available in Traditions.

Height	G	H	J
6/8	79-1/4"	4-5/32"	9-5/16"
7/0◇	83-1/4"	7"	13-5/16"

◇ Only available in Profiles.





**1 Lite Sidelite 2 Panel Flush**

Daylight Opening:

0806	6-15/16" x 4-15/16"	(34 sq.in.)
0806 Impact	4-13/16" x 6-13/16"	(33 sq.in.)

Note:  
Impact Options Available.

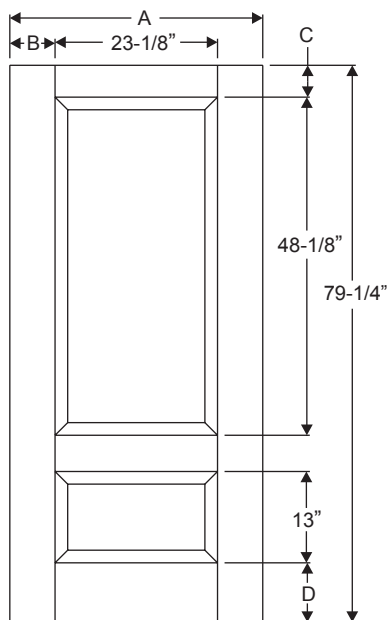
Available in:  
Profiles  
Traditions

Fiber-Classic/  
Smooth-Star/  
Steel Panel  
Dimensions

Width	Glass	A	B	C
12"	0806	11-15/16"	1-1/32"	1-7/32"
14"	0806	13-15/16"	2-1/32"	2-7/32"

Height	D	E
6/8	79-1/4"	9-3/32"
7/0*	83-1/4"	13-3/32"

\*Only available in Profiles.



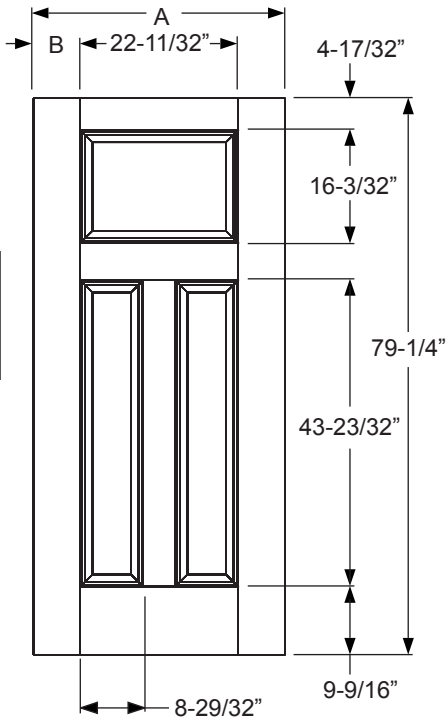
**2 Panel 3/4 Top**

Note:  
Impact Options Available.

Available in:  
Fiber-Classic Oak  
Smooth-Star

Width	A	B
2/8	31-13/16"	4-11/32"
2/10	33-13/16"	5-11/32"
3/0	35-13/16"	6-11/32"

Door Collection	C	D
Fiber-Classic Oak	4-7/16"	8-9/16"
Smooth-Star	4-9/16"	9-9/16"



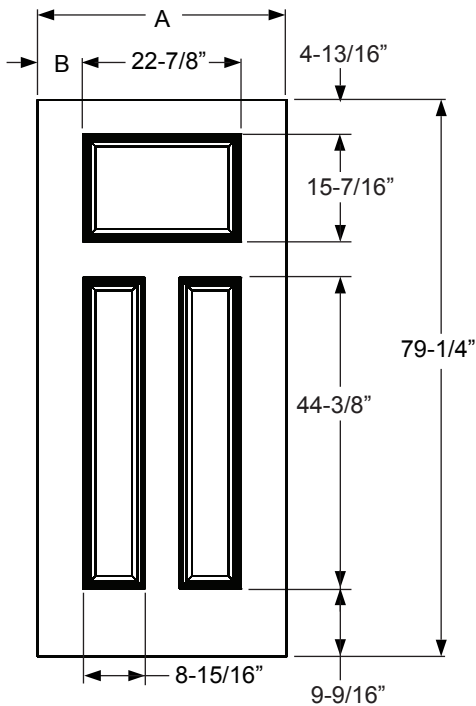
**2 Panel Craftsman**

Note:  
Impact Options Available.

Available in:  
Fiber-Classic Mahogany  
Smooth-Star

Width	A	B
2/8	31-13/16"	4-23/32"
2/10	33-13/16"	5-23/32"
3/0	35-13/16"	6-23/32"

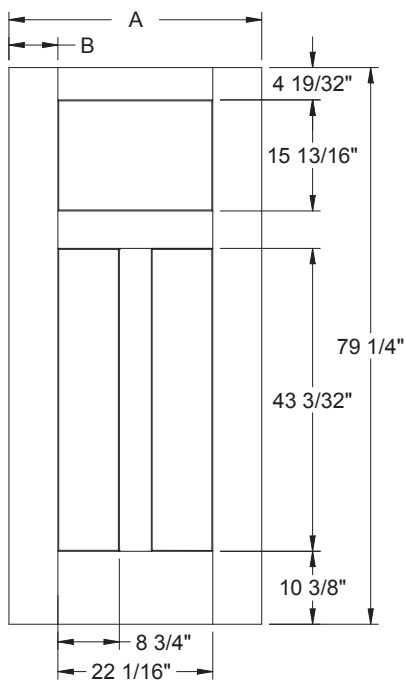
Fiber-Classic/  
Smooth-Star/  
Steel Panel  
Dimensions



**2 Panel Craftsman Flush**

Available in:  
Profiles

Width	A	B
2/8	31-13/16"	4-15/32"
2/10	33-13/16"	5-15/32"
3/0	35-13/16"	6-15/32"

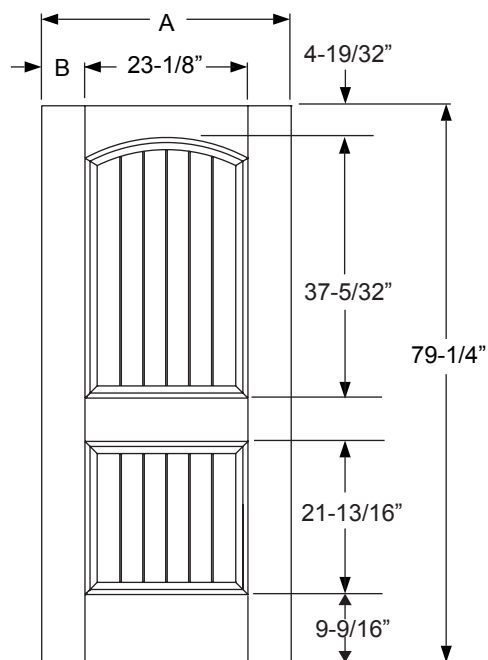


**2 Panel Craftsman Shaker**

Available in:  
Smooth-Star

Fiber-Classic/  
Smooth-Star/  
Steel Panel  
Dimensions

Width	A	B
2/8	31-15/16"	4-29/32"
2/10	33-15/16"	5-29/32"
3/0	35-15/16"	6-29/32"

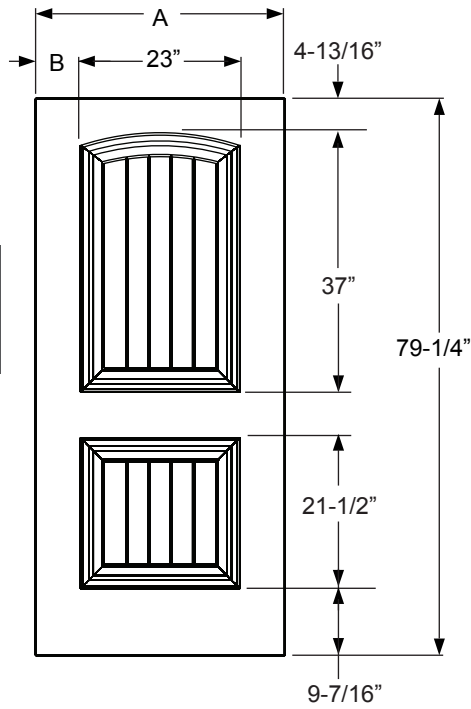


**2 Panel Plank Soft Arch**

Note:  
Impact Options Available.

Available in:  
Fiber-Classic Mahogany  
Smooth-Star

Width	A	B
2/8	31-13/16"	4-11/32"
2/10	33-13/16"	5-11/32"
3/0	35-13/16"	6-11/32"

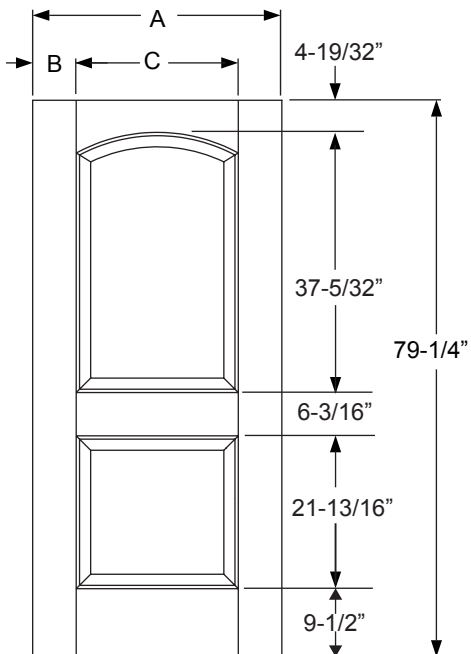


Fiber-Classic/  
Smooth-Star/  
Steel Panel  
Dimensions

**2 Panel Plank Soft Arch Flush**

Available in:  
Profiles

Width	A	B
2/8	31-13/16"	4-13/32"
2/10	33-13/16"	5-13/32"
3/0	35-13/16"	6-13/32"

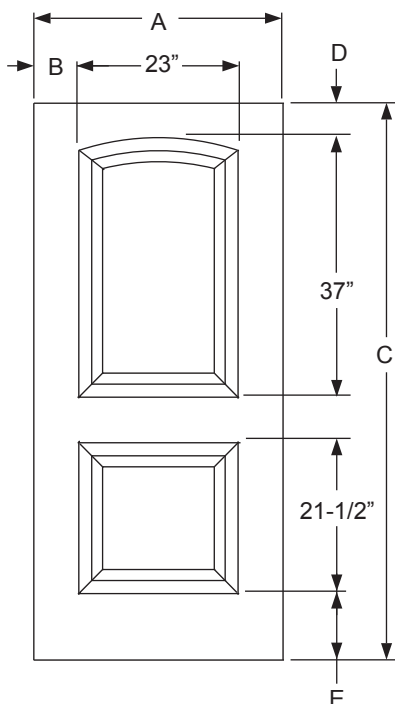


**2 Panel Soft Arch**

Note:  
Impact Options Available.

Available in:  
Smooth-Star

Width	A	B	C
2/6N	29-13/16"	4-13/32"	21"
2/8	31-13/16"	4-11/32"	23-1/8"
2/10	33-13/16"	5-11/32"	23-1/8"
3/0	35-13/16"	6-11/32"	23-1/8"



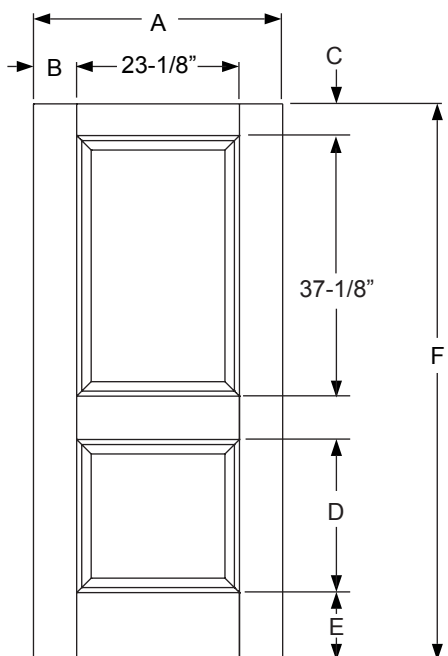
**2 Panel Soft Arch Flush**

Available in:  
Profiles

Profiles		
Width	A	B
2/8	31-13/16"	4-13/32"
2/10	33-13/16"	5-13/32"
3/0	35-13/16"	6-13/32"

Profiles			
Height	C	D	E
6/8	79-1/4"	4-13/16"	9-7/16"

Fiber-Classic/  
Smooth-Star/  
Steel Panel  
Dimensions



**2 Panel Square Top**

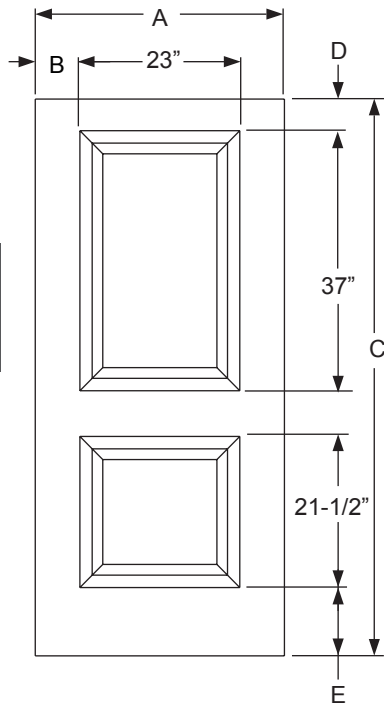
Note:  
Impact Options Available.

Available in:  
Fiber-Classic Mahogany  
Smooth-Star

Width	A	B
2/8	31-13/16"	4-11/32"
2/10	33-13/16"	5-11/32"
3/0	35-13/16"	6-11/32"

Height	C	D	E	F
6/8	4-9/16"	21-13/16"	9-9/16"	79-1/4"
6/8 Elevated*	4-9/16"	20-21/32"	10-23/32"	79-1/4"
7/0	7-13/32"	21-13/16"	10-23/32"	83-1/4"

\*Only available in Smooth-Star.



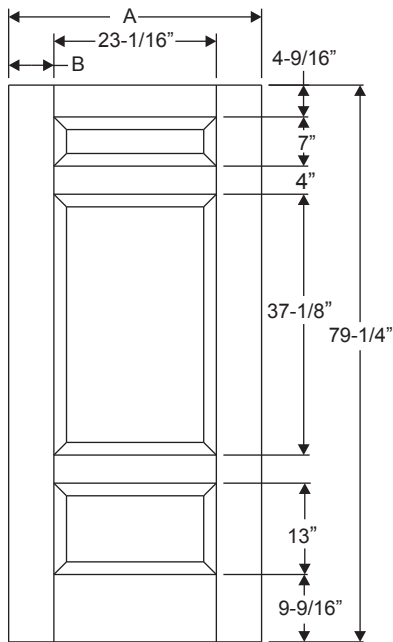
Fiber-Classic/  
Smooth-Star/  
Steel Panel  
Dimensions

**2 Panel Square Top Flush**

Available in:  
Profiles

Width	A	B
2/8	31-13/16"	4-13/32"
2/10	33-13/16"	5-13/32"
3/0	35-13/16"	6-13/32"

Profiles			
Height	C	D	E
6/8	79-1/4"	4-13/16"	9-7/16"



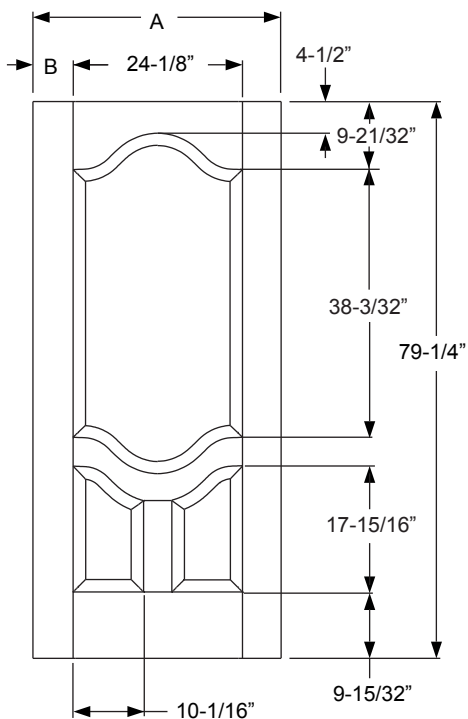
**3 Panel**

Note:  
Impact Options Available.

Available in:  
Smooth-Star

Width	A	B
2/8	31-13/16"	4-3/8"
2/10	33-13/16"	5-3/8"
3/0	35-13/16"	6-3/8"

**3 Panel Scroll**



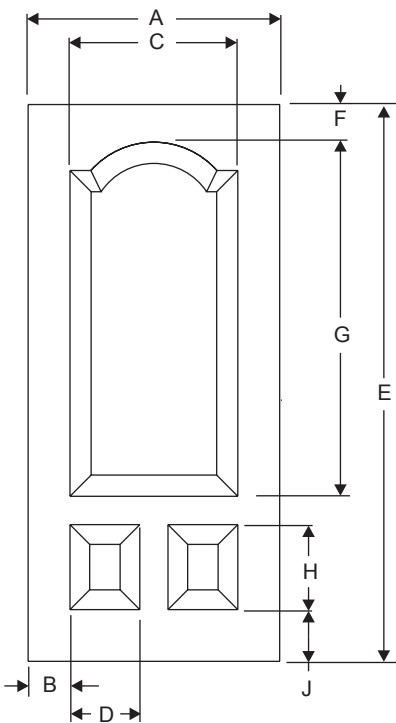
Note:  
Impact Options Available.

Available in:  
Fiber-Classic Oak  
Fiber-Classic Mahogany  
Smooth-Star

Fiber-Classic/  
Smooth-Star/  
Steel Panel  
Dimensions

Width	A	B
2/8	31-13/16"	3-27/32"
2/10	33-13/16"	4-27/32"
3/0	35-13/16"	5-27/32"

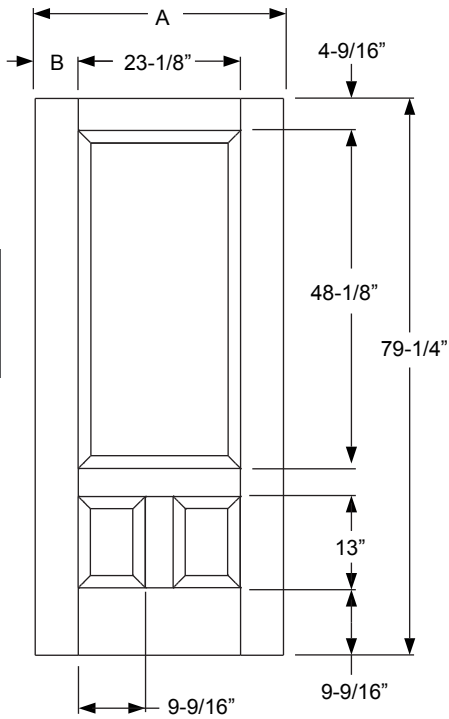
**3 Panel Scroll Top Flush**



Available in:  
Profiles

Profiles				
Width	A	B	C	D
2/8	31-13/16"	4"	23-13/16"	9-29/32"
2/10	33-13/16"	5"	23-13/16"	9-29/32"
3/0	35-13/16"	6"	23-13/16"	9-29/32"

Profiles					
Height	E	F	G	H	J
6/8	79-1/4"	5-9/32"	50"	12"	7-31/32"



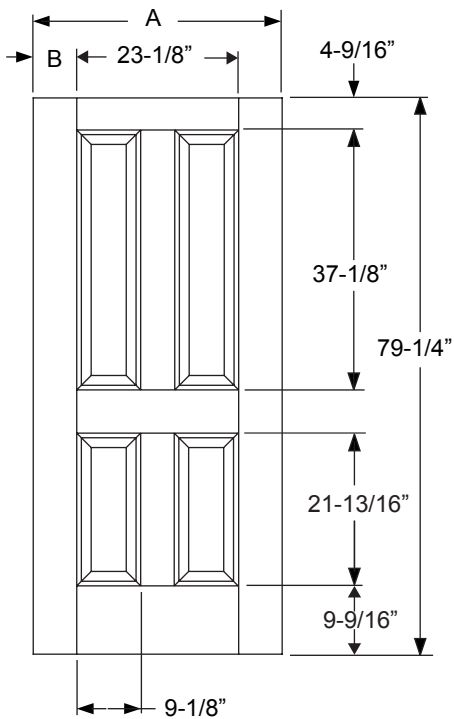
Fiber-Classic/  
Smooth-Star/  
Steel Panel  
Dimensions

**3 Panel Square Top**

Note:  
Impact Options Available.

Available in:  
Fiber-Classic Oak  
Fiber-Classic Mahogany

Width	A	B
2/8	31-13/16"	4-11/32"
2/10	33-13/16"	5-11/32"
3/0	35-13/16"	6-11/32"



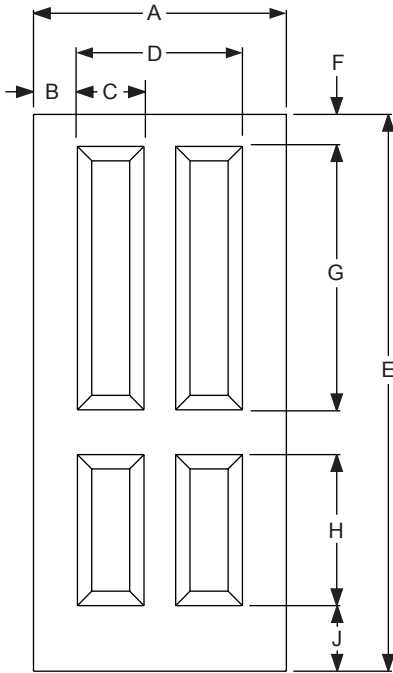
**4 Panel Square Top**

Note:  
Impact Options Available.

Available in:  
Fiber-Classic Oak  
Smooth-Star

Width	A	B
2/8	31-13/16"	4-11/32"
2/10	33-13/16"	5-11/32"
3/0	35-13/16"	6-11/32"





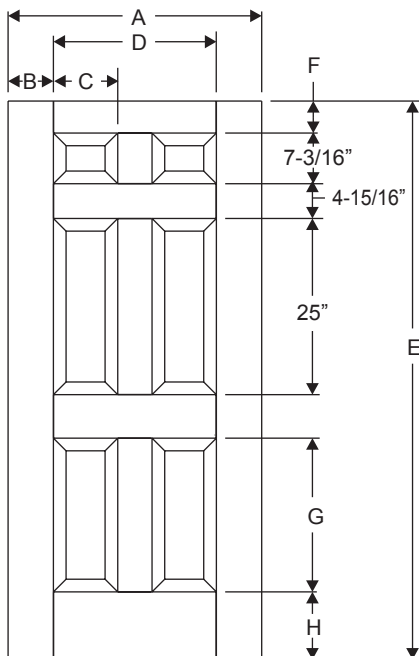
**4 Panel Square Top Flush**

Available in:  
Traditions

Traditions				
Width	A	B	C	D
2/8	31-13/16"	4-9/32"	9-11/16"	23-1/4"
2/10	33-13/16"	5-9/32"	9-11/16"	23-1/4"
3/0	35-13/16"	6-9/32"	9-11/16"	23-1/4"

Fiber-Classic/  
Smooth-Star/  
Steel Panel  
Dimensions

Traditions					
Height	E	F	G	H	J
6/8	79-1/4"	4-31/32"	36-3/4"	23-1/16"	7-3/32"



**6 Panel**

Note:  
Impact Options Available.

Available in:  
Fiber-Classic Oak  
Fiber-Classic Mahogany  
Smooth-Star

All Door Collections				
Width	A	B	C	D
2/6N*	29-13/16"	4-13/32"	8-13/16"	21"
2/6◇	29-13/16"	3-11/32"	9-1/8"	23-1/8"
2/8N□	31-13/16"	5-13/32"	8-13/16"	21"
2/8	31-13/16"	4-11/32"	9-1/8"	23-1/8"
2/10	33-13/16"	5-11/32"	9-1/8"	23-1/8"
3/0	35-13/16"	6-11/32"	9-1/8"	23-1/8"

\*Only available in 6/8 Fiber-Classic Oak and 6/8 Smooth-Star.

◇Only available in 7/0 Fiber-Classic Oak.

□Only available in 6/8 Fiber-Classic Oak.

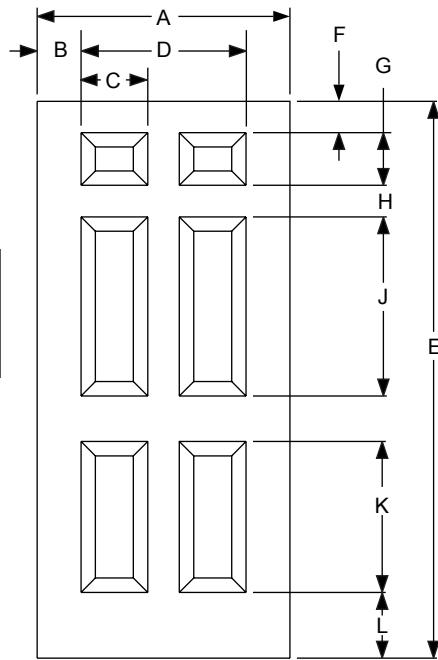
Smooth-Star				
Height	E	F	G	H
6/8	79-1/4"	4-9/16"	21-13/16"	9-9/16"
6/8 Elevated	79-1/4"	4-9/16"	20-21/32"	10-23/32"
7/0	83-1/4"	7-13/32"	21-13/16"	10-23/32"

Fiber-Classic Oak & Fiber-Classic Mahogany				
Height	E	F	G	H
6/8	79-1/4"	4-9/16"	21-13/16"	9-9/16"
6/8 Elevated△	79-1/4"	3-13/32"	21-13/16"	10-23/32"
7/0⊖	83-1/4"	7-13/32"	21-13/16"	10-23/32"

△Only available in 3/0 Fiber-Classic Oak.

⊖Only available in Fiber-Classic Oak.

## 6 Panel Flush



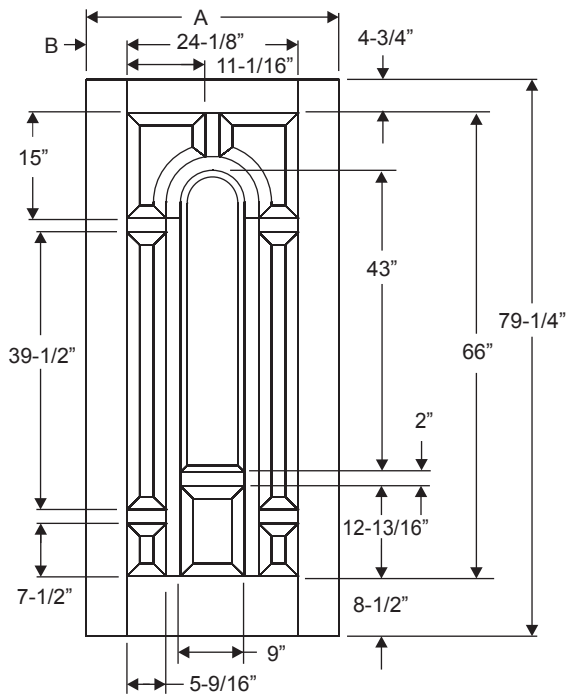
Fiber-Classic/  
Smooth-Star/  
Steel Panel  
Dimensions

Available in:  
Profiles  
Traditions

Profiles and Traditions					
Width	Glass	A	B	C	D
2/6N	2036	29-13/16"	4-15/32"	8-7/32"	20-7/8"
2/8	2236	31-13/16"	4-5/32"	9-1/2"	23-1/2"
2/10	2236	33-13/16"	5-5/32"	9-1/2"	23-1/2"
3/0	2236	35-13/16"	6-5/32"	9-1/2"	23-1/2"

Profiles and Traditions							
Height	E	F	G	H	J	K	L
6/8	79-1/4"	4-15/32"	7-1/2"	4-1/2"	25-1/2"	21-1/2"	9-5/16"
7/0	83-1/4"	4-15/32"	7-1/2"	4-1/2"	25-1/2"	21-1/2"	9-5/16"

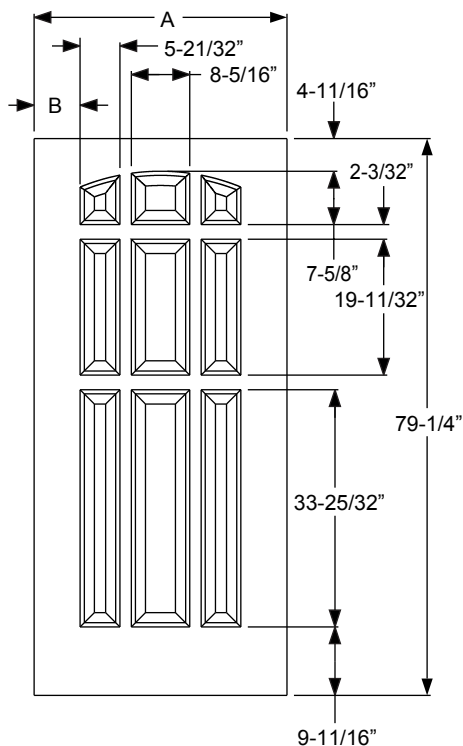
## 8 Panel



Note:  
Impact Options Available.

Available in:  
Fiber-Classic Oak  
Fiber-Classic Mahogany  
Smooth Star

Width	A	B
2/8	31-13/16"	3-27/32"
2/10	33-13/16"	4-27/32"
3/0	35-13/16"	5-27/32"

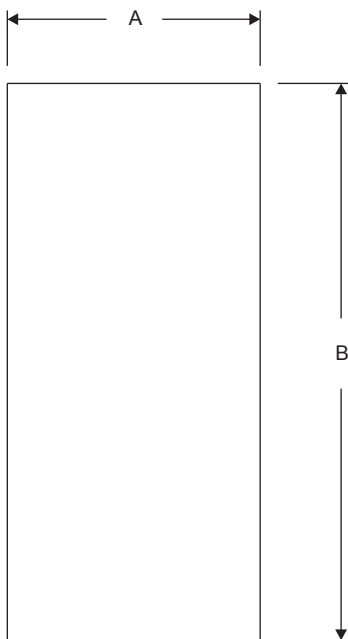


**9 Panel Flush**

Available in:  
Traditions

Fiber-Classic/  
Smooth-Star/  
Steel Panel  
Dimensions

Width	A	B
2/8	31-13/16"	4-15/32"
2/10	33-13/16"	5-15/32"
3/0	35-13/16"	6-15/32"



**Flush Panel**

Note:  
Impact Options Available.

Available in:  
Fiber-Classic Oak  
Fiber-Classic Mahogany  
Smooth Star  
Profiles  
Traditions

Width	A
2/0◇	23-13/16"
2/4□	27-13/16"
2/6‡	29-13/16"
2/8	31-13/16"
2/10	33-13/16"
3/0	35-13/16"
3/6*	41-13/16"

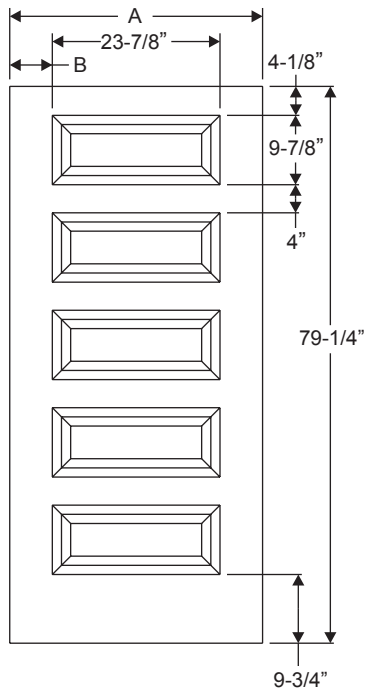
Height	B
6/6ℓ	76-23/32"
6/8	79-1/4"
7/0v	83-1/4"

vNot available in Traditions.  
ℓNot available in Profiles.

\*Only available in 6/8 Smooth-Star and Profiles.

◇Only available in 6/8.

□Only available in 6/6 and 6/8.

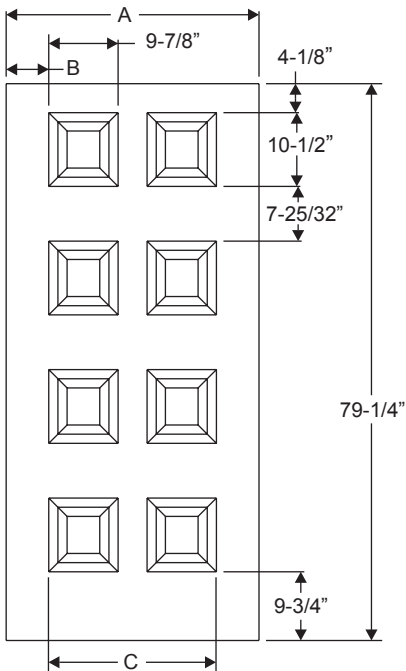


**Raised 5 Panel Flush**

Available in:  
Smooth Star

Width	A	B
2/8	31-13/16"	3-31/32"
2/10	33-13/16"	4-31/32"
3/0	35-13/16"	5-31/32"

Fiber-Classic/  
Smooth-Star/  
Steel Panel  
Dimensions

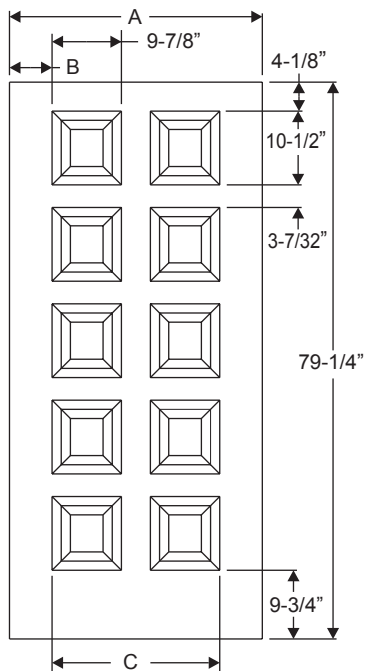


**Raised 8 Panel Flush**

Available in:  
Smooth Star

Width	A	B	C
2/6	29-13/16"	3-7/8"	22-1/16"
2/8	31-13/16"	3-31/32"	23-7/8"
2/10	33-13/16"	4-31/32"	23-7/8"
3/0	35-13/16"	5-31/32"	23-7/8"

**Raised 10 Panel Flush**

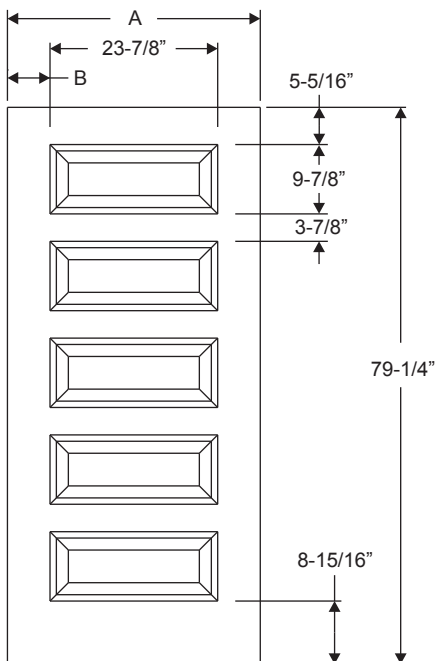


Available in:  
Smooth Star

Width	A	B	C
2/6	29-13/16"	3-7/8"	22-1/16"
2/8	31-13/16"	3-31/32"	23-7/8"
2/10	33-13/16"	4-31/32"	23-7/8"
3/0	35-13/16"	5-31/32"	23-7/8"

Fiber-Classic/  
Smooth-Star/  
Steel Panel  
Dimensions

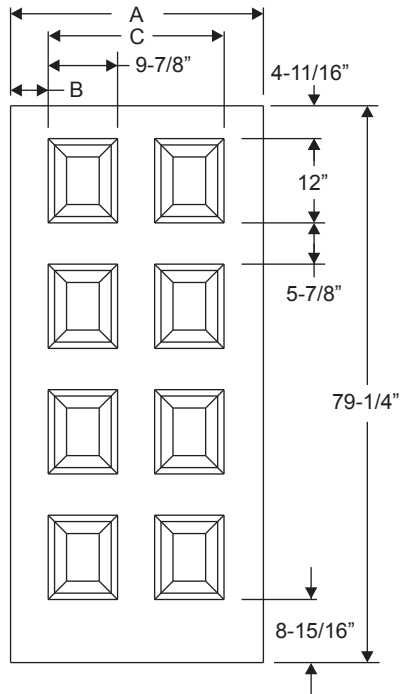
**Designline 5 Panel Flush**



Available in:  
Fiber-Classic Oak

Width	A	B
2/8	31-13/16"	3-31/32"
2/10	33-13/16"	4-31/32"
3/0	35-13/16"	5-31/32"

**Designline 8 Panel Flush**



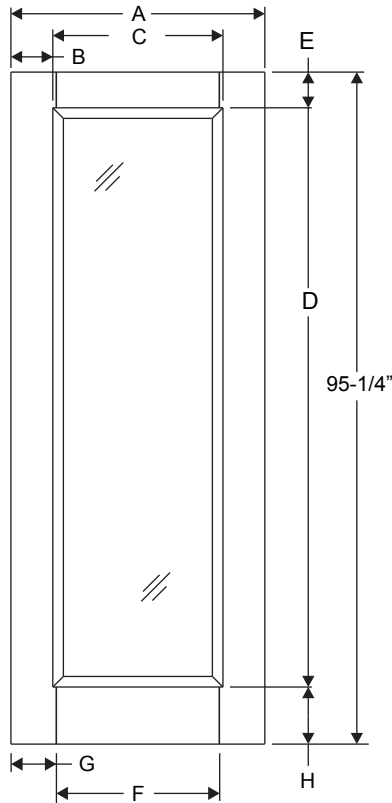
Fiber-Classic/  
Smooth-Star/  
Steel Panel  
Dimensions

Available in:  
Fiber-Classic Oak

Width	A	B	C
2/6	29-13/16"	4-1/16"	21-21/32"
2/8	31-13/16"	5-1/16"	21-21/32"
2/10	33-13/16"	4-1/4"	25-9/32"
3/0	35-13/16"	5-1/4"	25-9/32"

**This section intentionally left blank.**

**8' Full Lite w/ Stile Lines**



**Daylight Opening:**

2080 (1/2" glass)	19-1/8" x 79-1/8"	(1513 sq.in.)
2080 (1" glass)	18-15/16" x 78-15/16"	(1495 sq.in.)
2080 Impact (1" glass)	18-13/16" x 78-13/16"	(1483 sq.in.)
2280 (1/2" glass)	21-1/8" x 79-1/8"	(1672 sq.in.)
2280 (1" glass)	20-15/16" x 78-15/16"	(1653 sq.in.)
2280 Impact (1" glass)	20-13/16" x 78-13/16"	(1640 sq.in.)

**Note:**

For Optional Grille Locations, See Arch 1.  
Impact Options Available.

**Available in:**

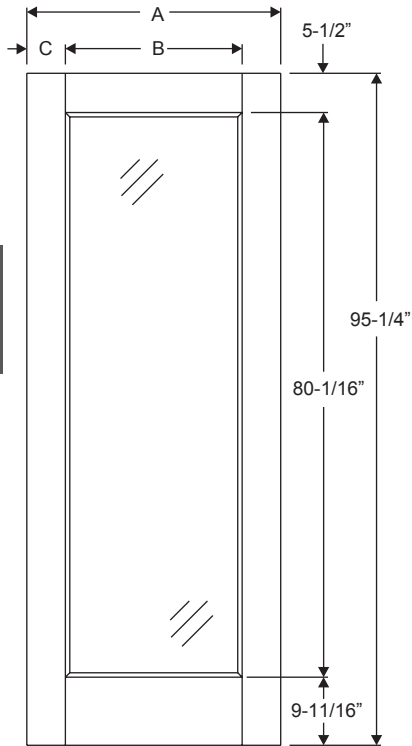
Fiber-Classic Mahogany  
Fiber-Classic Oak  
Smooth-Star

Fiber-Classic/  
Smooth-Star/  
Steel Panel  
Dimensions

Width	Glass	A	B	C	D	E	F	G	H
2/6N*	2080	29-13/16"	3-27/32"	22-1/8"	82-1/8"	5-1/8"	21"	4-13/32"	8"
2/6N Impact	2080	29-13/16"	3-31/32"	21-7/8"	81-7/8"	5-1/4"	21"	4-13/32"	8-1/8"
2/8	2280	31-13/16"	3-27/32"	24-1/8"	82-1/8"	5-1/8"	23-1/8"	4-11/32"	8"
2/8 Impact	2280	31-13/16"	3-31/32"	23-7/8"	81-7/8"	5-1/4"	23-1/8"	4-11/32"	8-1/8"
2/10	2280	33-13/16"	4-27/32"	24-1/8"	82-1/8"	5-1/8"	23-1/8"	5-11/32"	8"
2/10 Impact	2280	33-13/16"	4-31/32"	23-7/8"	81-7/8"	5-1/4"	23-1/8"	5-11/32"	8-1/8"
3/0	2280	35-13/16"	5-27/32"	24-1/8"	82-1/8"	5-1/8"	23-1/8"	6-11/32"	8"
3/0 Impact	2280	35-13/16"	5-31/32"	23-7/8"	81-7/8"	5-1/4"	23-1/8"	6-11/32"	8-1/8"

\*Only available in Smooth-Star.

**8' Full Lite Flush-Glazed**



Fiber-Classic/  
Smooth-Star/  
Steel Panel  
Dimensions

Daylight Opening:

1480	14-1/4" x 78-13/16"	(1123 sq.in.)
2180	19-13/16" x 78-13/16"	(1561 sq.in.)
2580	23-13/16" x 78-13/16"	(1877 sq.in.)

Note:

For Optional Grille Locations, See Arch 1.

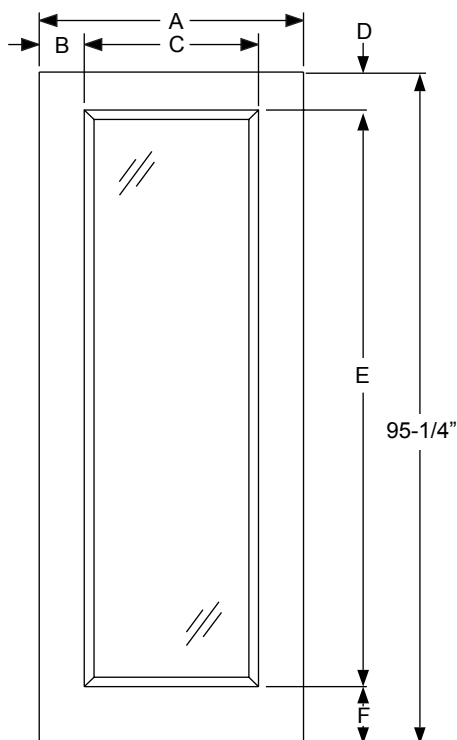
Available in:

Fiber-Classic Oak  
Smooth-Star

Width	Glass	A	B	C
2/0	1480	23-13/16"	15-1/2"	4-5/32"
2/6	2180	29-13/16"	21-1/16"	4-3/8"
2/8	2180	31-13/16"	21-1/16"	5-3/8"
2/10	2580	33-13/16"	25-1/16"	4-3/8"
3/0	2580	35-13/16"	25-1/16"	5-3/8"

**This section intentionally left blank.**





**8' Full Lite Flush**

Daylight Opening:		
1480	13" x 79"	(1027 sq.in)
1480 Impact	12-13/16" x 78-13/16"	(1010 sq.in.)
2080 (1/2" glass)	19-1/8" x 79-1/8"	(1513 sq.in.)
2080 (1" glass)	18-15/16" x 78-15/16"	(1495 sq.in.)
2080 Impact (1" glass)	18-13/16" x 78-13/16"	(1483 sq.in.)
2280 (1/2" glass)	21-1/8" x 79-1/8"	(1672 sq.in.)
2280 (1" glass)	20-15/16" x 78-15/16"	(1653 sq.in.)
2280 Impact (1" glass)	20-13/16" x 78-13/16"	(1640 sq.in.)

Fiber-Classic/  
Smooth-Star/  
Steel Panel  
Dimensions

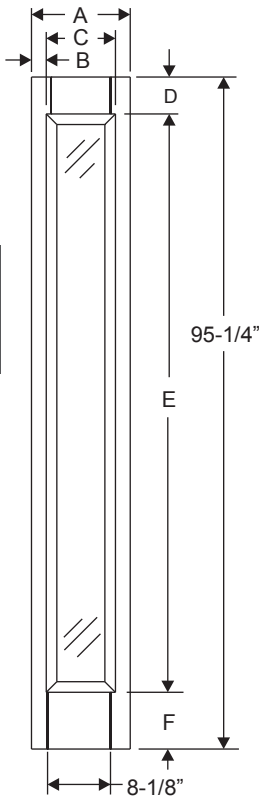
Notes:  
For Optional Grille Locations, See Arch 1.  
Impact Options Available.  
Noise Reduction Options Available.

Available in:  
Fiber-Classic Oak  
Fiber-Classic Mahogany  
Smooth-Star  
Traditions

Fiber-Classic Mahogany, Fiber-Classic Oak, and Smooth-Star							
Width	Glass	A	B	C	D	E	F
2/0 (FCO)	1480	23-13/16"	3-29/32"	16"	5-1/4"	82"	8"
2/0 (SS)	1480	23-13/16"	4-1/32"	15-3/4"	5-3/8"	81-3/4"	8-1/8"
2/0 Impact	1480	23-13/16"	3-31/32"	15-7/8"	5-5/16"	81-7/8"	8-1/16"
2/4 (FCO)	1480	27-13/16"	5-29/32"	16"	5-1/4"	82"	8"
2/4 (SS)	1480	27-13/16"	6-1/32"	15-3/4"	5-3/8"	81-3/4"	8-1/8"
2/4 Impact	1480	27-13/16"	5-31/32"	15-7/8"	5-5/16"	81-7/8"	8-1/16"
2/6	2080	29-13/16"	3-27/32"	22-1/8"	5-1/8"	82-1/8"	8"
2/6 Impact	2080	29-13/16"	3-31/32"	21-7/8"	5-1/4"	81-7/8"	8-1/8"
2/8N	2080	31-13/16"	4-27/32"	22-1/8"	5-1/8"	82-1/8"	8"
2/8	2280	31-13/16"	3-27/32"	24-1/8"	5-1/8"	82-1/8"	8"
2/8 Impact	2280	31-13/16"	3-31/32"	23-7/8"	5-1/4"	81-7/8"	8-1/8"
2/10	2280	33-13/16"	4-27/32"	24-1/8"	5-1/8"	82-1/8"	8"
2/10 Impact	2280	33-13/16"	4-31/32"	23-7/8"	5-1/4"	81-7/8"	8-1/8"
3/0	2280	35-13/16"	5-27/32"	24-1/8"	5-1/8"	82-1/8"	8"
3/0 Impact	2280	35-13/16"	5-31/32"	23-7/8"	5-1/4"	81-7/8"	8-1/8"
3/6*	2280	41-13/16"	8-27/32"	24-1/8"	5-1/8"	82-1/8"	8"

\*Only available in Smooth-Star.

Traditions							
Width	Glass	A	B	C	D	E	F
2/0	1480	23-13/16"	4-1/32"	15-3/4"	5-3/8"	81-3/4"	8-1/8"
2/0 Impact	1480	23-13/16"	3-31/32"	15-7/8"	5-5/16"	81-7/8"	8-1/16"
2/6	2080	29-13/16"	3-27/32"	22-1/8"	5-1/8"	82-1/8"	8"
2/6 Impact	2080	29-13/16"	3-31/32"	21-7/8"	5-1/4"	81-7/8"	8-1/8"
2/8N	2080	31-13/16"	4-27/32"	22-1/8"	5-1/8"	82-1/8"	8"
2/8	2280	31-13/16"	3-27/32"	24-1/8"	5-1/8"	82-1/8"	8"
2/8 Impact	2280	31-13/16"	3-31/32"	23-7/8"	5-1/4"	81-7/8"	8-1/8"
2/10	2280	33-13/16"	4-27/32"	24-1/8"	5-1/8"	82-1/8"	8"
2/10 Impact	2280	33-13/16"	4-31/32"	23-7/8"	5-1/4"	81-7/8"	8-1/8"
3/0	2280	35-13/16"	5-27/32"	24-1/8"	5-1/8"	82-1/8"	8"
3/0 Impact	2280	35-13/16"	5-31/32"	23-7/8"	5-1/4"	81-7/8"	8-1/8"



Fiber-Classic/  
Smooth-Star/  
Steel Panel  
Dimensions

## 8' Full Lite Sidelite w/ Stile Lines

### Daylight Opening:

0780	6-7/8" x 79-1/16"	(545 sq.in.)
0780 Impact	6-5/8" x 78-13/16"	(523 sq.in.)

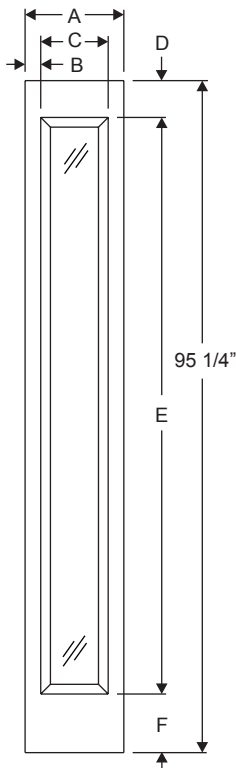
### Notes:

For Optional Grille Locations, See Arch 1.  
Impact Options Available.

### Available in:

Fiber-Classic Oak  
Fiber-Classic Mahogany  
Smooth-Star

Width	Glass	A	B	C	D	E	F
12"	0780	11-15/16"	1-1/16"	9-27/32"	5-5/16"	82-1/32"	7-29/32"
12" Impact	0780	11-15/16"	1-1/8"	9-11/16"	5-3/8"	81-7/8"	8"
14"	0780	13-15/16"	2-1/16"	9-27/32"	5-5/16"	82-1/32"	7-29/32"
14" Impact	0780	13-15/16"	2-1/8"	9-11/16"	5-3/8"	81-7/8"	8"



## 8' Full Lite Sidelite Flush

### Available in:

Fiber-Classic Oak  
Fiber-Classic Mahogany  
Smooth-Star  
Traditions

### Daylight Opening:

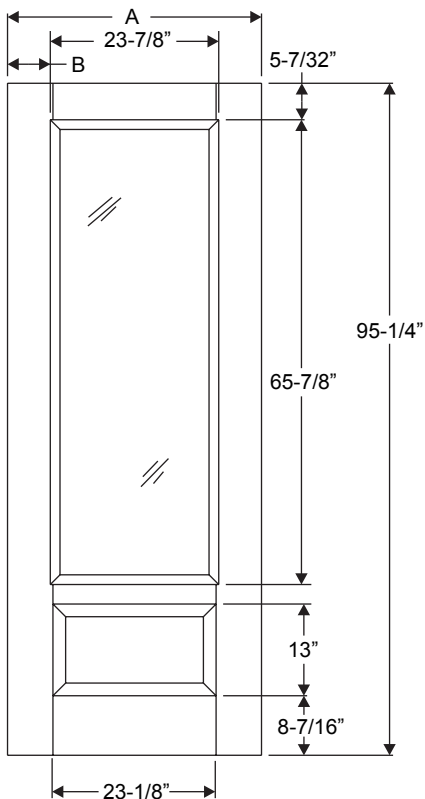
0780	6-7/8" x 79-1/16"	(545 sq.in.)
0780 Impact	6-5/8" x 78-13/16"	(523 sq.in.)

### Notes:

For Optional Grille Locations, See Arch 1.  
Impact Options Available.

Width	Glass	A	B	C	D
12"	0780	11-15/16"	1-1/16"	9-27/32"	5-5/16"
12" Impact	0780	11-15/16"	1-1/8"	9-11/16"	5-3/8"
14"	0780	13-15/16"	2-1/16"	9-27/32"	5-5/16"
14" Impact	0780	13-15/16"	2-1/8"	9-11/16"	5-3/8"

Height	E	F
12" 8/0	82-1/32"	7-15/16"
12" 8/0 Impact	81-7/8"	8"
14" 8/0	82-1/32"	7-15/16"
14" 8/0 Impact	81-7/8"	8"



**8' 3/4 Lite 1 Panel**

Daylight Opening:

2264	20-15/16" x 62-15/16"	(1317 sq.in.)
2264 Impact	20-13/16" x 62-13/16"	(1307 sq.in.)

Notes:

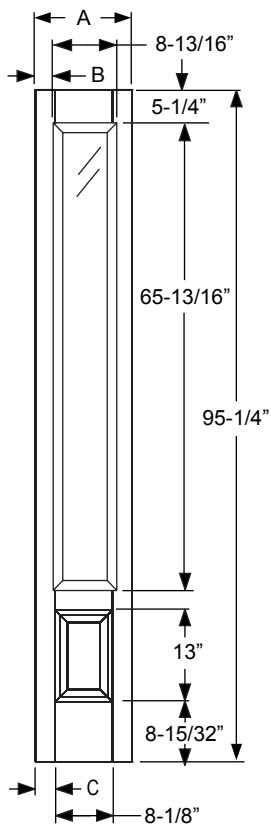
For Optional Grille Locations, See Arch 1.  
Impact Options Available.

Available in:

Fiber-Classic Oak  
Smooth-Star

Fiber-Classic/  
Smooth-Star/  
Steel Panel  
Dimensions

Width	Glass	A	B
2/8	2264	31-13/16"	3-31/32"
2/10	2264	33-13/16"	4-31/32"
3/0	2264	35-13/16"	5-31/32"



**8' 3/4 Lite Sidelite 1 Panel**

Daylight Opening:

0764	5-15/16" x 62-15/16"	(373 sq.in.)
0764 Impact	5-13/16" x 62-13/16"	(365 sq.in.)

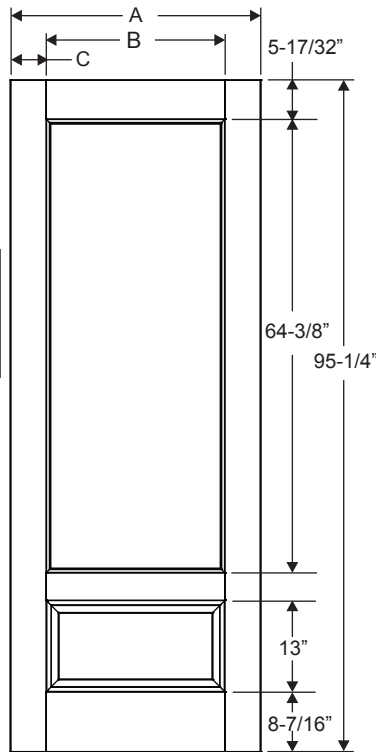
Notes:

For Optional Grille Locations, See Arch 1.  
Impact Options Available.

Available in:

Fiber-Classic Oak  
Fiber-Classic Mahogany  
Smooth-Star

Width	Glass	A	B	C
12"	0764	11-15/16"	1-9/16"	1-29/32"
14"	0764	13-15/16"	2-9/16"	2-29/32"



Fiber-Classic/  
Smooth-Star/  
Steel Panel  
Dimensions

## 8' 3/4 Lite 1 Panel Flush-Glazed

### Daylight Opening:

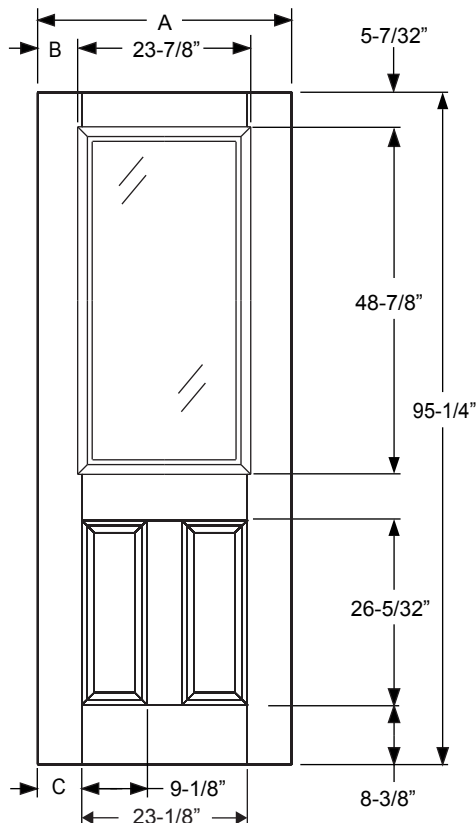
2064	20-1/32" x 63-1/8"	(1264 sq.in.)
2564	24-5/32" x 63-1/8"	(1524 sq.in.)

### Note:

For Optional Grille Locations, See Arch 1.

Available in:  
Smooth-Star

Width	Glass	A	B	C
2/6	2064	29-13/16"	21-7/32"	4-9/32"
2/8	2064	31-13/16"	21-7/32"	5-9/32"
2/10	2564	33-13/16"	25-11/32"	4-7/32"
3/0	2564	35-13/16"	25-11/32"	5-7/32"



## 8' Half Lite 2 Panel

### Daylight Opening:

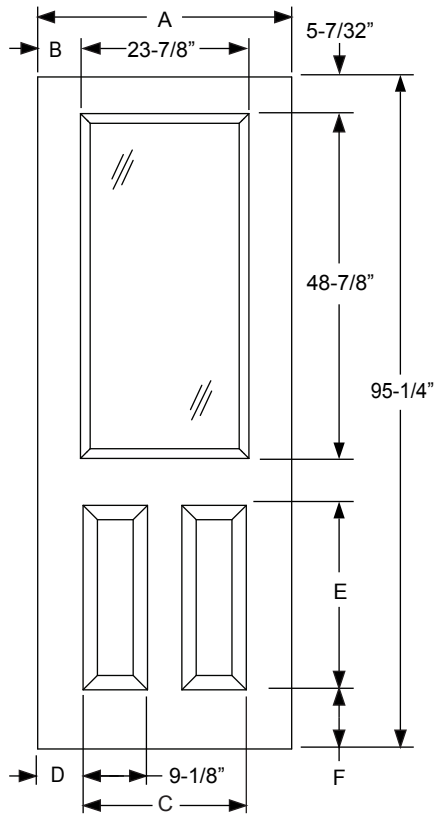
2247	21-1/8" x 46-1/8"	(975 sq.in.)
2247 Impact	20-13/16" x 45-13/16"	(954 sq.in.)

### Notes:

For Optional Grille Locations, See Arch 1.  
Impact Options Available.

Available in:  
Fiber-Classic Oak  
Fiber-Classic Mahogany  
Smooth-Star

Width	Glass	A	B	C
2/8	2247	31-13/16"	3-31/32"	4-11/32"
2/10	2247	33-13/16"	4-31/32"	5-11/32"
3/0	2247	35-13/16"	5-31/32"	6-11/32"



**8' Half Lite 2 Panel Flush**

Daylight Opening:

2247	21-1/8" x 46-1/8"	(975 sq.in.)
2247 Impact	20-13/16" x 45-13/16"	(954 sq.in.)

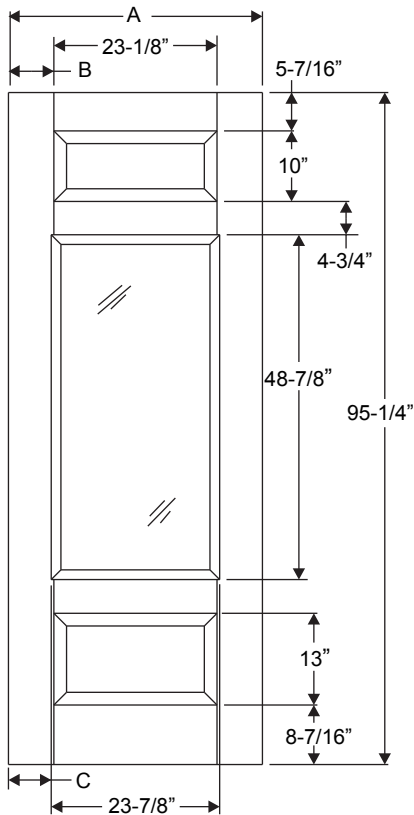
Notes:

For Optional Grille Locations, See Arch 1.  
Impact Options Available.

Available in:  
Traditions

Fiber-Classic/  
Smooth-Star/  
Steel Panel  
Dimensions

Width	Glass	A	B	C	D	E	F
2/8	2247	31-13/16"	3-31/32"	23-1/8"	4-11/32"	26-5/32"	8-3/8"
2/10	2247	33-13/16"	4-31/32"	23-1/8"	5-11/32"	26-5/32"	8-3/8"
3/0	2247	35-13/16"	5-31/32"	23-1/8"	6-11/32"	26-5/32"	8-3/8"



**8' Half Lite 1 Panel Top & Bottom**

Daylight Opening:

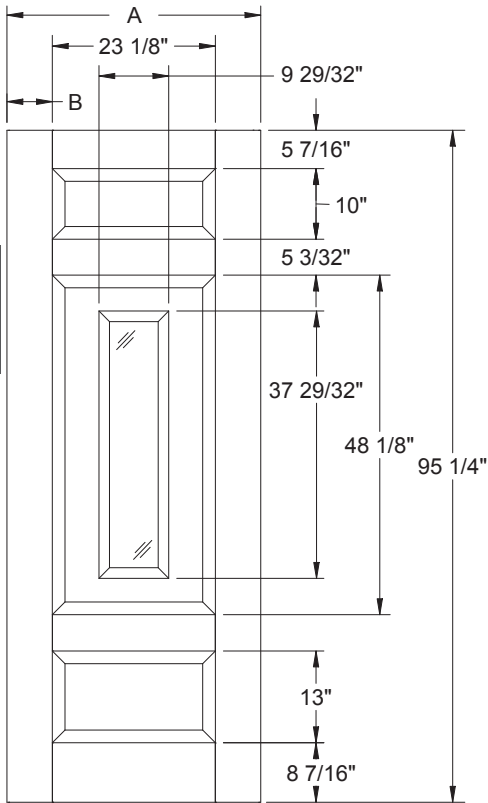
2247	21-1/8" x 46-1/8"	(975 sq.in.)
2247 Impact	20-13/16" x 45-13/16"	(954 sq.in.)

Notes:

For Optional Grille Locations, See Arch 1.  
Impact Options Available.

Available in:  
Fiber-Classic Oak  
Smooth-Star

Width	Glass	A	B	C
2/8	2247	31-13/16"	4-11/32"	3-31/32"
2/10	2247	33-13/16"	5-11/32"	4-31/32"
3/0	2247	35-13/16"	6-11/32"	5-31/32"



Fiber-Classic/  
Smooth-Star/  
Steel Panel  
Dimensions

**8' Center Lite 3 Panel**

Daylight Opening:

0836	6-29/32" x 34-29/32"	(241 sq.in.)
0836 Impact	6-13/16" x 34-13/16"	(237 sq.in.)

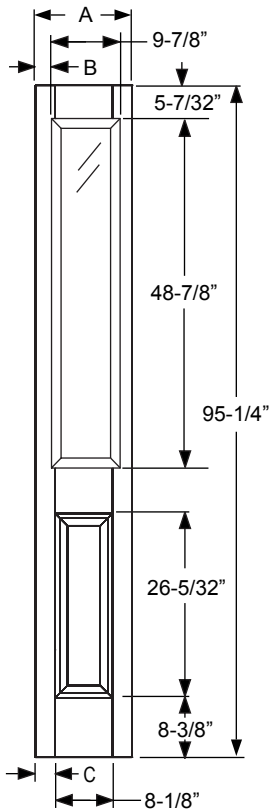
Notes:

For Optional Grille Locations, See Arch 1.  
Impact Options Available.

Available in:

Fiber-Classic Oak  
Smooth-Star

Width	Glass	A	B
2/8	0836	31-13/16"	4-11/32"
2/10	0836	33-13/16"	5-11/32"
3/0	0836	35-13/16"	6-11/32"



**8' Half Lite Sidelite 1 Panel**

Daylight Opening:

0847	6-15/16" x 45-15/16"	(318 sq.in.)
0847 Impact	6-13/16" x 45-11/16"	(365 sq.in.)

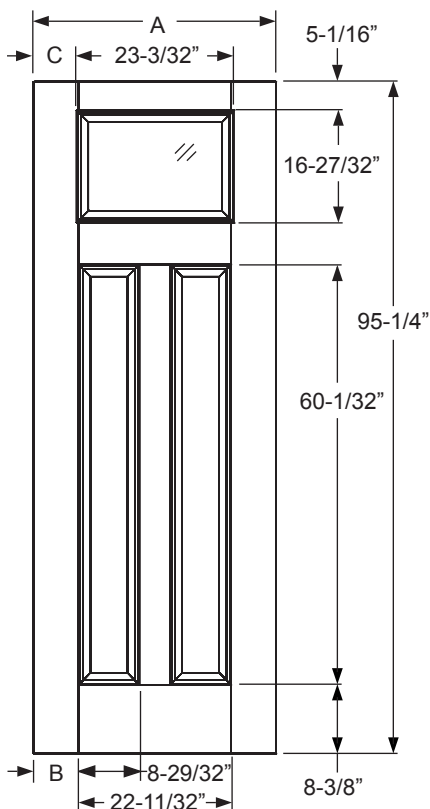
Notes:

For Optional Grille Locations, See Arch 1.  
Impact Options Available.

Available in:

Fiber-Classic Oak  
Fiber-Classic Mahogany  
Smooth-Star

Width	Glass	A	B	C
12"	0847	11-15/16"	1-1/32"	1-29/32"
14"	0847	13-15/16"	2-1/32"	2-29/32"



**8' Craftsman Lite 2 Panel**

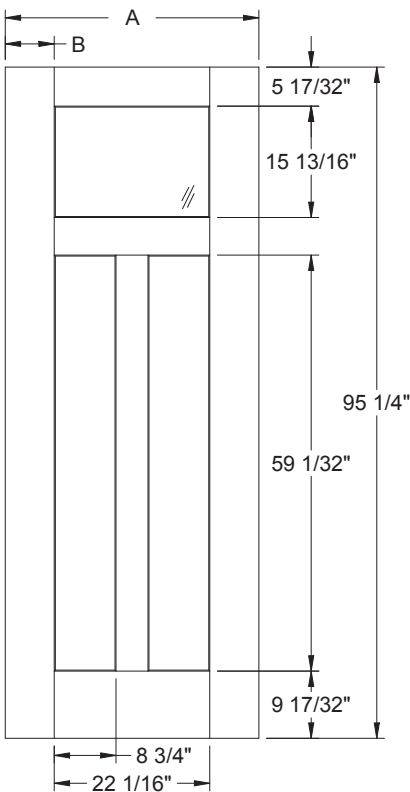
Daylight Opening:  
2115            20-3/32" x 13-27/32"            (278 sq.in.)

Notes:  
For Optional Grille Locations, See Arch 1.  
Impact Options Available.

Available in:  
Smooth-Star

Fiber-Classic/  
Smooth-Star/  
Steel Panel  
Dimensions

Width	Glass	A	B	C
2/8	2115	31-13/16"	4-23/32"	4-11/32"
2/10	2115	33-13/16"	5-23/32"	5-11/32"
3/0	2115	35-13/16"	6-23/32"	6-11/32"



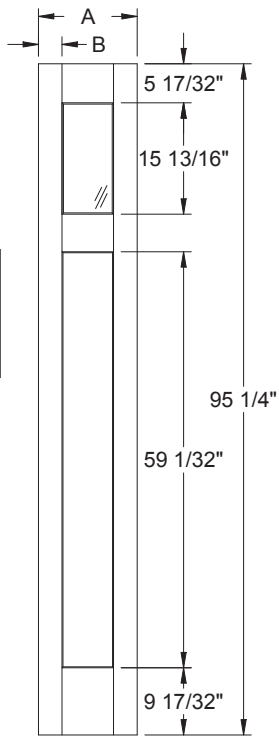
**8' Craftsman Lite 2 Panel Shaker Flush-Glazed**

Daylight Opening:  
2216            21 11/16" x 15 7/16"            (335 sq.in.)

Notes:  
For Optional Grille Locations, See Arch 1.

Available in:  
Smooth-Star

Width	A	B
2/8	31-15/16"	4-29/32"
2/10	33-15/16"	5-29/32"
3/0	35-15/16"	6-29/32"



Fiber-Classic/  
Smooth-Star/  
Steel Panel  
Dimensions

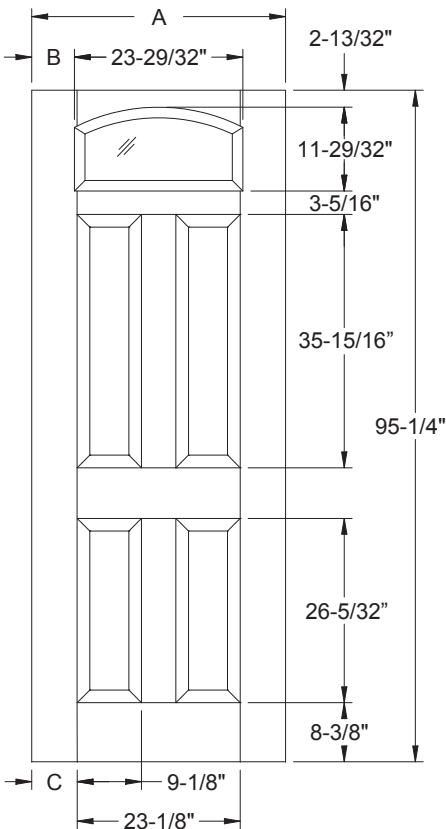
**8' Craftsman Lite Shaker Sidelite Flush-Glazed**

Daylight Opening:  
0816 6 15/16" x 15 7/16" 107 sq.in.

Notes:  
For Optional Grille Locations, See Arch 1.

Available in:  
Smooth-Star

Width	Glass	A	B
12"	0816	12"	2-11/32"
14"	0816	14"	3-11/32"



**8' Camber Top Lite 4 Panel**

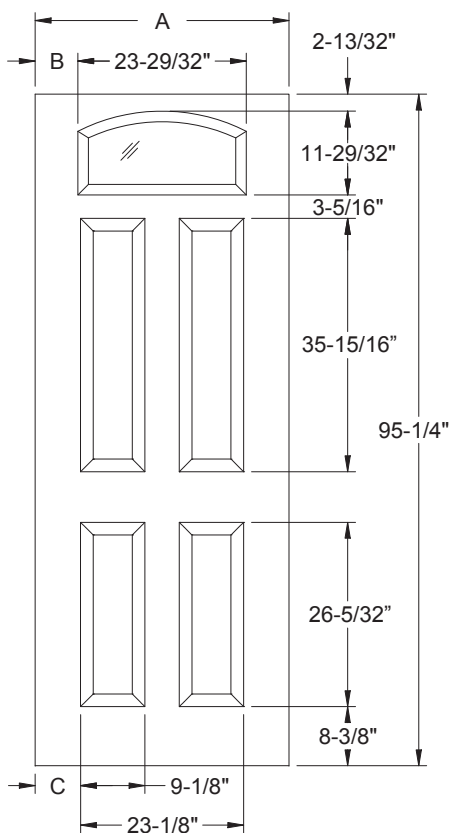
Daylight Opening:  
2210A 20-29/32" x 8-29/32" (170 sq.in.)

Notes:  
For Optional Grille Locations, See Arch 1.

Available in:  
Fiber-Classic Oak  
Fiber-Classic Mahogany  
Smooth-Star

Width	Glass	A	B	C
2/8	2210A	31-13/16"	3-15/16"	4-11/32"
2/10	2210A	33-13/16"	4-15/16"	5-11/32"
3/0	2210A	35-13/16"	5-15/16"	6-11/32"





**8' Camber Top Lite 4 Panel Flush**

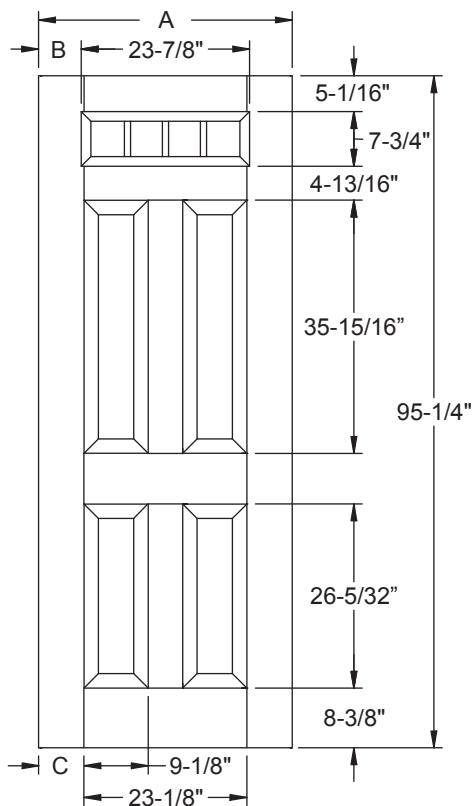
Daylight Opening:  
2210A 20-29/32" x 8-29/32" (170 sq.in.)

Notes:  
For Optional Grille Locations, See Arch 1.

Available in:  
Traditions

Fiber-Classic/  
Smooth-Star/  
Steel Panel  
Dimensions

Width	Glass	A	B	C
2/8	2210A	31-13/16"	3-15/16"	4-11/32"
2/10	2210A	33-13/16"	4-15/16"	5-11/32"
3/0	2210A	35-13/16"	5-15/16"	6-11/32"

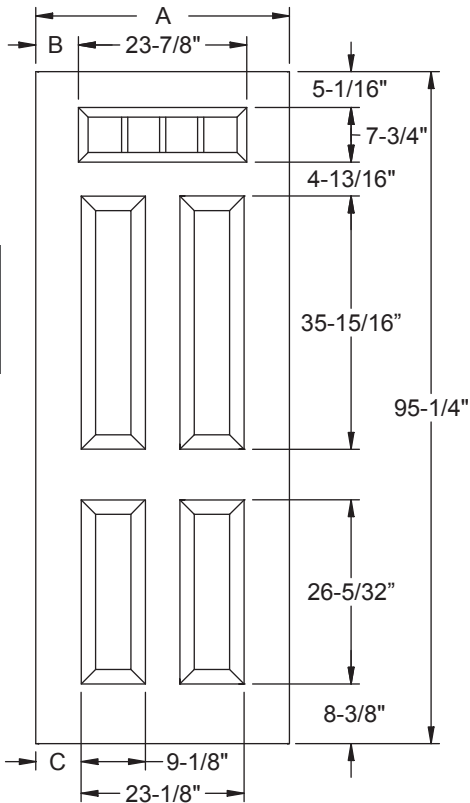


**8' 4 Lite 4 Panel**

Daylight Opening:  
2206 21-1/8" x 5" (93 sq.in.)

Available in:  
Smooth-Star

Width	Glass	A	B	C
2/8	2206	31-13/16"	3-31/32"	4-5/16"
2/10	2206	33-13/16"	4-31/32"	5-5/16"
3/0	2206	35-13/16"	5-31/32"	6-5/16"

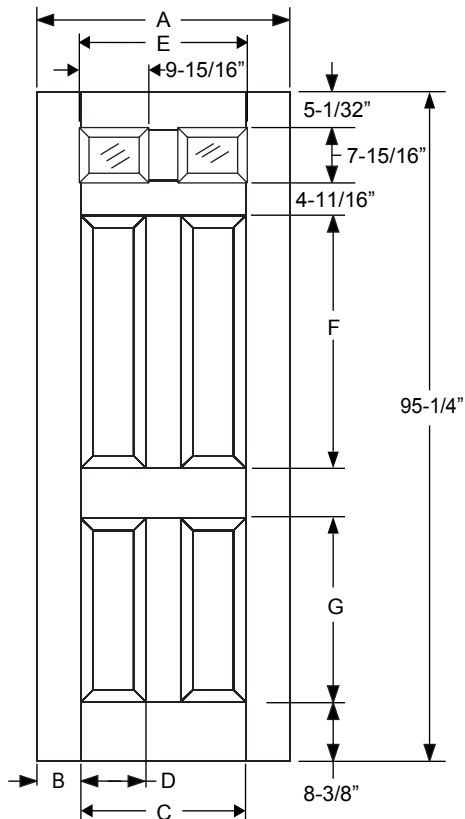


## 8' 4 Lite 4 Panel Flush

Daylight Opening:  
2206 21-1/8" x 5" (93 sq.in.)

Available in:  
Traditions

Width	Glass	A	B	C
2/8	2206	31-13/16"	3-31/32"	4-5/16"
2/10	2206	33-13/16"	4-31/32"	5-5/16"
3/0	2206	35-13/16"	5-31/32"	6-5/16"



## 8' 2 Lite 4 Panel

Daylight Opening:  
0806 6-15/16" x 4-15/16" (34 sq.in. per lite)  
(68 sq.in. total)

Available in:  
Fiber-Classic Oak  
Fiber-Classic Mahogany  
Smooth-Star

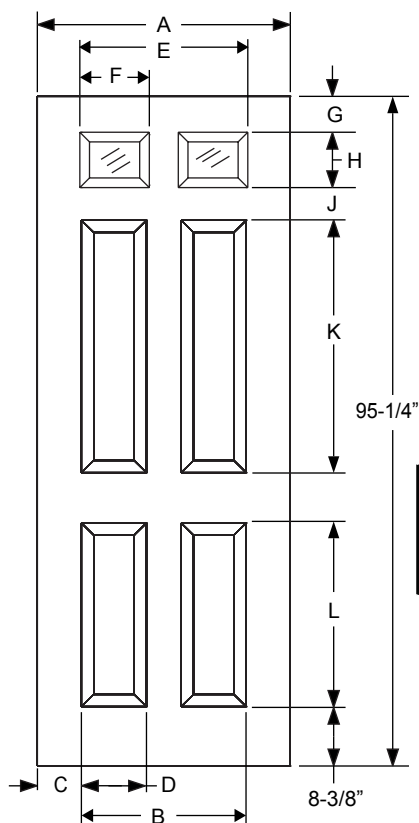
Width	Glass	A	B	C
2/6N*	0806	29-13/16"	4-13/32"	21"
2/8	0806	31-13/16"	4-3/8"	23-1/16"
2/10	0806	33-13/16"	5-3/8"	23-1/16"
3/0	0806	35-13/16"	6-3/8"	23-1/16"

\*Only available in Smooth-Star.

Width	D	E	F	G
2/6N*	8-13/16"	22-1/8"	39-1/2"	23-3/4"
2/8	9-1/8"	23-15/16"	35-15/16"	26-5/32"
2/10	9-1/8"	23-15/16"	35-15/16"	26-5/32"
3/0	9-1/8"	23-15/16"	35-15/16"	26-5/32"

Fiber-Classic/  
Smooth-Star/  
Steel Panel  
Dimensions

**8' 2 Lite 4 Panel Flush**



Daylight Opening:  
0806 6-15/16" x 4-15/16" (34 sq.in. per lite)  
(68 sq.in. total)

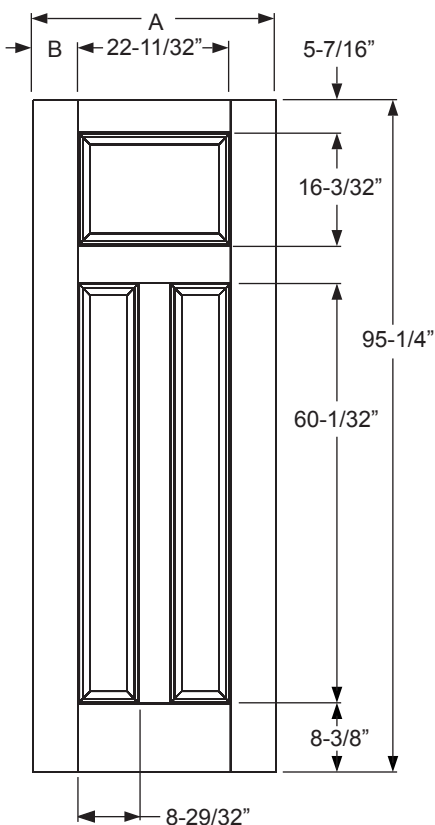
Available in:  
Traditions

Fiber-Classic/  
Smooth-Star/  
Steel Panel  
Dimensions

Width	Glass	A	B	C	D	E	F
2/8	0806	31-13/16"	23-1/8"	4-11/32"	9-1/8"	23-15/16"	9-15/16"
2/10	0806	33-13/16"	23-1/8"	5-11/32"	9-1/8"	23-15/16"	9-15/16"
3/0	0806	35-13/16"	23-1/8"	6-11/32"	9-1/8"	23-15/16"	9-15/16"

Width	G	H	J	K	L
2/8	5-1/32"	7-15/16"	4-21/32"	35-15/16"	26-5/32"
2/10	5-1/32"	7-15/16"	4-21/32"	35-15/16"	26-5/32"
3/0	5-1/32"	7-15/16"	4-21/32"	35-15/16"	26-5/32"

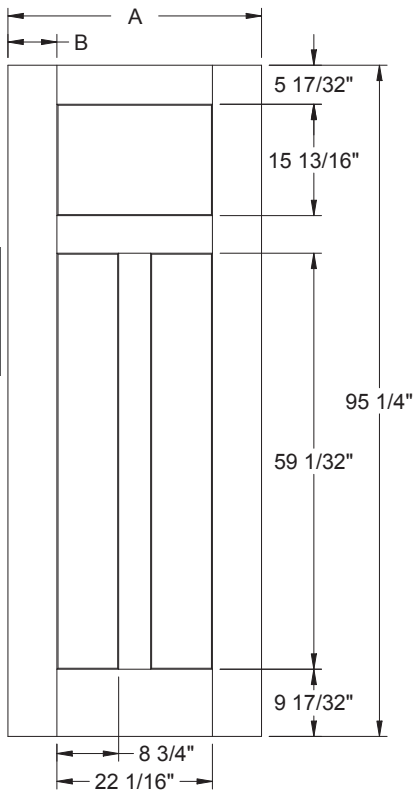
**8' 2 Panel Craftsman**



Note:  
Impact Options Available.

Available in:  
Smooth-Star

Width	A	B
2/8	31-13/16"	4-23/32"
2/10	33-13/16"	5-23/32"
3/0	35-13/16"	6-23/32"

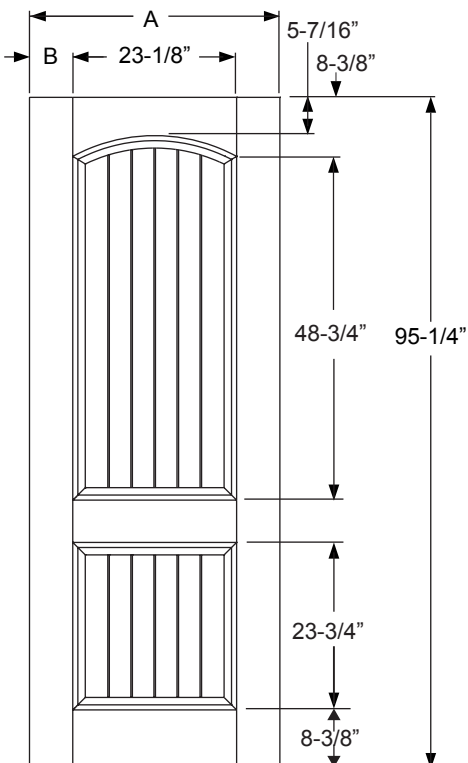


Fiber-Classic/  
Smooth-Star/  
Steel Panel  
Dimensions

**8' 2 Panel Craftsman Shaker**

Available in:  
Smooth-Star

Width	A	B
2/8	31-15/16"	4-29/32"
2/10	33-15/16"	5-29/32"
3/0	35-15/16"	6-29/32"

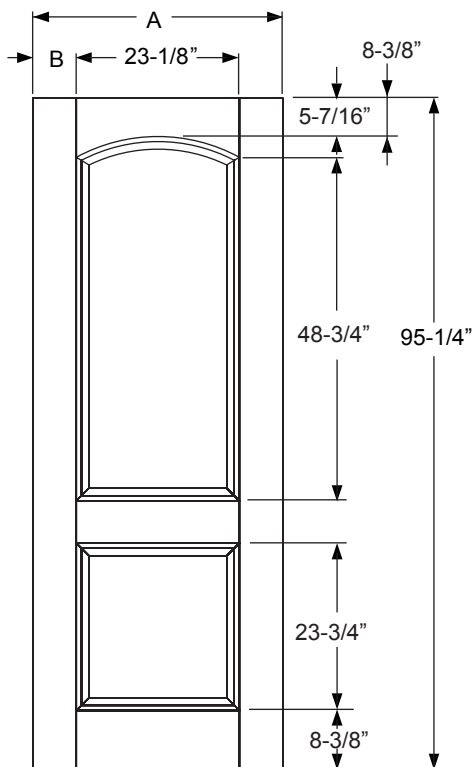


**8' 2 Panel Plank Soft Arch**

Note:  
Impact Options Available.

Available in:  
Smooth-Star

Width	A	B
2/8	31-13/16"	4-11/32"
2/10	33-13/16"	5-11/32"
3/0	35-13/16"	6-11/32"



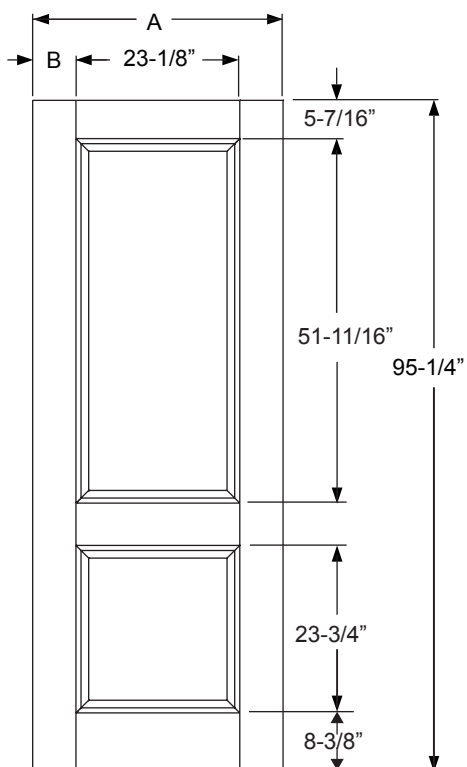
**8' 2 Panel Soft Arch**

Note:  
Impact Options Available.

Available in:  
Smooth-Star

Fiber-Classic/  
Smooth-Star/  
Steel Panel  
Dimensions

Width	A	B
2/8	31-13/16"	4-11/32"
2/10	33-13/16"	5-11/32"
3/0	35-13/16"	6-11/32"

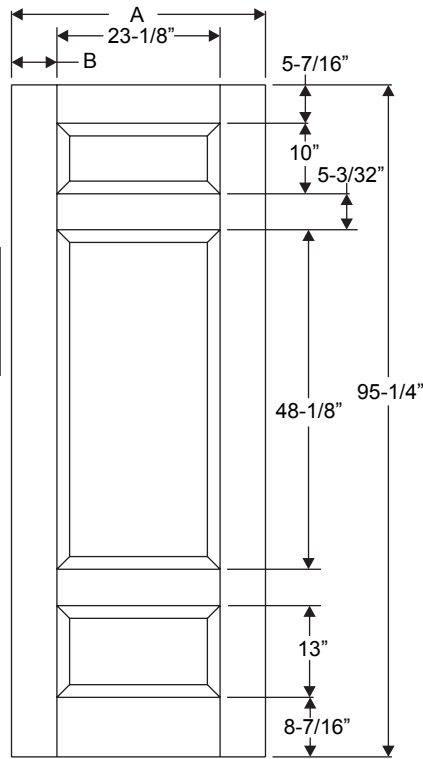


**8' 2 Panel Square Top**

Note:  
Impact Options Available.

Available in:  
Smooth-Star

Width	A	B
2/8	31-13/16"	4-11/32"
2/10	33-13/16"	5-11/32"
3/0	35-13/16"	6-11/32"



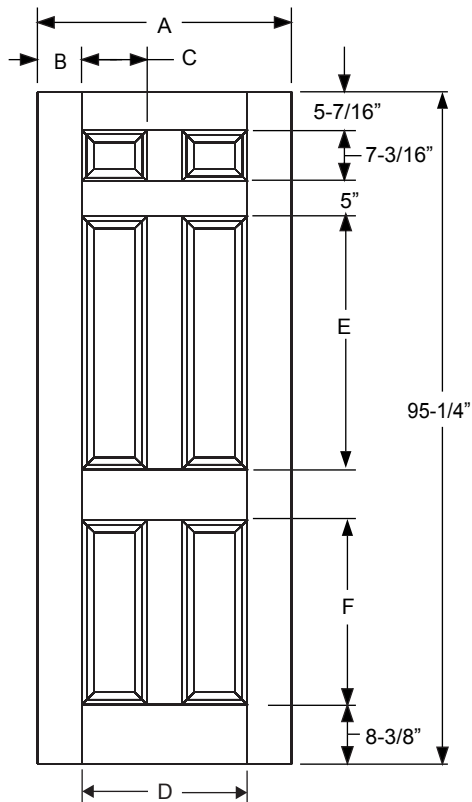
Fiber-Classic/  
Smooth-Star/  
Steel Panel  
Dimensions

## 8' 3 Panel

Note:  
Impact Options Available.

Available in:  
Fiber-Classic Oak  
Smooth-Star

Width	A	B
2/8	31-13/16"	4-11/32"
2/10	33-13/16"	5-11/32"
3/0	35-13/16"	6-11/32"



## 8' 6 Panel

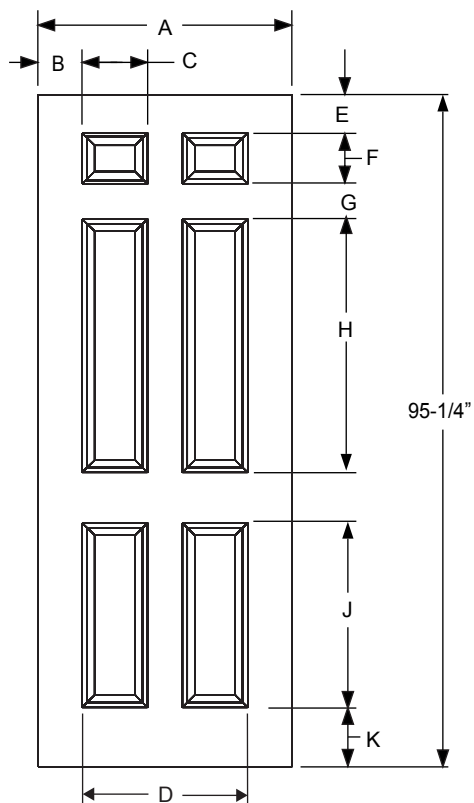
Note:  
Impact Options Available.

Available in:  
Fiber-Classic Oak  
Fiber-Classic Mahogany  
Smooth-Star

Width	A	B	C	D	E	F
2/6N*	29-13/16"	4-13/32"	8-13/16"	21"	39-1/2"	23-3/4"
2/8	31-13/16"	4-11/32"	9-1/8"	23-1/8"	35-15/16"	26-5/32"
2/10	33-13/16"	5-11/32"	9-1/8"	23-1/8"	35-15/16"	26-5/32"
3/0	35-13/16"	6-11/32"	9-1/8"	23-1/8"	35-15/16"	26-5/32"

\*Only available in Smooth-Star.

**8' 6 Panel Flush**



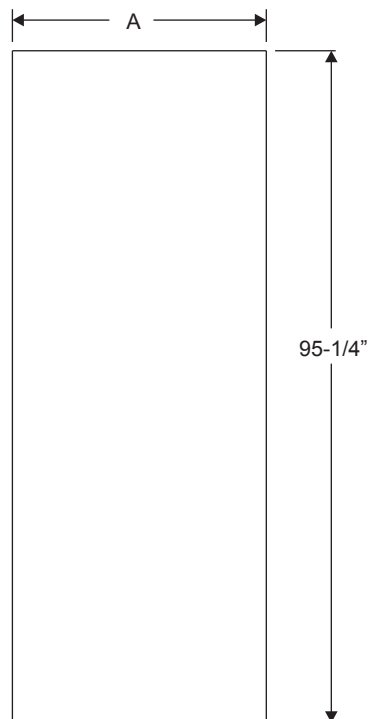
Available in:  
Traditions

Width	A	B	C	D	E
2/6N	29-13/16"	4-5/16"	8-13/16"	21-5/32"	5-17/32"
2/8	31-13/16"	4-11/32"	9-1/8"	23-1/8"	5-7/16"
2/10	33-13/16"	5-11/32"	9-1/8"	23-1/8"	5-7/16"
3/0	35-13/16"	6-11/32"	9-1/8"	23-1/8"	5-7/16"

Width	F	G	H	J	K
2/6N	9-15/16"	4-5/16"	36-3/4"	23-1/16"	8-9/32"
2/8	7-3/16"	5"	35-15/16"	26-5/32"	8-3/8"
2/10	7-3/16"	5"	35-15/16"	26-5/32"	8-3/8"
3/0	7-3/16"	5"	35-15/16"	26-5/32"	8-3/8"

Fiber-Classic/  
Smooth-Star/  
Steel Panel  
Dimensions

**8' Flush Panel**



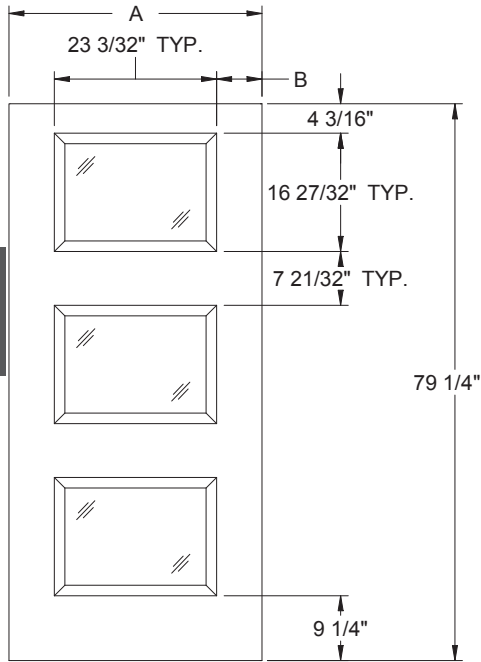
Note:  
Impact Options Available.

Available in:  
Fiber-Classic Oak  
Fiber-Classic Mahogany  
Smooth-Star  
Traditions

Width	A
2/0	23-13/16"
2/4	27-13/16"
2/6	29-13/16"
2/8	31-13/16"
2/10	33-13/16"
3/0	35-13/16"
3/6*	41-13/16"

\*Only available in Smooth-Star.

**6/8 Pulse**



Fiber-Classic/  
Smooth-Star/  
Steel Panel  
Dimensions

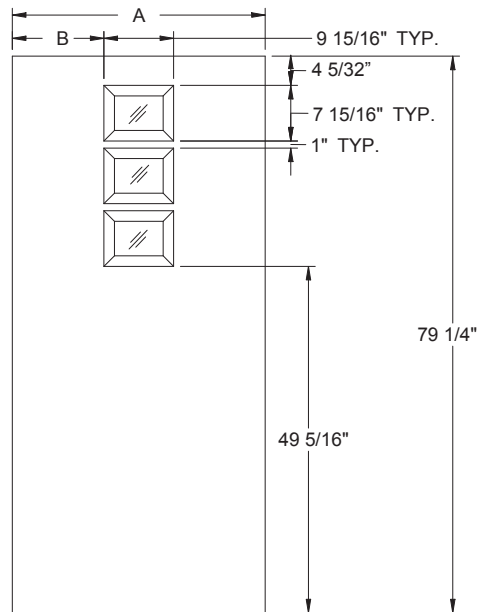
**Ari 3-Lite**

Daylight Opening:  
2115 20-3/32" x 13-27/32" (278 sq.in. per lite)  
(834 sq.in. total)

Available in:  
Fiber-Classic Oak  
Fiber-Classic Mahogany  
Smooth-Star  
Profiles

Width	Glass	A	B
2/6	2115	29-13/16"	3-27/32"*
2/8	2115	31-13/16"	4-11/32"
2/10	2115	33-13/16"	5-11/32"
3/0	2115	35-13/16"	6-11/32"
3/6◇	2115	41-13/16"	9-11/32"

◇Only available in Smooth-Star and Profiles.  
\*Reflects lockside dimension with cutout shifted 1/2" toward hinge side to allow standard bore with 2-3/8" backset.



**Echo 3-Lite Top Center Cluster**

Daylight Opening:  
0806 6-15/16" x 4-15/16" (34 sq.in. per lite)  
(102 sq.in. total)

Available in:  
Fiber-Classic Oak  
Fiber-Classic Mahogany  
Smooth-Star  
Profiles

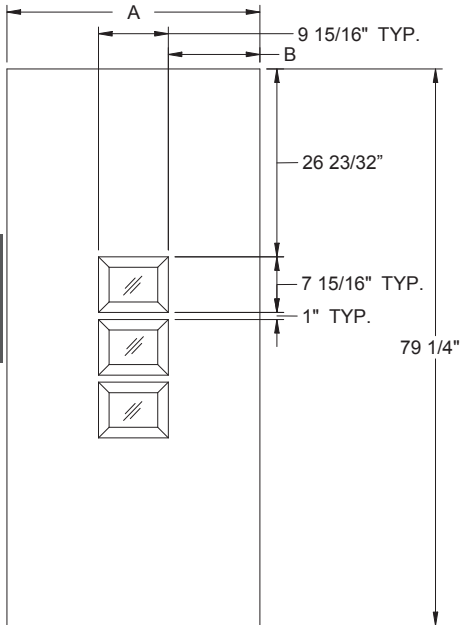
Width	Glass	A	B
2/6	0806	29-13/16"	9-15/16"
2/8	0806	31-13/16"	10-15/16"
2/10	0806	33-13/16"	11-15/16"
3/0	0806	35-13/16"	12-15/16"
3/6*	0806	41-13/16"	15-15/16"

\*Only available in Smooth-Star and Profiles.





**6/8 Pulse**



Fiber-Classic/  
Smooth-Star/  
Steel Panel  
Dimensions

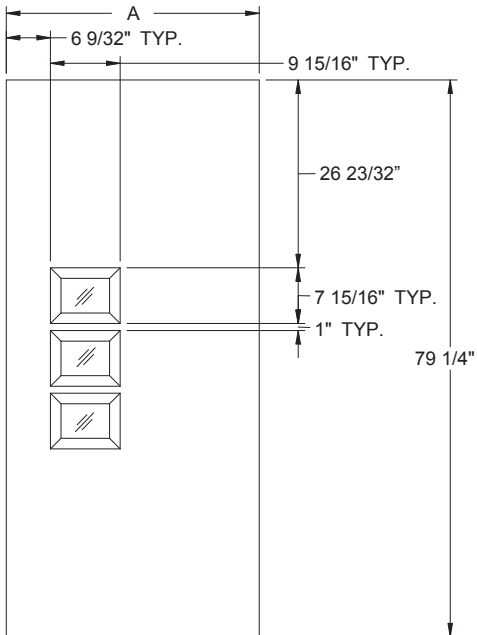
**Echo 3-Lite Middle Center Cluster**

Daylight Opening:  
0806 6-15/16" x 4-15/16" (34 sq.in. per lite)  
(102 sq.in. total)

Available in:  
Fiber-Classic Oak  
Fiber-Classic Mahogany  
Smooth-Star  
Profiles

Width	Glass	A	B
2/6	0806	29-13/16"	9-15/16"
2/8	0806	31-13/16"	10-15/16"
2/10	0806	33-13/16"	11-15/16"
3/0	0806	35-13/16"	12-15/16"
3/6*	0806	41-13/16"	15-15/16"

\*Only available in Smooth-Star and Profiles.



**Echo 3-Lite Middle Offset Cluster**

Daylight Opening:  
0806 6-15/16" x 4-15/16" (34 sq.in. per lite)  
(102 sq.in. total)

Available in:  
Fiber-Classic Oak  
Fiber-Classic Mahogany  
Smooth-Star  
Profiles

Also available  
off set right.

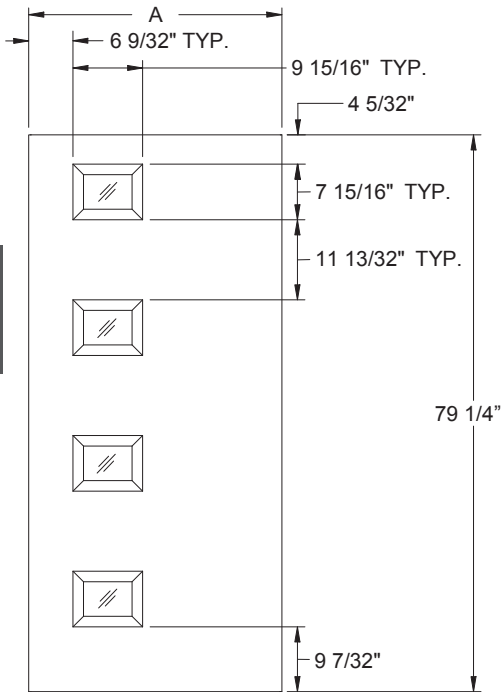


Width	Glass	A
2/6	0806	29-13/16"
2/8	0806	31-13/16"
2/10	0806	33-13/16"
3/0	0806	35-13/16"
3/6*	0806	41-13/16"

\*Only available in Smooth-Star and Profiles.



**6/8 Pulse**



Fiber-Classic/  
Smooth-Star/  
Steel Panel  
Dimensions

**Echo 4-Lite Offset**

Daylight Opening:  
0806 6-15/16" x 4-15/16" (34 sq.in. per lite)  
(136 sq.in. total)

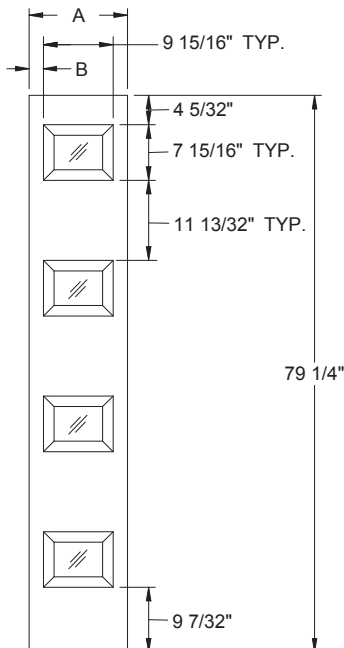
Available in:  
Fiber-Classic Oak  
Fiber-Classic Mahogany  
Smooth-Star  
Profiles

Also available  
offset right.



Width	Glass	A
2/6	0806	29-13/16"
2/8	0806	31-13/16"
2/10	0806	33-13/16"
3/0	0806	35-13/16"
3/6*	0806	41-13/16"

\*Only available in Smooth-Star and Profiles.



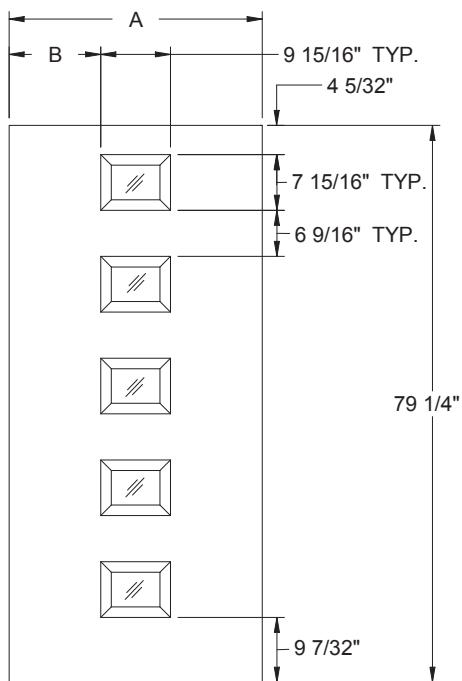
**Echo 4-Lite Sidelite**

Daylight Opening:  
0806 6-15/16" x 4-15/16" (34 sq.in. per lite)  
(136 sq.in. total)

Available in:  
Fiber-Classic Oak  
Fiber-Classic Mahogany  
Smooth-Star  
Traditions

Width	Glass	A	B
12"	0806	11-15/16"	1"
14"	0806	13-15/16"	2"

**Echo 5-Lite Centered**



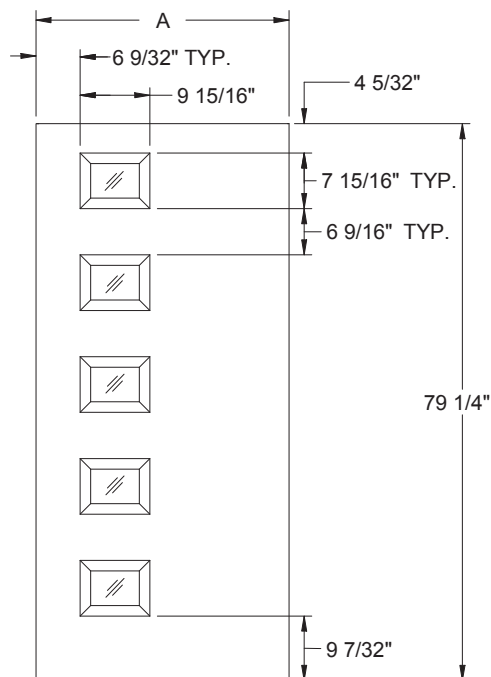
Daylight Opening:  
0806 6-15/16" x 4-15/16" (170 sq.in.)

Available in:  
Fiber-Classic Oak  
Fiber-Classic Mahogany  
Smooth-Star  
Profiles

Fiber-Classic/  
Smooth-Star/  
Steel Panel  
Dimensions

Width	Glass	A	B
2/6	0806	29-13/16"	9-15/16"
2/8	0806	31-13/16"	10-15/16"
2/10	0806	33-13/16"	11-15/16"
3/0	0806	35-13/16"	12-15/16"
3/6*	0806	41-13/16"	15-15/16"

\*Only available in Smooth-Star and Profiles.



**Echo 5-Lite Offset**

Daylight Opening:  
0806 6-15/16" x 4-15/16" (34 sq.in. per lite)  
(170 sq.in. total)

Available in:  
Fiber-Classic Oak  
Fiber-Classic Mahogany  
Smooth-Star  
Profiles

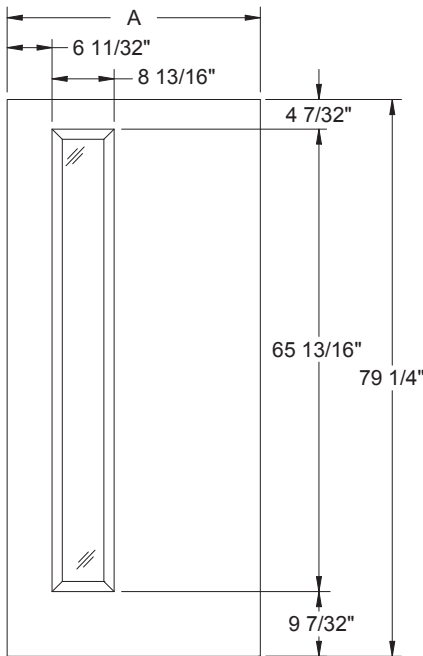
Also available  
offset right.



Width	Glass	A
2/6	0806	29-13/16"
2/8	0806	31-13/16"
2/10	0806	33-13/16"
3/0	0806	35-13/16"
3/6*	0806	41-13/16"

\*Only available in Smooth-Star and Profiles.





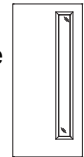
**Linea Offset**

Daylight Opening:  
 0764 5-15/16" x 62-15/16" (373 sq.in.)  
 0764 Impact 5-13/16" x 62-13/16" (365 sq.in.)

Notes:  
 Impact Options Available.

Available in:  
 Fiber-Classic Oak  
 Fiber-Classic Mahogany  
 Smooth-Star  
 Profiles

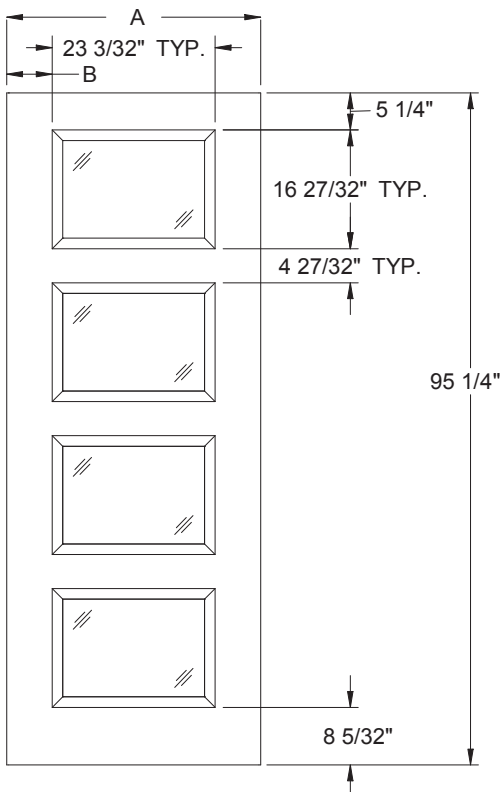
Also available  
 offset right.



Fiber-Classic/  
 Smooth-Star/  
 Steel Panel  
 Dimensions

Width	Glass	A
2/6	0764	29-13/16"
2/8	0764	31-13/16"
2/10	0764	33-13/16"
3/0	0764	35-13/16"
3/6*	0764	41-13/16"

\*Only available in Smooth-Star and Profiles.



**8' Ari 4-Lite**

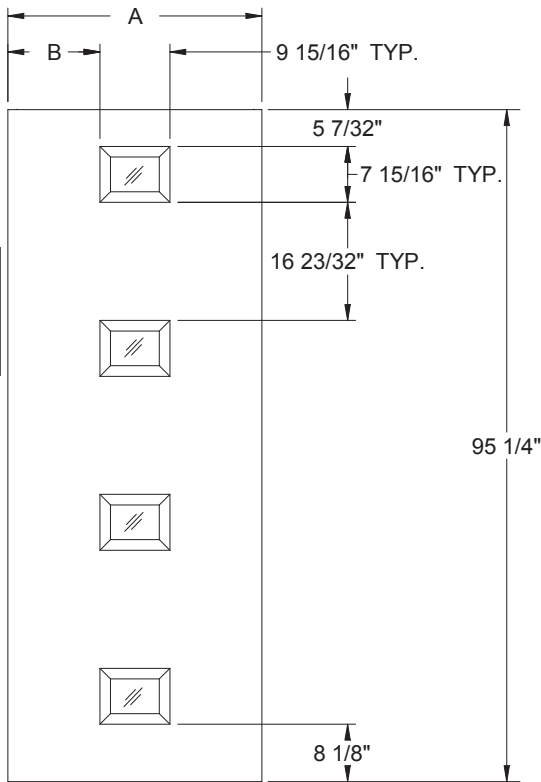
Daylight Opening:  
 2115 20-3/32" x 13-27/32" (278 sq.in. per lite)  
 (1108 sq.in. total)

Available in:  
 Fiber-Classic Oak  
 Fiber-Classic Mahogany  
 Smooth-Star  
 Traditions

Width	Glass	A	B
2/8	2115	31-13/16"	4-11/32"
2/10	2115	33-13/16"	5-11/32"
3/0	2115	35-13/16"	6-11/32"
3/6*	2115	41-13/16"	9-11/32"

\*Only available in Smooth-Star.

**8/0 Pulse**



Fiber-Classic/  
Smooth-Star/  
Steel Panel  
Dimensions

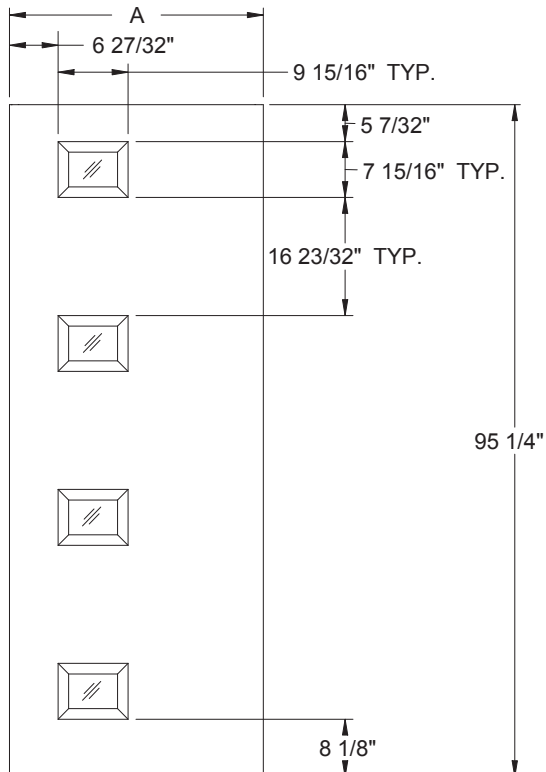
**8' Echo 4-Lite Centered**

Daylight Opening:  
0806 6-15/16" x 4-15/16" (34 sq.in. per lite)  
(136 sq.in. total)

Available in:  
Fiber-Classic Oak  
Fiber-Classic Mahogany  
Smooth-Star  
Traditions

Width	Glass	A	B
2/6	0806	29-13/16"	9-15/16"
2/8	0806	31-13/16"	10-15/16"
2/10	0806	33-13/16"	11-15/16"
3/0	0806	35-13/16"	12-15/16"
3/6*	0806	41-13/16"	15-15/16"

\*Only available in Smooth-Star.



**8' Echo 4-Lite Offset**

Daylight Opening:  
0806 6-15/16" x 4-15/16" (34 sq.in. per lite)  
(136 sq.in. total)

Available in:  
Fiber-Classic Oak  
Fiber-Classic Mahogany  
Smooth-Star  
Traditions

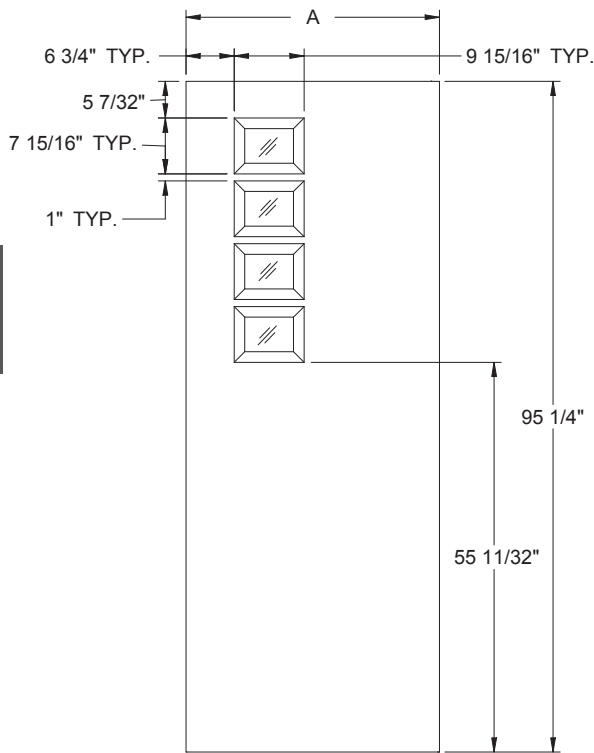
Width	Glass	A
2/6	0806	29-13/16"
2/8	0806	31-13/16"
2/10	0806	33-13/16"
3/0	0806	35-13/16"
3/6*	0806	41-13/16"

\*Only available in Smooth-Star.





Fiber-Classic/  
Smooth-Star/  
Steel Panel  
Dimensions

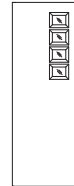


**8' Echo 4-Lite Top Offset Cluster**

Daylight Opening:  
0806 6-15/16" x 4-15/16" (34 sq.in. per lite)  
(136 sq.in. total)

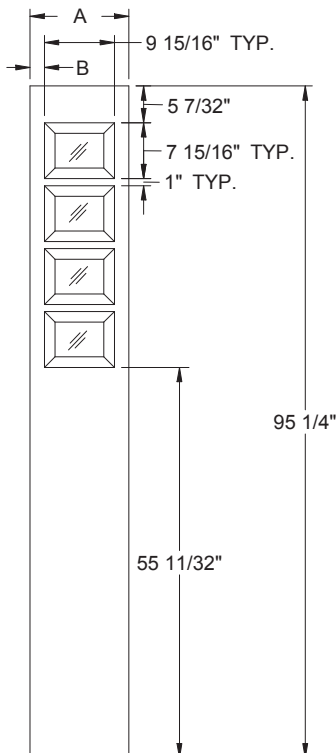
Available in:  
Fiber-Classic Oak  
Fiber-Classic Mahogany  
Smooth-Star  
Traditions

Also available  
offset right.



Width	Glass	A
2/6	0806	29-13/16"
2/8	0806	31-13/16"
2/10	0806	33-13/16"
3/0	0806	35-13/16"
3/6*	0806	41-13/16"

\*Only available in Smooth-Star.

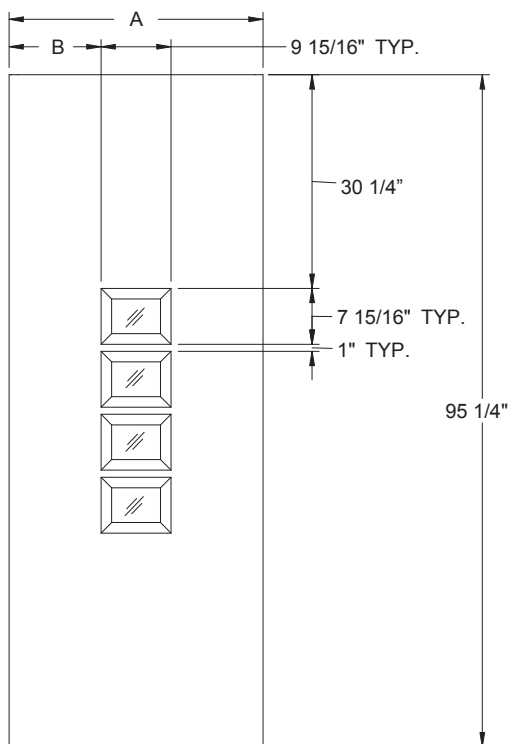


**8' Echo 4-Lite Sidelite Top Cluster**

Daylight Opening:  
0806 6-15/16" x 4-15/16" (34 sq.in. per lite)  
(136 sq.in. total)

Available in:  
Fiber-Classic Oak  
Fiber-Classic Mahogany  
Smooth-Star  
Traditions

Width	Glass	A	B
12"	0806	11-15/16"	1"
14"	0806	13-15/16"	2"



**8' Echo 4-Lite Middle Center Cluster**

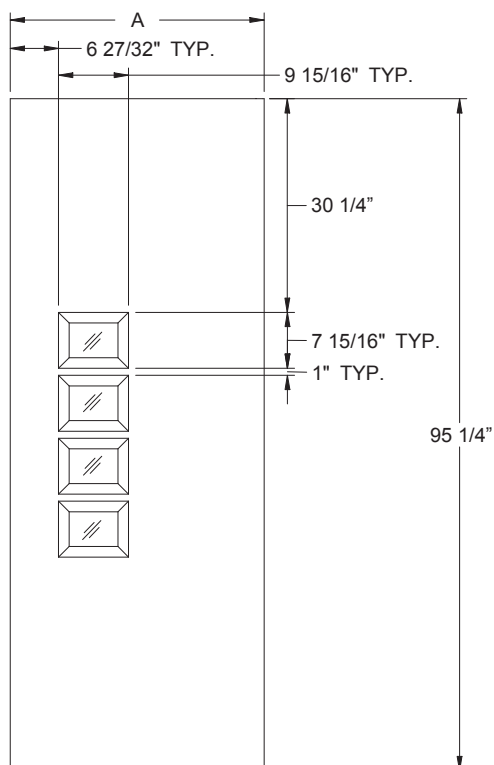
Daylight Opening:  
0806 6-15/16" x 4-15/16" (34 sq.in. per lite)  
(136 sq.in. total)

Available in:  
Fiber-Classic Oak  
Fiber-Classic Mahogany  
Smooth-Star  
Traditions

Fiber-Classic/  
Smooth-Star/  
Steel Panel  
Dimensions

Width	Glass	A	B
2/6	0806	29-13/16"	9-15/16"
2/8	0806	31-13/16"	10-15/16"
2/10	0806	33-13/16"	11-15/16"
3/0	0806	35-13/16"	12-15/16"
3/6*	0806	41-13/16"	15-15/16"

\*Only available in Smooth-Star.



**8' Echo 4-Lite Middle Offset Cluster**

Daylight Opening:  
0806 6-15/16" x 4-15/16" (34 sq.in. per lite)  
(136 sq.in. total)

Available in:  
Fiber-Classic Oak  
Fiber-Classic Mahogany  
Smooth-Star  
Traditions

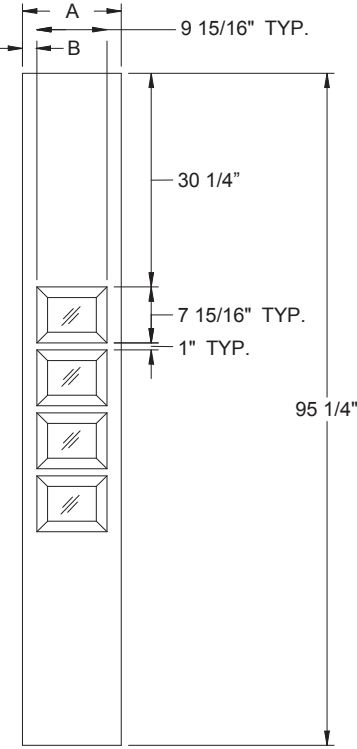
Also available  
offset right.



Width	Glass	A
2/6	0806	29-13/16"
2/8	0806	31-13/16"
2/10	0806	33-13/16"
3/0	0806	35-13/16"
3/6*	0806	41-13/16"

\*Only available in Smooth-Star.

**8/0 Pulse**



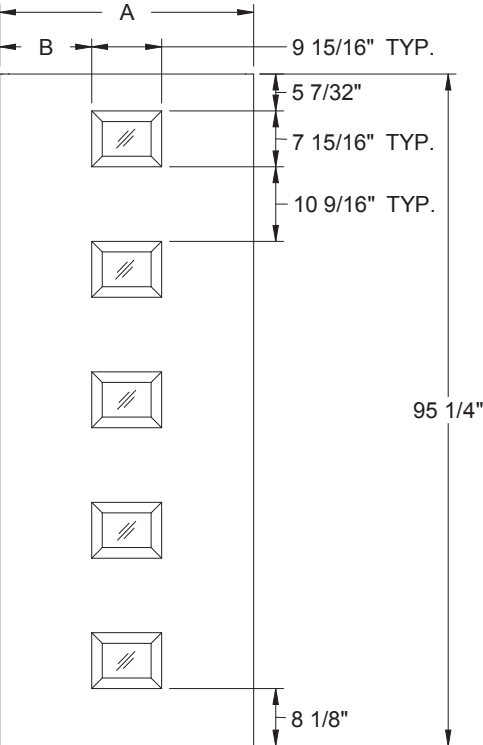
Fiber-Classic/  
Smooth-Star/  
Steel Panel  
Dimensions

**8' Echo 4-Lite Sidelite Middle Cluster**

Daylight Opening:  
0806 6-15/16" x 4-15/16" (34 sq.in. per lite)  
(136 sq.in. total)

Available in:  
Fiber-Classic Oak  
Fiber-Classic Mahogany  
Smooth-Star  
Traditions

Width	Glass	A	B
12"	0806	11-15/16"	1"
14"	0806	13-15/16"	2"



**8' Echo 5-Lite Centered**

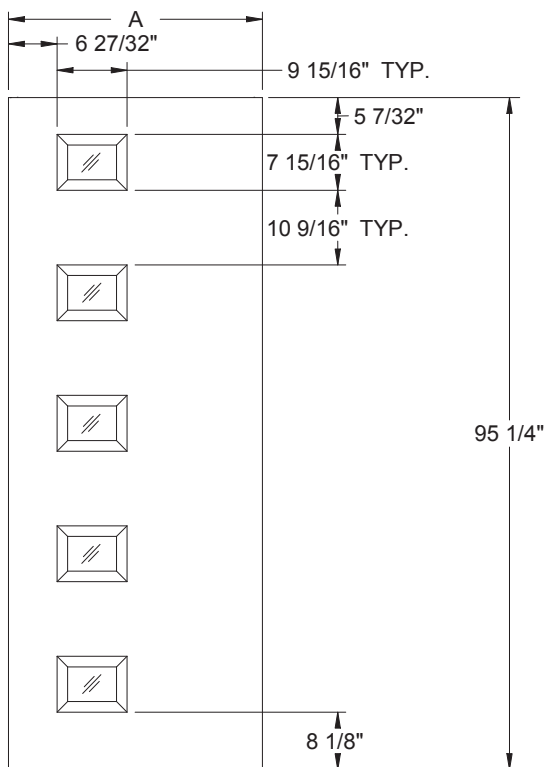
Daylight Opening:  
0806 6-15/16" x 4-15/16" (34 sq.in. per lite)  
(170 sq.in. total)

Available in:  
Fiber-Classic Oak  
Fiber-Classic Mahogany  
Smooth-Star  
Traditions

Width	Glass	A	B
2/6	0806	29-13/16"	9-15/16"
2/8	0806	31-13/16"	10-15/16"
2/10	0806	33-13/16"	11-15/16"
3/0	0806	35-13/16"	12-15/16"
3/6*	0806	41-13/16"	15-15/16"

\*Only available in Smooth-Star.

**8' Echo 5-Lite Offset**



Daylight Opening:  
0806 6-15/16" x 4-15/16" (34 sq.in. per lite)  
(170 sq.in. total)

Available in:  
Fiber-Classic Oak  
Fiber-Classic Mahogany  
Smooth-Star  
Traditions

Also available  
offset right.

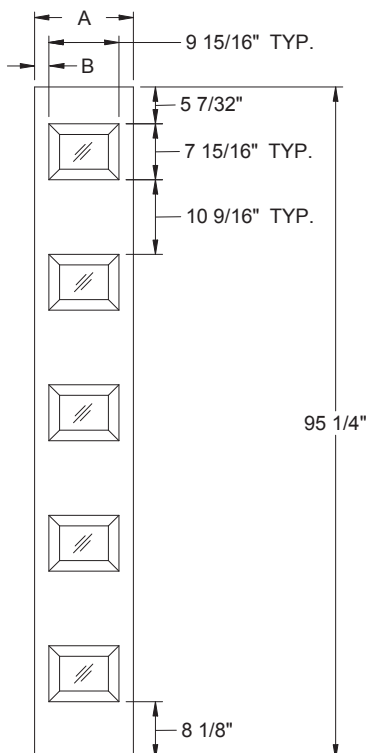


Fiber-Classic/  
Smooth-Star/  
Steel Panel  
Traditions

Width	Glass	A
2/6	0806	29-13/16"
2/8	0806	31-13/16"
2/10	0806	33-13/16"
3/0	0806	35-13/16"
3/6*	0806	41-13/16"

\*Only available in Smooth-Star.

**8' Echo 5-Lite Sidelite**

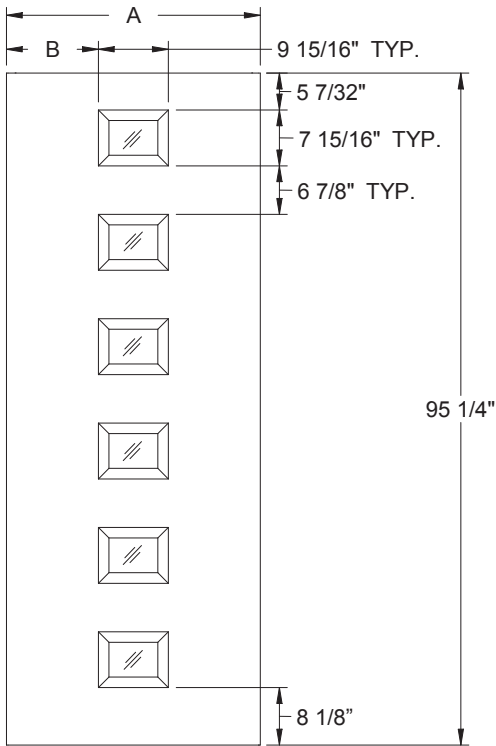


Daylight Opening:  
0806 6-15/16" x 4-15/16" (34 sq.in. per lite)  
(170 sq.in. total)

Available in:  
Fiber-Classic Oak  
Fiber-Classic Mahogany  
Smooth-Star  
Traditions

Width	Glass	A	B
12"	0806	11-15/16"	1"
14"	0806	13-15/16"	2"

**8/0 Pulse**



Fiber-Classic/  
Smooth-Star/  
Steel Panel  
Dimensions

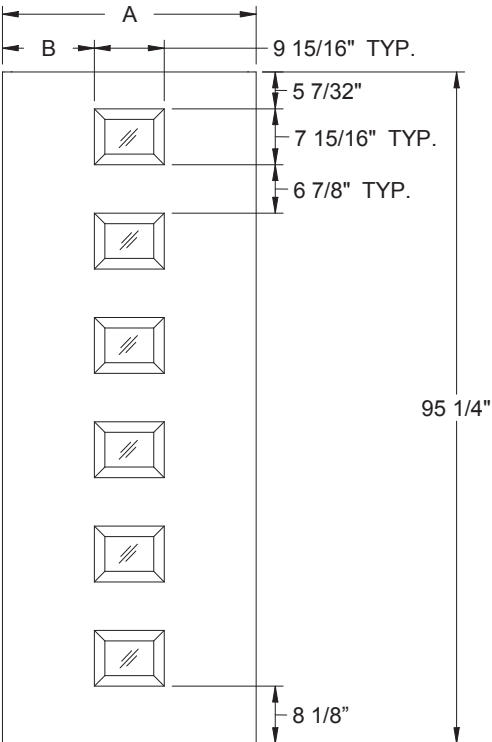
**8' Echo 6-Lite Centered**

Daylight Opening:  
0806 6-15/16" x 4-15/16" (34 sq.in. per lite)  
(204 sq.in. total)

Available in:  
Fiber-Classic Oak  
Fiber-Classic Mahogany  
Smooth-Star  
Traditions

Width	Glass	A	B
2/6	0806	29-13/16"	9-15/16"
2/8	0806	31-13/16"	10-15/16"
2/10	0806	33-13/16"	11-15/16"
3/0	0806	35-13/16"	12-15/16"
3/6*	0806	41-13/16"	15-15/16"

\*Only available in Smooth-Star.



**8' Echo 6-Lite Centered**

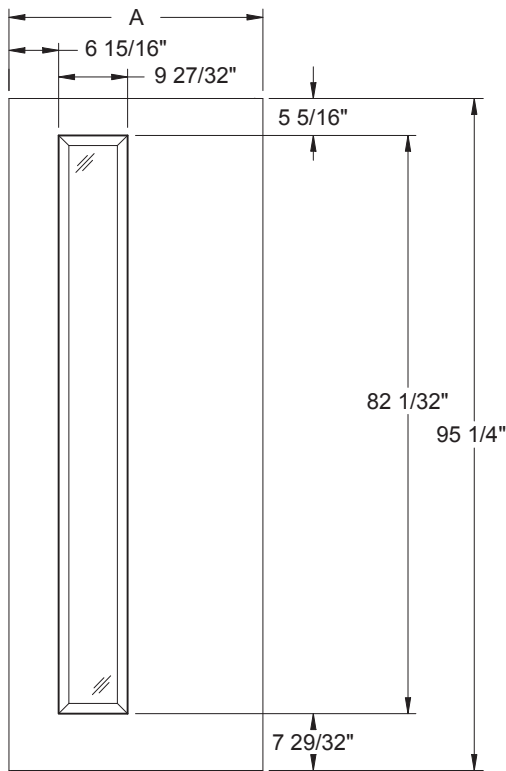
Daylight Opening:  
0806 6-15/16" x 4-15/16" (34 sq.in. per lite)  
(204 sq.in. total)

Available in:  
Fiber-Classic Oak  
Fiber-Classic Mahogany  
Smooth-Star  
Traditions

Width	Glass	A	B
2/6	0806	29-13/16"	9-15/16"
2/8	0806	31-13/16"	10-15/16"
2/10	0806	33-13/16"	11-15/16"
3/0	0806	35-13/16"	12-15/16"
3/6*	0806	41-13/16"	15-15/16"

\*Only available in Smooth-Star.





## 8' Linea Offset

### Daylight Opening:

0780	6-7/8" x 79-1/16"	(545 sq.in.)
0780 Impact	6-5/8" x 78-13/16"	(523 sq.in.)

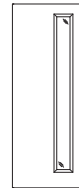
### Notes:

Impact Options Available.

### Available in:

Fiber-Classic Oak  
Fiber-Classic Mahogany  
Smooth-Star  
Traditions

Also available  
offset right.



Width	Glass	A
2/6	0780	29-13/16"
2/8	0780	31-13/16"
2/10	0780	33-13/16"
3/0	0780	35-13/16"
3/6*	0780	41-13/16"

\*Only available in Smooth-Star.

**This section intentionally left blank.**