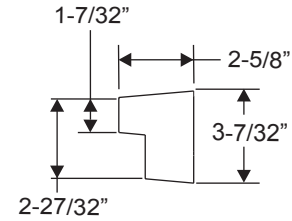
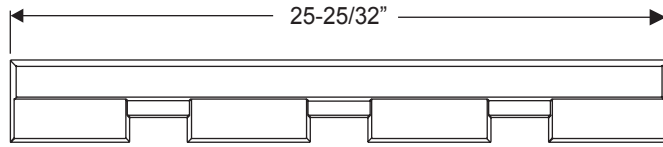


Dentil Shelves 12.3
Transport Clips 12.4
Corner Seal Pads..... 12.5
Jamb Spacer Shim 12.7
Lock Bore Sleeve..... 12.8
Outswing Jamb Kerf Plug..... 12.9

Accessories

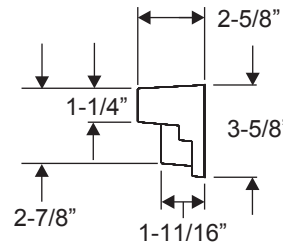
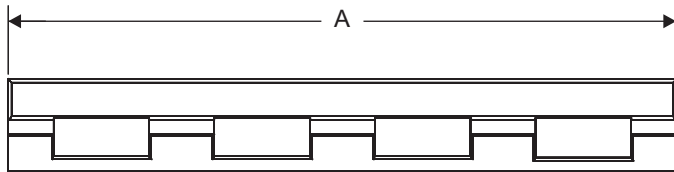
4 Block Dentil Shelf

Available in:
Classic-Craft Canvas



4 Block Dentil Shelf

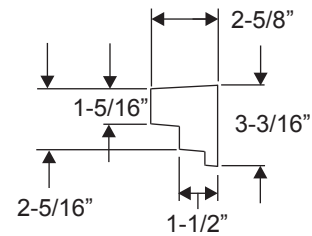
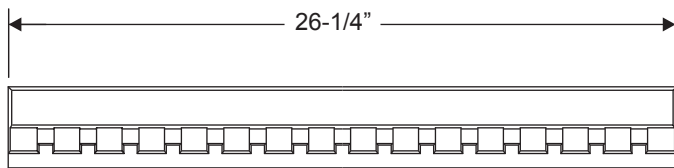
Available in:
Classic-Craft American



| Door Width | A |
|------------|---------|
| 3/0 | 26-1/4" |
| 3/6 | 35-1/8" |

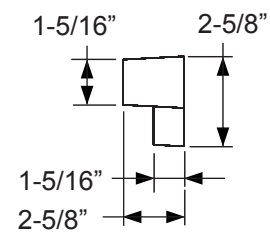
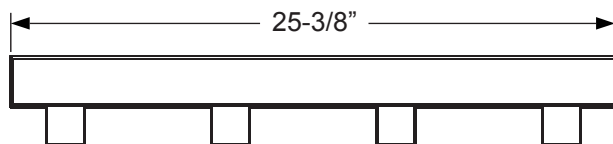
16 Block Dentil Shelf

Available in:
Classic-Craft American

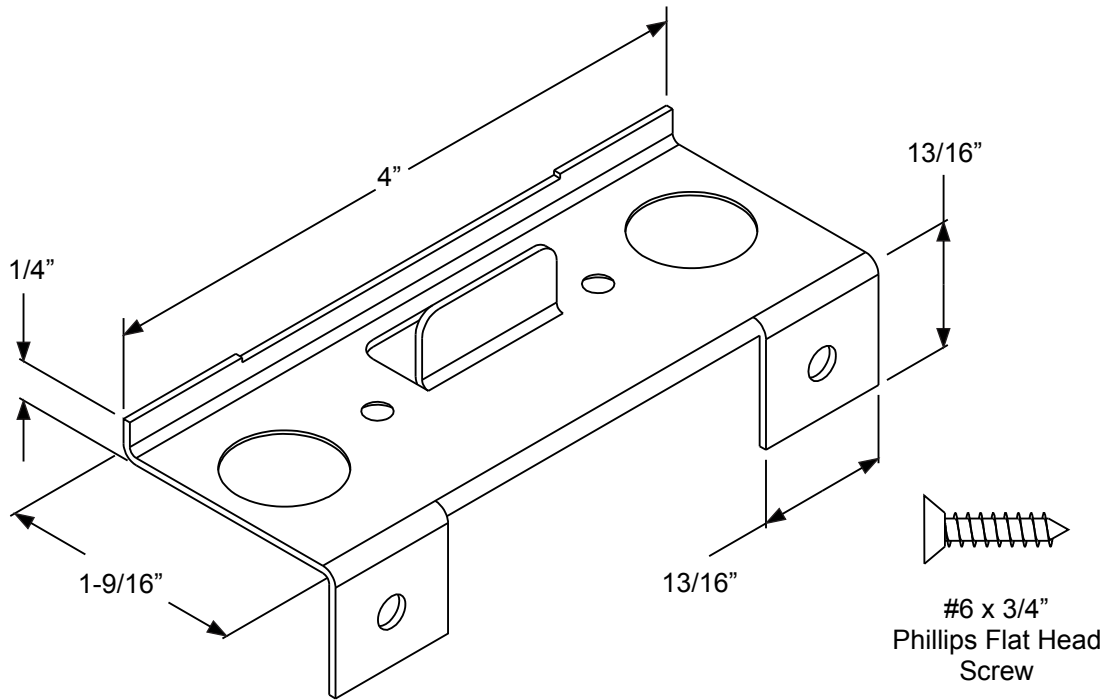


4 Block Dentil Shelf

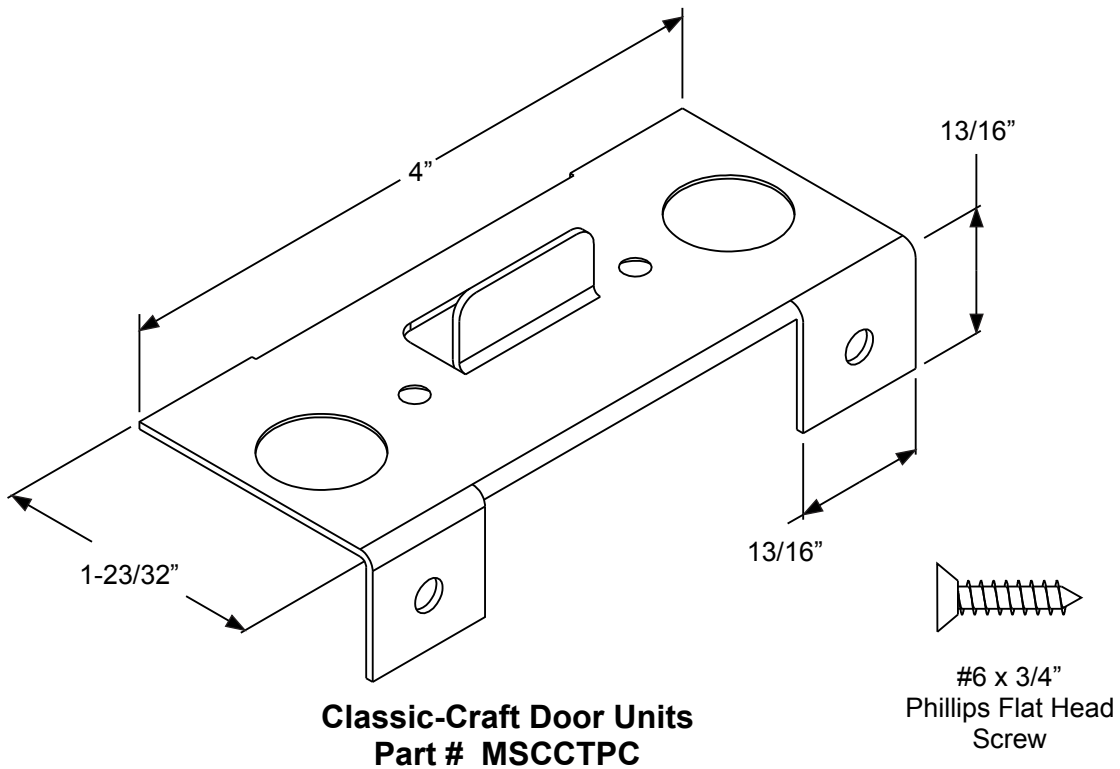
Available in:
Fiber-Classic Mahogany
Smooth-Star



Accessories

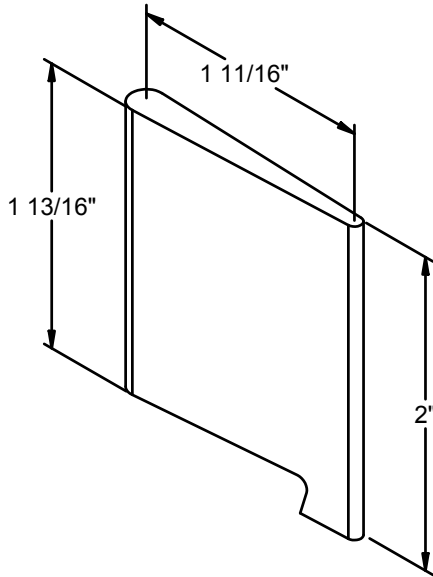


Fiber-C Classic, Smooth-Star and Steel Door Units
Part # MS00TPC

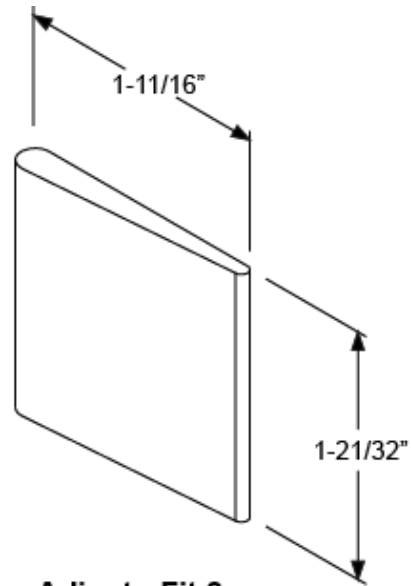


Classic-Craft Door Units
Part # MSCCTPC

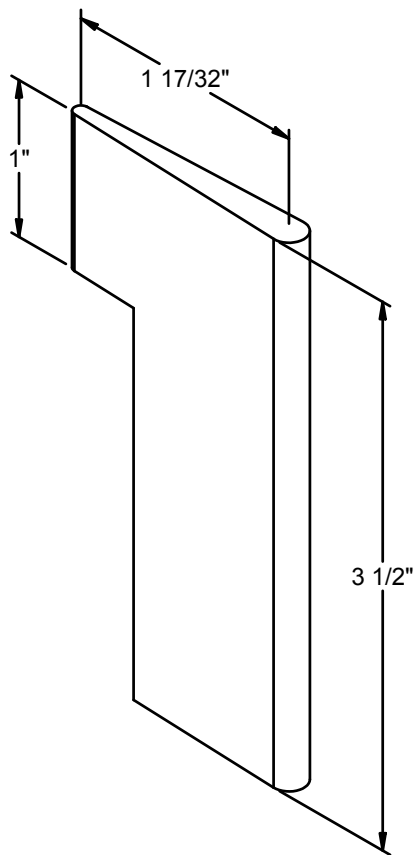
Accessories



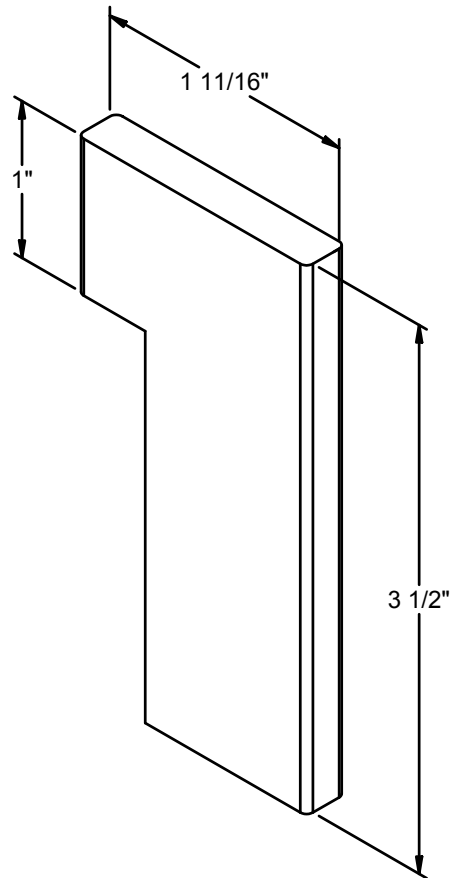
For Basic Fixed Sills
(Pads are handed)



For Adjusta-Fit 2

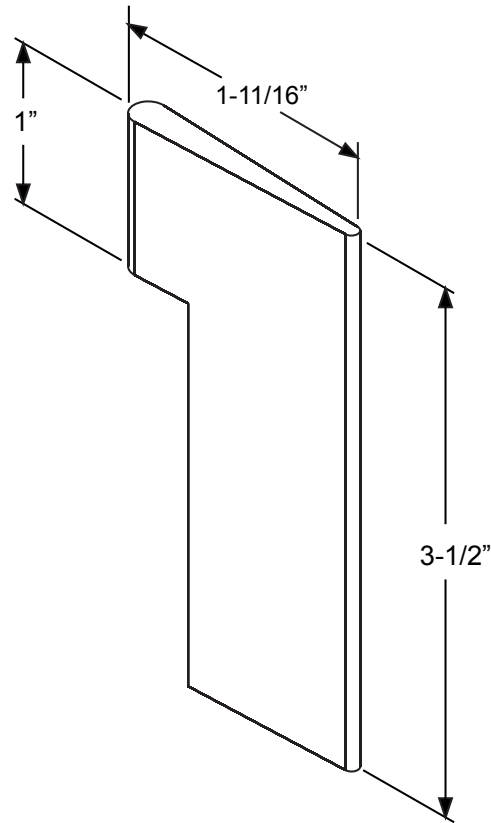


Classic-Craft
for Hinge Jambs/Mullions
(Pads are handed)

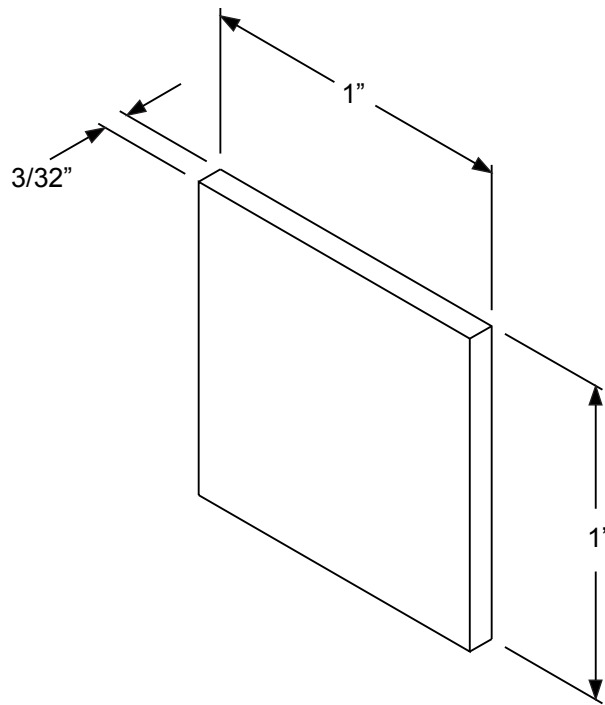


Classic-Craft
for Lock Jambs/Mullions
(Pads are handed)

Accessories

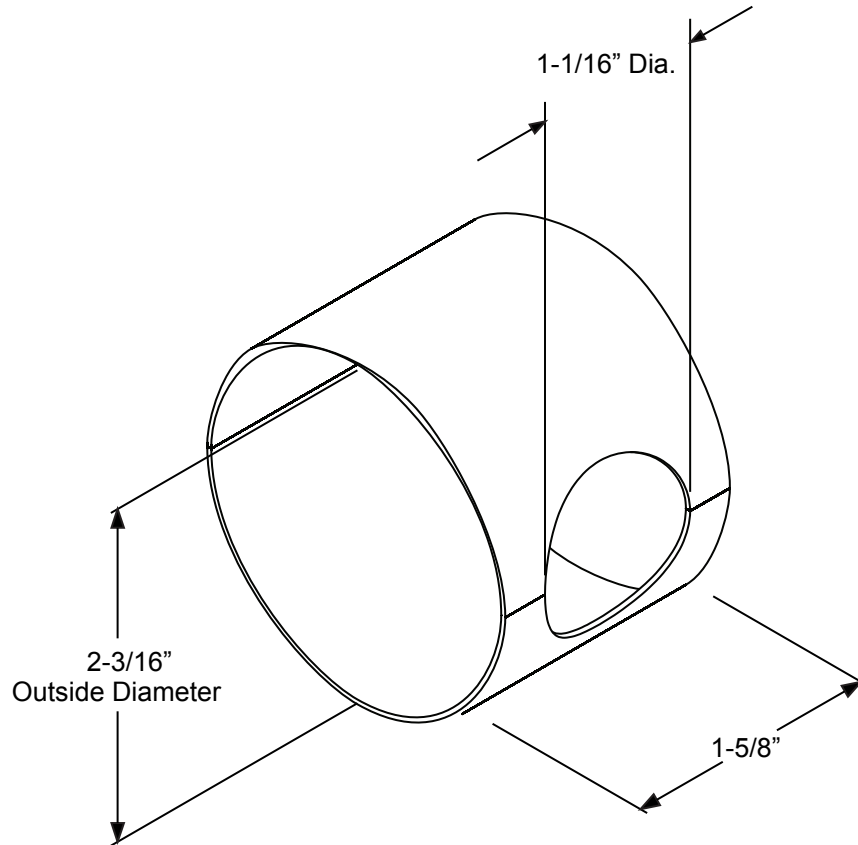


**Stepped Corner Seal Pad
for Composite/Hardwood
Adjustable Sill**
(Pads are handed)



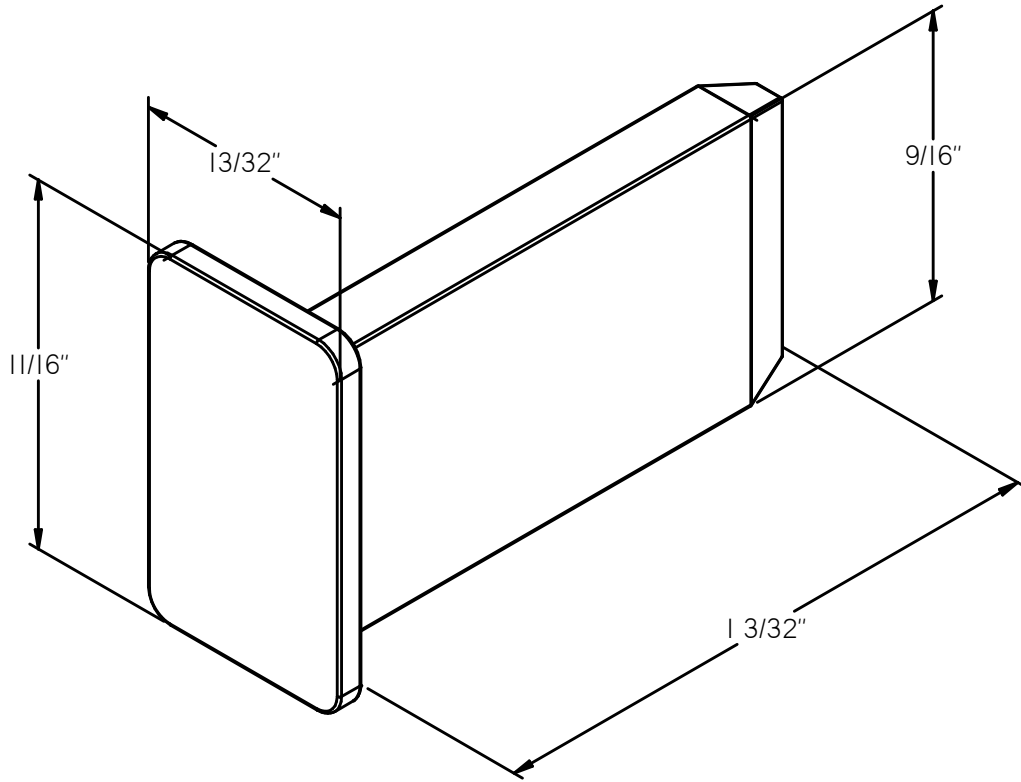
Part Number: MS00JBS

Accessories



Part Number: MSTBPLR

Accessories



Composite Outswing Jamb Kerf Plug