

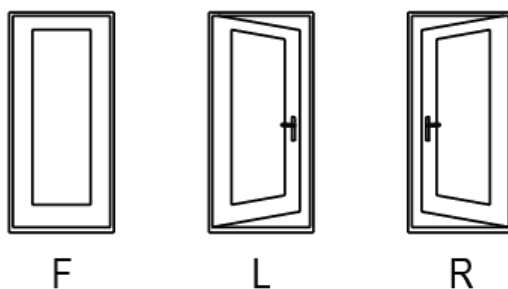
Exploded View and Part Identification .....	2.3
Classic-Craft American Style.....	2.26
Classic-Craft American Style 8/0.....	2.28
Classic-Craft Canvas Style .....	2.30
Classic-Craft Canvas Style 8/0 .....	2.40
Classic-Craft Mahogany.....	2.42
Classic-Craft Mahogany 8/0.....	2.44
Classic-Craft Oak.....	2.46
Classic-Craft Oak 8/0.....	2.48
Classic-Craft Rustic .....	2.50
Classic-Craft Rustic 8/0 .....	2.52
Classic-Craft Rustic Radius Top .....	2.54
Classic-Craft Rustic Arch Top .....	2.56
Classic-Craft Rustic Square Top Impact .....	2.58
Classic-Craft Rustic Impact.....	2.60
Fiber-Classic Mahogany .....	2.62
Fiber-Classic Oak .....	2.64
Fiber-Classic Oak Designline .....	2.70
Fiber-Classic Oak Flush-Glazed Door .....	2.72
Fiber-Classic Oak 8/0 .....	2.74
Smooth-Star .....	2.76
Smooth-Star Raised Panel.....	2.82
Smooth-Star Flush-Glazed Door .....	2.84
Smooth-Star 8/0 .....	2.88
Smooth-Star Flush-Glazed Door 8/0 .....	2.90
Smooth-Star / Fiber-Classic Impact Door .....	2.92
Traditions .....	2.94
Profiles .....	2.96
Rectangular Transom.....	2.98
Elliptical Transom.....	2.99
Half Round Transom .....	2.100
Direct Set Sidelite.....	2.101



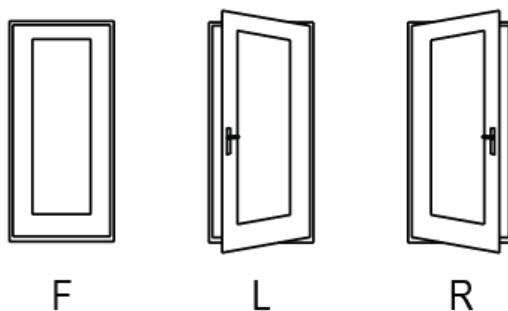
The following pages show exploded views of Therma-Tru door slabs. All Therma-Tru door slabs (except flush-glazed doors with Low-E glass, or bevelline glass) are reversible for handing and swing. Mounting hardware, components, and accessories will hand the door. Make sure to have a clear understanding of handing before proceeding. See the illustrations below for determining the handing of a door.

<b>Hand Designations</b> (Viewed from the exterior)	
F	Fixed Panel
L	Left Hand
R	Right Hand

**Inswing**

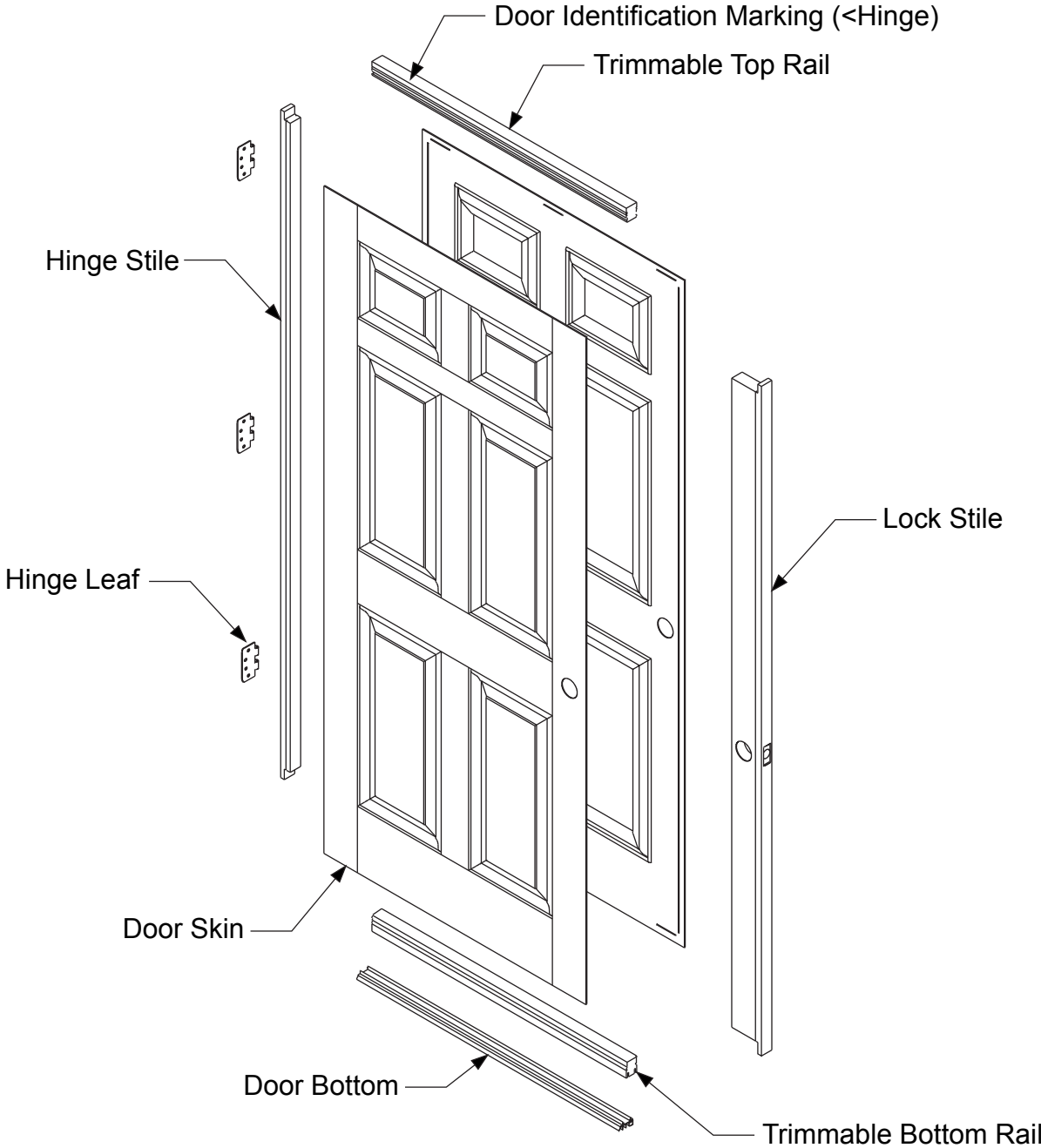


**Outswing**

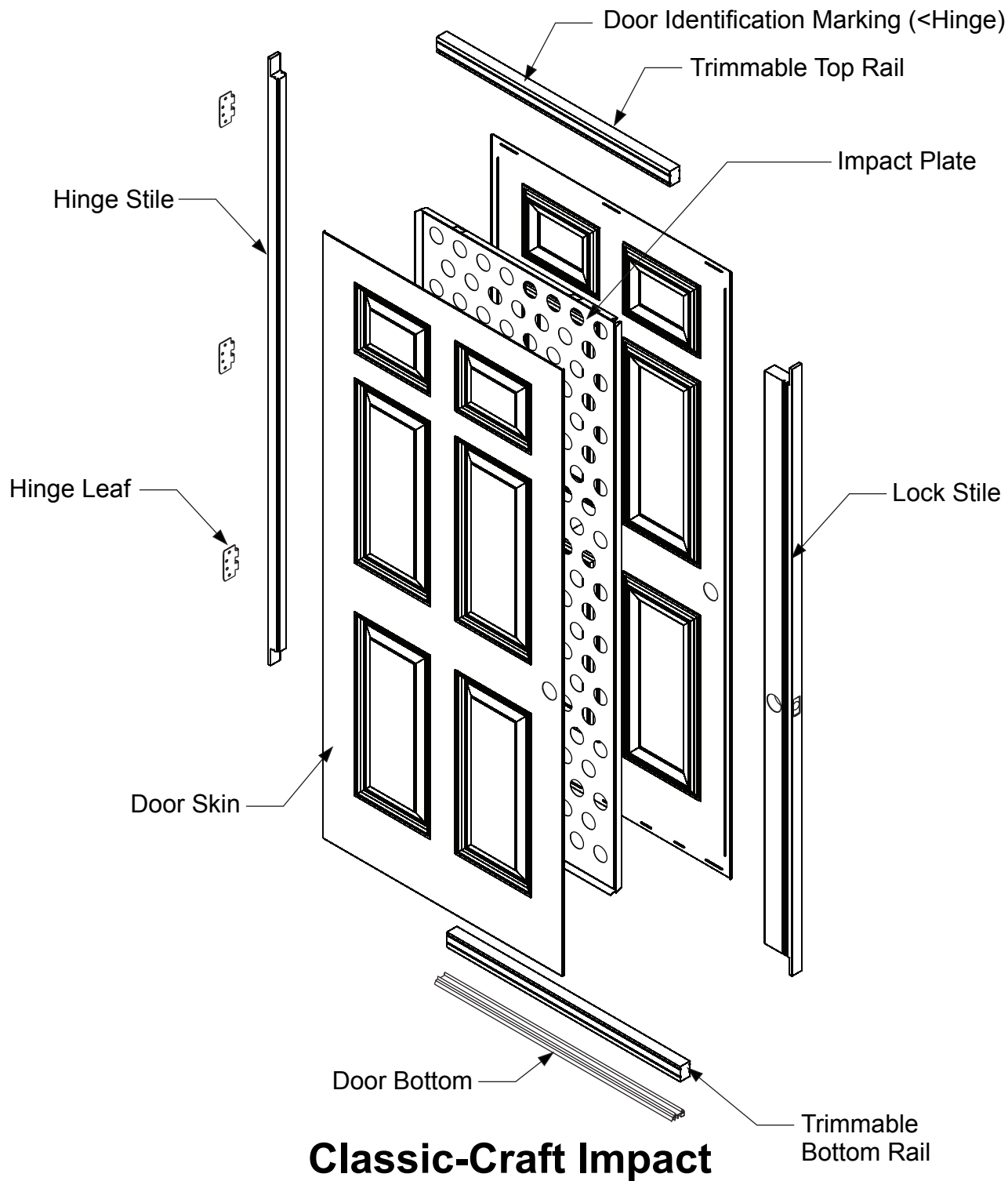


# Exploded View and Part Identification

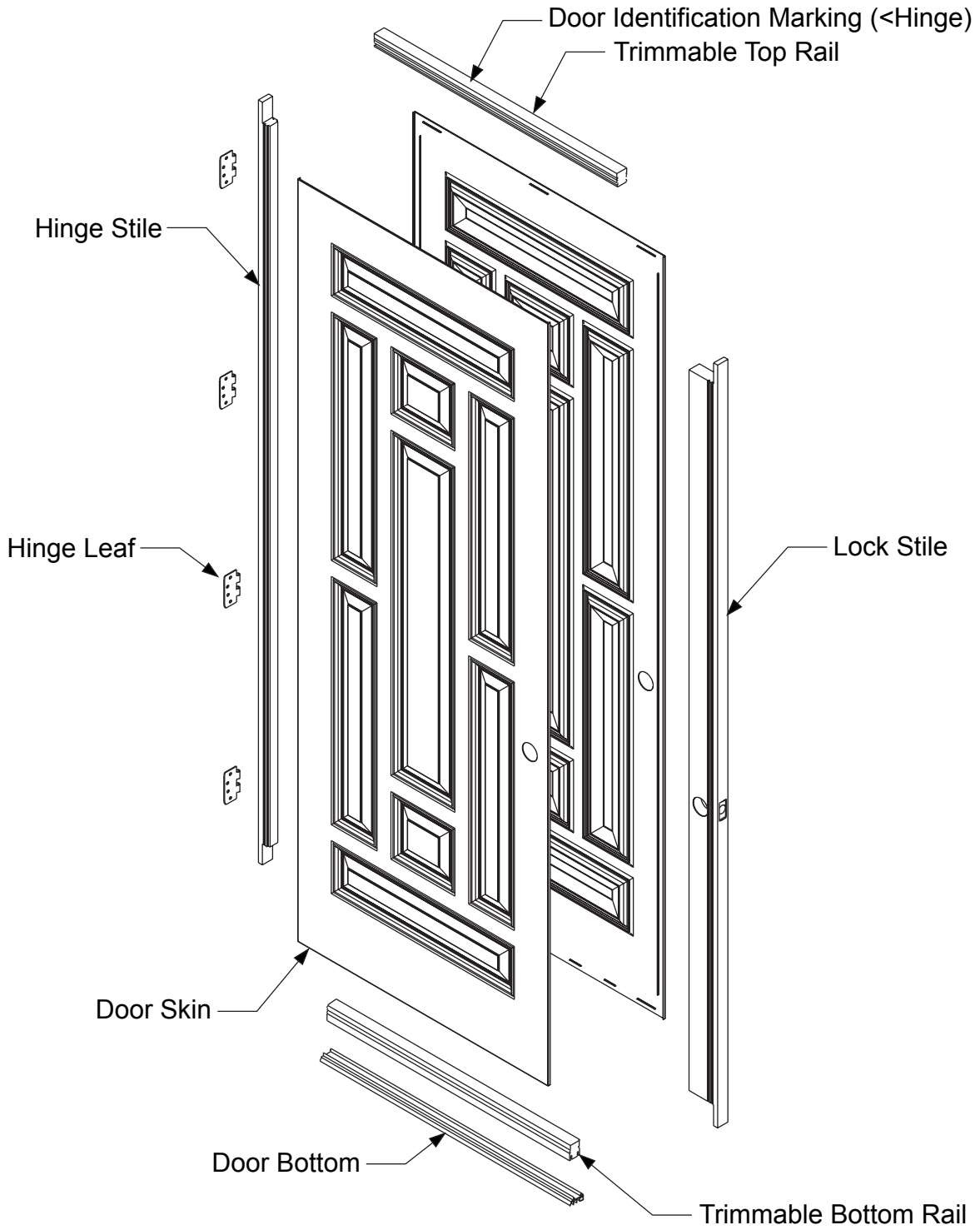
Architectural  
Details



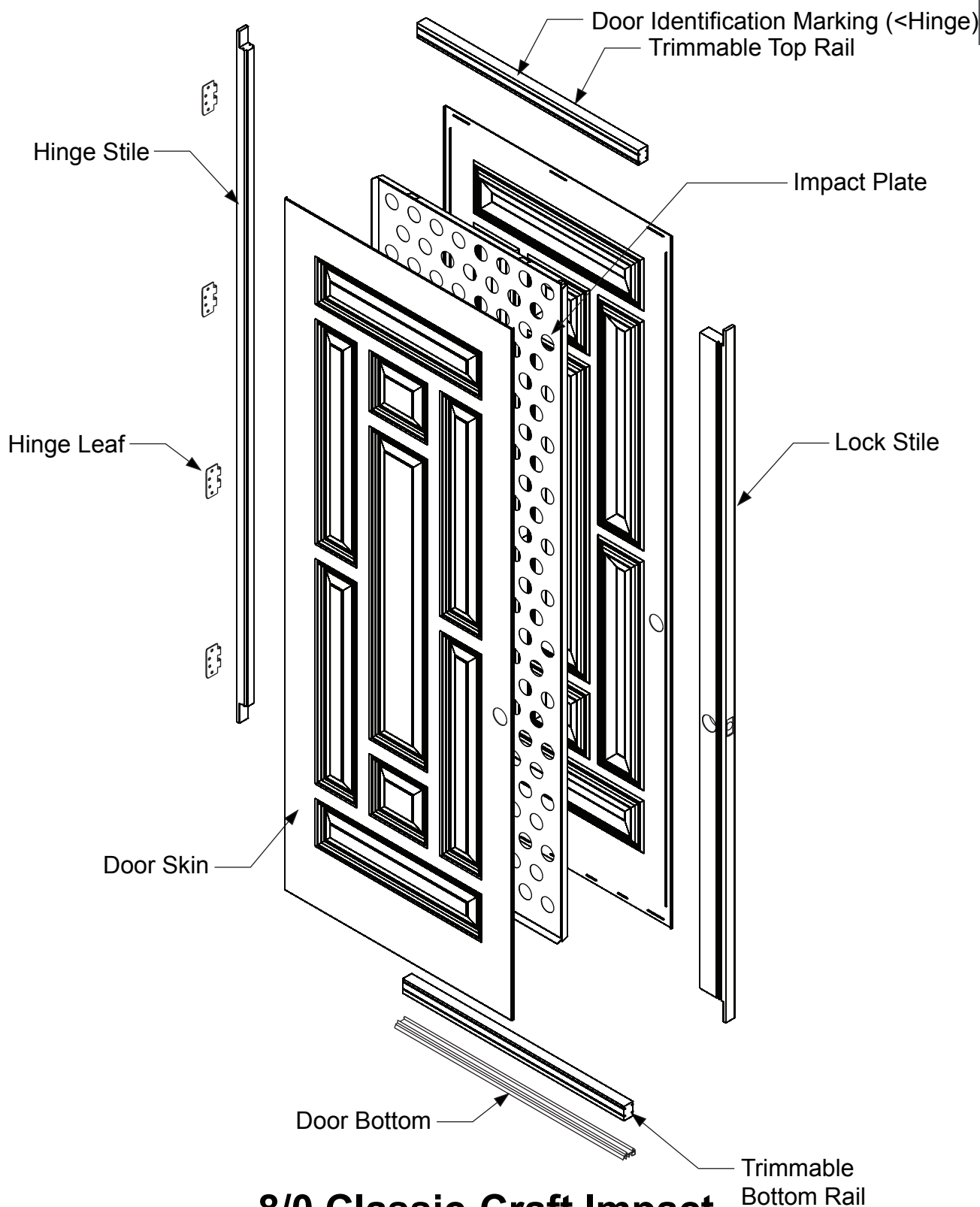
## Classic-Craft



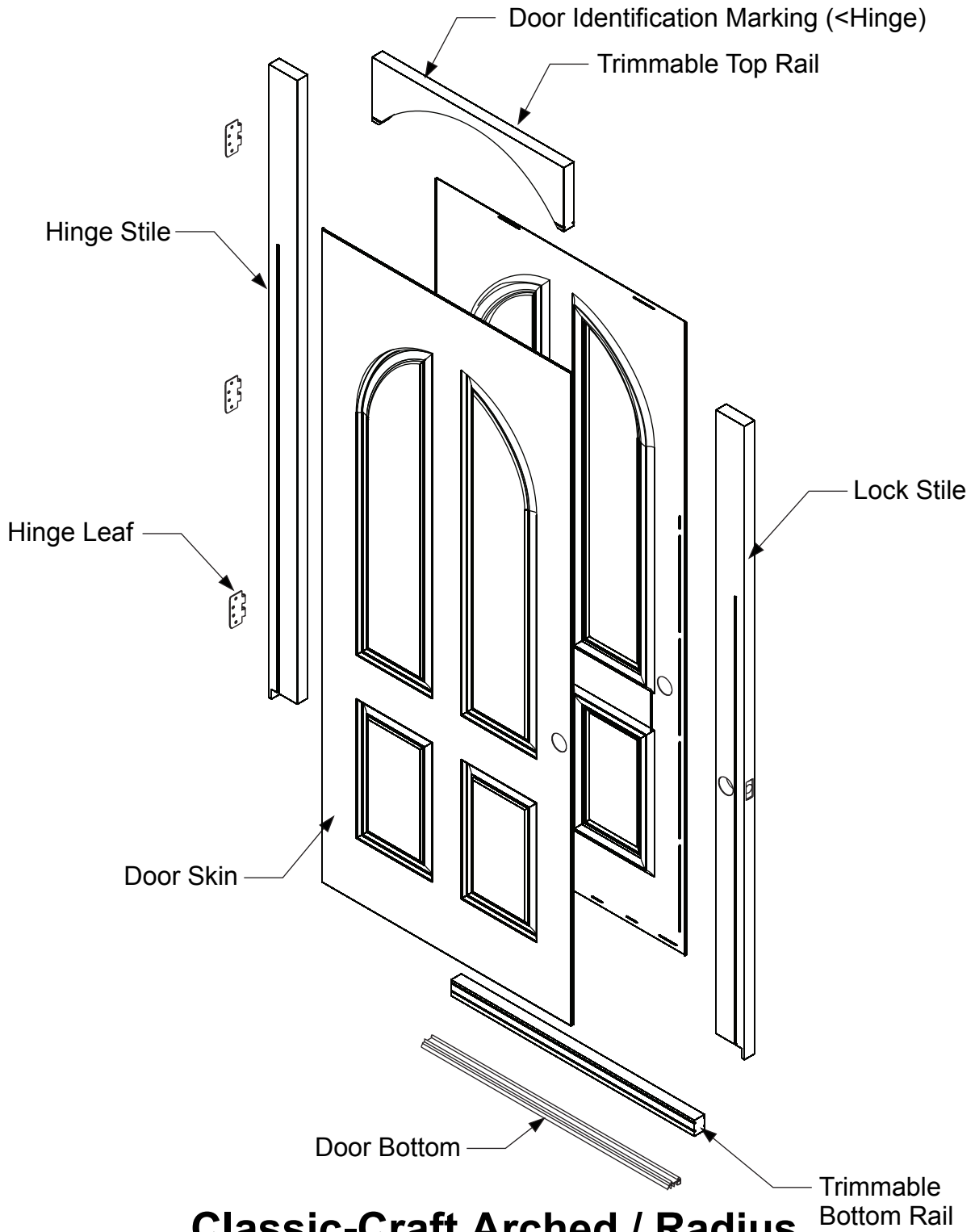
Architectural  
Details



## 8/0 Classic-Craft

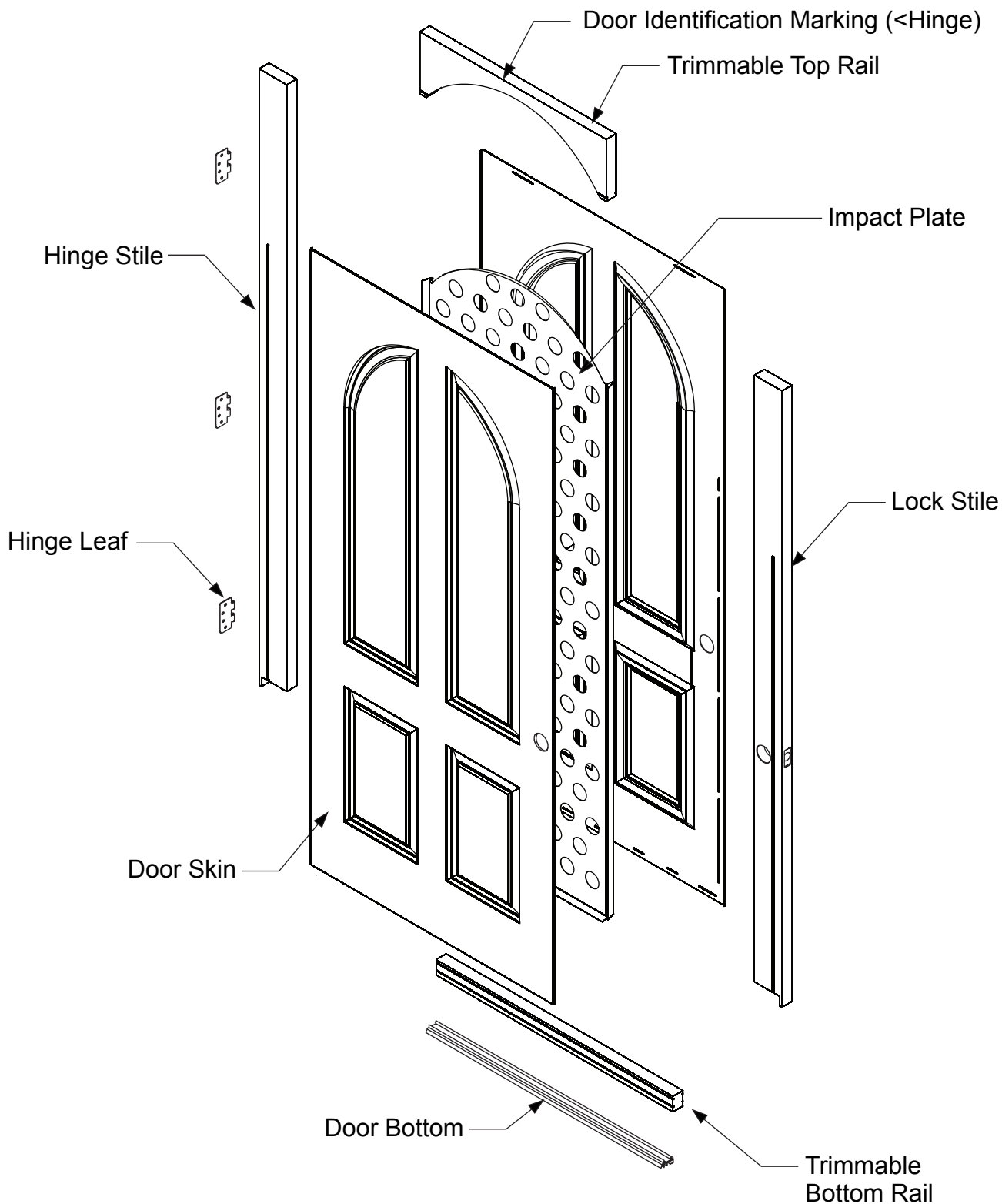


**8/0 Classic-Craft Impact**



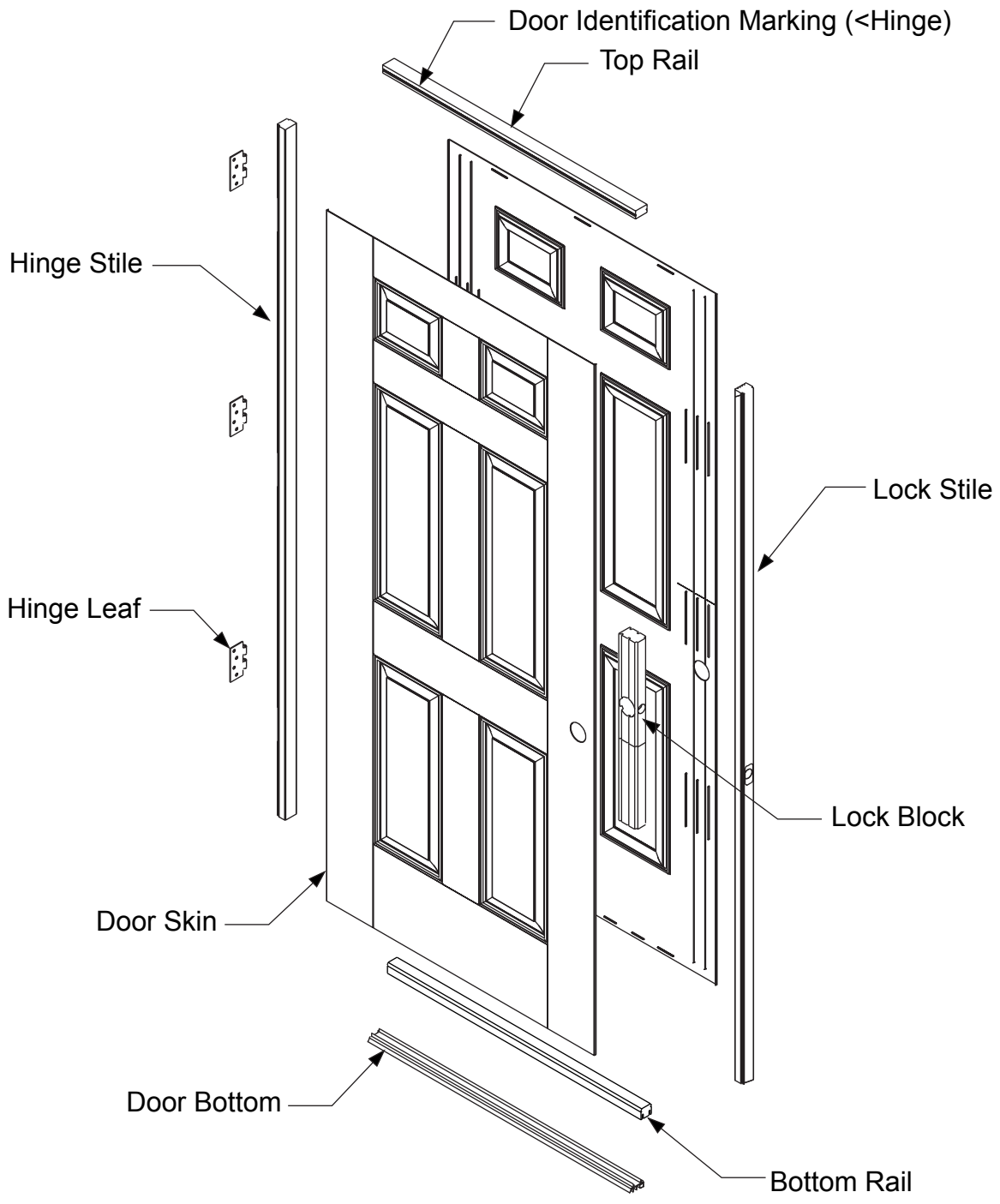
**Classic-Craft Arched / Radius**  
(Radius Top Shown)



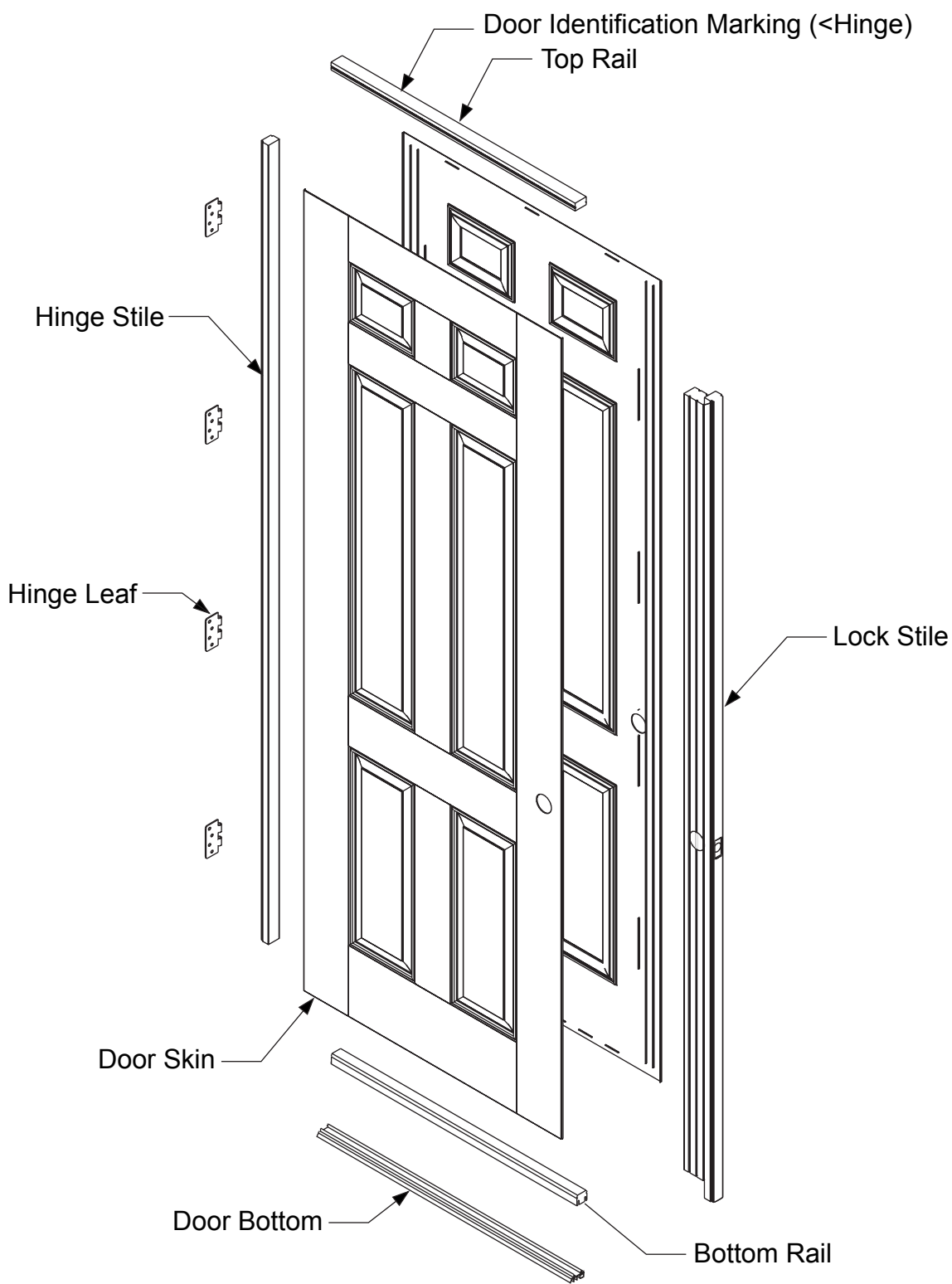


## Classic-Craft Arched / Radius Impact

Architectural  
Details



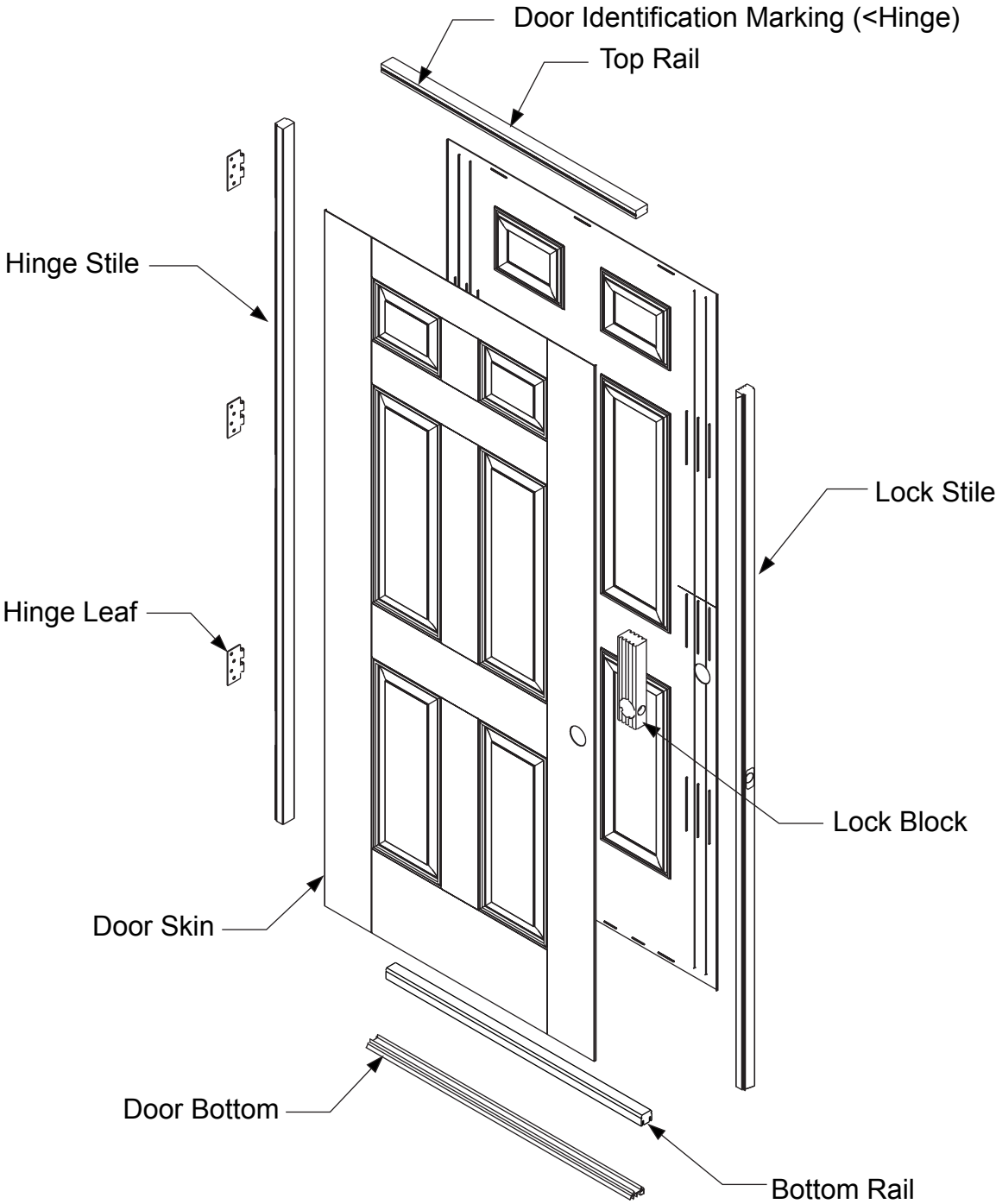
## Fiber-Classic



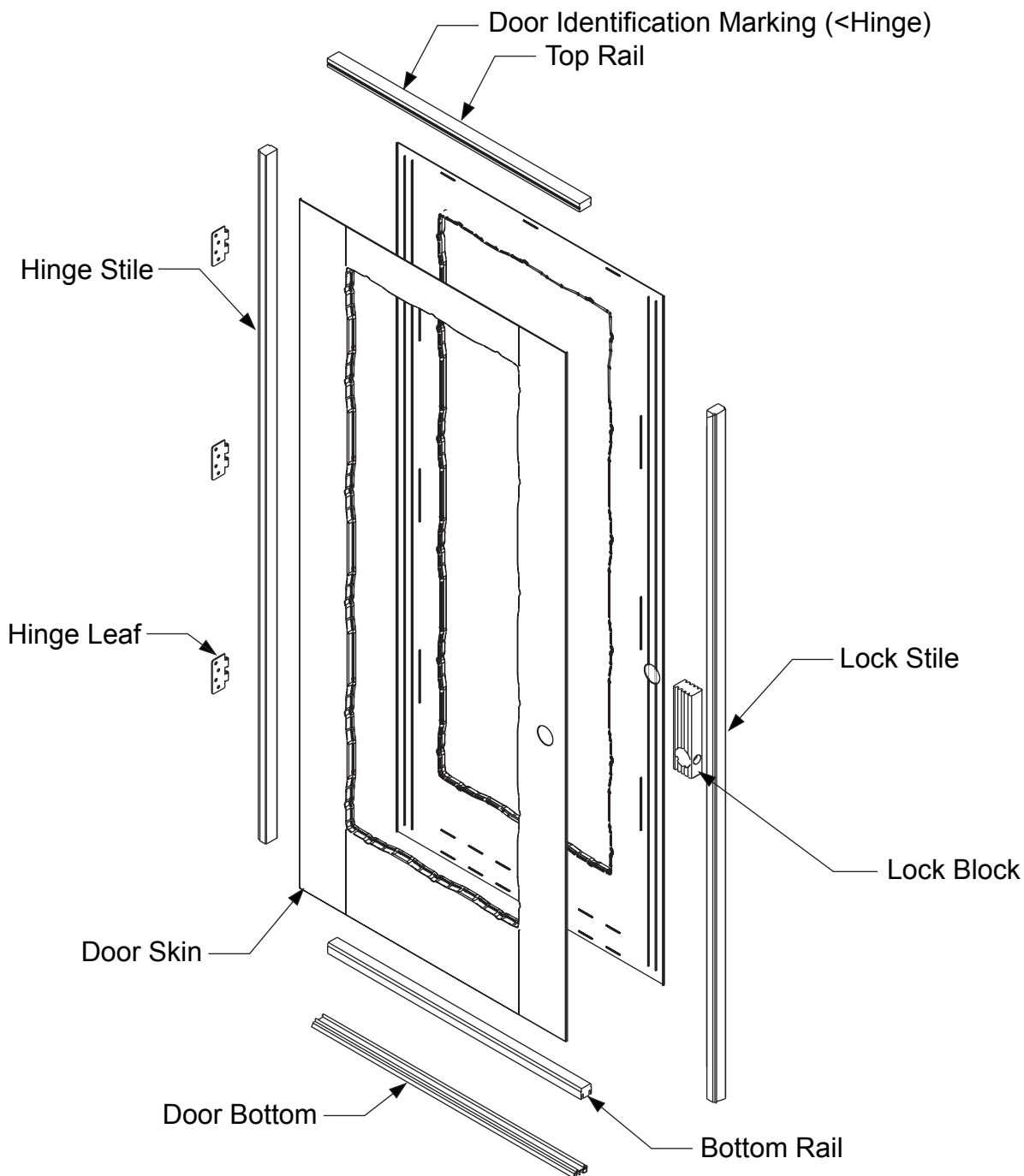
## 8/0 Fiber-Classic

# Exploded View and Part Identification

Architectural  
Details



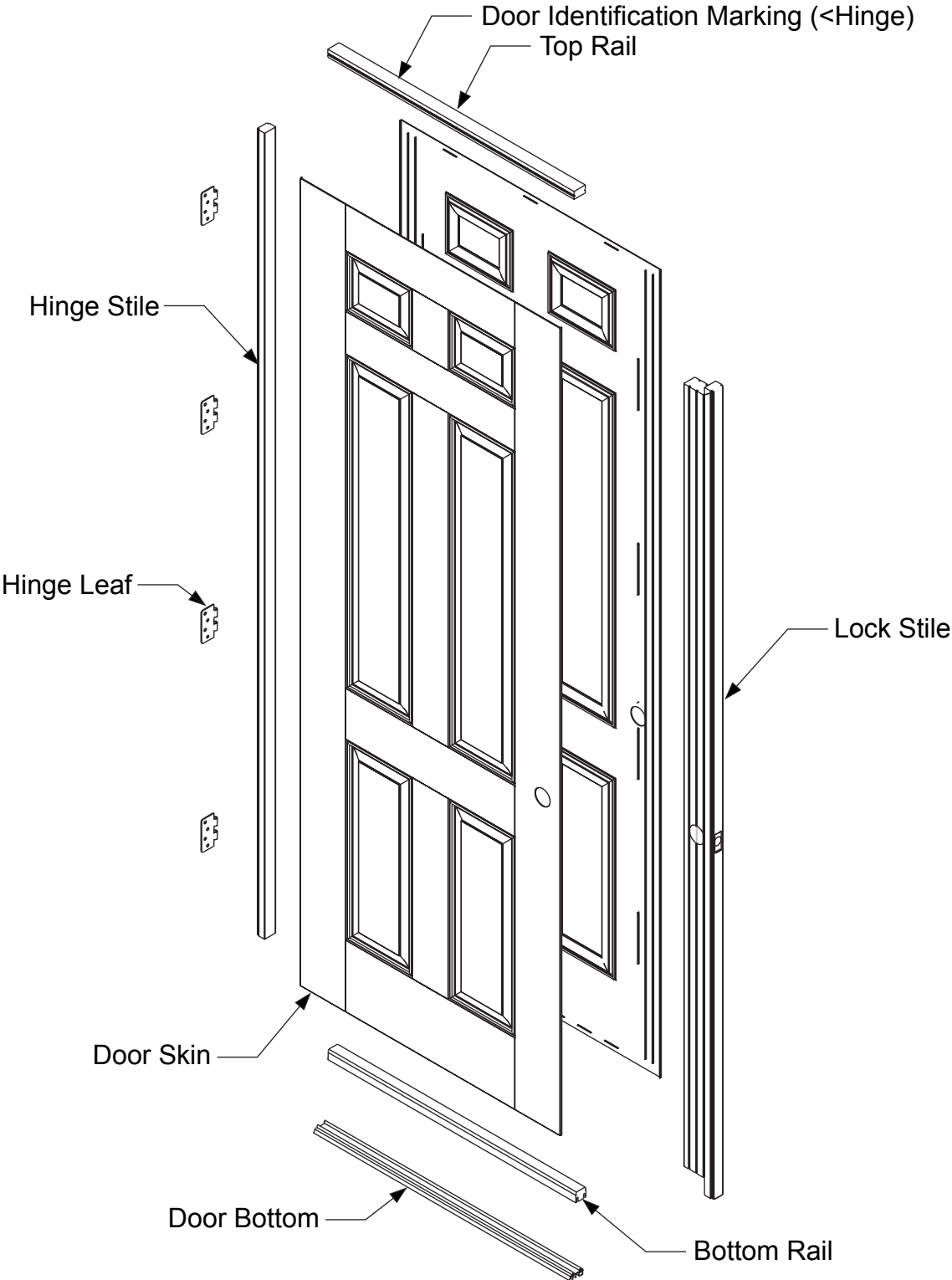
## Smooth-Star



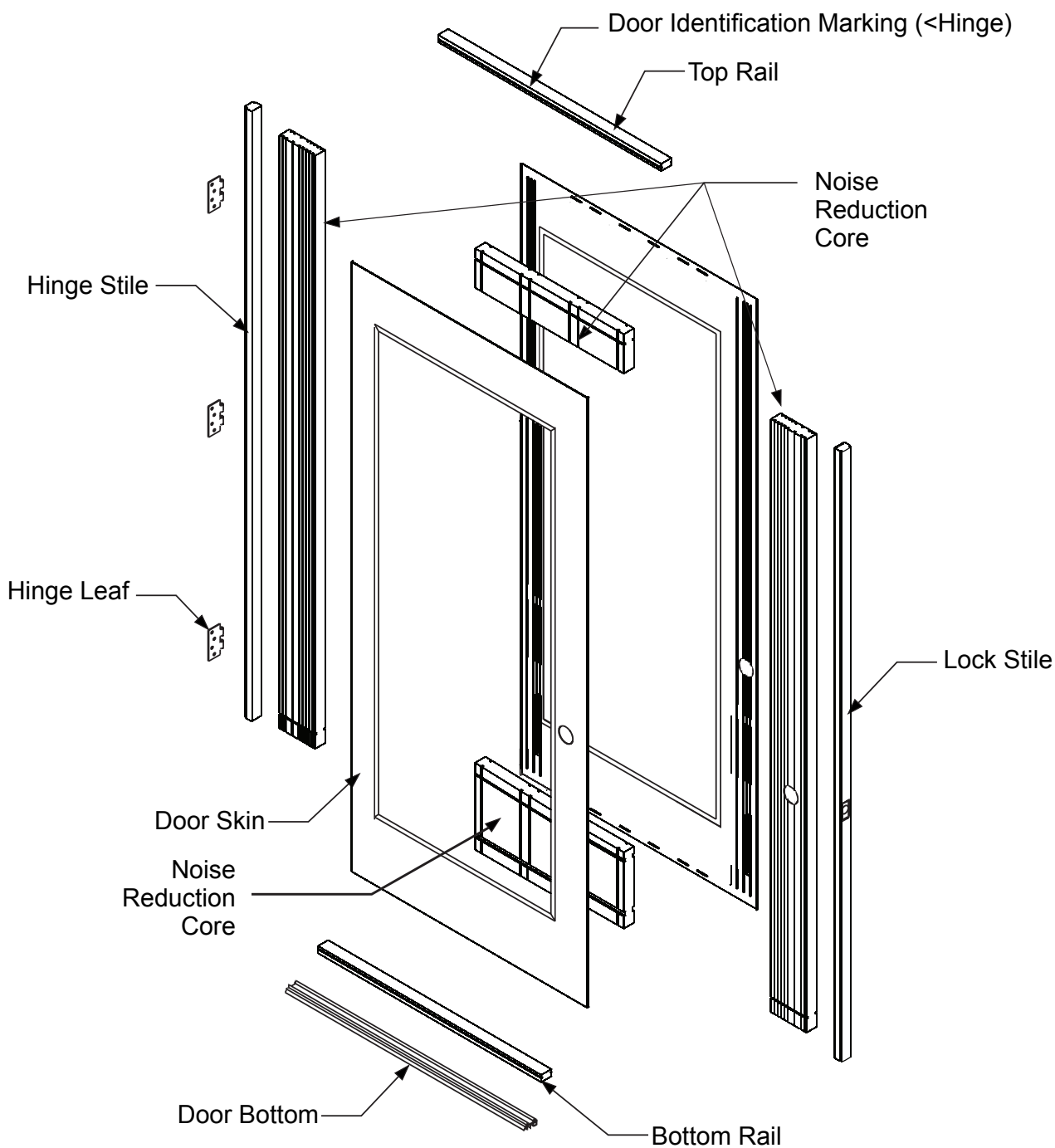
## **Smooth-Star** (Molded Open - Ready to Receive Doorlite)

# Exploded View and Part Identification

Architectural  
Details

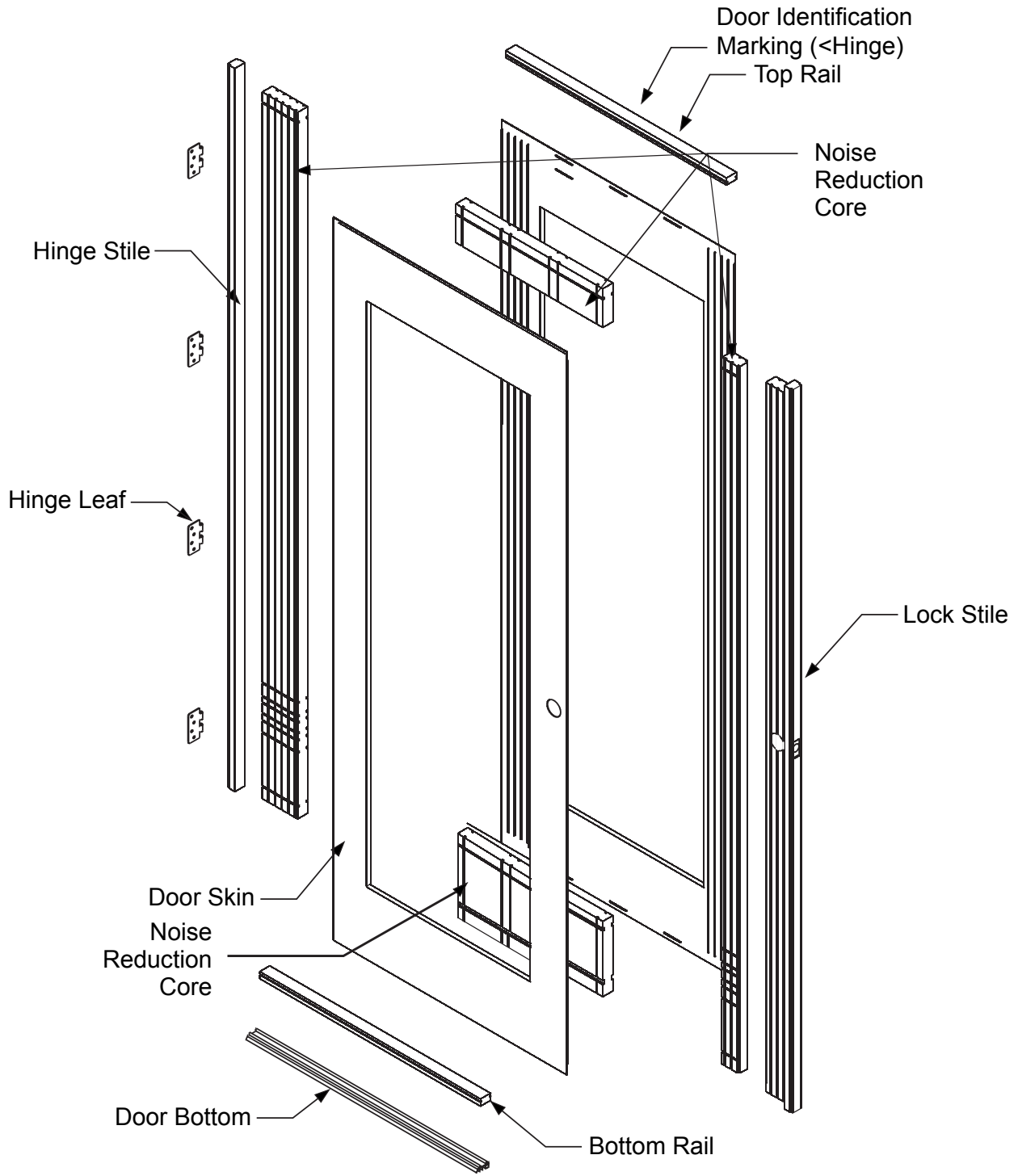


## 8/0 Smooth-Star



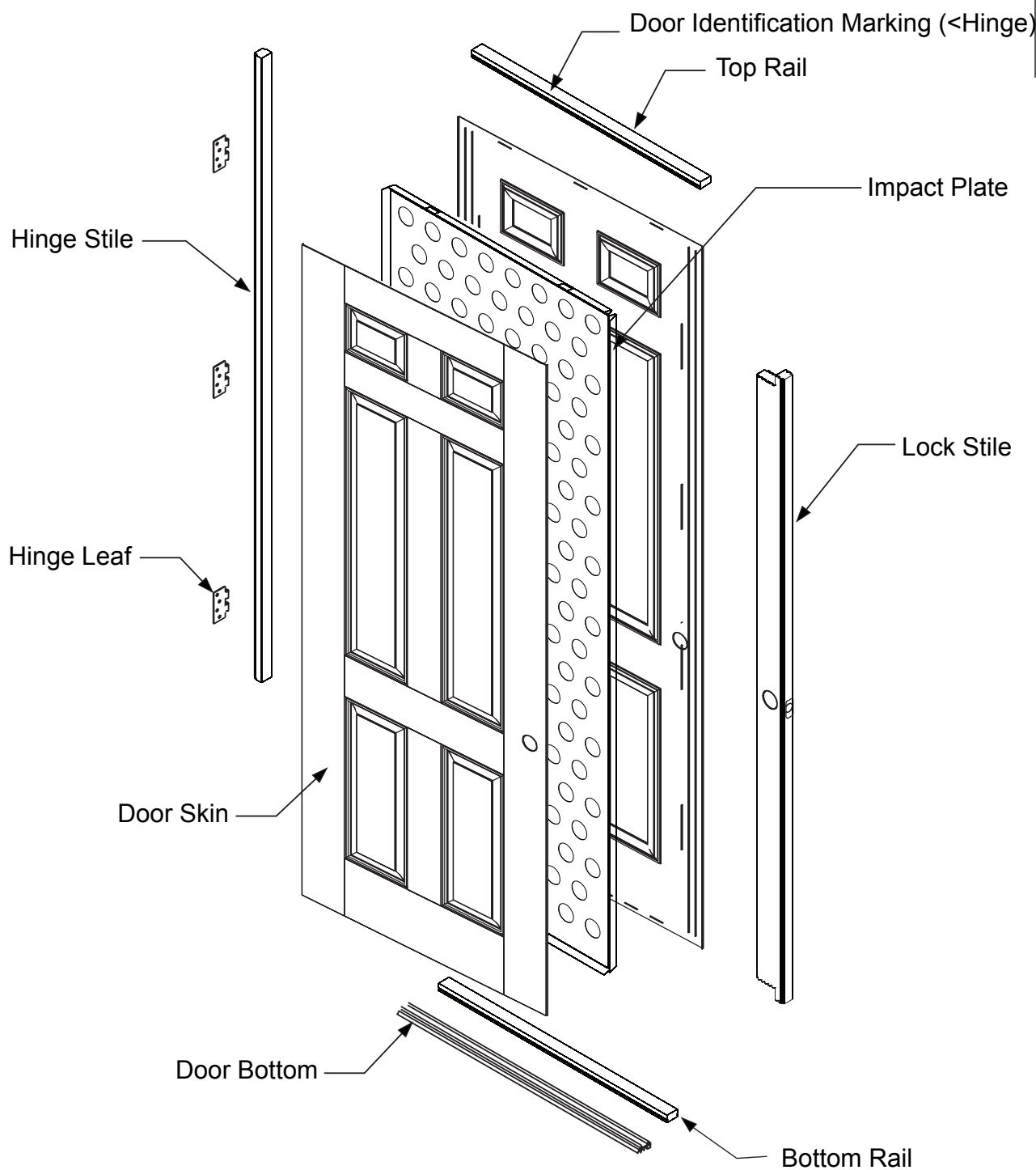
**Smooth-Star Noise Reduction**  
(Factory Cutout Only)

Architectural  
Details



## 8/0 Smooth-Star Noise Reduction (Factory Cutout Only)

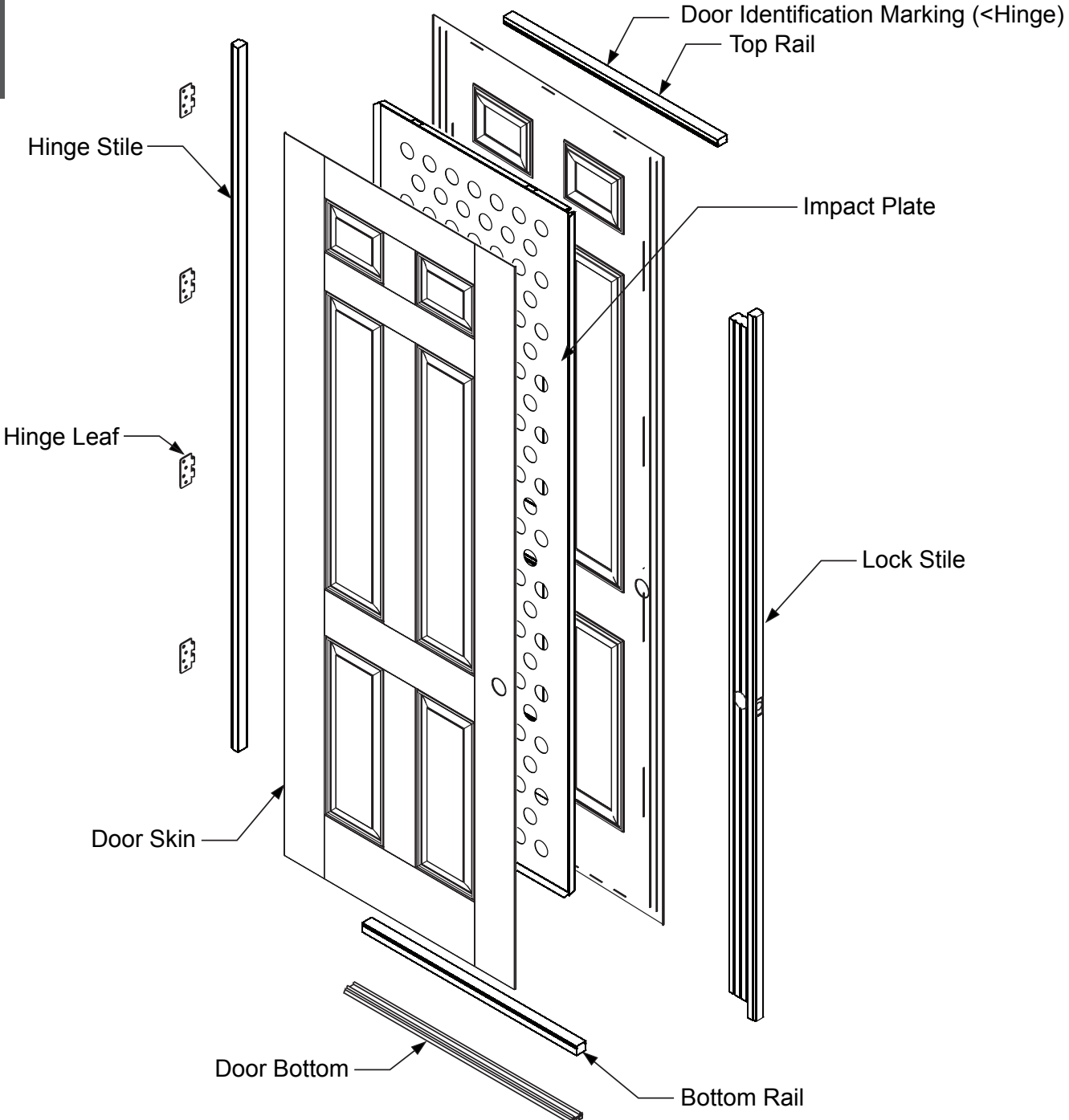




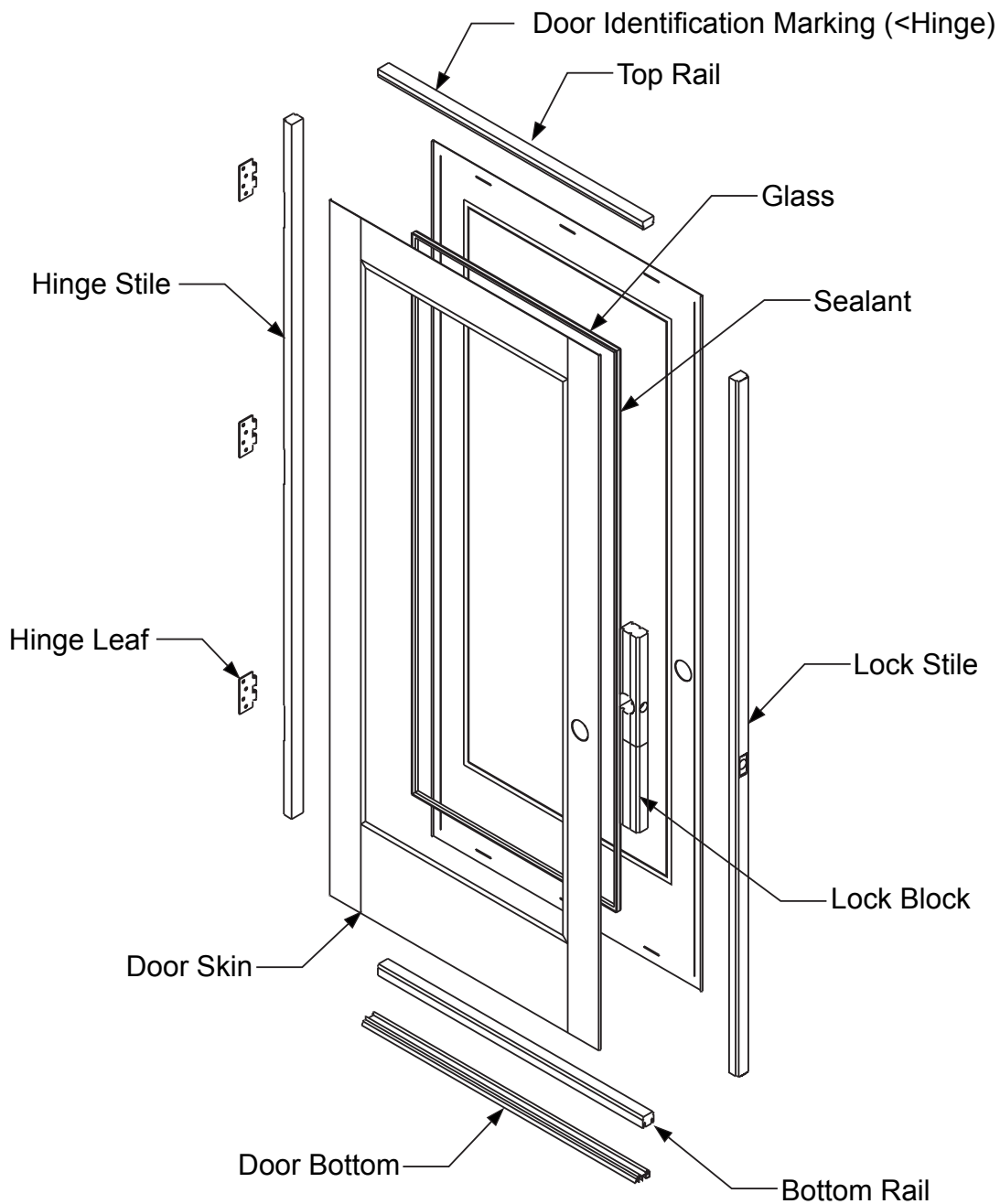
## Fiber-Classic/Smooth-Star Impact

# Exploded View and Part Identification

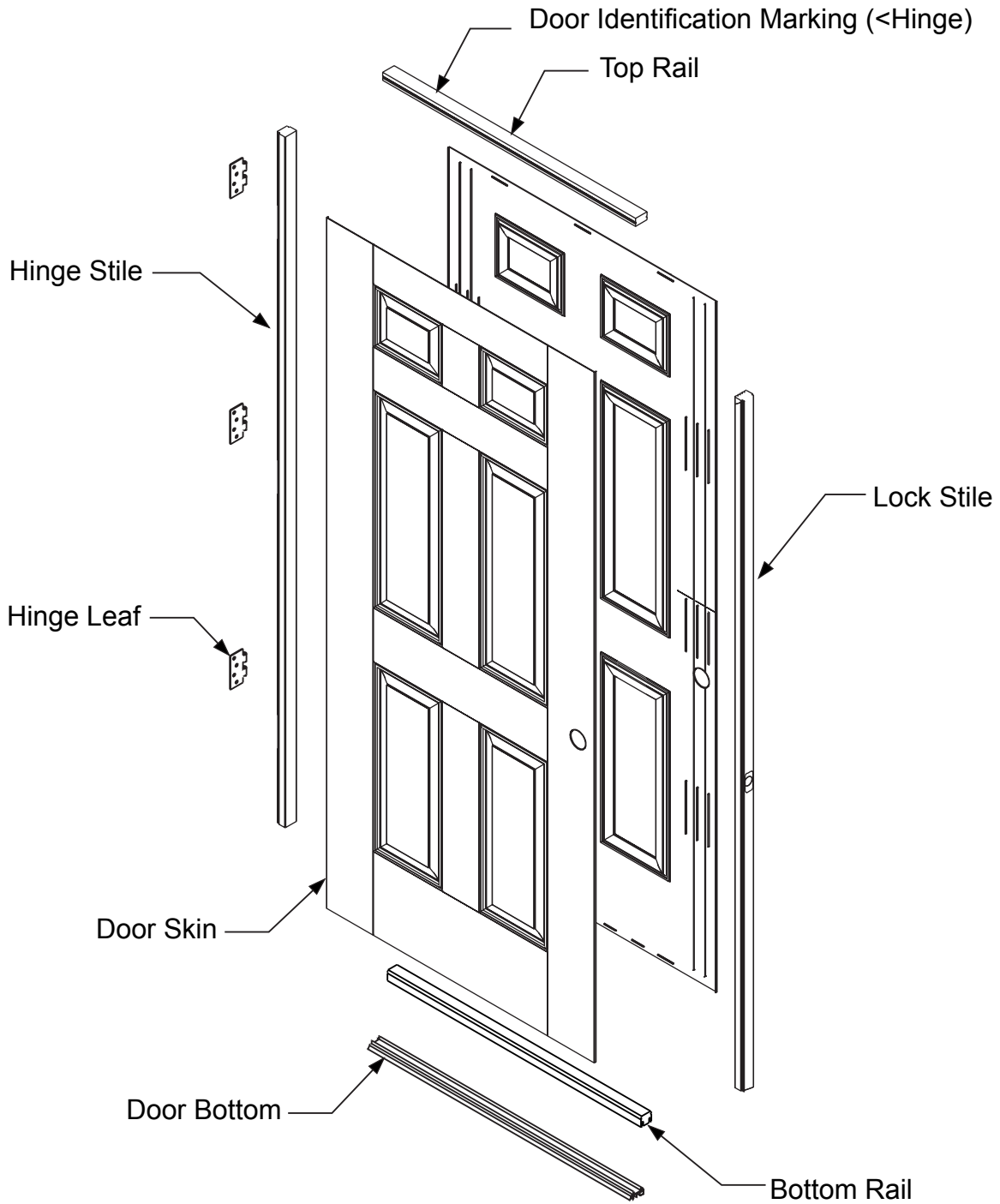
Architectural  
Details



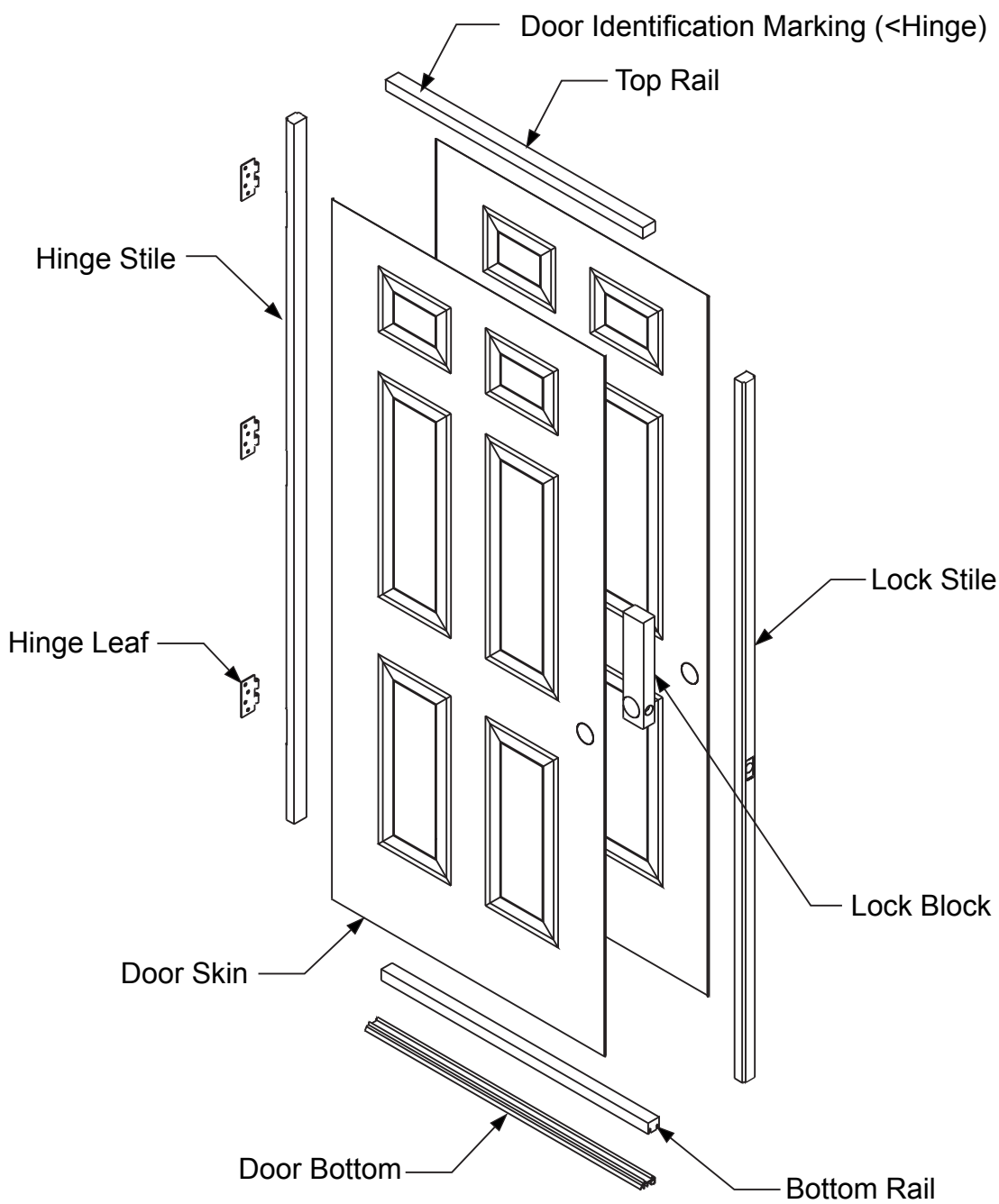
## 8/0 Fiber-Classic/Smooth-Star Impact



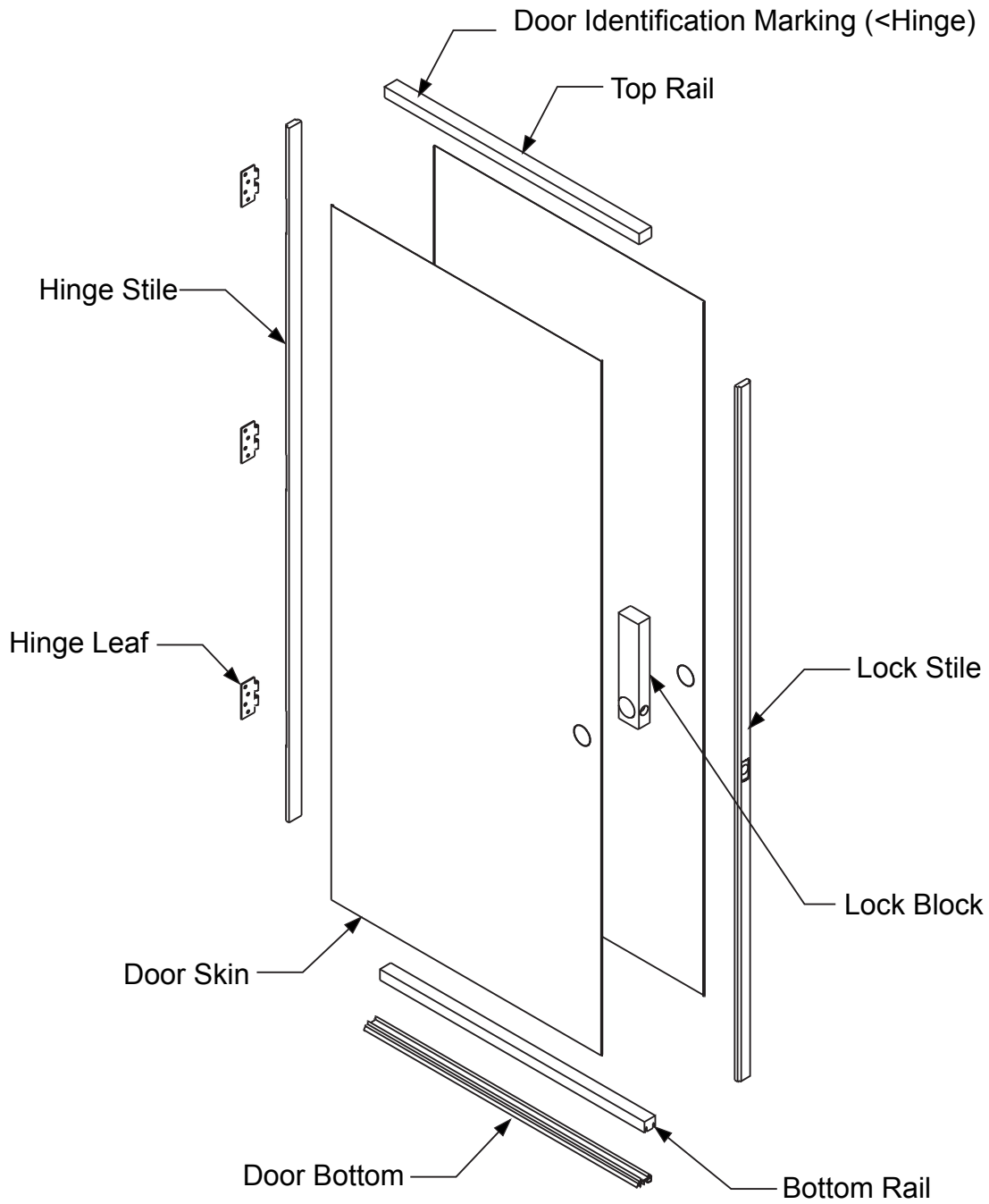
## Flush-Glazed Fiber-Classic/Smooth-Star



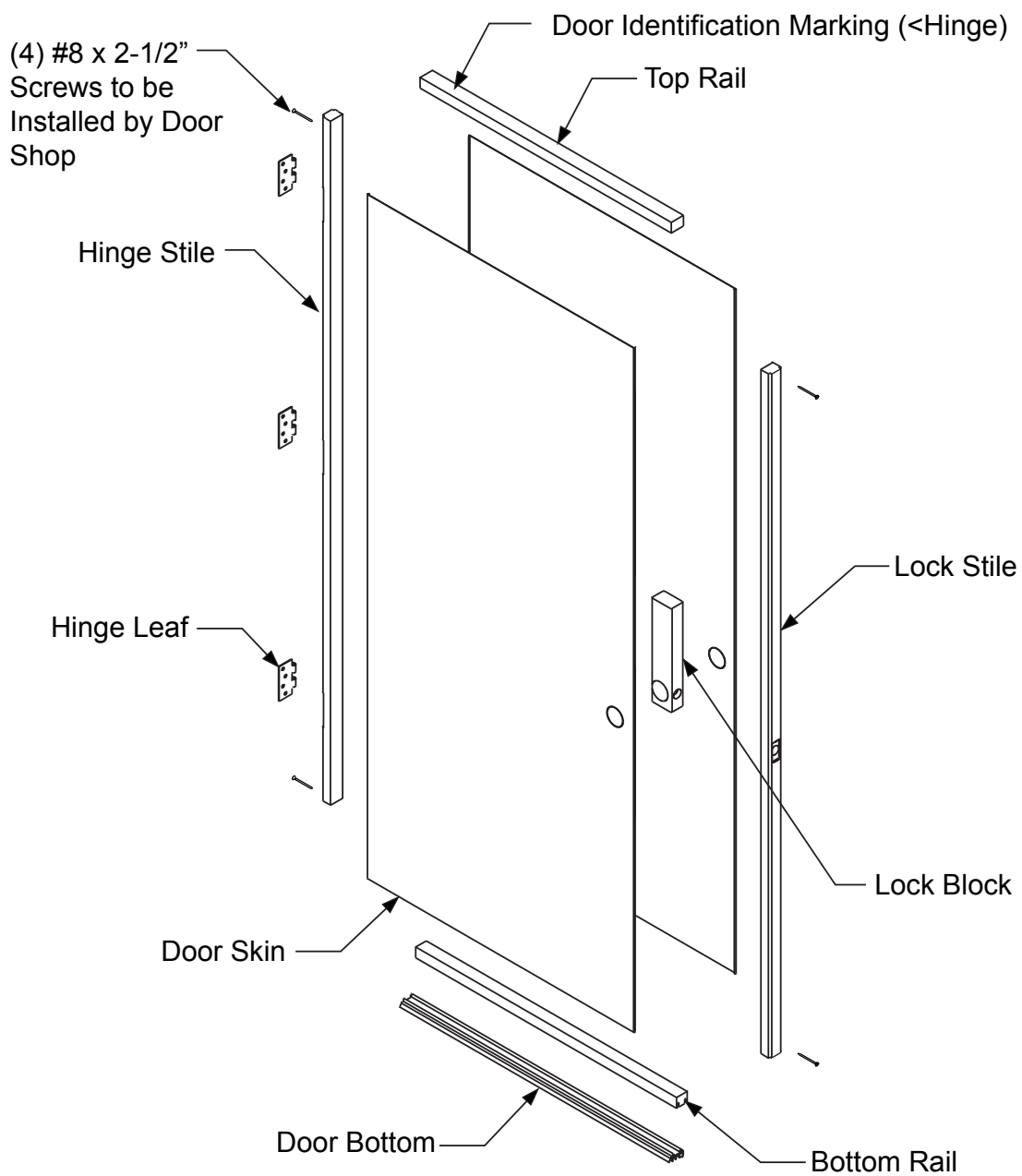
## 20-Minute Positive Pressure Fiber-Classic & Smooth-Star Fire Door



## Profiles Steel

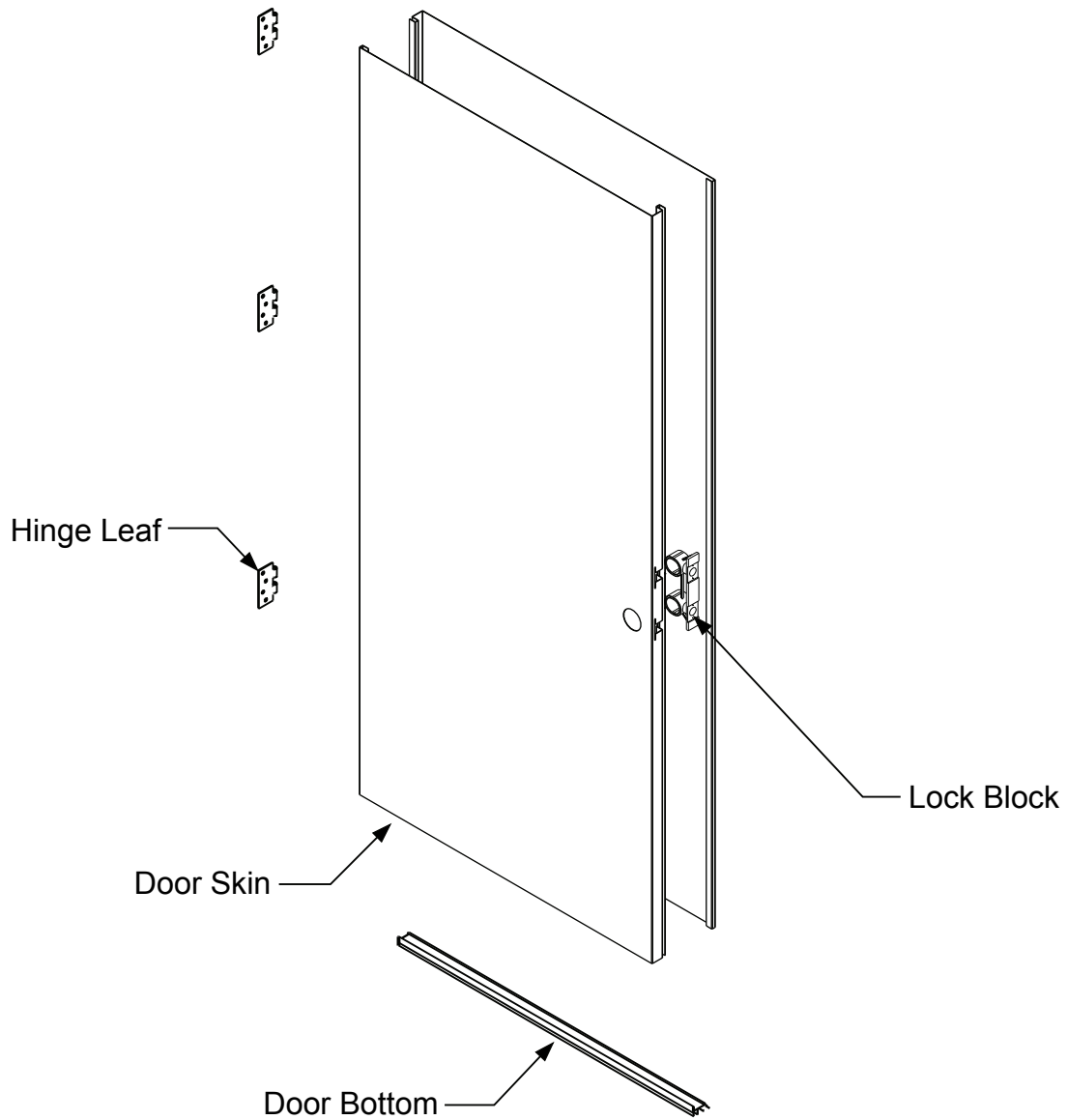


## Traditions Steel



## Coastal Steel

Architectural  
Details

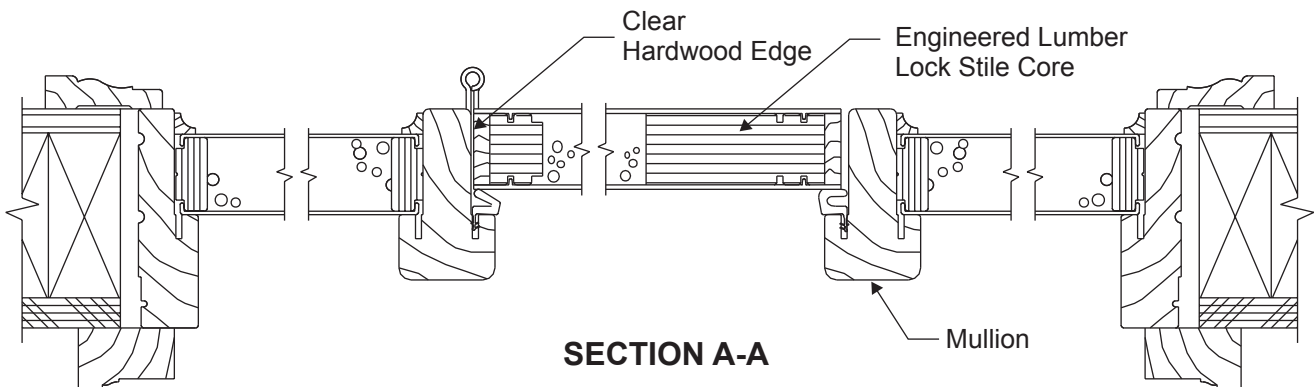
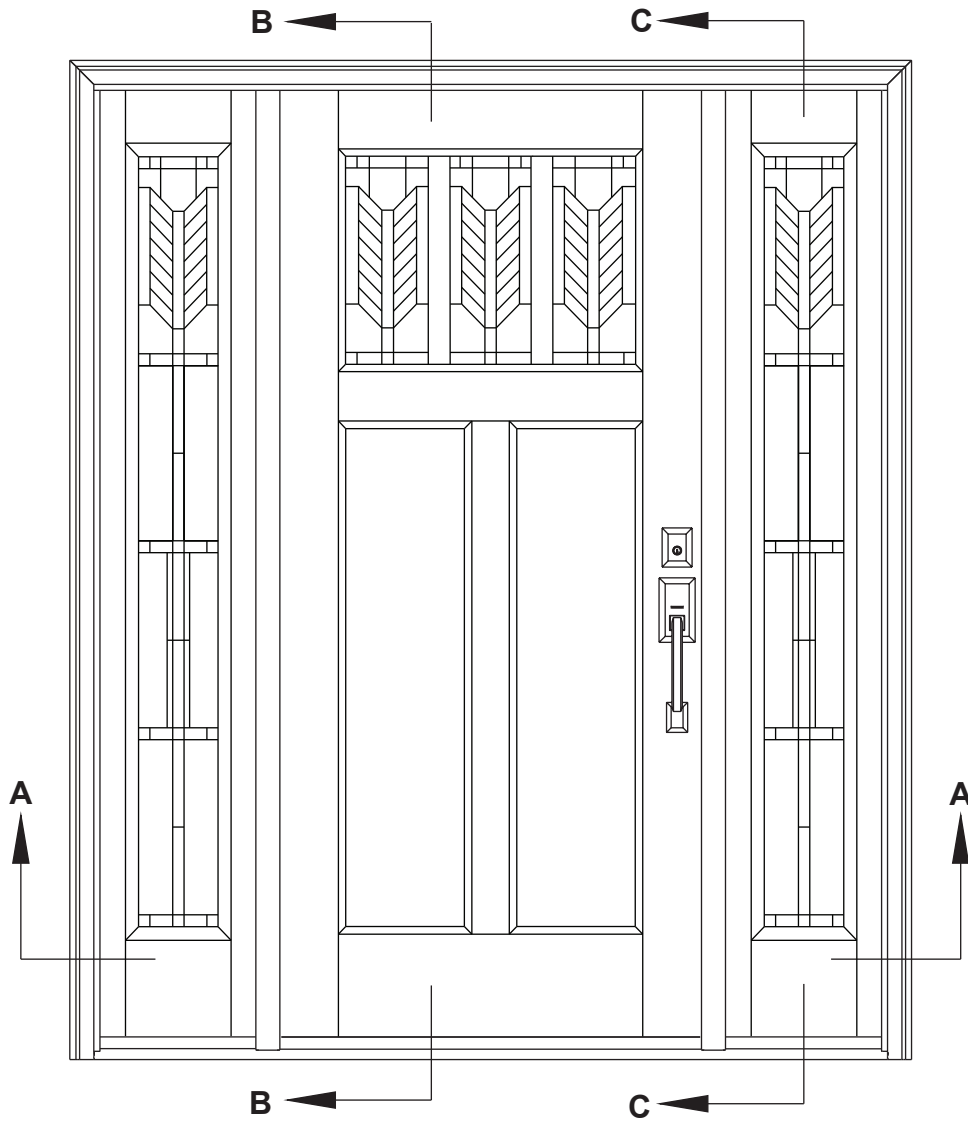


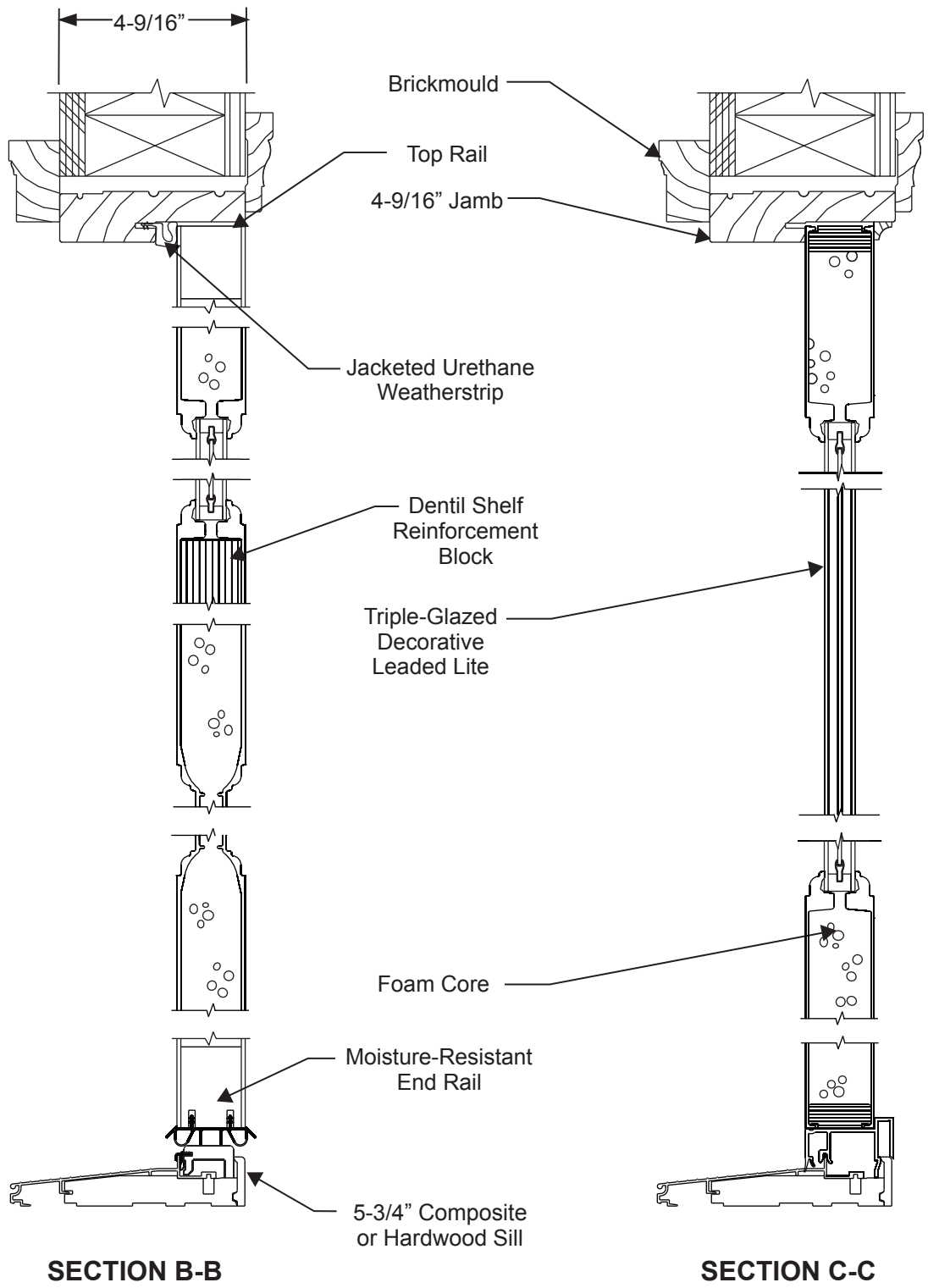
## 90-Minute Positive Pressure Steel Edge Fire Door



**This page intentionally left blank.**

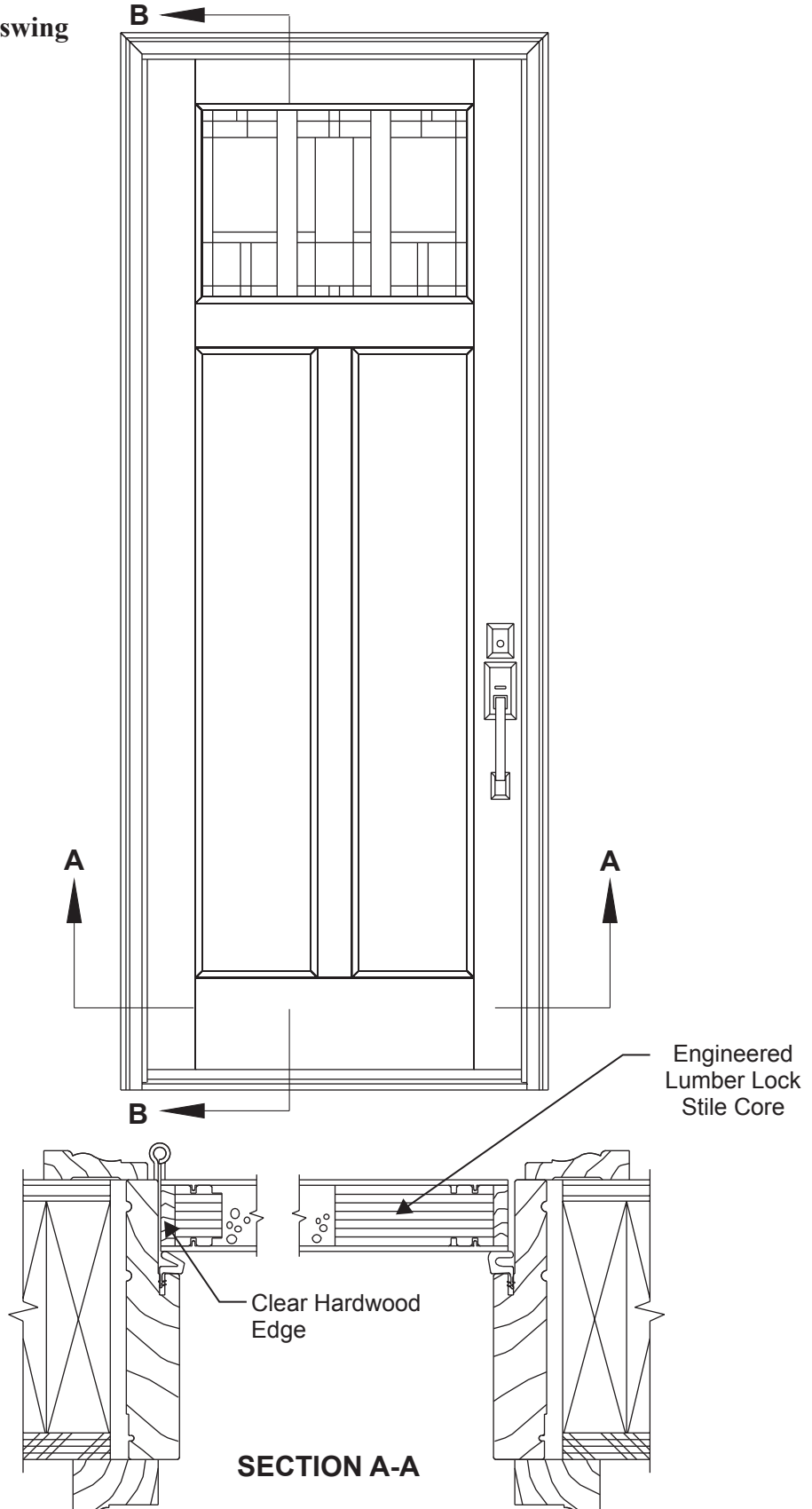
Door/Sidelites with Continuous Head/Sill Frame

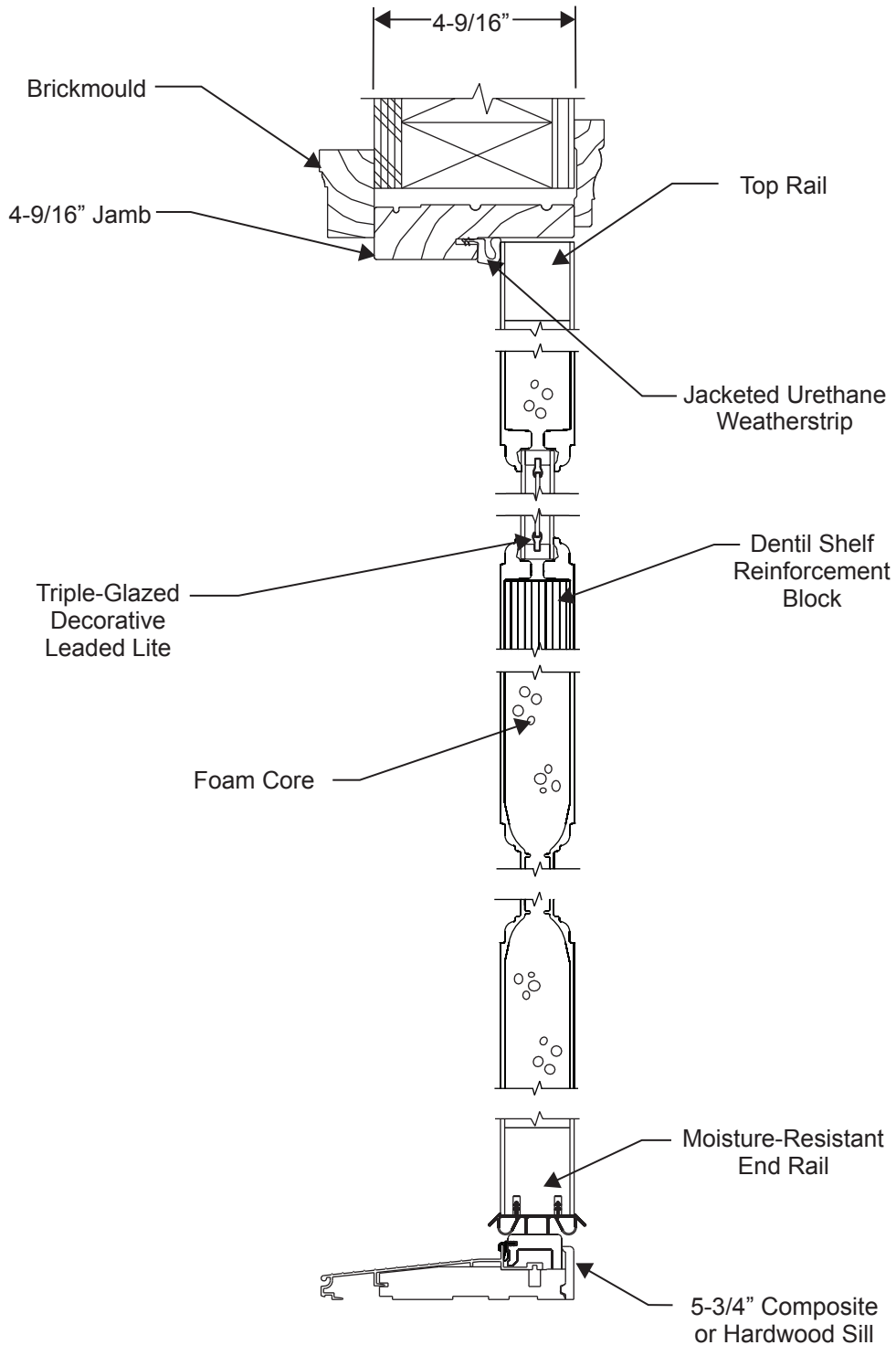




Architectural  
Details

### Single Door, Inswing



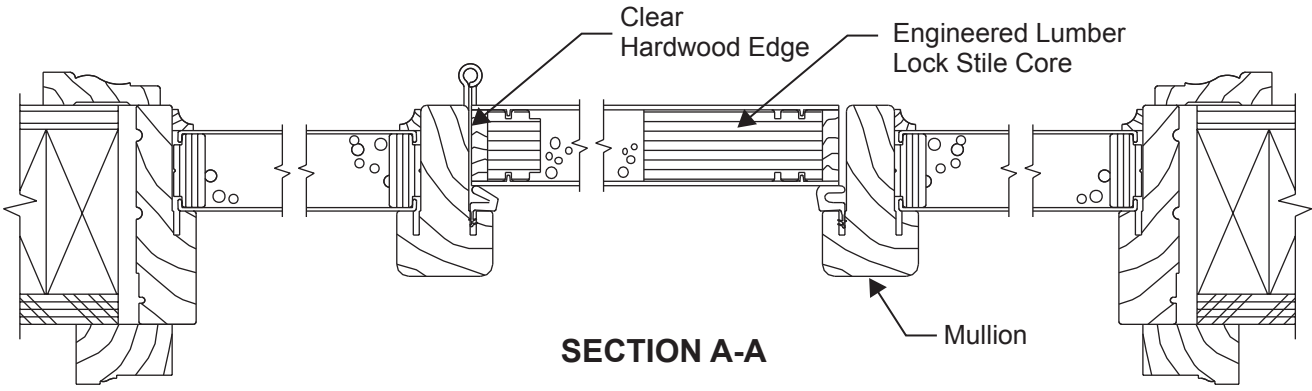
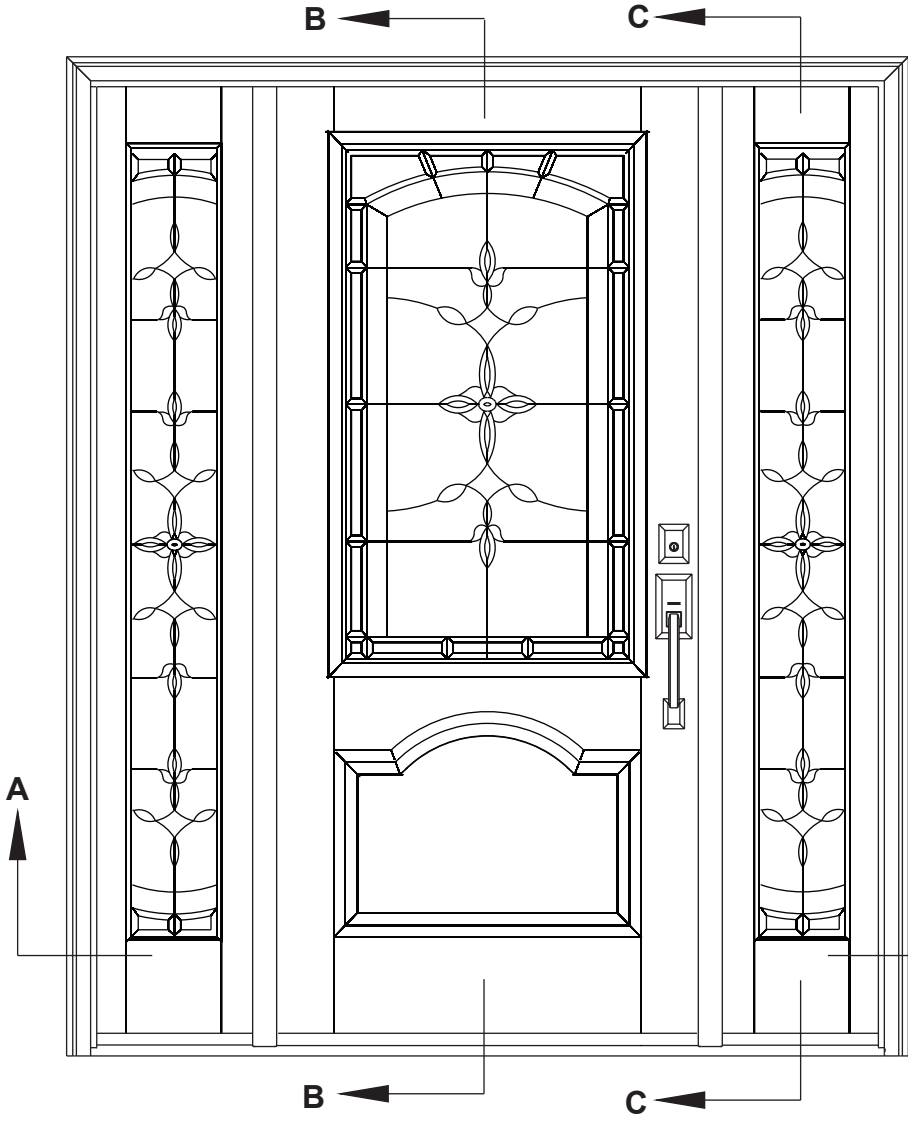


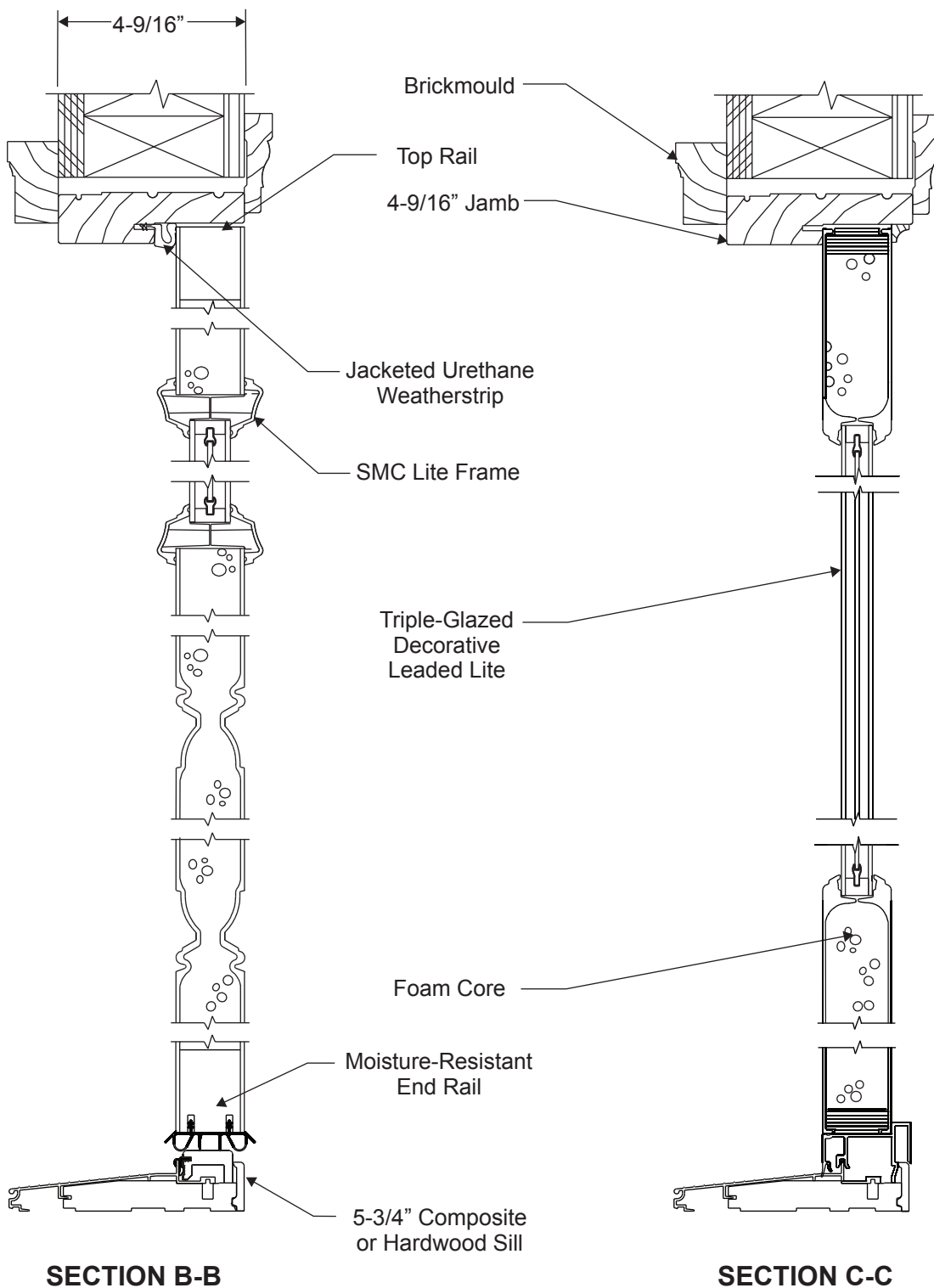
**SECTION B-B**

# Classic-Craft Canvas Style

## Door/Sidelites with Continuous Head/Sill Frame

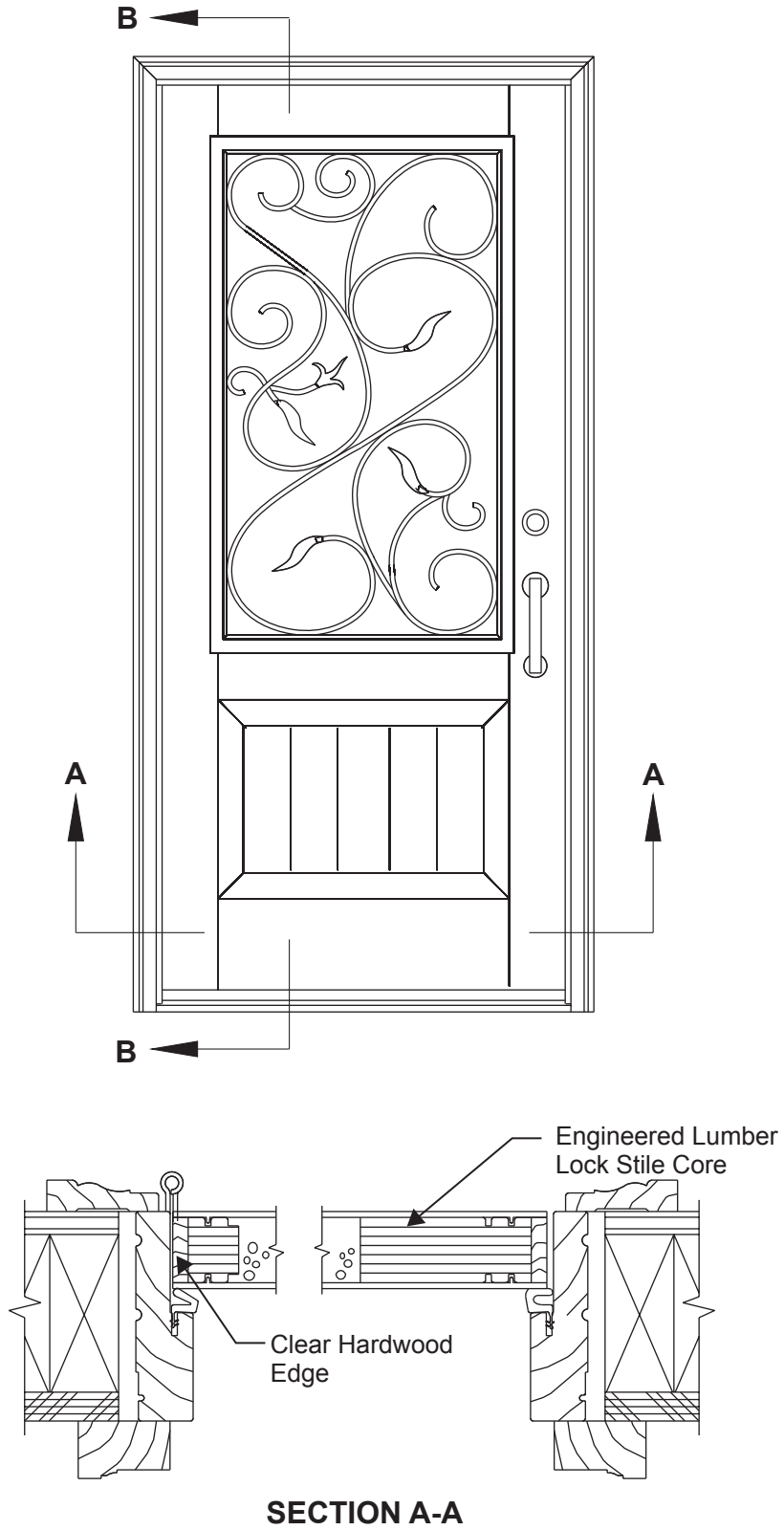
Architectural  
Details



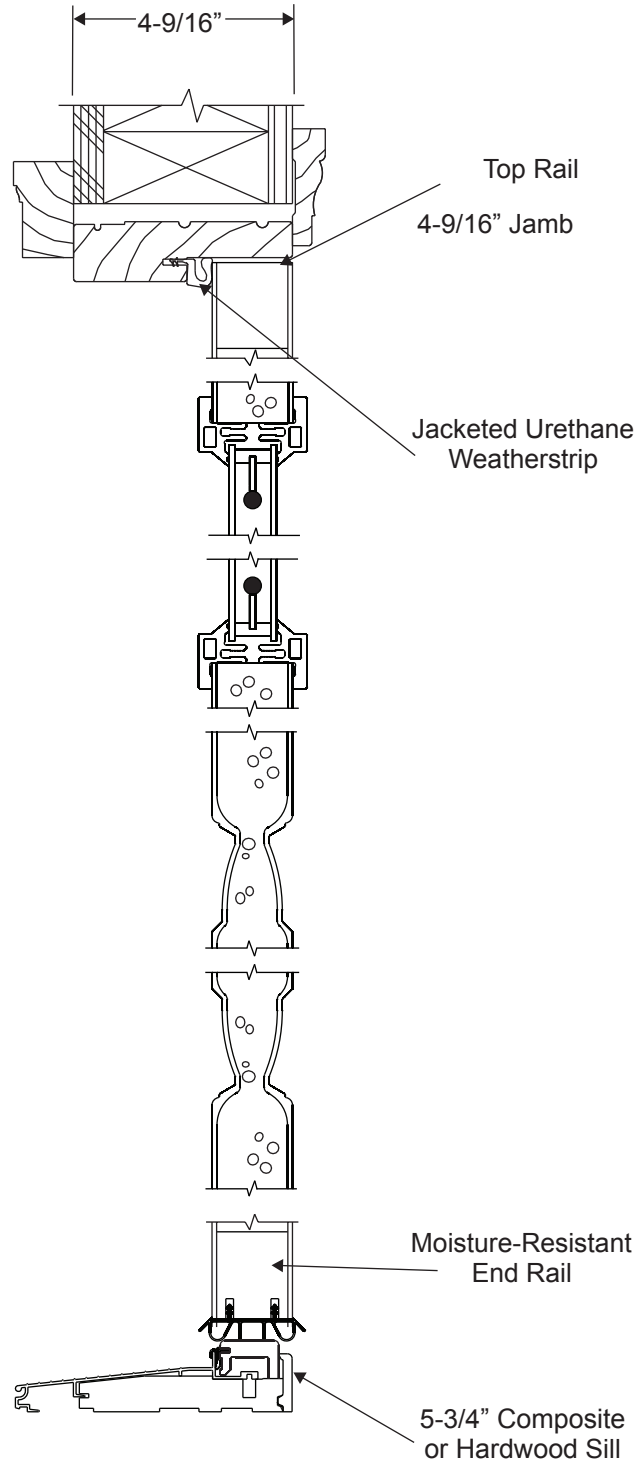


Architectural  
Details

## Single Door Inswing

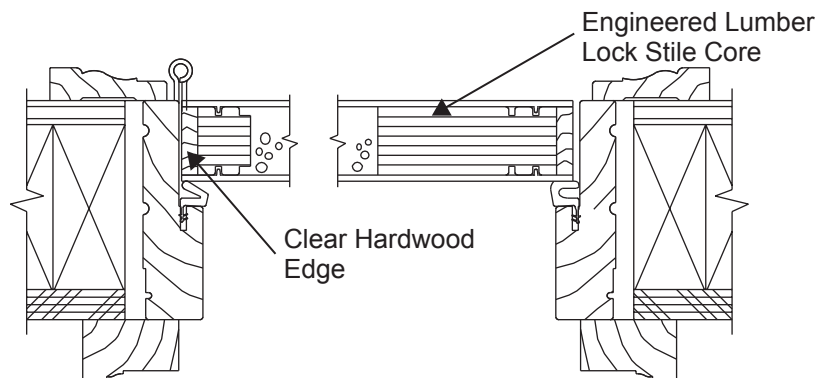
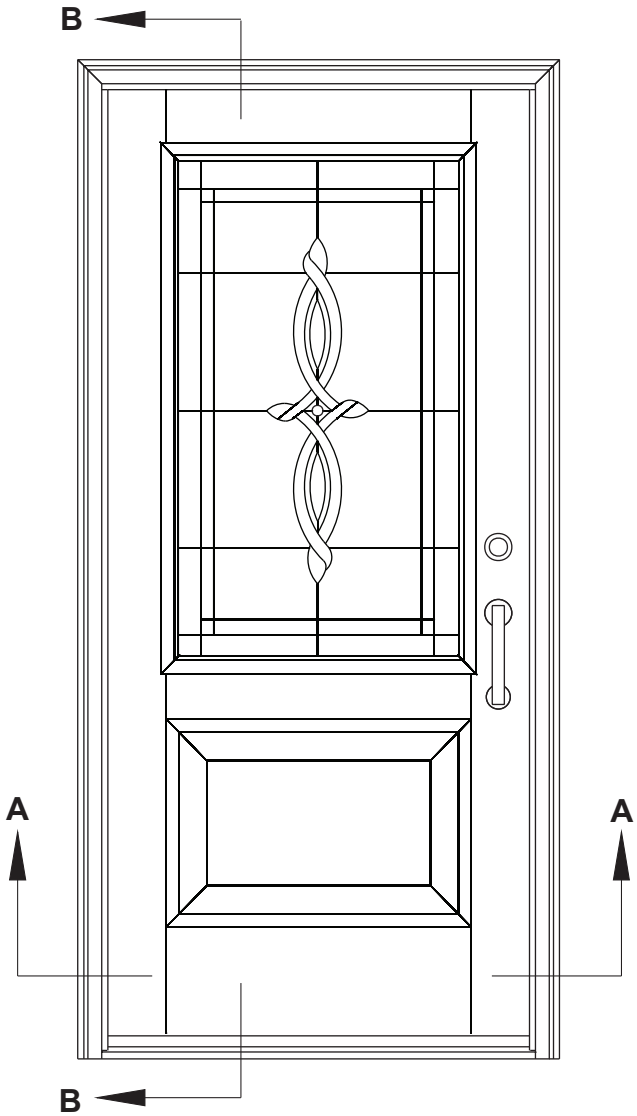




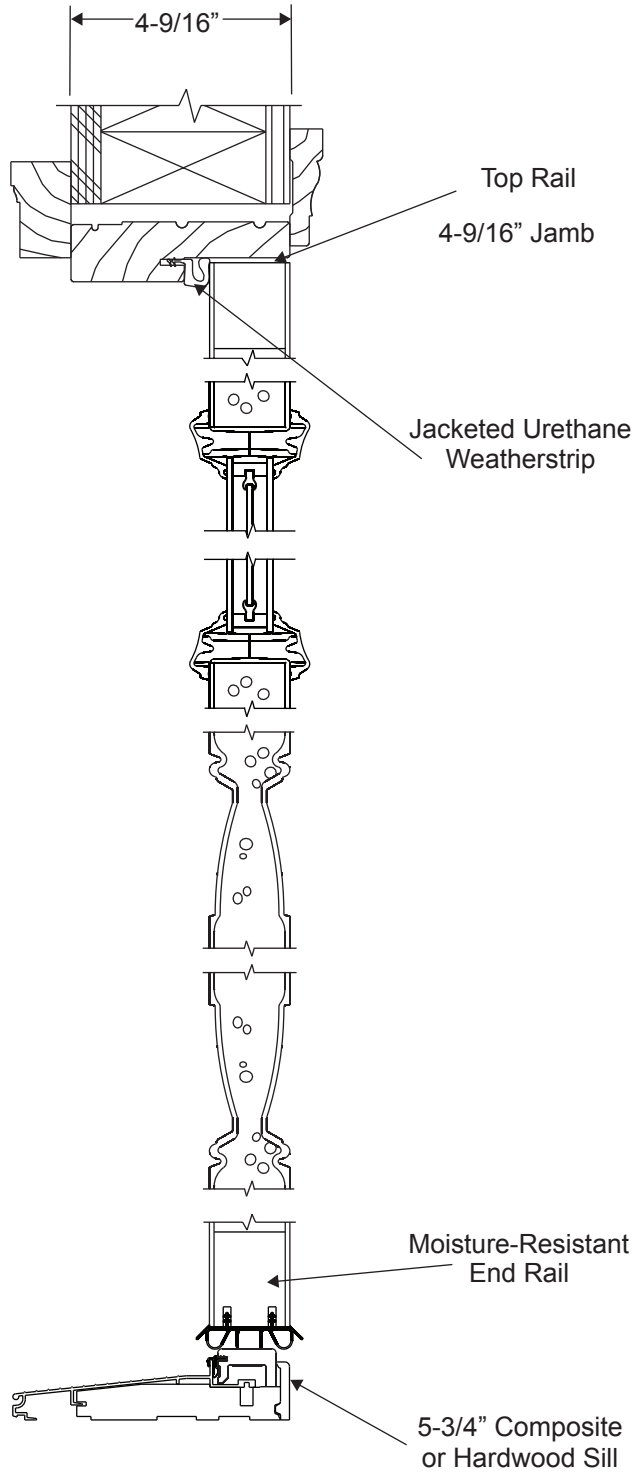


**SECTION B-B**

## Single Door Inswing

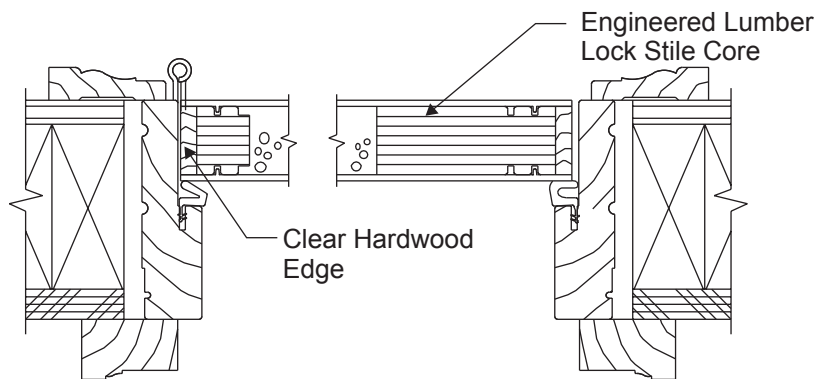
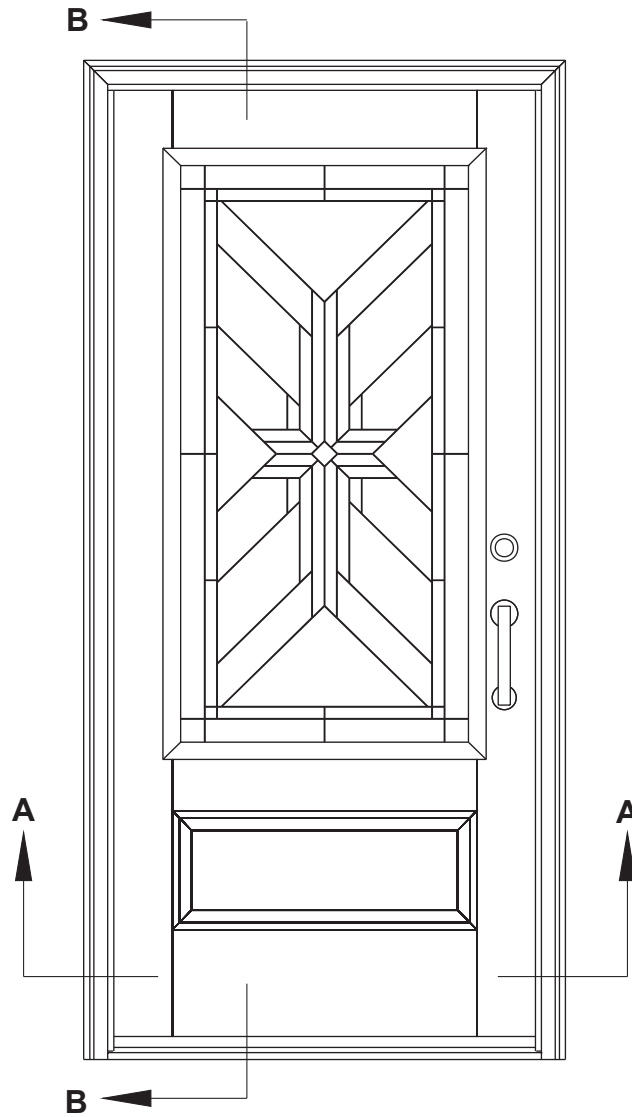


**SECTION A-A**

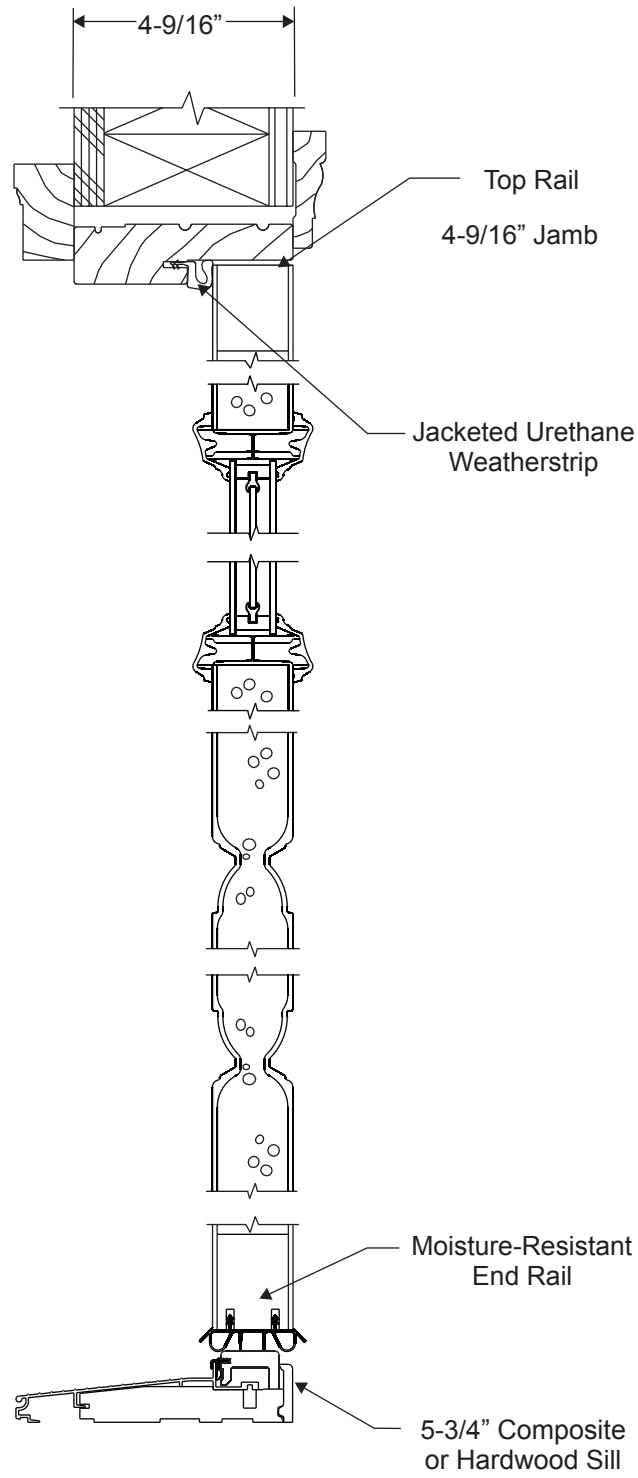


**SECTION B-B**

## Single Door Inswing



SECTION A-A

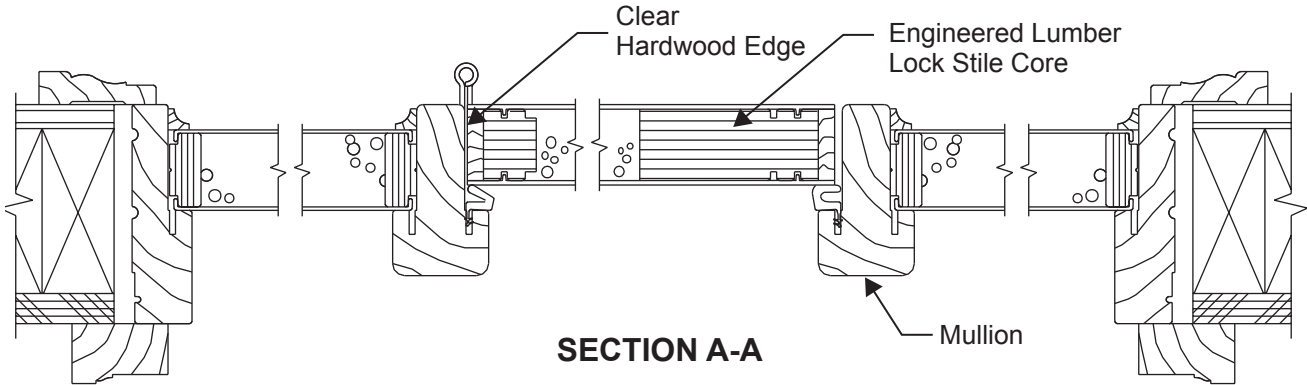
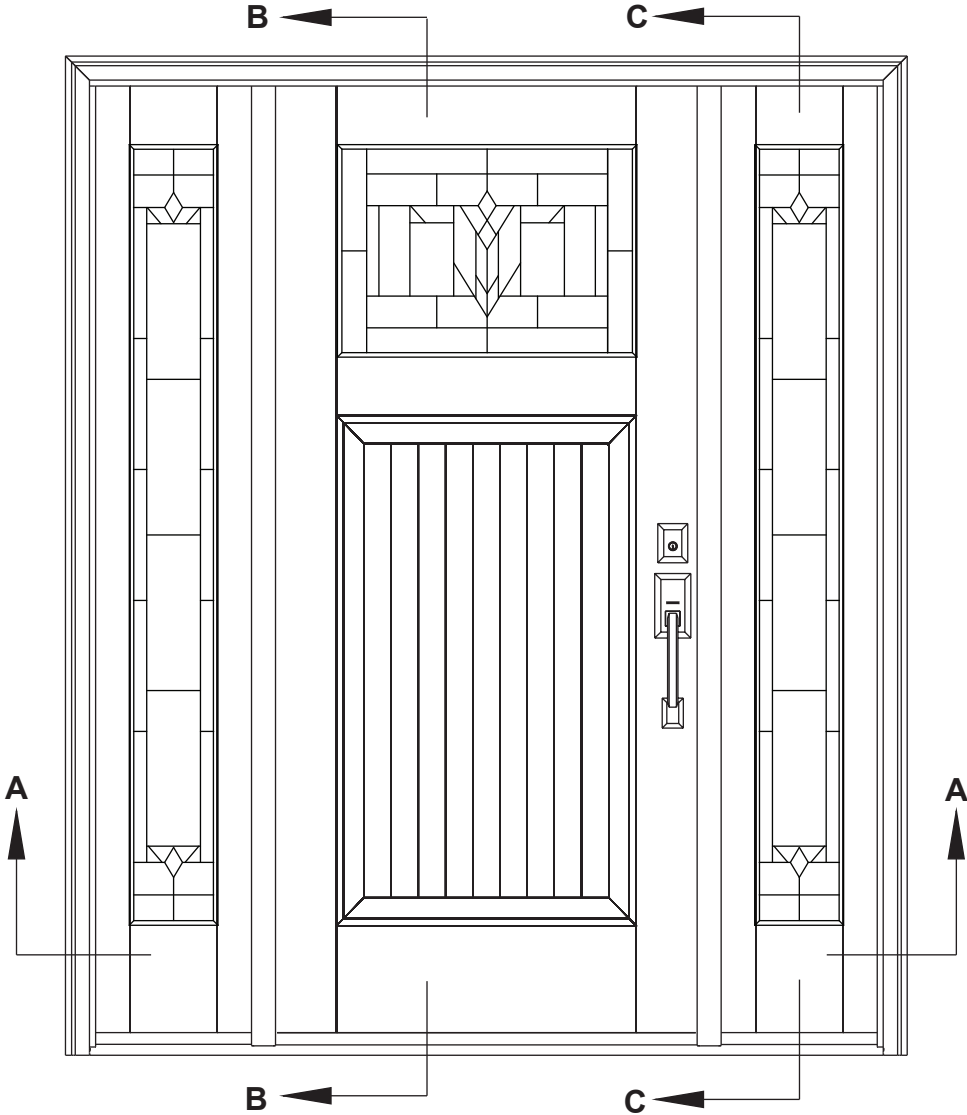


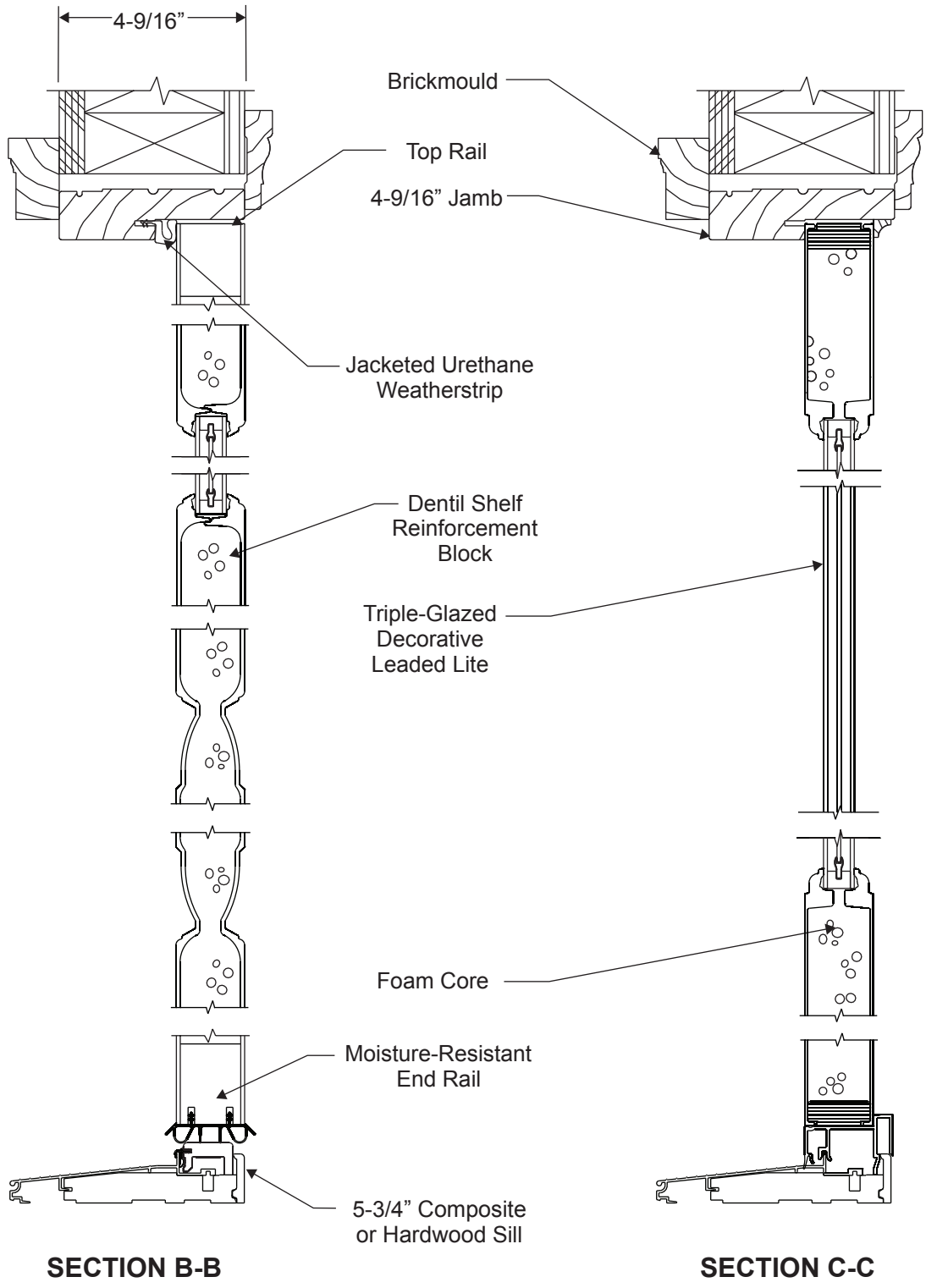
**SECTION B-B**

# Classic-Craft Canvas Style

Architectural  
Details

## Door/Sidelites with Continuous Head/Sill Frame

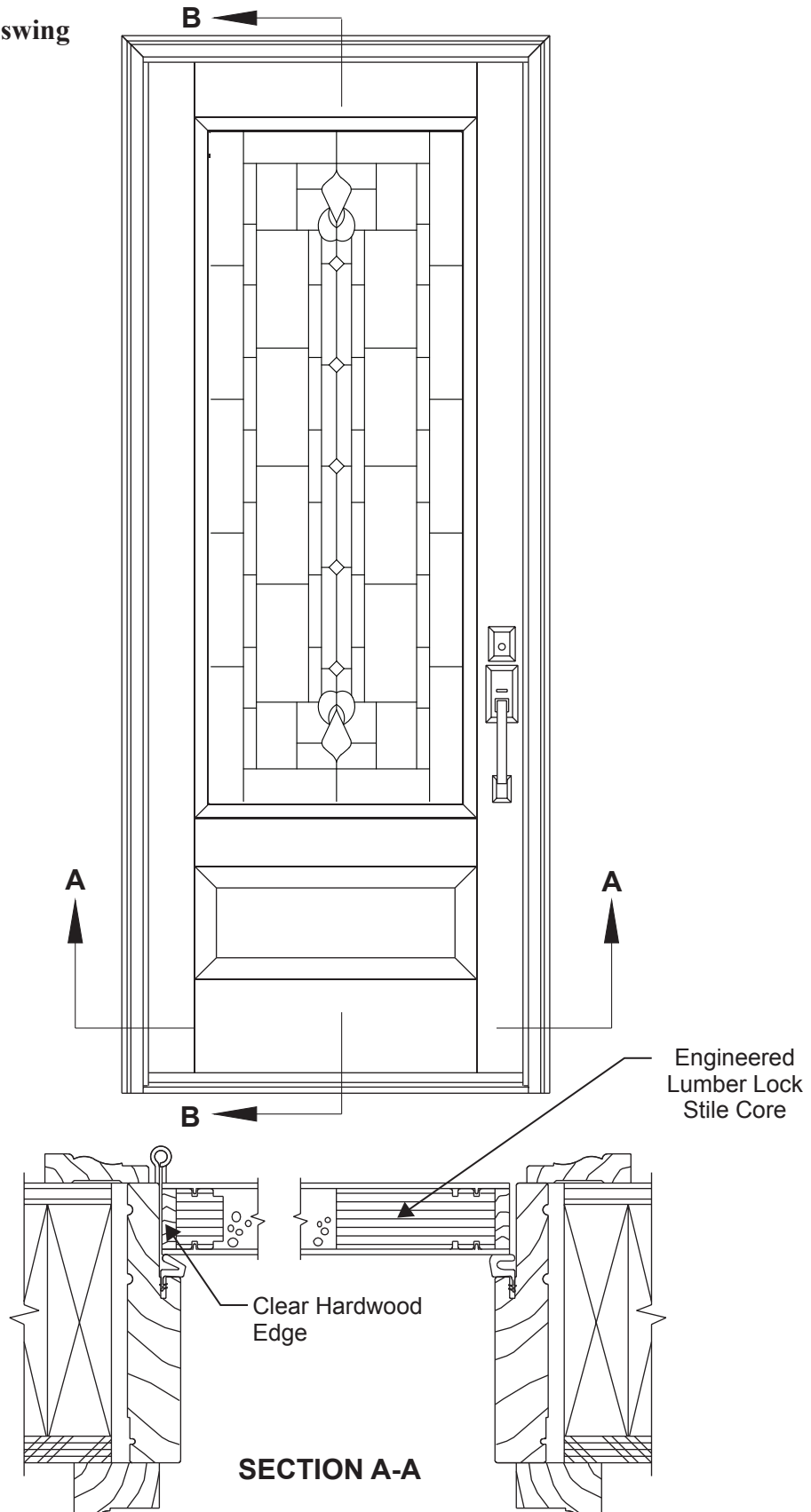




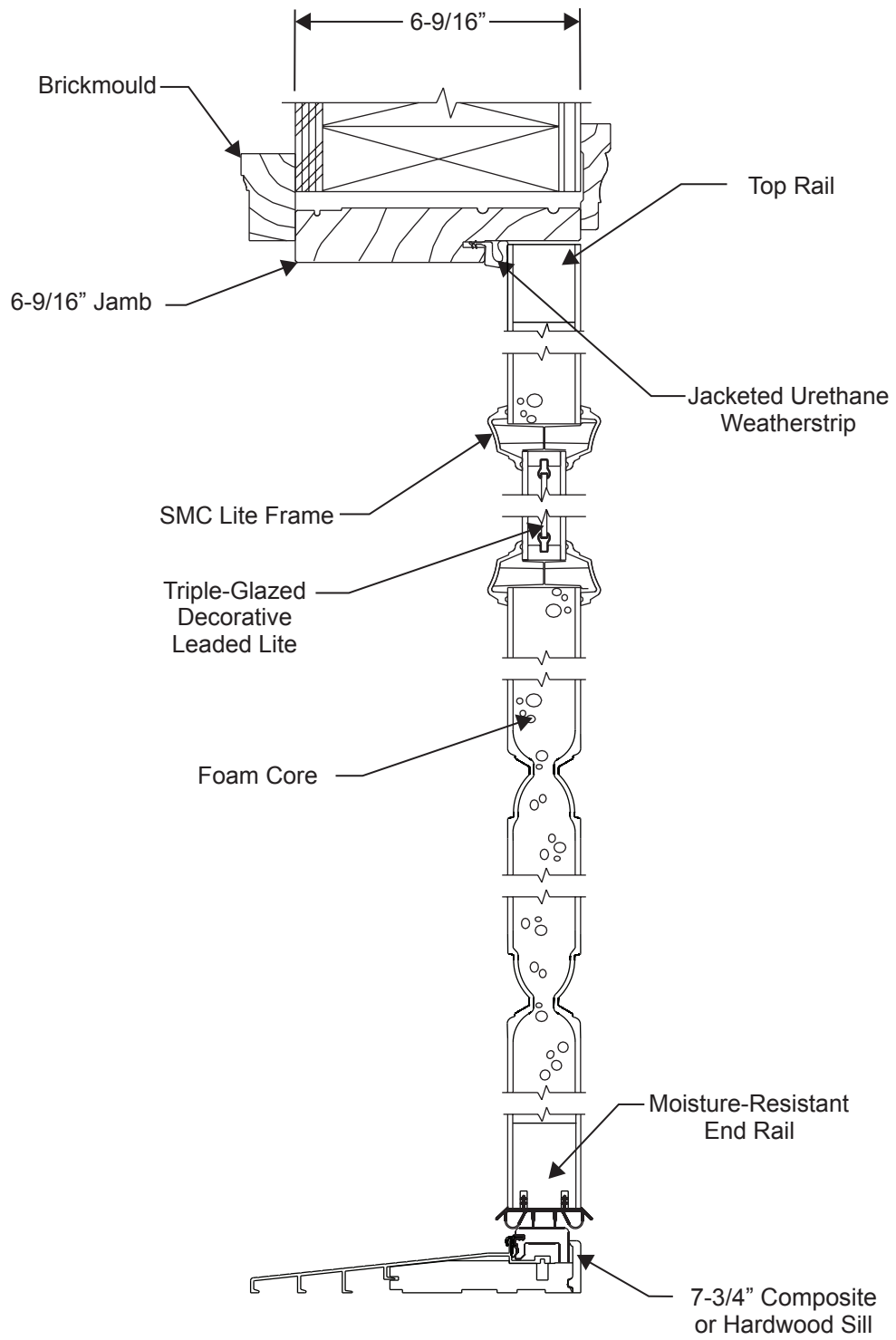
# Classic-Craft Canvas Style 8/0

Architectural  
Details

Single Door, Inswing

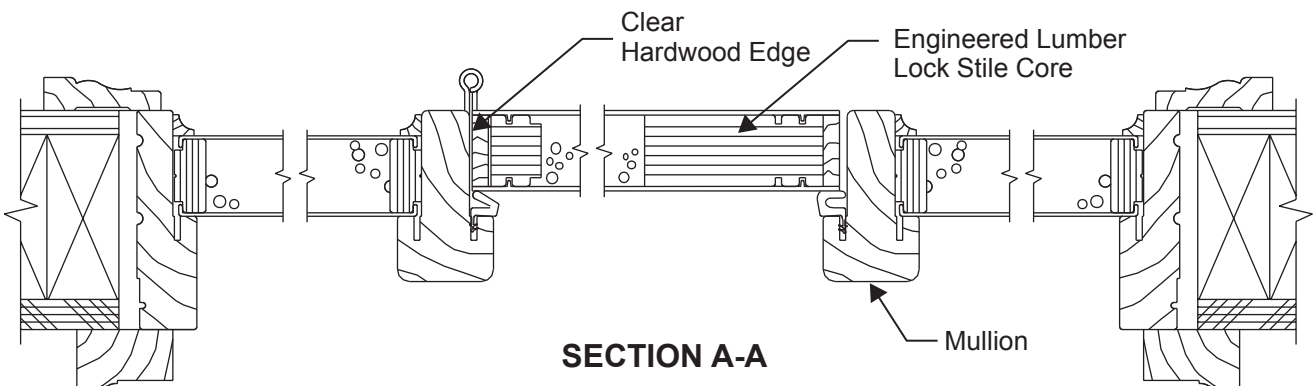
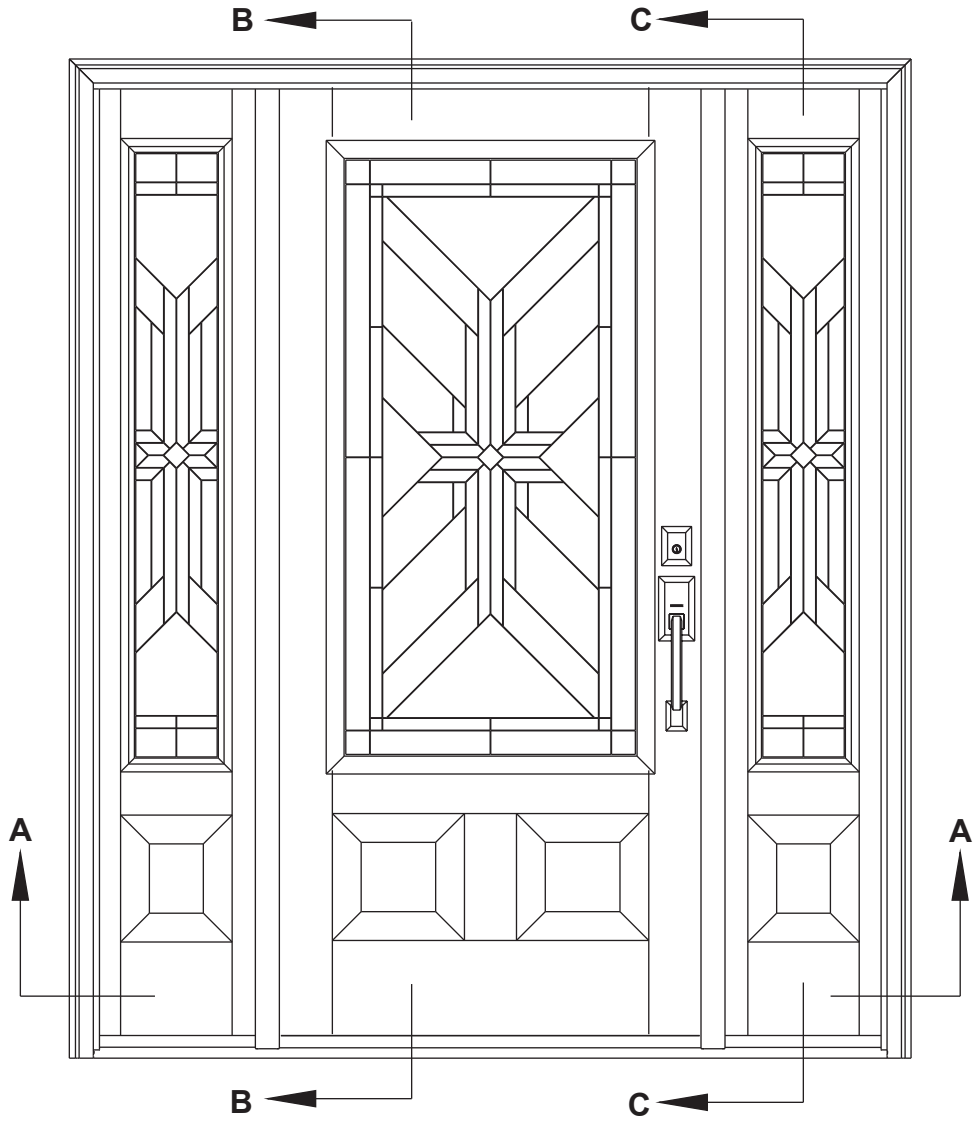


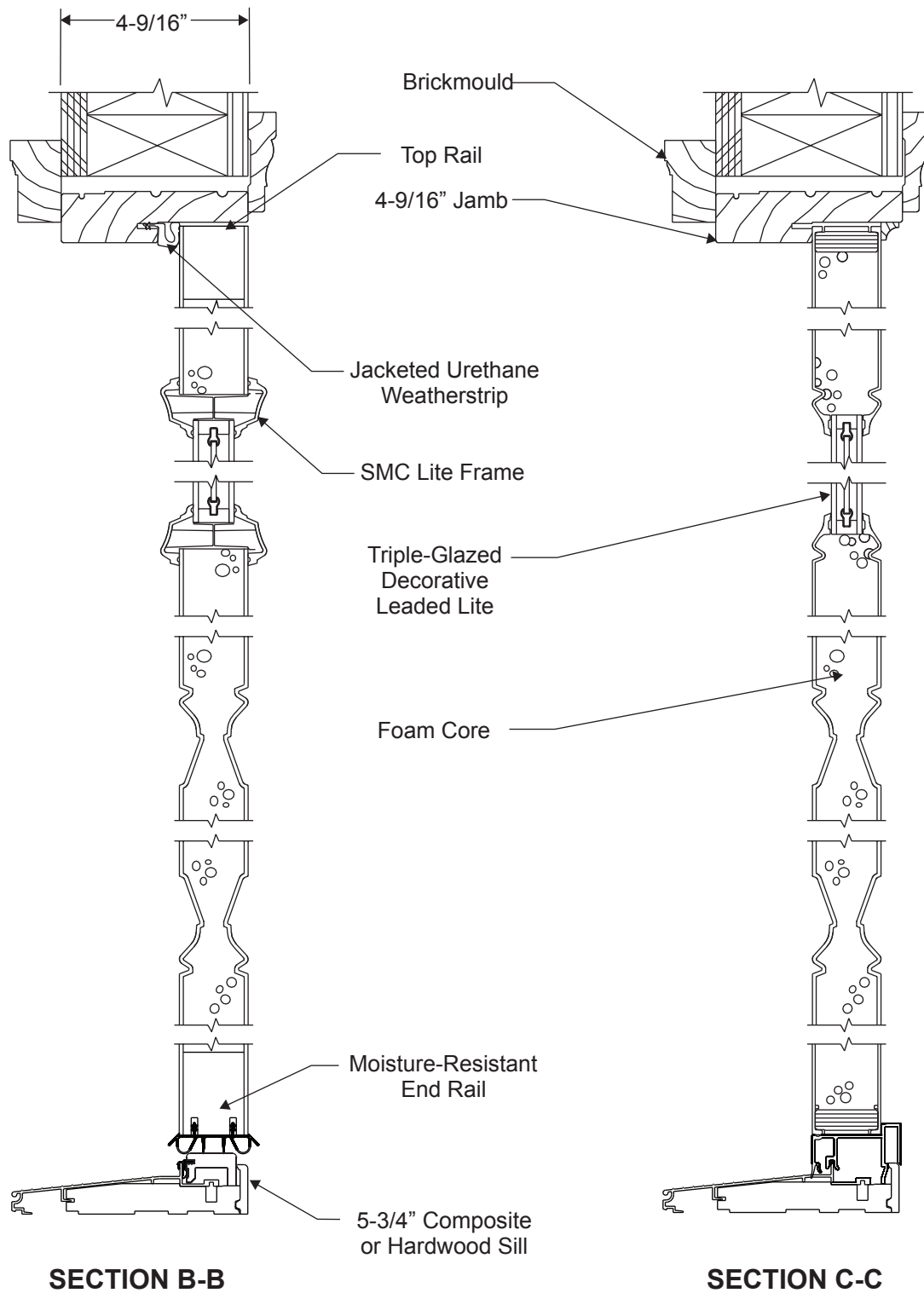




**SECTION B-B**

## Door/Sidelites with Continuous Head/Sill Frame

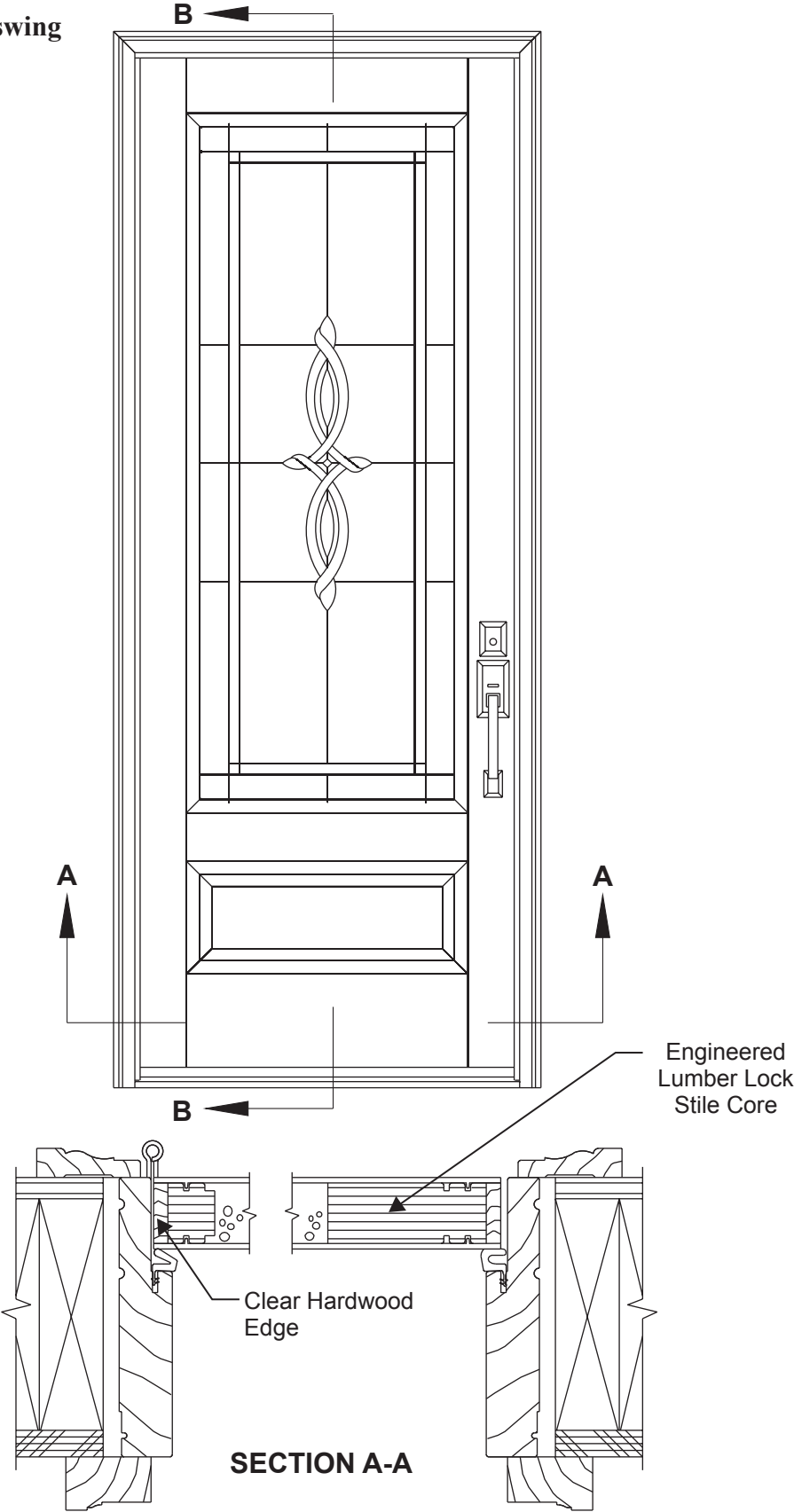


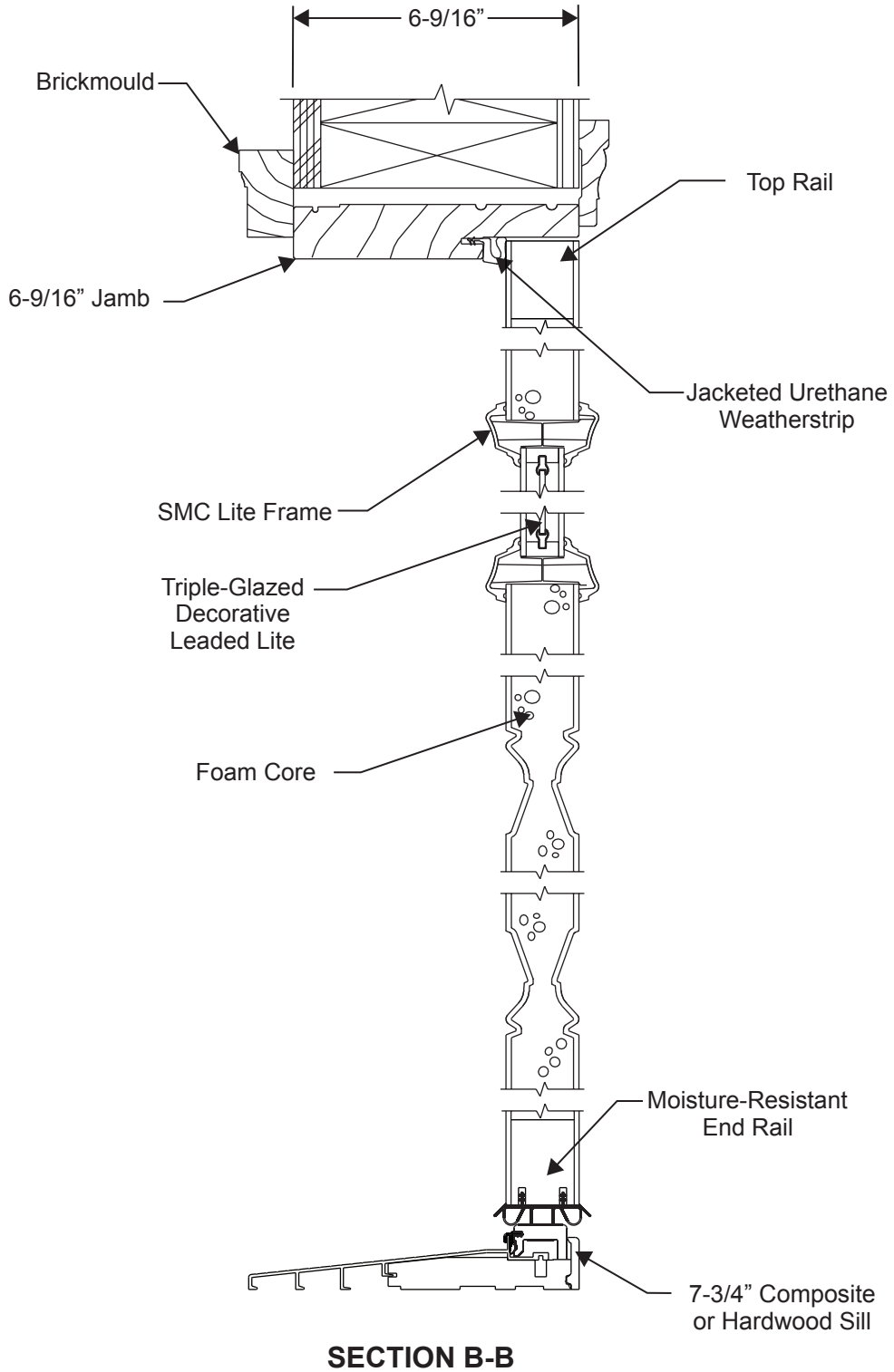


# Classic-Craft Mahogany 8/0

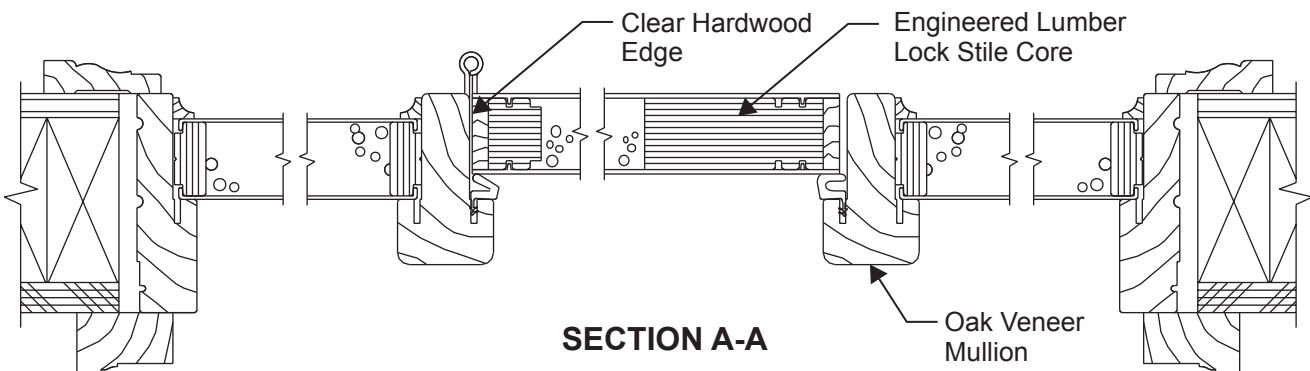
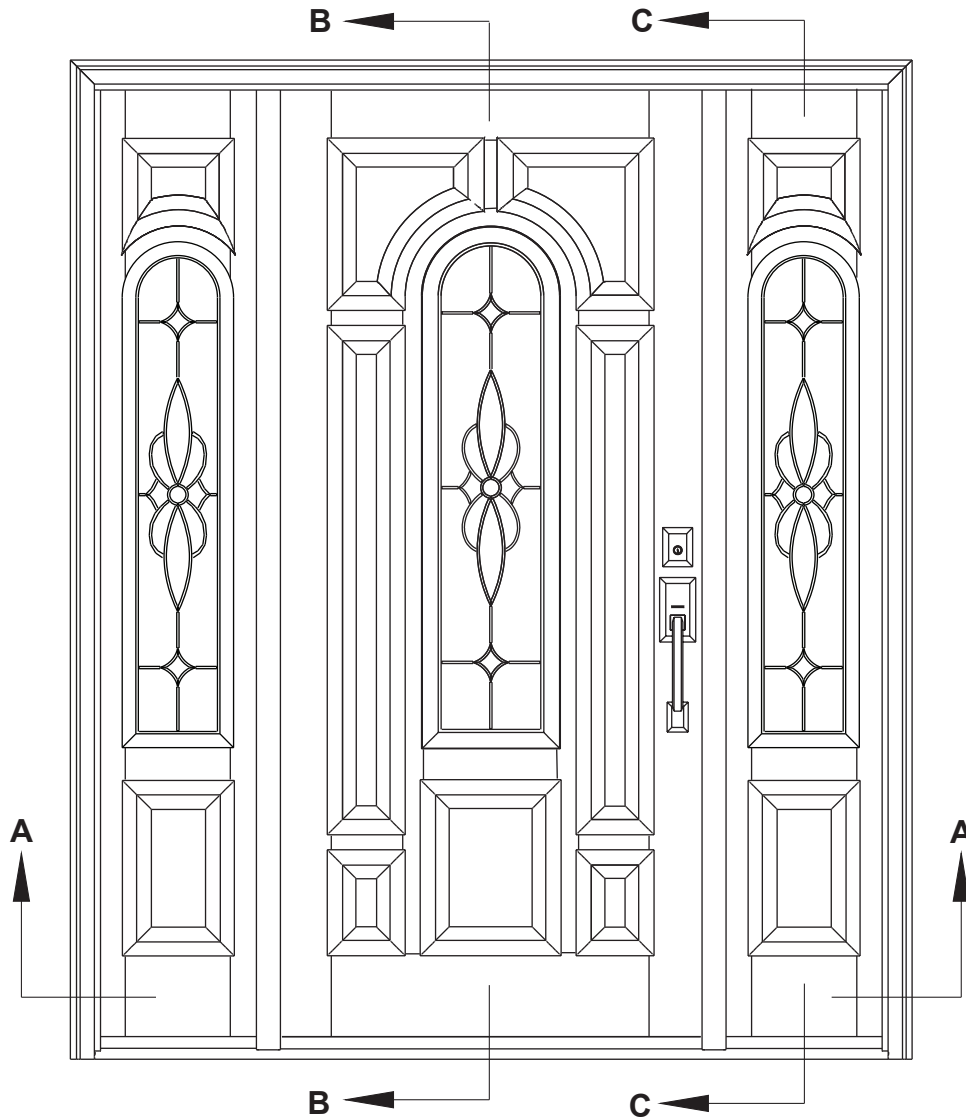
Single Door, Inswing

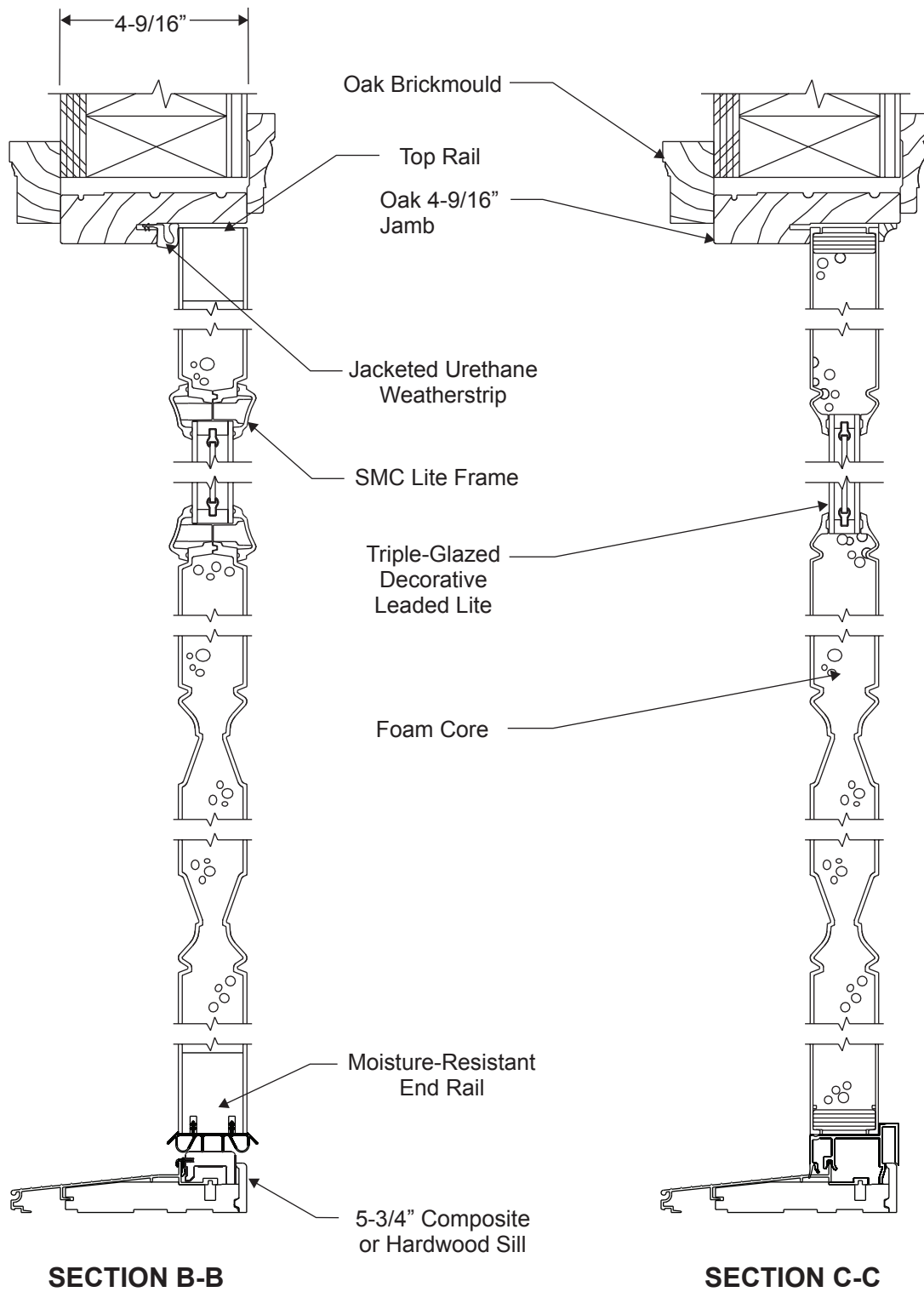
Architectural  
Details





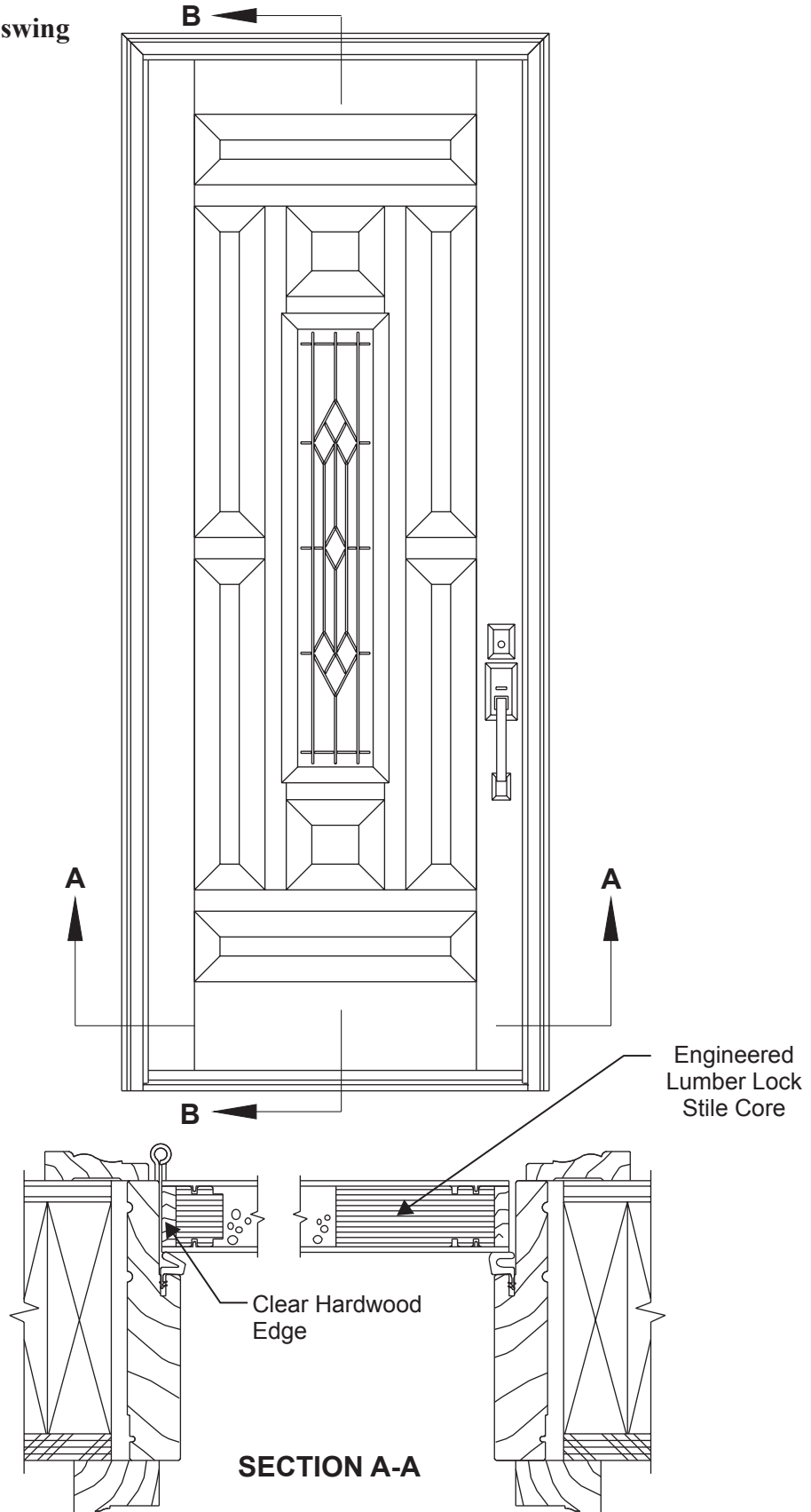
Door/Sidelites with Continuous Head/Sill Frame



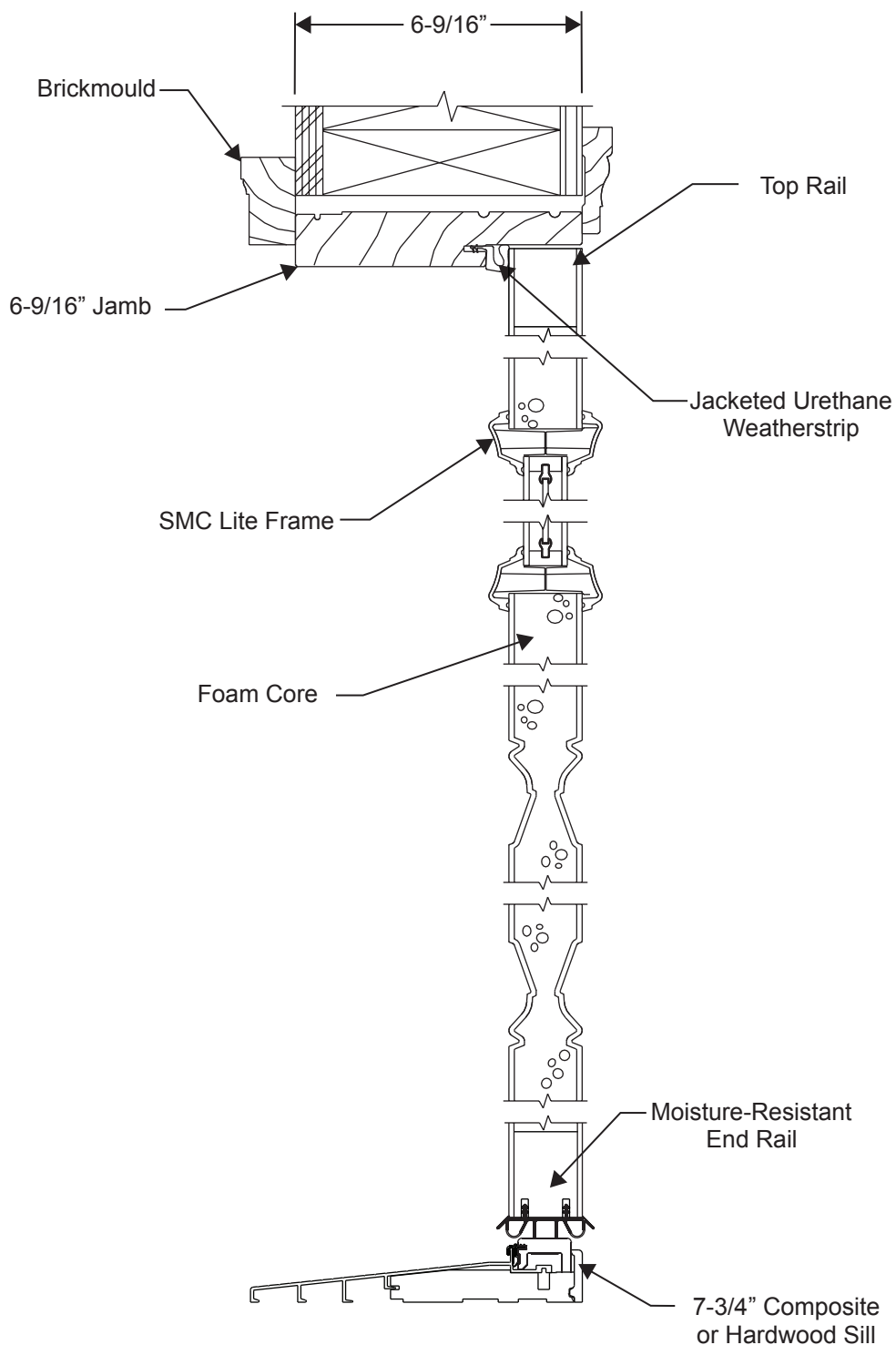


Single Door, Inswing

Architectural  
Details

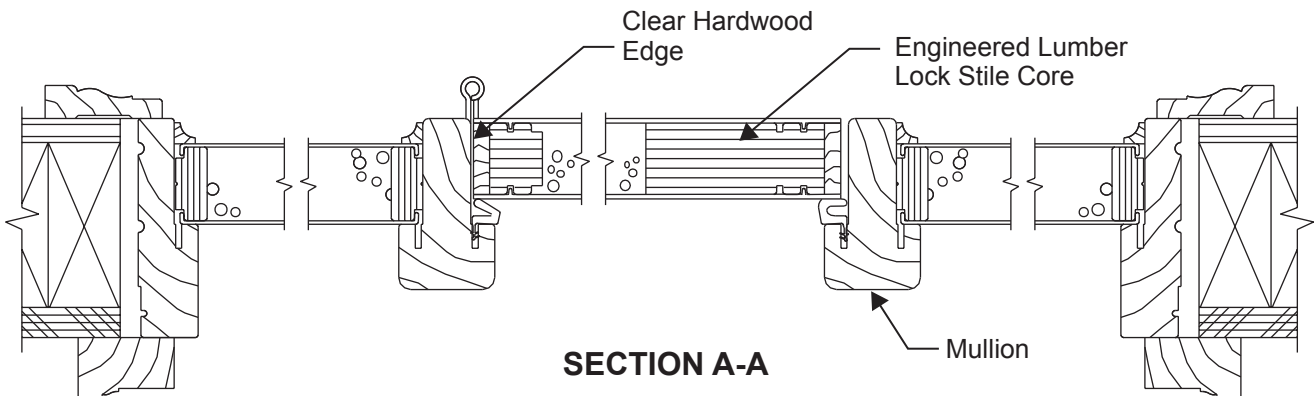


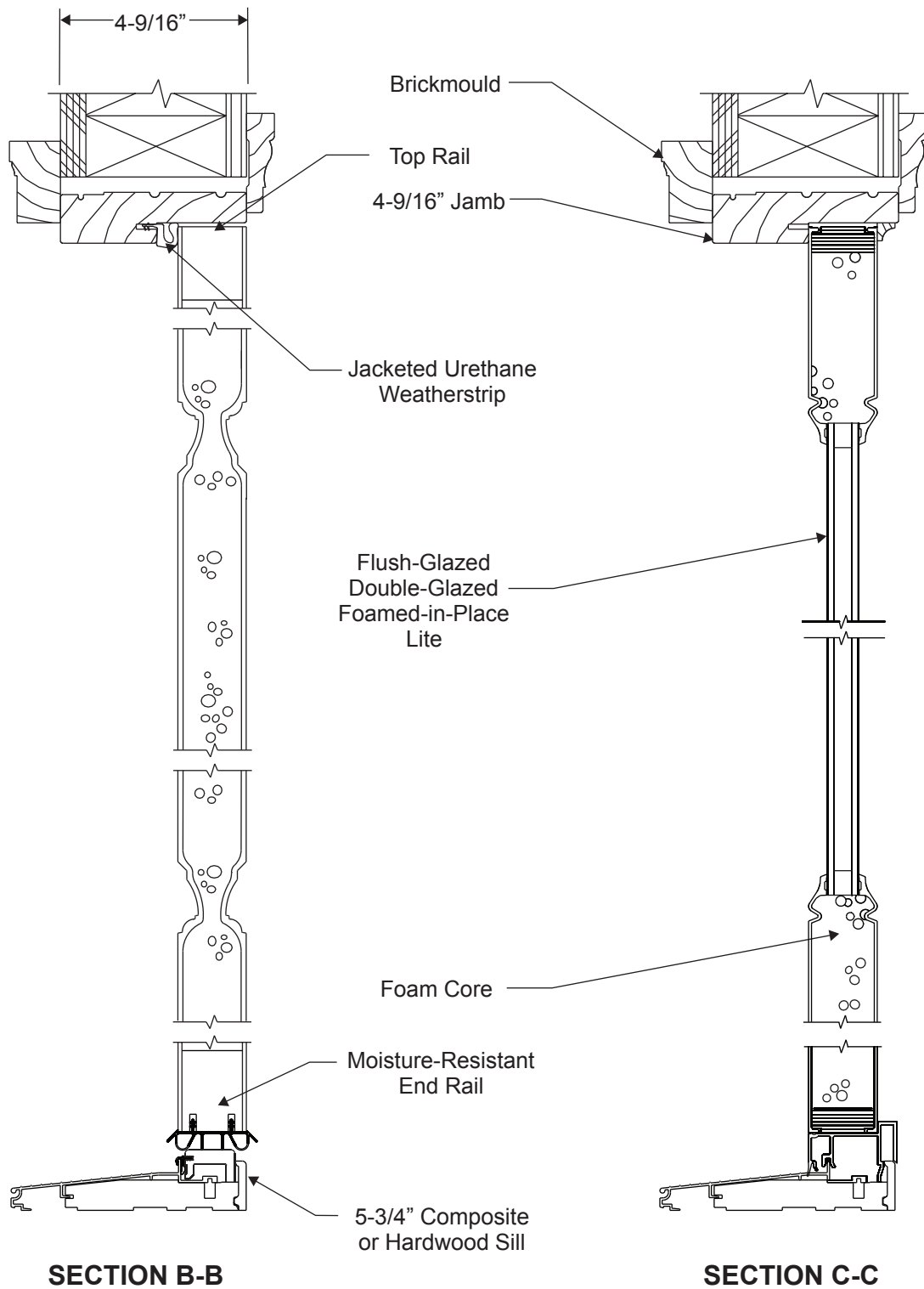




**SECTION B-B**

Door/Sidelites with Continuous Head/Sill Frame

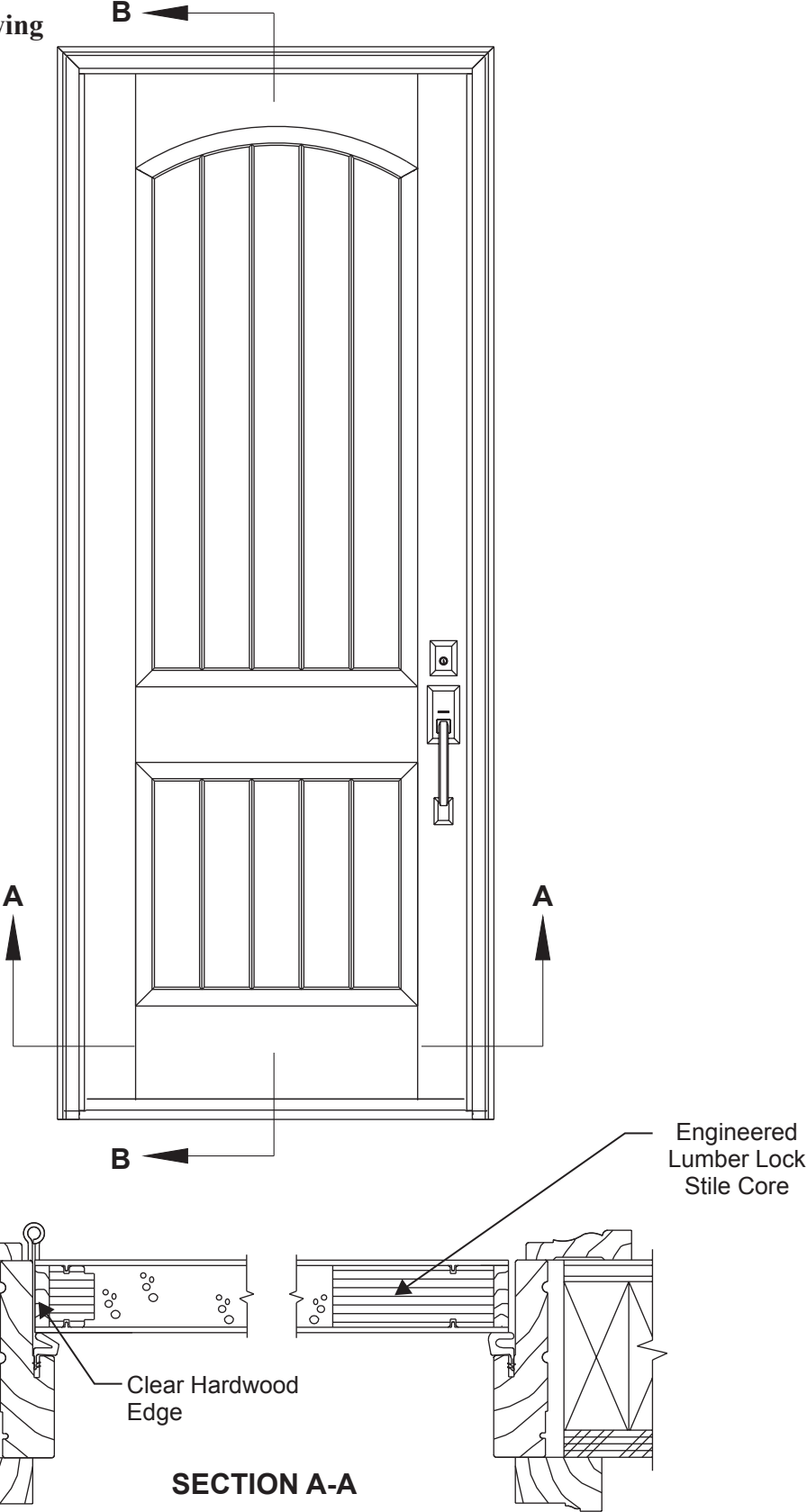


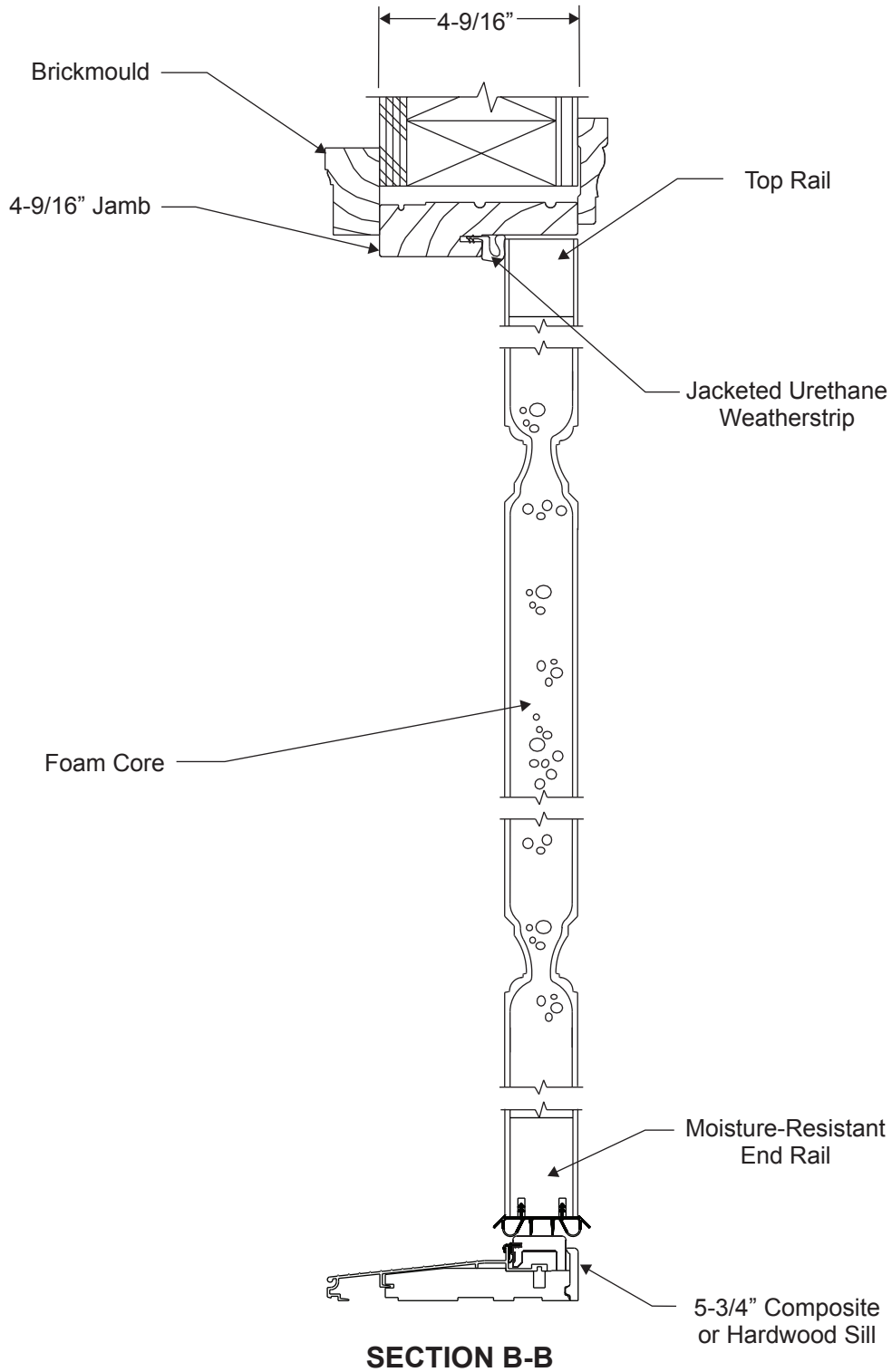


# Classic-Craft Rustic 8/0

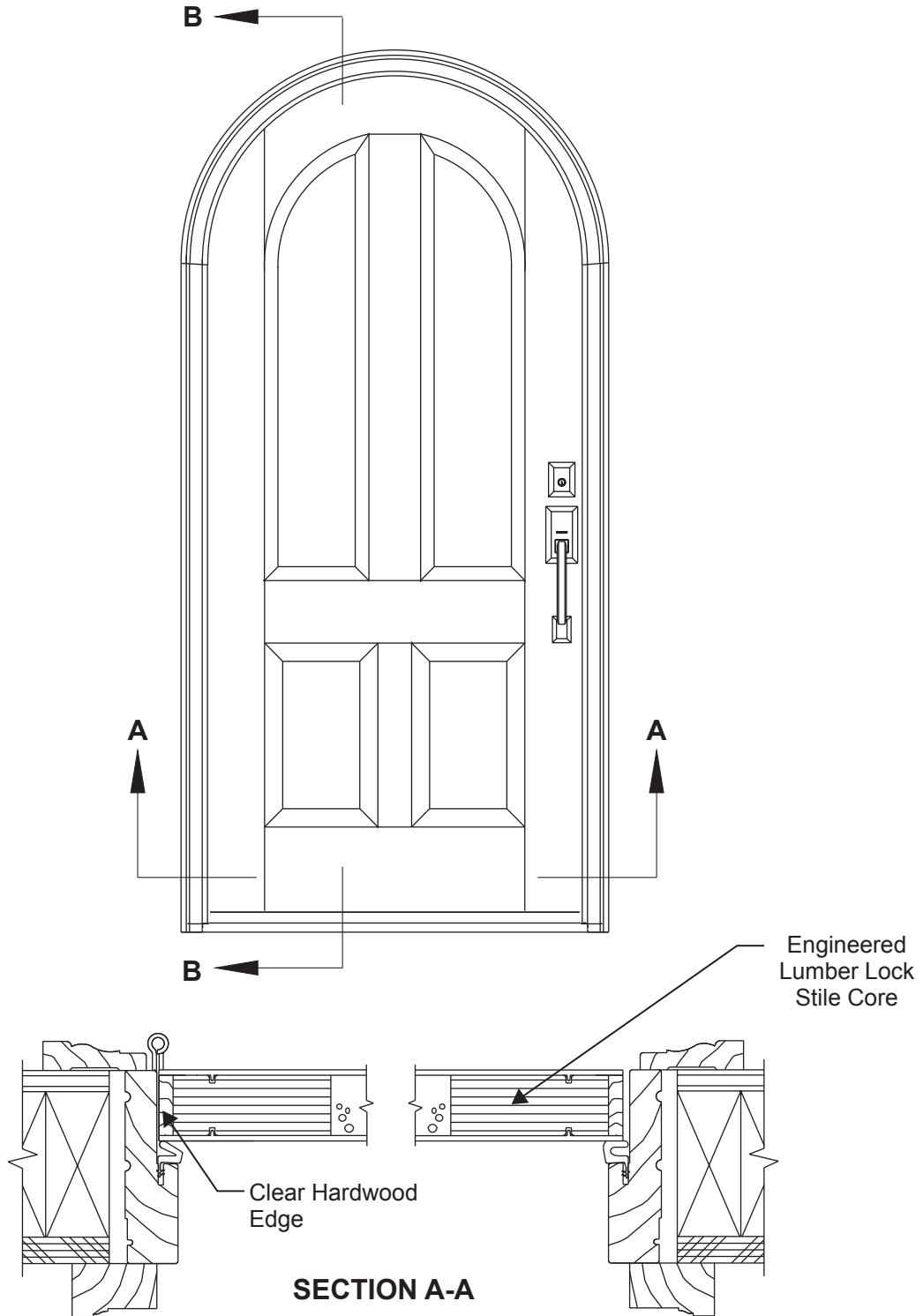
Architectural  
Details

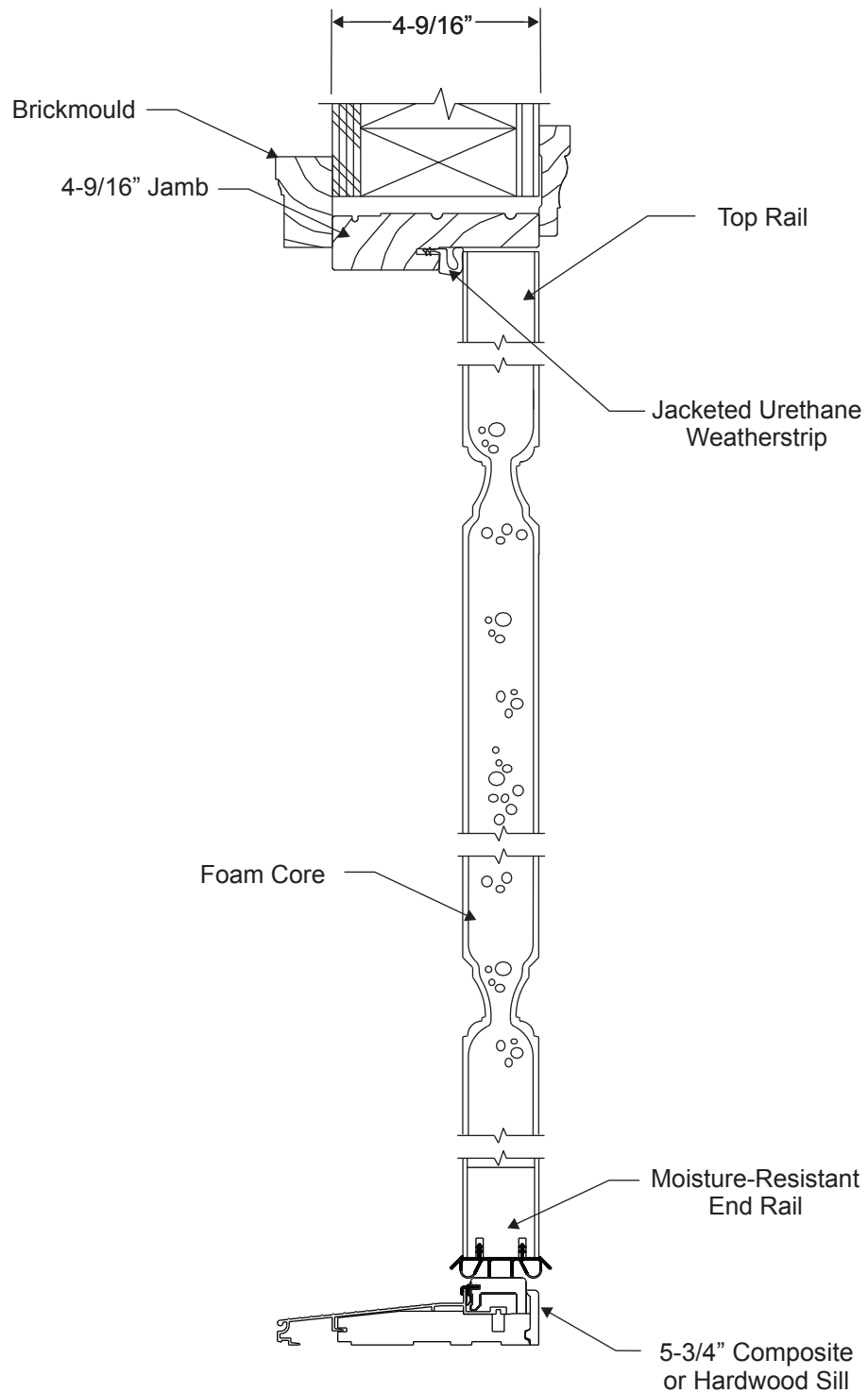
8/0 Single Door, Inswing





## 6/8 Single Radius Top Door, Inswing



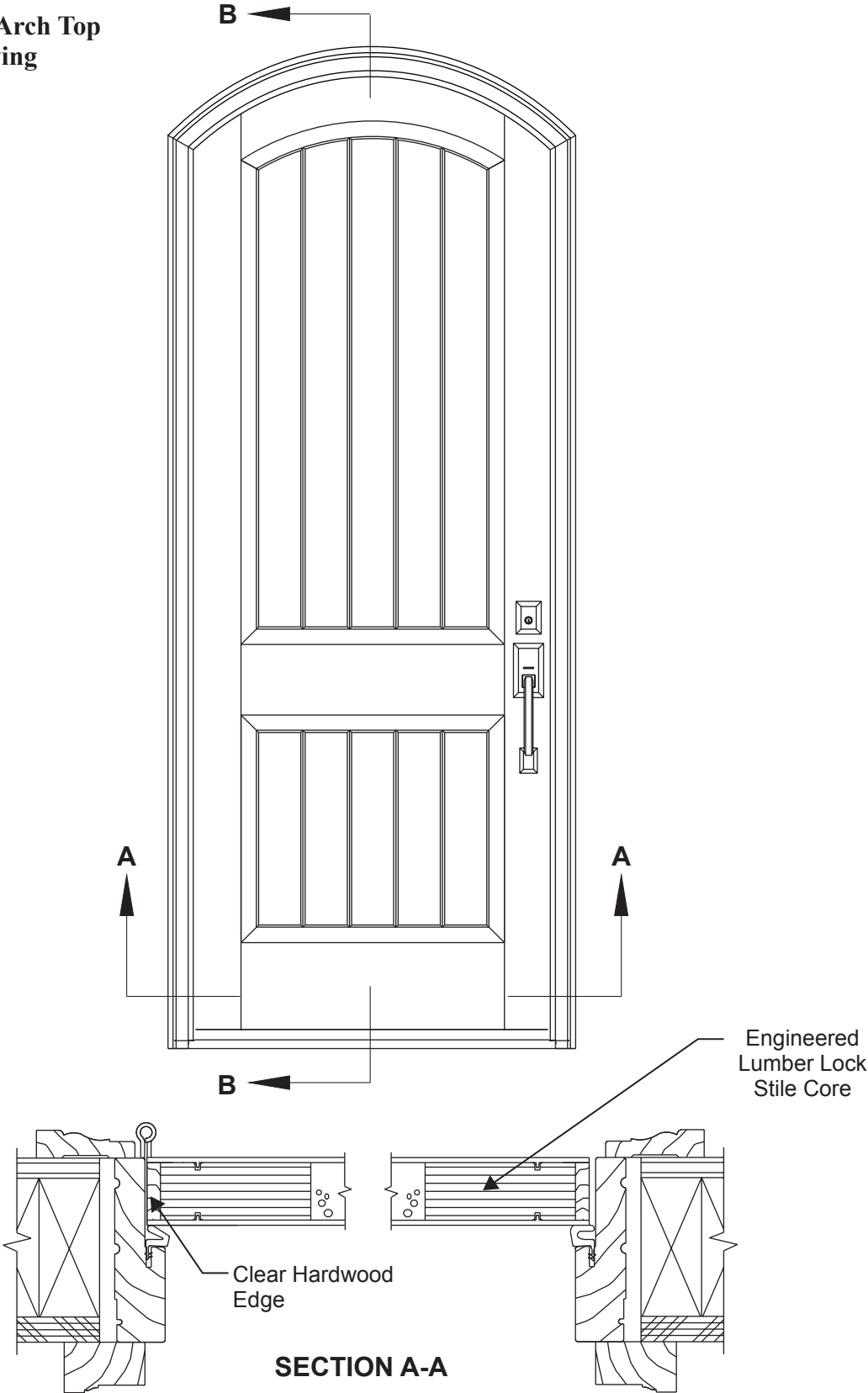


**SECTION B-B**

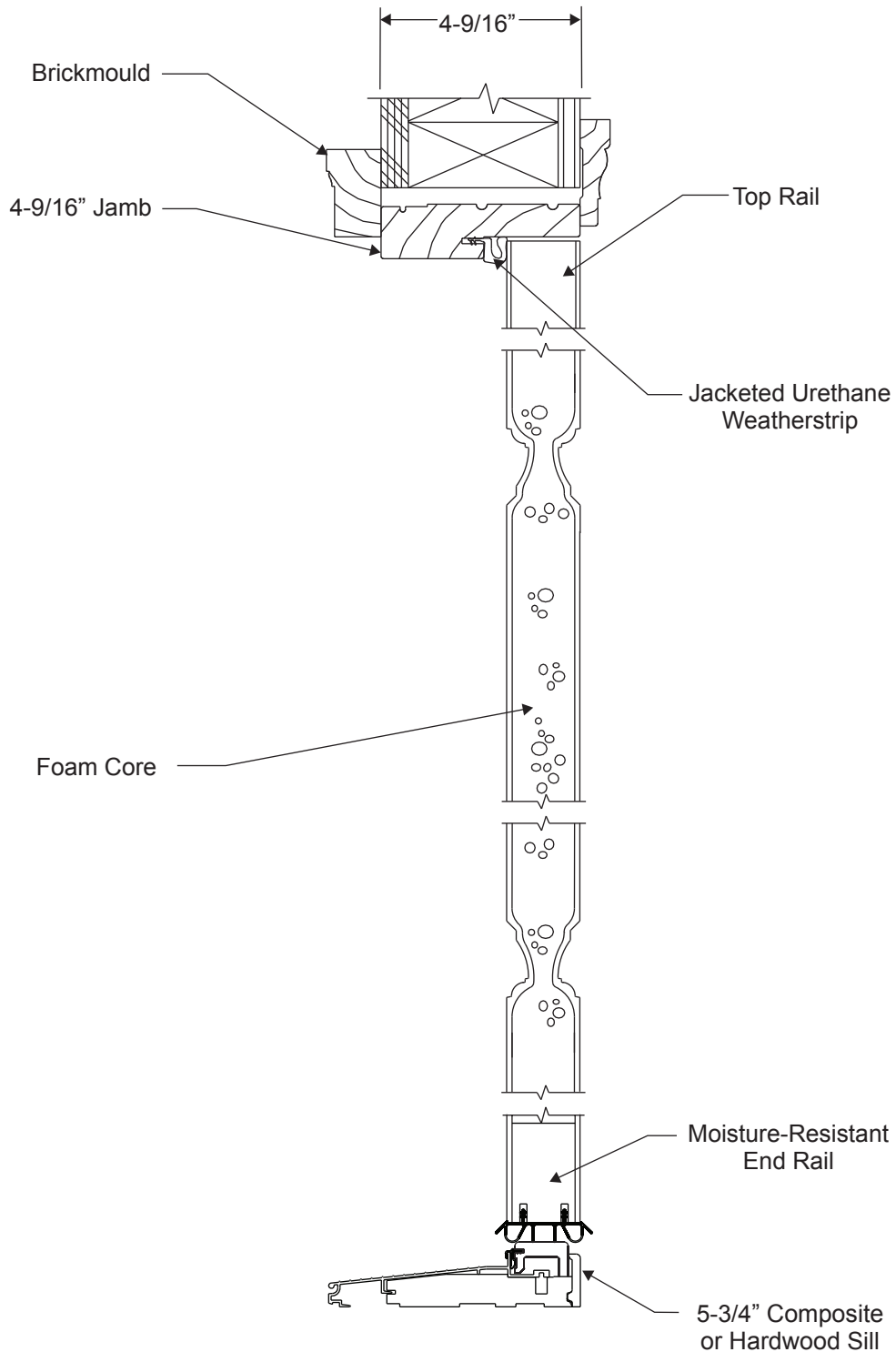
# Classic-Craft Rustic Arch Top

Architectural  
Details

**8/0 Single Arch Top  
Door, Inswing**





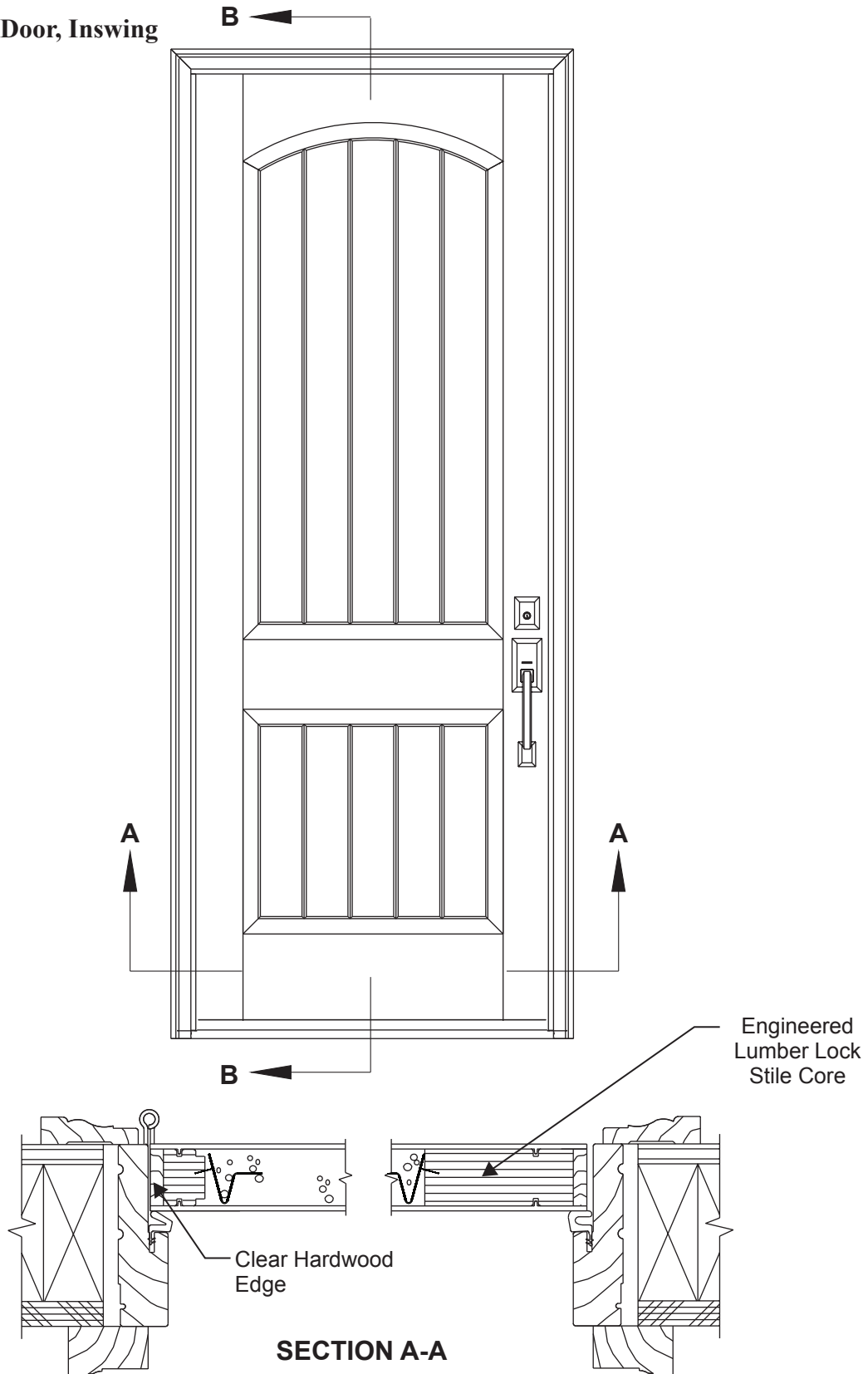


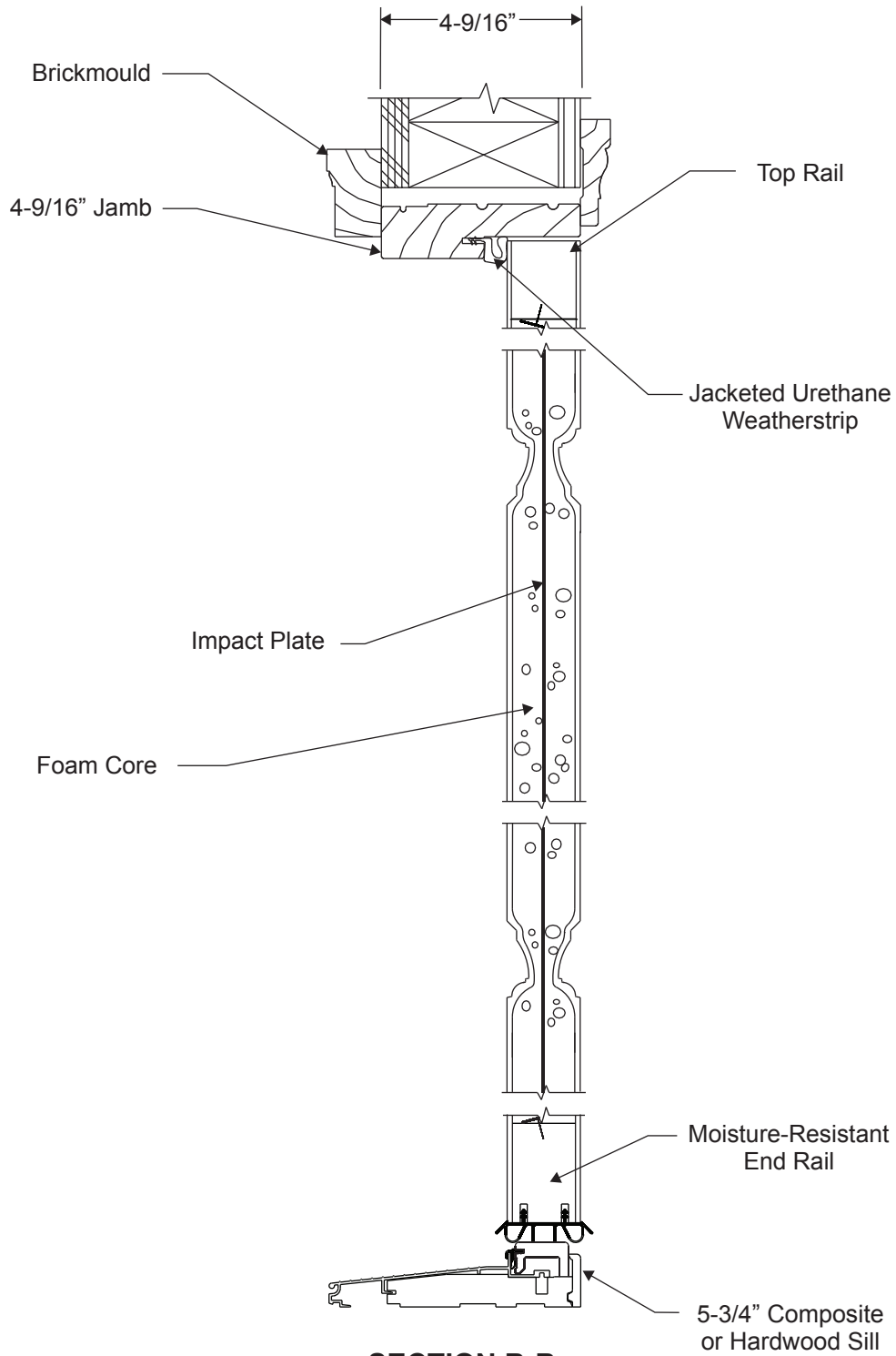
**SECTION B-B**

# Classic-Craft Rustic Square Top Impact

Architectural  
Details

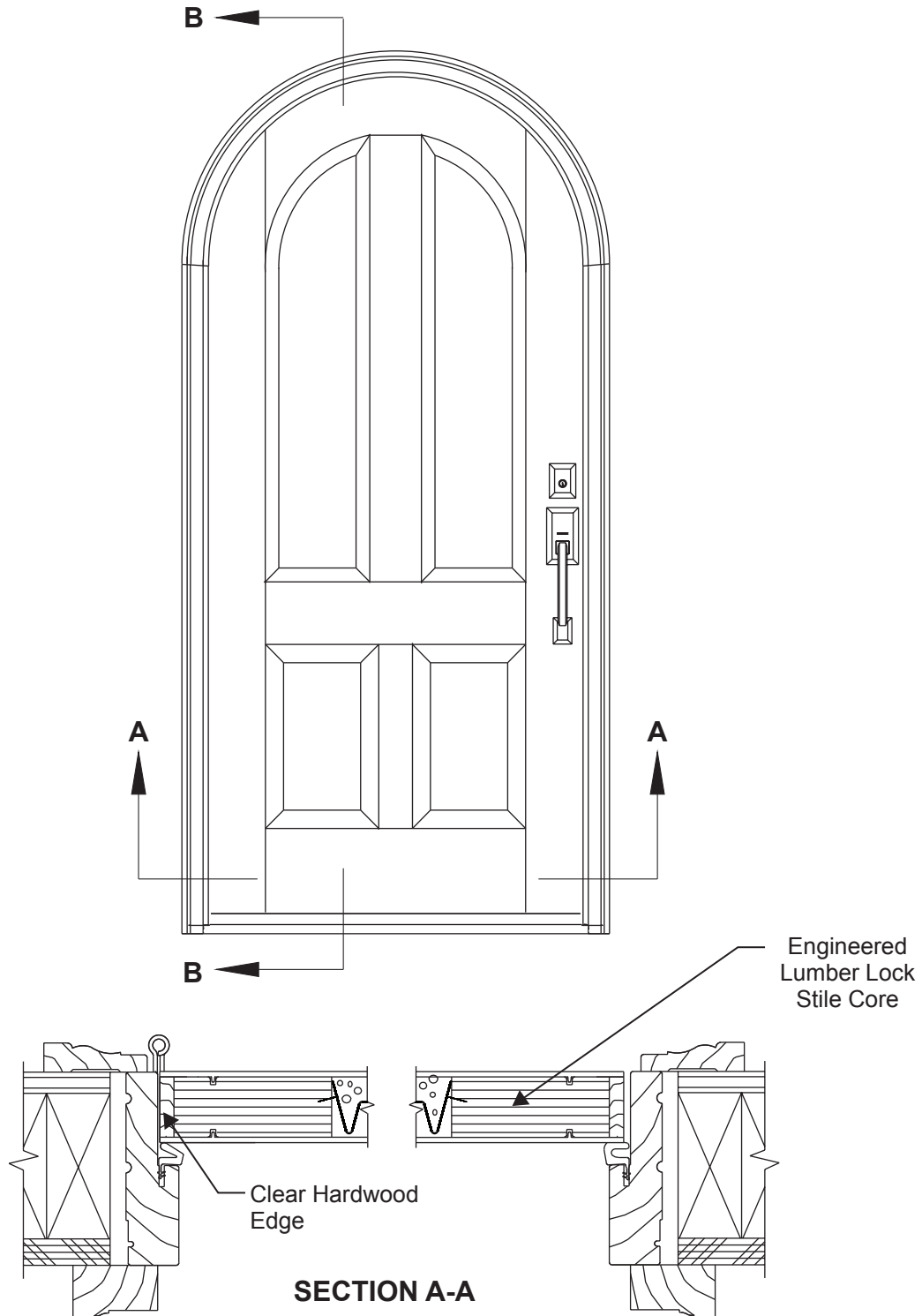
8/0 Single Door, Inswing  
(Shown)

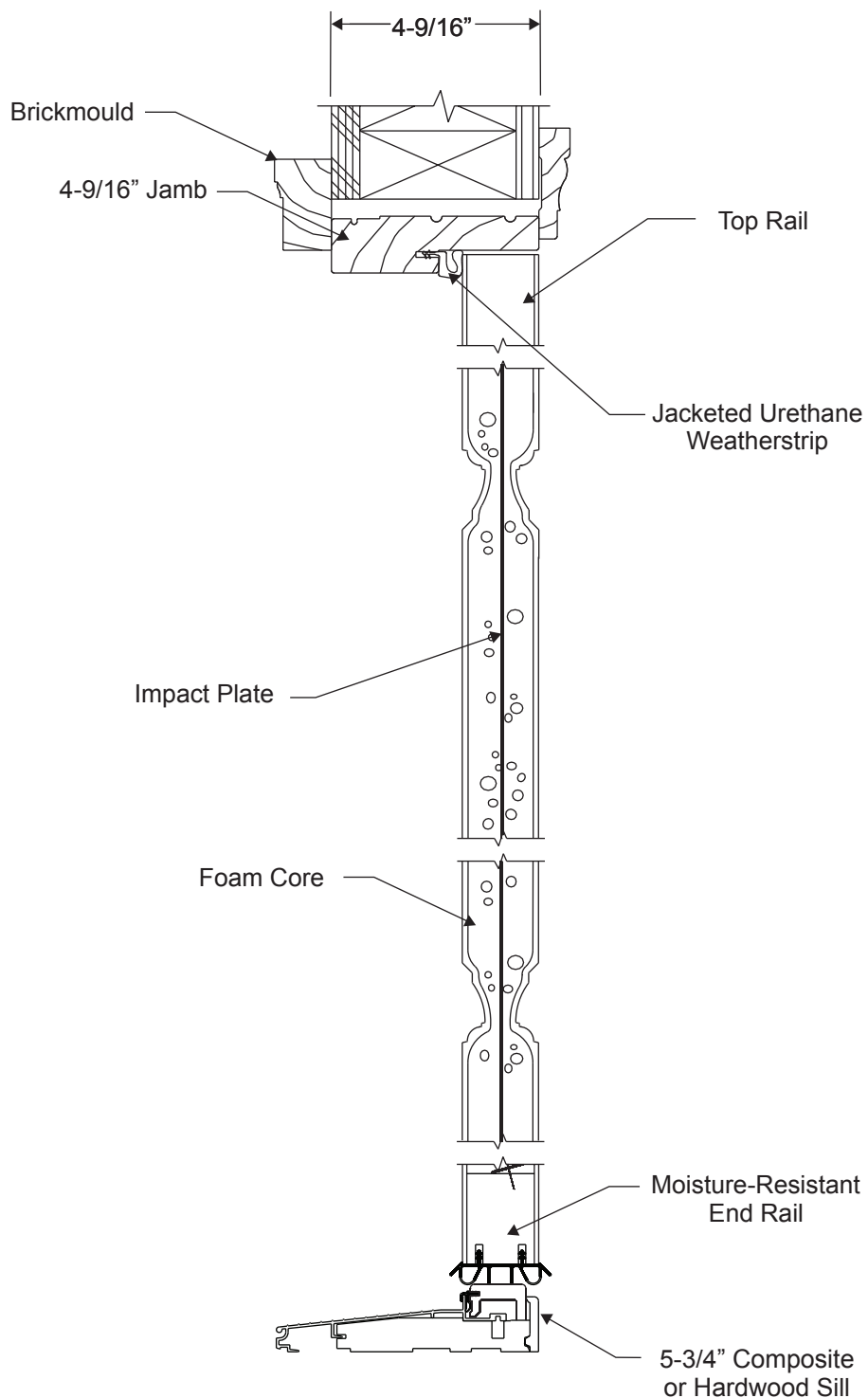




**SECTION B-B**

## 6/8 Single Radius Top Door, Inswing



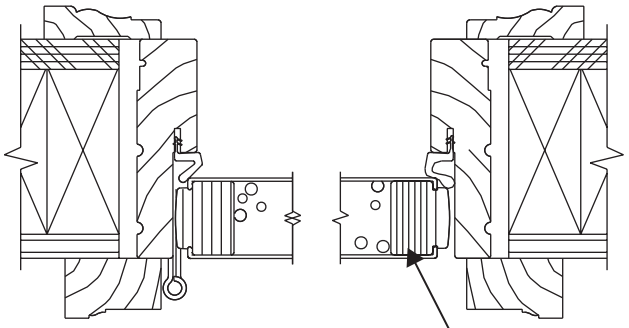
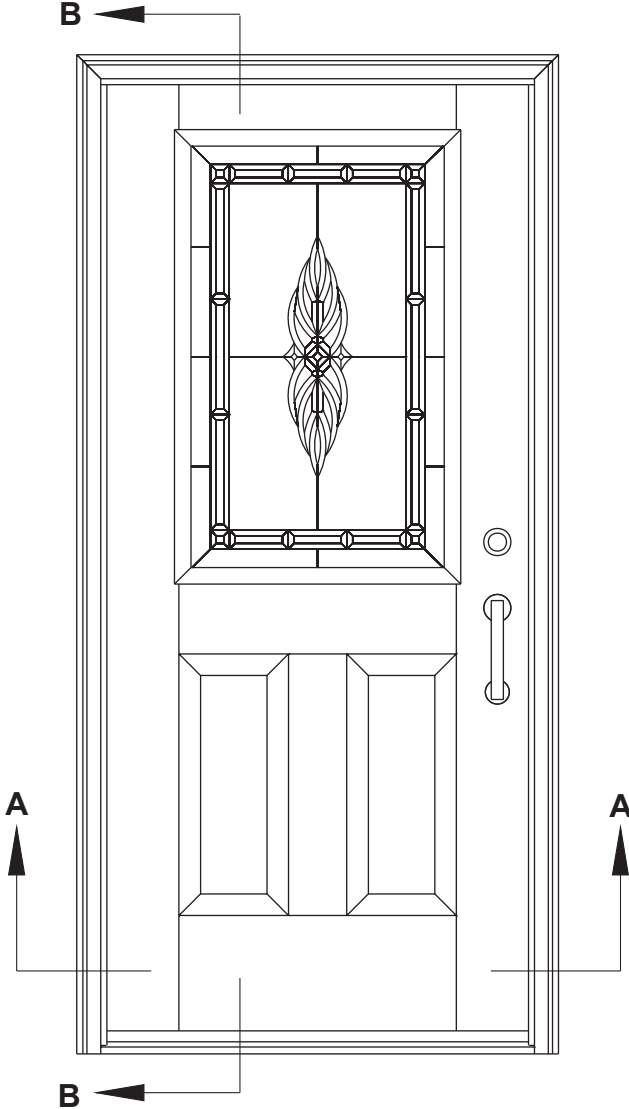


**SECTION B-B**

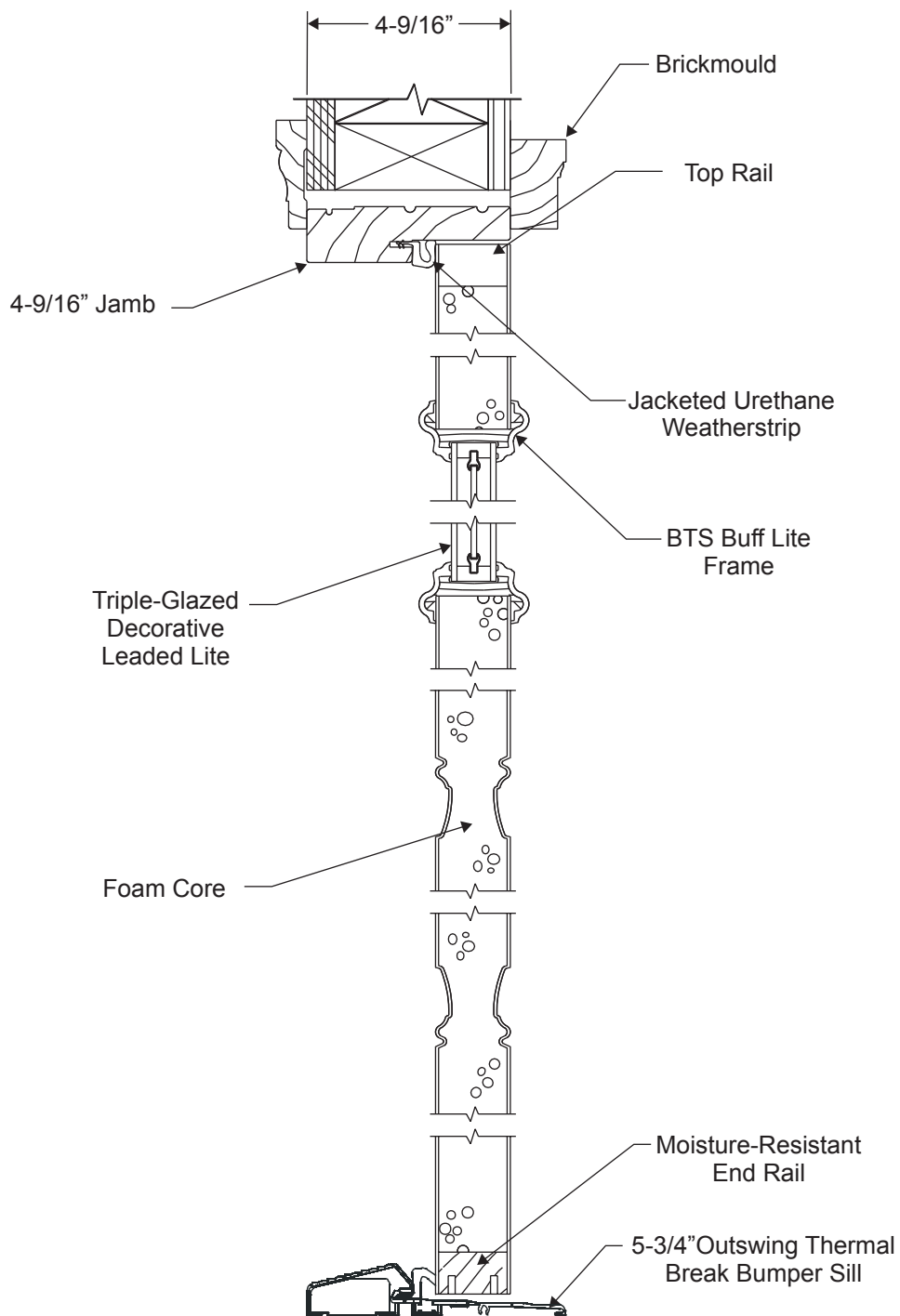
# Fiber-Classic Mahogany

Architectural  
Details

Single Door, Outswing



**SECTION A-A** — Engineered Lumber Lock Stile Core

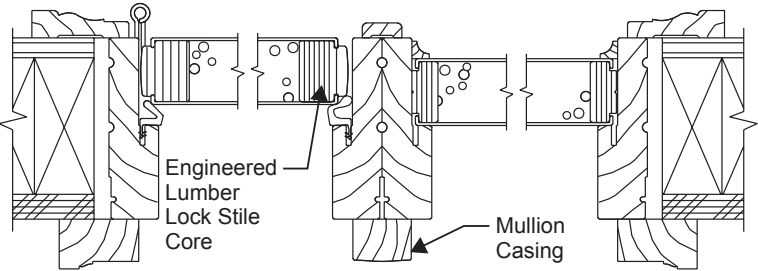
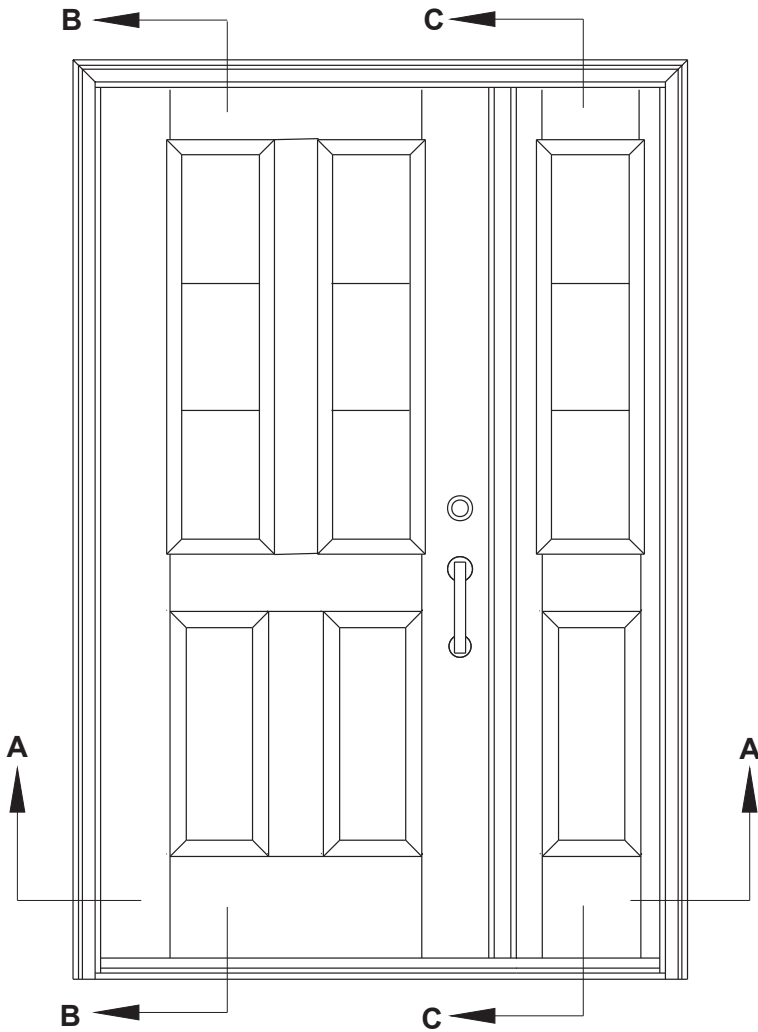


**SECTION B-B**

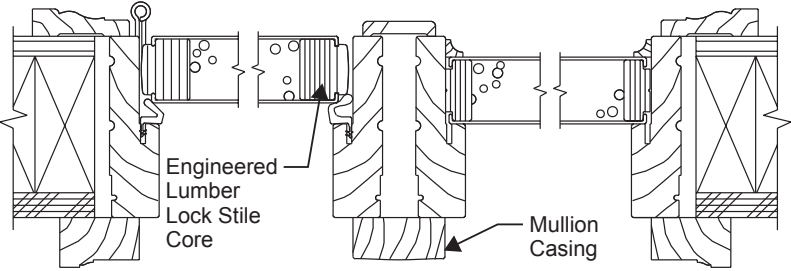
# Fiber-Classic Oak

## Door/Sidelite with Spread Mullion

Architectural  
Details

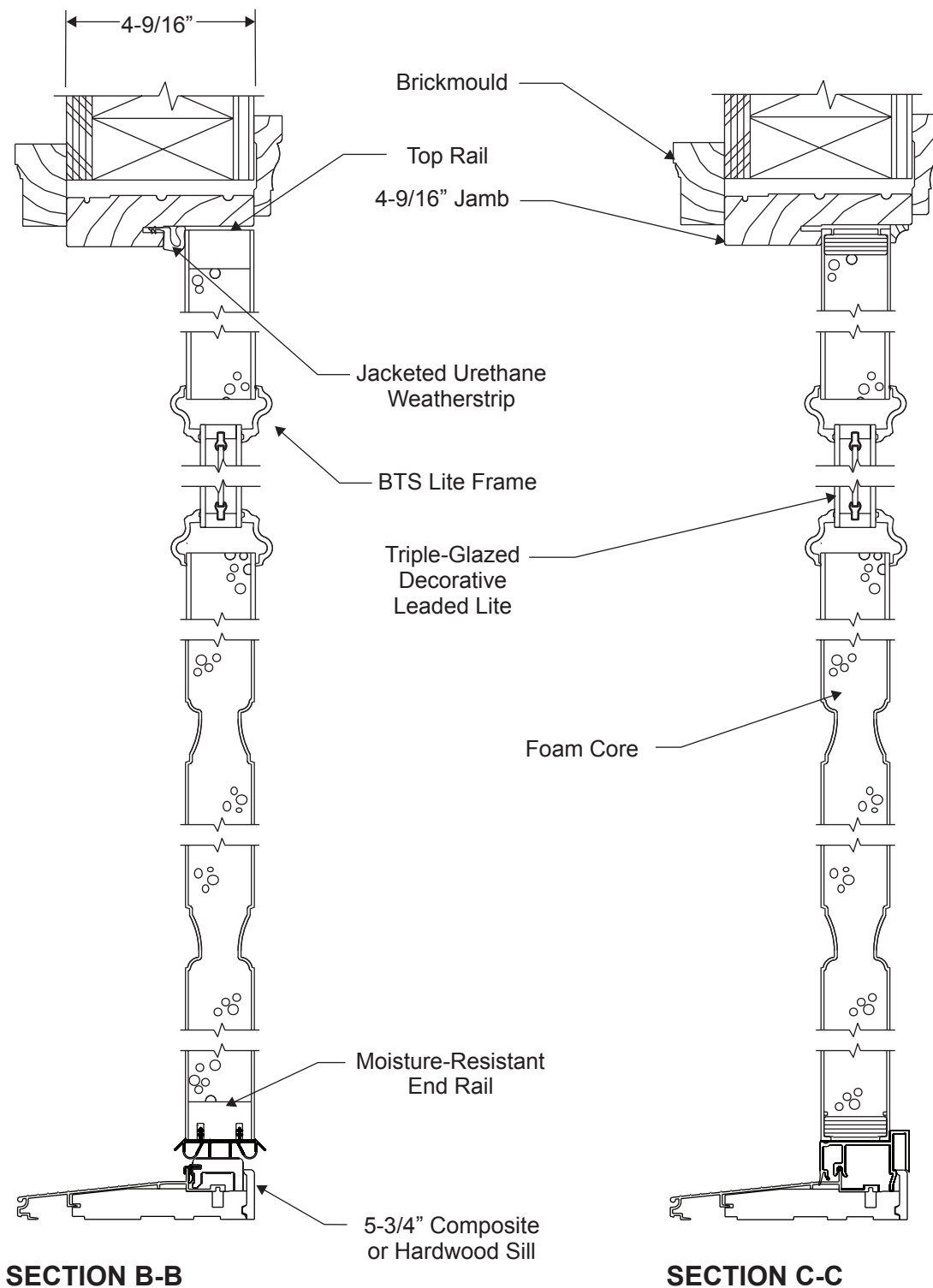


**SECTION A-A**  
Spread 0"



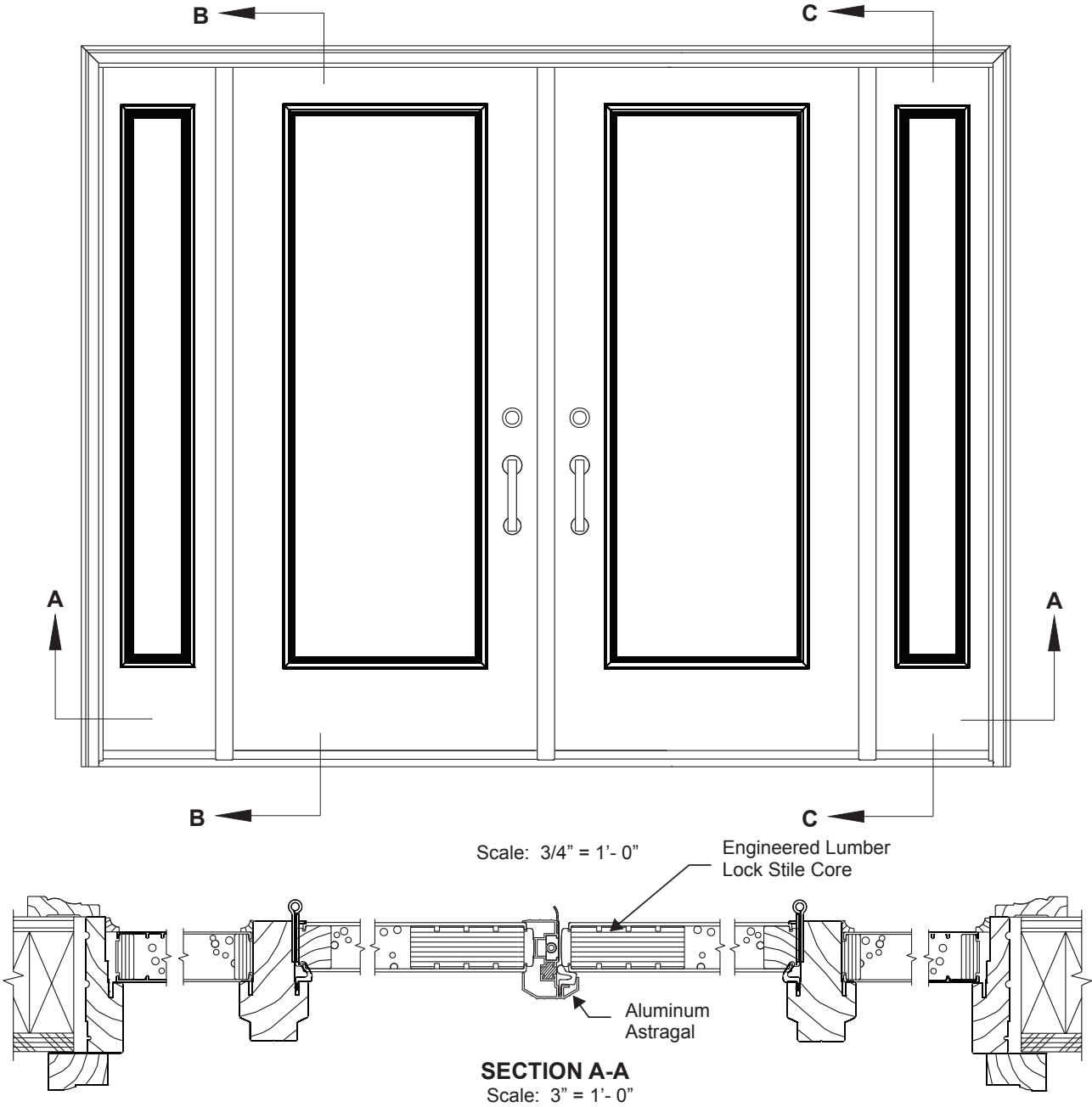
**SECTION A-A**  
Spread 3/4"

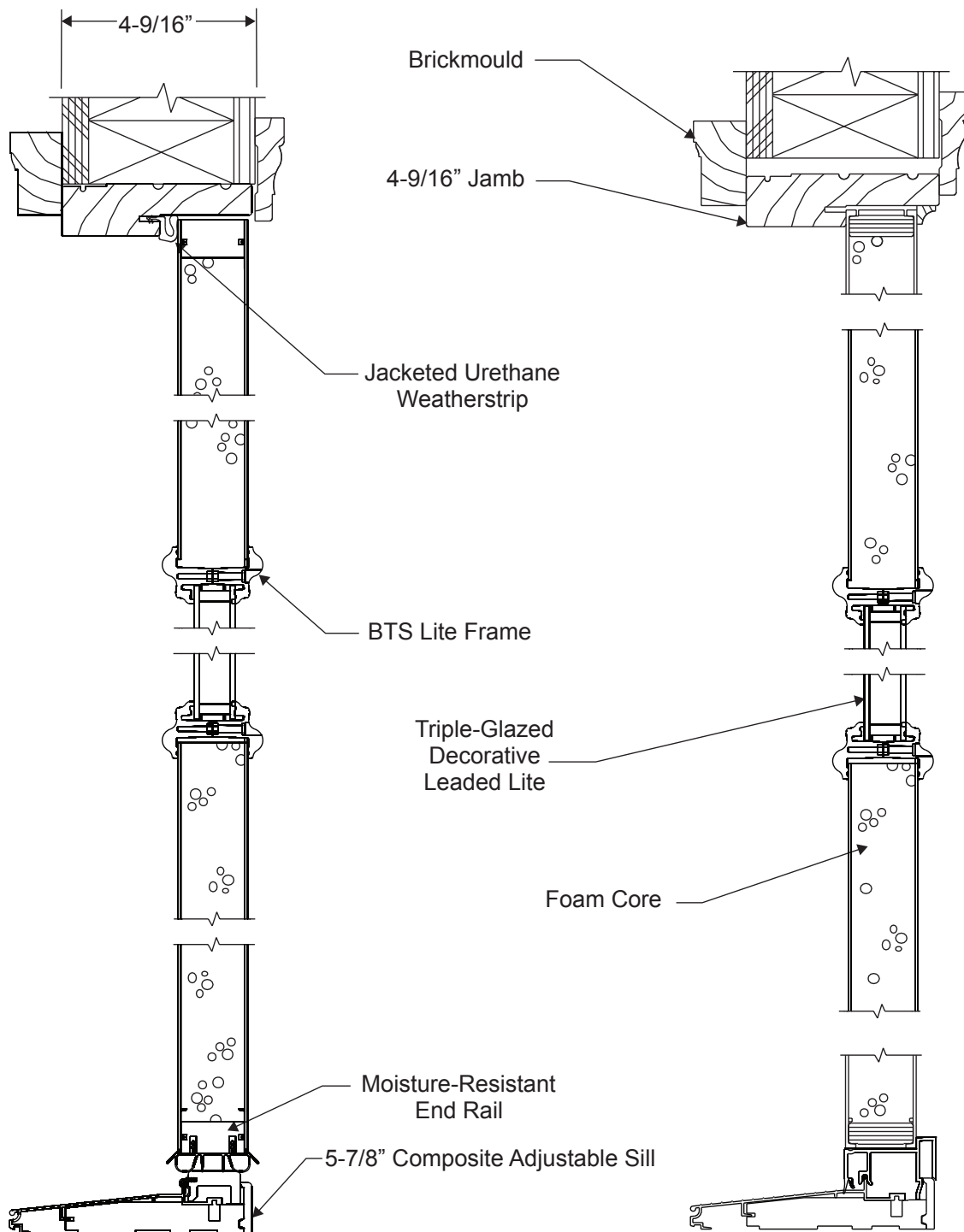




Architectural  
Details

French Continuous, Inswing



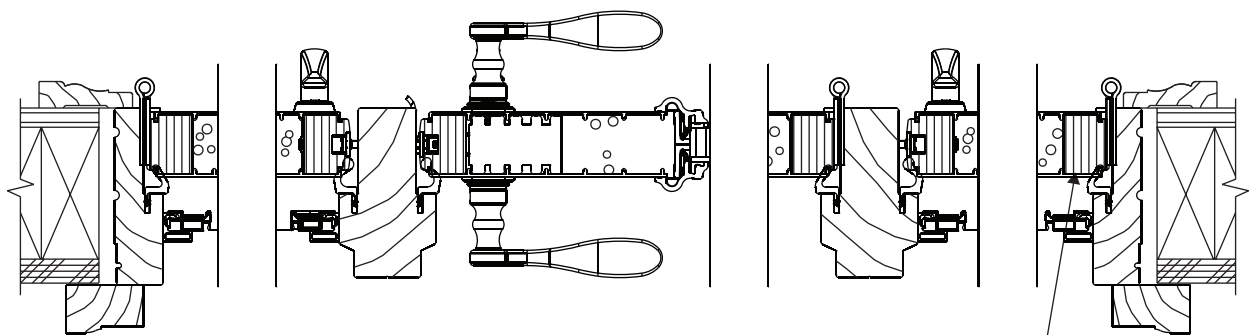
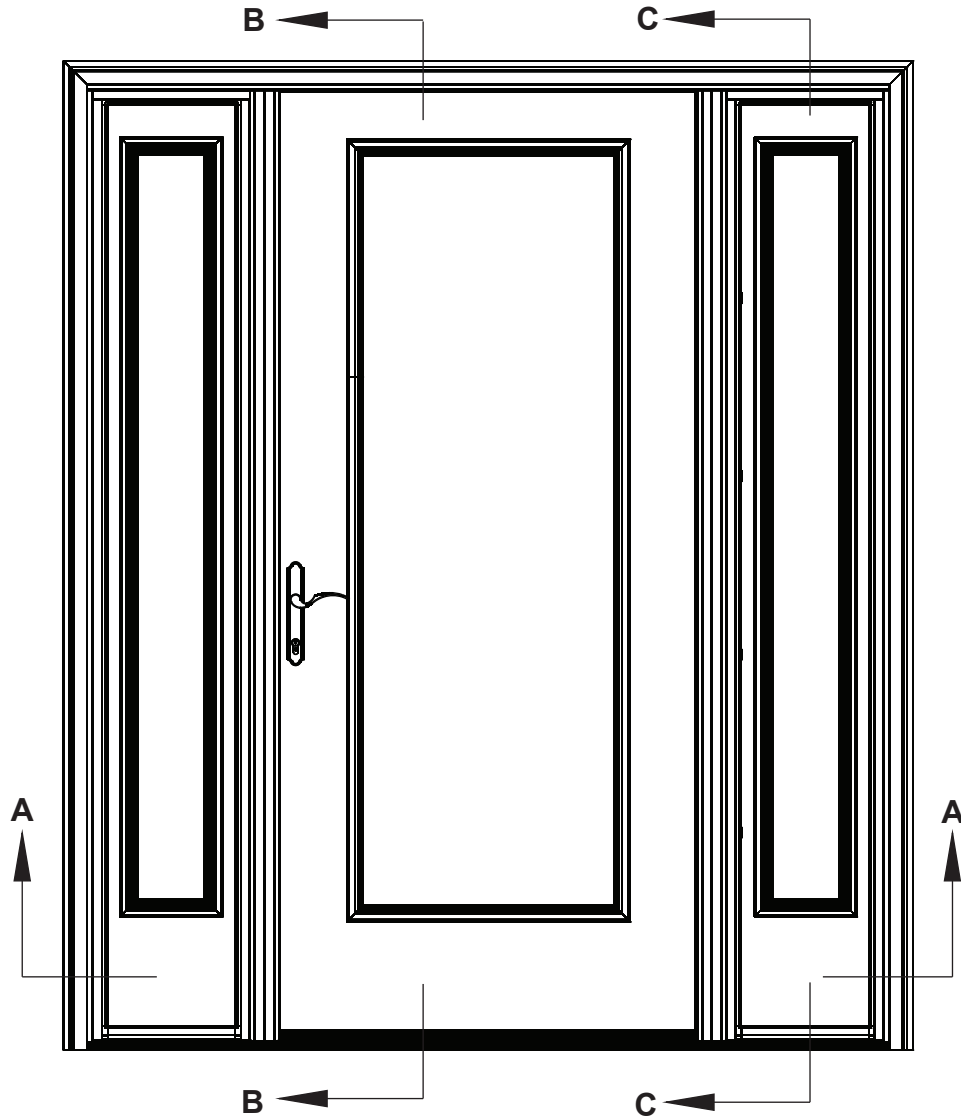


**SECTION B-B**  
Scale: 3" = 1'-0"

**SECTION C-C**  
Scale: 3" = 1'-0"

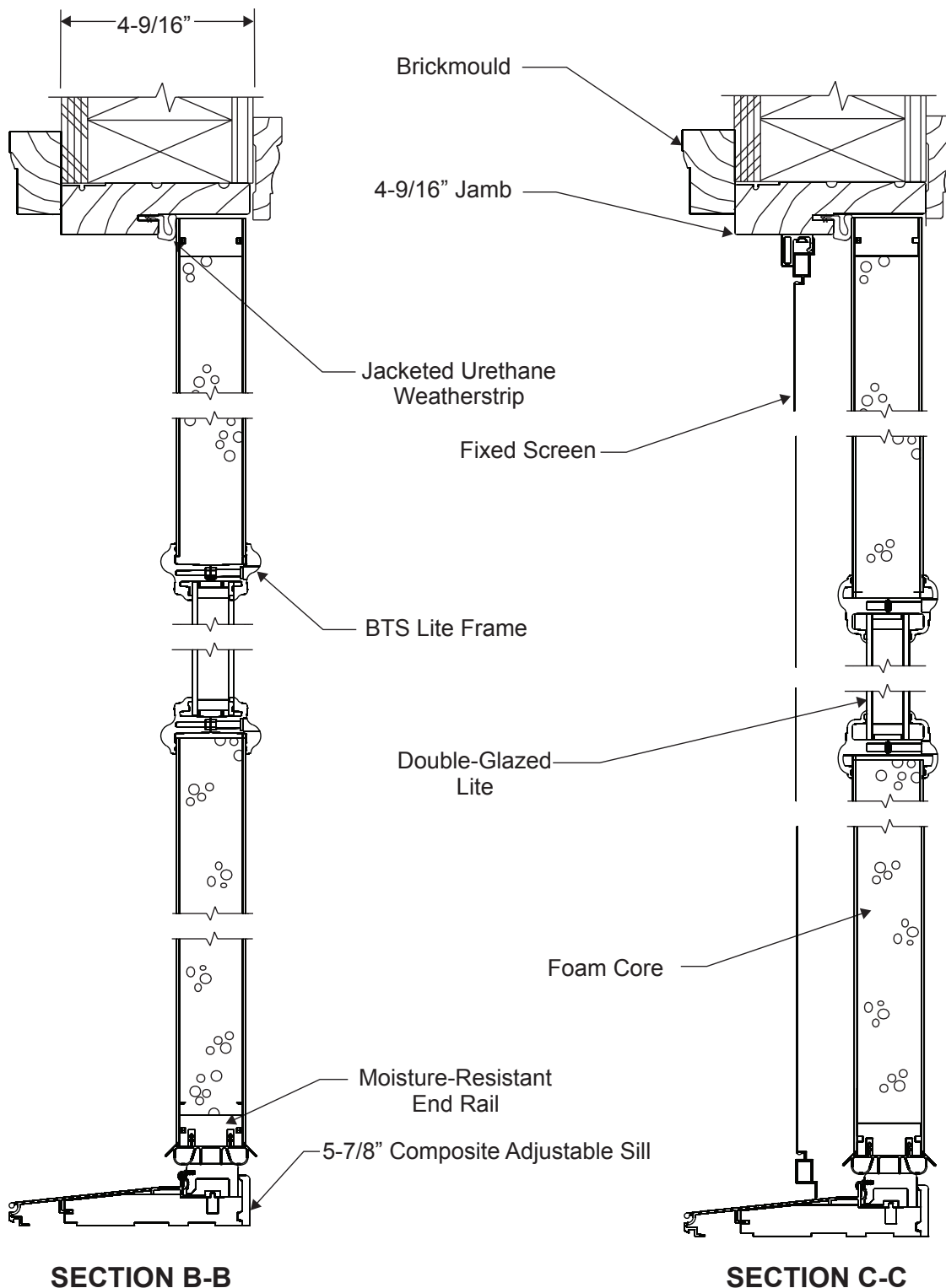
Architectural  
Details

### Door with Vented Sidelites, Continuous Frame, with Casing

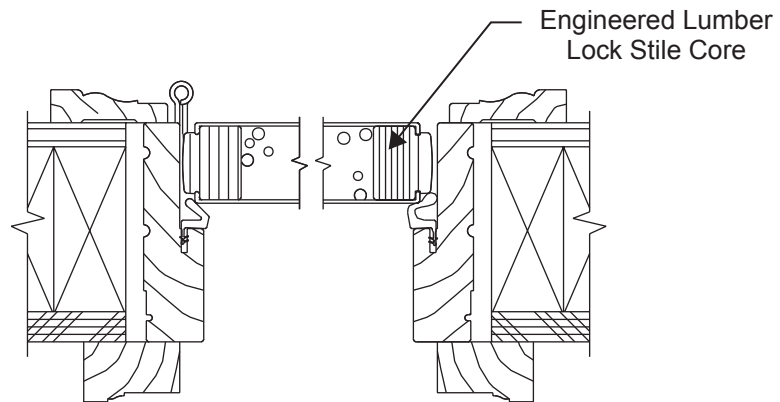
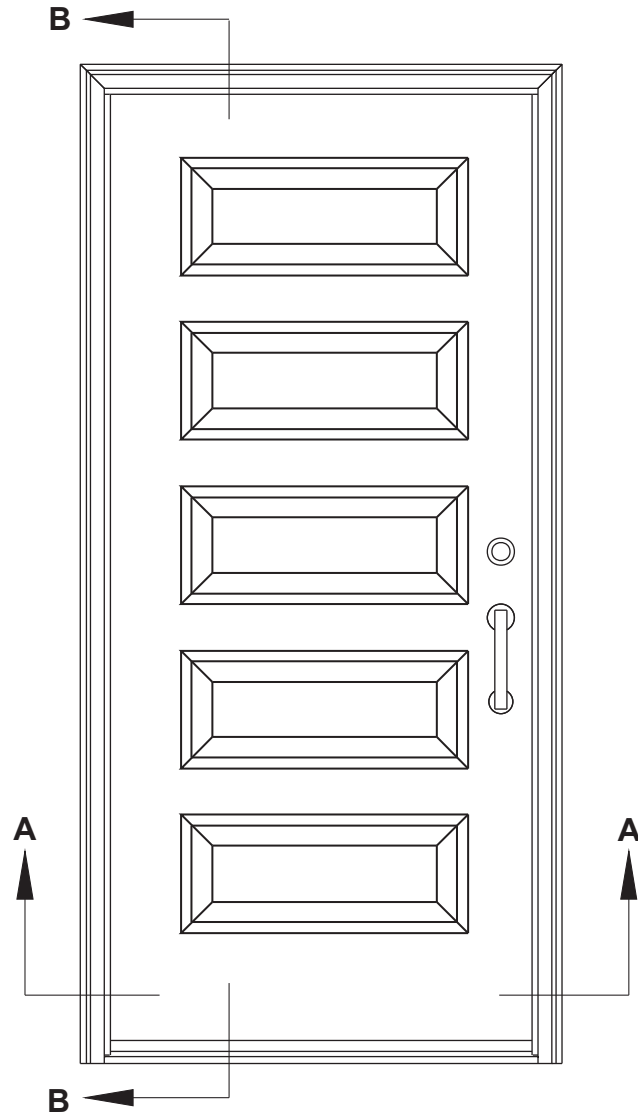


**SECTION A-A**

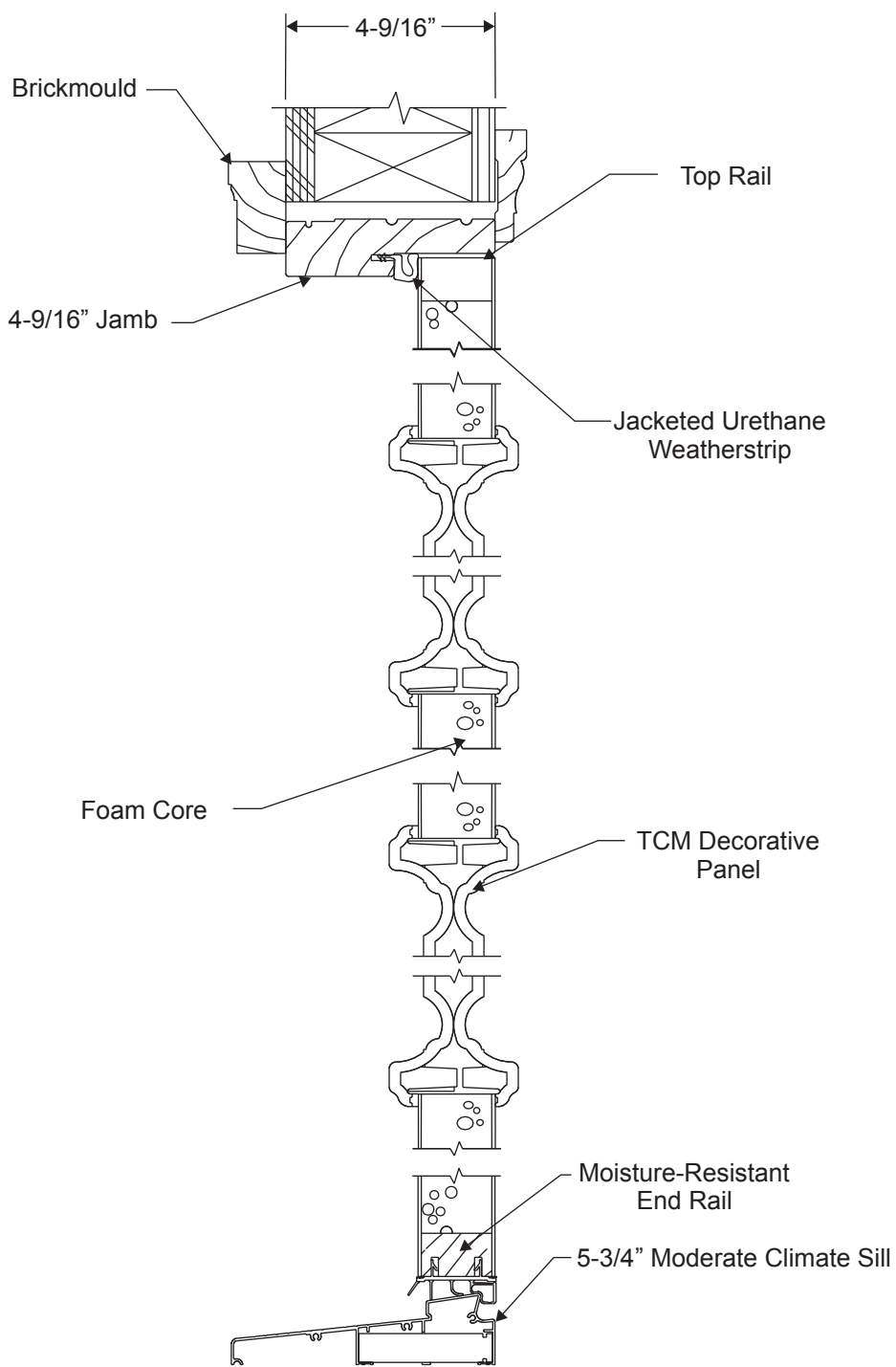
Engineered  
Lumber  
Lock Stile  
Core



## Single Door, Inswing



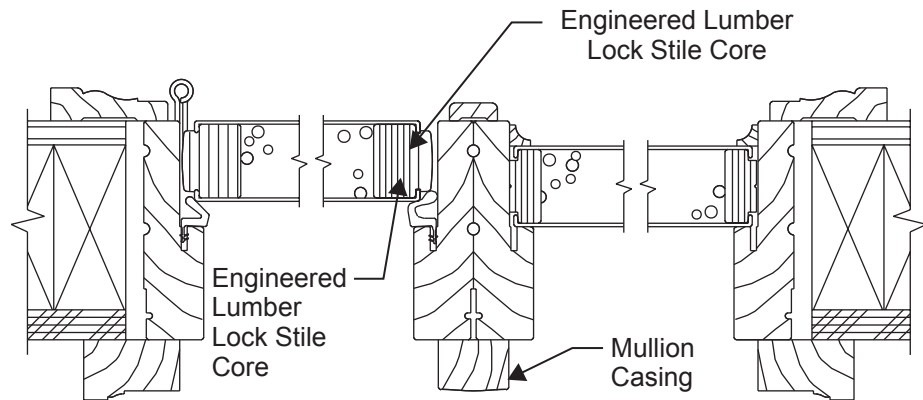
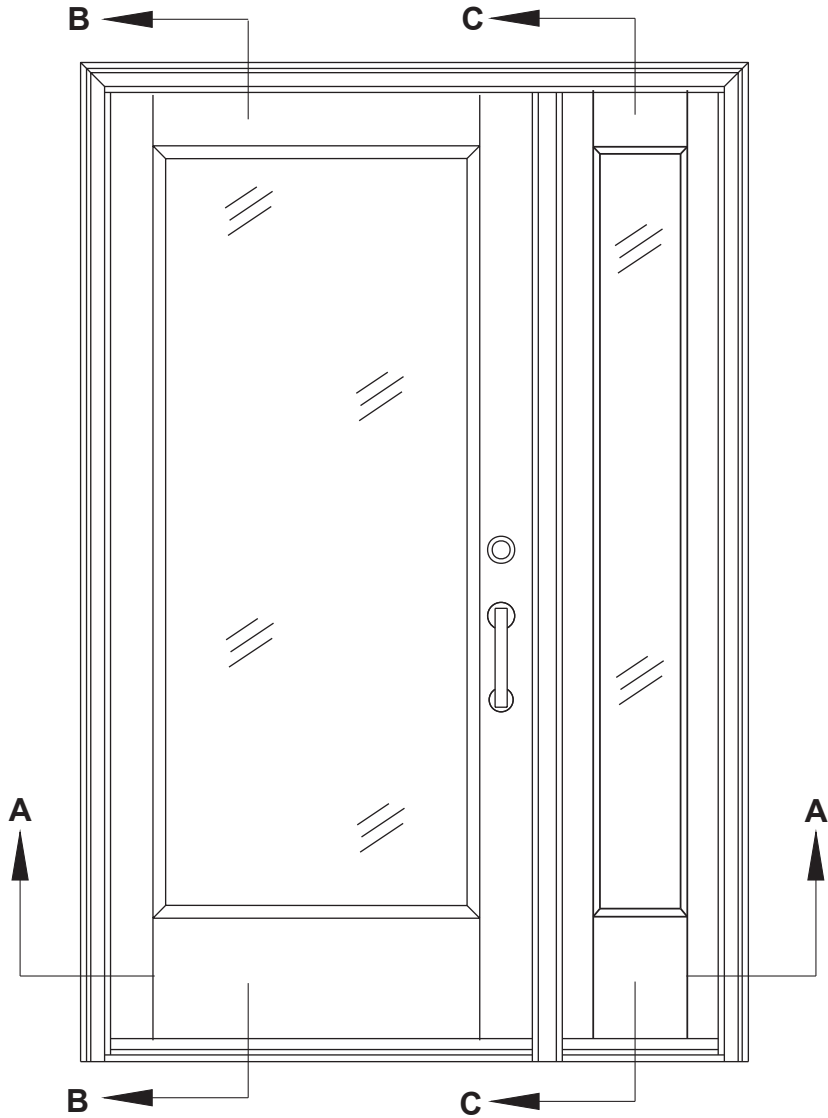
**SECTION A-A**



**SECTION B-B**

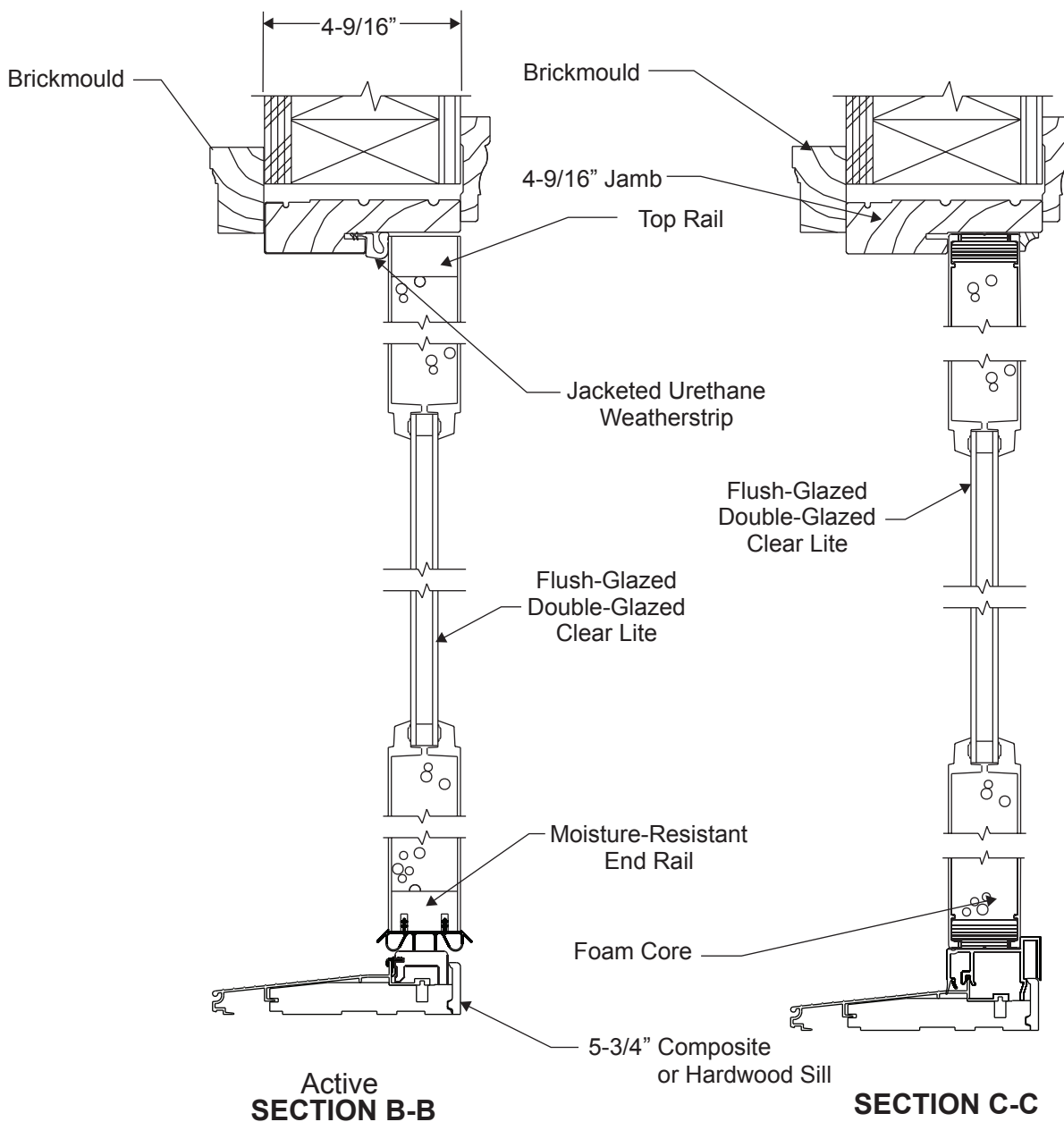
Architectural  
Details

### Door/Sidelite with Boxed Frames, Joined, with Casing

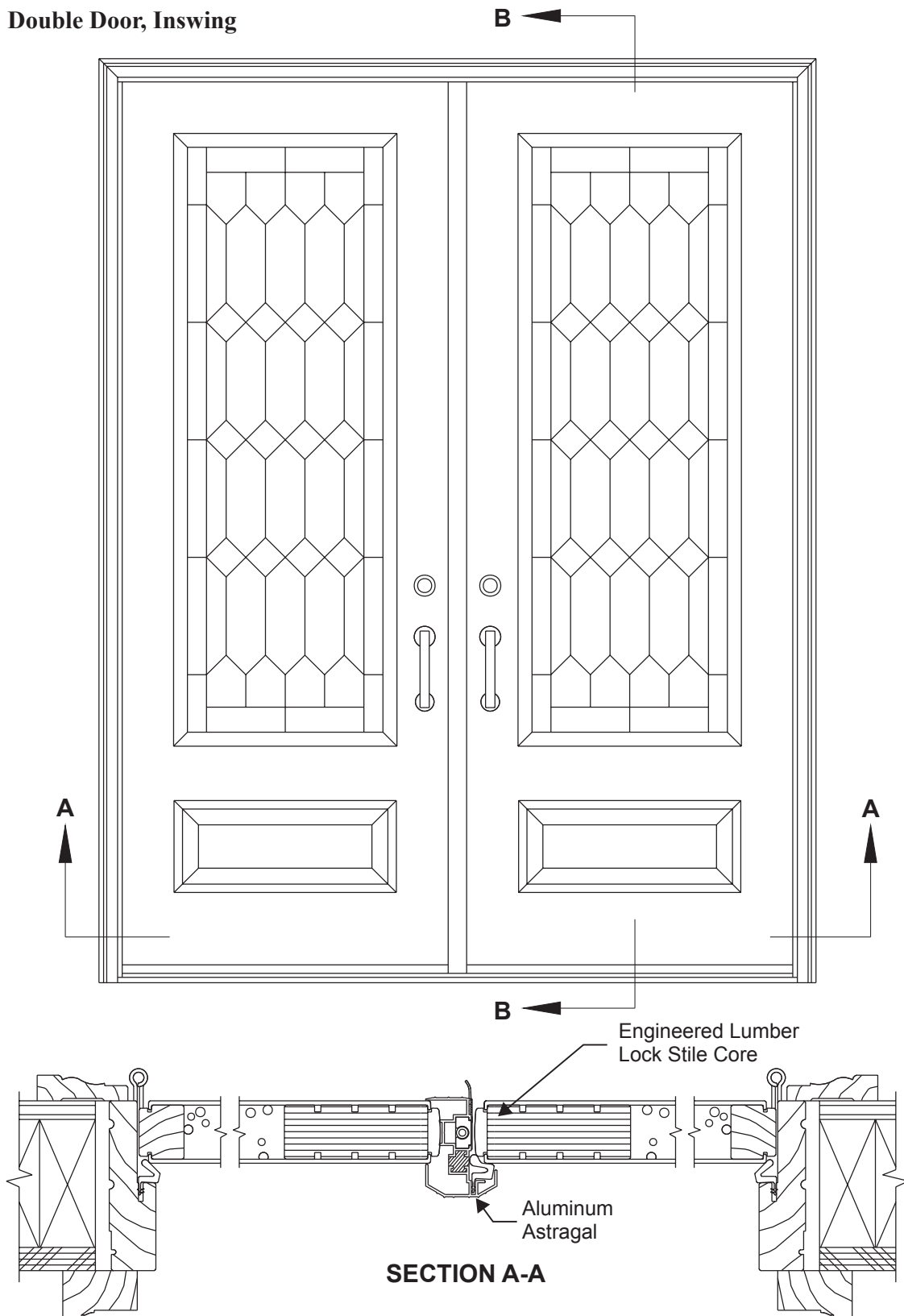


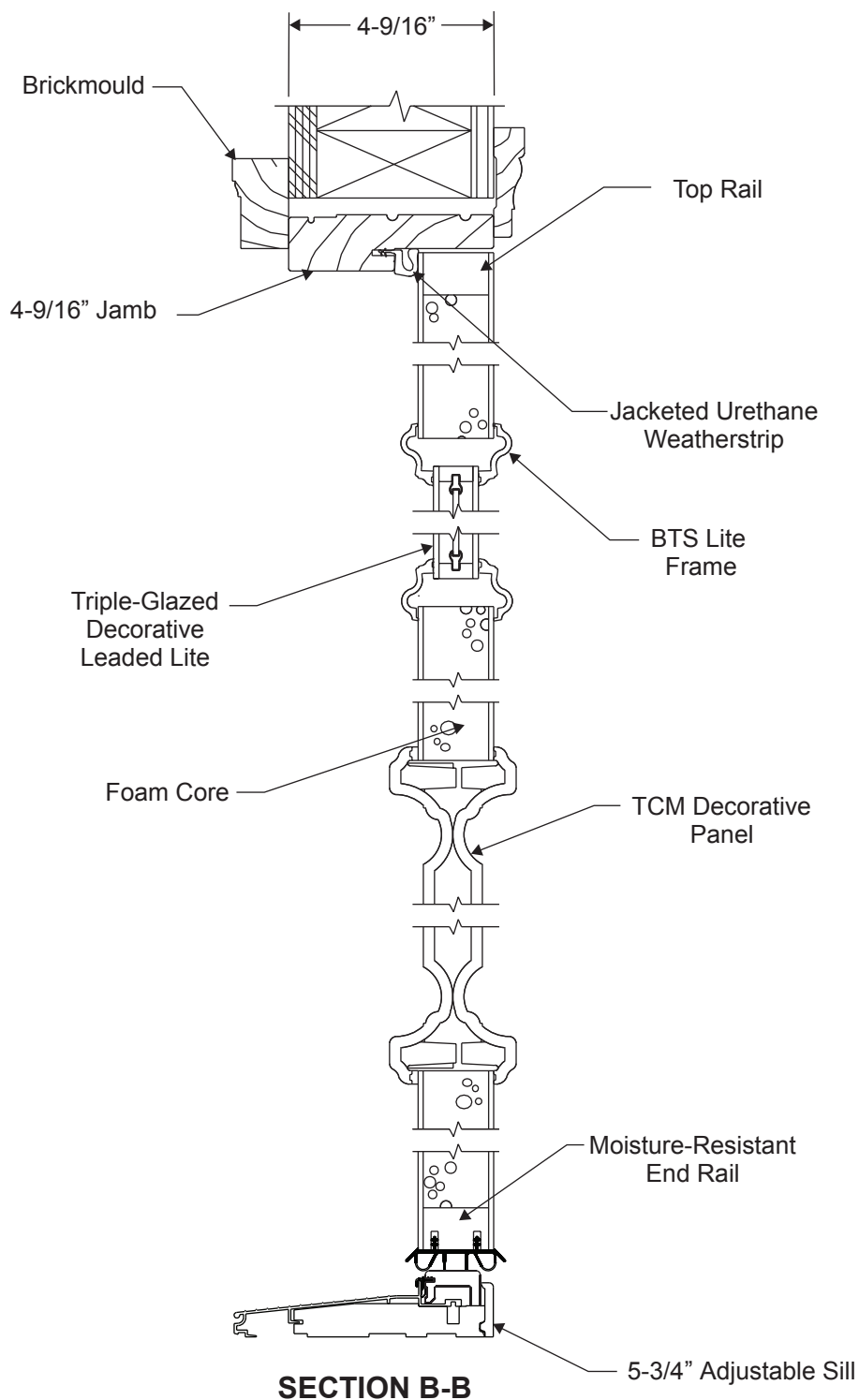
### SECTION A-A





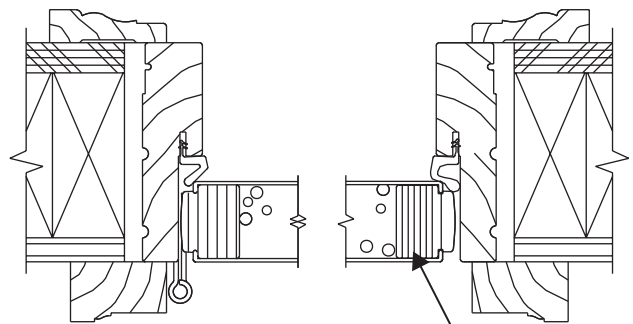
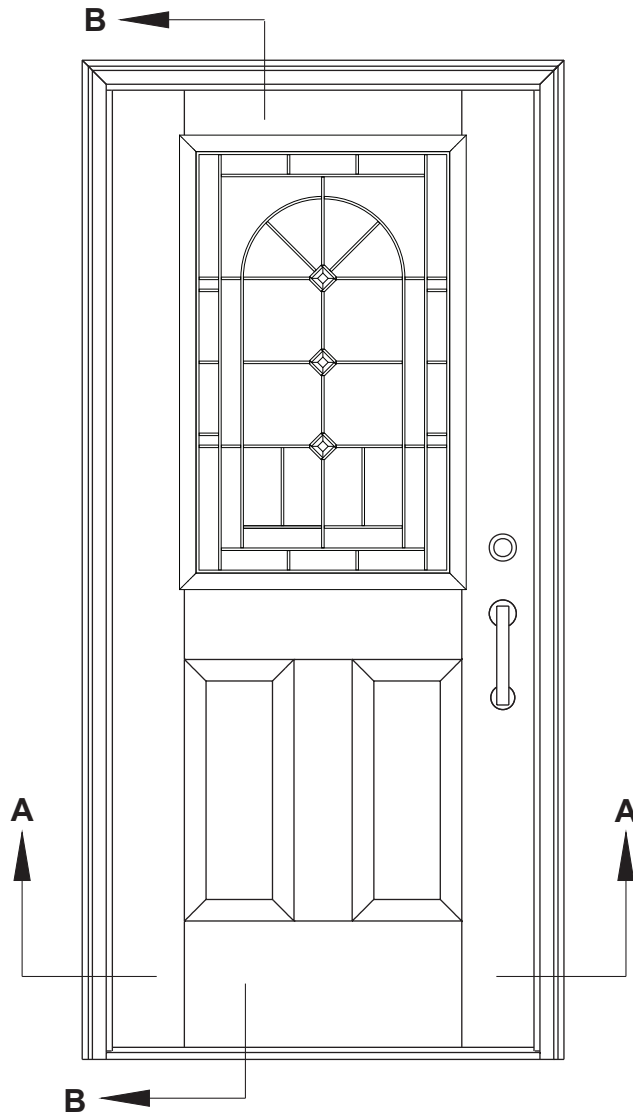
Double Door, Inswing



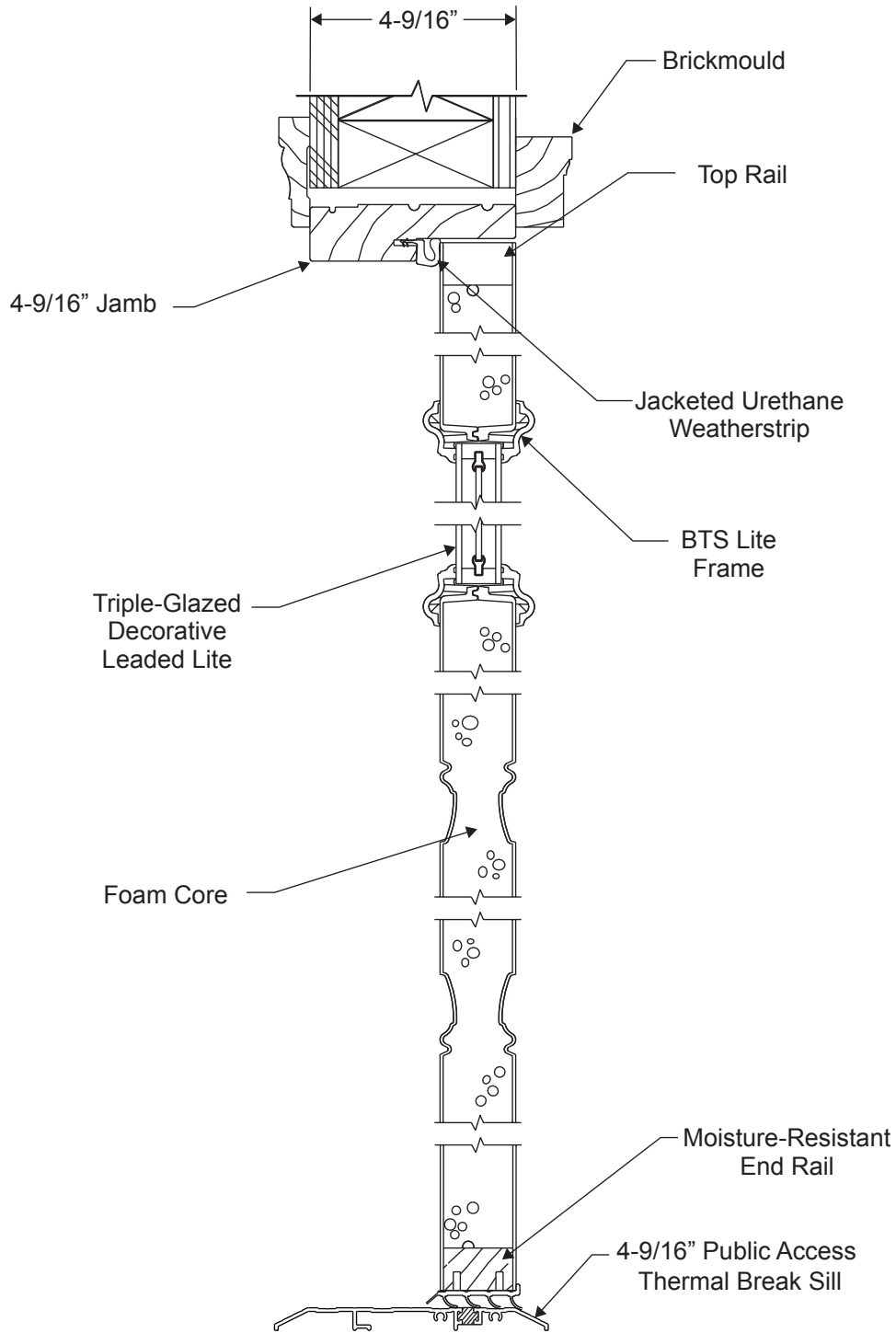


## Single Door, Outswing

Architectural  
Details

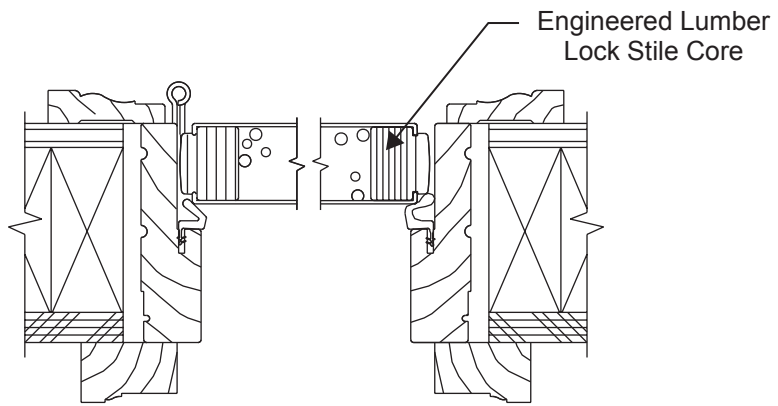
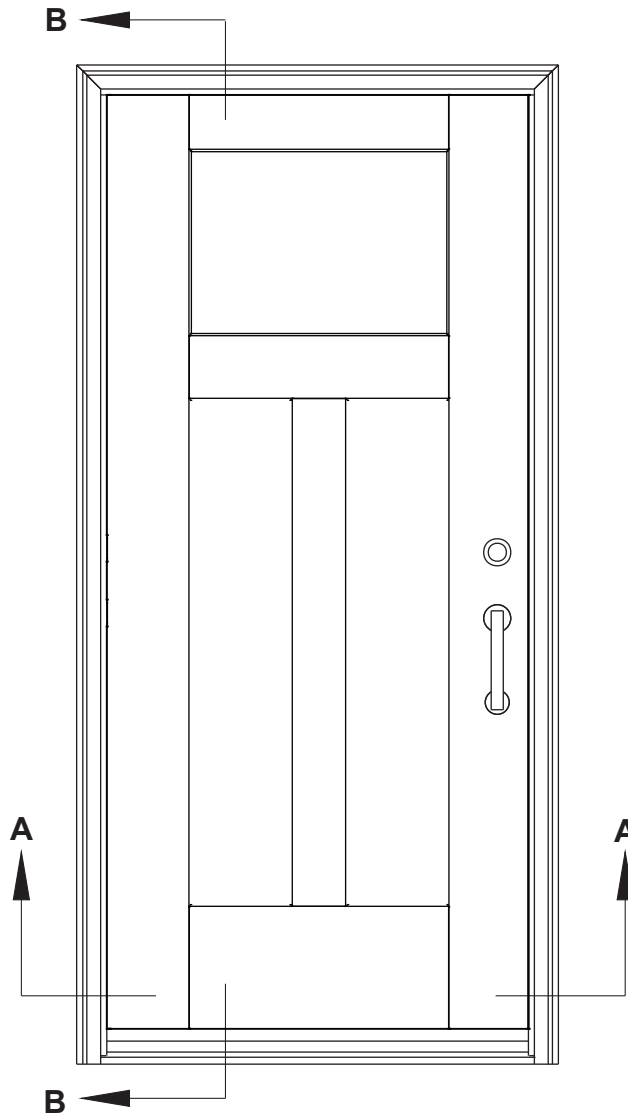


**SECTION A-A** — Engineered Lumber Lock Stile Core

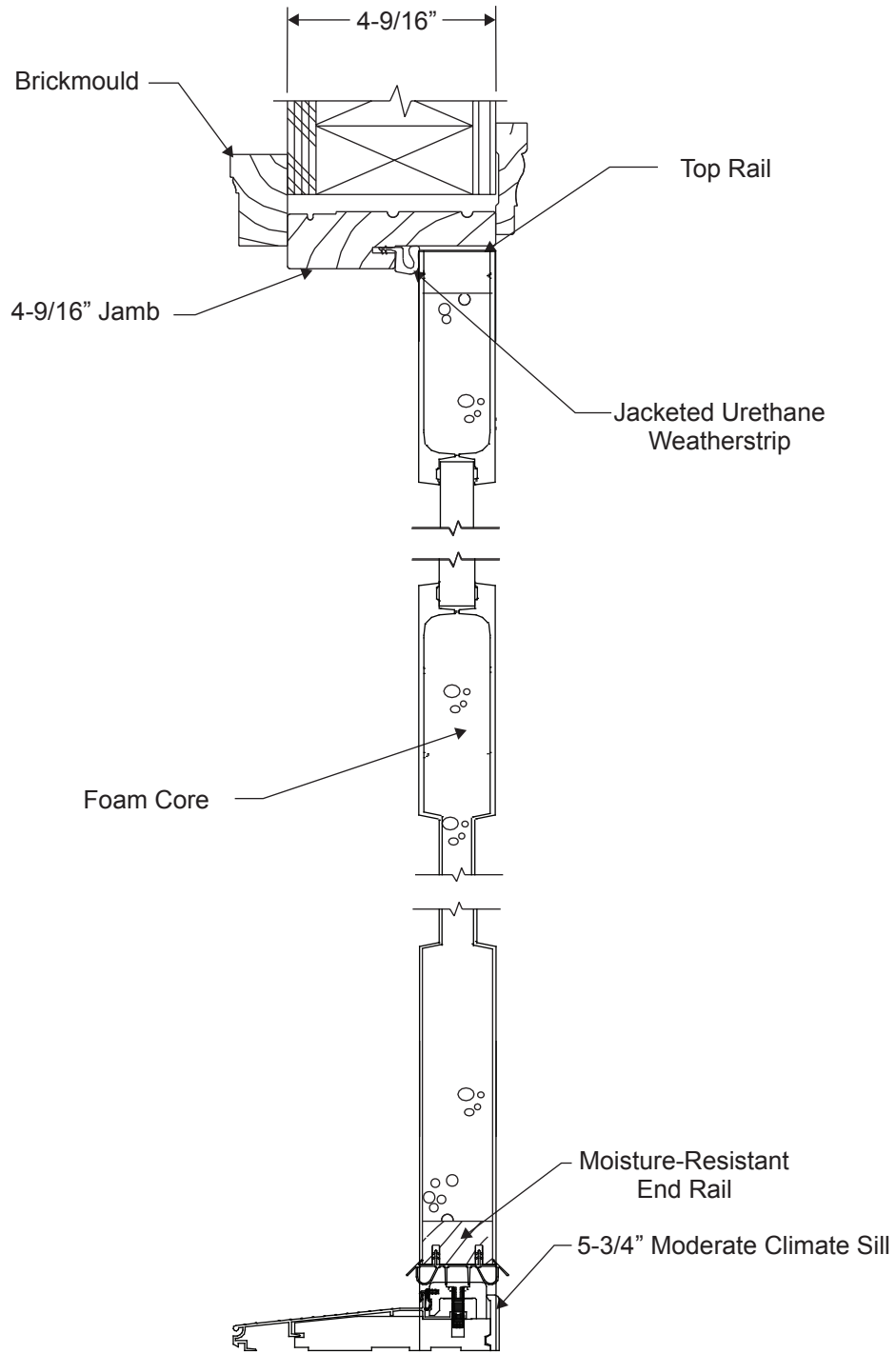


**SECTION B-B**

## Single Door, Inswing



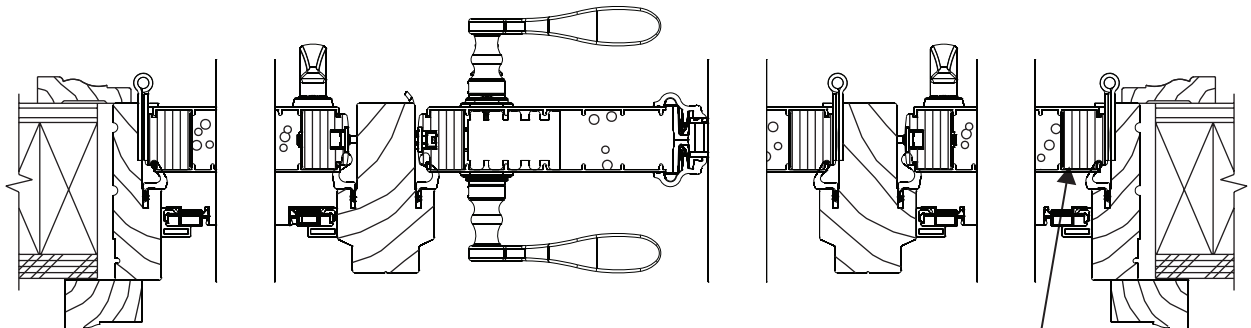
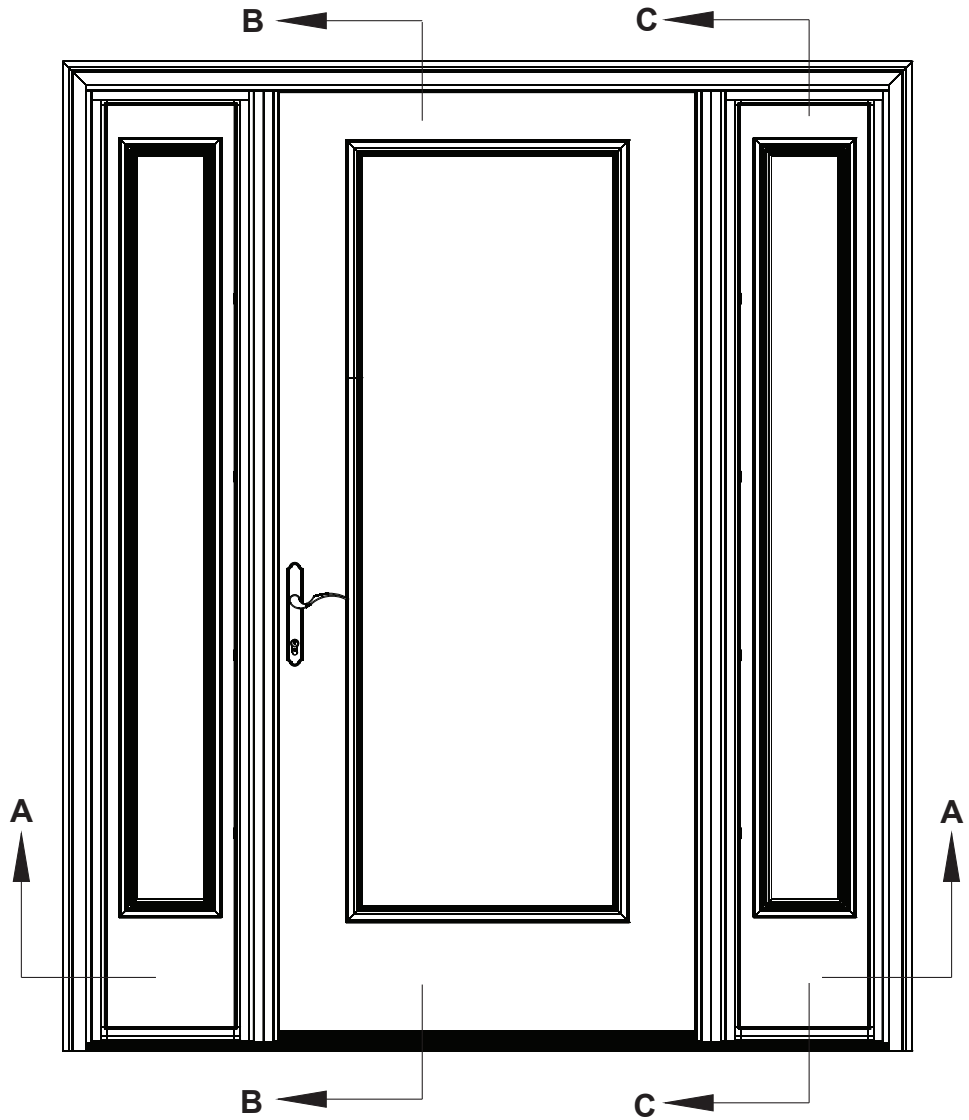
SECTION A-A



**SECTION B-B**

Architectural  
Details

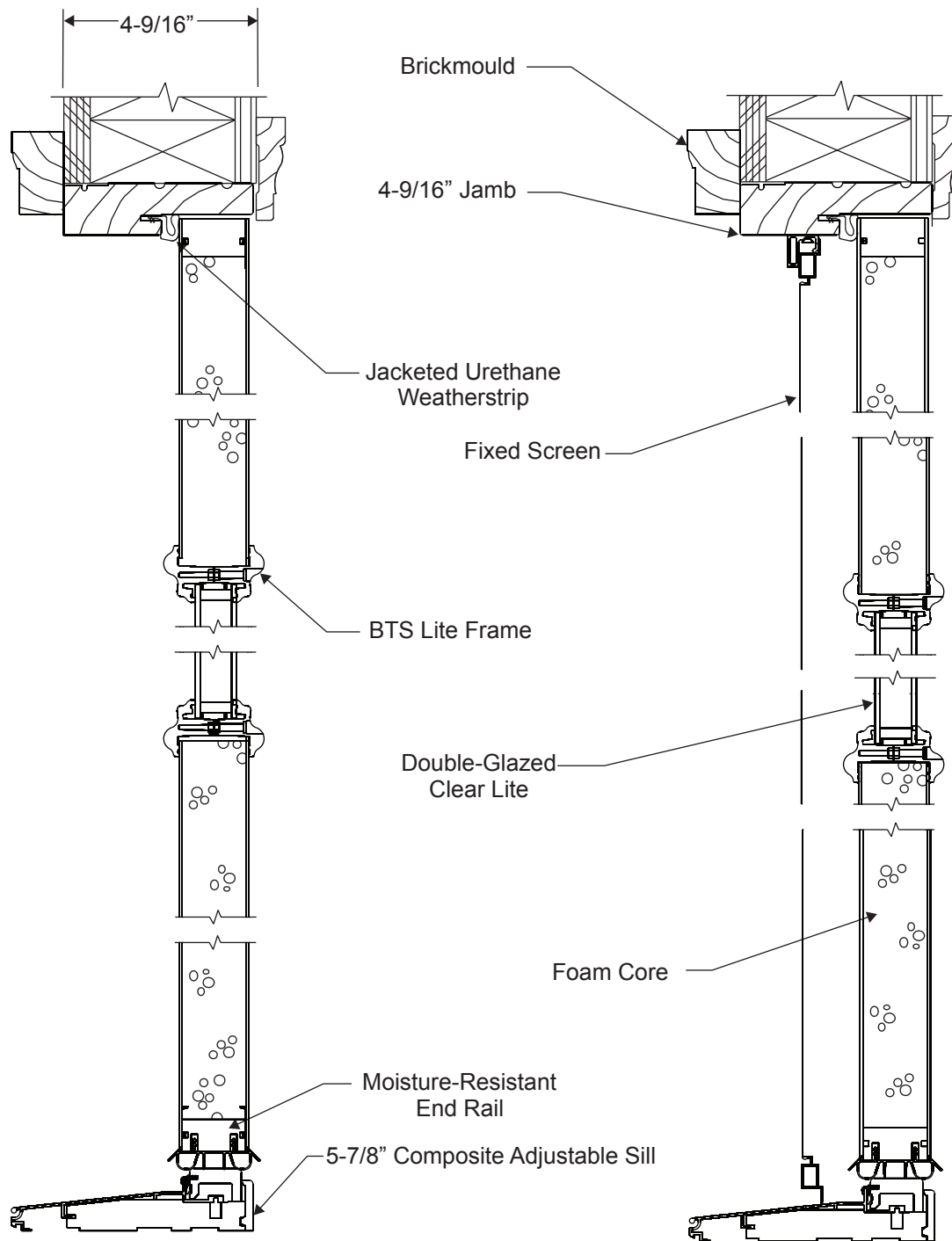
## Door with Vented Sidelites, Continuous Frame, with Casing



**SECTION A-A**

Engineered  
Lumber  
Lock Stile  
Core





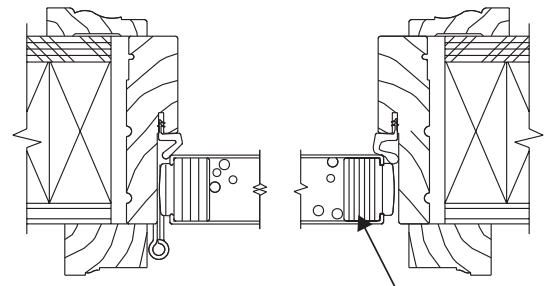
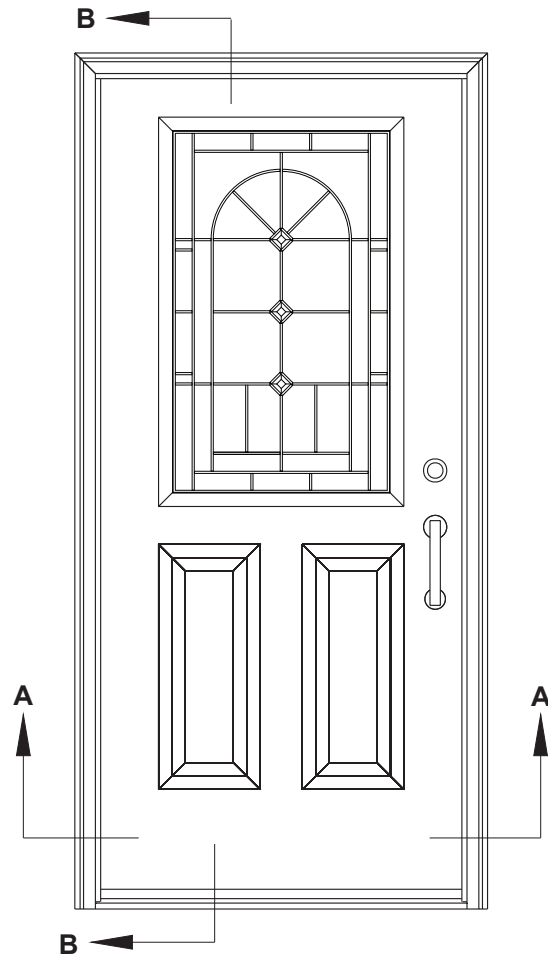
**SECTION B-B**

**SECTION C-C**

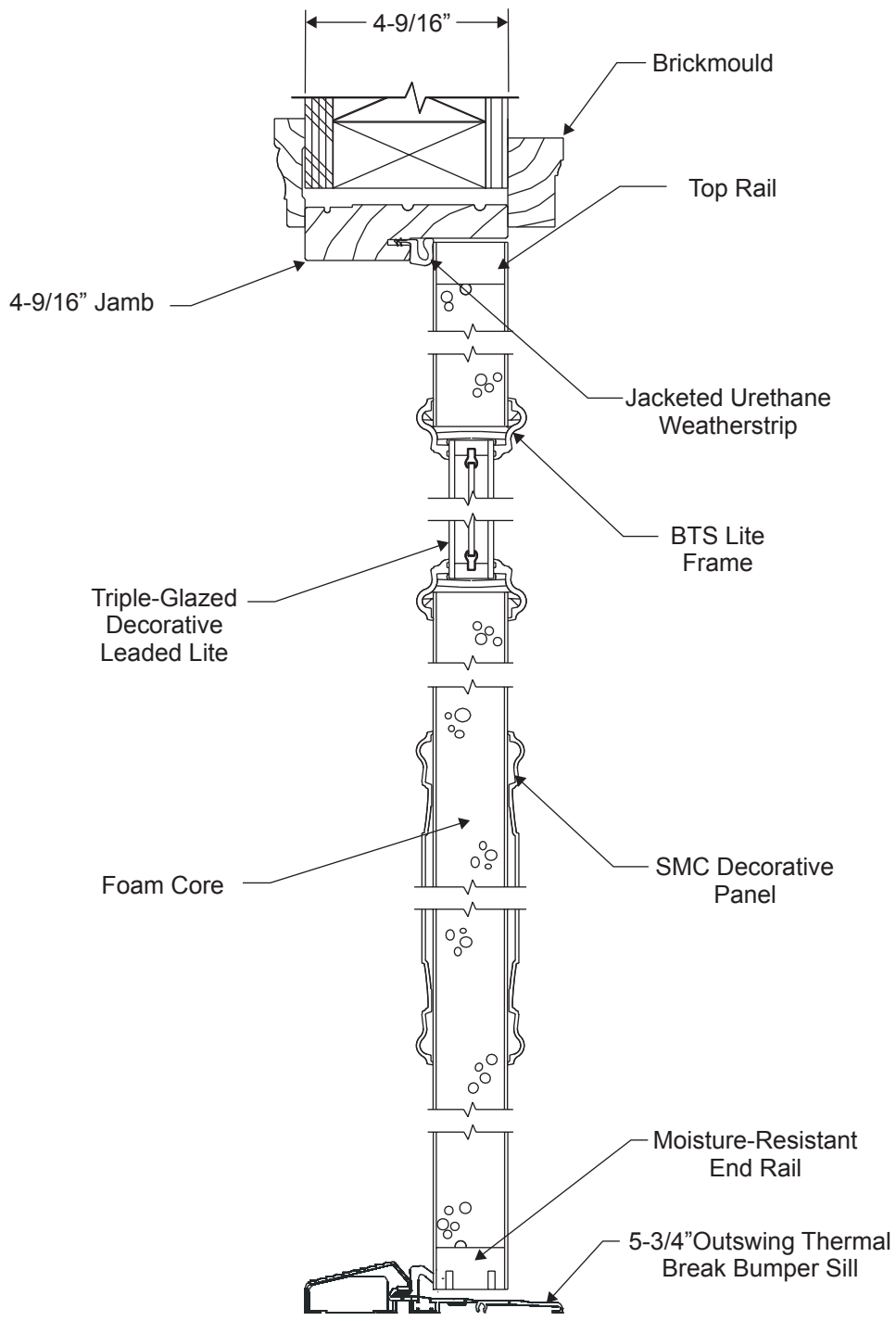
# Smooth-Star Raised Panel

Architectural  
Details

Single Door, Outswing



**SECTION A-A** — Engineered Lumber Lock Stile Core

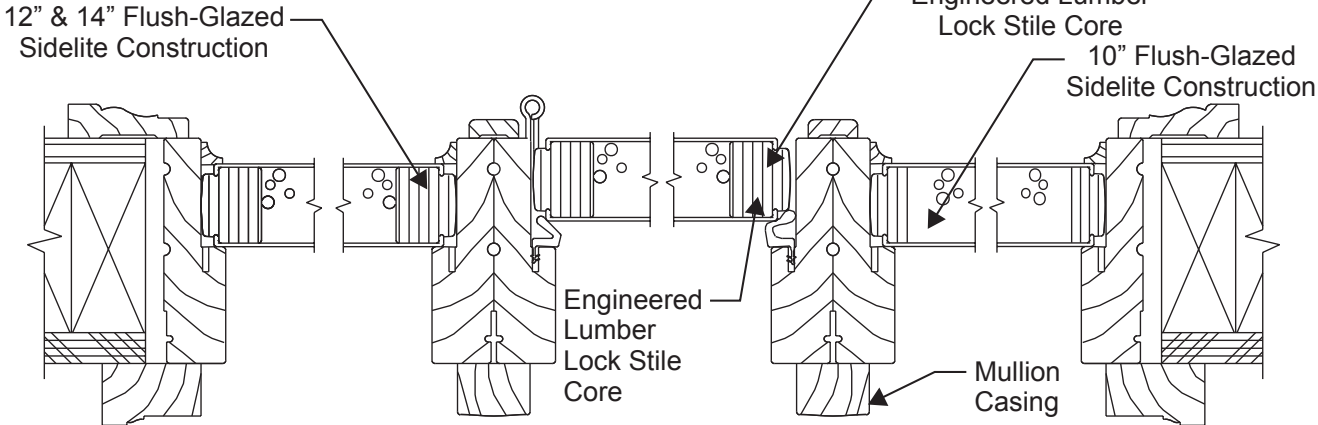
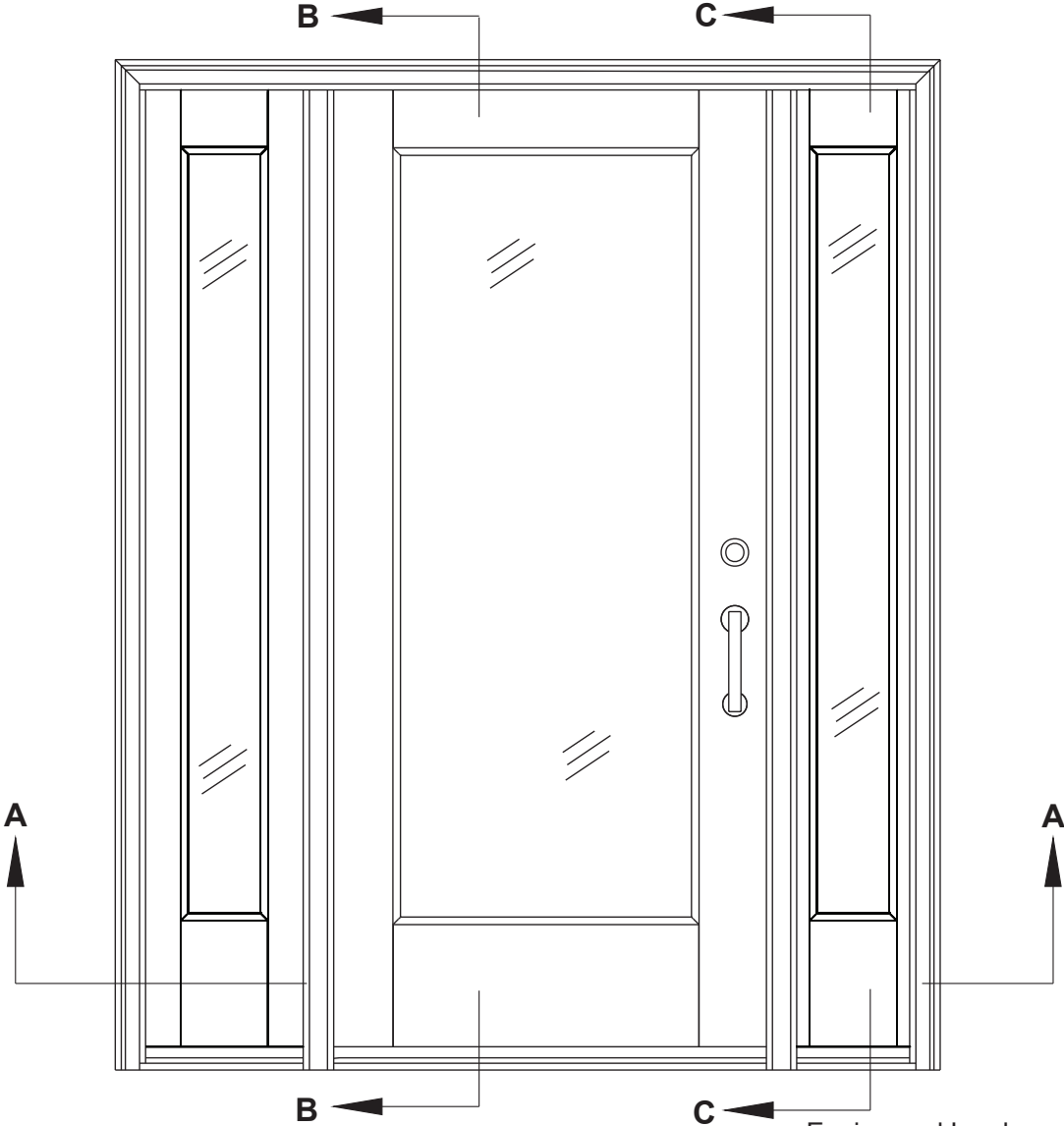


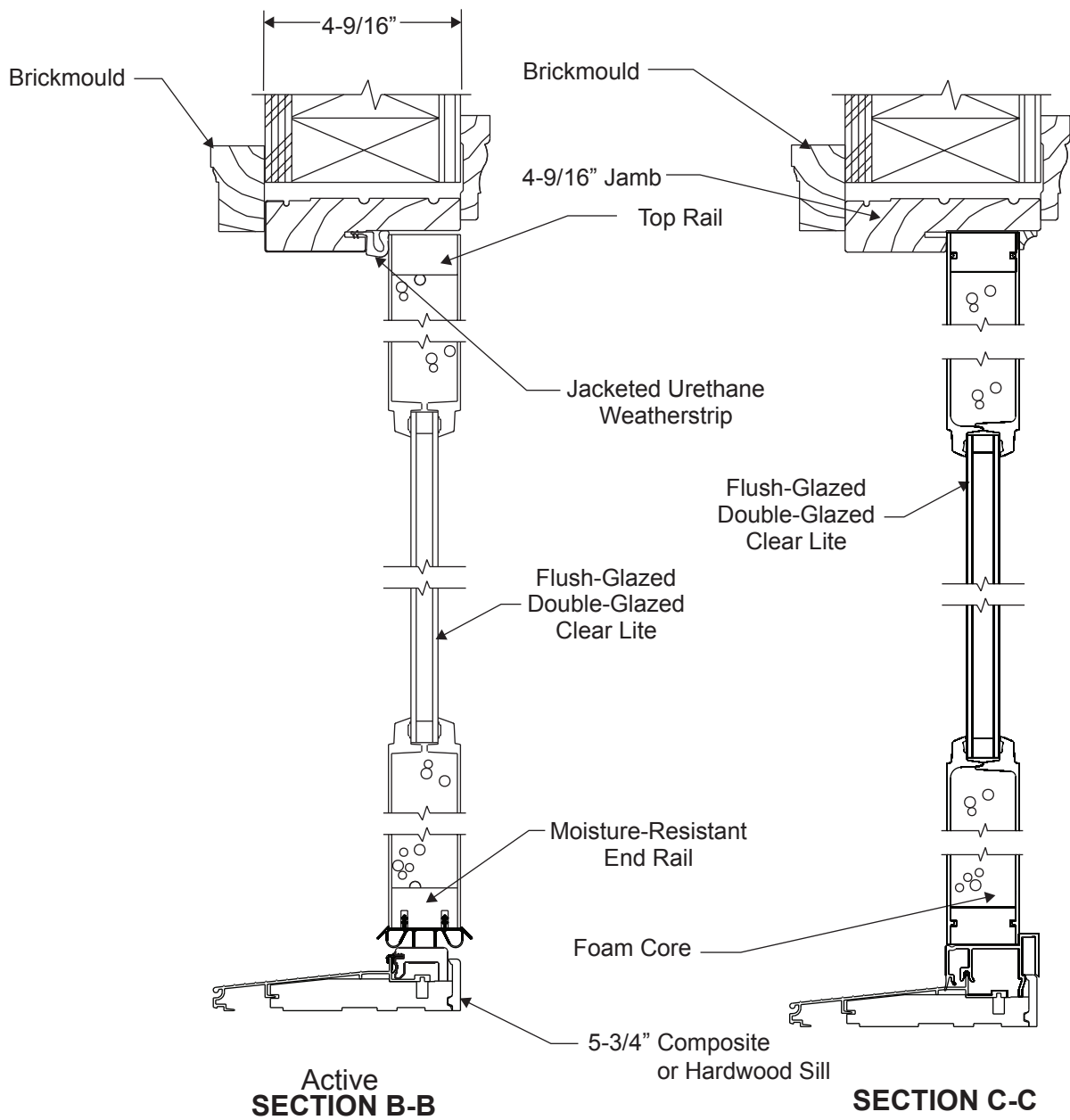
**SECTION B-B**

# Smooth-Star Flush-Glazed Door

Architectural  
Details

Door with Sidelites, Boxed Frames and Joined with Casings

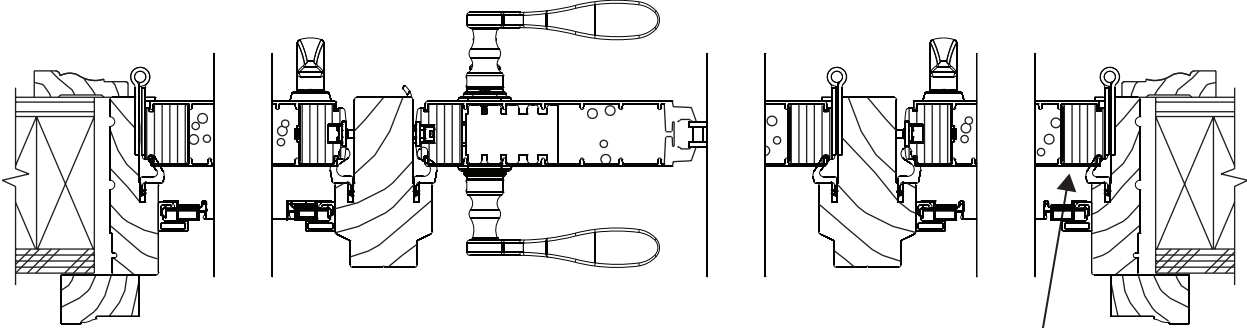
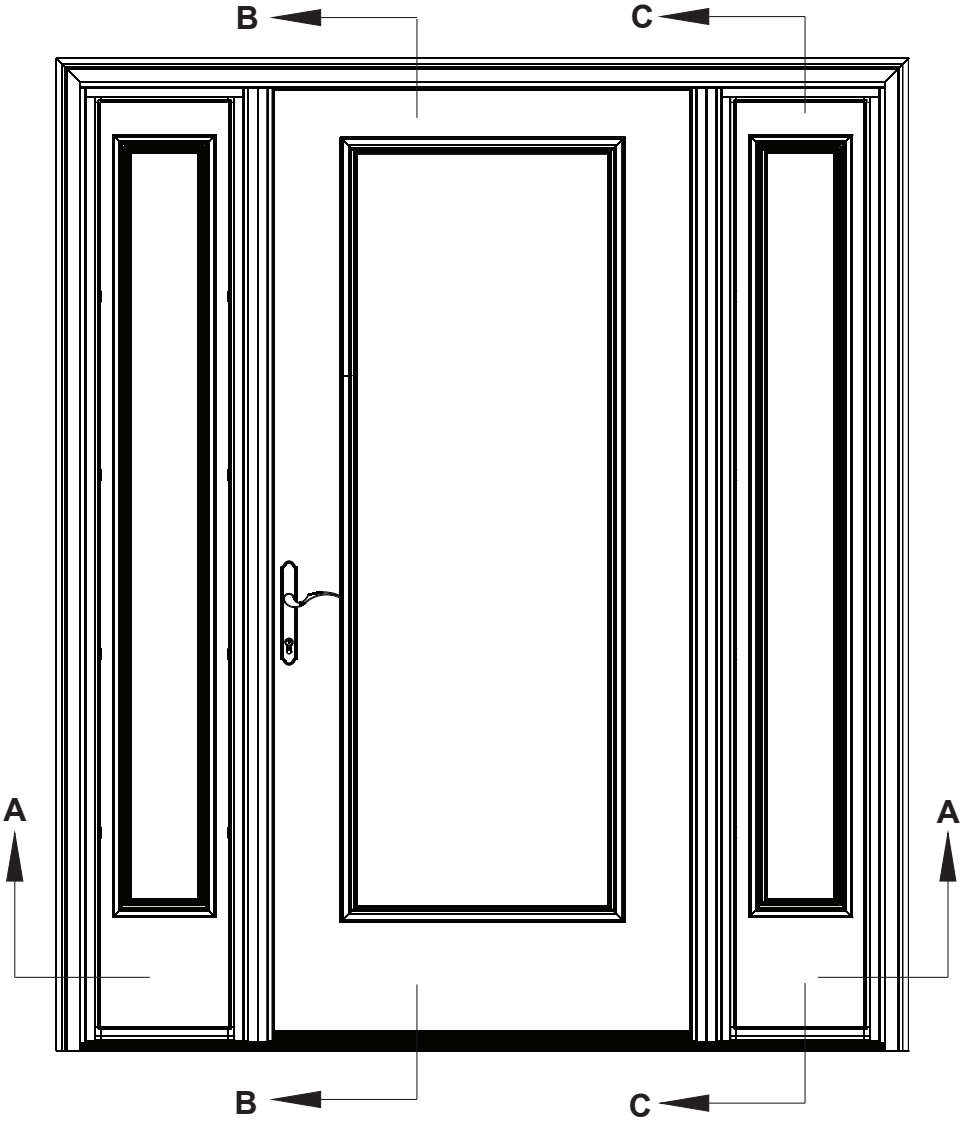




# Smooth-Star Flush-Glazed Door

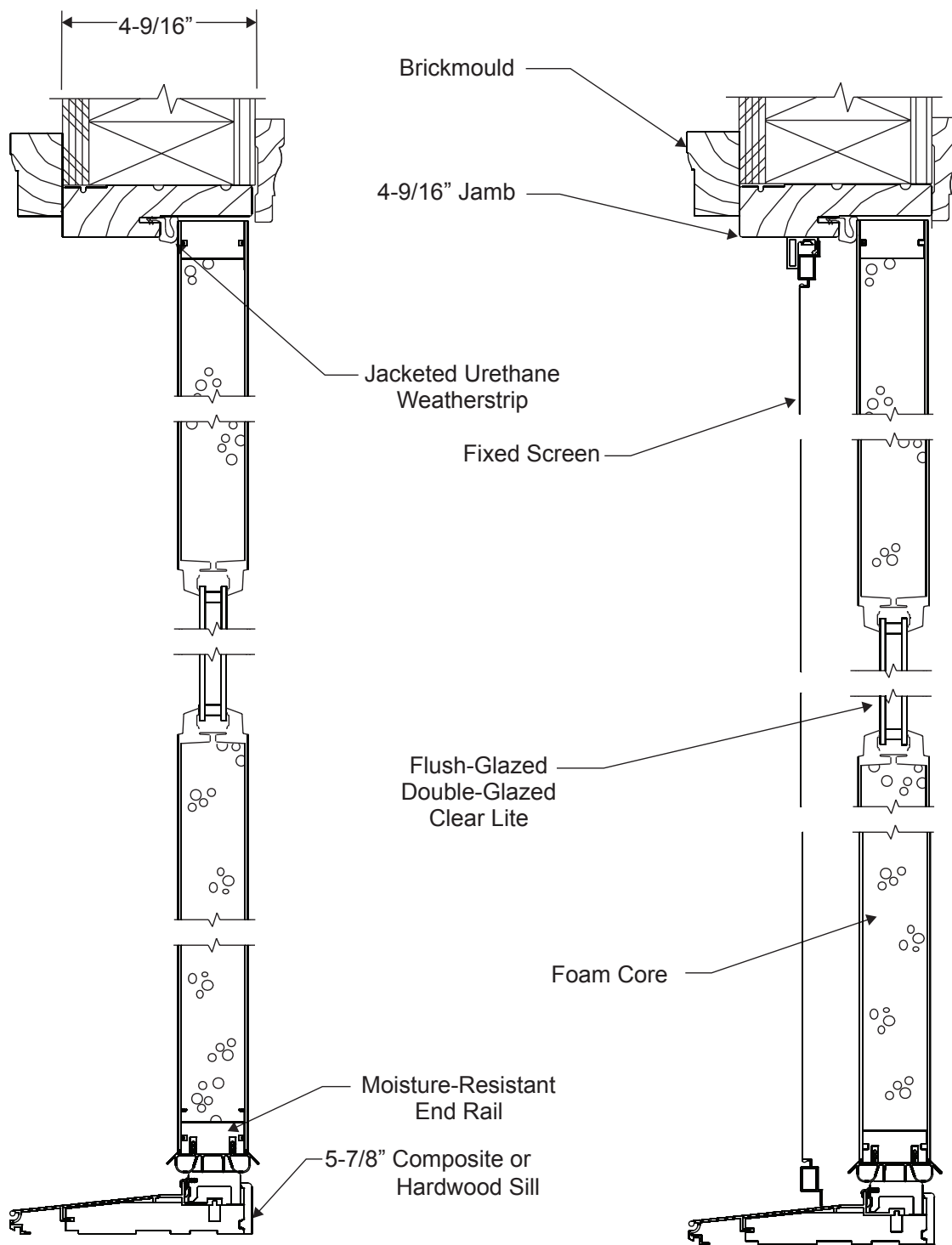
Architectural  
Details

Door with Vented Sidelites, Continuous Frame, with Casing



**SECTION A-A**

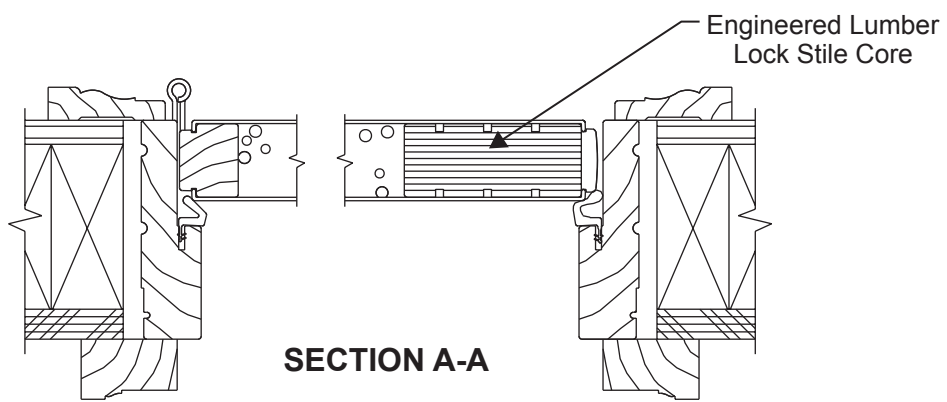
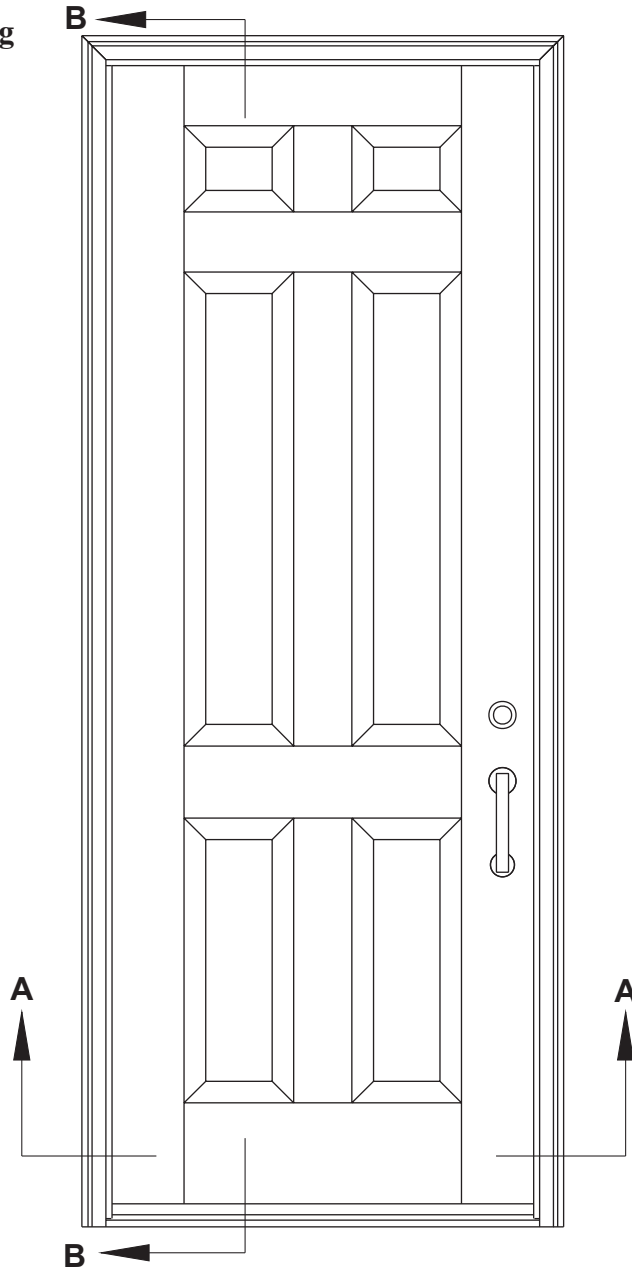
Engineered  
Lumber  
Lock Stile  
Core



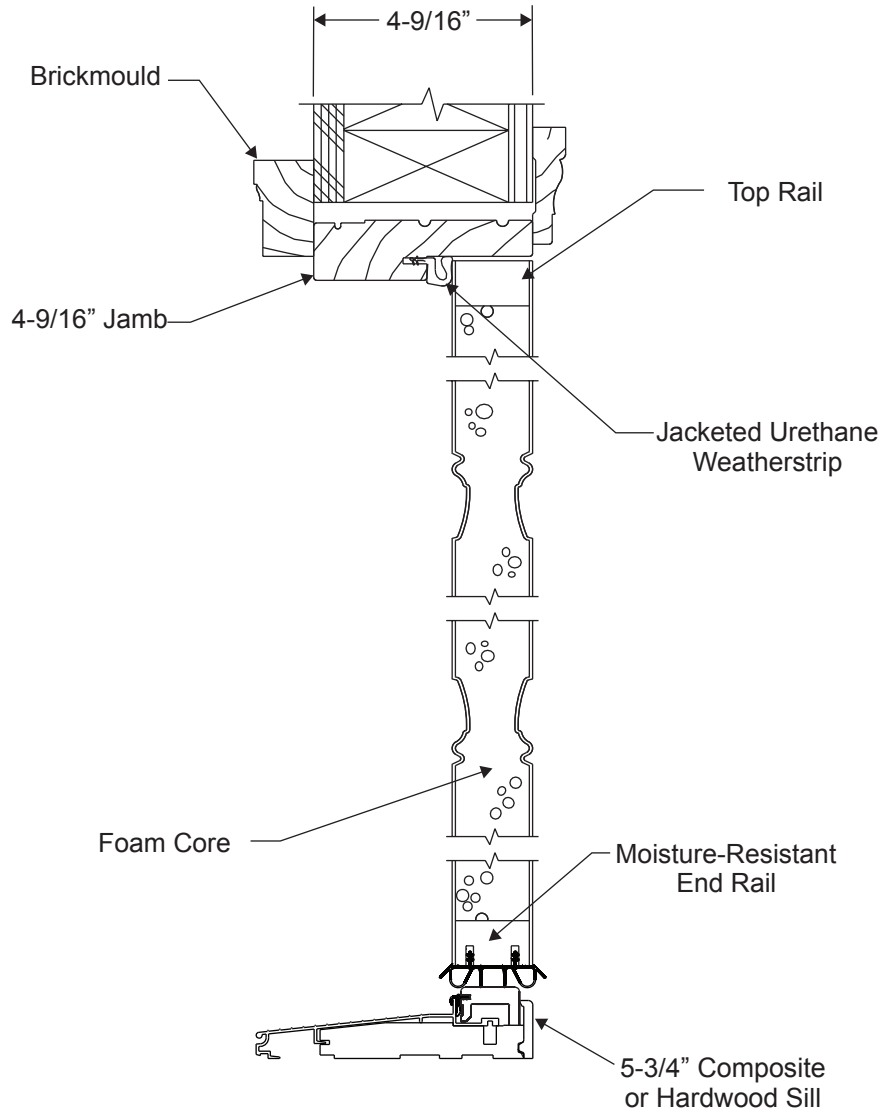
**SECTION B-B**

**SECTION C-C**

Single Door, Inswing





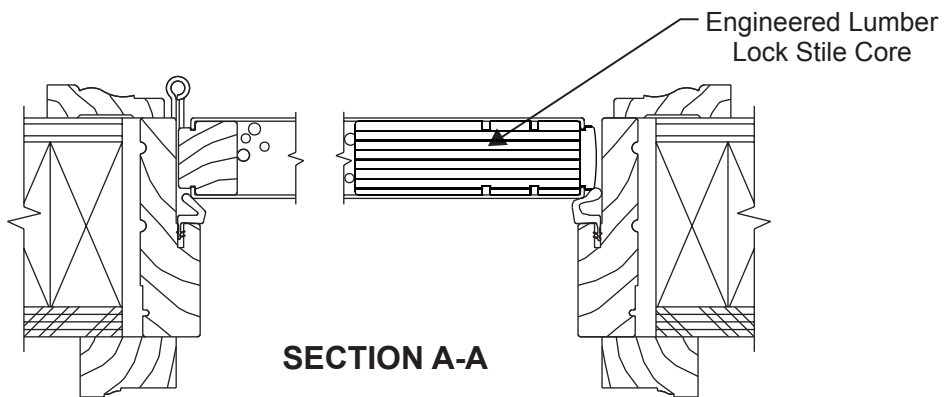
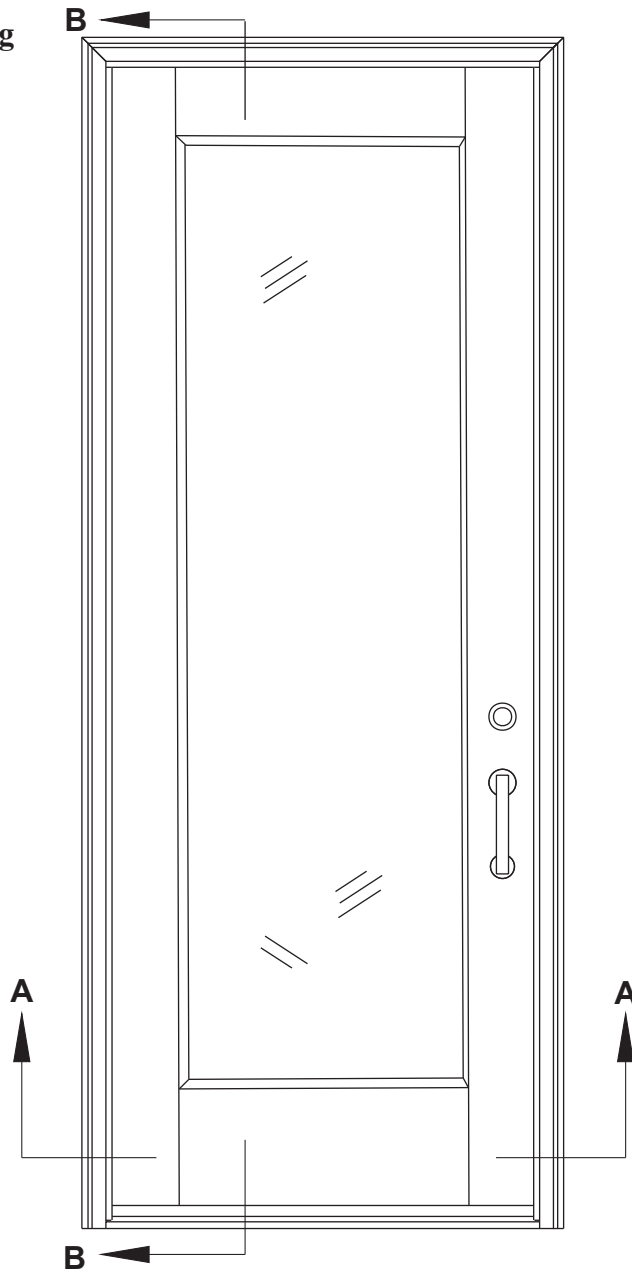


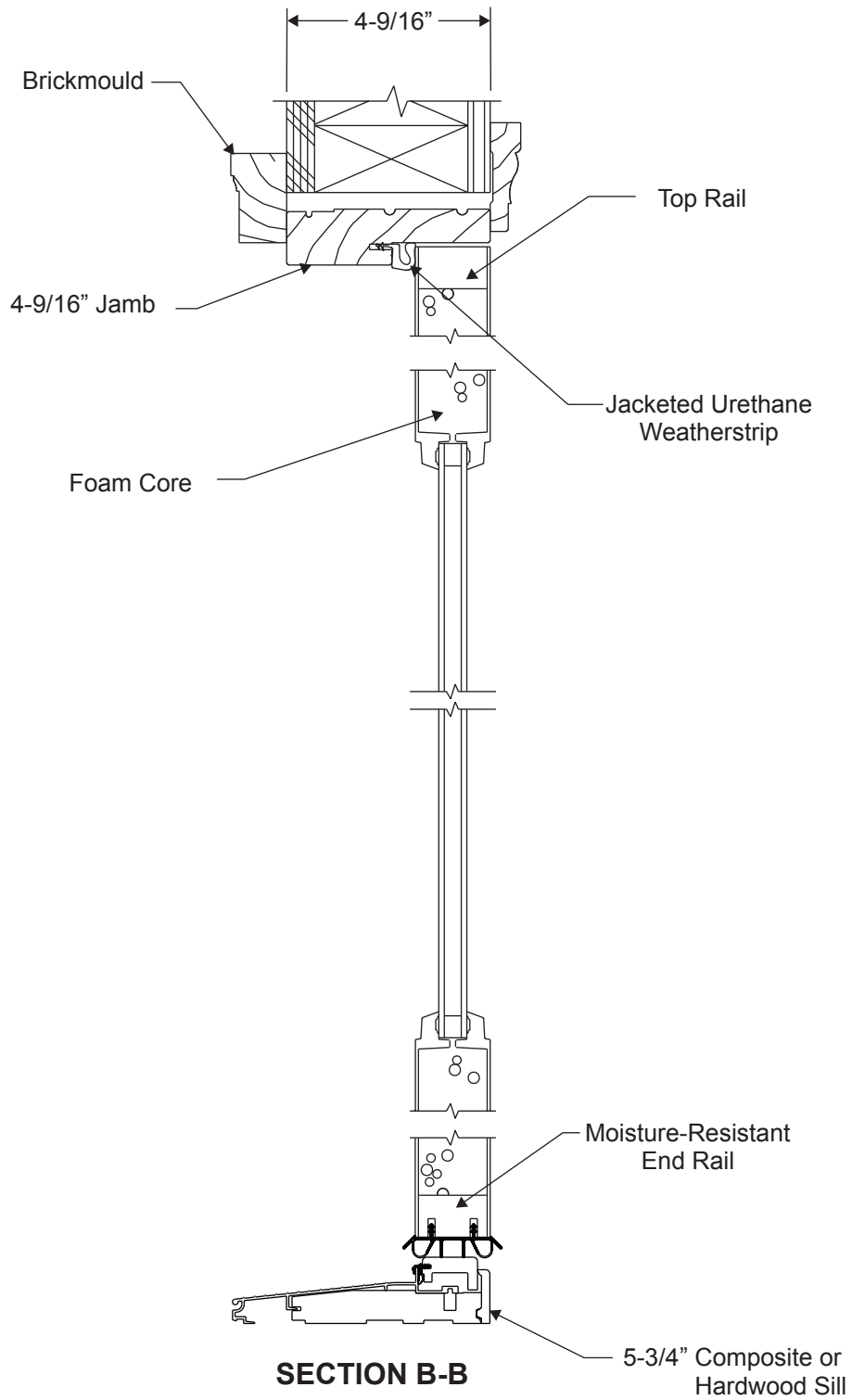
**SECTION B-B**

# Smooth-Star Flush-Glazed Door 8/0

Architectural  
Details

Single Door, Inswing

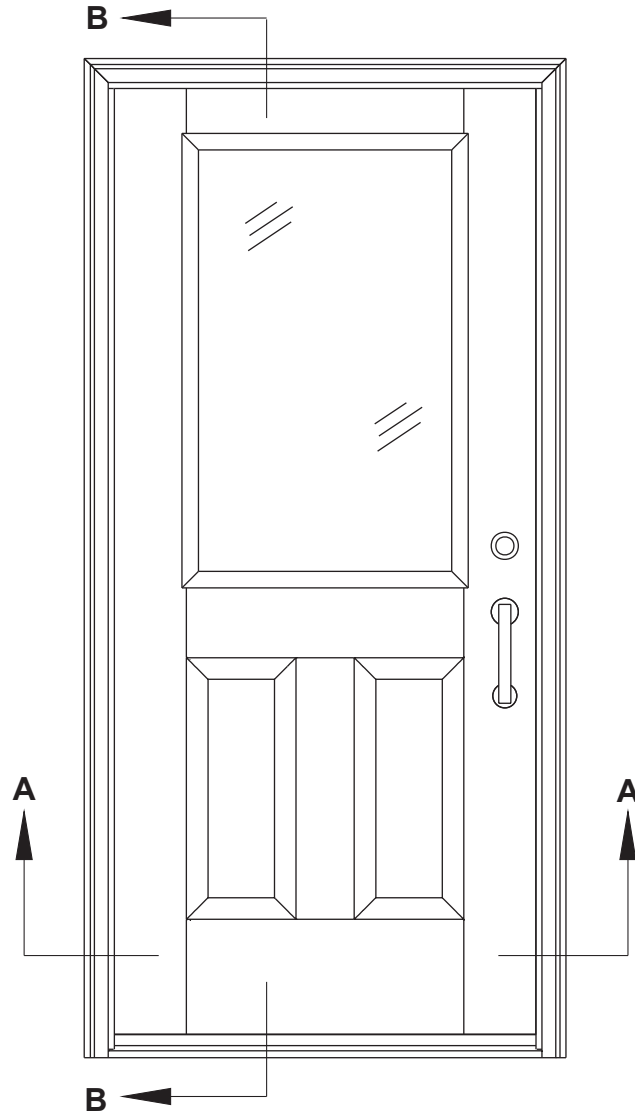




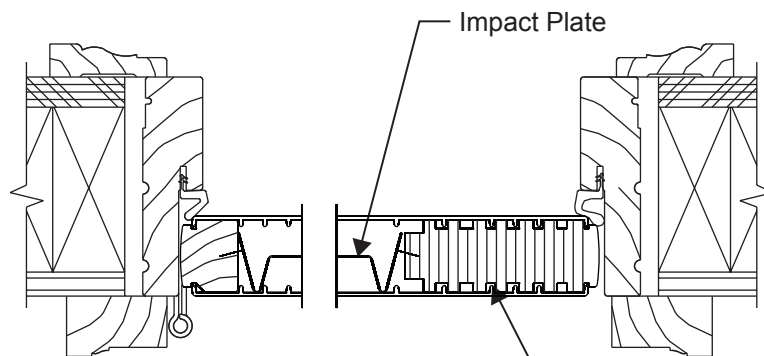
# Smooth-Star / Fiber-Classic Impact Door

Architectural  
Details

## Single Door, Outswing

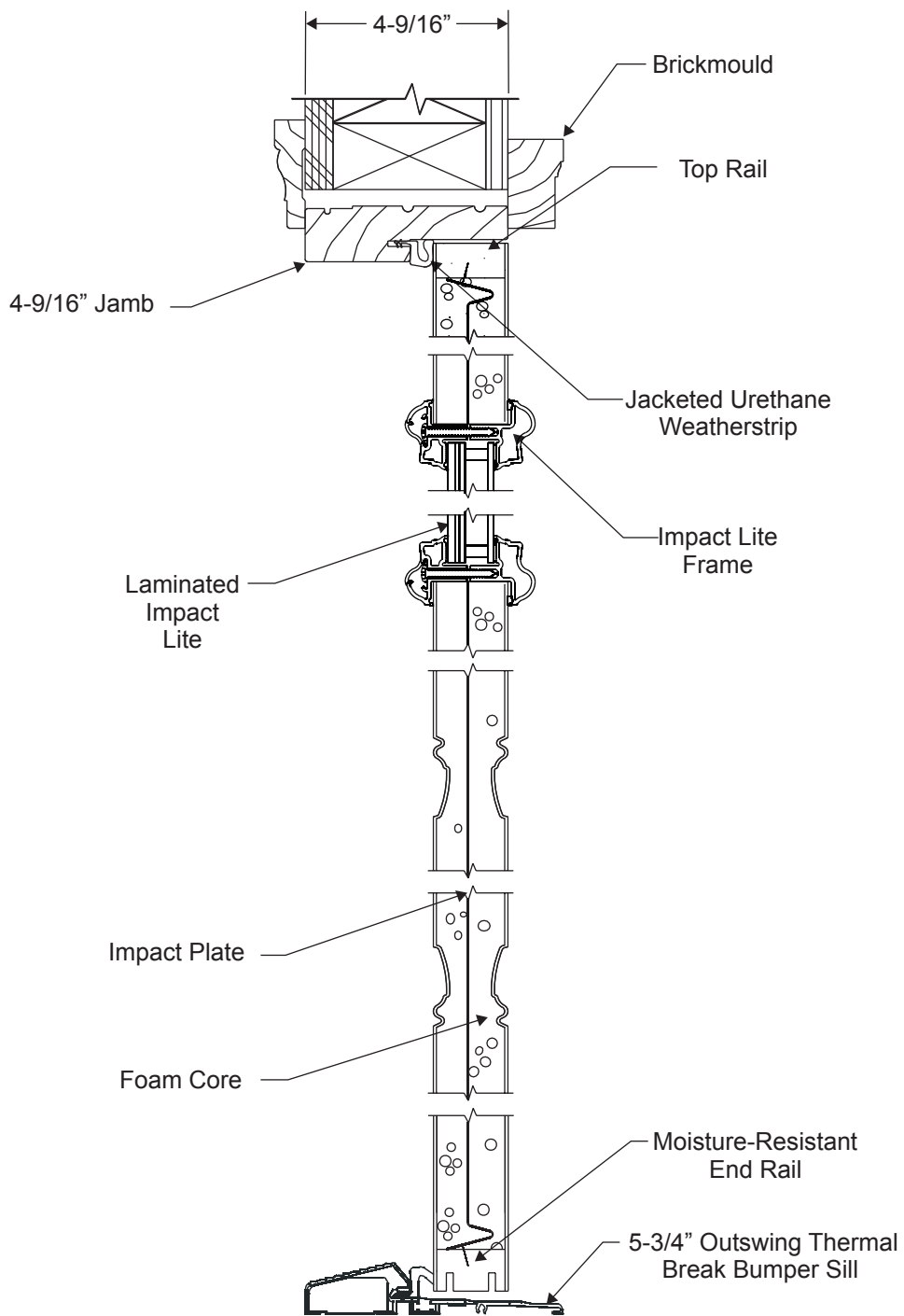


Scale: 3/4" = 1'- 0"



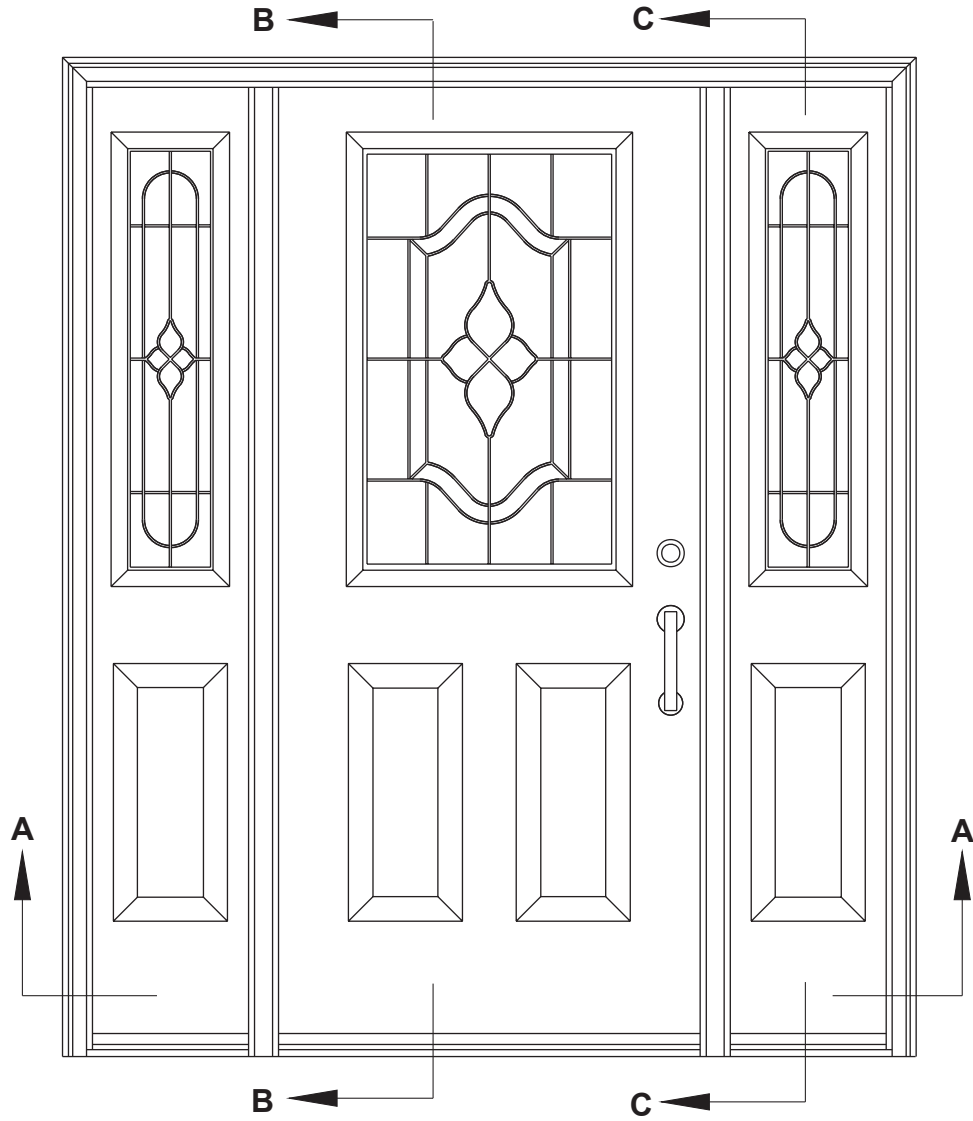
**SECTION A-A**  
Scale: 3" = 1'- 0"

Engineered Lumber Lock Stile Core

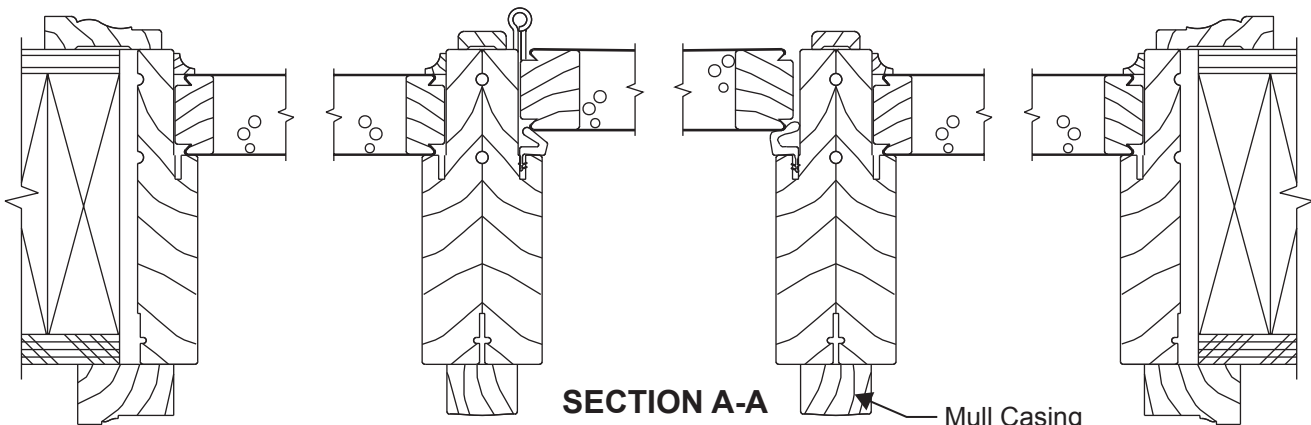


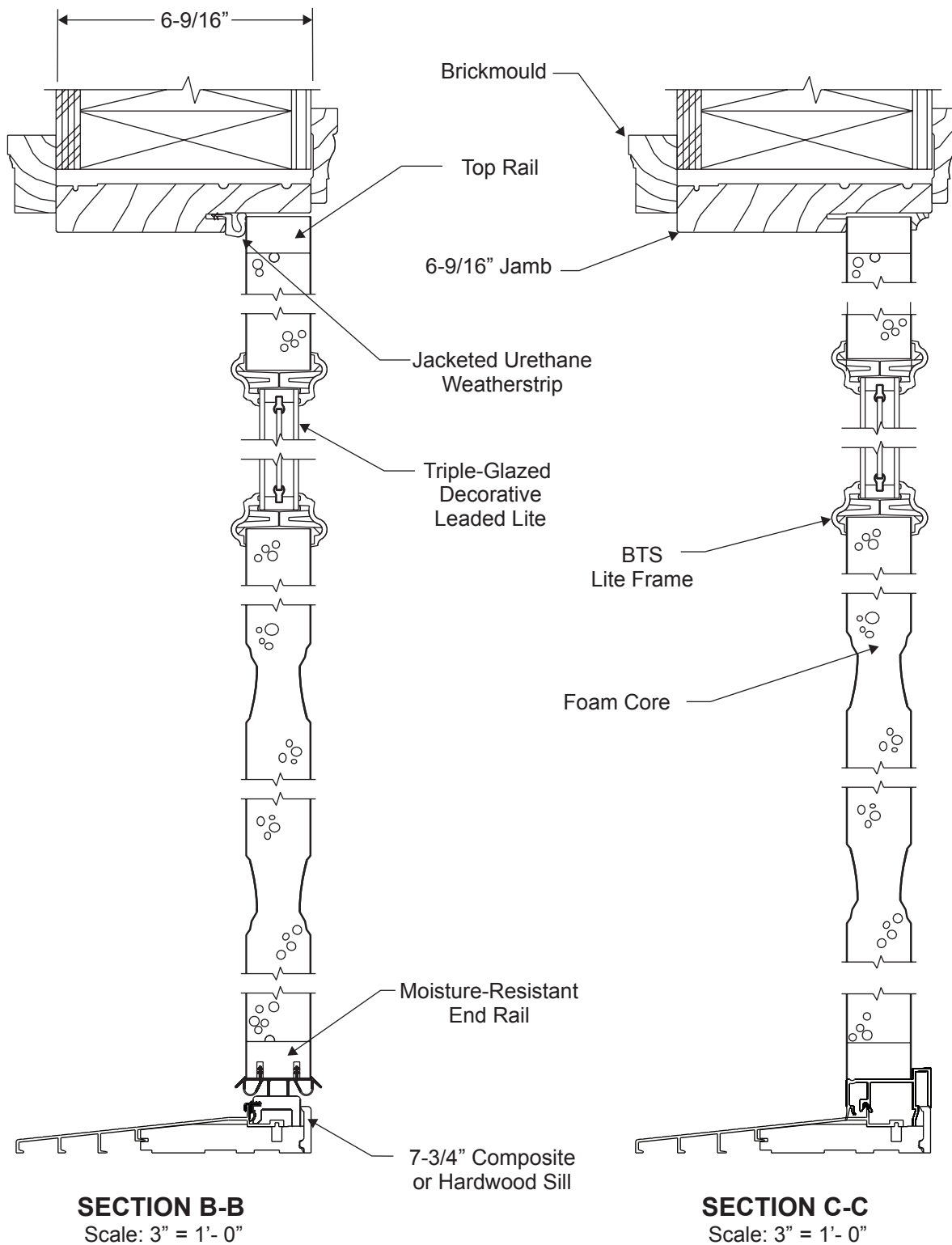
**SECTION B-B**  
Scale: 3" = 1'-0"

Door/Sidelites with Separate Frames, Joined, with Casing

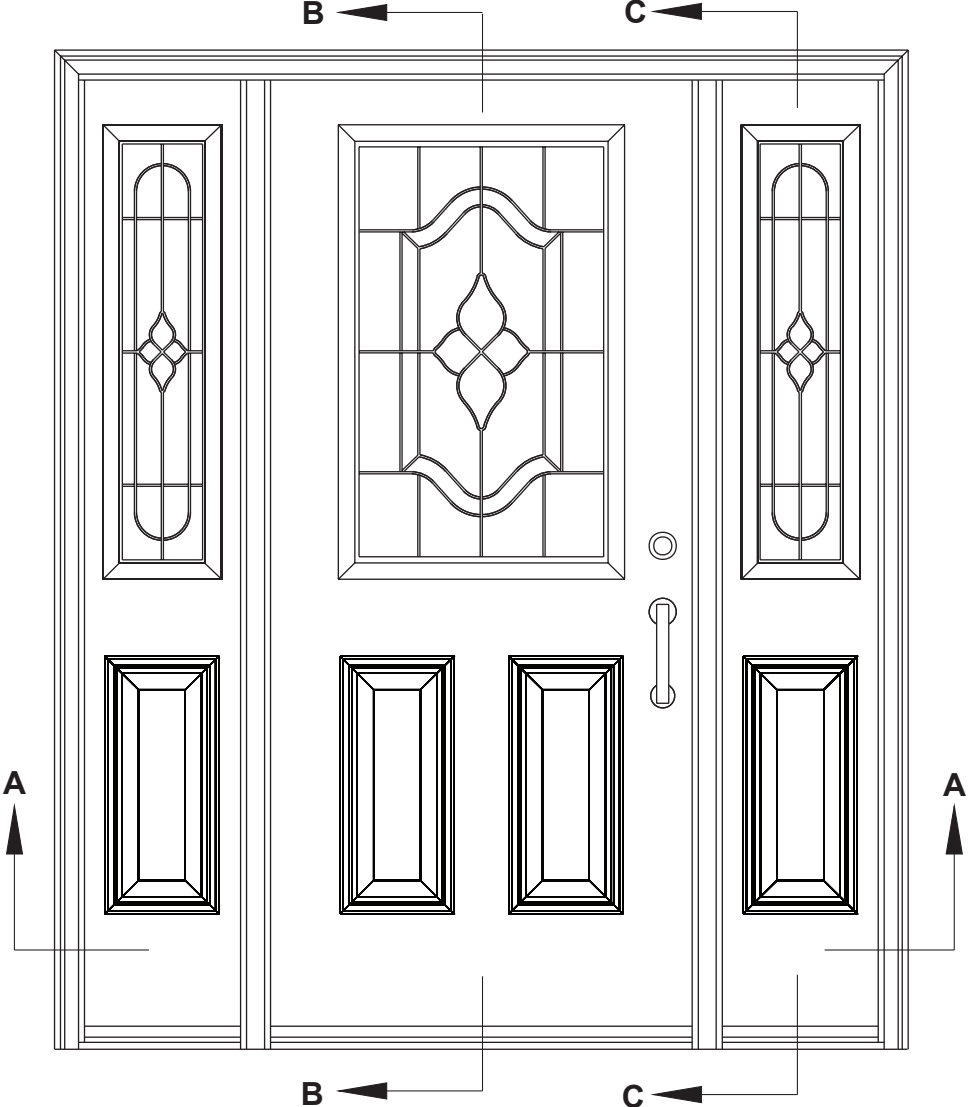


Scale: 3/4" = 1'-0"

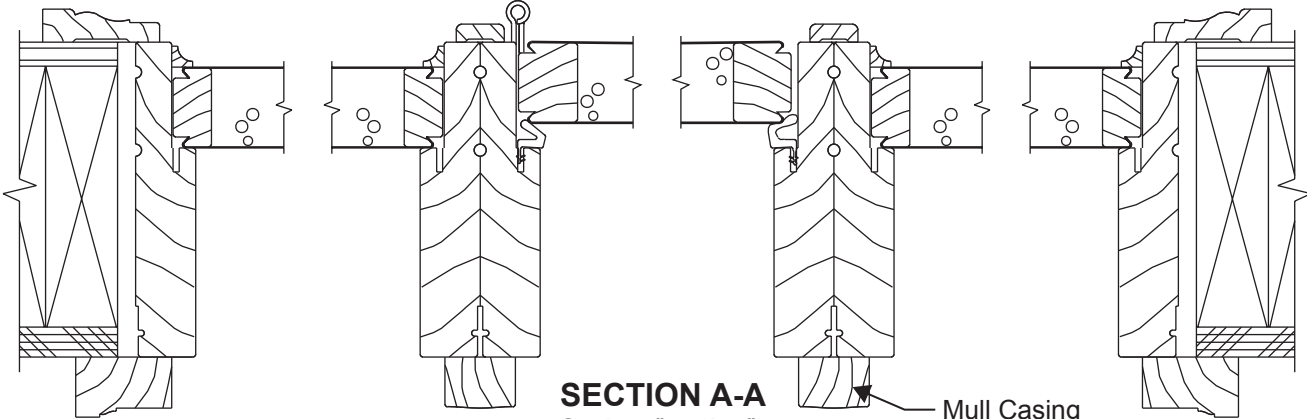




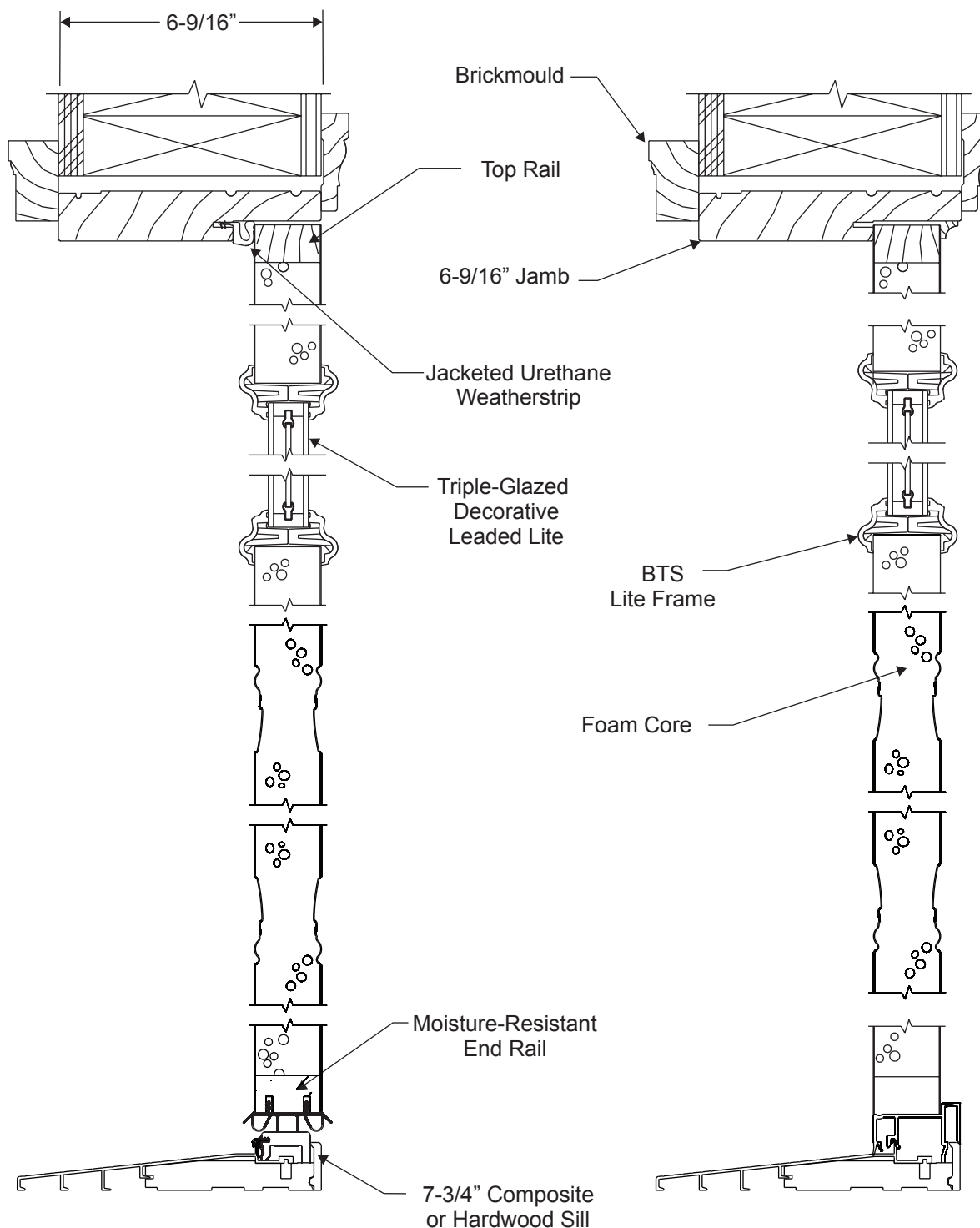
**Door/Sidelites with Separate Frames, Joined, with Casing**



Scale: 3/4" = 1'- 0"



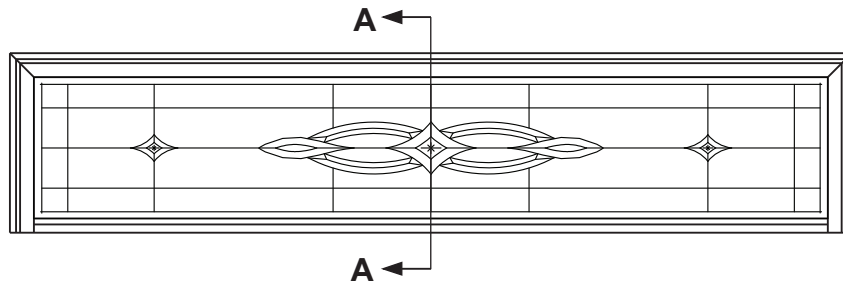




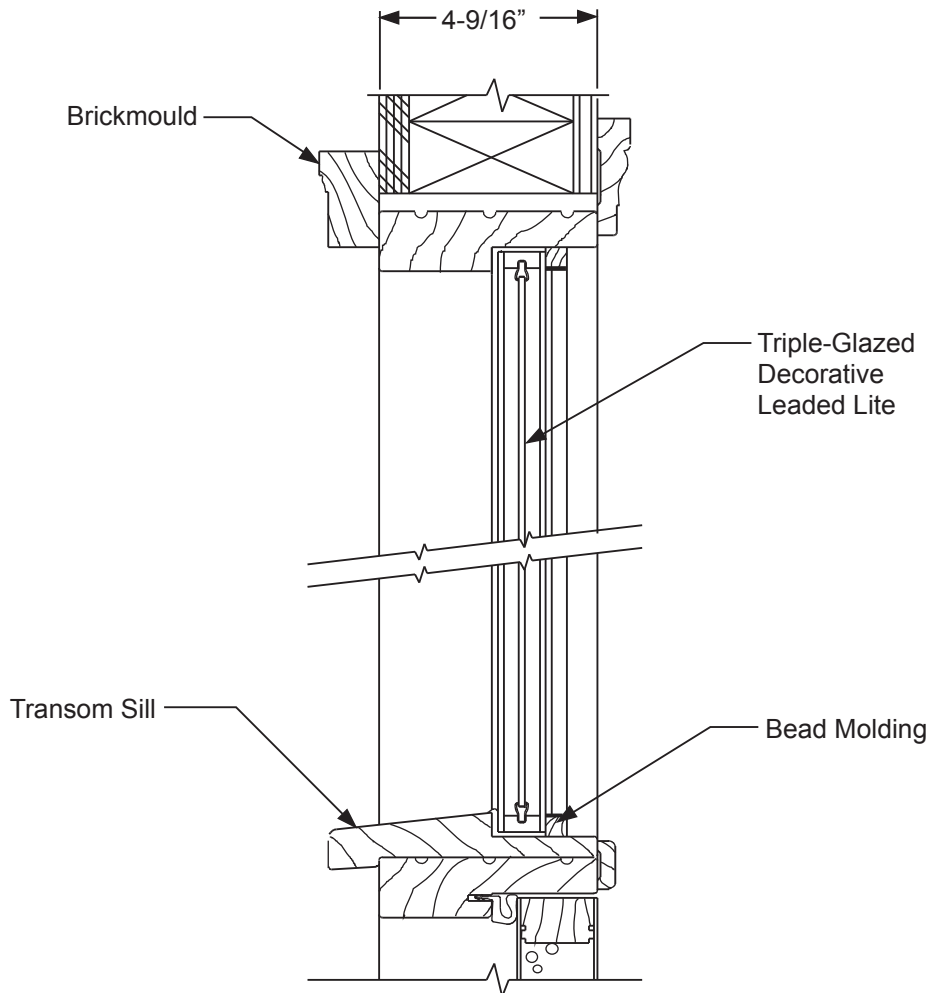
**SECTION B-B**  
Scale: 3" = 1'-0"

**SECTION C-C**  
Scale: 3" = 1'-0"

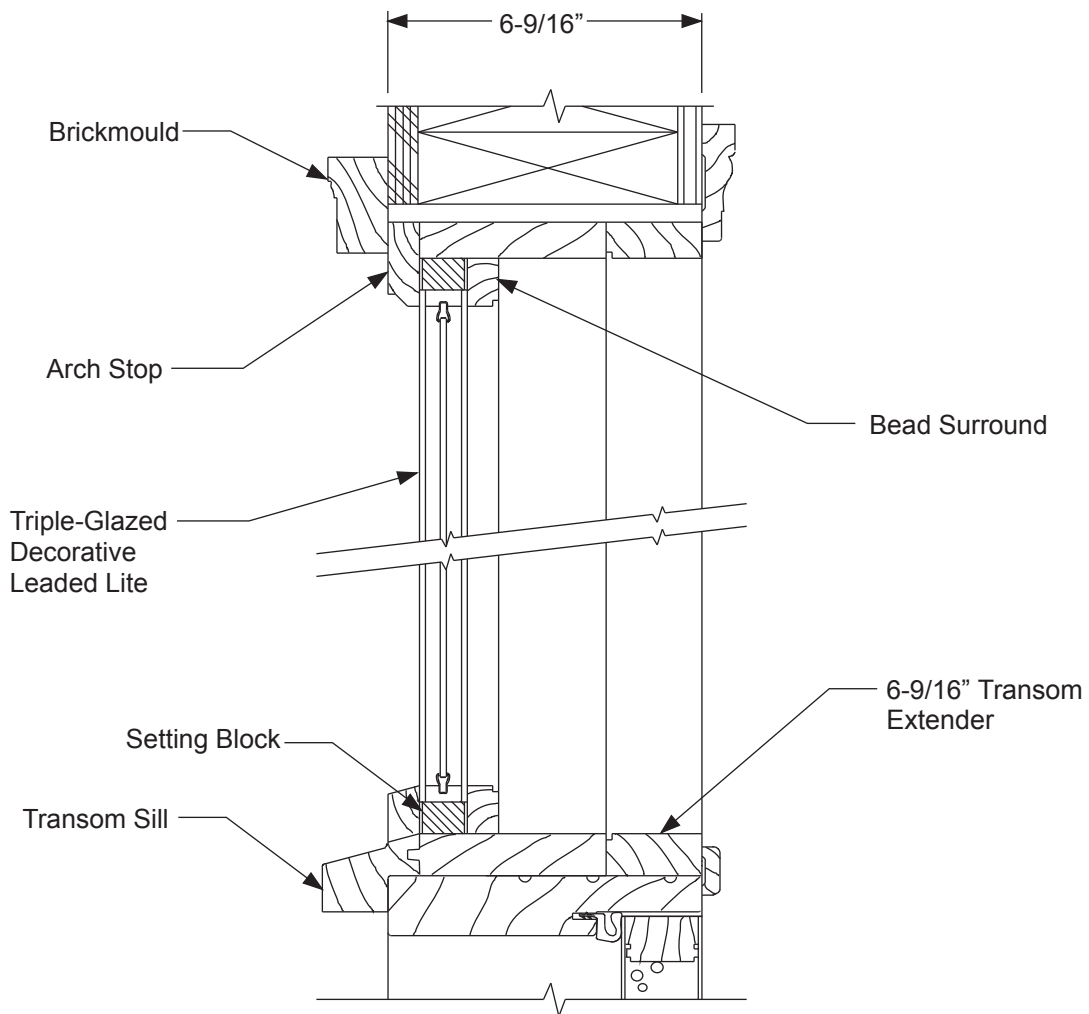
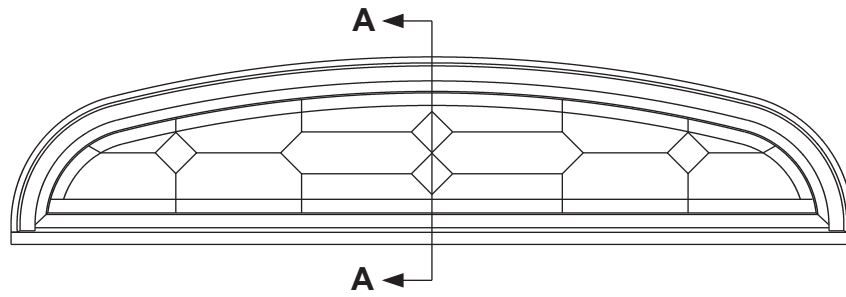
Architectural  
Details



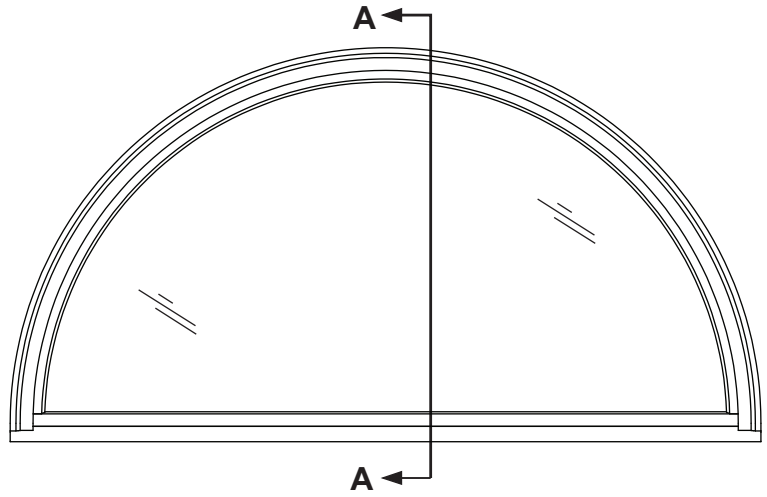
Scale: 3/4" = 1'- 0"



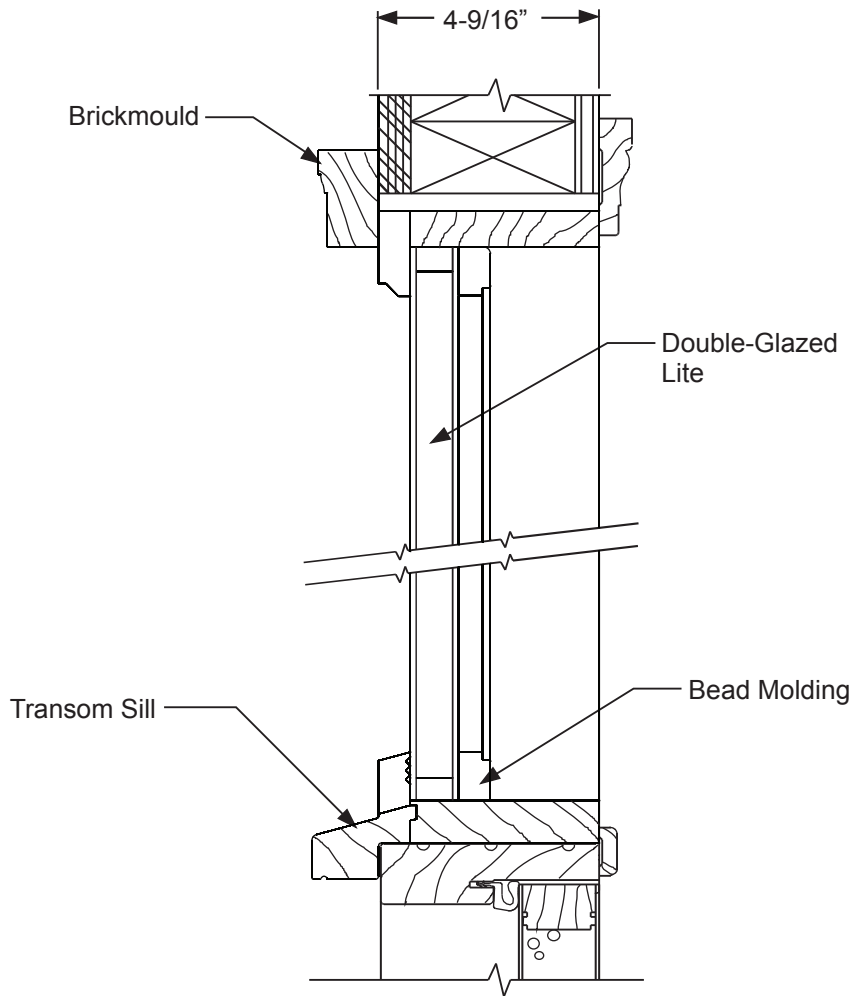
**SECTION A-A**  
Scale: 3" = 1'- 0"



**SECTION A-A**

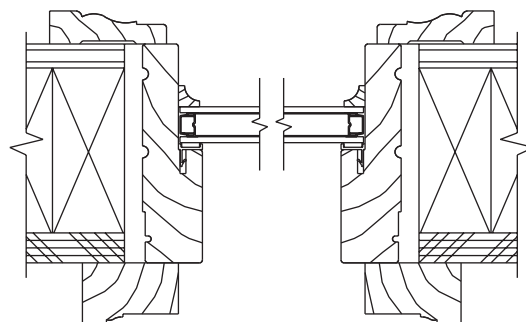
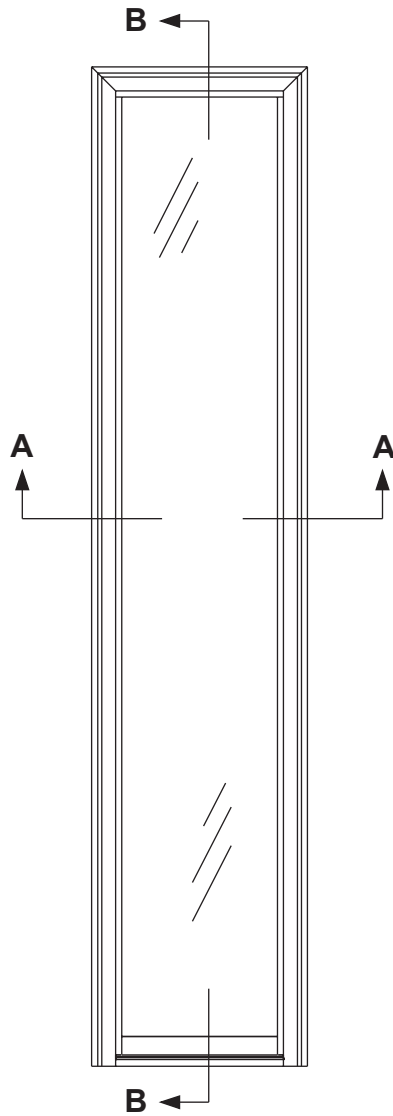


Scale: 3/4" = 1'- 0"

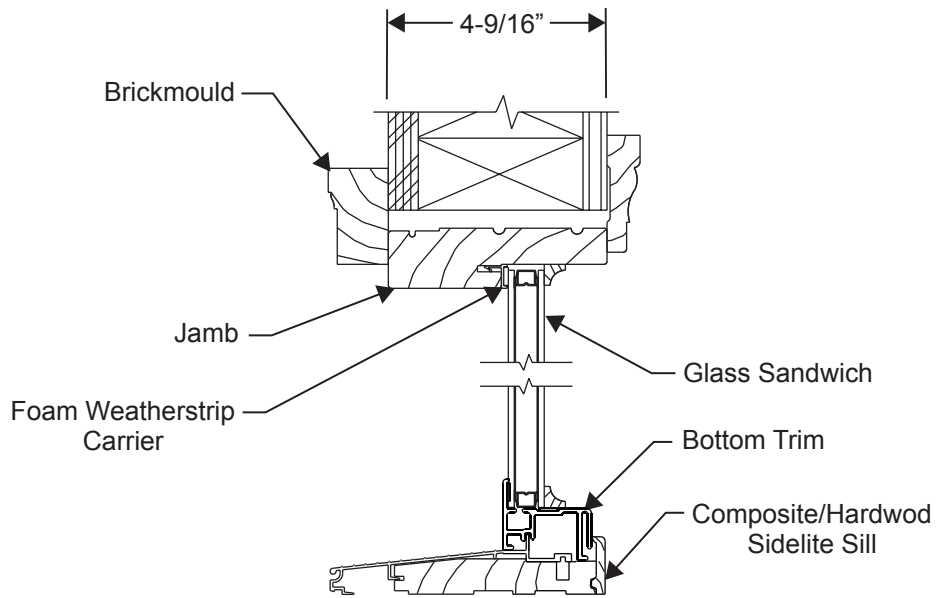


### SECTION A-A

Scale: 3" = 1'- 0"



**SECTION A-A**



**SECTION B-B**