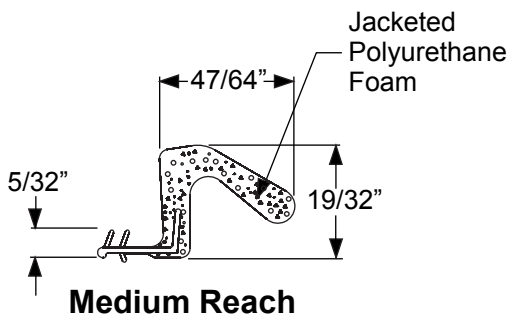
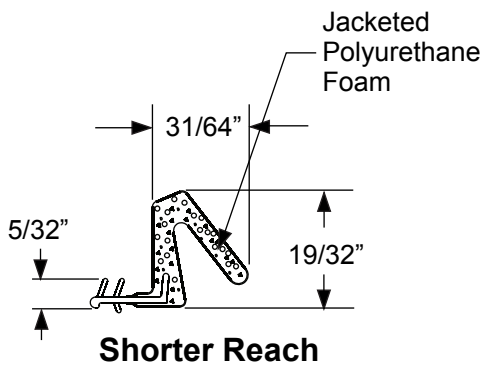
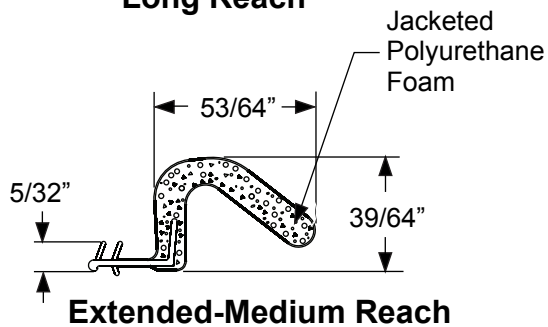
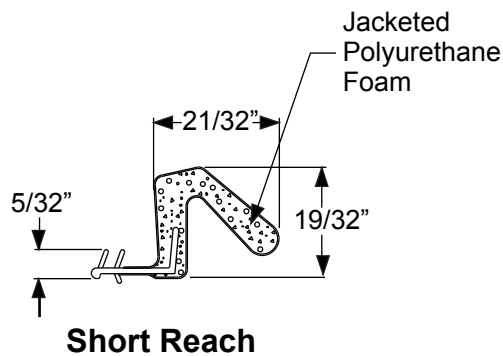
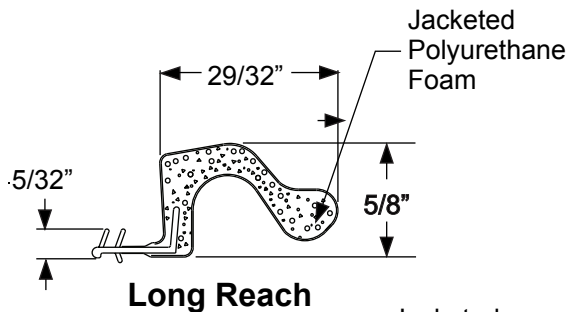


Weatherstrip.....9.3
Door Bottoms.....9.4
Door Bottoms - Sidelites.....9.5

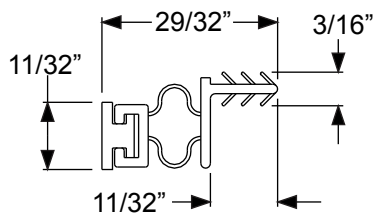
Weatherstrip
and Door
Bottoms

Weatherstrip
and Door
Bottoms

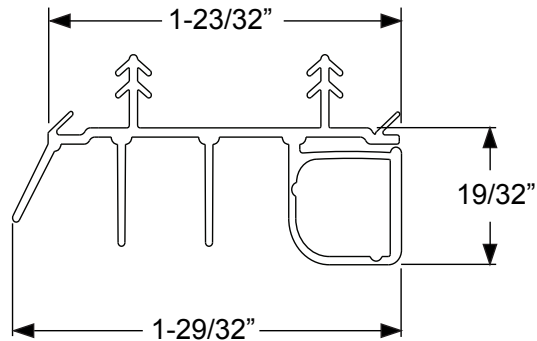


Weatherstrip
and Door
Bottoms

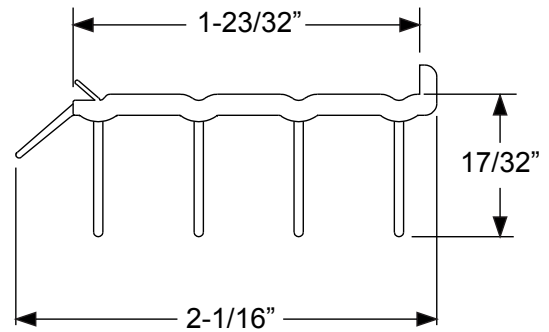
Magnetic - Barbed



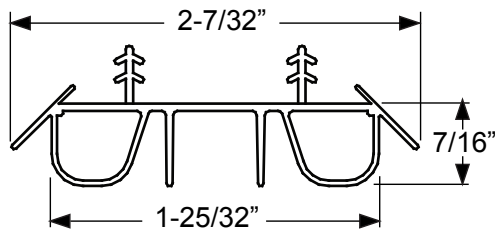
Door Bottoms



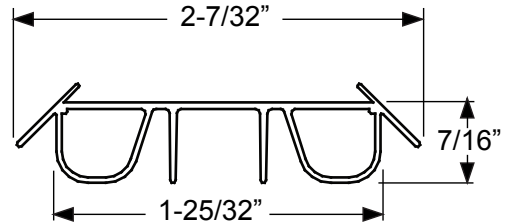
**Single Bulb
Kerf-Applied Door Bottom**



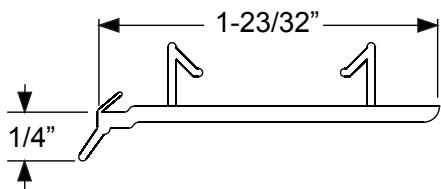
**Sweep/Replacement
Door Bottom**



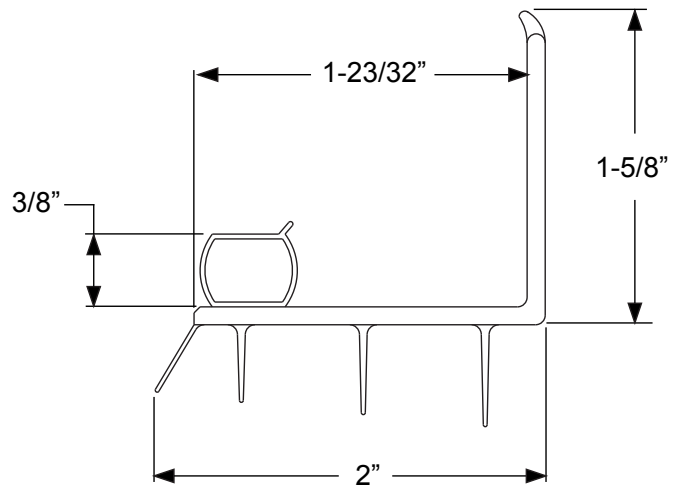
**Dual Bulb Kerf-Applied
Door Bottom**



**Dual Bulb No Kerf
Door Bottom**

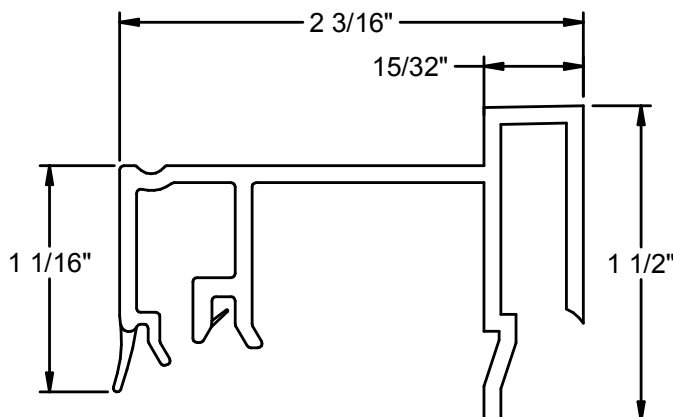


**Outswing Kerf-Applied
Door Bottom**



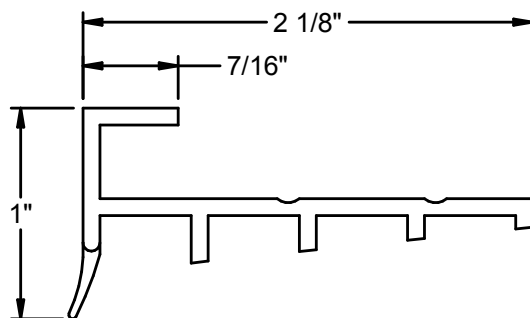
**Adjustable Door Bottom
for Steel Edge**

Weatherstrip
and Door
Bottoms



Slab Size	Length
10"	9.952
12"	11.952
14"	13.952
2/0	24.133
2/4	28.133
2/6	30.133
2/8	32.133
2/10	34.133
3/0	36.133
3/6	42.133

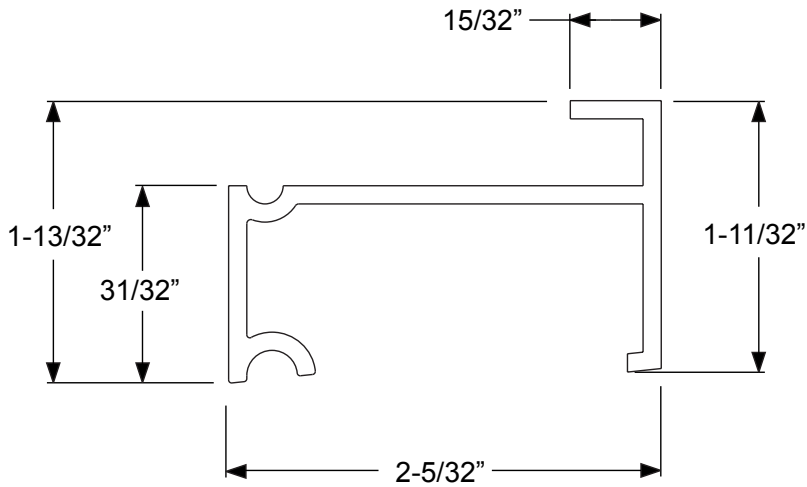
**Inactive Door Bottom -
Composite/Hardwood Inswing Sill**



Slab Size	Length
10"	9.938
12"	11.938
14"	13.938
2/0	24.133
2/4	28.133
2/6	30.133
2/8	32.133
2/10	34.133
3/0	36.133
3/6	42.133

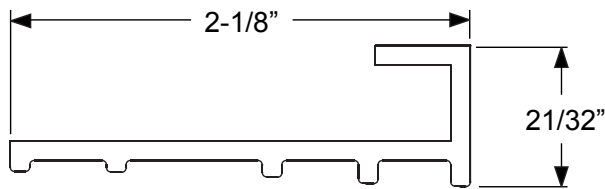
**Inactive Panel Door Bottom -
Composite Outswing Sill**

Weatherstrip
and Door
Bottoms



Size	Length
12"	11-31/32"
14"	13-31/32"

**Sidelite Door Bottom -
Basic Fixed or Moderate Climate Sill**



Slab Size	Length
12"	11.938
14"	13.938
2/2	26.125
2/4	28.125
2/6	30.125
2/8	32.125
2/10	34.125
3/0	36.125

**Sidelite Door Bottom -
Aluminum Outswing Sill**