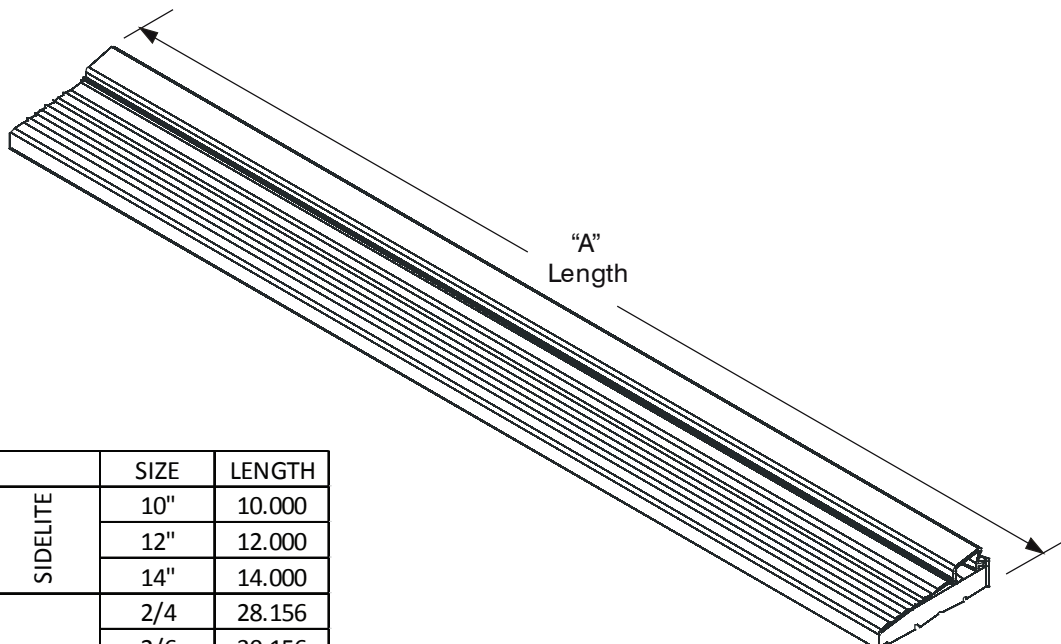
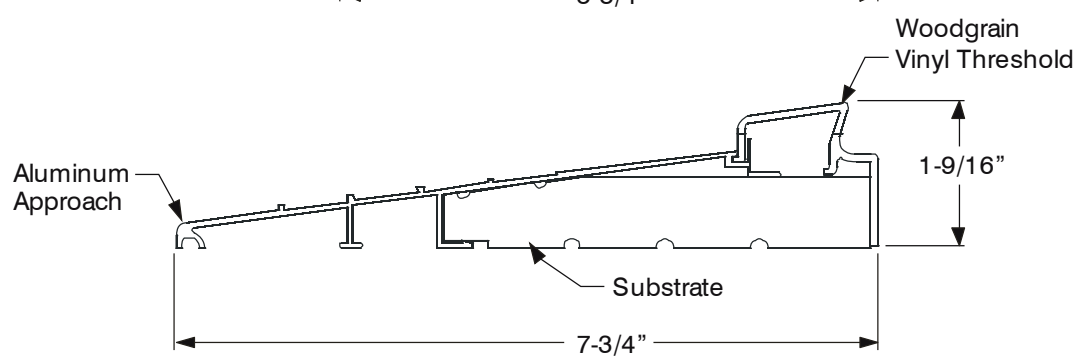
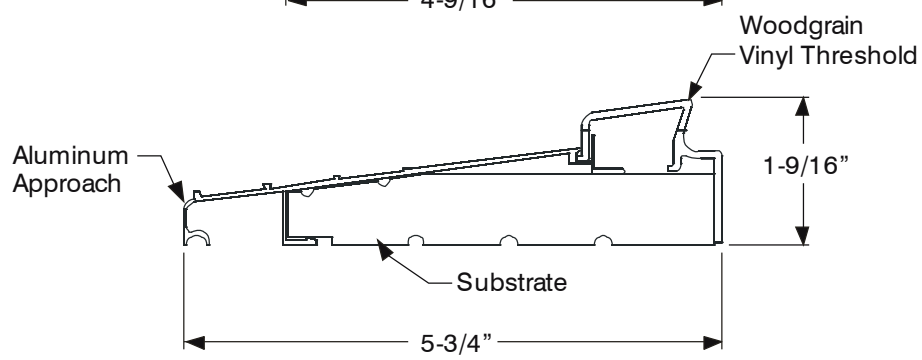
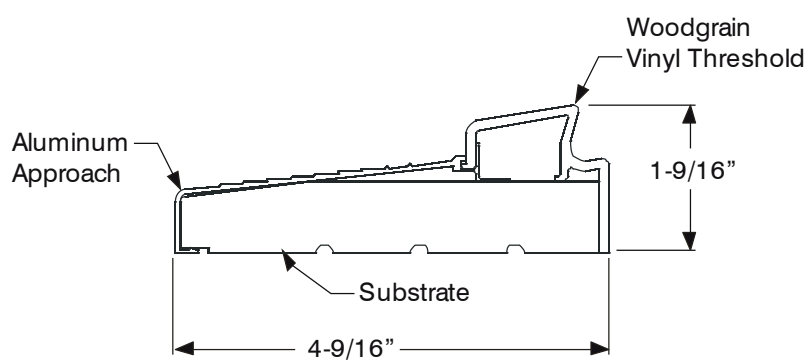


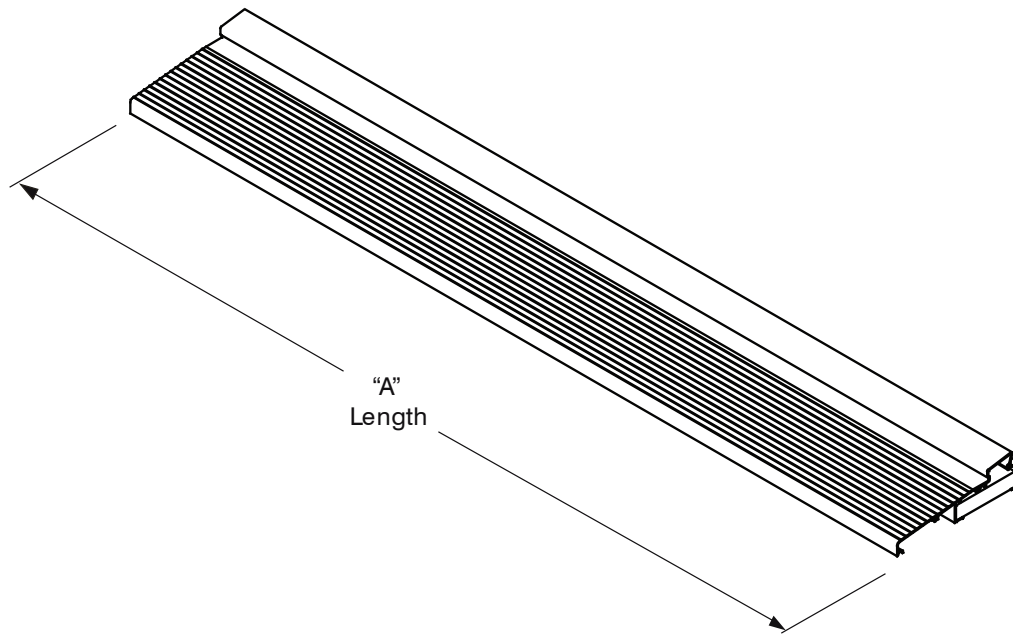
Basic Fixed Sill	8.3
Moderate Climate Sill	8.4
Composite/Hardwood Inswing Adjustable Sill	8.5
Composite/Hardwood Inswing Adjustable Sill Extenders	8.8
Basic Composite Inswing Adjustable Sill	8.9
Basic Composite Inswing Adjustable Sill Extenders	8.10
Composite Outswing Sill	8.11
Outswing Sill - Thermal Break.....	8.13
Outswing Sill - No Thermal Break.....	8.14
Coastal Outswing Sill.....	8.15
Public Access Sill - Thermal Break.....	8.16
Public Access Sill - No Thermal Break.....	8.17
Adjusta-Fit® 2 Inswing Sill	8.18
Adjusta-Fit® 2 Sill Extenders	8.19
Adjusta-Fit® 2 Public Access Sill.....	8.20
Basic Fixed/Moderate Climate Sill Cover	8.21
Inswing Adjustable Sill Cover	8.22
Outswing Sill Cover.....	8.23
Sill End Seal Pads	8.24



	SIZE	LENGTH
SIDELITE	10"	10.000
	12"	12.000
	14"	14.000
SINGLE	2/4	28.156
	2/6	30.156
	2/8	32.156
	2/10	34.156
	3/0	36.156
	3/6	40.156
FRENCH (7/8" ASTRAGAL)	4/8	57.062
	5/0	61.062
	5/4	65.062
	6/0	73.062

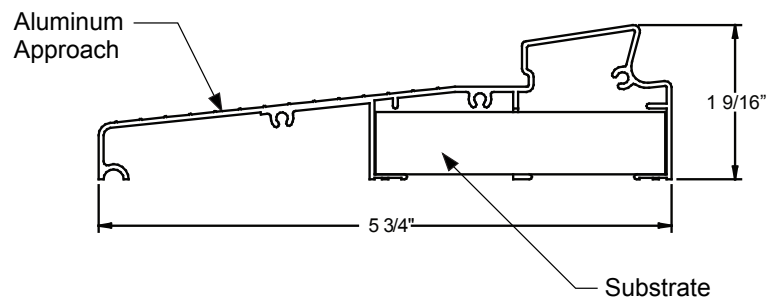


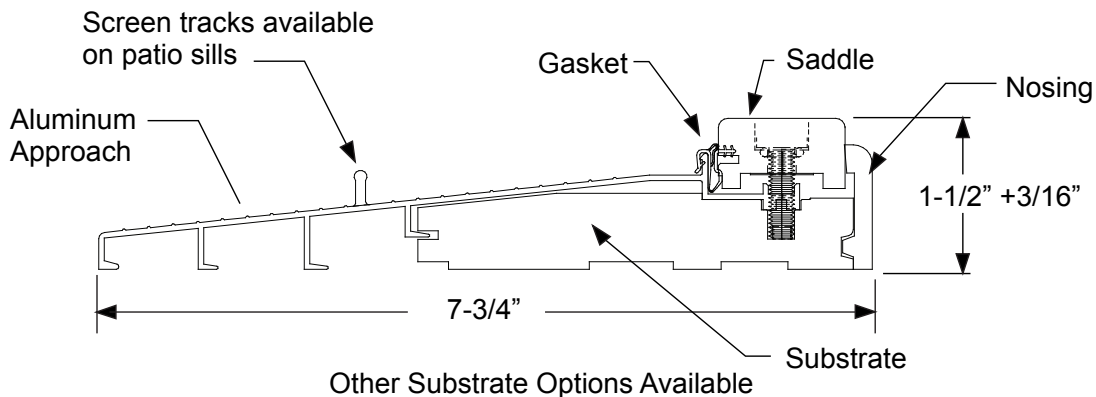
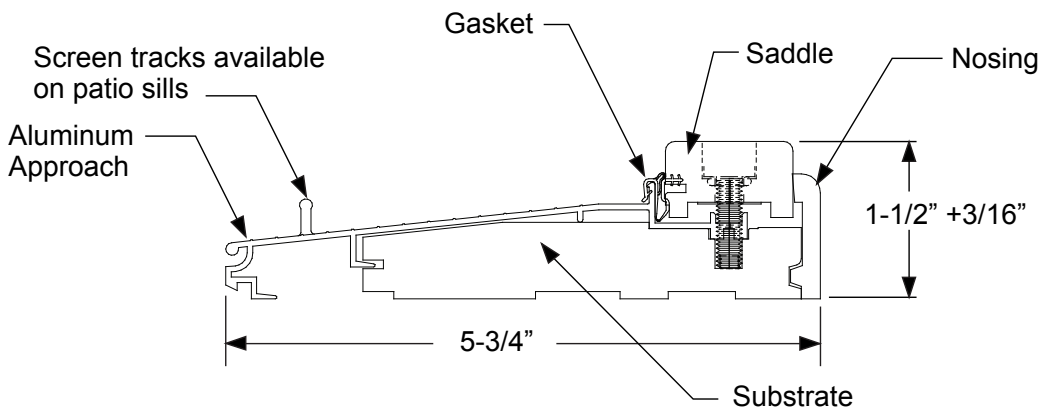
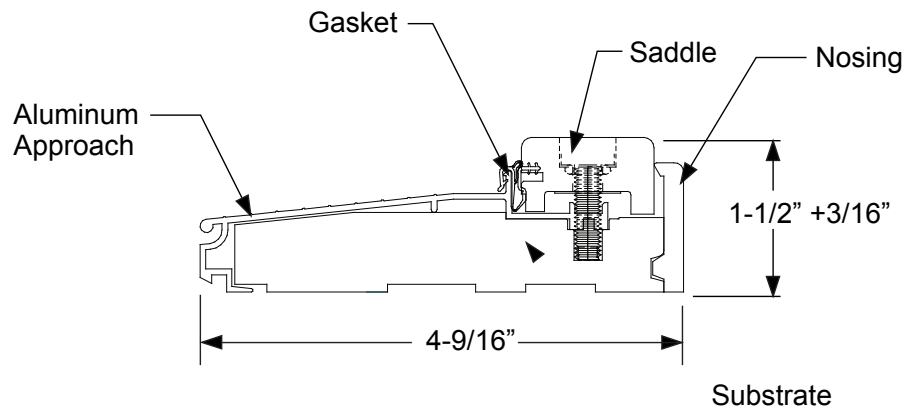
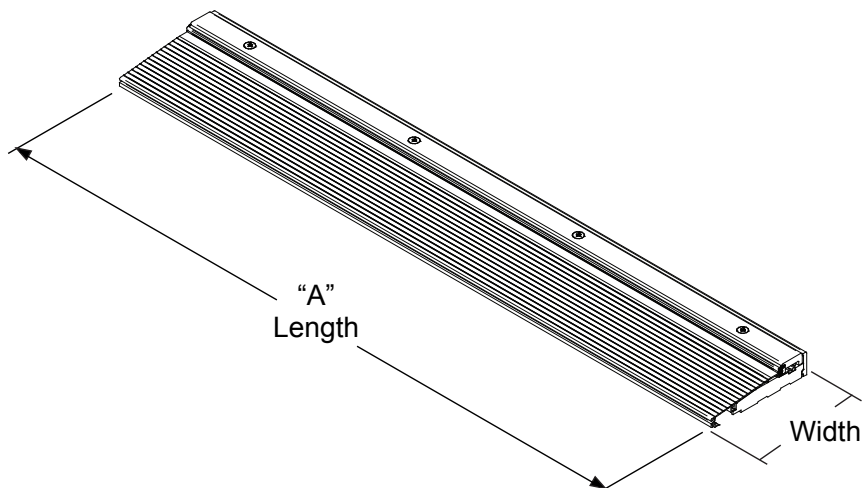
Moderate Climate Sill



Sills

	SIZE	"A" OVERALL LENGTH
SINGLE	2/4 DOOR	28.156"
	2/6 DOOR	30.156"
	2/8 DOOR	32.156"
	2/10 DOOR	34.156"
	3/0 DOOR	36.156"
	3/6 DOOR	42.156"
FRENCH	4/8 FRENCH WITH 7/8" ASTRAGAL	57.062"
	5/0 FRENCH WITH 7/8" ASTRAGAL	61.062"
	5/4 FRENCH WITH 7/8" ASTRAGAL	65.062"
	5/8 FRENCH WITH 7/8" ASTRAGAL	69.062"
	6/0 FRENCH WITH 7/8" ASTRAGAL	73.062"
	7/0 FRENCH WITH 7/8" ASTRAGAL	85.062"





Sills

Composite/Hardwood Inswing Adjustable Sill

		LENGTHS	"A"		
SINGLE		2/4	28.156		
		2/6	30.156		
		2/8	32.156		
		2/10	34.156		
		3/0	36.156		
		3/6	42.156		
FRENCH (7/8" ASTRAGAL)		4/8	57.062		
		5/0	61.062		
		5/4	65.062		
		5/8	69.062		
		6/0	73.062		
		7/0	85.062		
DOUBLE	STANDARD MULLION	4/8	57.312		
		5/0	61.312		
		5/4	65.312		
		5/8	69.312		
		6/0	73.312		
		7/0	86.469		
TRIPLE	STANDARD MULLION	7/6	92.469		
		8/0	98.469		
		8/6	104.469		
		9/0	110.469		
		SINGLE W/ 1 SIDELITE	STANDARD MULLION	2/4 W/1 10"	39.134
				2/4 W/1 12"	41.134
2/4 W/1 14"	43.134				
2/6 W/1 10"	41.134				
2/6 W/1 12"	43.134				
2/6 W/1 14"	45.134				
2/8 W/1 10"	43.134				
2/8 W/1 12"	45.134				
2/8 W/1 14"	47.134				
2/10 W/1 10"	45.134				
2/10 W/1 12"	47.134				
2/10 W/1 14"	49.134				
3/0 W/1 10"	47.134				
3/0 W/1 12"	49.134				
3/0 W/1 14"	51.134				
3/6 W/1 10"	53.134				
3/6 W/1 12"	55.134				
3/6 W/1 14"	57.134				
SINGLE W/ 2 SIDELITES	STANDARD MULLION			2/4 W/2 10"	50.156
				2/4 W/2 12"	54.156
		2/4 W/2 14"	58.156		
		2/6 W/2 10"	52.156		
		2/6 W/2 12"	56.156		
		2/6 W/2 14"	60.156		
		2/8 W/2 10"	54.156		
		2/8 W/2 12"	58.156		
		2/8 W/2 14"	62.156		
		2/10 W/2 10"	56.156		
		2/10 W/2 12"	60.156		
		2/10 W/2 14"	64.156		
		3/0 W/2 10"	58.156		
		3/0 W/2 12"	62.156		
		3/0 W/2 14"	66.156		
		3/6 W/2 10"	64.156		
3/6 W/2 12"	68.156				
3/6 W/2 14"	72.156				

		LENGTHS	"A"		
DOUBLE	WIDE MULLION	4/8	57.812		
		5/0	61.812		
		5/4	65.812		
		5/8	69.812		
		6/0	73.812		
		7/0	87.469		
TRIPLE	WIDE MULLION	7/6	93.469		
		8/0	99.469		
		8/6	105.469		
		9/0	111.469		
		SINGLE W/ 1 SIDELITE	WIDE MULLION	2/4 W/1 10"	39.634
				2/4 W/1 12"	41.634
2/4 W/1 14"	43.634				
2/6 W/1 10"	41.634				
2/6 W/1 12"	43.634				
2/6 W/1 14"	45.634				
2/8 W/1 10"	43.634				
2/8 W/1 12"	45.634				
2/8 W/1 14"	47.634				
2/10 W/1 10"	45.634				
2/10 W/1 12"	47.634				
2/10 W/1 14"	49.634				
3/0 W/1 10"	47.634				
3/0 W/1 12"	49.634				
3/0 W/1 14"	51.634				
3/6 W/1 10"	53.634				
3/6 W/1 12"	55.634				
3/6 W/1 14"	57.634				
SINGLE W/ 2 SIDELITES	WIDE MULLION	2/4 W/2 10"	51.156		
		2/4 W/2 12"	55.156		
		2/4 W/2 14"	59.156		
		2/6 W/2 10"	53.156		
		2/6 W/2 12"	57.156		
		2/6 W/2 14"	61.156		
		2/8 W/2 10"	55.156		
		2/8 W/2 12"	59.156		
		2/8 W/2 14"	63.156		
		2/10 W/2 10"	57.156		
		2/10 W/2 12"	61.156		
		2/10 W/2 14"	65.156		
3/0 W/2 10"	59.156				
3/0 W/2 12"	63.156				
3/0 W/2 14"	67.156				
3/6 W/2 10"	65.156				
3/6 W/2 12"	69.156				
3/6 W/2 14"	73.156				

		LENGTHS	"A"
FRENCH W/ 2 SIDELITES	WIDE MULLION	6/0 W/2-10"	96.062
		6/0 W/2-12"	100.062
		6/0 W/2-14"	104.062
SINGLE W/ 2 VENTING SIDELITES	WIDE MULLION	2/4 W/2-12"	55.564
		2/4 W/2-14"	59.564
		2/6 W/2-12"	57.564
		2/6 W/2-14"	61.564
		2/8 W/2-12"	59.564
		2/8 W/2-14"	63.564
SINGLE W/ 2 VENTING SIDELITES	WIDE MULLION	2/10 W/2-12"	61.564
		2/10 W/2-14"	65.564
		3/0 W/2-12"	63.564
		3/0 W/2-14"	67.564
		4/8 W/2-12"	84.470
		4/8 W/2-14"	88.470
FRENCH W/ 2 VENTING SIDELITES	WIDE MULLION	5/0 W/2-12"	88.470
		5/0 W/2-14"	92.470
		5/4 W/2-12"	92.470
		5/4 W/2-14"	96.470
		5/8 W/2-12"	96.470
		5/8 W/2-14"	100.470
FRENCH W/ 2 VENTING SIDELITES	WIDE MULLION	6/0 W/2-12"	100.470
		6/0 W/2-14"	104.470

Sills

LENGTHS		"A"
SINGLE W/ 1 SIDELITE SPREAD MULLION	3/0 W/1 10" SPREAD 0.00"	47.656
	3/0 W/1 12" SPREAD 0.00"	49.656
	3/0 W/1 14" SPREAD 0.00"	51.656
	3/0 W/1 10" SPREAD 0.25"	47.906
	3/0 W/1 12" SPREAD 0.25"	49.906
	3/0 W/1 14" SPREAD 0.25"	51.906
	3/0 W/1 10" SPREAD 0.50"	48.156
	3/0 W/1 12" SPREAD 0.50"	50.156
	3/0 W/1 14" SPREAD 0.50"	52.156
	3/0 W/1 10" SPREAD 0.75"	48.406
	3/0 W/1 12" SPREAD 0.75"	50.406
	3/0 W/1 14" SPREAD 0.75"	52.406
	3/0 W/1 10" SPREAD 1.00"	48.656
	3/0 W/1 12" SPREAD 1.00"	50.656
	3/0 W/1 14" SPREAD 1.00"	52.656
	3/0 W/1 10" SPREAD 1.25"	48.906
	3/0 W/1 12" SPREAD 1.25"	50.906
	3/0 W/1 14" SPREAD 1.25"	52.906
	3/0 W/1 10" SPREAD 1.50"	49.156
	3/0 W/1 12" SPREAD 1.50"	51.156
	3/0 W/1 14" SPREAD 1.50"	53.156
	3/0 W/1 10" SPREAD 1.75"	49.406
	3/0 W/1 12" SPREAD 1.75"	51.406
	3/0 W/1 14" SPREAD 1.75"	53.406
	3/0 W/1 10" SPREAD 2.00"	49.656
	3/0 W/1 12" SPREAD 2.00"	51.656
	3/0 W/1 14" SPREAD 2.00"	53.656
	3/0 W/1 10" SPREAD 2.25"	49.906
	3/0 W/1 12" SPREAD 2.25"	51.906
	3/0 W/1 14" SPREAD 2.25"	53.906
3/0 W/1 10" SPREAD 2.50"	50.156	
3/0 W/1 12" SPREAD 2.50"	52.156	
3/0 W/1 14" SPREAD 2.50"	54.156	
3/0 W/1 10" SPREAD 2.75"	50.406	
3/0 W/1 12" SPREAD 2.75"	52.406	
3/0 W/1 14" SPREAD 2.75"	54.406	
3/0 W/1 10" SPREAD 3.00"	50.656	
3/0 W/1 12" SPREAD 3.00"	52.656	
3/0 W/1 14" SPREAD 3.00"	54.406	

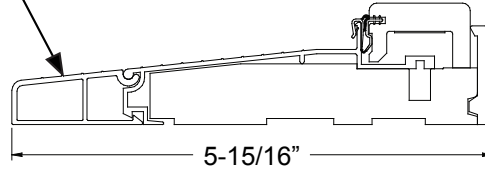
LENGTHS		"A"
SINGLE W/ 2 SIDELITES SPREAD MULLION	3/0 W/2 10" SPREAD 0.00"	59.156
	3/0 W/2 12" SPREAD 0.00"	63.156
	3/0 W/2 14" SPREAD 0.00"	67.156
	3/0 W/2 10" SPREAD 0.25"	59.656
	3/0 W/2 12" SPREAD 0.25"	63.656
	3/0 W/2 14" SPREAD 0.25"	67.656
	3/0 W/2 10" SPREAD 0.50"	60.156
	3/0 W/2 12" SPREAD 0.50"	64.156
	3/0 W/2 14" SPREAD 0.50"	68.156
	3/0 W/2 10" SPREAD 0.75"	60.156
	3/0 W/2 12" SPREAD 0.75"	64.656
	3/0 W/2 14" SPREAD 0.75"	68.656
	3/0 W/2 10" SPREAD 1.00"	61.156
	3/0 W/2 12" SPREAD 1.00"	65.156
	3/0 W/2 14" SPREAD 1.00"	69.156
	3/0 W/2 10" SPREAD 1.25"	61.656
	3/0 W/2 12" SPREAD 1.25"	65.656
	3/0 W/2 14" SPREAD 1.25"	69.656
	3/0 W/2 10" SPREAD 1.50"	62.156
	3/0 W/2 12" SPREAD 1.50"	66.156
	3/0 W/2 14" SPREAD 1.50"	70.156
	3/0 W/2 10" SPREAD 1.75"	62.656
	3/0 W/2 12" SPREAD 1.75"	66.656
	3/0 W/2 14" SPREAD 1.75"	70.656
	3/0 W/2 10" SPREAD 2.00"	63.156
	3/0 W/2 12" SPREAD 2.00"	67.156
	3/0 W/2 14" SPREAD 2.00"	71.156
	3/0 W/2 10" SPREAD 2.25"	63.656
	3/0 W/2 12" SPREAD 2.25"	67.656
	3/0 W/2 14" SPREAD 2.25"	71.656
3/0 W/2 10" SPREAD 2.50"	64.156	
3/0 W/2 12" SPREAD 2.50"	68.156	
3/0 W/2 14" SPREAD 2.50"	72.156	
3/0 W/2 10" SPREAD 2.75"	64.656	
3/0 W/2 12" SPREAD 2.75"	68.656	
3/0 W/2 14" SPREAD 2.75"	72.656	
3/0 W/2 10" SPREAD 3.00"	65.156	
3/0 W/2 12" SPREAD 3.00"	69.156	
3/0 W/2 14" SPREAD 3.00"	73.156	

*NOTE: Spread mullion options only available with Composite Inswing Adjustable Sill.

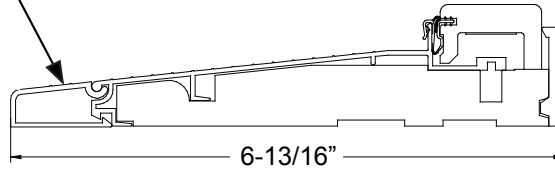
Sills

Composite/Hardwood Inswing Adjustable Sill Extenders

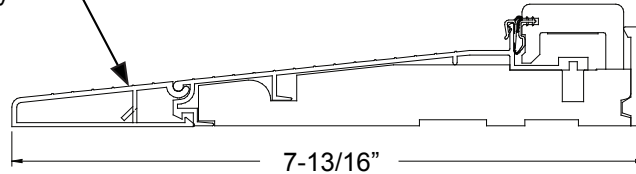
1-3/8" Extender
for 4-9/16" sill only.



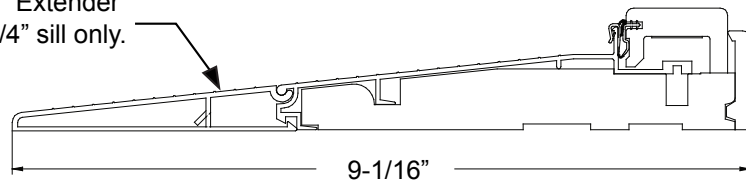
1" Extender
for 5-3/4" sill only.



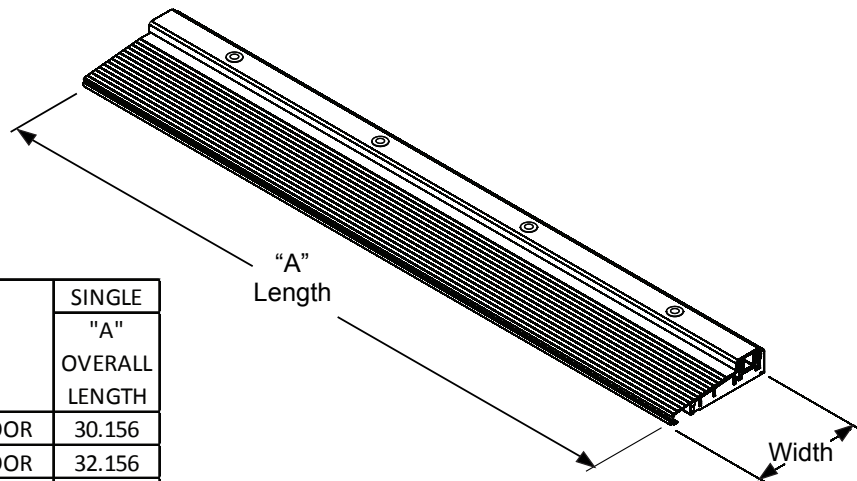
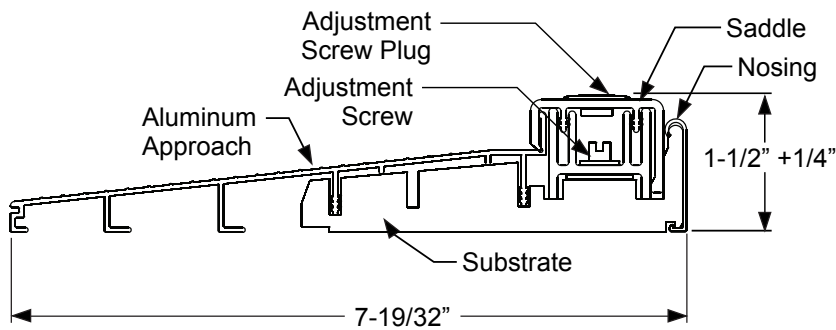
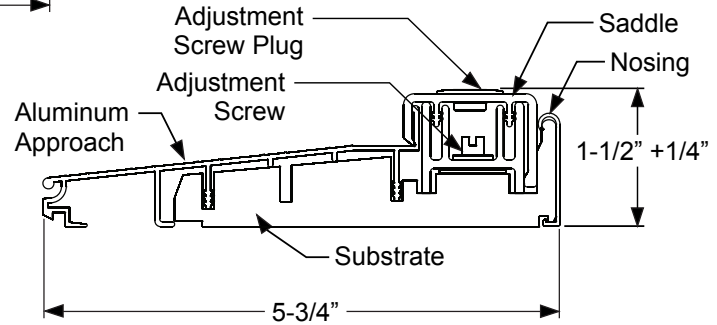
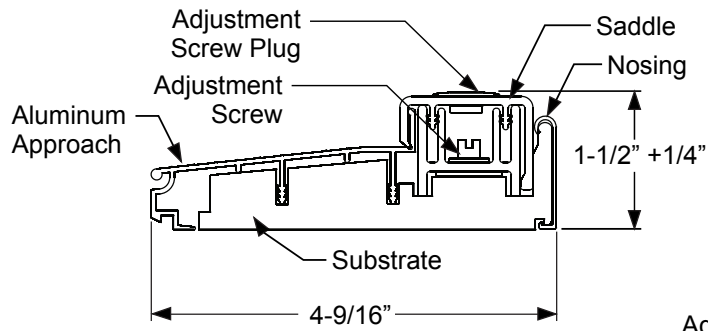
2" Extender
for 5-3/4" sill only.



3-1/4" Extender
for 5-3/4" sill only.



Sills

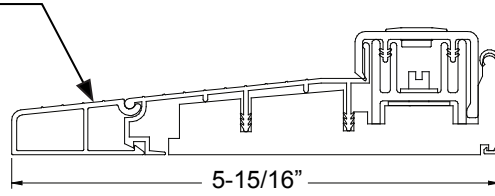


		SINGLE "A" OVERALL LENGTH	
SINGLE	STANDARD DOORS	26 = 2/6 DOOR	30.156
		28 = 2/8 DOOR	32.156
		21 = 2/10 DOOR	34.156
		30 = 3/0 DOOR	36.156

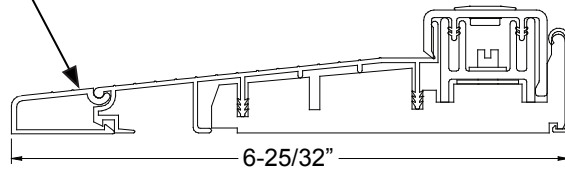
Sills

Basic Composite Inswing Adjustable Sill Extenders

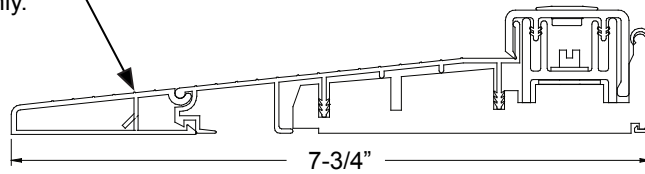
1-3/8" Extender
for 4-9/16" sill only.



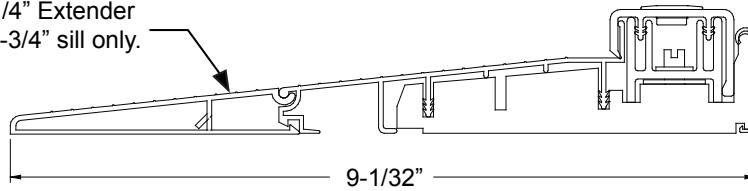
1" Extender
for 5-3/4" sill only.



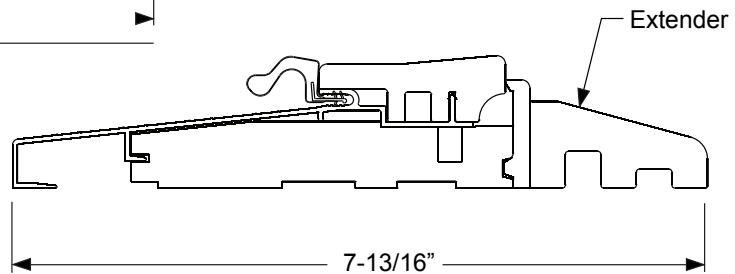
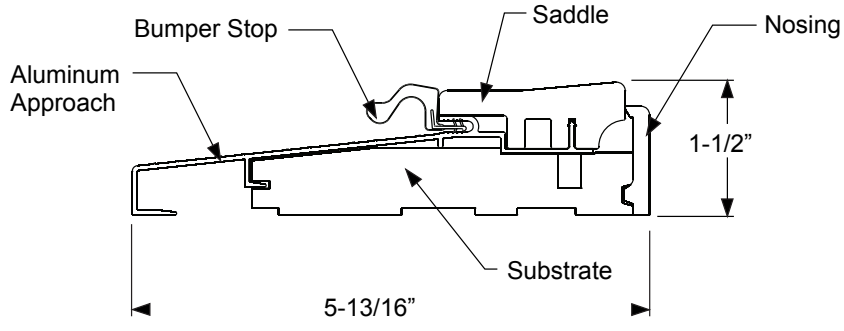
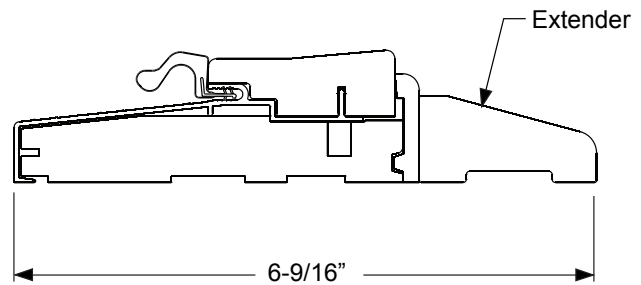
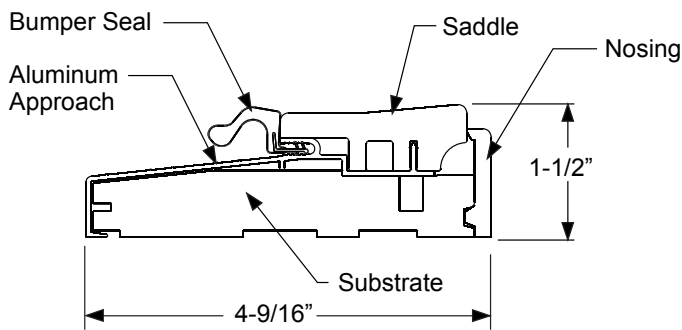
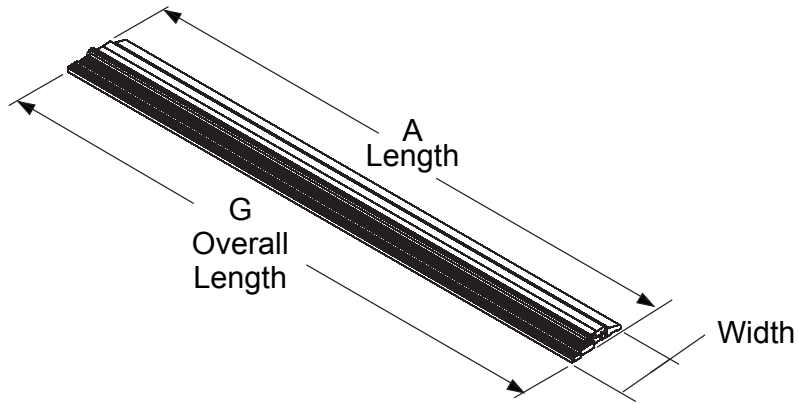
2" Extender
for 5-3/4" sill only.



3-1/4" Extender
for 5-3/4" sill only.



Sills



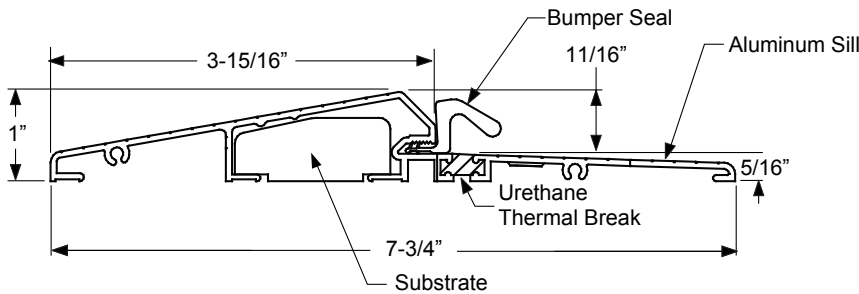
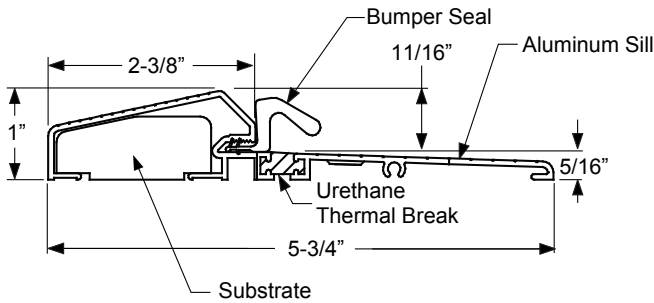
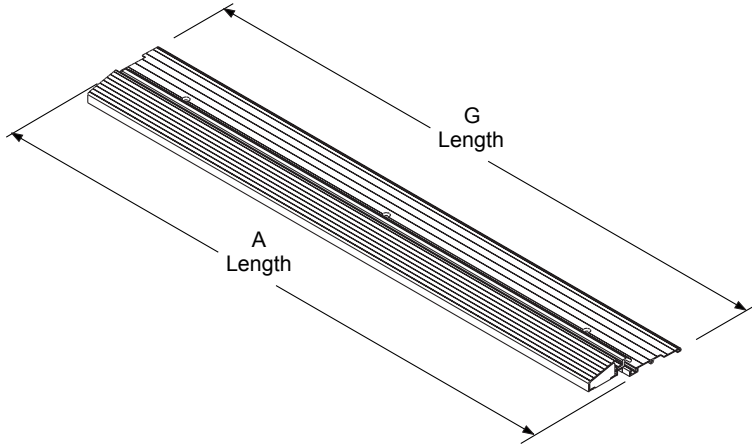
Sills

Composite Outswing Sill

		LENGTHS	"A" SILL LENGTH	"G" OVERALL LENGTH
SIDE LITES	-	10" SIDELITE	10.000	10.470
		12" SIDELITE	12.000	12.470
		14" SIDELITE	14.000	14.470
SINGLE	-	2/4 DOOR	28.156	28.626
		2/6 DOOR	30.156	30.626
		2/8 DOOR	32.156	32.626
		2/10 DOOR	34.156	34.626
		3/0 DOOR	36.156	36.626
		3/6 DOOR	42.156	42.626
		FRENCH	7/8" ASTRAGAL	4/0 DOUBLE 7/8" ASTRAGAL
4/8 DOUBLE 7/8" ASTRAGAL	57.062			57.532
5/0 DOUBLE 7/8" ASTRAGAL	61.062			61.532
5/4 DOUBLE 7/8" ASTRAGAL	65.062			65.532
5/8 DOUBLE 7/8" ASTRAGAL	69.062			69.532
6/0 DOUBLE 7/8" ASTRAGAL	73.062			73.532
7/0 DOUBLE 7/8" ASTRAGAL	85.062			85.532
TRIPLE	STANDARD MULLION			7/0 TRIPLE PATIO
		7/6 TRIPLE PATIO	92.468	92.938
		8/0 TRIPLE PATIO	98.468	98.938
		8/6 TRIPLE PATIO	104.468	104.938
		9/0 TRIPLE PATIO	110.468	110.938
TRIPLE	WIDE MULLION	7/0 TRIPLE PATIO	87.468	87.938
		7/6 TRIPLE PATIO	93.468	93.938
		8/0 TRIPLE PATIO	99.468	99.938
		8/6 TRIPLE PATIO	105.468	105.938
		9/0 TRIPLE PATIO	111.468	111.938
SINGLE W/ 1 SIDELITE	STANDARD MULLION	2/4 WITH 1-10" SIDELITE	39.156	39.626
		2/4 WITH 1-12" SIDELITE	41.156	41.626
		2/4 WITH 1-14" SIDELITE	43.156	43.626
		2/6 WITH 1-10" SIDELITE	41.156	41.626
		2/6 WITH 1-12" SIDELITE	43.156	43.626
		2/6 WITH 1-14" SIDELITE	45.156	45.626
		2/8 WITH 1-10" SIDELITE	43.156	43.626
		2/8 WITH 1-12" SIDELITE	45.156	45.626
		2/8 WITH 1-14" SIDELITE	47.156	47.626
		2/10 WITH 1-10" SIDELITE	45.156	45.626
		2/10 WITH 1-12" SIDELITE	47.156	47.626
		2/10 WITH 1-14" SIDELITE	49.156	49.626
		3/0 WITH 1-10" SIDELITE	47.156	47.626
		3/0 WITH 1-12" SIDELITE	49.156	49.626
		3/0 WITH 1-14" SIDELITE	51.156	51.626
		3/6 WITH 1-10" SIDELITE	53.156	53.626
		3/6 WITH 1-12" SIDELITE	55.156	55.626
		3/6 WITH 1-14" SIDELITE	57.156	57.626

		LENGTHS	"A" SILL LENGTH	"G" OVERALL LENGTH
SINGLE W/ 1 SIDELITE	WIDE MULLION	2/4 WITH 1-10" SIDELITE	39.656	40.126
		2/4 WITH 1-12" SIDELITE	41.656	42.126
		2/4 WITH 1-14" SIDELITE	43.656	44.126
		2/6 WITH 1-10" SIDELITE	41.656	42.126
		2/6 WITH 1-12" SIDELITE	43.656	44.126
		2/6 WITH 1-14" SIDELITE	45.656	46.126
		2/8 WITH 1-10" SIDELITE	43.656	44.126
		2/8 WITH 1-12" SIDELITE	45.656	46.126
		2/8 WITH 1-14" SIDELITE	47.656	48.126
		2/10 WITH 1-10" SIDELITE	45.656	46.126
		2/10 WITH 1-12" SIDELITE	47.656	48.126
		2/10 WITH 1-14" SIDELITE	49.656	50.126
		3/0 WITH 1-10" SIDELITE	47.656	48.126
		3/0 WITH 1-12" SIDELITE	49.656	50.126
		3/0 WITH 1-14" SIDELITE	51.656	52.126
		3/6 WITH 1-10" SIDELITE	53.656	54.126
		3/6 WITH 1-12" SIDELITE	55.656	56.126
3/6 WITH 1-14" SIDELITE	57.656	58.126		
SINGLE W/ 2 SIDELITES	STANDARD MULLION	2/4 WITH 2-10" SIDELITES	50.156	50.626
		2/4 WITH 2-12" SIDELITES	54.156	54.626
		2/4 WITH 2-14" SIDELITES	58.156	58.626
		2/6 WITH 2-10" SIDELITES	52.156	52.626
		2/6 WITH 2-12" SIDELITES	56.156	56.626
		2/6 WITH 2-14" SIDELITES	60.156	60.626
		2/8 WITH 2-10" SIDELITES	54.156	54.626
		2/8 WITH 2-12" SIDELITES	58.156	58.626
		2/8 WITH 2-14" SIDELITES	62.156	62.626
		2/10 WITH 2-10" SIDELITES	56.156	56.626
		2/10 WITH 2-12" SIDELITES	60.156	60.626
		2/10 WITH 2-14" SIDELITES	64.156	64.626
		3/0 WITH 2-10" SIDELITES	58.156	58.626
		3/0 WITH 2-12" SIDELITES	62.156	62.626
		3/0 WITH 2-14" SIDELITES	66.156	66.626
		3/6 WITH 2-10" SIDELITES	64.156	64.626
		3/6 WITH 2-12" SIDELITES	68.156	68.626
3/6 WITH 2-14" SIDELITES	72.156	72.626		
SINGLE W/ 2 SIDELITES	WIDE MULLION	2/4 WITH 2-10" SIDELITES	51.156	51.626
		2/4 WITH 2-12" SIDELITES	55.156	55.626
		2/4 WITH 2-14" SIDELITES	59.156	59.626
		2/6 WITH 2-10" SIDELITES	53.156	53.626
		2/6 WITH 2-12" SIDELITES	57.156	57.626
		2/6 WITH 2-14" SIDELITES	61.156	61.626
		2/8 WITH 2-10" SIDELITES	55.156	55.626
		2/8 WITH 2-12" SIDELITES	59.156	59.626
		2/8 WITH 2-14" SIDELITES	63.156	63.626
		2/10 WITH 2-10" SIDELITES	57.156	57.626
		2/10 WITH 2-12" SIDELITES	61.156	61.626
		2/10 WITH 2-14" SIDELITES	65.156	65.626
		3/0 WITH 2-10" SIDELITES	59.156	59.626
		3/0 WITH 2-12" SIDELITES	63.156	63.626
		3/0 WITH 2-14" SIDELITES	67.156	67.626
		3/6 WITH 2-10" SIDELITES	65.156	65.626
		3/6 WITH 2-12" SIDELITES	69.156	69.626
3/6 WITH 2-14" SIDELITES	73.156	73.626		

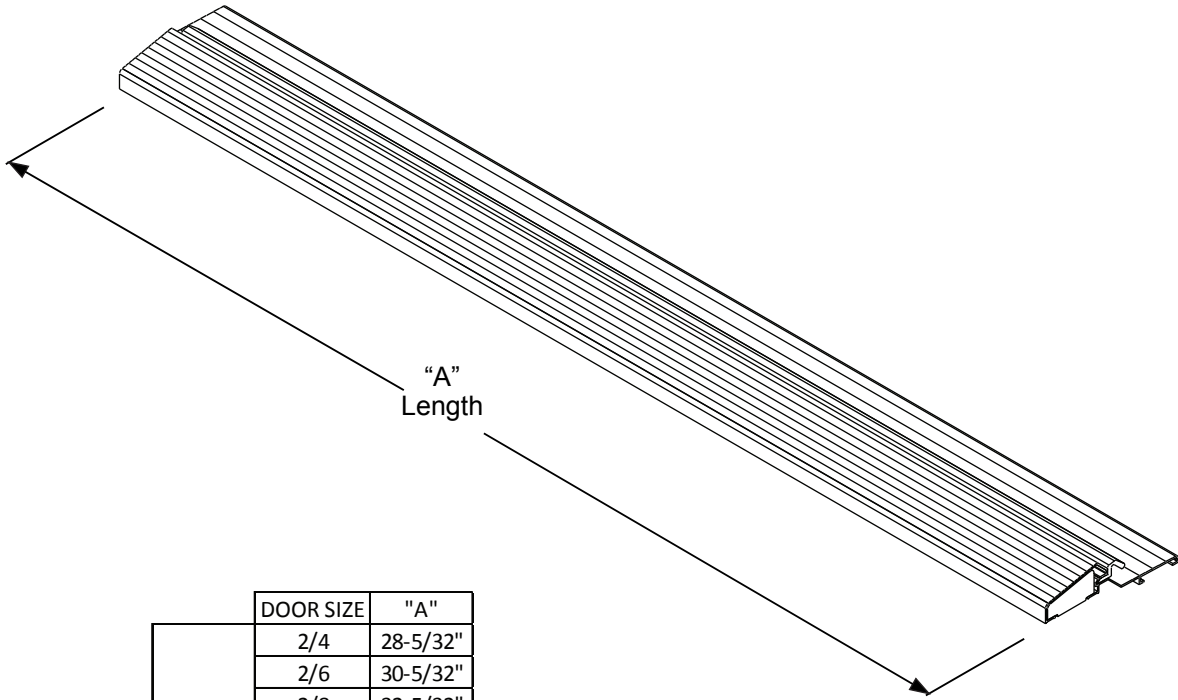
Sills



	DOOR SIZE	A	"C" (REF)	
SIDE LITES	12"	13.970	14.440	
	14"	15.970	16.440	
SINGLE DOORS	2/4	28.156	28.626	
	2/6	30.156	30.626	
	2/8	32.156	32.626	
	2/10	34.156	34.626	
	3/0	36.156	36.626	
	3/6	42.156	42.626	
	4/8	57.062	57.532	
DOUBLE DOORS WITH 7/8" ASTRAGAL	5/0	61.062	61.532	
	5/4	65.062	65.532	
	5/8	69.062	69.532	
	6/0	73.062	73.532	
	7/0	85.062	85.532	
	4/8 FOR MULTI-POINT	57.062	57.532	
	5/0 FOR MULTI-POINT	61.062	61.532	
	5/4 FOR MULTI-POINT	65.062	65.532	
	5/8 FOR MULTI-POINT	69.062	69.532	
	6/0 FOR MULTI-POINT	73.062	73.532	
	STANDARD	2/4 W/2-10" SIDELITES	50.156	50.626
		2/4 W/2-12" SIDELITES	54.156	54.626
		2/4 W/2-14" SIDELITES	58.156	58.626
		2/6 W/2-10" SIDELITES	52.156	52.626
2/6 W/2-12" SIDELITES		56.156	56.626	
2/6 W/2-14" SIDELITES		60.156	60.626	
2/8 W/2-10" SIDELITES		54.156	54.626	
2/8 W/2-12" SIDELITES		58.156	58.626	
2/8 W/2-14" SIDELITES		62.156	62.626	
3/0 W/2-10" SIDELITES		58.156	58.626	
3/0 W/2-12" SIDELITES		62.156	62.626	
3/0 W/2-14" SIDELITES		66.156	66.626	
2/4 W/1-10" SIDELITES		39.156	39.626	
2/4 W/1-12" SIDELITES		41.156	41.626	
2/4 W/1-14" SIDELITES		43.156	43.626	
2/6 W/1-10" SIDELITES		41.156	41.626	
2/6 W/1-12" SIDELITES		43.156	43.626	
2/6 W/1-14" SIDELITES		45.156	45.626	
2/8 W/1-10" SIDELITES		43.156	43.626	
2/8 W/1-12" SIDELITES		45.156	45.626	
2/8 W/1-14" SIDELITES	47.156	47.626		
3/0 W/1-10" SIDELITES	47.156	47.626		
3/0 W/1-12" SIDELITES	49.156	49.626		
3/0 W/1-14" SIDELITES	51.156	51.626		
CONTINUOUS				

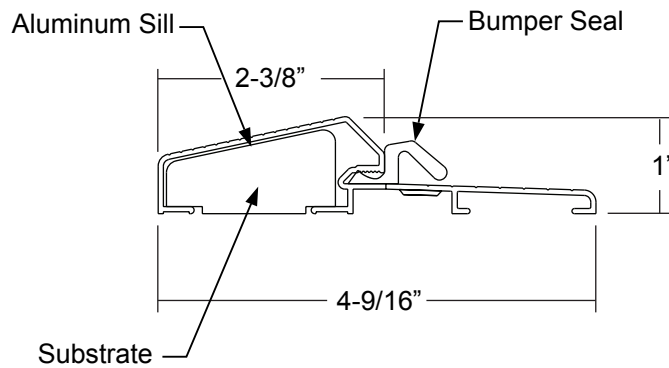
Sills

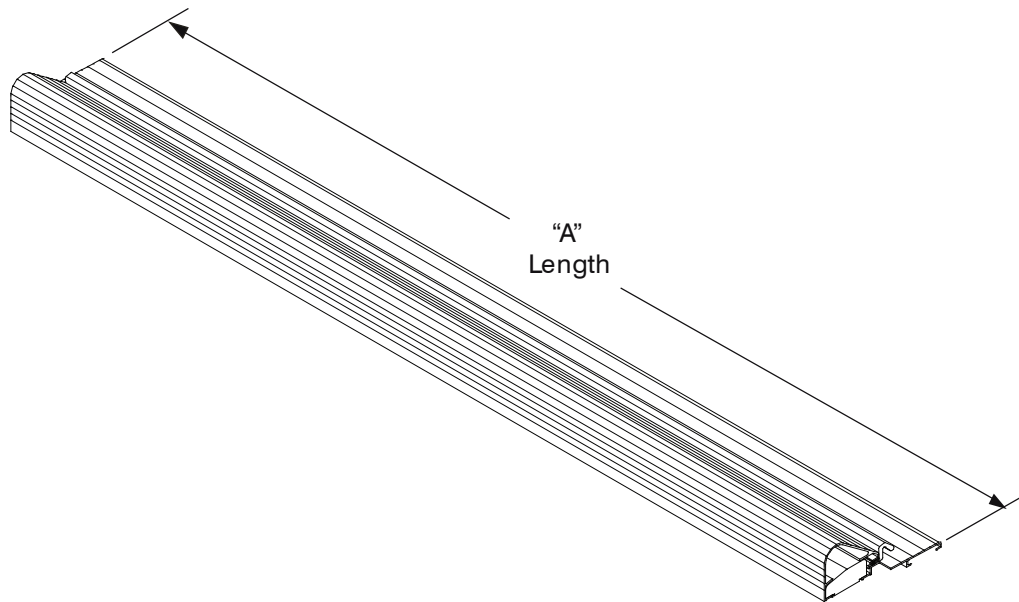
Outswing Sill - No Thermal Break



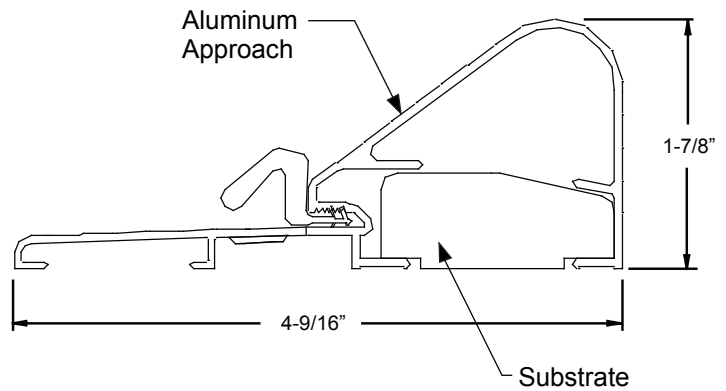
	DOOR SIZE	"A"
SINGLE	2/4	28-5/32"
	2/6	30-5/32"
	2/8	32-5/32"
	2/10	34-5/32"
	3/0	36-5/32"
	3/6	42-5/32"
FRENCH	4/8	57-1/16"
	5/0	61-1/16"
	5/4	65-1/16"
	5/8	69-1/16"
	6/0	73-1/16"
	7/0	85-1/16"

Sills



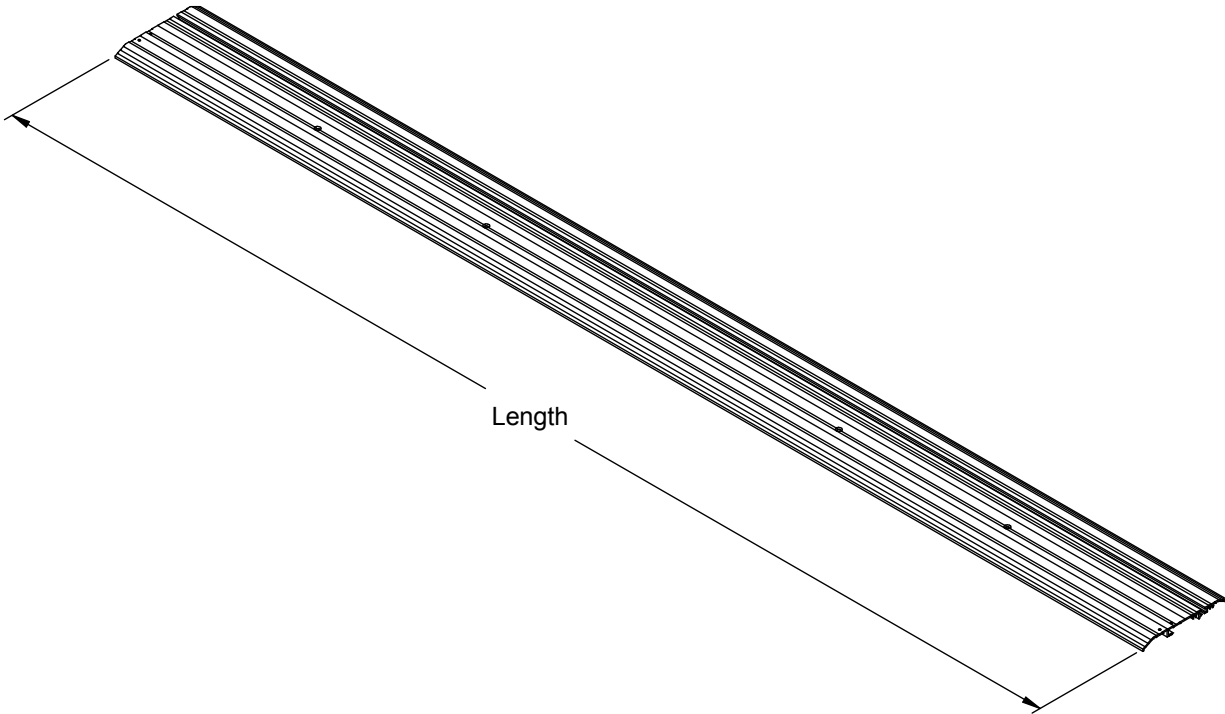


	SIZE	"A" LENGTH
SINGLE	24 = 2/4 DOOR	28.156
	26 = 2/6 DOOR	30.156
	28 = 2/8 DOOR	32.156
	21 = 2/10 DOOR	34.156
	30 = 3/0 DOOR	36.156
	36 = 3/6 DOOR	42.156
FRENCH	4/8 FRENCH WITH 7/8" ASTRAGAL	57.062
	5/0 FRENCH WITH 7/8" ASTRAGAL	61.062
	5/4 FRENCH WITH 7/8" ASTRAGAL	65.062
	5/8 FRENCH WITH 7/8" ASTRAGAL	69.062
	6/0 FRENCH WITH 7/8" ASTRAGAL	73.062
7/0 FRENCH WITH 7/8" ASTRAGAL	85.062	



Sills

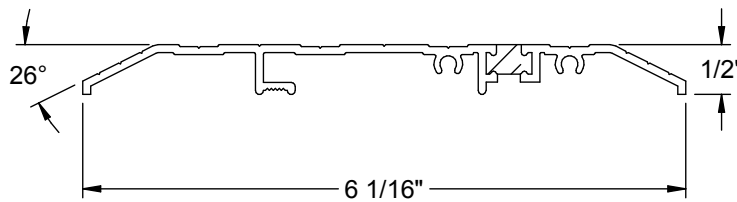
Public Access Sill - Thermal Break



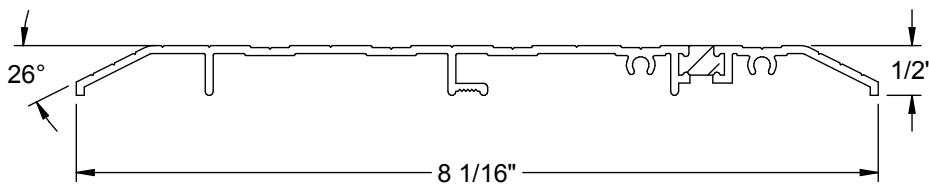
Sills

Single Units	
Size	Length
3/0	36.156"

French Units	
Size	Length
6/0	73.063"

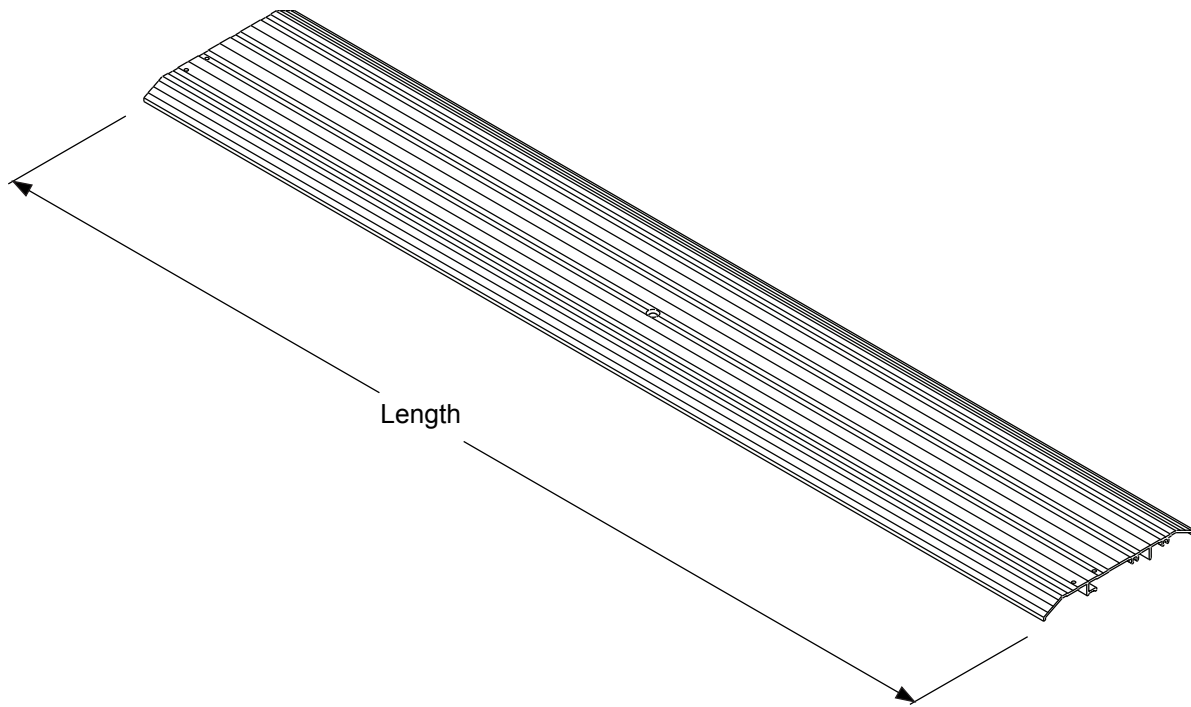


For use with
4 9/16" Jambs



For use with
6 9/16" Jambs

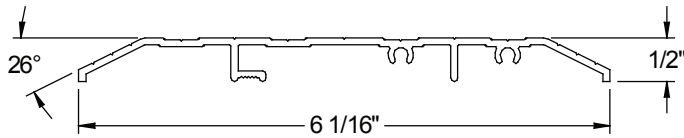
Use for both inswing and outswing applications



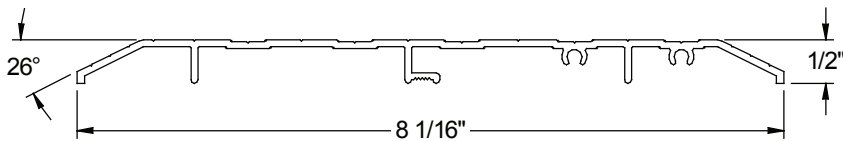
Single Units	
Size	Length
3/0	36.156"

French Units	
Size	Length
6/0	73.063"

Sills



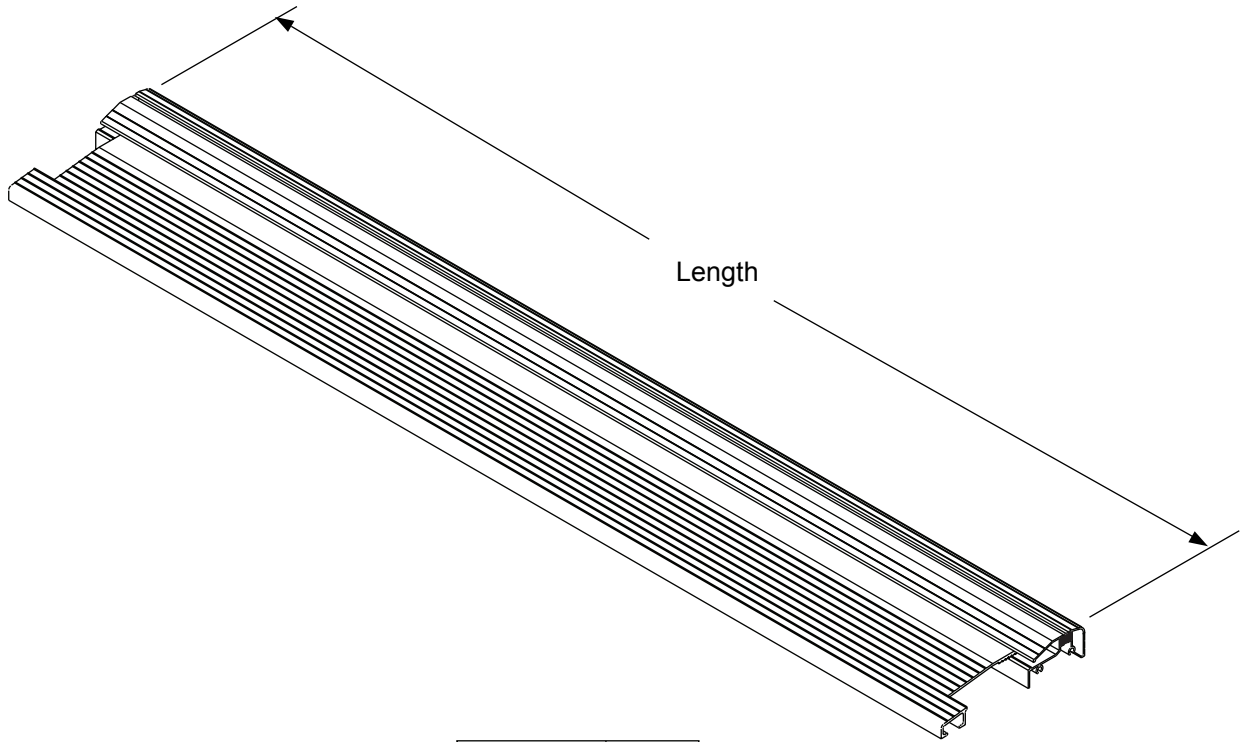
For use with
4 9/16" Jamba



For use with
6 9/16" Jamba

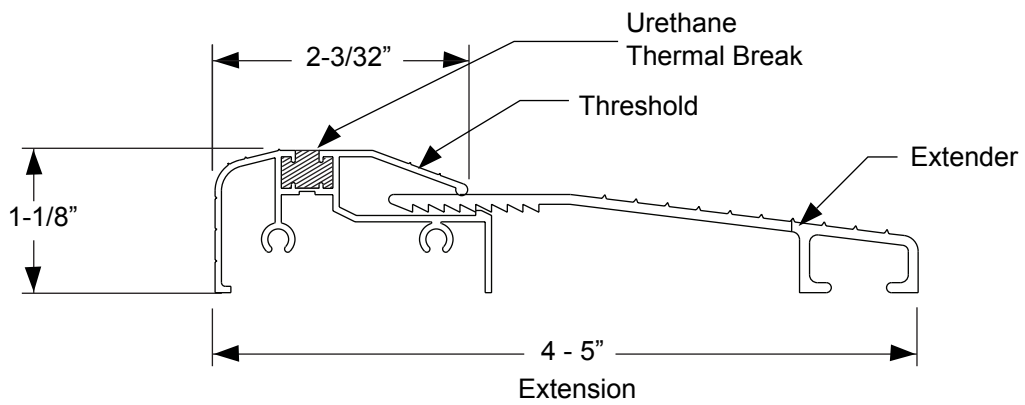
Use for both inswing and outswing applications.

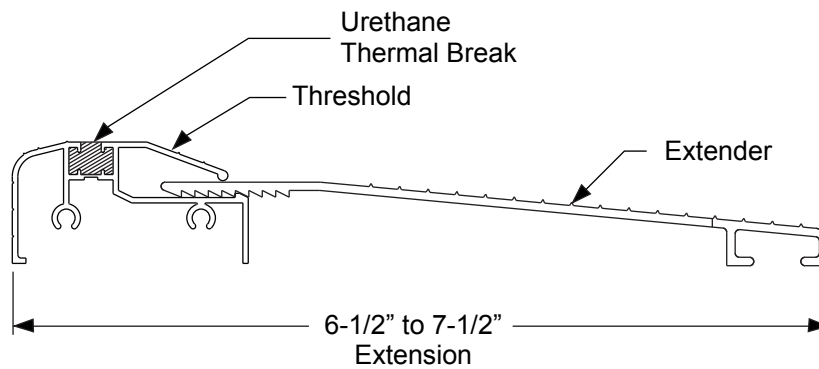
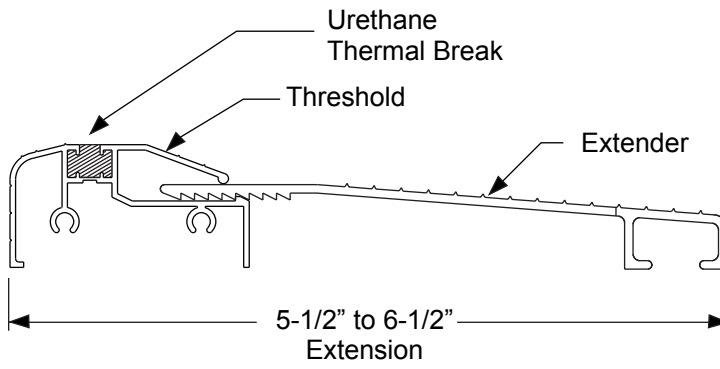
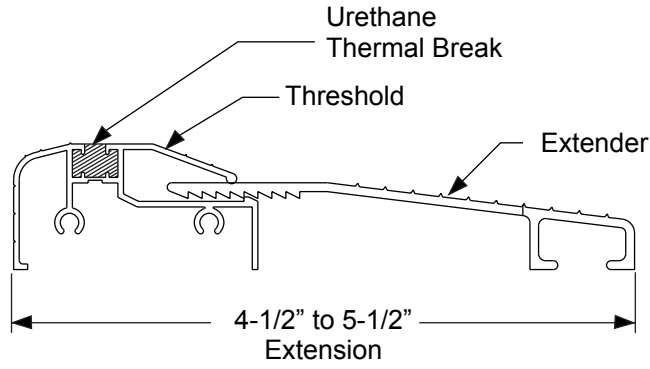
Adjusta-Fit[®] 2 Inswing Sill



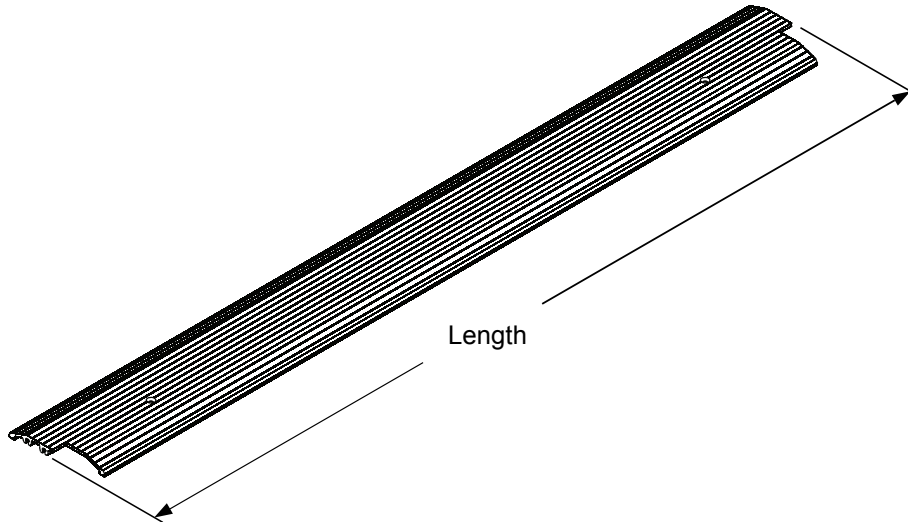
DESCRIPTION	LENGTH
3/6 BASE SILL	42.156"
3/0 BASE SILL	36.156"
2/10 BASE SILL	34.156"
2/8 BASE SILL	32.156"
2/6 BASE SILL	30.156"
2/4 BASE SILL	28.156"
2/0 BASE SILL	24.156"

Sills



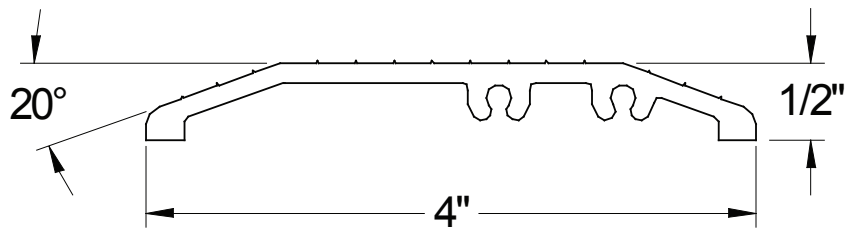


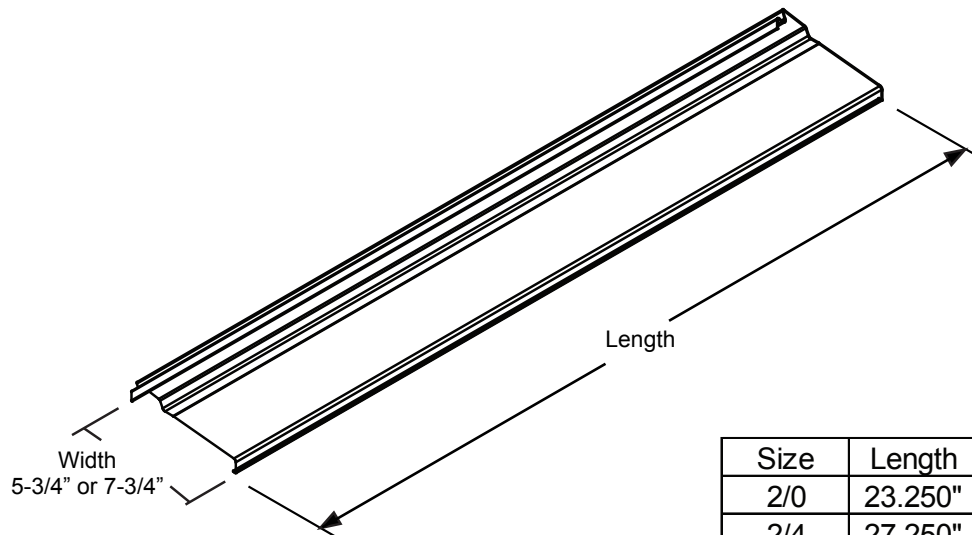
Sills



Sills

DESCRIPTION	A
3/6 ADA SILL FOR STANDARD STEEL FRAMES	42.156
3/0 ADA SILL FOR STANDARD STEEL FRAMES	36.156
2/10 ADA SILL FOR STANDARD STEEL FRAMES	34.156
2/8 ADA SILL FOR STANDARD STEEL FRAMES	32.156
2/6 ADA SILL FOR STANDARD STEEL FRAMES	30.156
2/4 ADA SILL FOR STANDARD STEEL FRAMES	28.156
2/0 ADA SILL FOR STANDARD STEEL FRAMES	24.156



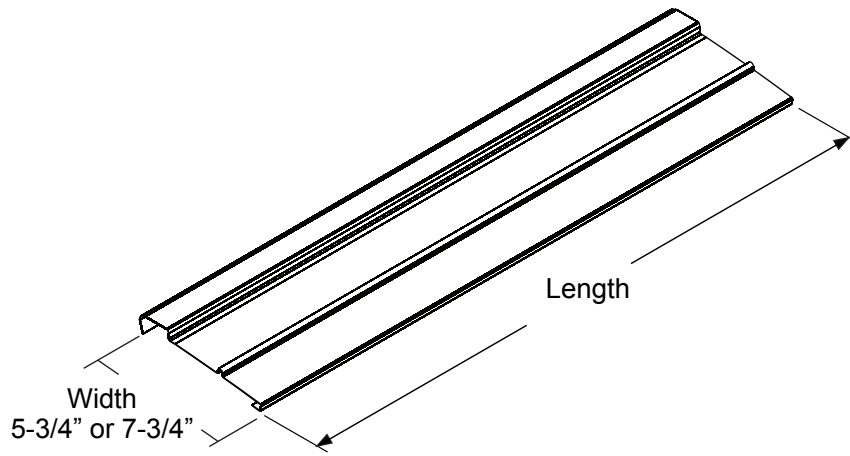


For Use With:
Basic Fixed Sills
Moderate Climate Sills

Size	Length
2/0	23.250"
2/4	27.250"
2/6	29.250"
2/8	31.250"
2/10	33.250"
3/0	35.250"
3/6	41.250"

Sills

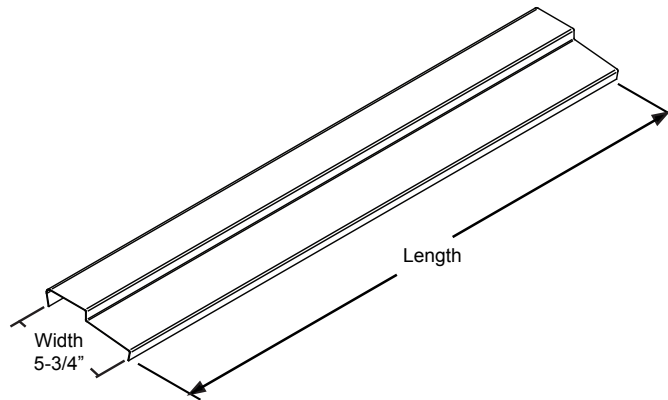
Inswing Adjustable Sill Cover



Size	Length
2/4	26.500"
2/6	28.500"
2/8	30.500"
2/10	32.500"
3/0	34.500"

For Use With:
Composite Adjustable Sills
Basic Composite Adjustable Sills
Hardwood Adjustable Sills

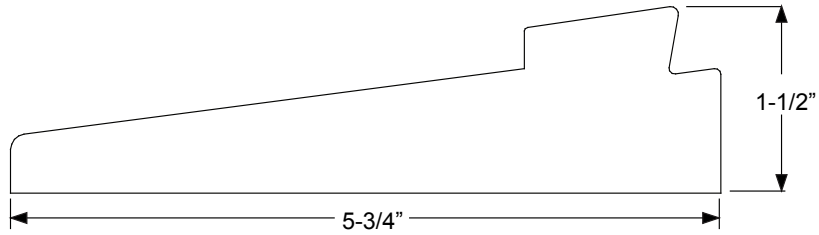
Sills



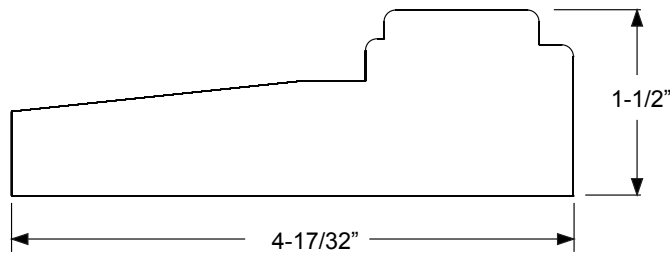
For Use With:
Outswing Composite Sills

Size	Length
2/4	26.500"
2/6	28.500"
2/8	30.500"
2/10	32.500"
3/0	34.500"

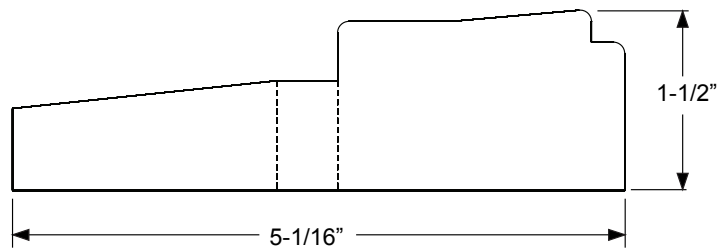
Sills



End Seal Pad - Basic Fixed Sills



**End Seal Pad - Composite/Hardwood Adjustable and Fixed Inswing Sills
Basic Composite Adjustable Inswing Sills**



End Seal Pad - Composite/Hardwood Outswing Sills