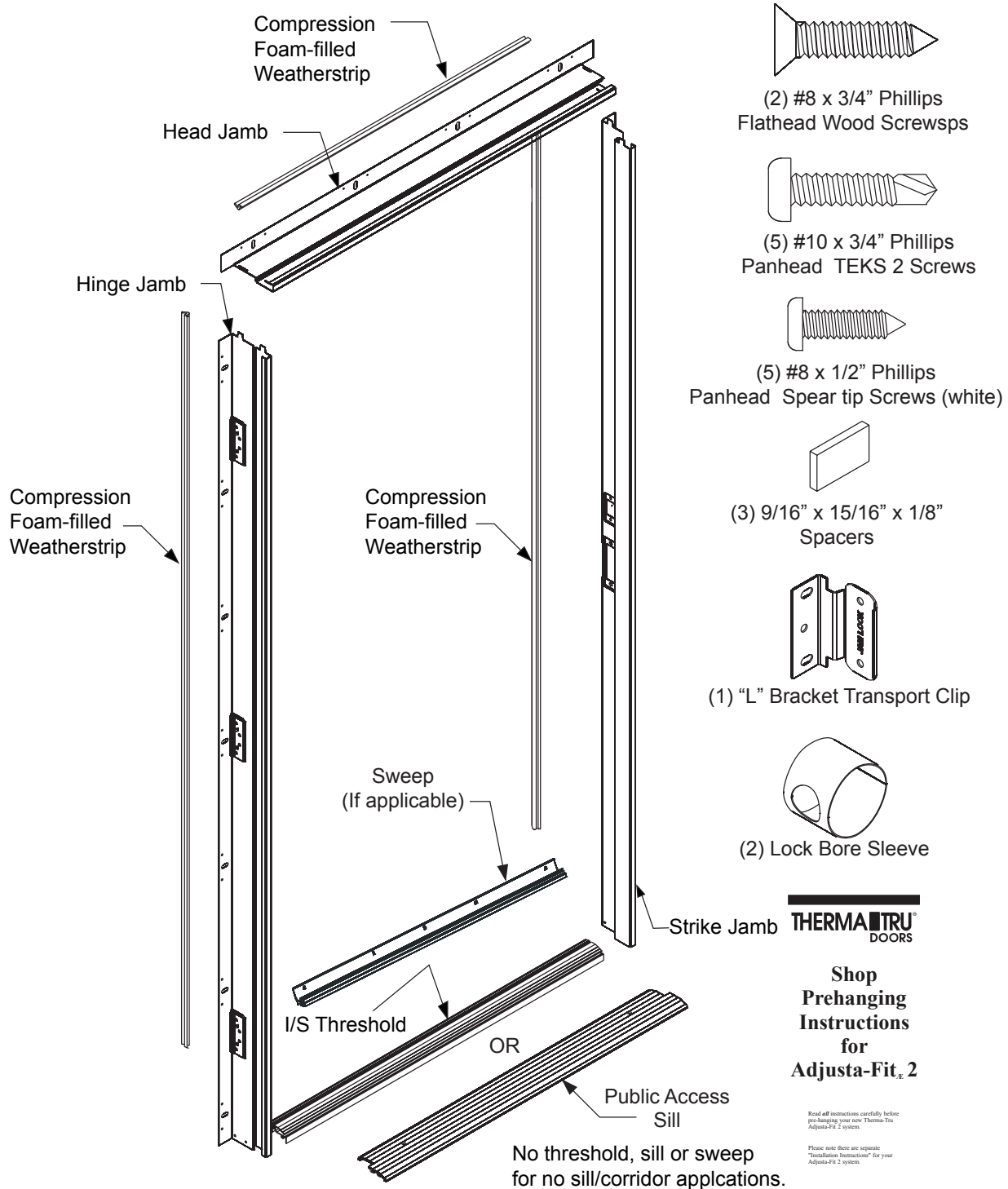


Adjusta-Fit® 2 Frame Shop Package ..... 7.3  
Adjusta-Fit® 2 Frame Field Package ..... 7.4

Frame Packages

Frame Packages



Frame Packages



**Shop Prehanging Instructions for Adjusta-Fit<sub>x</sub> 2**

Read all instructions carefully before prehanging your new Thermo-Tru Adjusta-Fit 2 system.

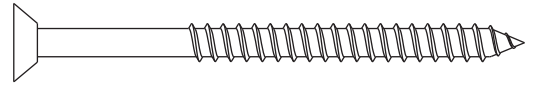
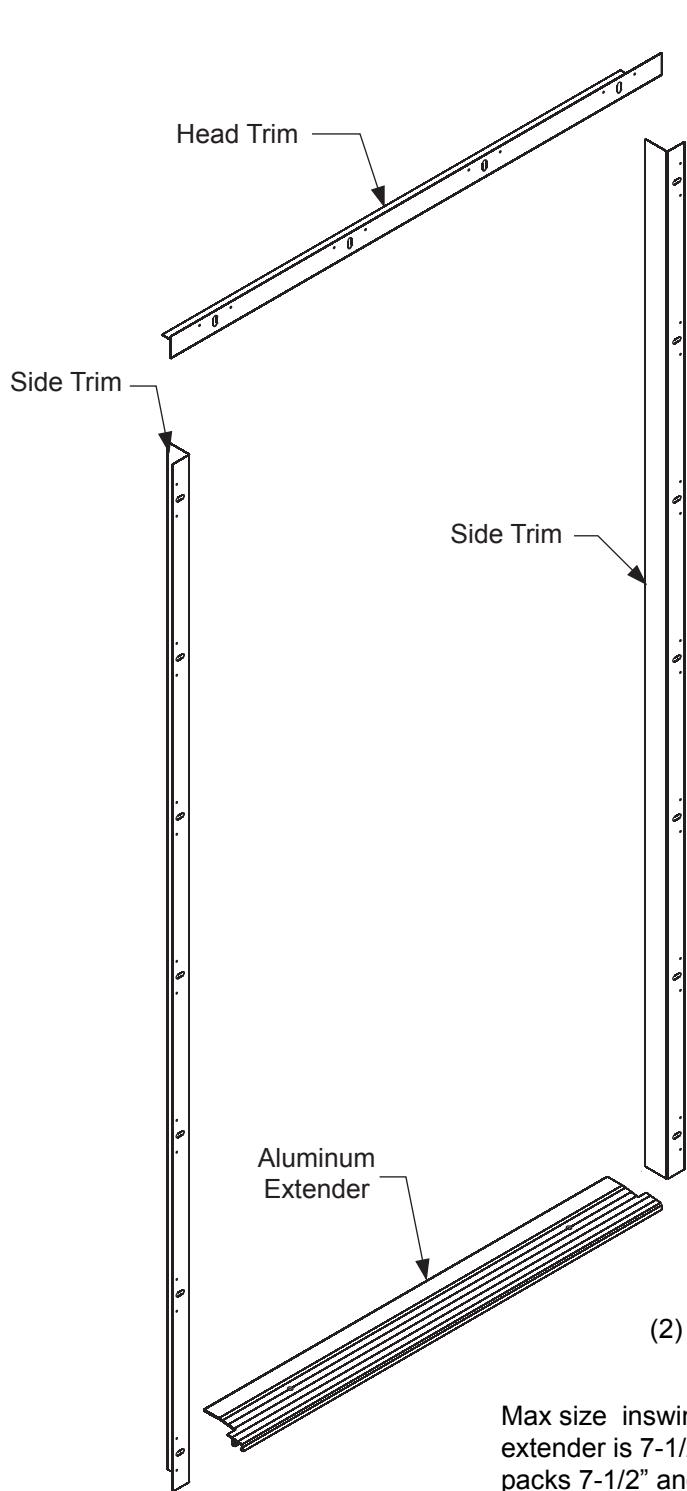
Please note there are separate "Installation Instructions" for your Adjusta-Fit 2 system.

For information on where to purchase Thermo-Tru entry door systems, call 1-800-THERMA TRU (843-7428) or visit [www.thermatru.com](http://www.thermatru.com)

- Package includes: Side Jambs Bracket  
Head Jamb Instructions  
Weatherstrip Spacers  
Fasteners  
Threshold (if applicable)  
Sweep (if applicable)

No threshold, sill or sweep for no sill/corridor applications.

# Adjusta-Fit<sup>®</sup> 2 Frame Field Package



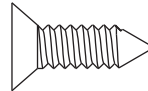
(6) #10 x 2-1/2" Phillips Flathead Screws



(2) #8 x 1-1/4" Phillips Flathead Screws



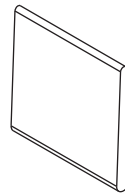
(2) #8 x 3/4" Phillips Flathead Wood Screws



(2) #12-24 x 3/4" Phillips Flathead Type "A" Machine Screw



Deadbolt Cover (Door)  
1-1/8" x 2-1/4"



(2) Jamb Seal Pads



Deadbolt Cover (Frame)  
1-1/8" x 2-3/4"



Converter Plate



(2) 1-1/8" x 2-1/4" Deadbolt Filler



(2) #8-32 x 3/8" Screw Type "F"

Max size inswing sill depth with extender is 7-1/2", inswing field packs 7-1/2" and larger contain 6-1/2" - 7-1/2" sill extender.

No extender for public access sill.

No sill/corridor applications.

Package includes: Side Trim Lock & Deadbolt Inserts  
Head Trim Jamb Seal Pads  
Aluminum Extender (if applicable)  
Fasteners Instructions  
Sweep (if applicable)



## Site Installation Instructions for Adjusta-Fit<sup>®</sup> 2

Read all instructions carefully before installing your new Thermo-Tru Adjusta-Fit 2 system.

Please note there are separate "Prehanging Instructions" to be reviewed and followed prior to completing the installation.

CAUTION: Building codes may vary from area to area. If a fire rating is required of the door and opening being fitted, the installer must use installation materials and methods to satisfy the authority having jurisdiction. Thermo-Tru provides labels for products, but bears no responsibility for installation.