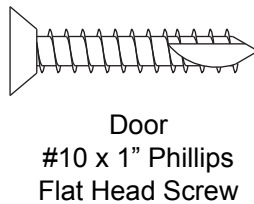
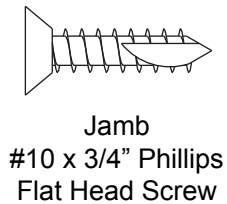
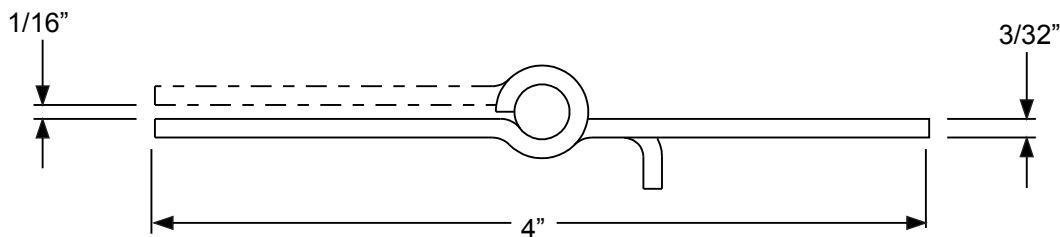
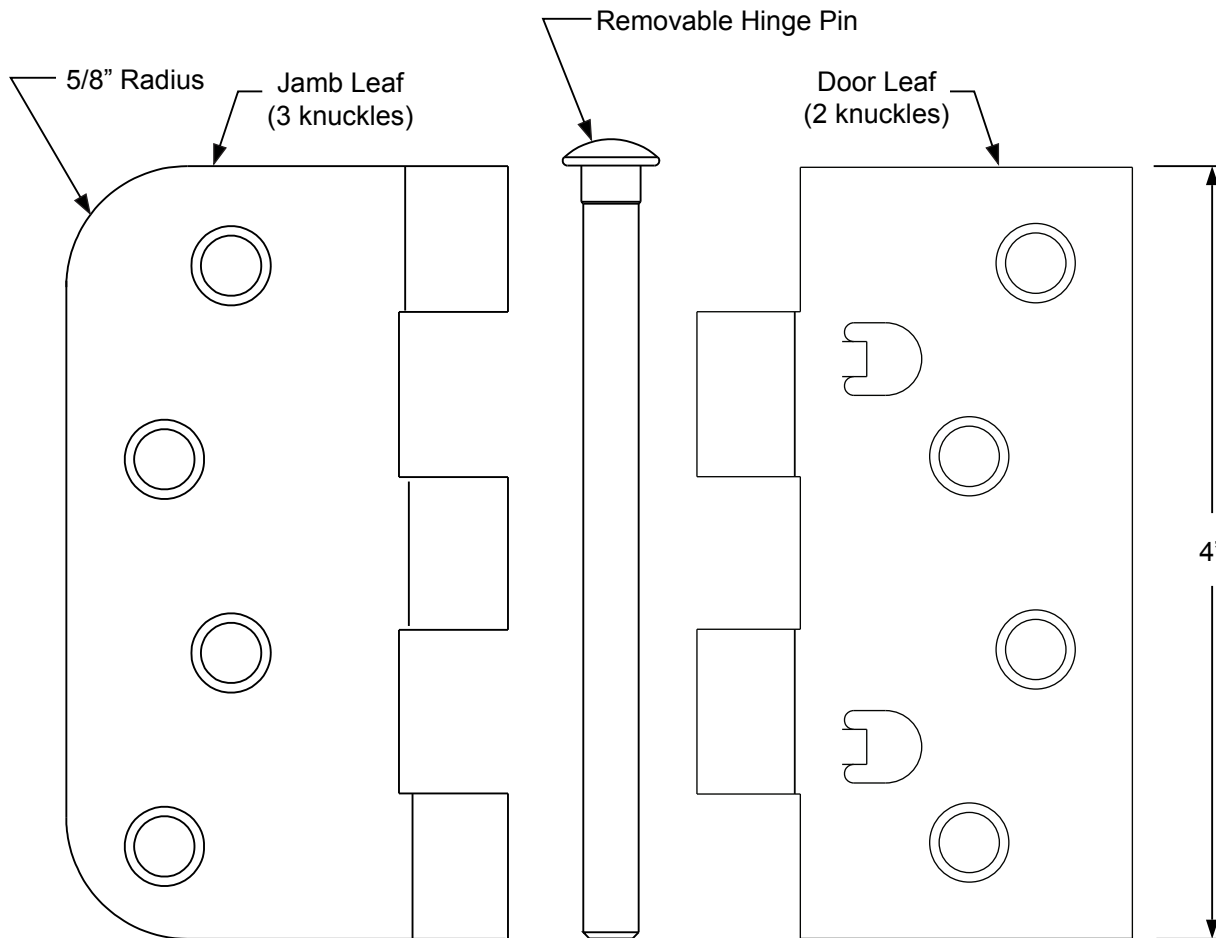


Standard Self-Aligning Hinge.....	10.3
Standard Self-Aligning Hinge with Security Tab .....	10.4
Adjustable Hinge .....	10.5
UL Listed Spring Hinge.....	10.6
Ball Bearing Hinge.....	10.7
Self Aligning NRP (Riveted) Pin Hinge .....	10.8
Classic-Craft Ball Bearing Hinge .....	10.9
Strike Plates .....	10.10
French Inswing Multi-Point Lock Shootbolt System Strike Plates .....	10.11
Lever Style Multi-Point Lock Tongue System Strike Plates .....	10.13
Grip Style Multi-Point Lock Tongue System Strike Plates .....	10.14
Vented Sidelite Multi-Point Lock Tongue System Strike Plates.....	10.15
Lever Style Multi-Point Lock - Gears & Extensions .....	10.16
Grip Style Multi-Point Lock - Gears & Extensions .....	10.19
Vented Sidelite Multi-Point Lock - Gears & Extensions.....	10.20
Lever Style Multi-Point Lock - Handle / Trim.....	10.21
Grip Style Multi-Point Lock - Handle / Trim.....	10.23
Vented Sidelite Multi-Point Lock - Handle / Trim .....	10.24
Lever Style 45mm Multi-Point Lock - Handle / Trim .....	10.25
Lever Style 60mm Multi-Point Lock - Handle / Trim .....	10.26
Grip Style 60mm Multi-Point Lock - Handle / Trim .....	10.27
Rustic Hardware .....	10.28
Rain Deflector (Inswing) / Rain Guard (Outswing) .....	10.29

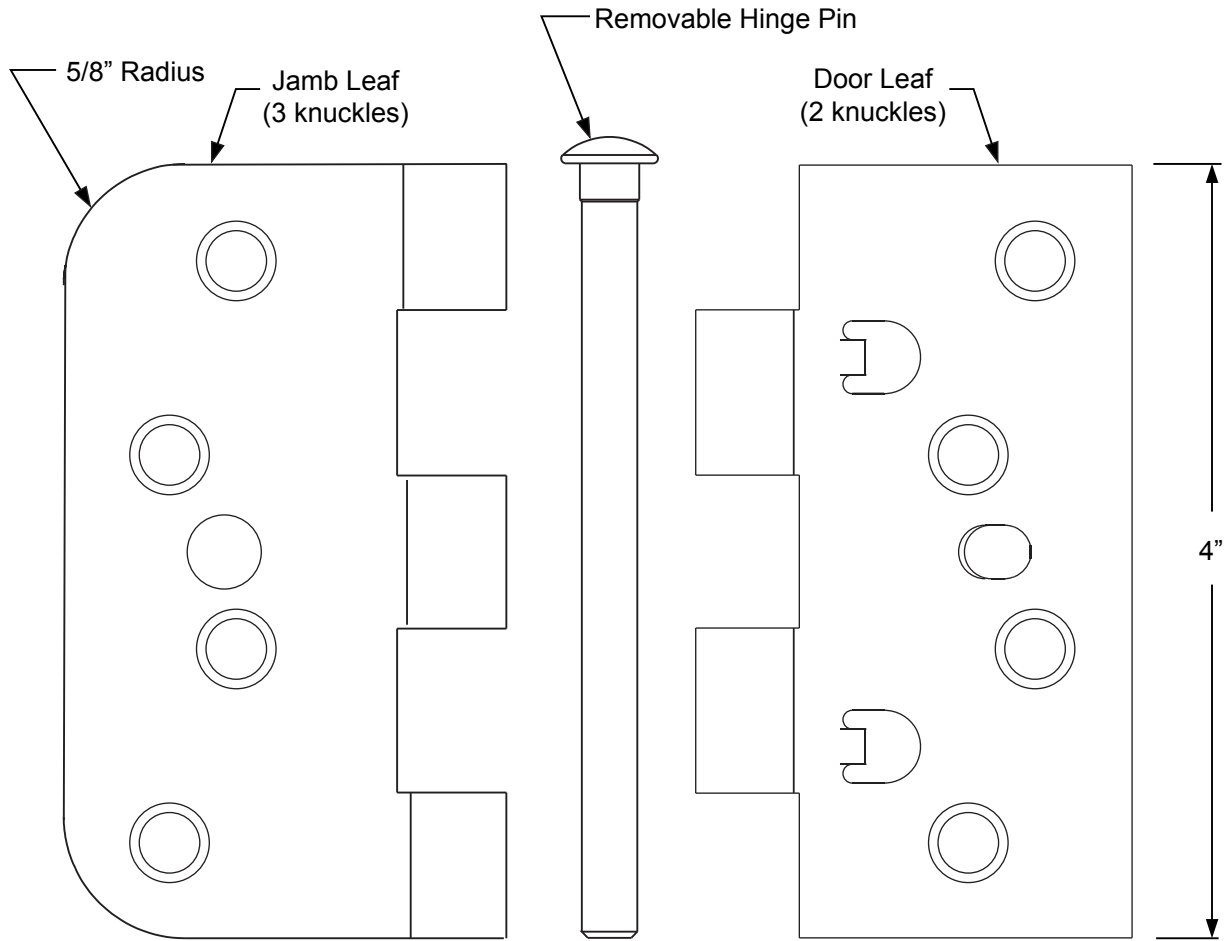
Hardware



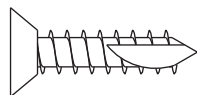
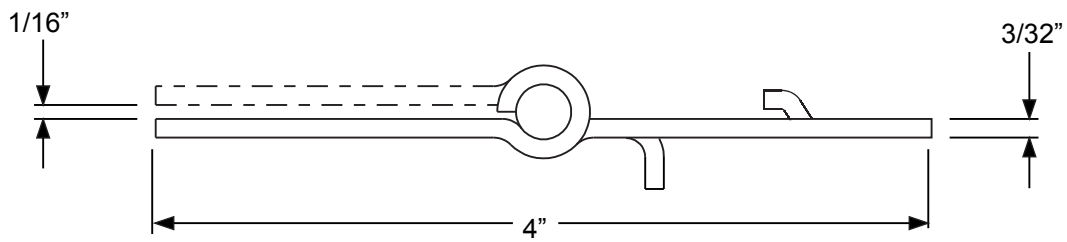


Hardware

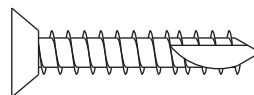
# Standard Self-Aligning Hinge with Security Tab



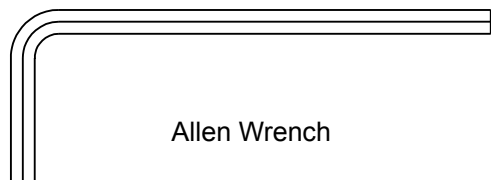
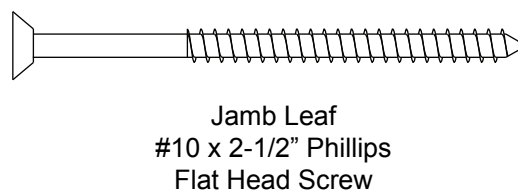
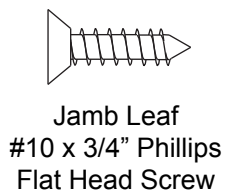
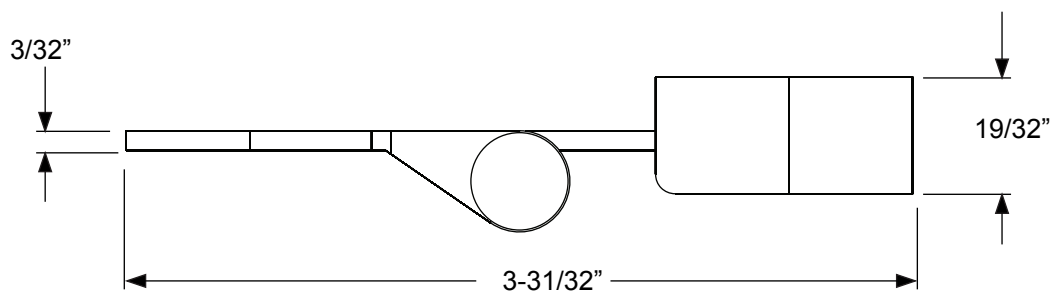
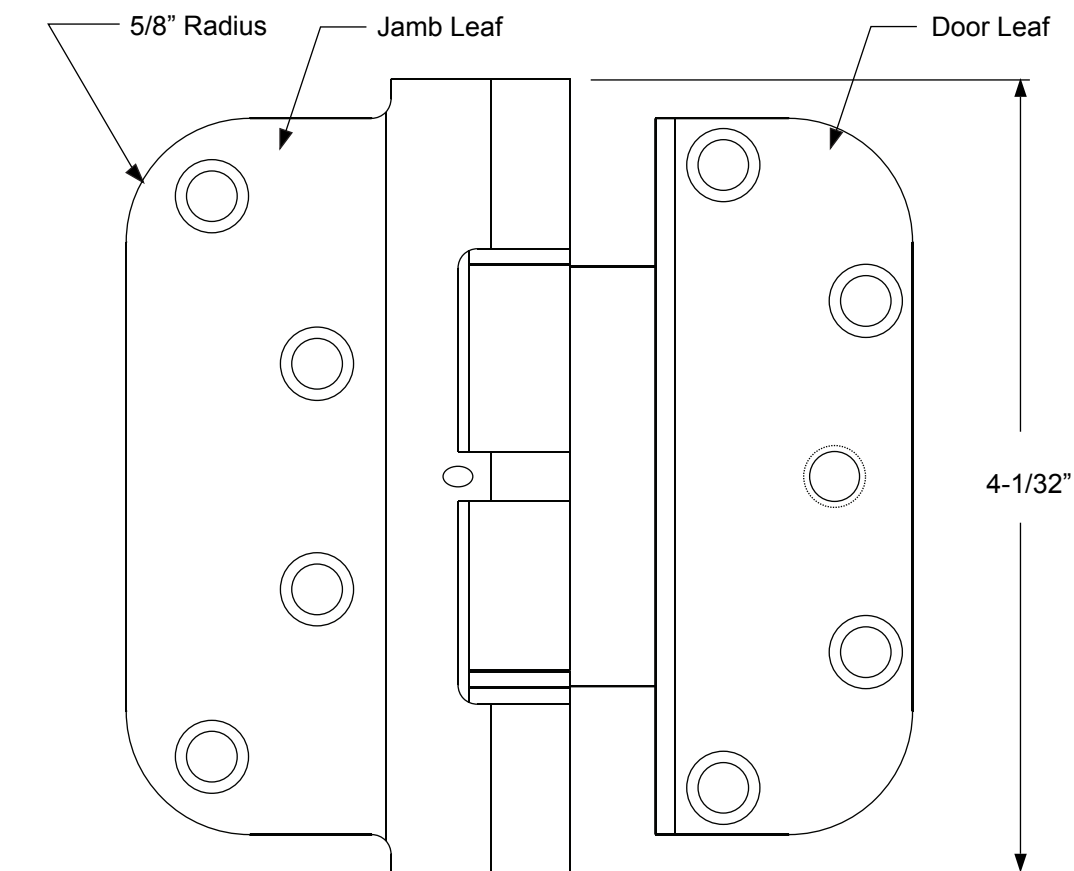
Hardware



Jamb  
#10 x 3/4" Phillips  
Flat Head Screw



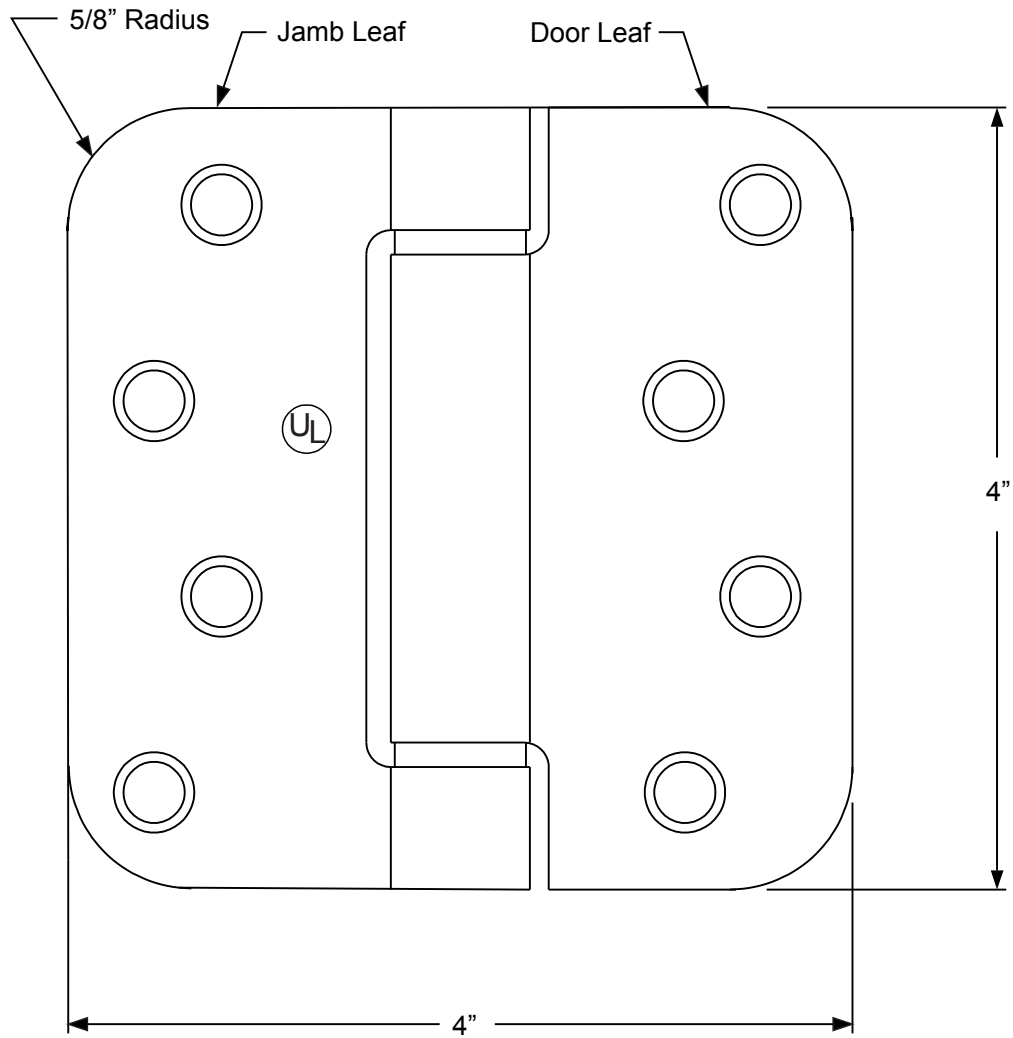
Door  
#10 x 1" Phillips  
Flat Head Screw



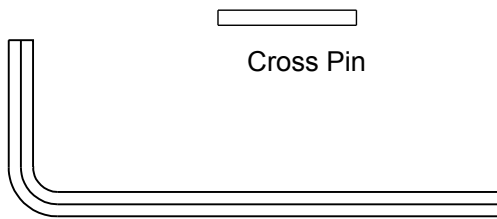
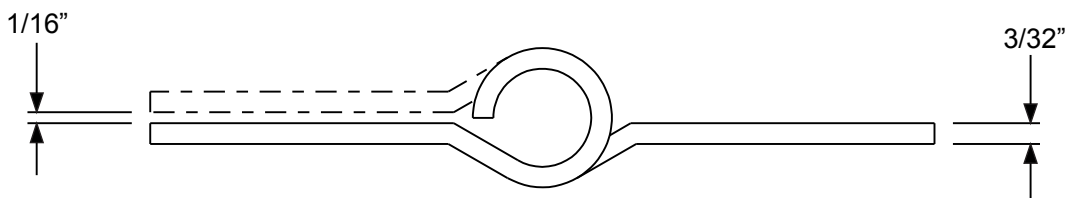
Screws and Allen Wrench are sold separately

Hardware

# UL Listed Spring Hinge

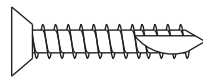


Hardware

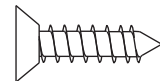


Cross Pin

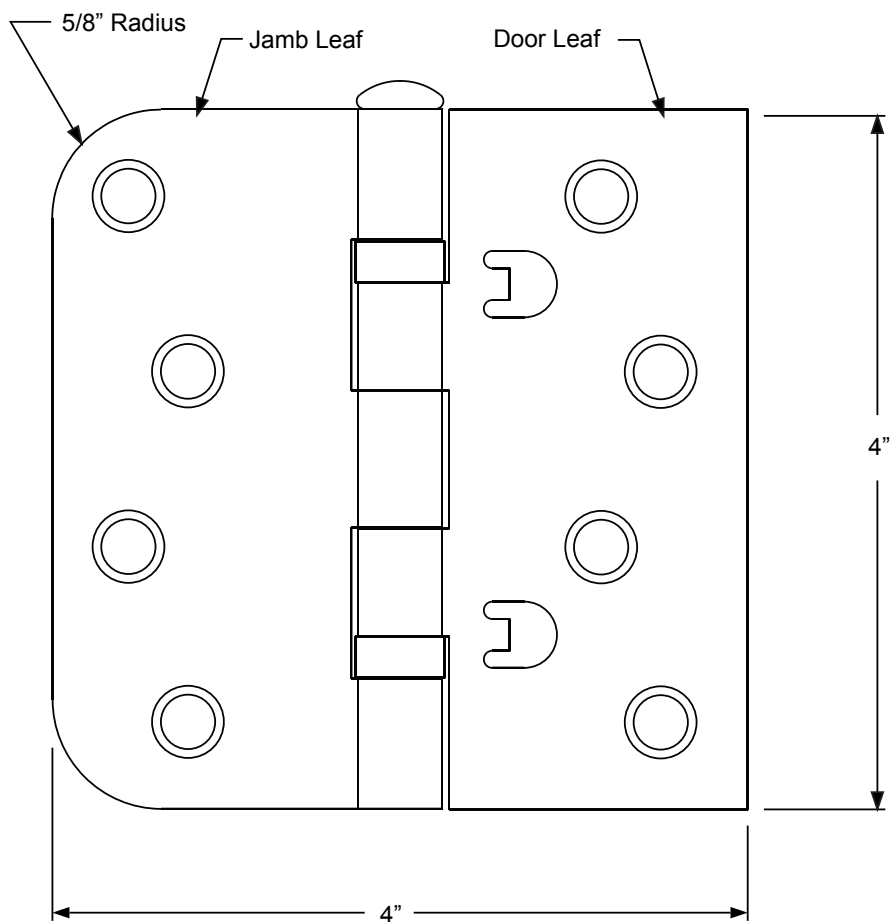
Allen Wrench



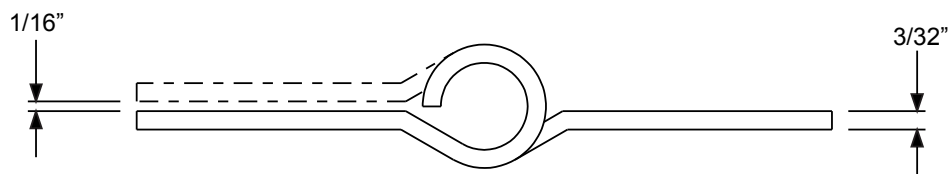
#10 x 1" Phillips  
Flat Head Screw



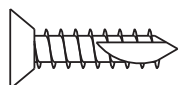
Jamb Leaf  
#10 x 3/4" Phillips  
Flat Head Screw



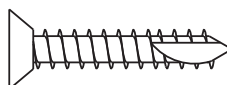
Left-hand shown,  
Right-hand opposite



Hardware

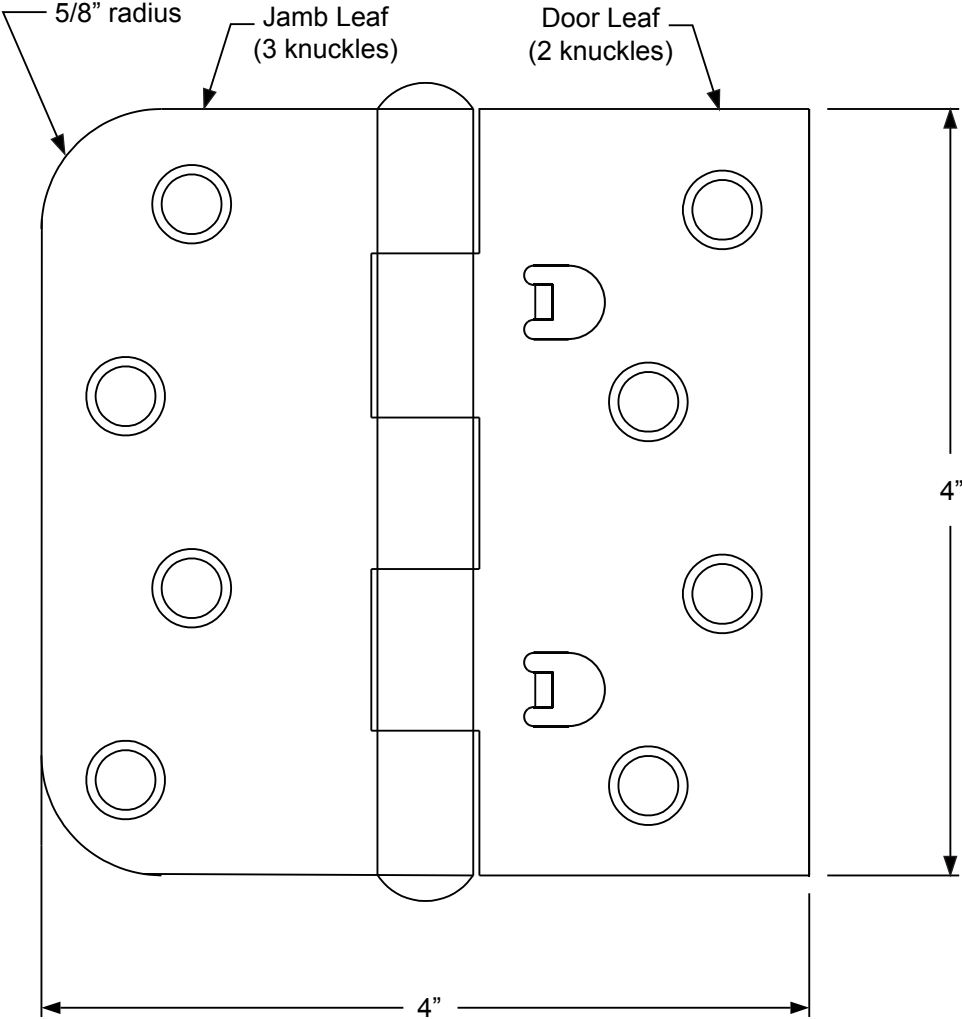


Jamb  
#10 x 3/4" Phillips  
Flat Head Screw

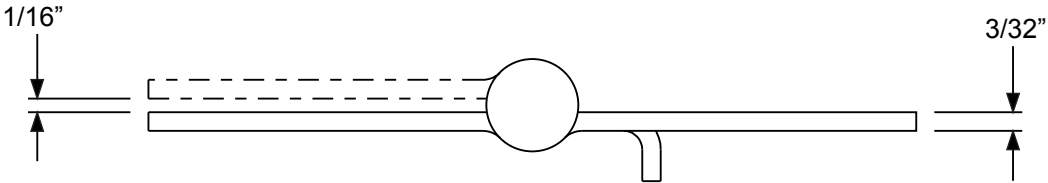


Door  
#10 x 1" Phillips  
Flat Head Screw

**Self Aligning NRP (Riveted) Pin Hinge**



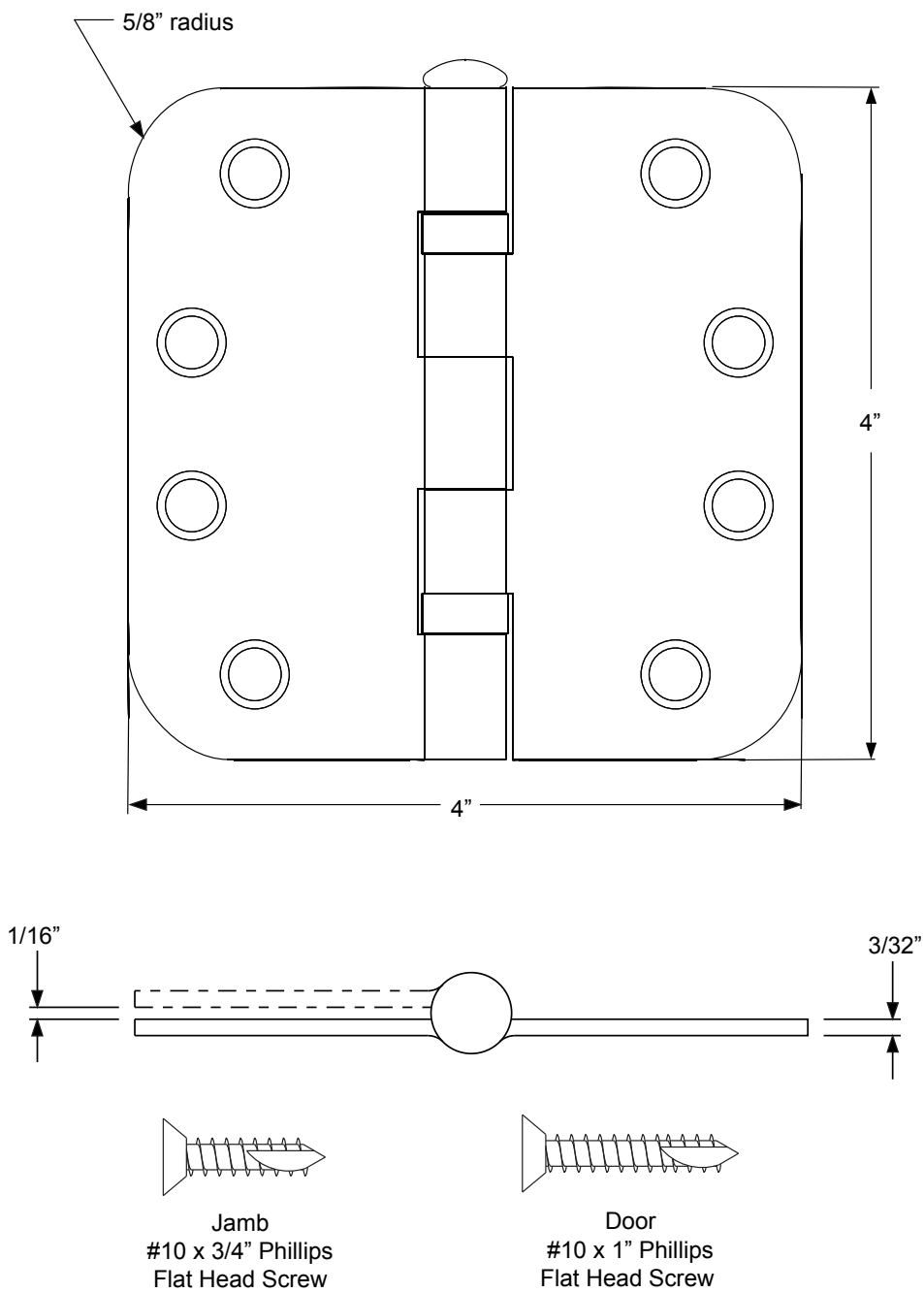
Hardware



Jamb  
#10 x 3/4" Phillips  
Flat Head Screw

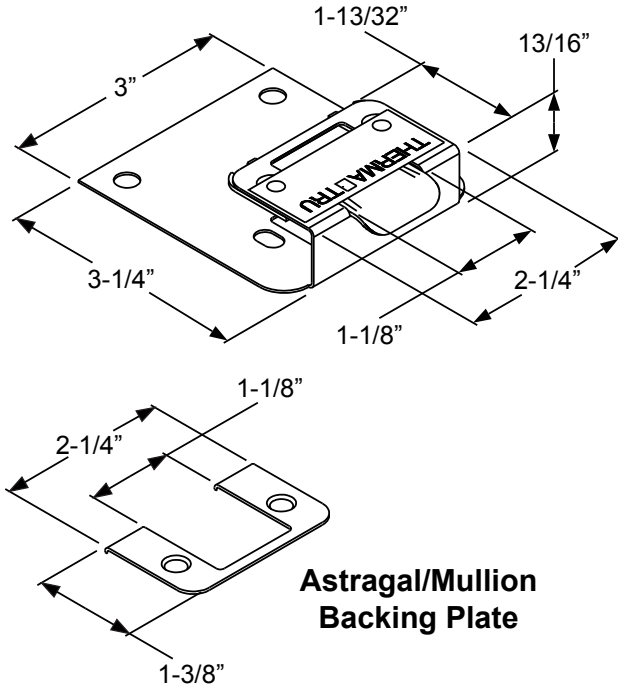
Wood Edge Door  
#10 x 1" Phillips  
Flat Head Screw



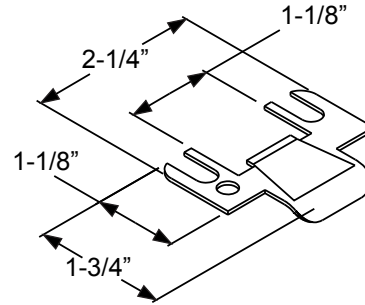


Hardware

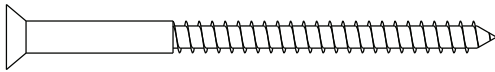
**Strike Plates**



**2-1/8" Rabbet Adjustable Security Strike Assembly**  
(Supplied with backing label, backing plate, & strike plate)



**Adjustable Strike Plate**  
(supplied with backing plates)



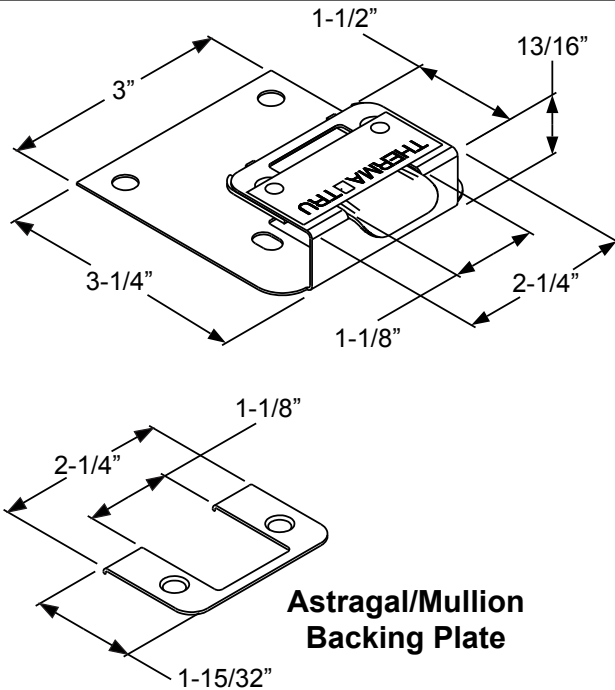
**Security Strike Screw**  
#8 x 2-1/2" Phillips Flathead Screw  
(Purchased Separately)



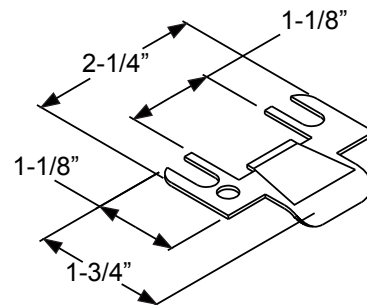
**Jamb**  
#10 x 3/4" Phillips Flat Head Screw



**Astragal/Mullion**  
#8 x 1-1/2" Phillips Flathead Screw  
(Supplied with Astragal/Mullion backing plate)

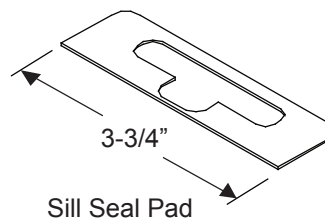
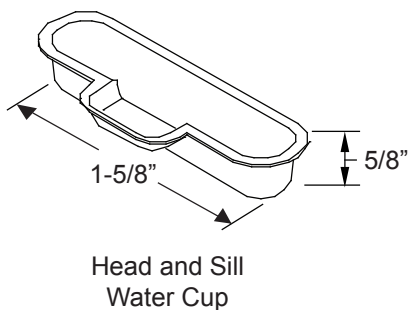
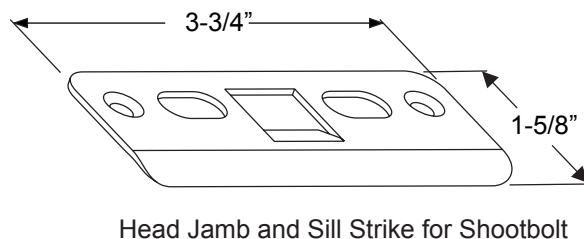
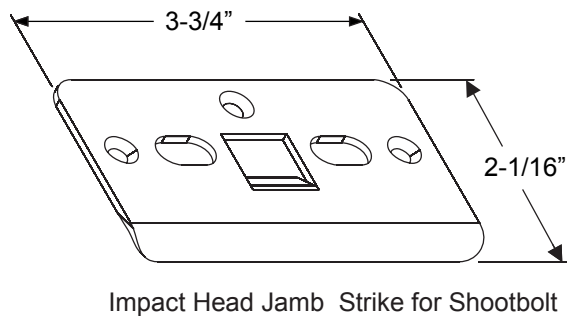
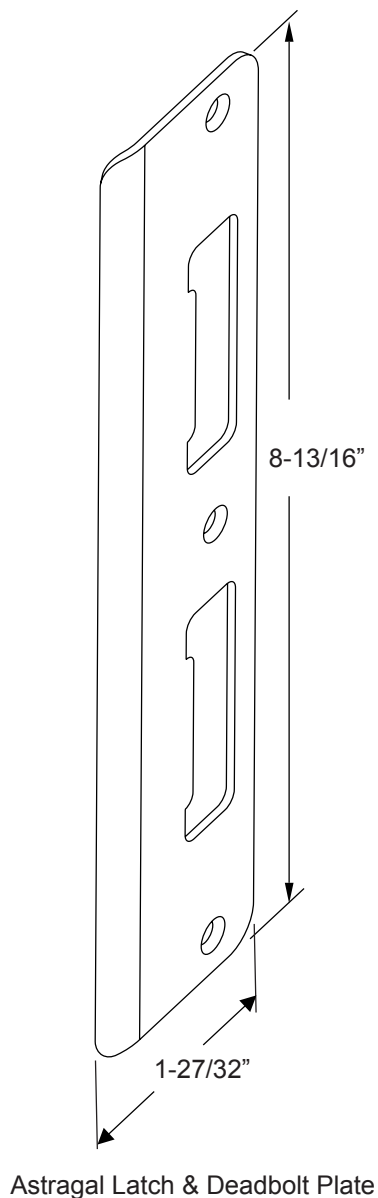


**2-3/16" Rabbet Adjustable Security Strike Assembly**  
(Supplied with backing label, backing plate, & strike plate)

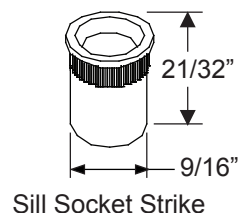
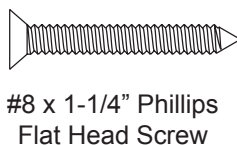
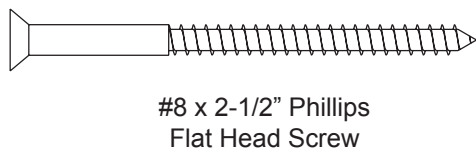
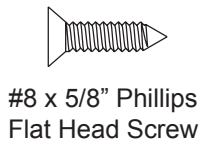


**Adjustable Strike Plate**  
(Supplied with backing plates)

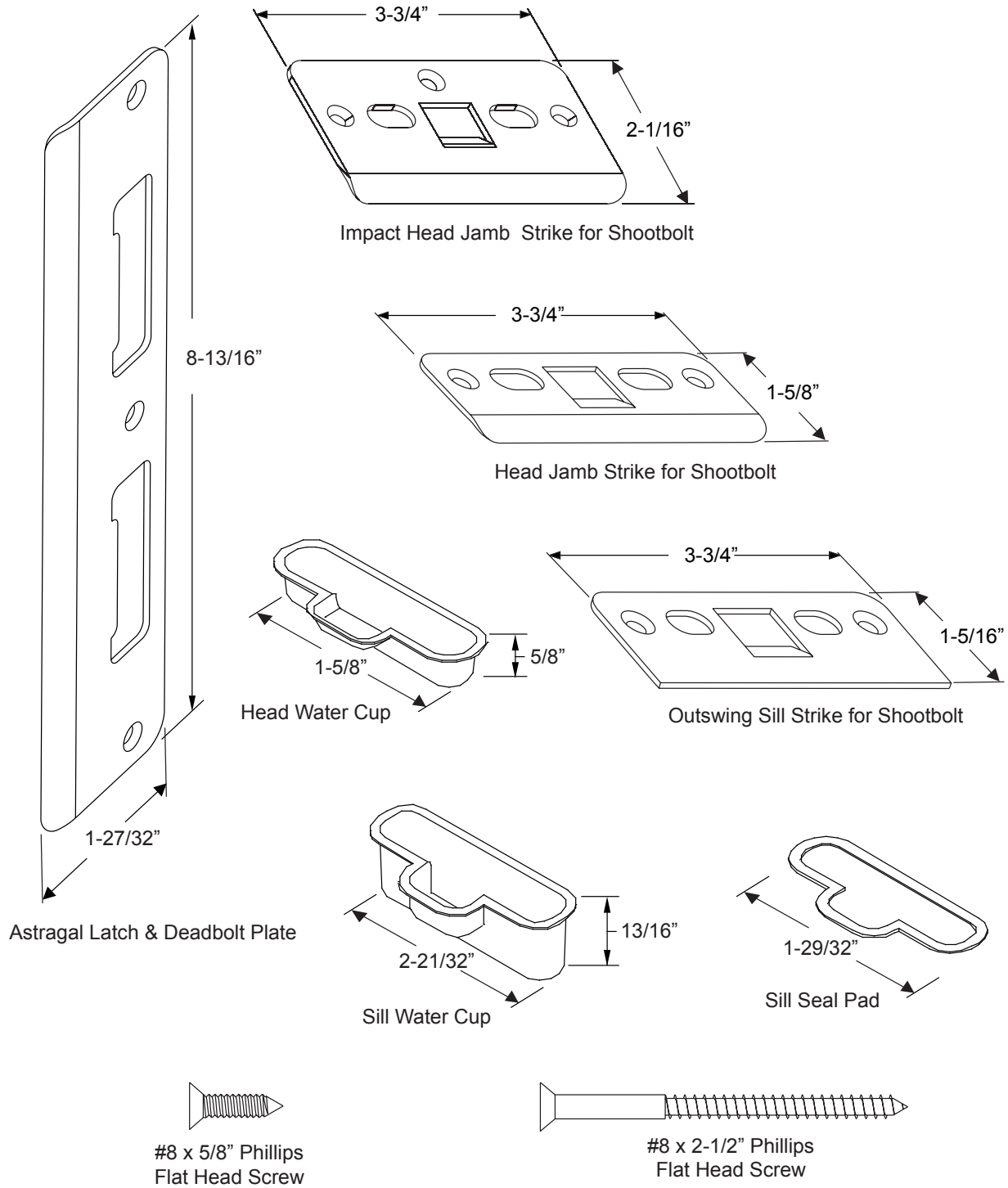
Hardware

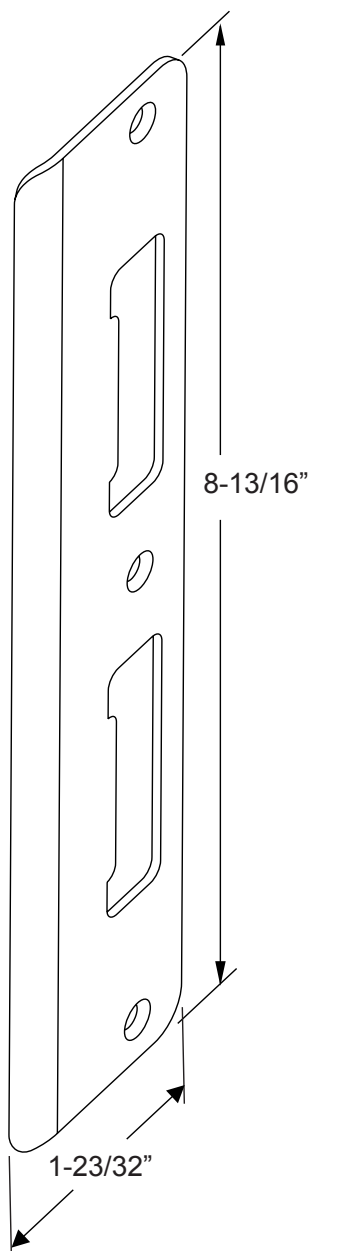


Hardware

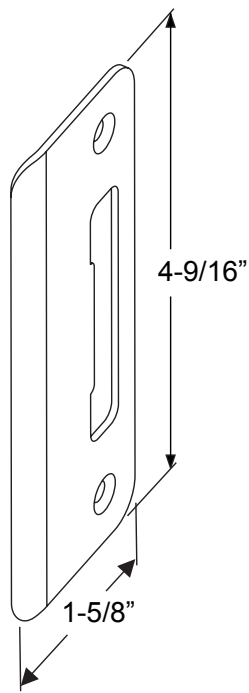


# French Outswing Multi-Point Lock Shootbolt System Strike Plates

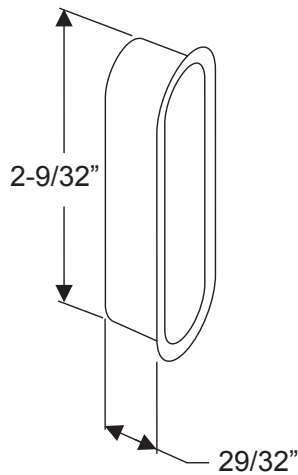




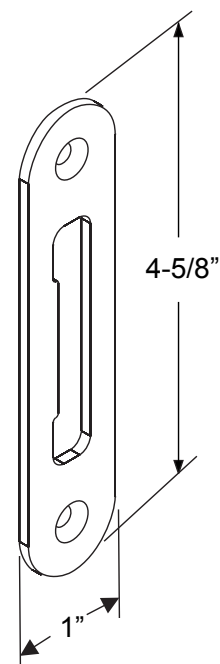
Jamb/Mullions Latch & Deadbolt Plate



Lipped Tongue  
Strike Plate



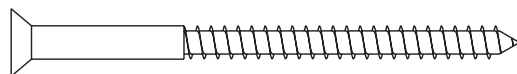
Multi-Point  
Dust Cap



Captured  
Strike Plate



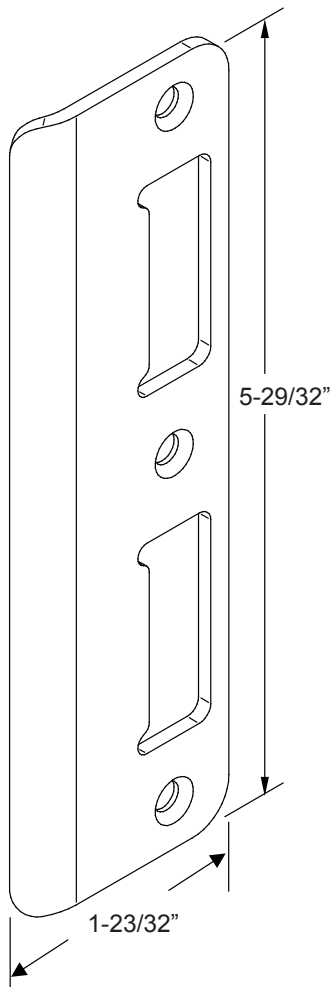
#8 x 5/8" Phillips  
Flat Head Screw



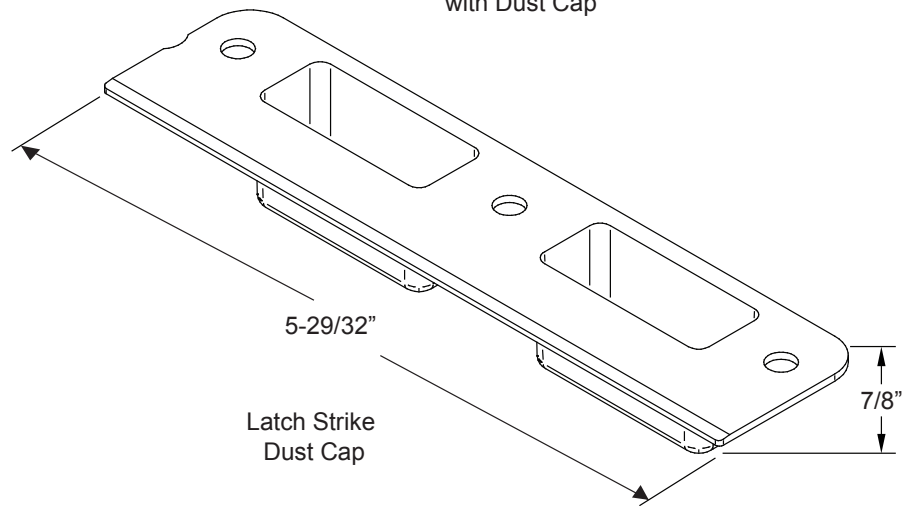
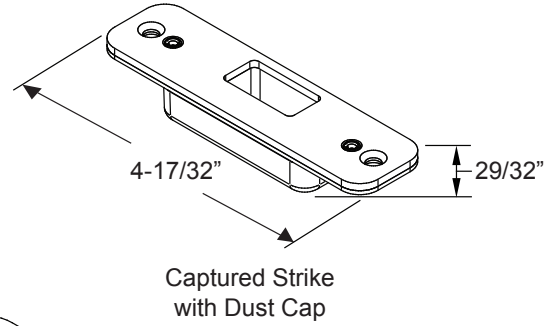
#8 x 2-1/2" Phillips  
Flat Head Screw

Hardware

# Grip Style Multi-Point Lock Tongue System Strike Plates



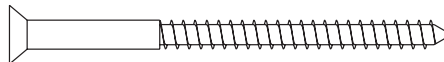
Latch Strike



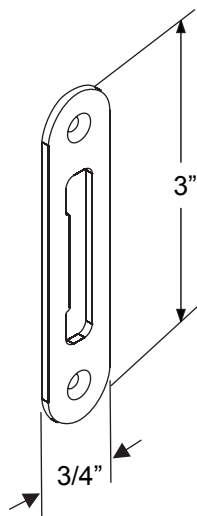
Hardware



#8 x 5/8" Phillips  
Flat Head Screw



#8 x 2-1/2" Phillips  
Flat Head Screw



Vented Sidelite  
Strike Plate

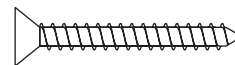
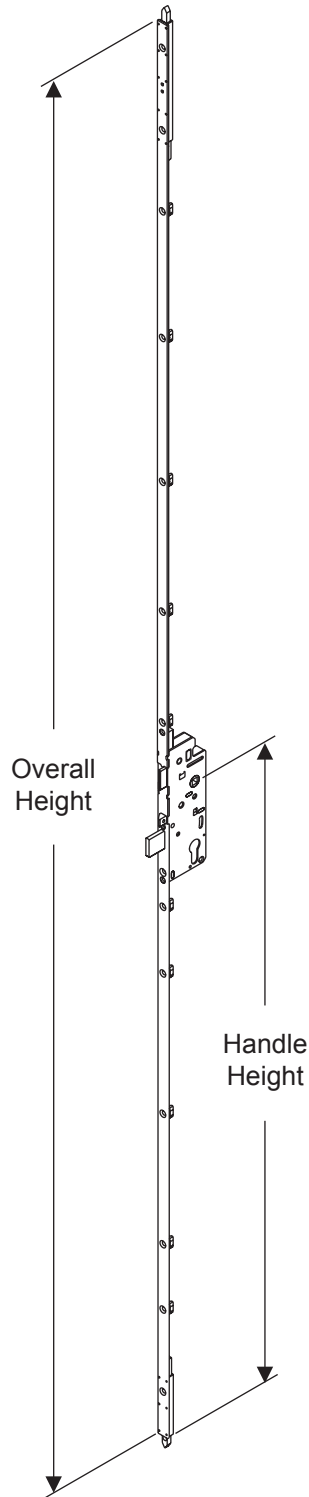


#8 x 1-1/4" Phillips  
Flat Head Screw

### Lever Style Manual Shootbolt System (Fixed Height)

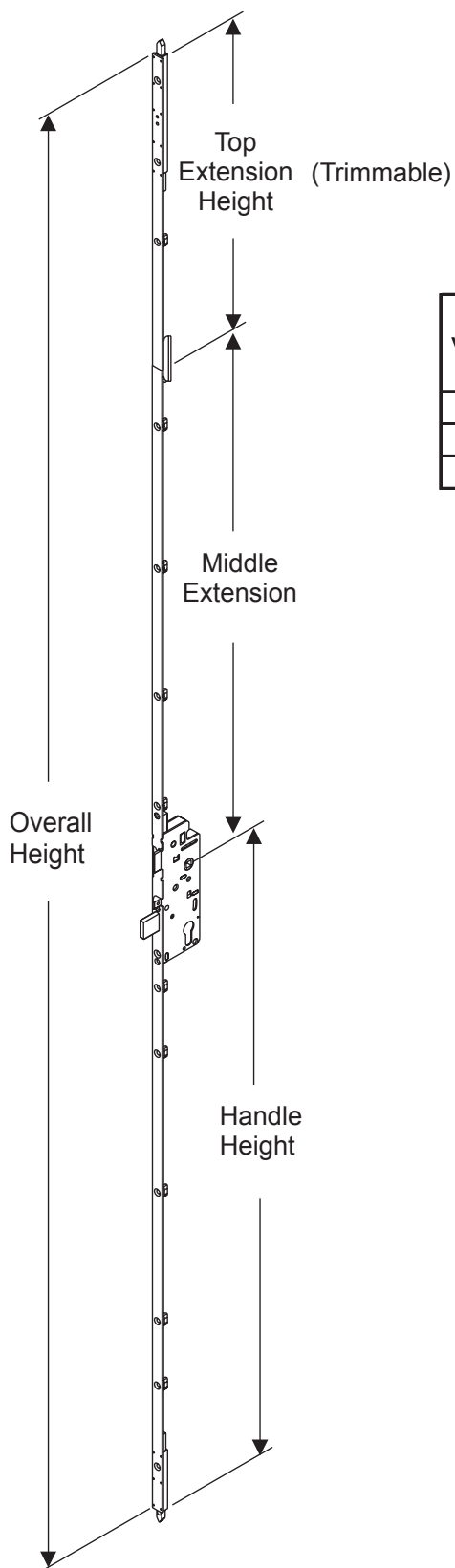
Door Height	Inswing Handle Height	Inswing Overall Height
6/6	33-1/2"	76-25/32"
6/8	36-1/16"	79-11/32"
7/0	36-1/16"	83-1/4"
8/0	36-1/16"	95-11/32"

Door Height	Outswing Handle Height	Outswing Overall Height
6/6	33-7/16"	76-23/32"
6/8	36"	79-9/32"
7/0	36"	83-3/16"
8/0	36"	95-9/32"



Stainless Steel  
Mounting Screw

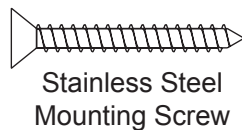




**Lever Style  
Manual Shootbolt System  
(Variable Height)**

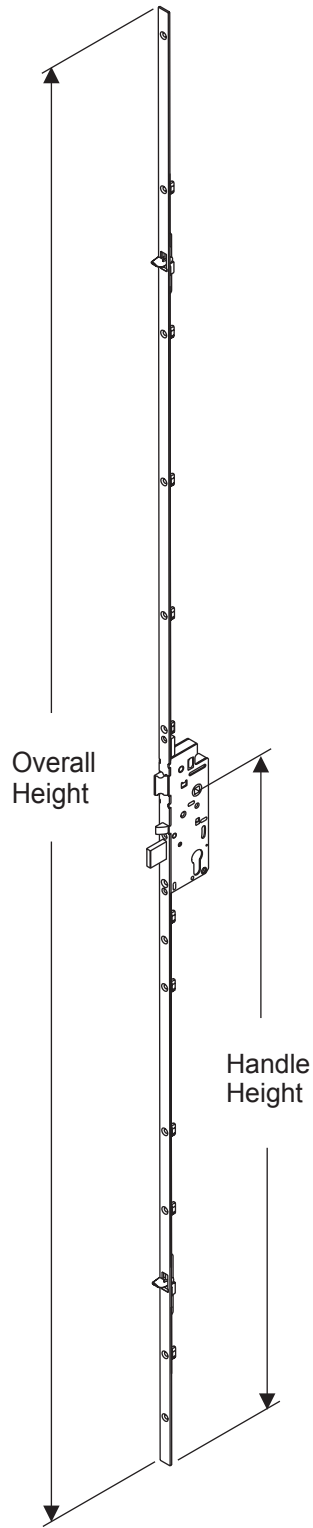
Variable Door Height	Handle Height	Maximum Trim
76-5/8" to 80-9/16"	36"	3.94"
82-1/2" to 86-15/32"	36"	3.94"
88-7/16" to 95-5/16"	36"	3.94"

Hardware

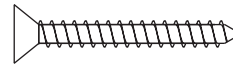


### Lever Style Manual Tongue System

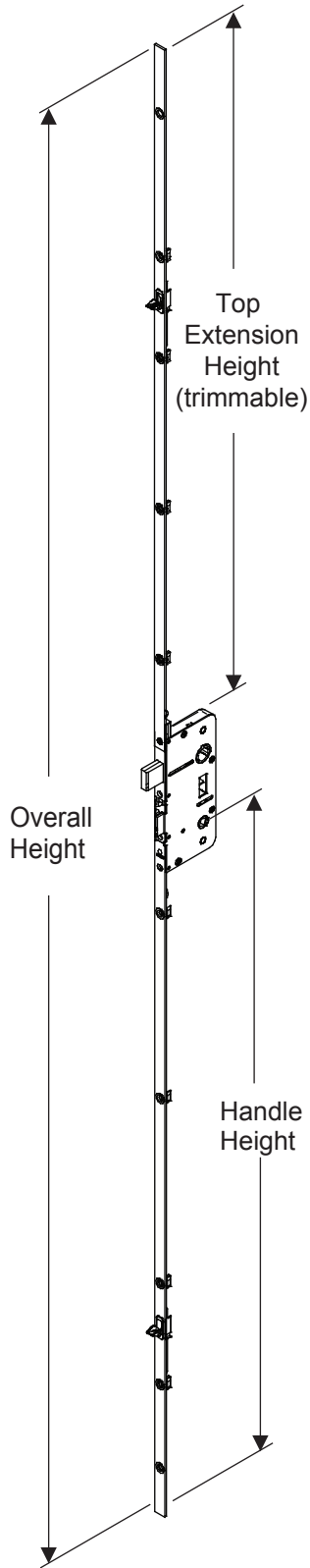
Door Height	Inswing & Outswing Handle Height	Inswing & Outswing Overall Height
6/6	33-7/16"	76-11/16"
6/8	36"	79-9/32"
7/0	36"	83-9/32"
8/0	36"	95-9/32"



Hardware



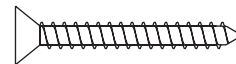
Stainless Steel  
Mounting Screw



**Grip Style MPLS System  
(Variable Height)**

VARIABLE DOOR HEIGHT	OVERALL HEIGHT	HANDLE HEIGHT
76-5/8" to 80-9/16"	79.240	36.000
82-1/2" to 86-15/32"	83.256	
88-7/16" to 95-5/16"	95.264	

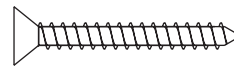
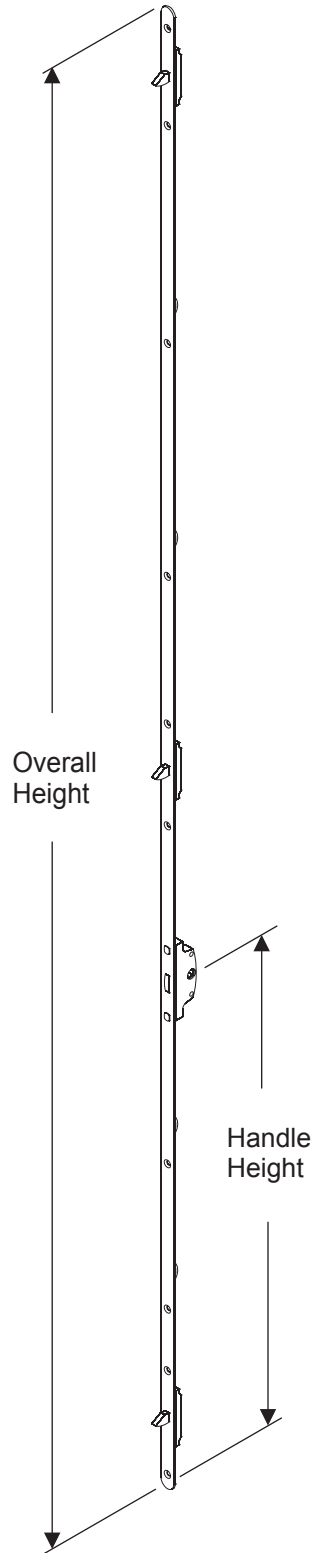
Hardware



Stainless Steel  
Mounting Screw

## Vented Sidelite Tongue System

Door Height	Inswing Handle Height	Inswing Overall Height
6/6	33-7/16"	63"
6/8	36"	63"
8/0	36"	66"

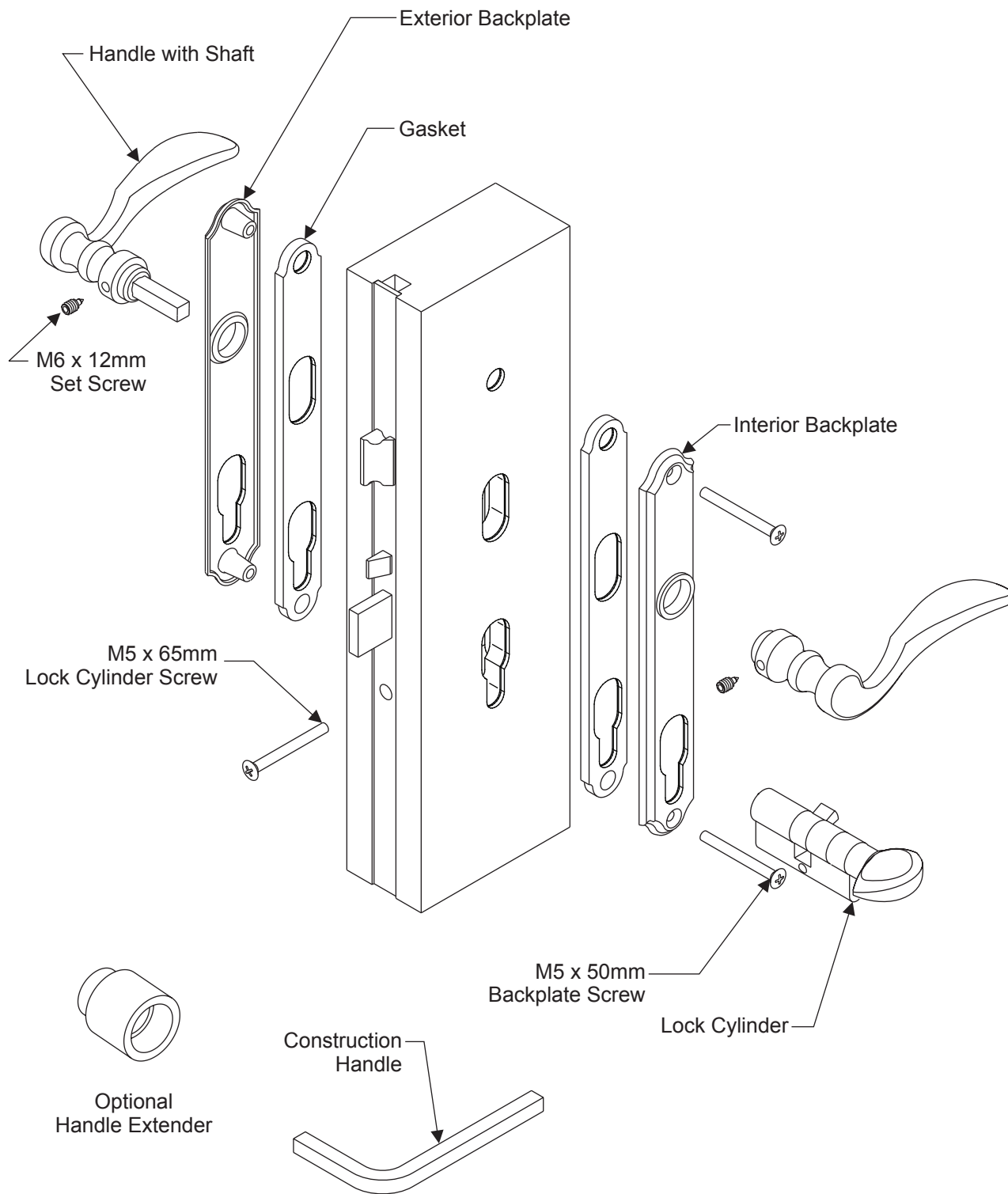


Mounting Screw

Hardware

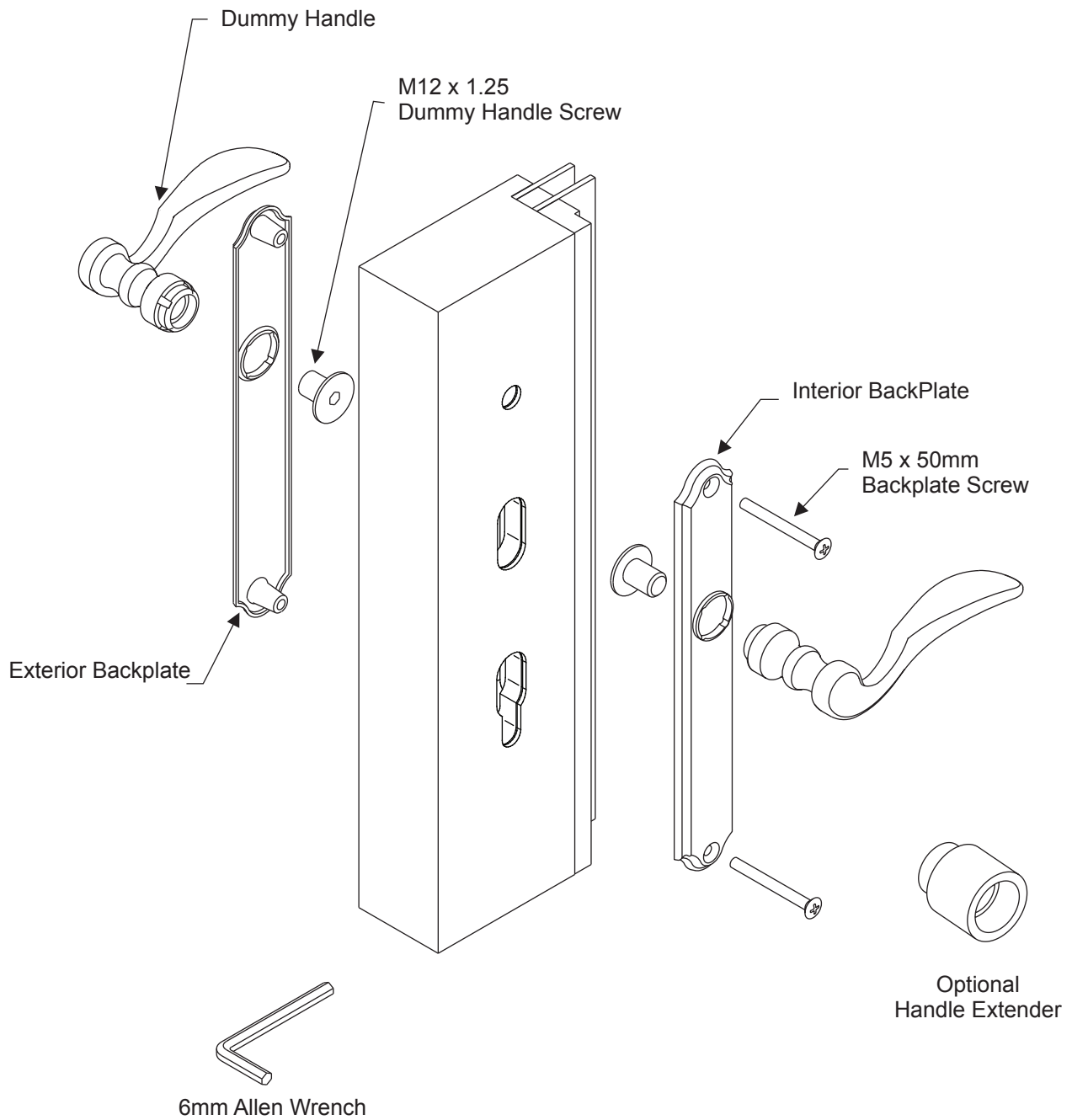
**Active**

*available in both 45mm & 60mm backset*

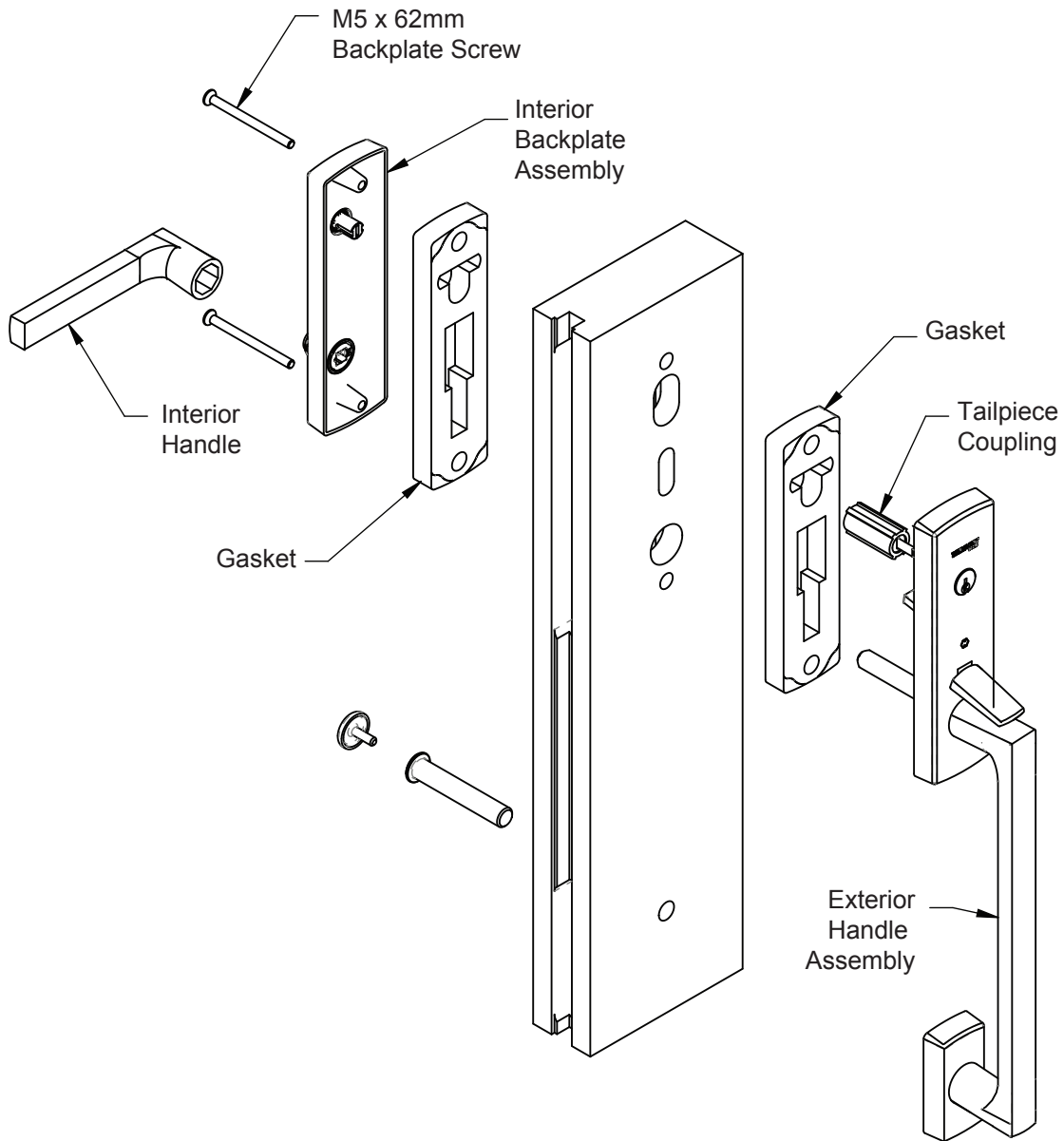


Hardware

## Inactive

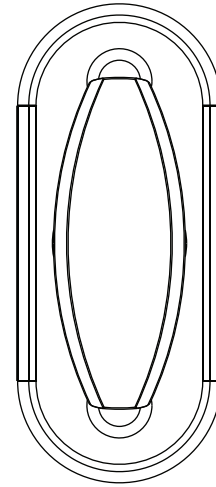
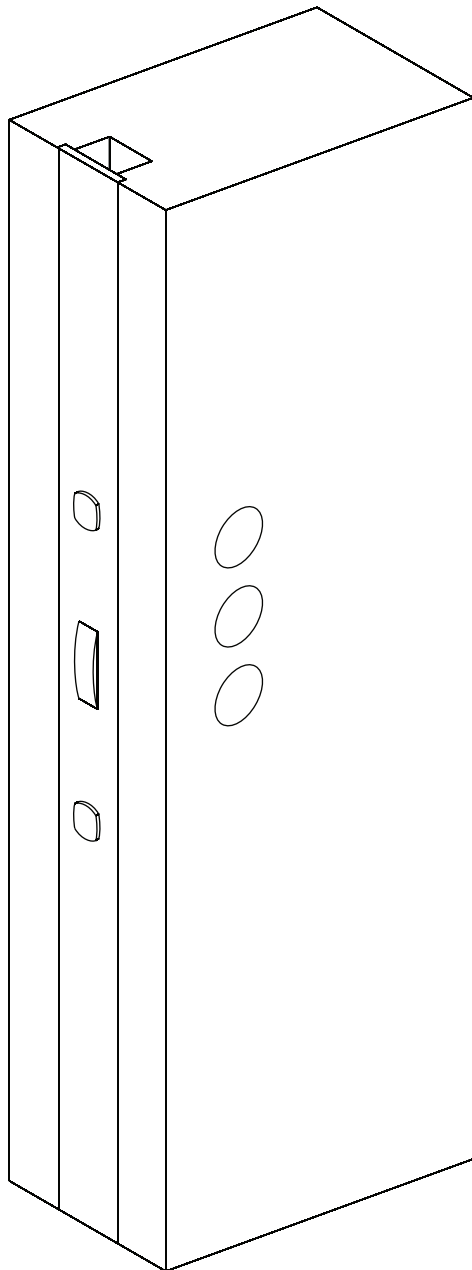


**Active**  
*60mm backset*

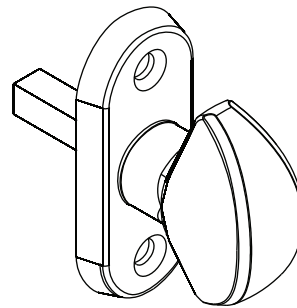


Hardware

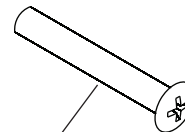
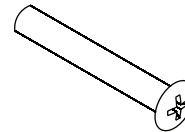
***Vented Sidelite***



***Thumb Turn***



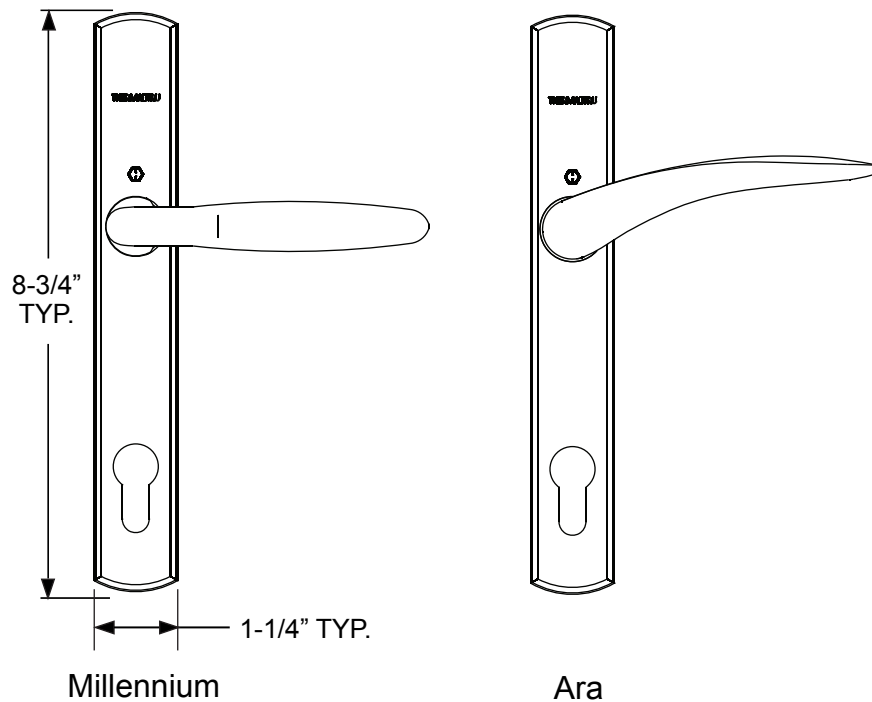
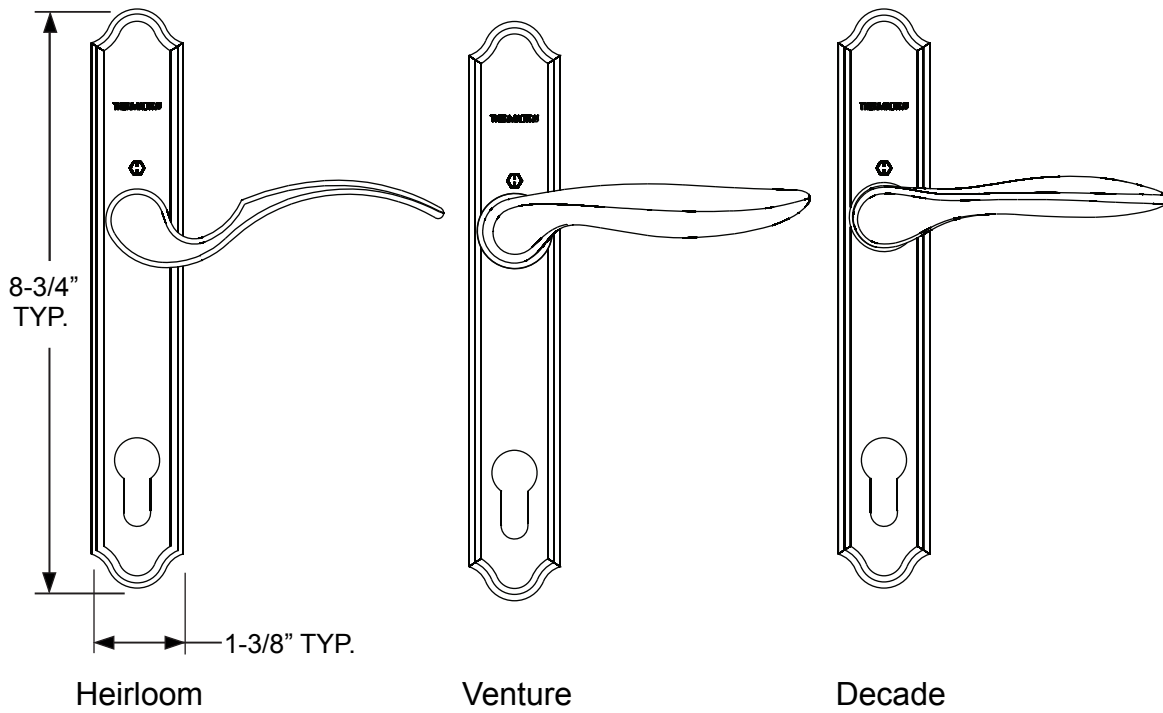
Thumb Turn



M5 x 35mm  
Handle Screw

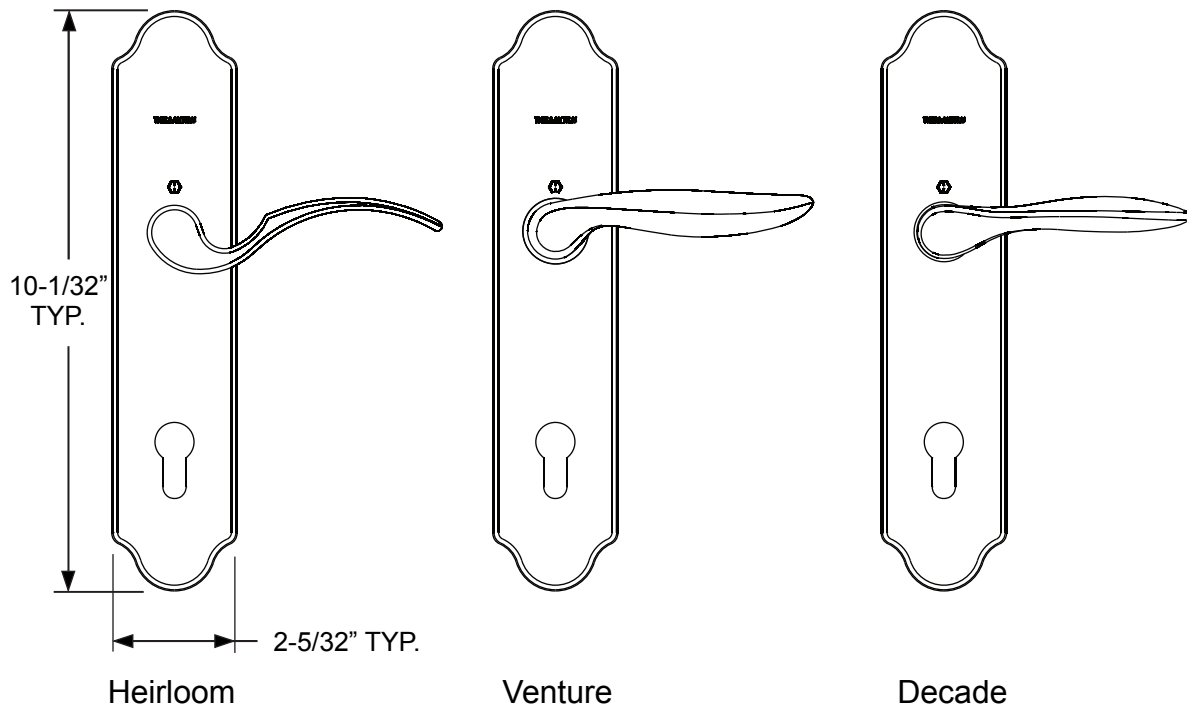
Hardware



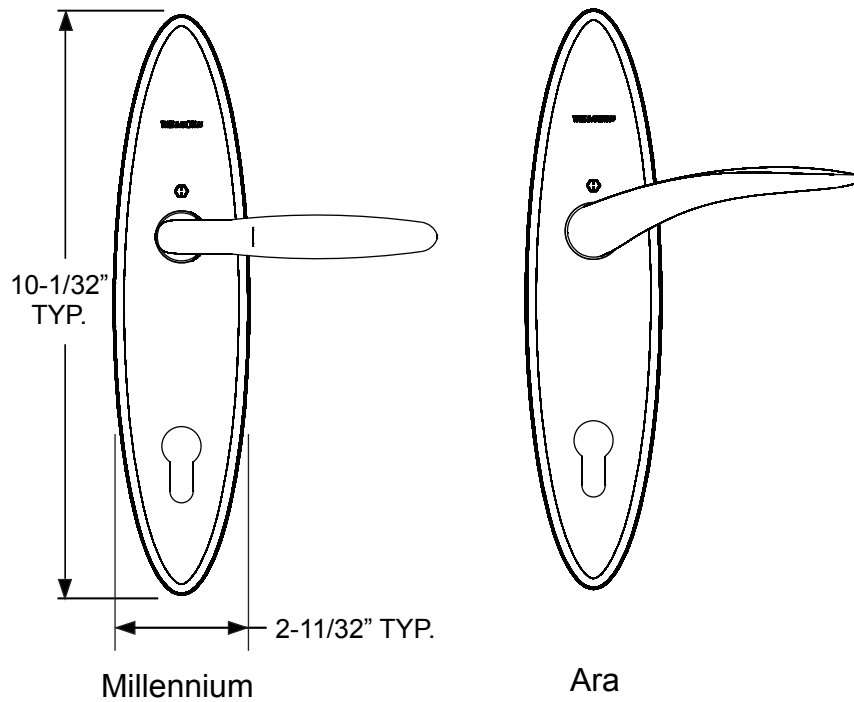


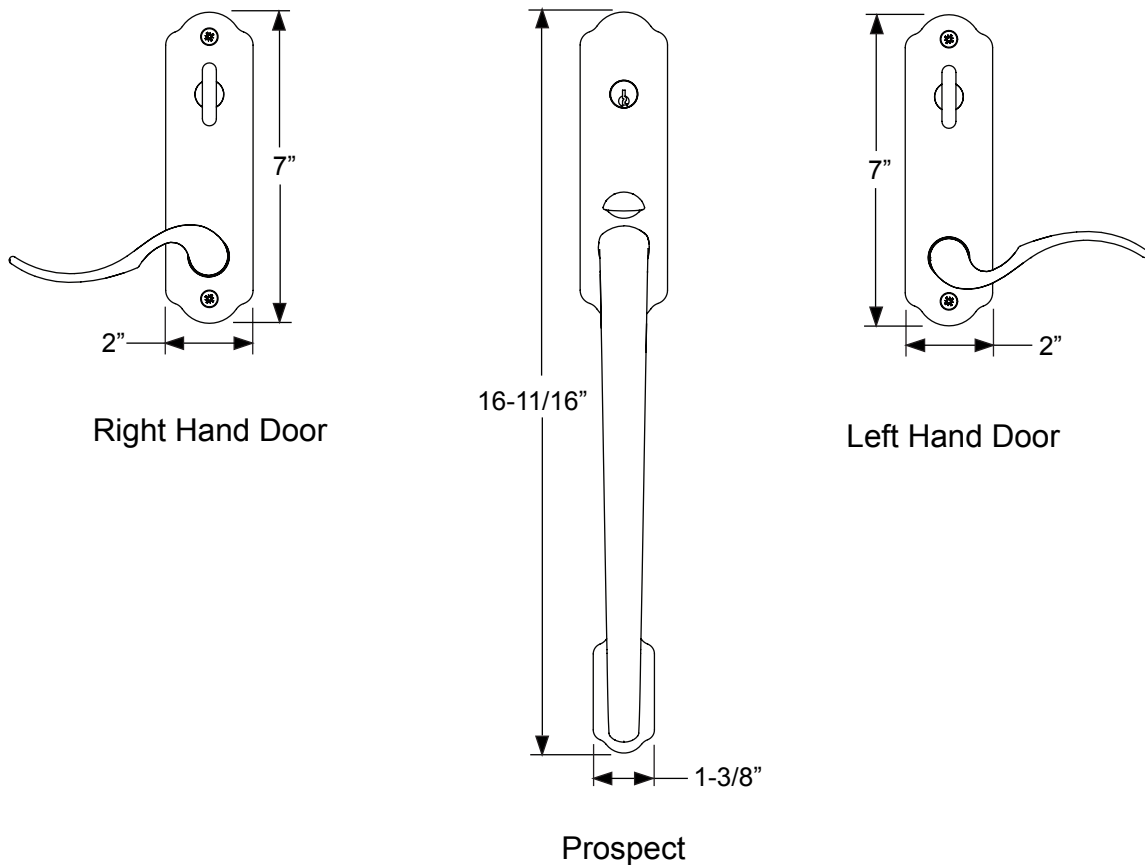
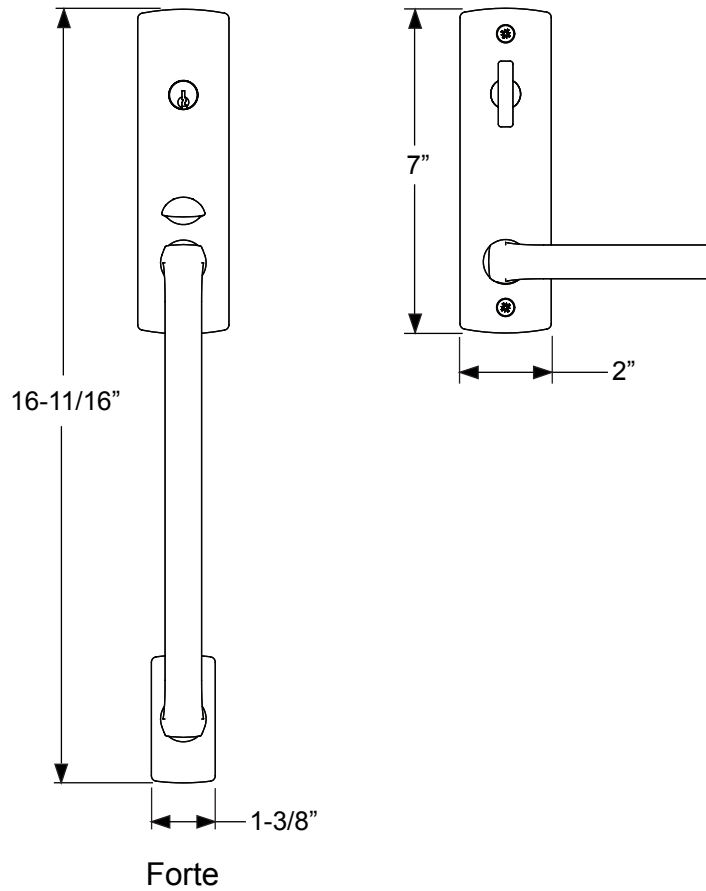
Hardware

# Lever Style 60mm Multi-Point Lock - Handle / Trim



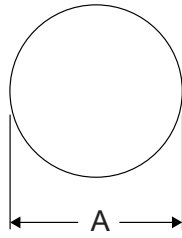
Hardware





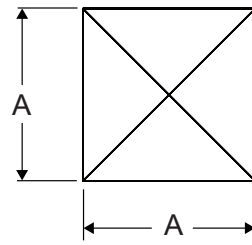
Hardware

**Round Clavos**



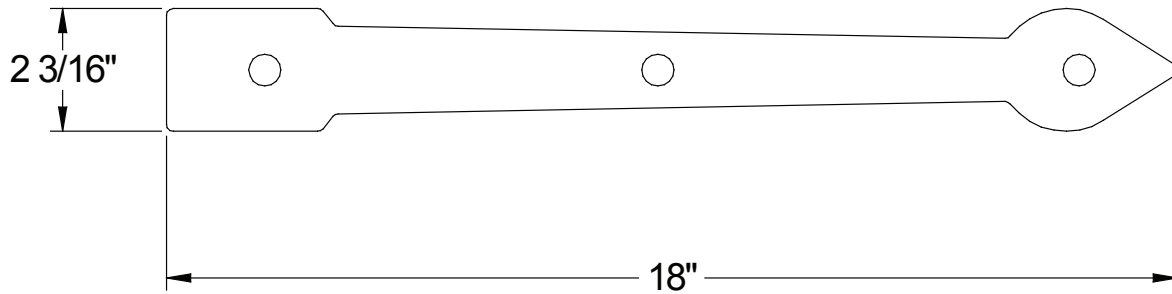
A
1"
1-1/4"
1-3/4"

**Pyramid Clavos**

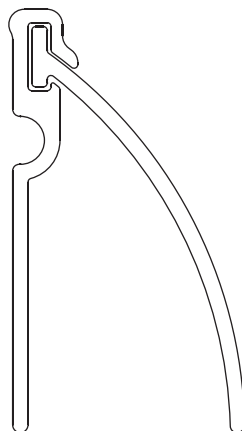


A
1"
1-1/4"
1-1/2"

**Strap Hinge**



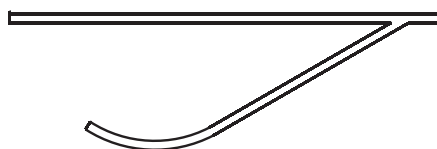
Hardware



AS ASSEMBLED

DOOR WIDTH	LENGTH
2/2	24.750
2/4	26.750
2/6	28.750
2/8	30.750
2/10	32.750
3/0	34.750

***Rain Guard (Outswing)***



Size	Length
2/4	28.000"
2/6	30.000"
2/8	32.000"
2/10	34.000"
3/0	36.000"
3/6	42.000"

Hardware