

Exploded View and Part Identification 2.3

Classic-Craft American Style..... 2.26

Classic-Craft American Style 8/0..... 2.28

Classic-Craft Canvas Style 2.30

Classic-Craft Canvas Style 8/0 2.40

Classic-Craft Mahogany..... 2.42

Classic-Craft Mahogany 8/0..... 2.44

Classic-Craft Oak..... 2.46

Classic-Craft Oak 8/0..... 2.48

Classic-Craft Rustic 2.50

Classic-Craft Rustic 8/0 2.52

Classic-Craft Rustic Radius Top 2.54

Classic-Craft Rustic Arch Top 2.56

Classic-Craft Rustic Square Top Impact 2.58

Classic-Craft Rustic Impact..... 2.60

Fiber-Classic Mahogany 2.62

Fiber-Classic Oak 2.64

Fiber-Classic Oak Designline 2.70

Fiber-Classic Oak Flush-Glazed Door 2.72

Fiber-Classic Oak 8/0 2.74

Smooth-Star 2.76

Smooth-Star Raised Panel..... 2.82

Smooth-Star Flush-Glazed Door 2.84

Smooth-Star 8/0 2.88

Smooth-Star Flush-Glazed Door 8/0 2.90

Smooth-Star / Fiber-Classic Impact Door 2.92

Traditions 2.94

Profiles 2.96

Adjusta-Fit® 2 Frame 2.98

Rectangular Transom..... 2.100

Elliptical Transom..... 2.101

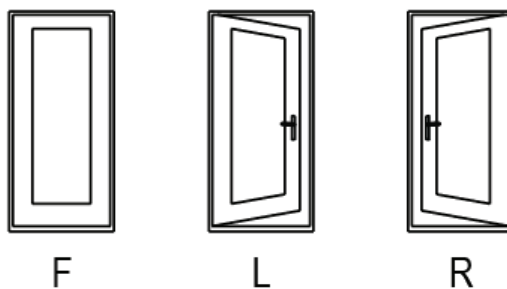
Half Round Transom 2.102

Direct Set Sidelite 2.103

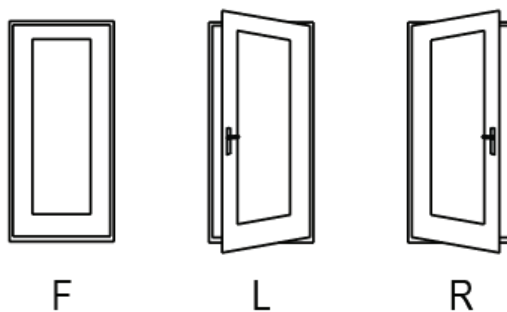
The following pages show exploded views of Therma-Tru door slabs. All Therma-Tru door slabs (except flush-glazed doors with Low-E glass, or bevelline glass) are reversible for handing and swing. Mounting hardware, components, and accessories will hand the door. Make sure to have a clear understanding of handing before proceeding. See the illustrations below for determining the handing of a door.

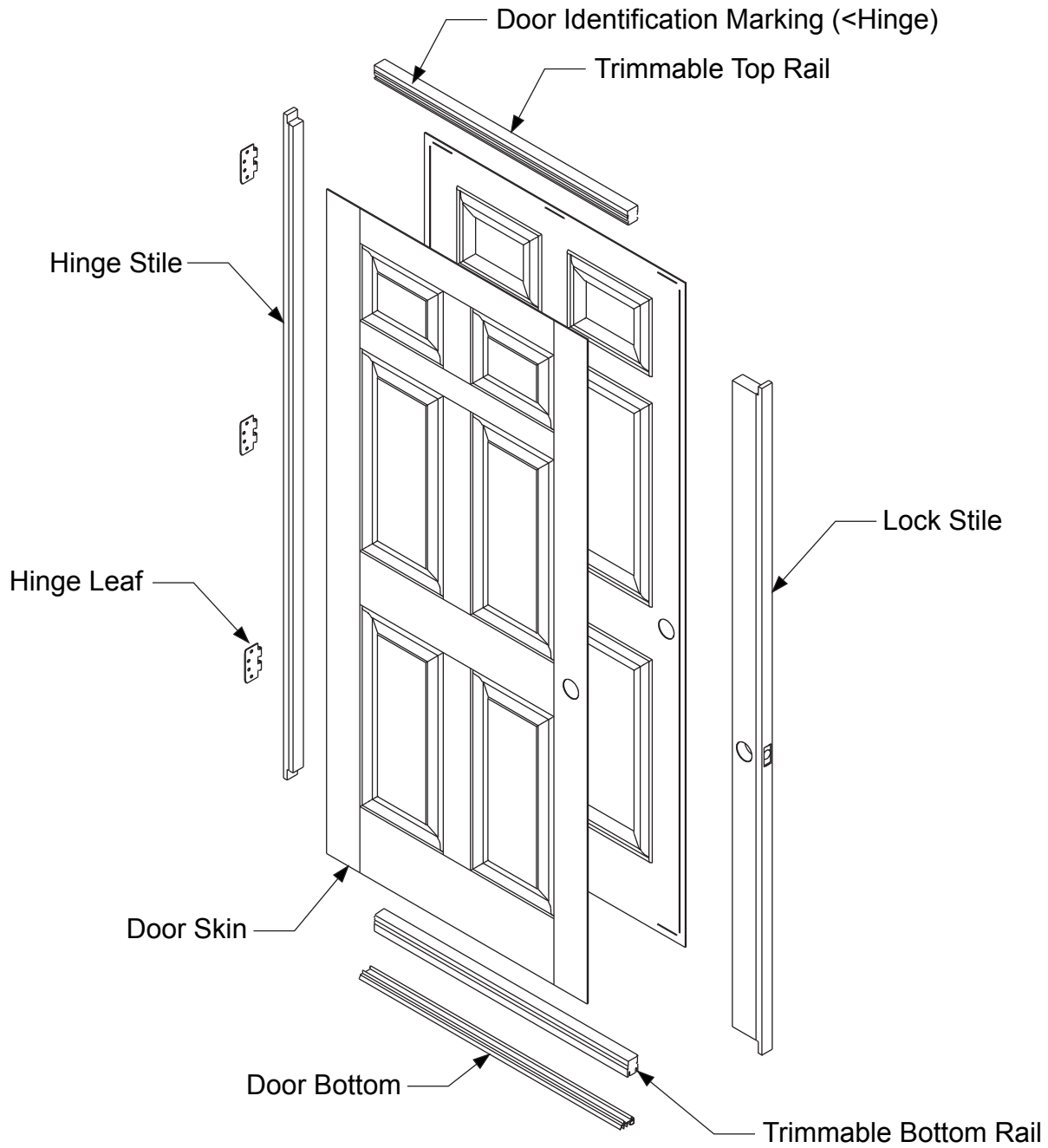
Hand Designations (Viewed from the exterior)	
F	Fixed Panel
L	Left Hand
R	Right Hand

Inswing

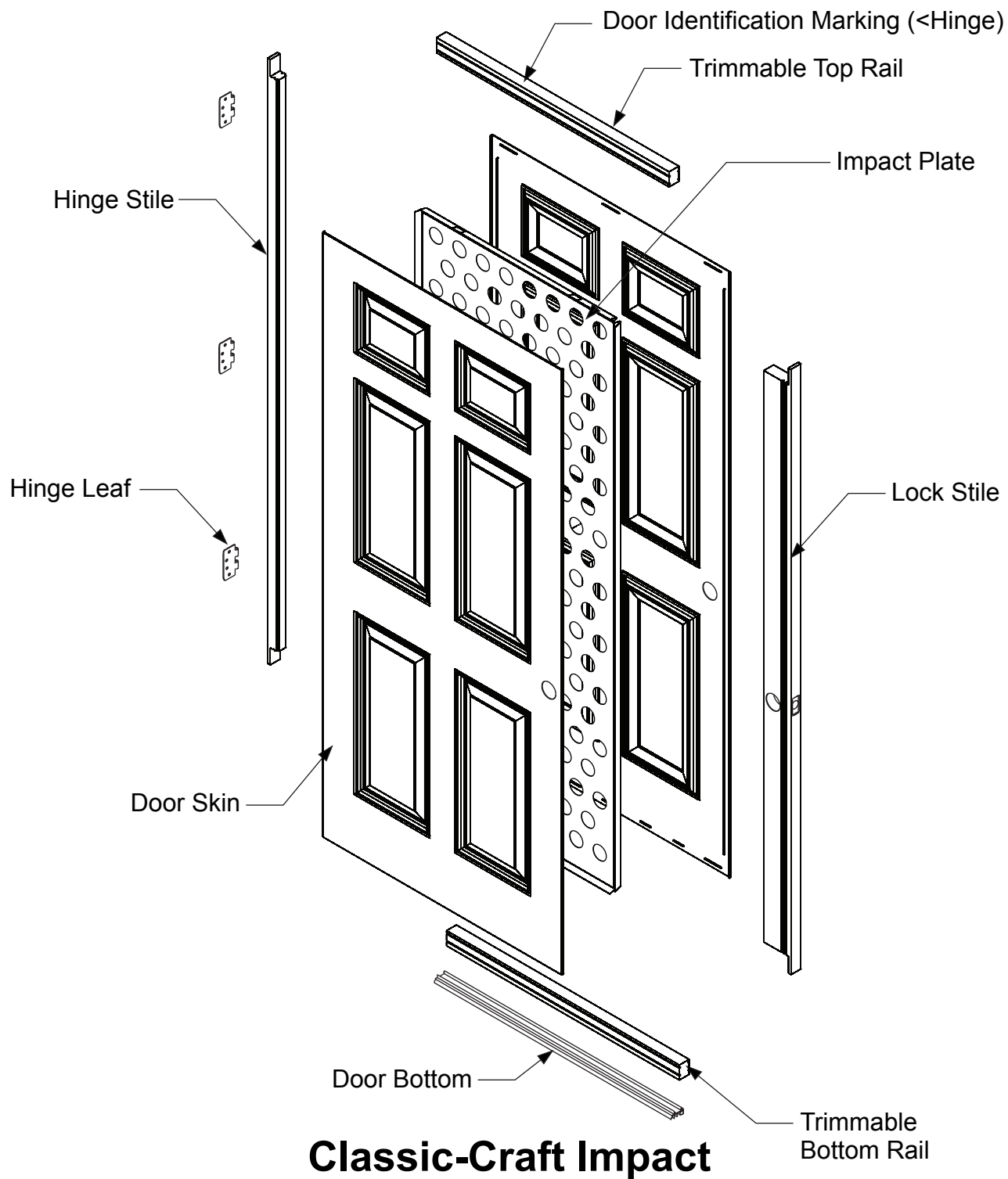


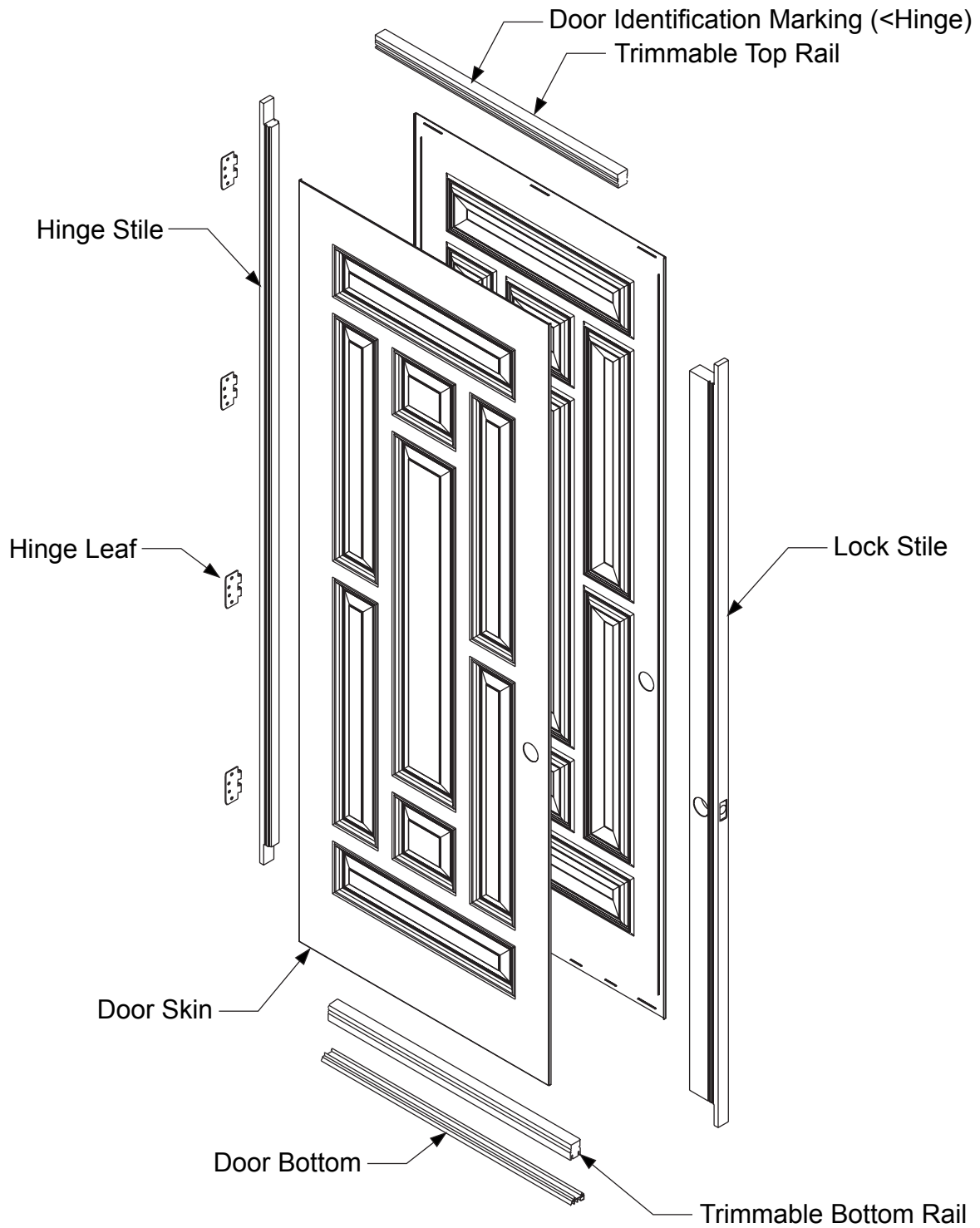
Outswing



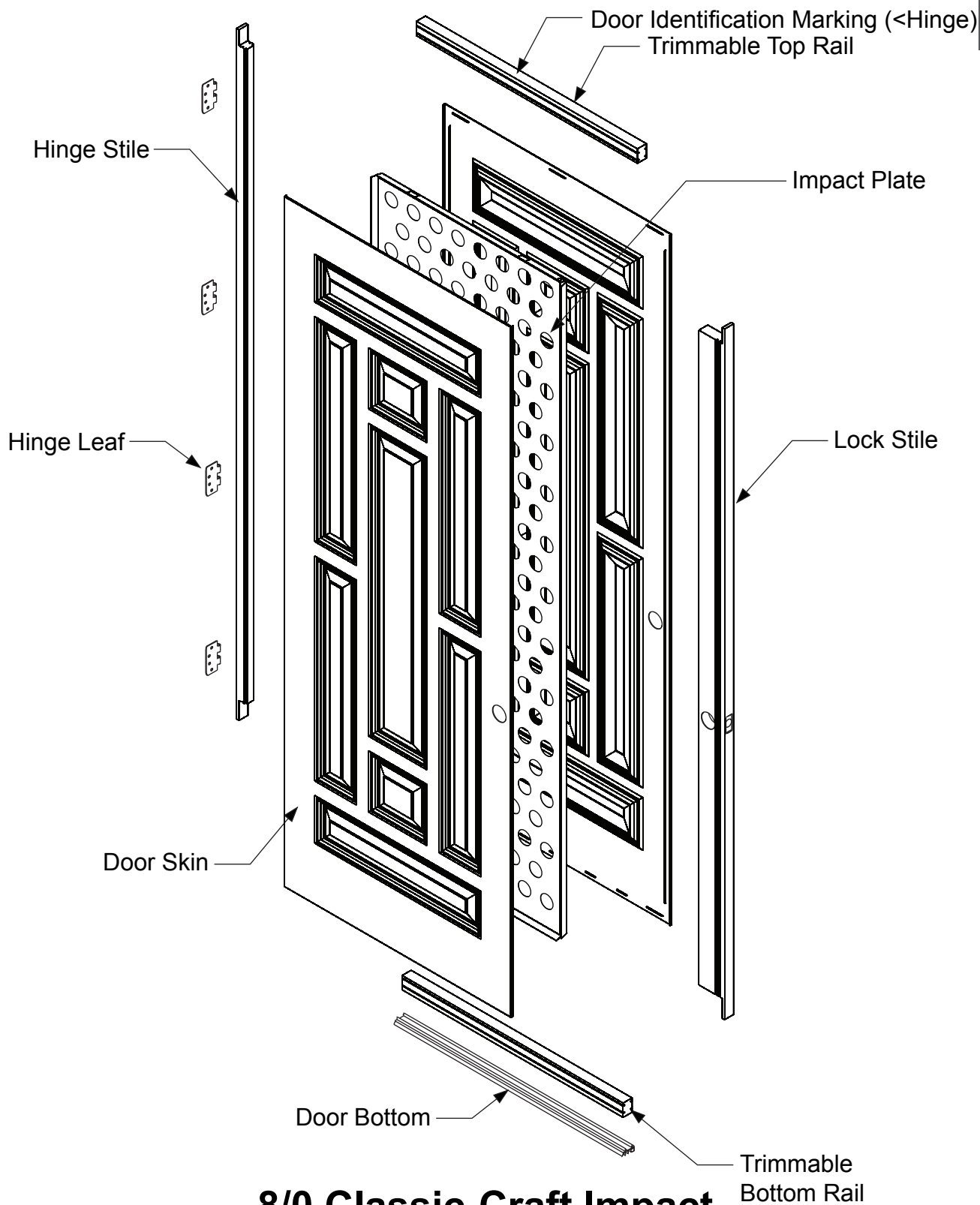


Classic-Craft



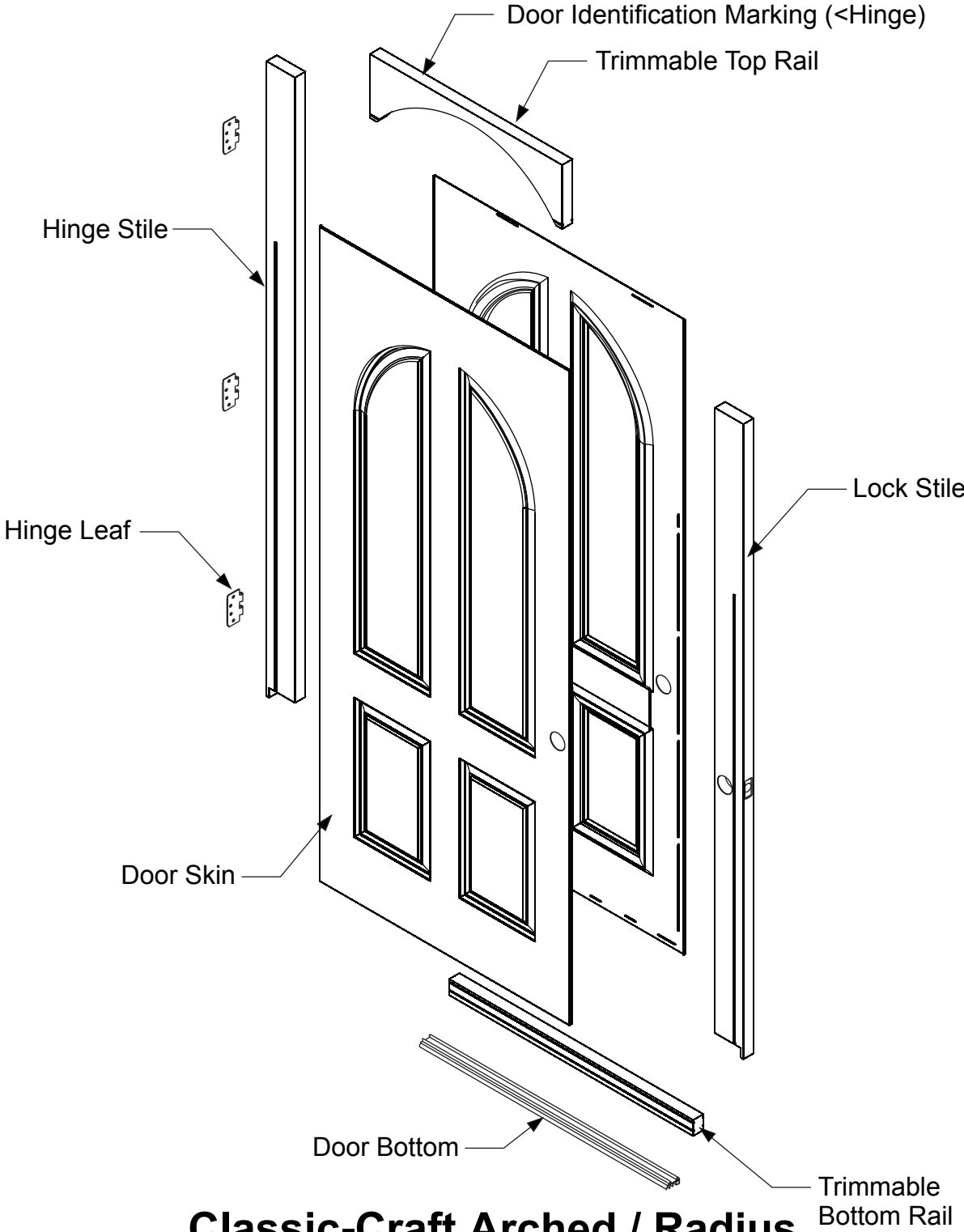


8/0 Classic-Craft

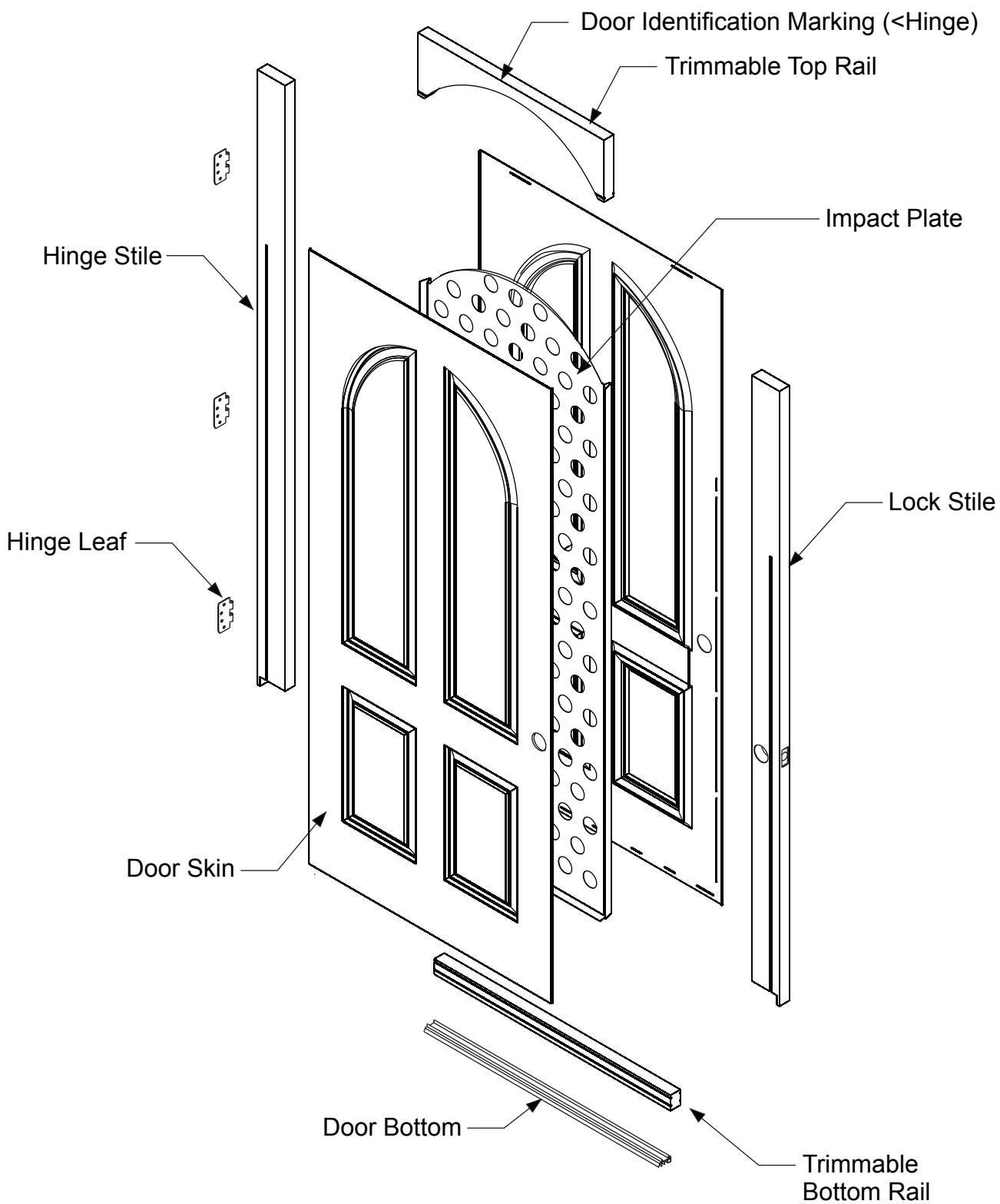


Exploded View and Part Identification

Architectural
Details

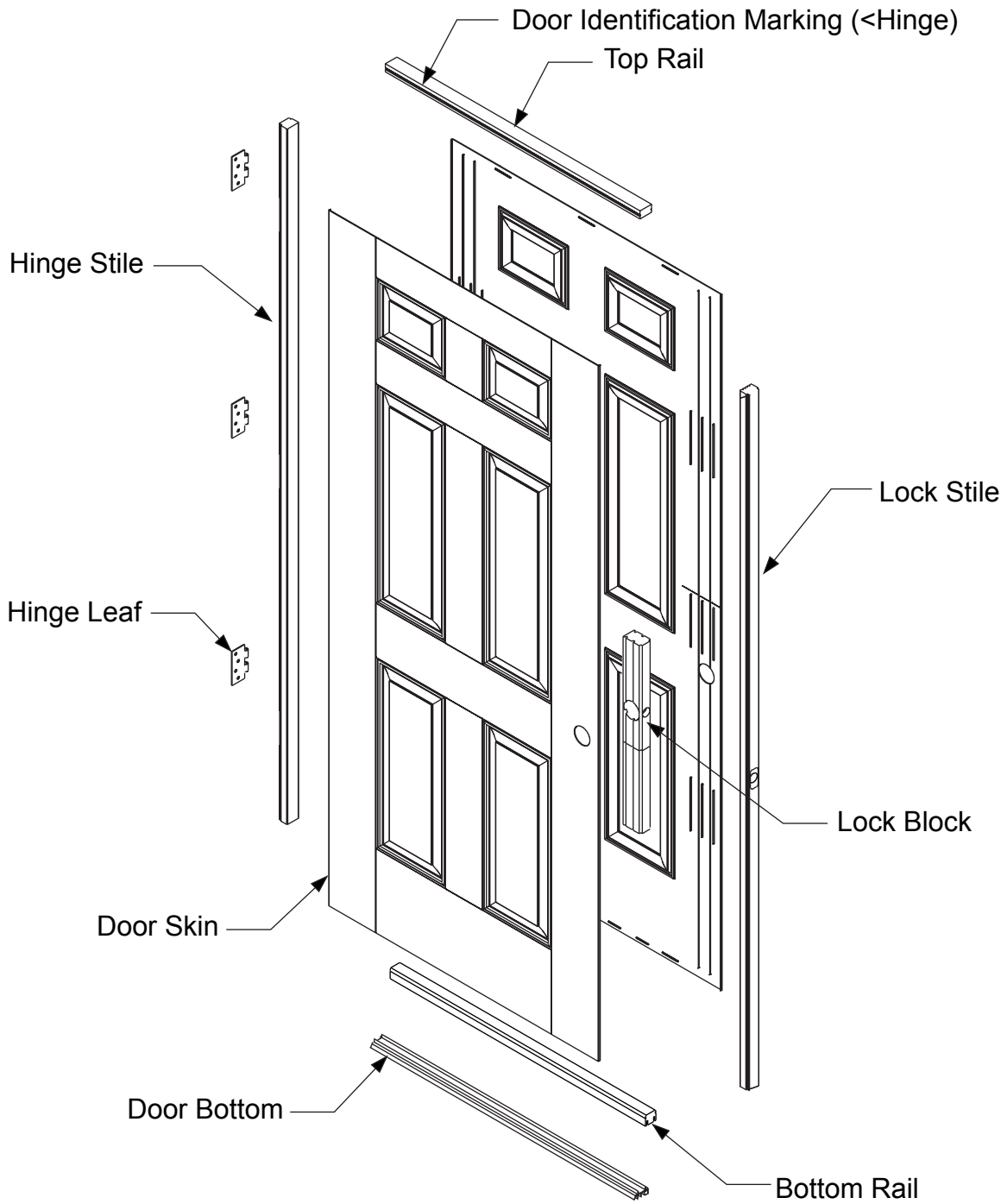


Classic-Craft Arched / Radius
(Radius Top Shown)

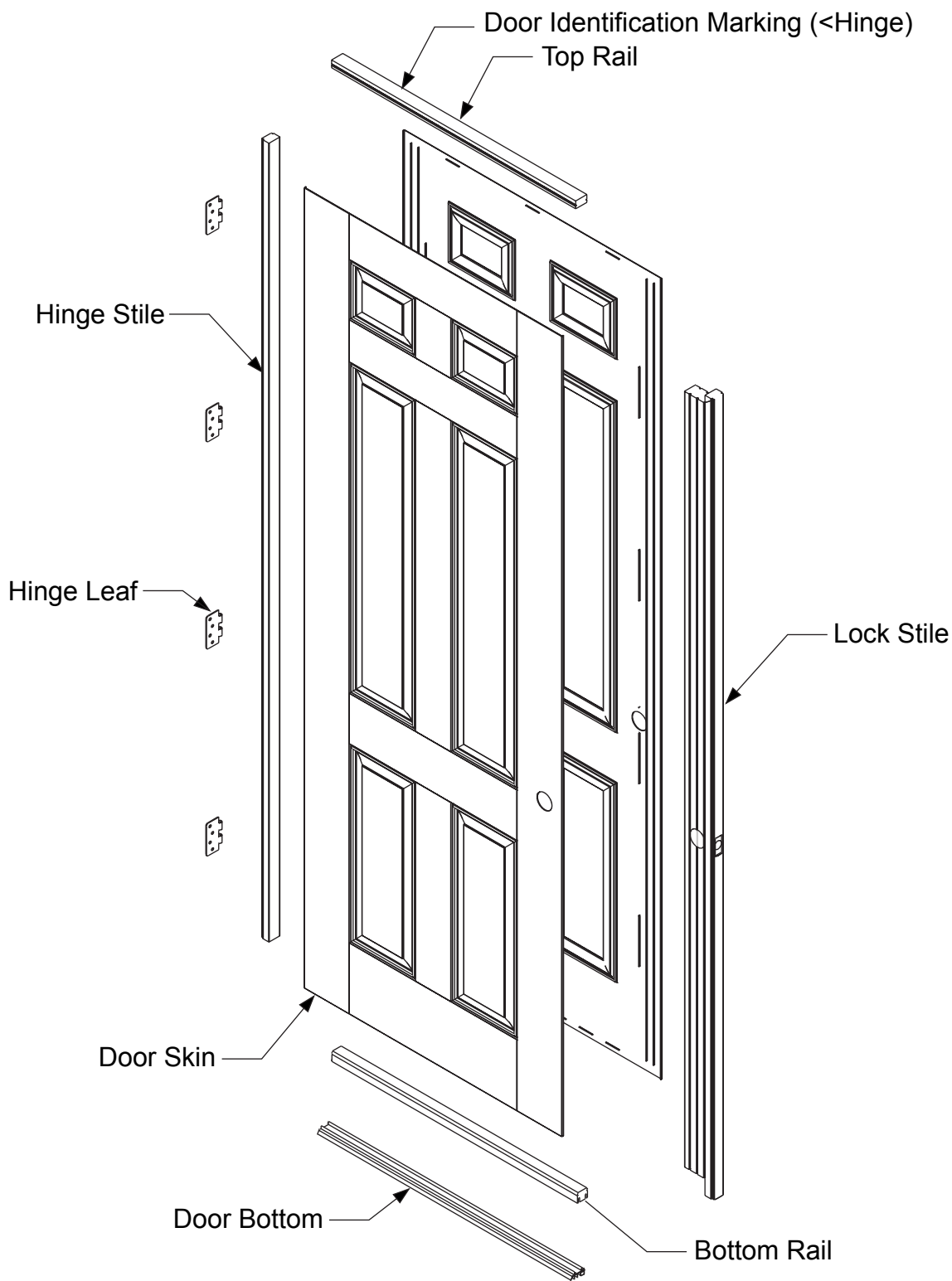


Classic-Craft Arched / Radius Impact

Architectural
Details



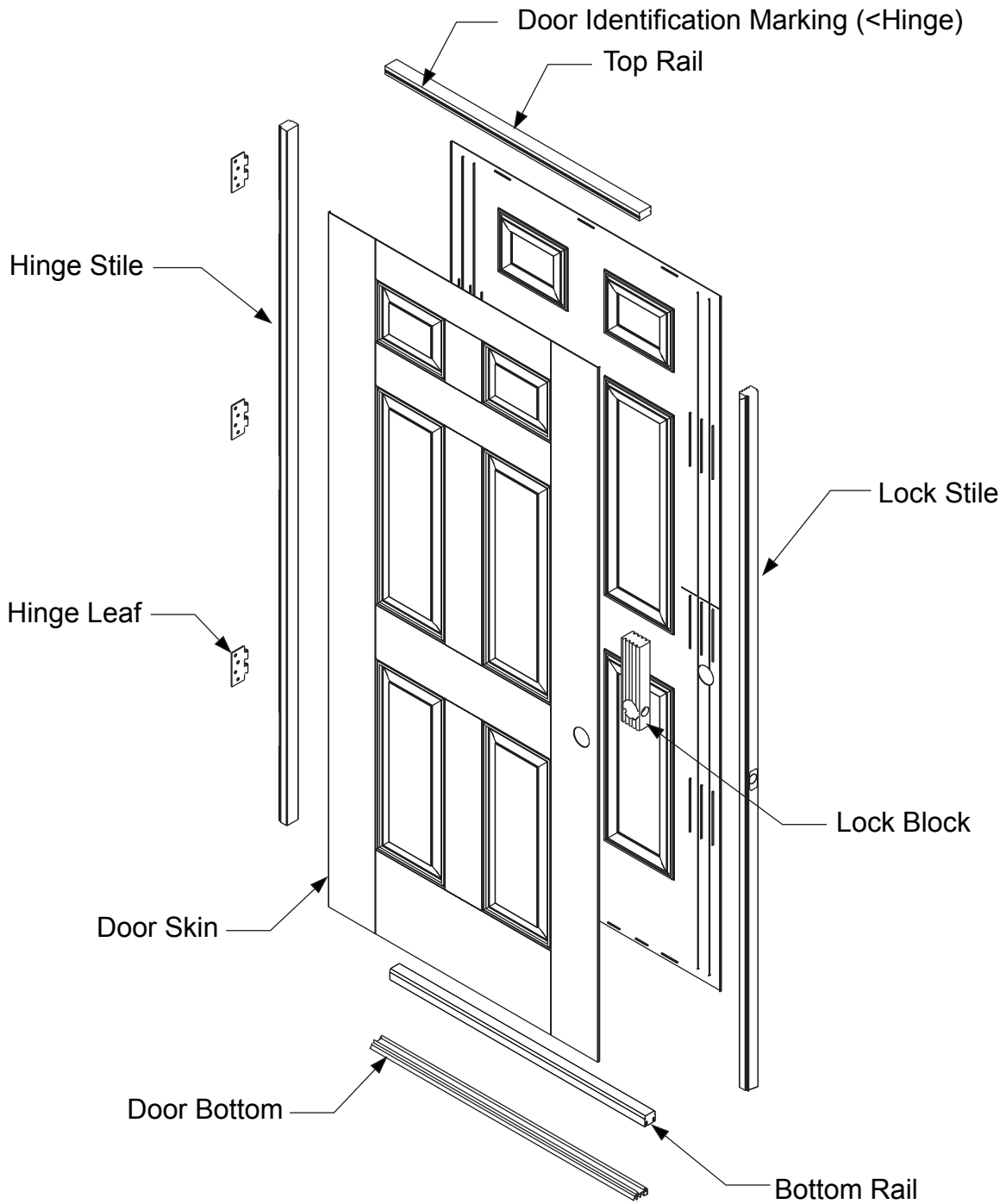
Fiber-Classic



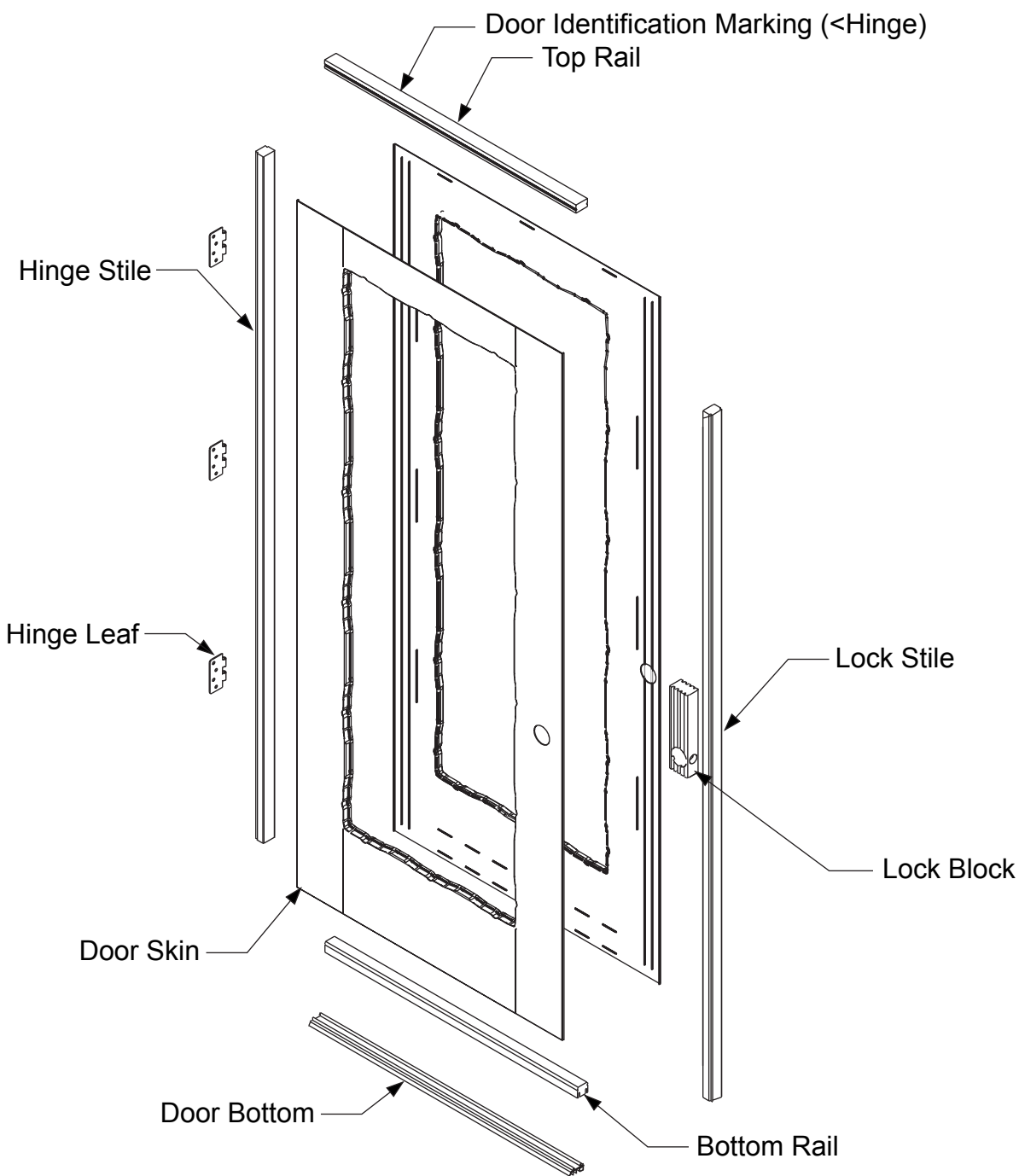
8/0 Fiber-Classic

Exploded View and Part Identification

Architectural
Details



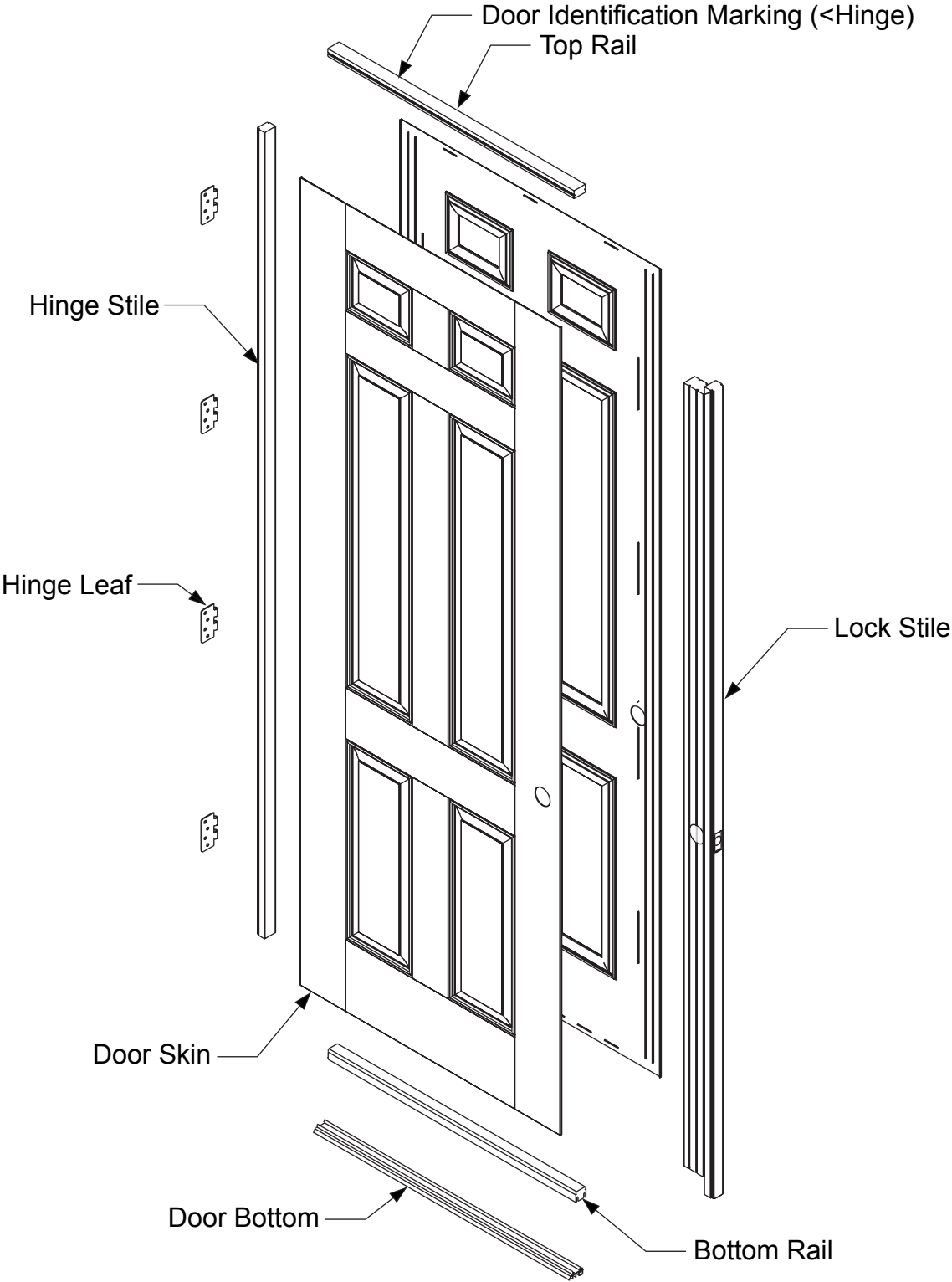
Smooth-Star



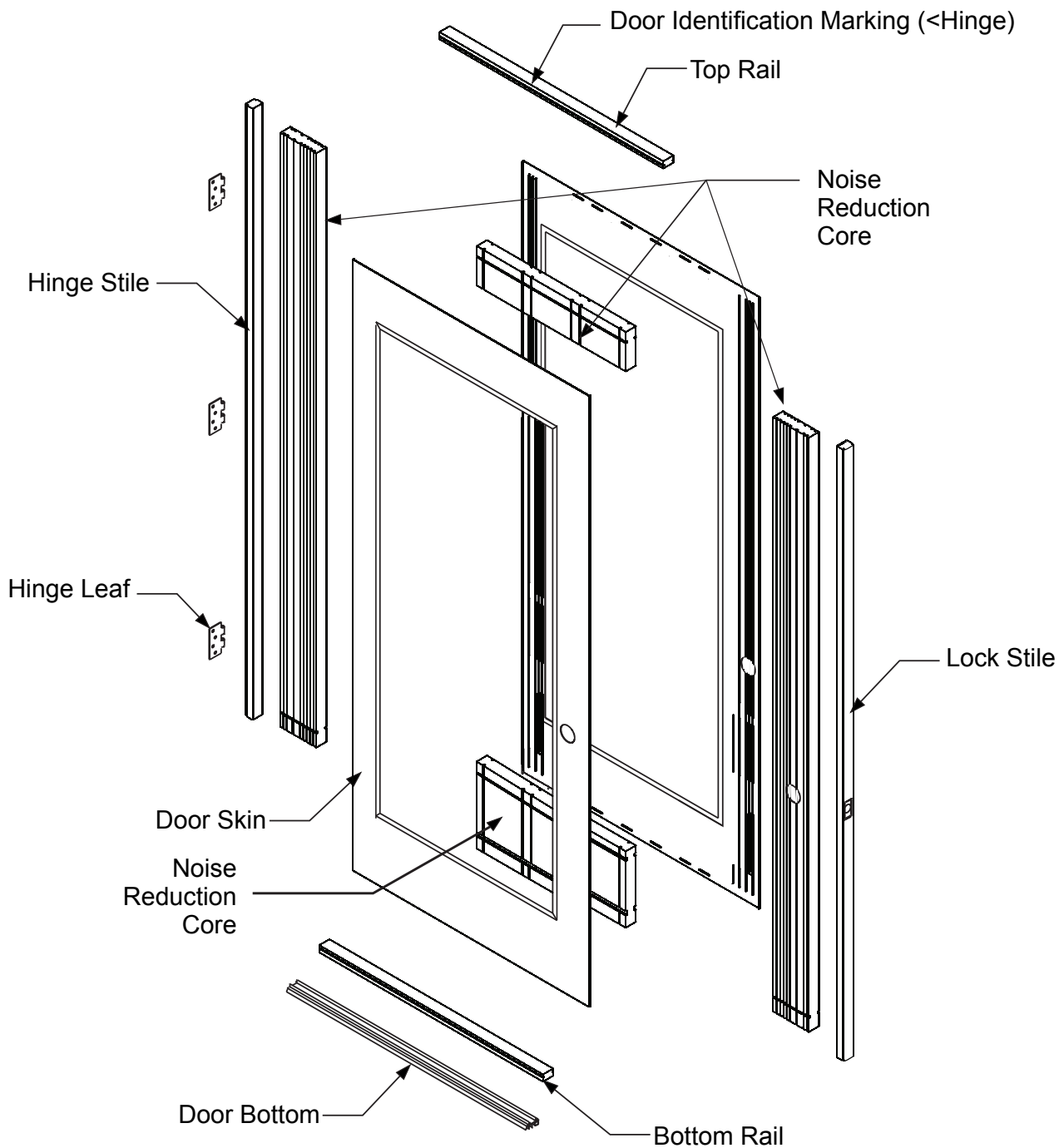
Smooth-Star (Molded Open - Ready to Receive Doorlite)

Exploded View and Part Identification

Architectural
Details

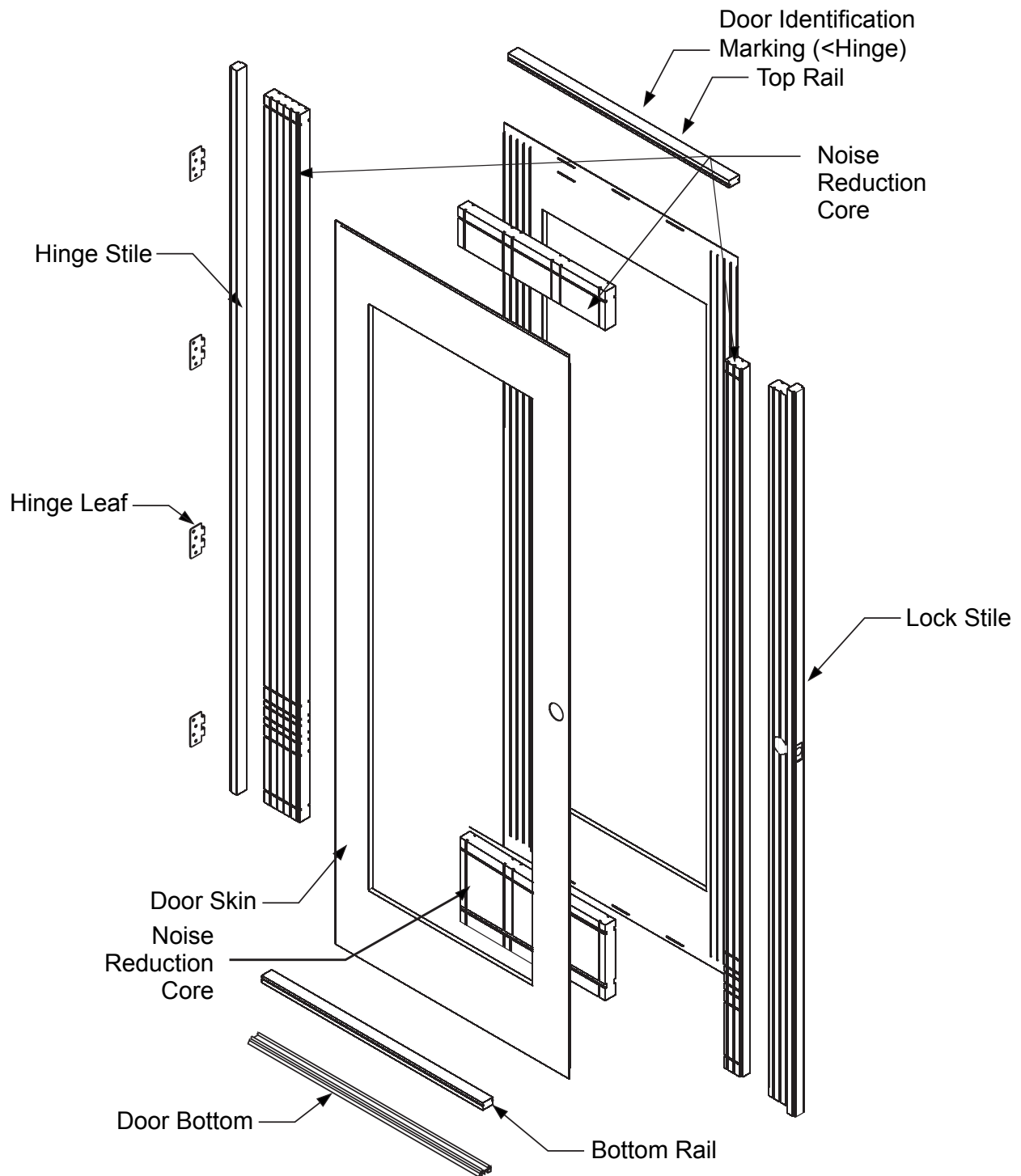


8/0 Smooth-Star

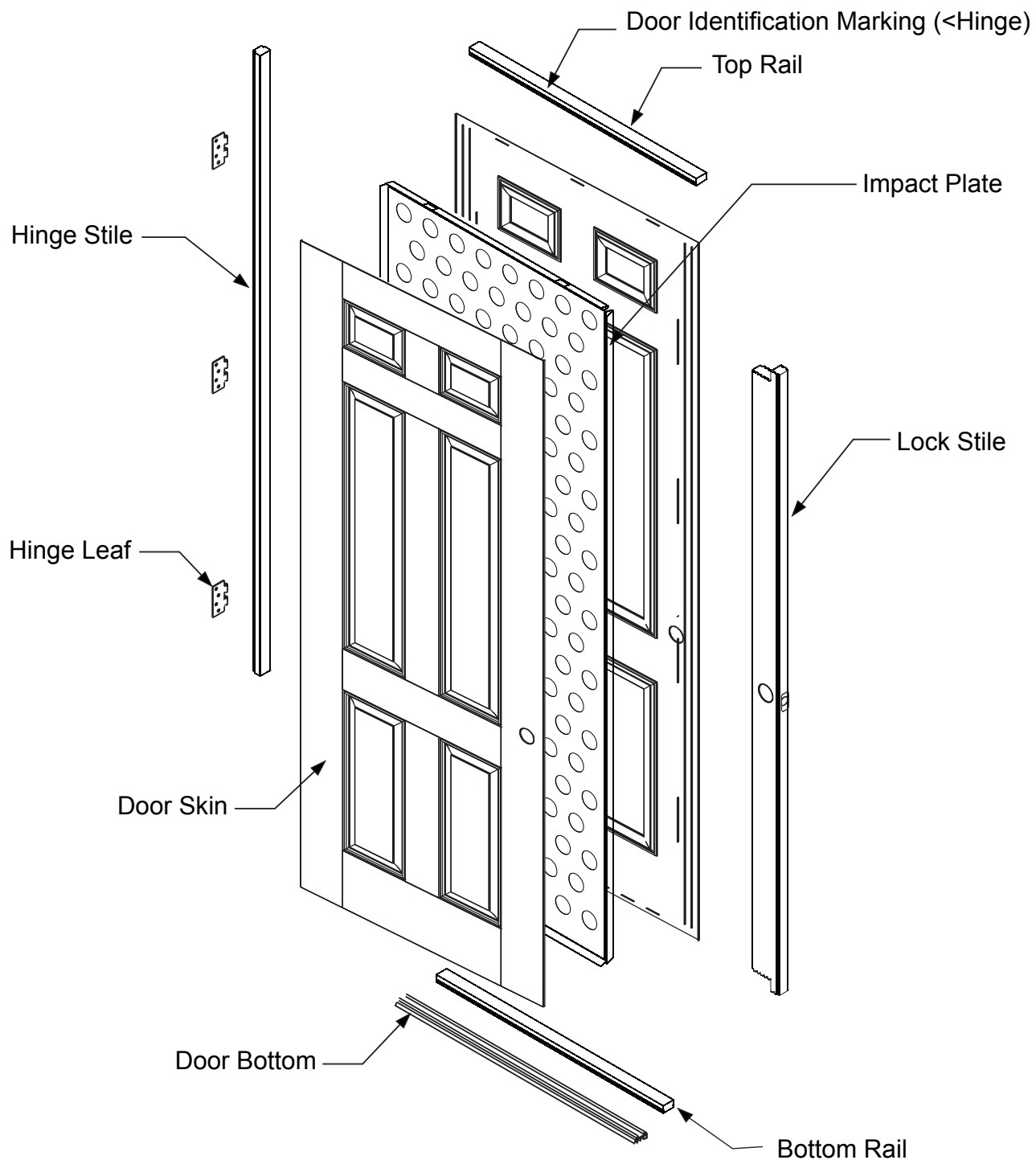


Smooth-Star Noise Reduction
(Factory Cutout Only)

Architectural
Details



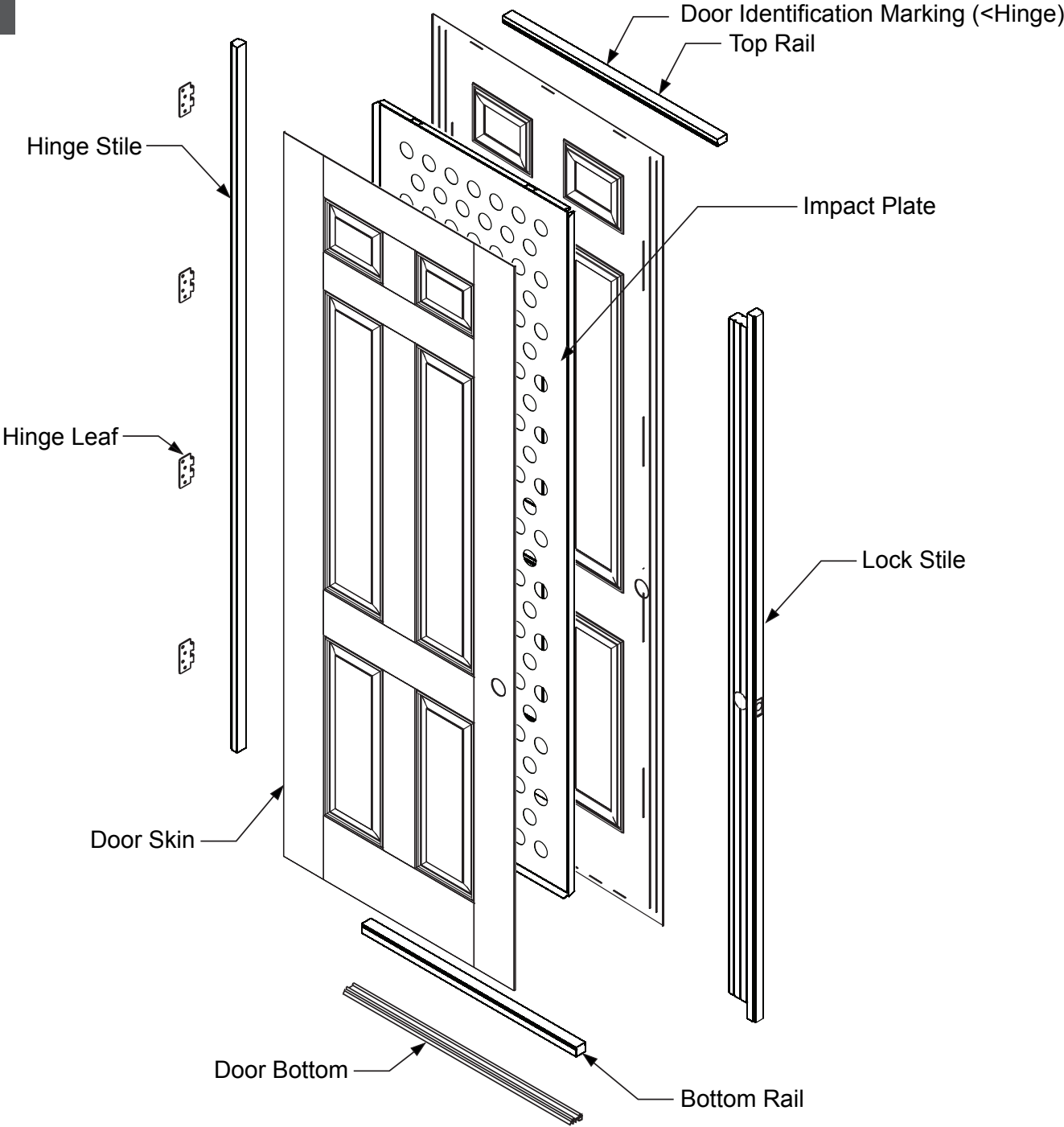
8/0 Smooth-Star Noise Reduction (Factory Cutout Only)



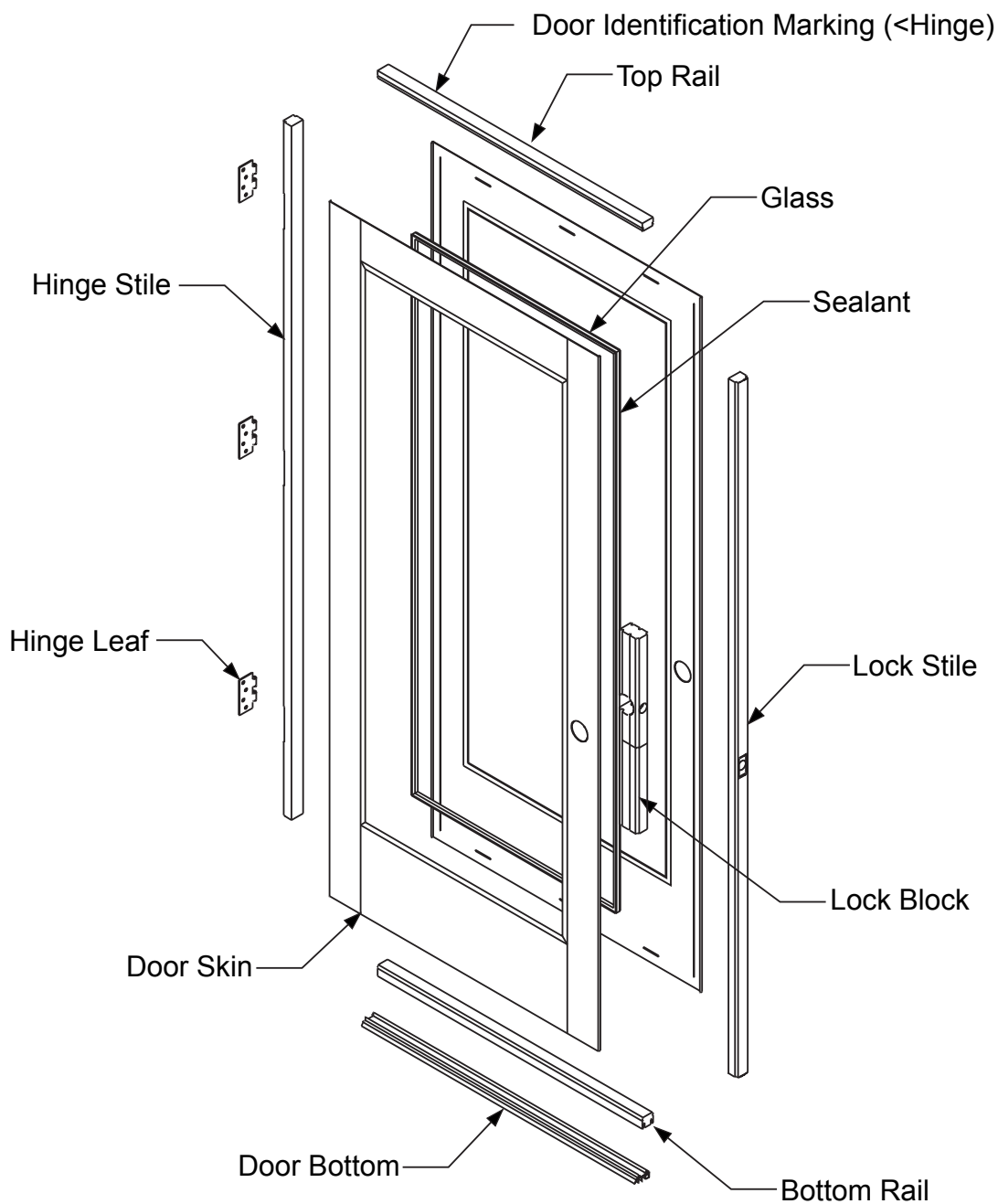
Fiber-Classic/Smooth-Star Impact

Exploded View and Part Identification

Architectural
Details



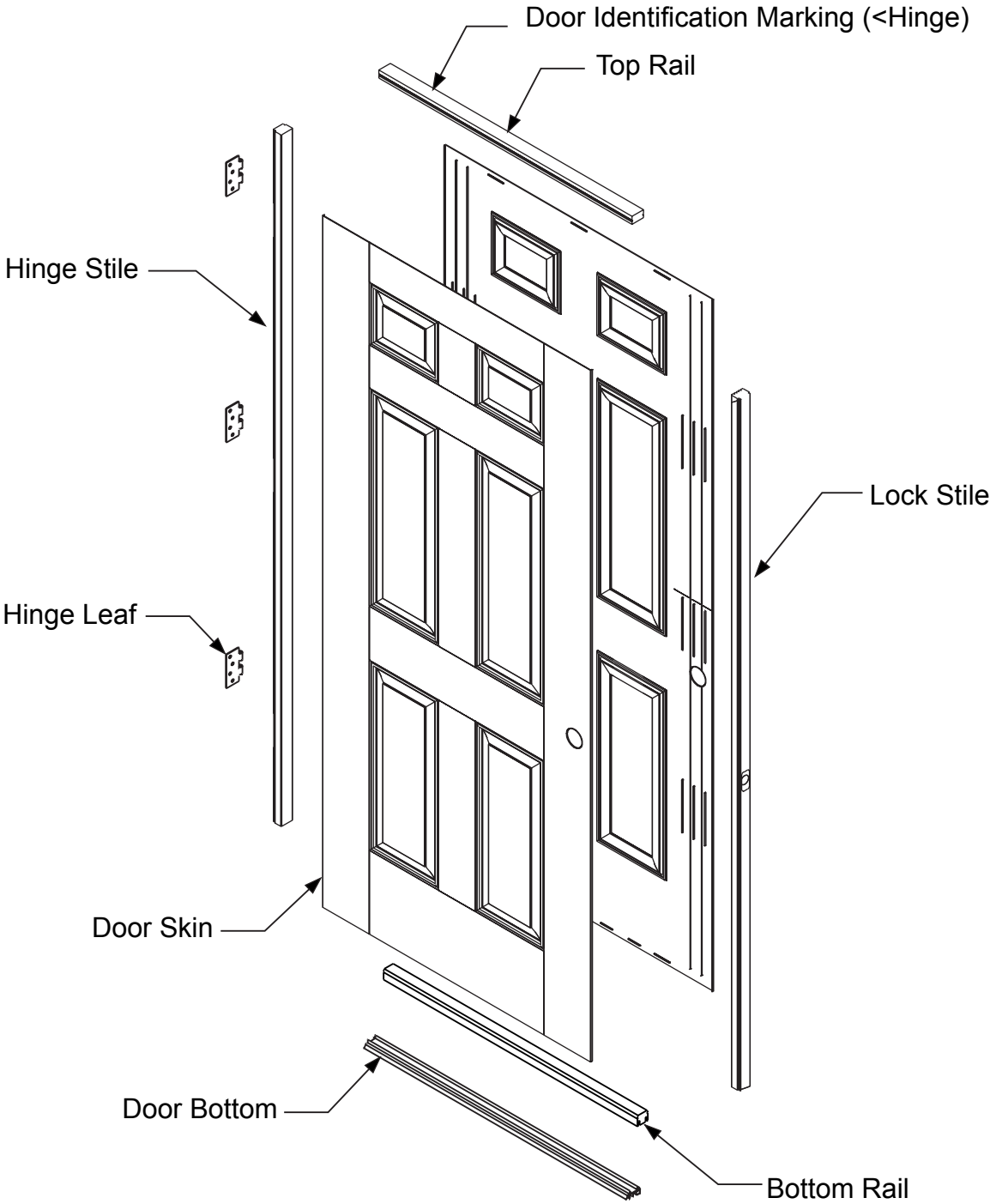
8/0 Fiber-Classic/Smooth-Star Impact



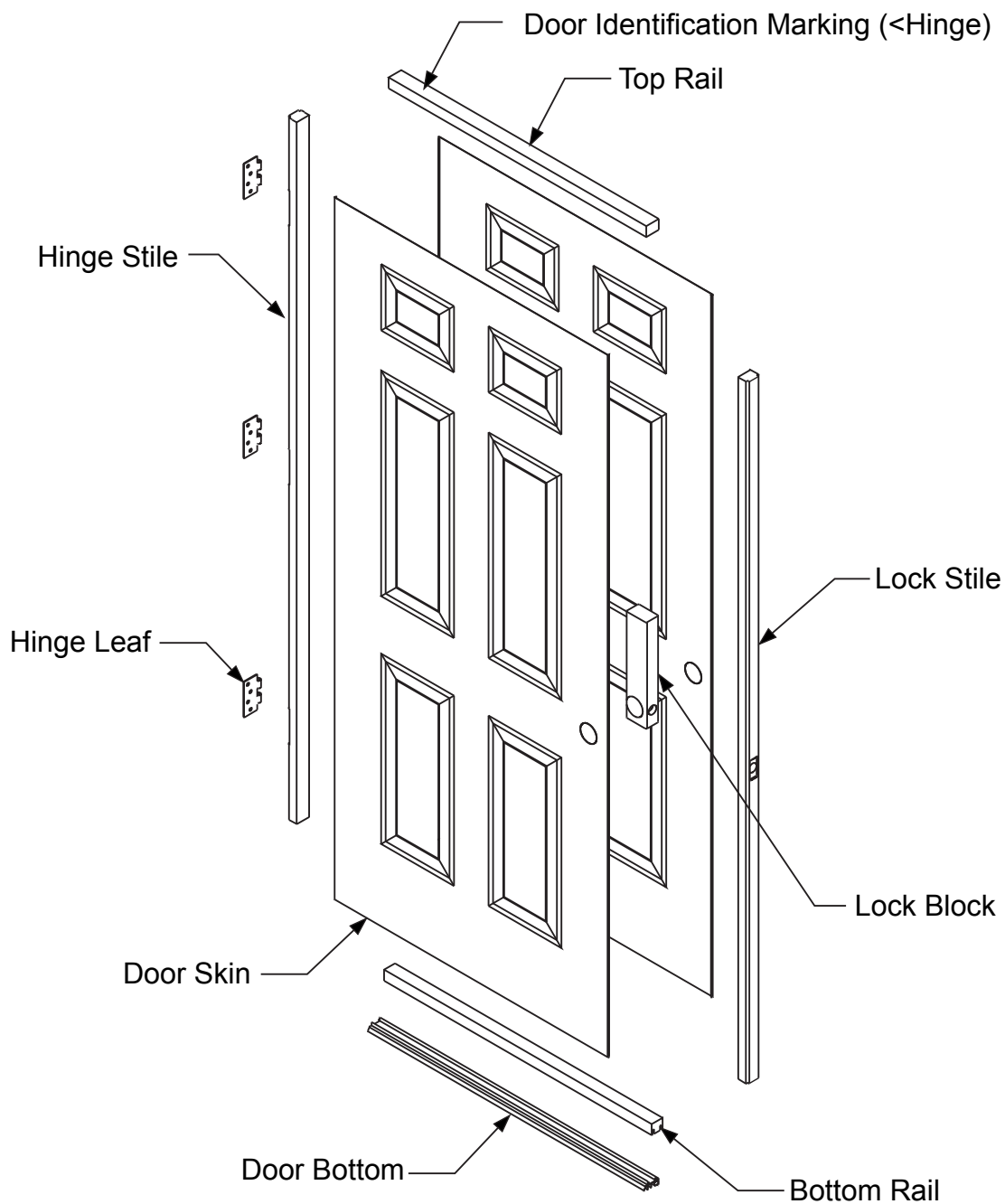
**Flush-Glazed
Fiber-Classic/Smooth-Star**

Exploded View and Part Identification

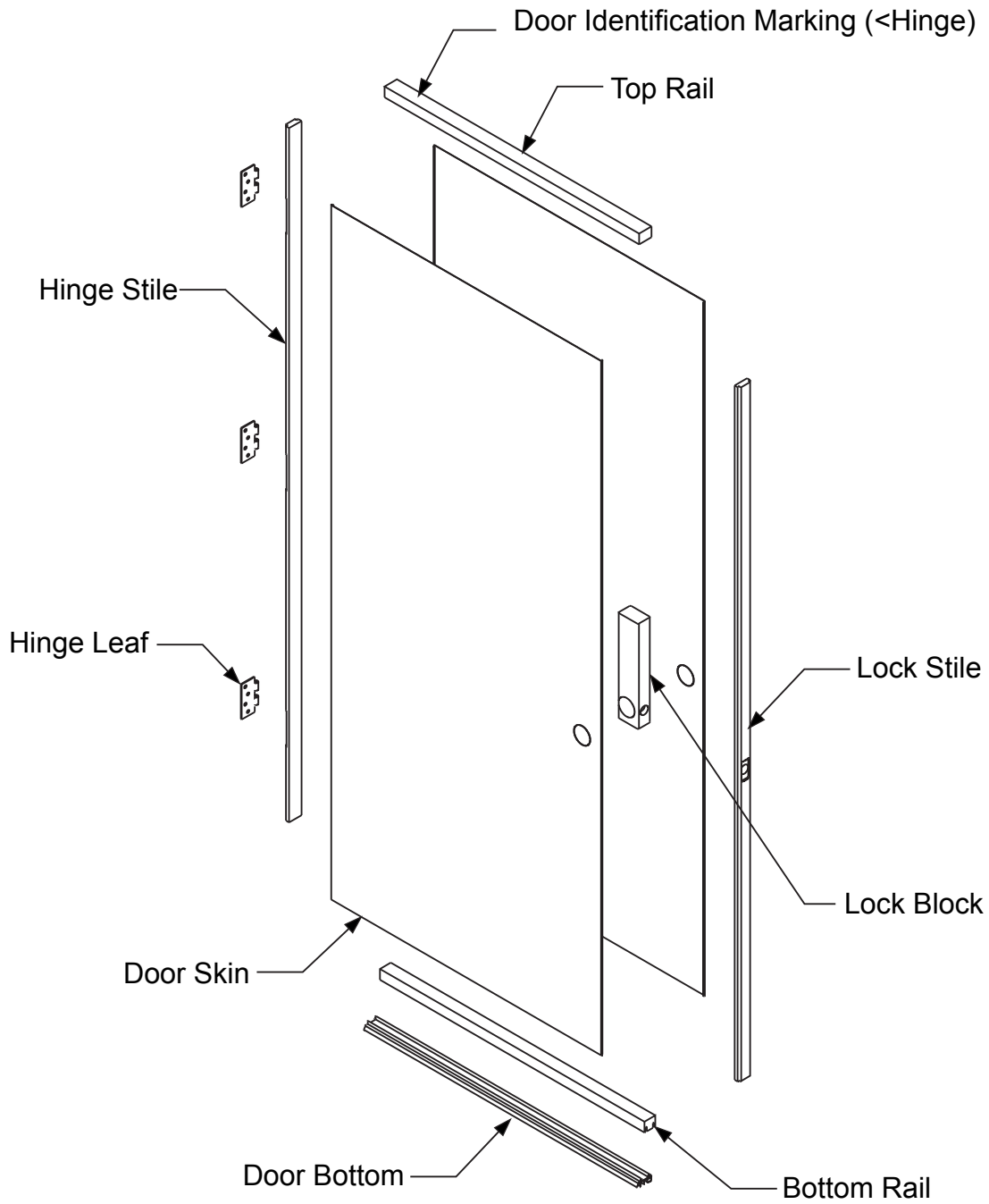
Architectural
Details



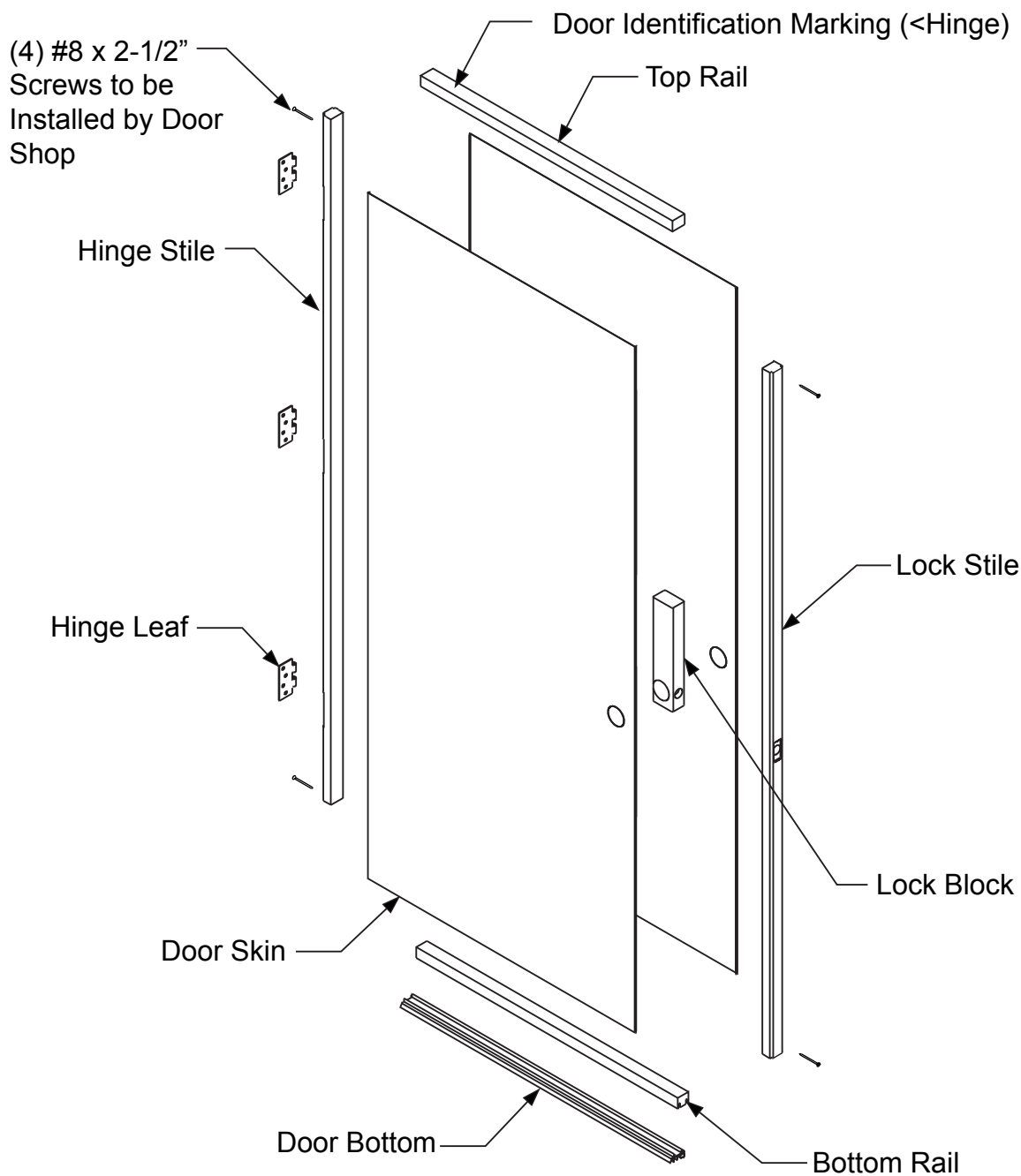
20-Minute Positive Pressure Fiber-Classic & Smooth-Star Fire Door



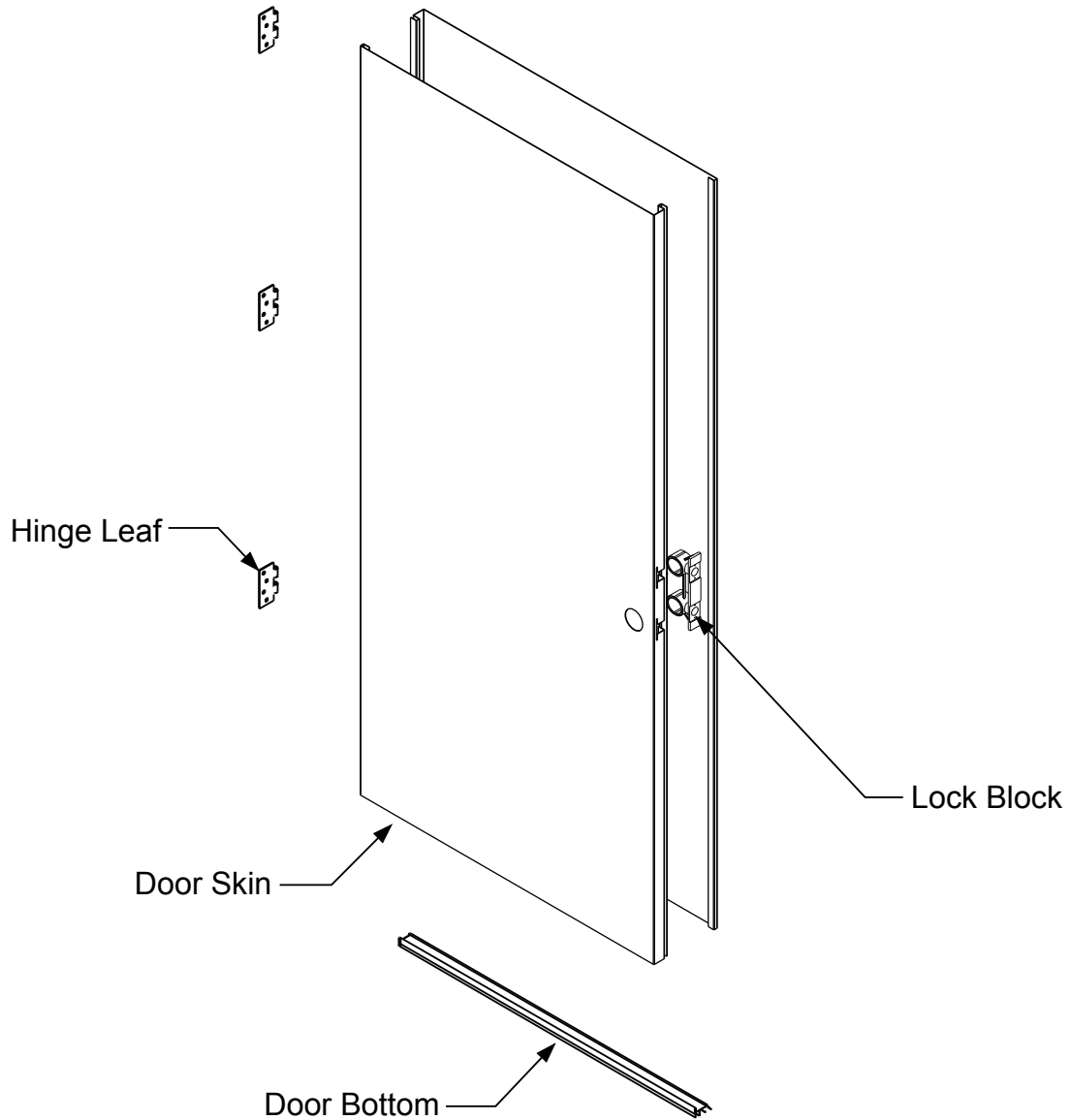
Profiles Steel



Traditions Steel



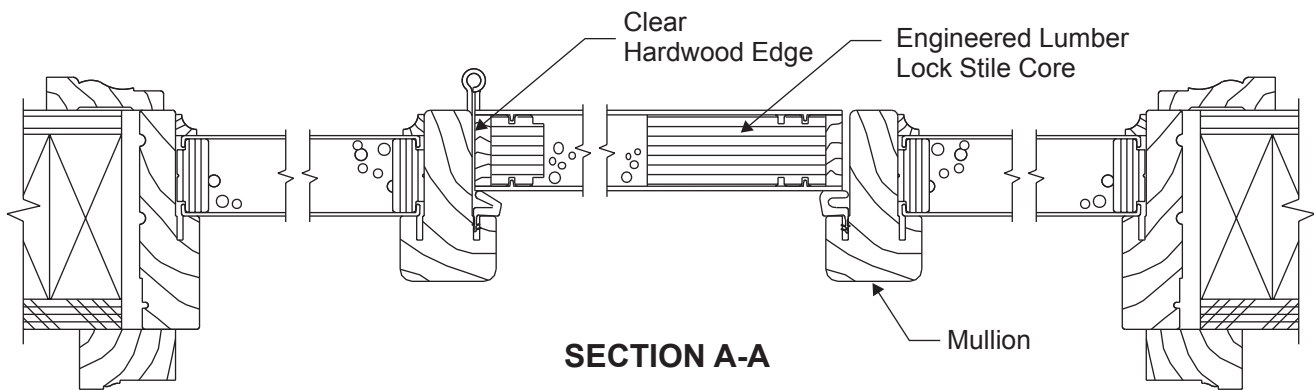
Coastal Steel

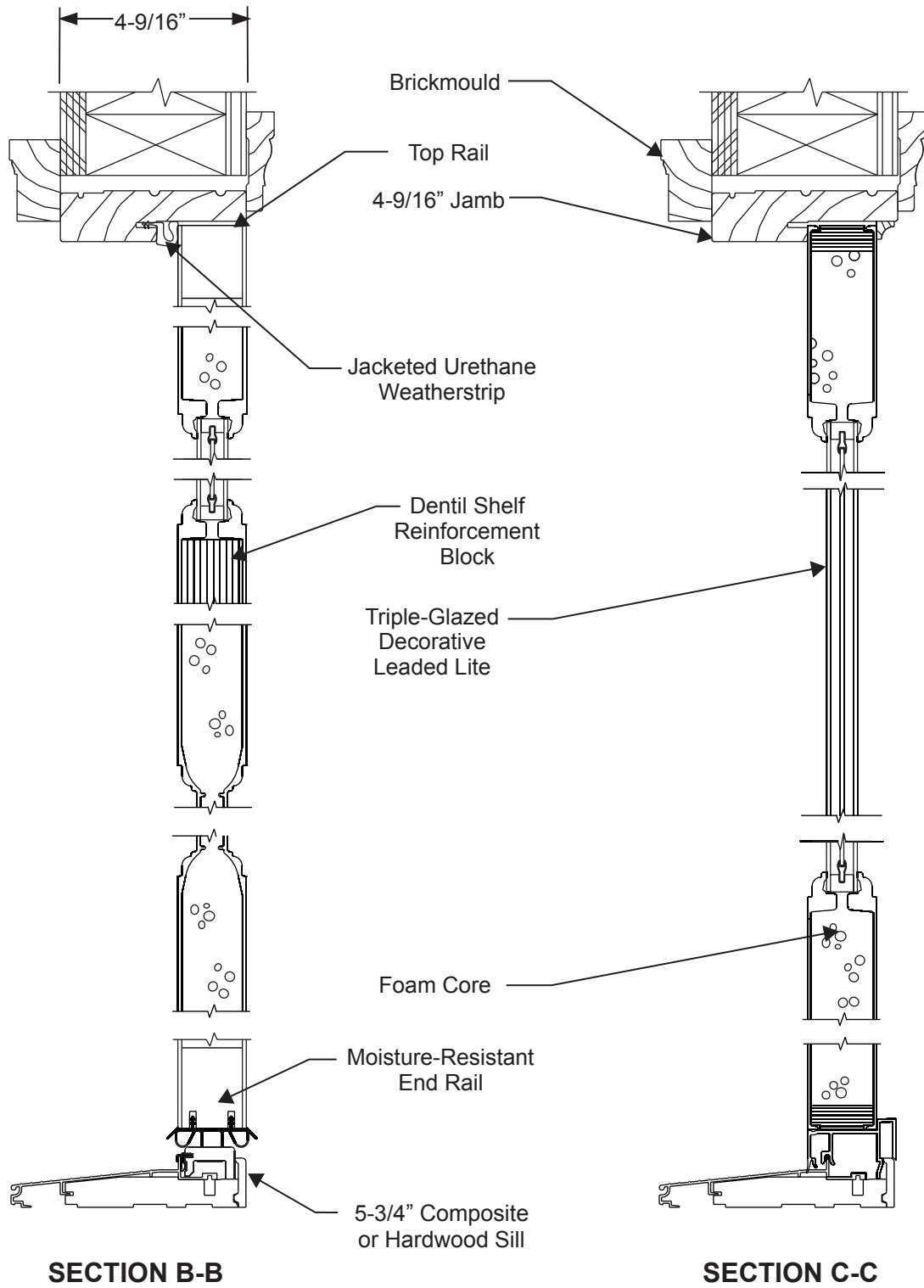


90-Minute Positive Pressure Steel Edge Fire Door

This page intentionally left blank.

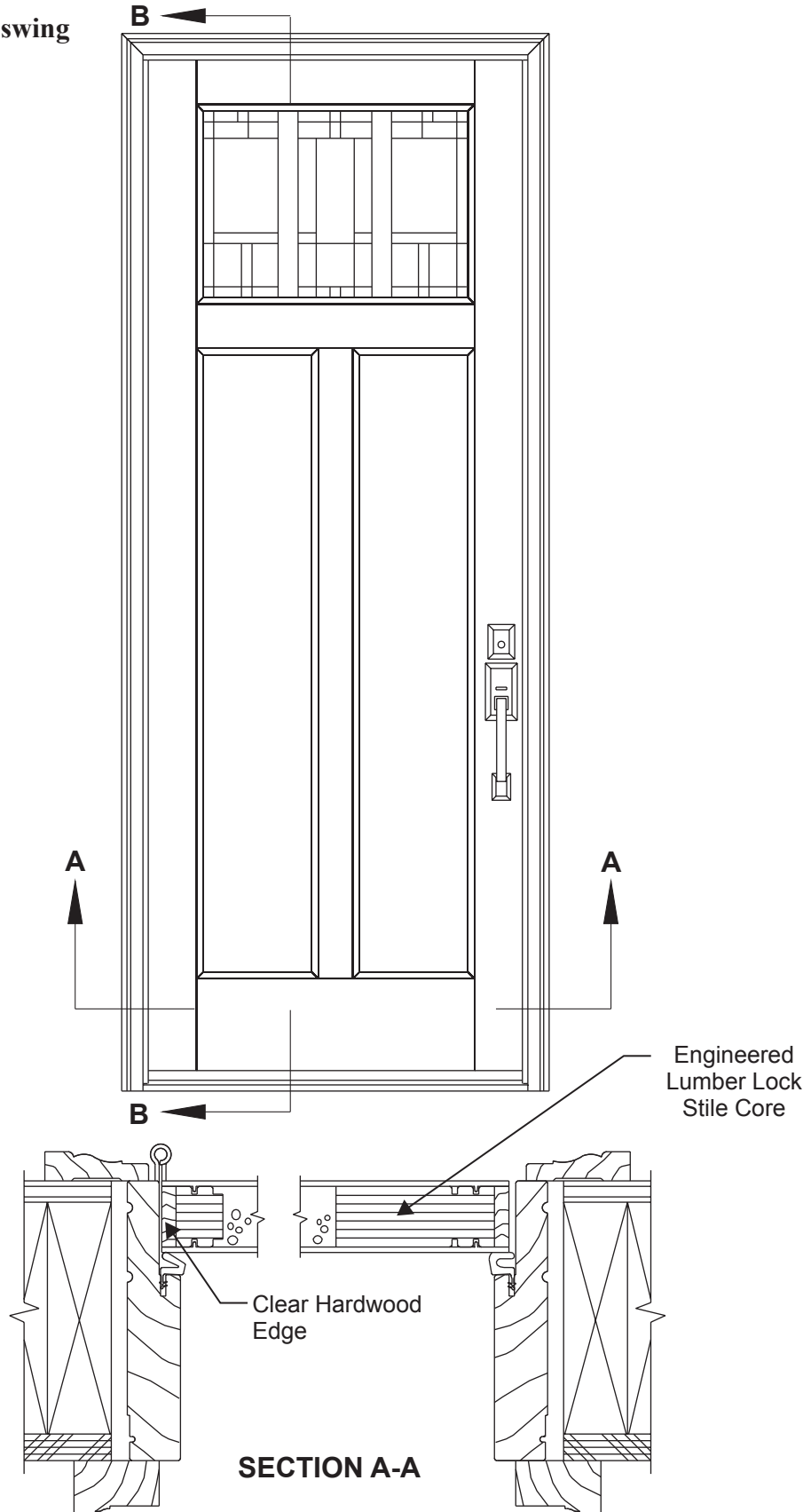
Door/Sidelites with Continuous Head/Sill Frame

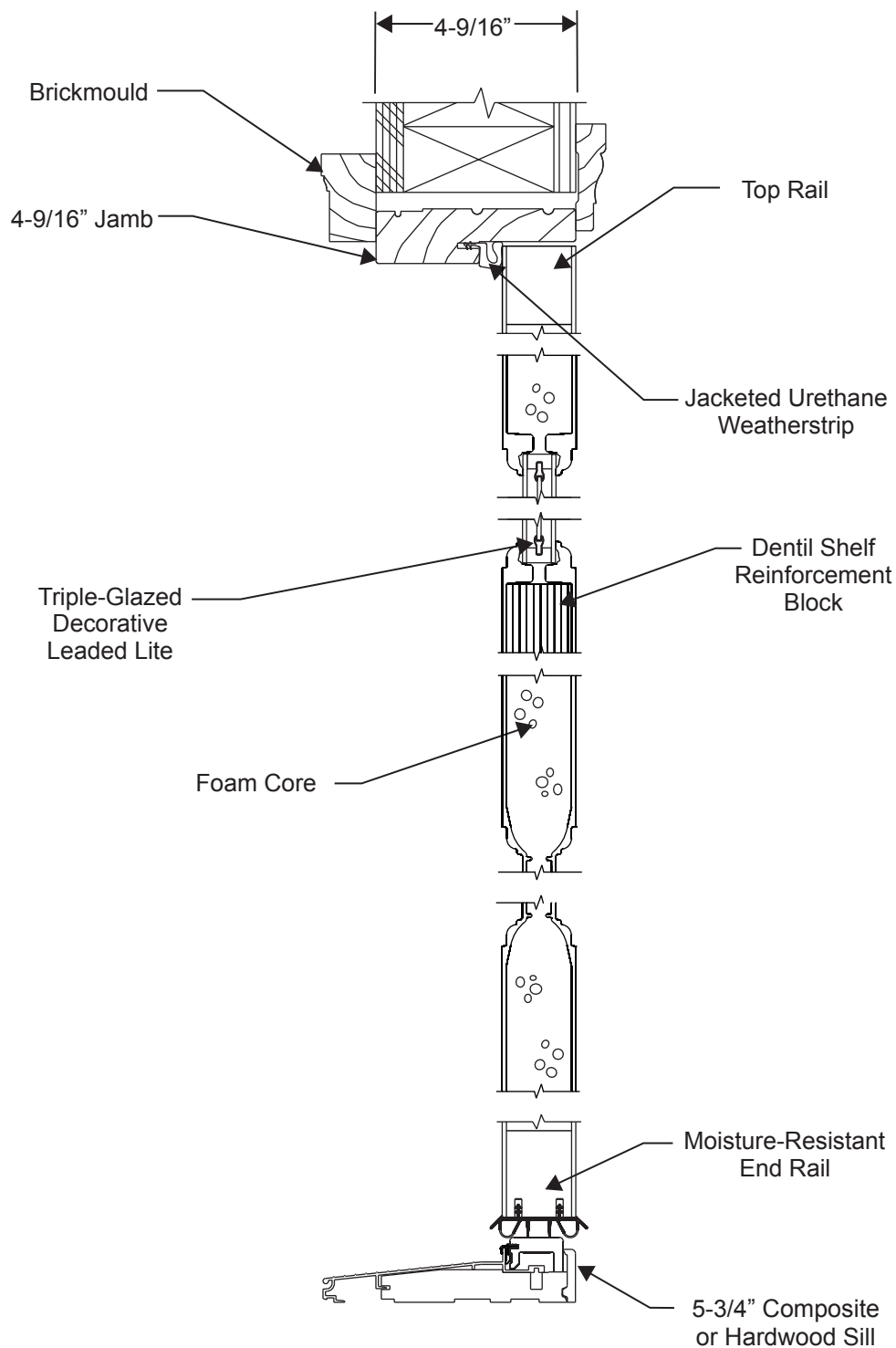




Architectural
Details

Single Door, Inswing



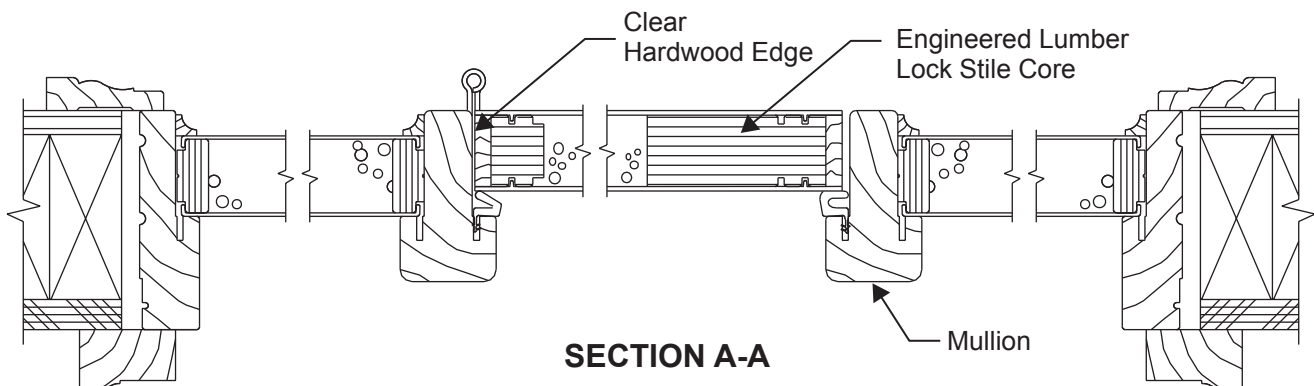
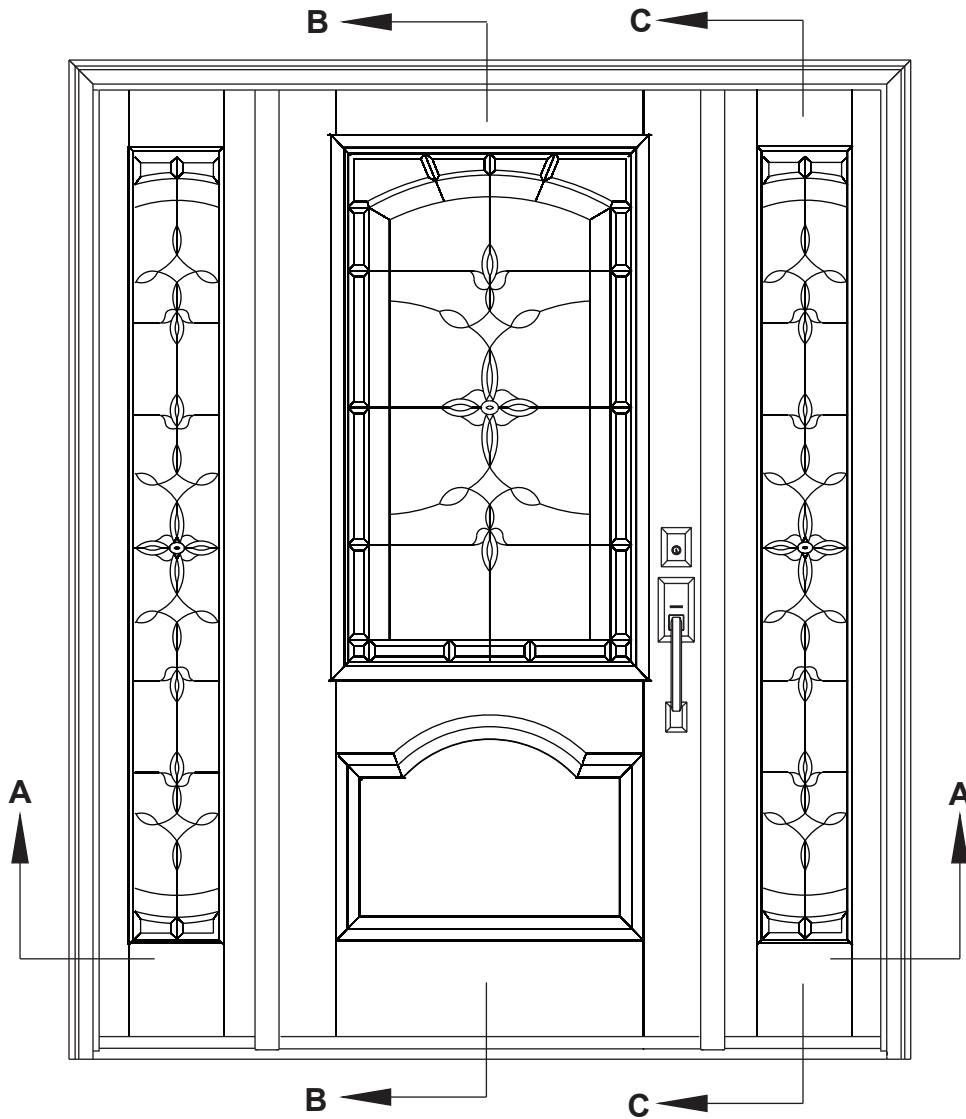


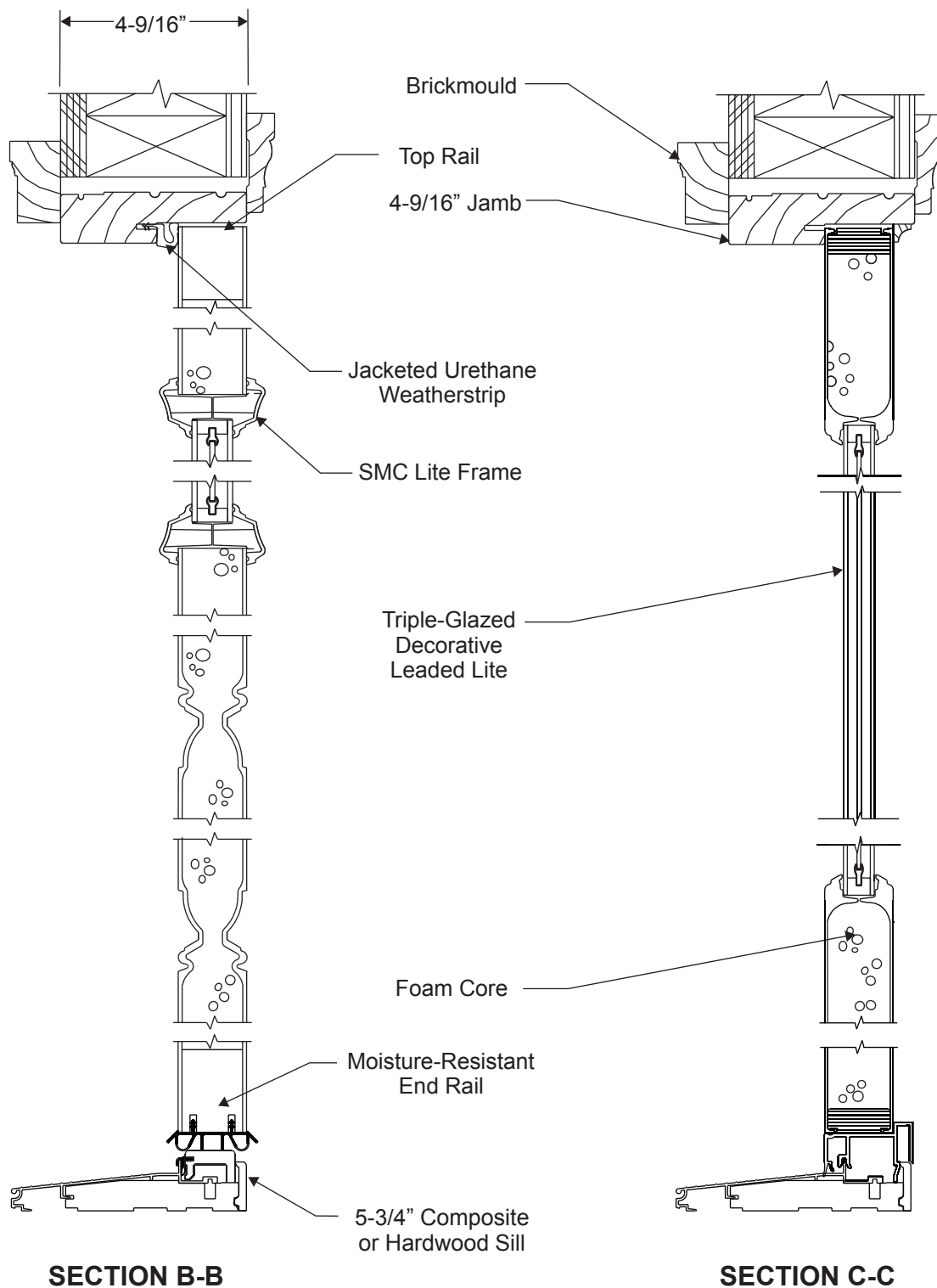
SECTION B-B

Classic-Craft Canvas Style

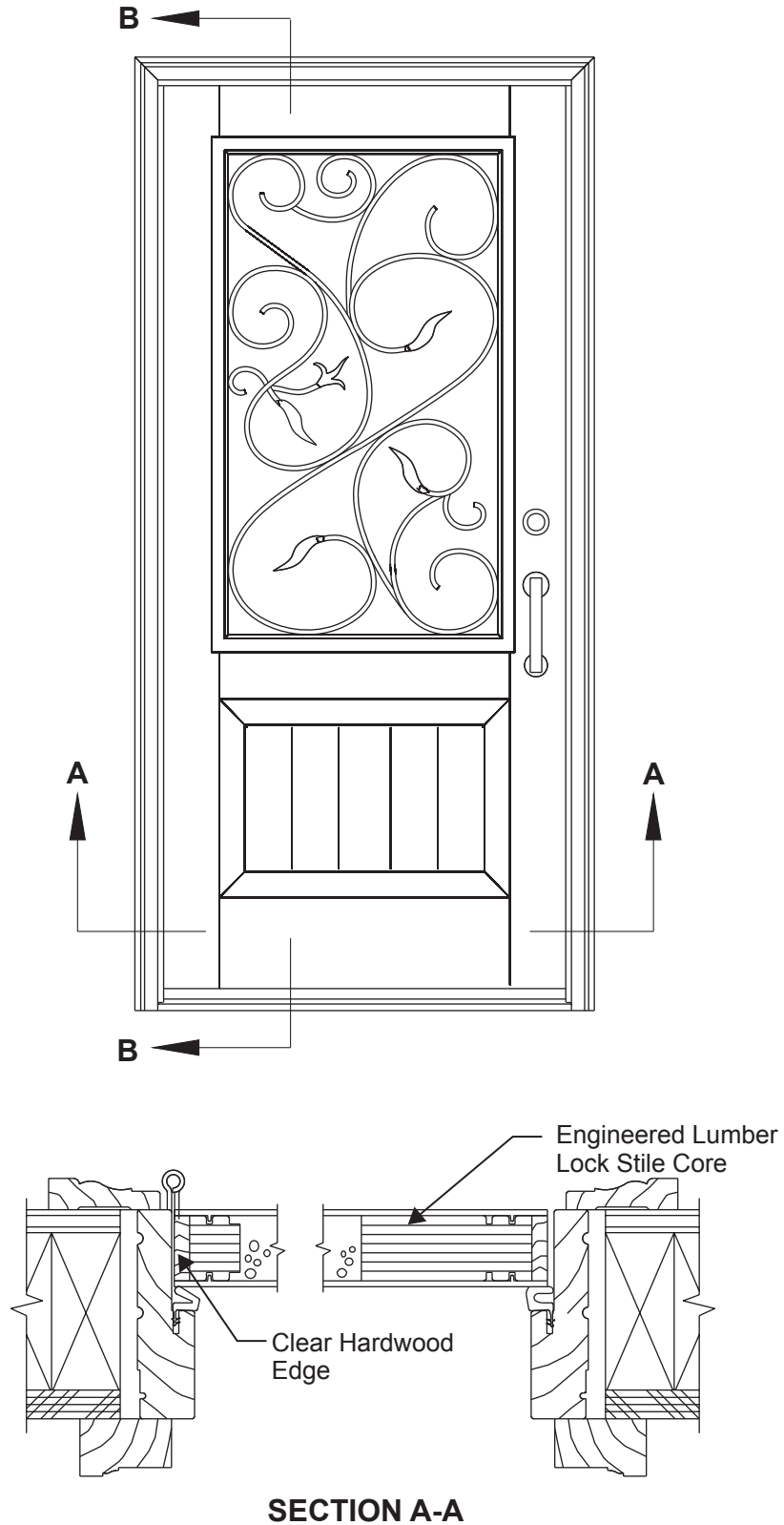
Architectural
Details

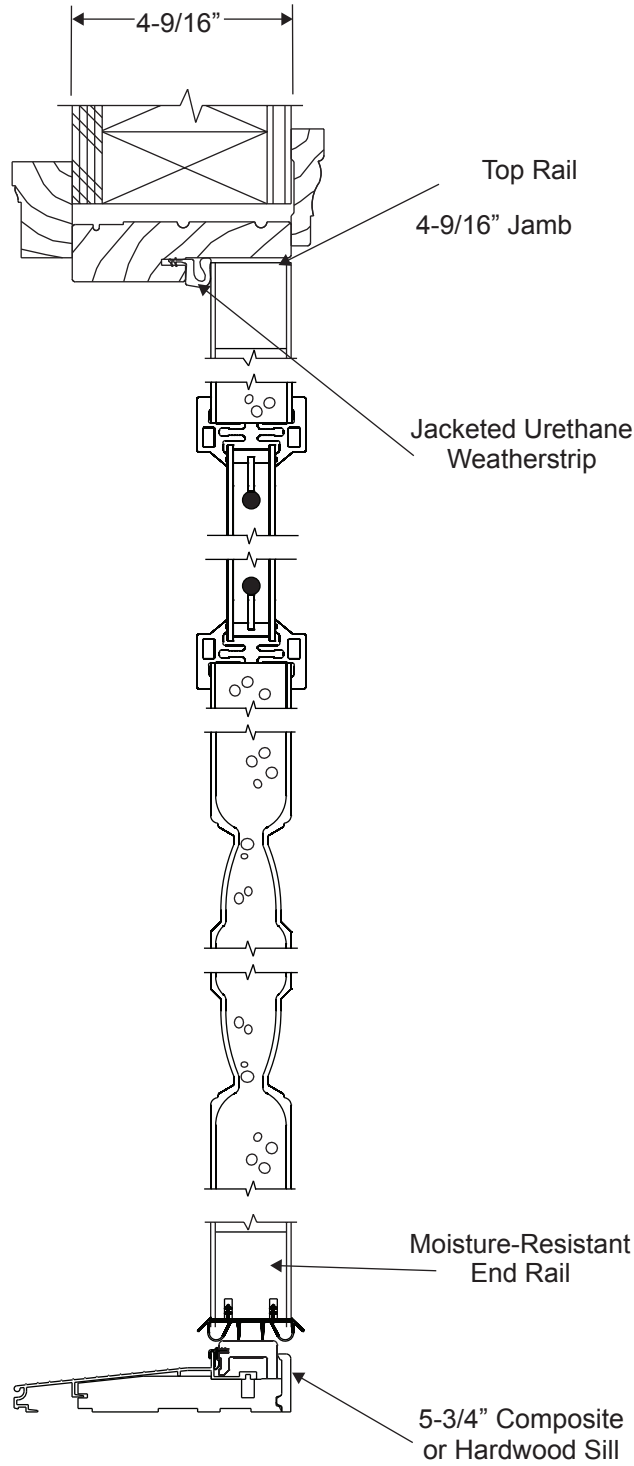
Door/Sidelites with Continuous Head/Sill Frame





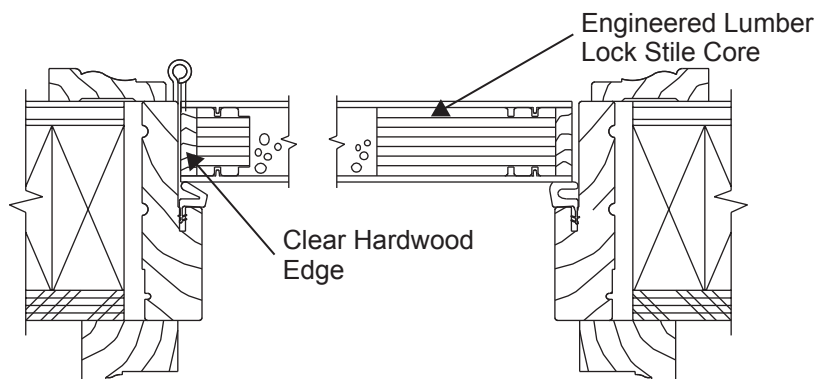
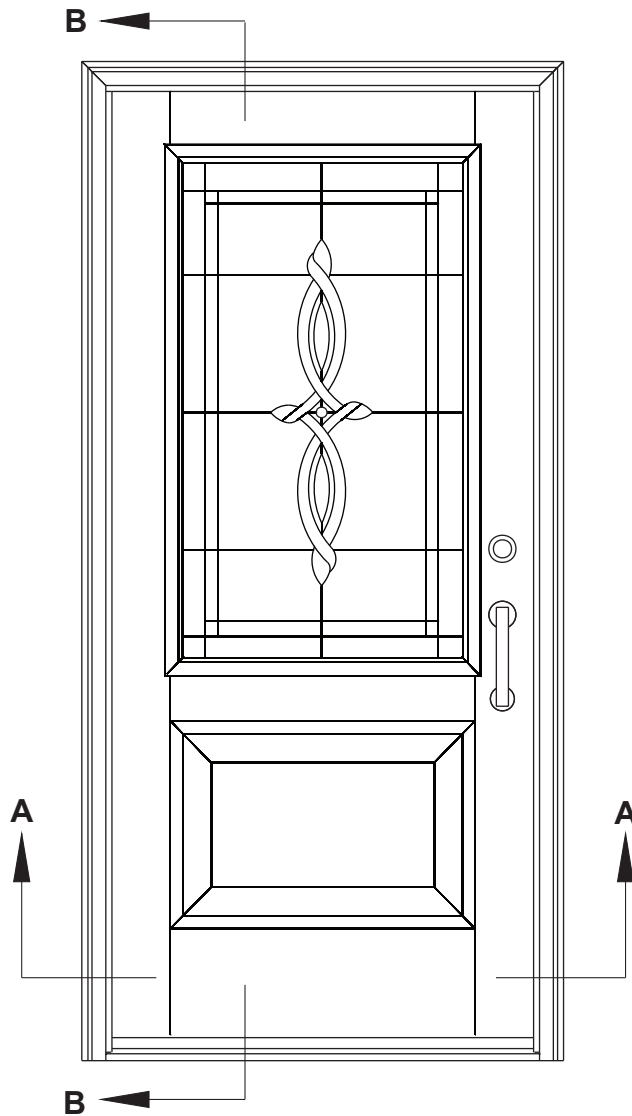
Single Door Inswing



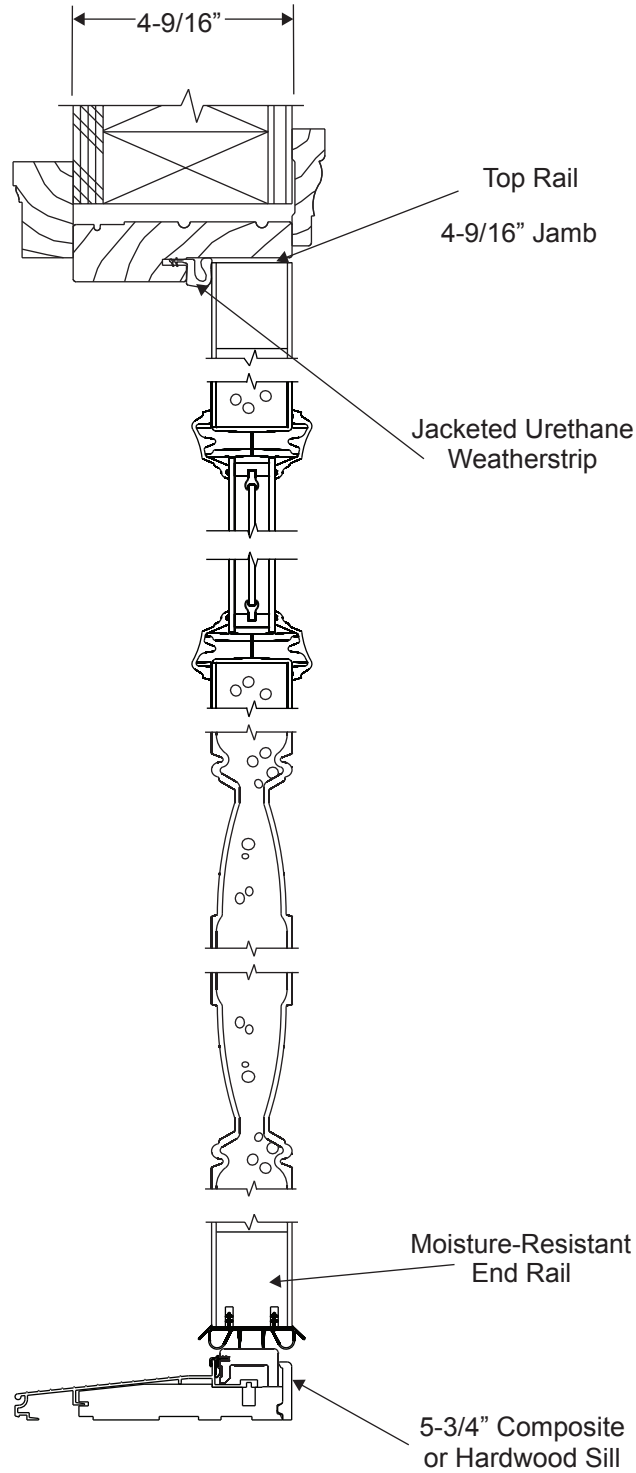


SECTION B-B

Single Door Inswing

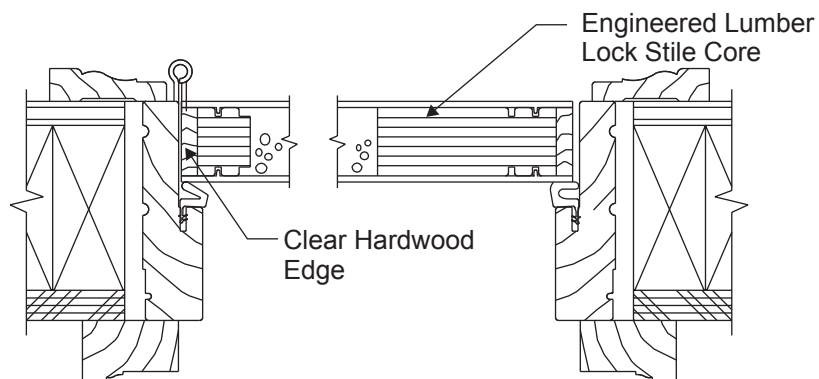
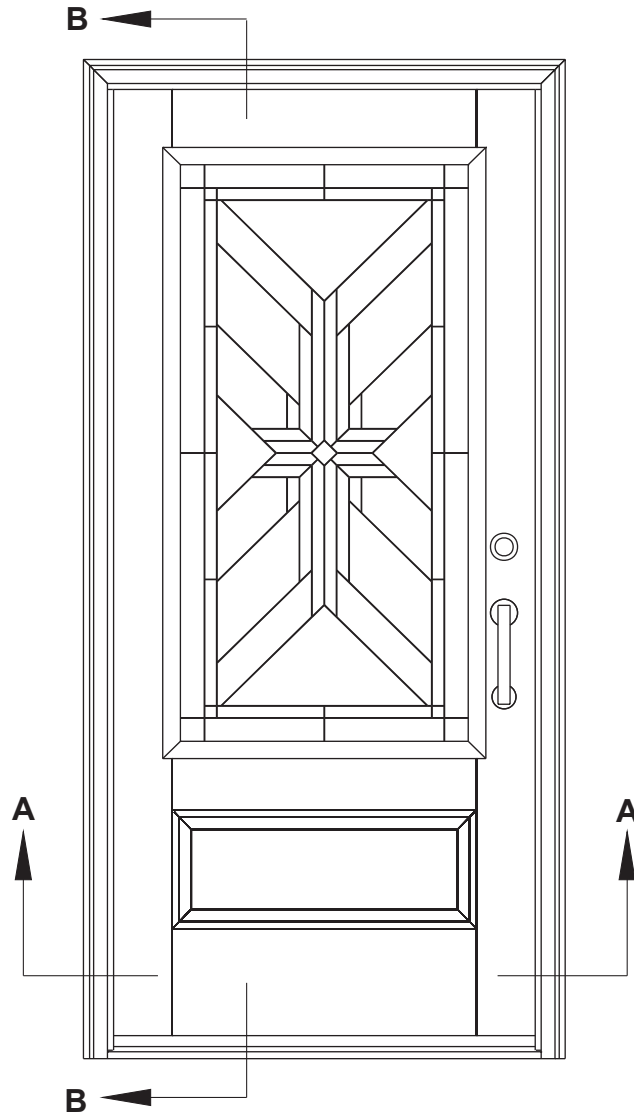


SECTION A-A

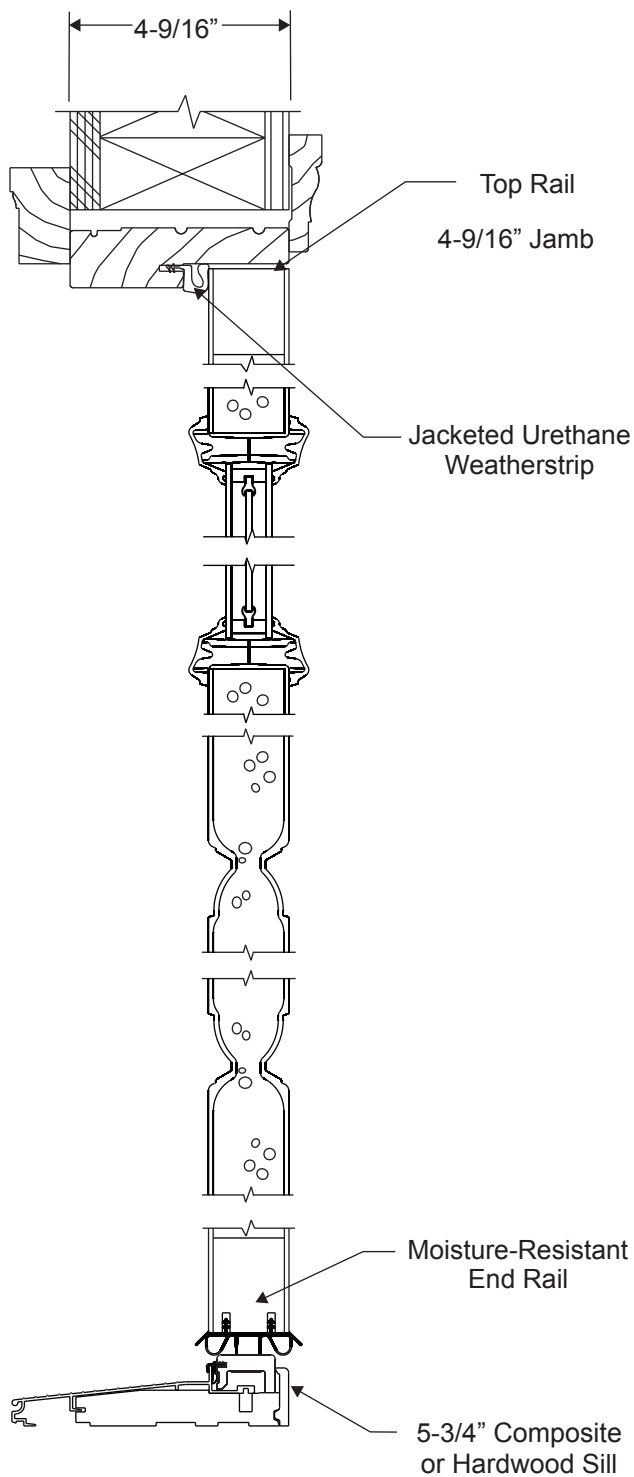


SECTION B-B

Single Door Inswing



SECTION A-A

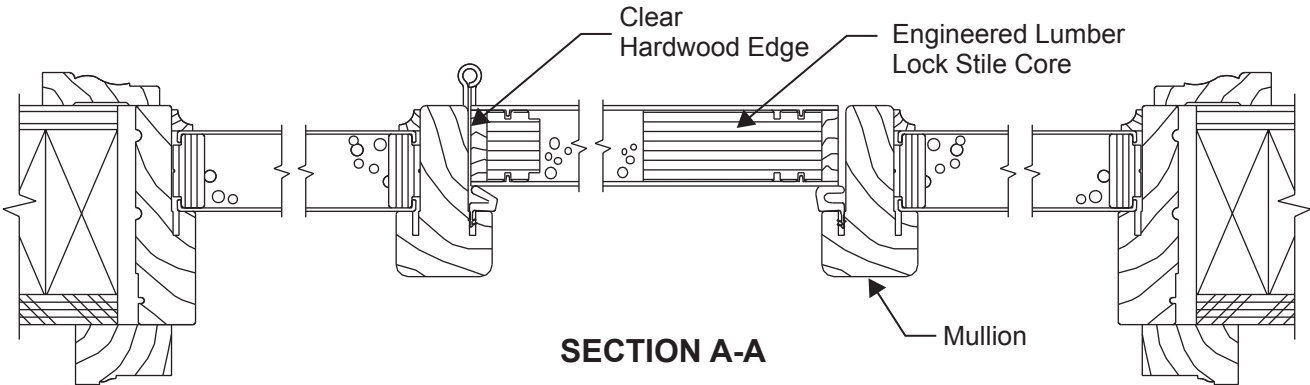
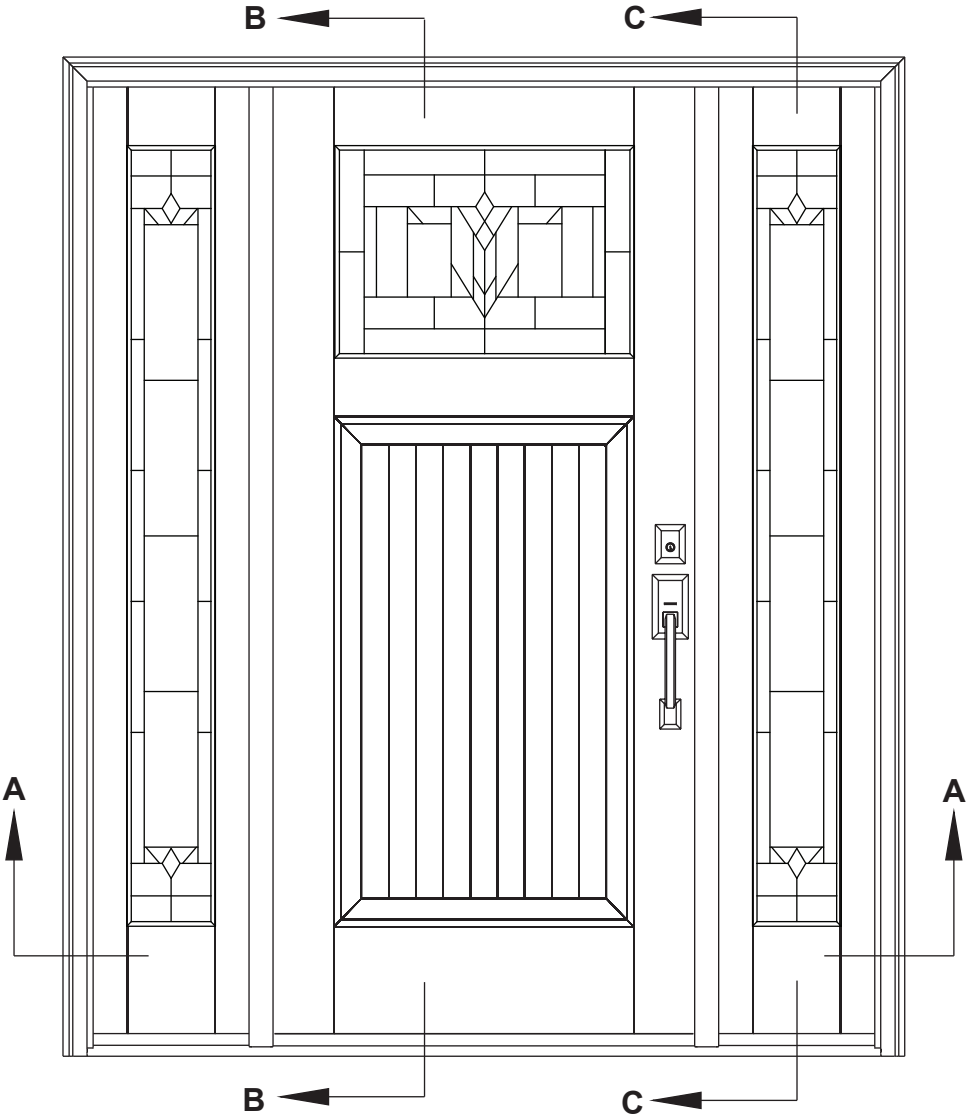


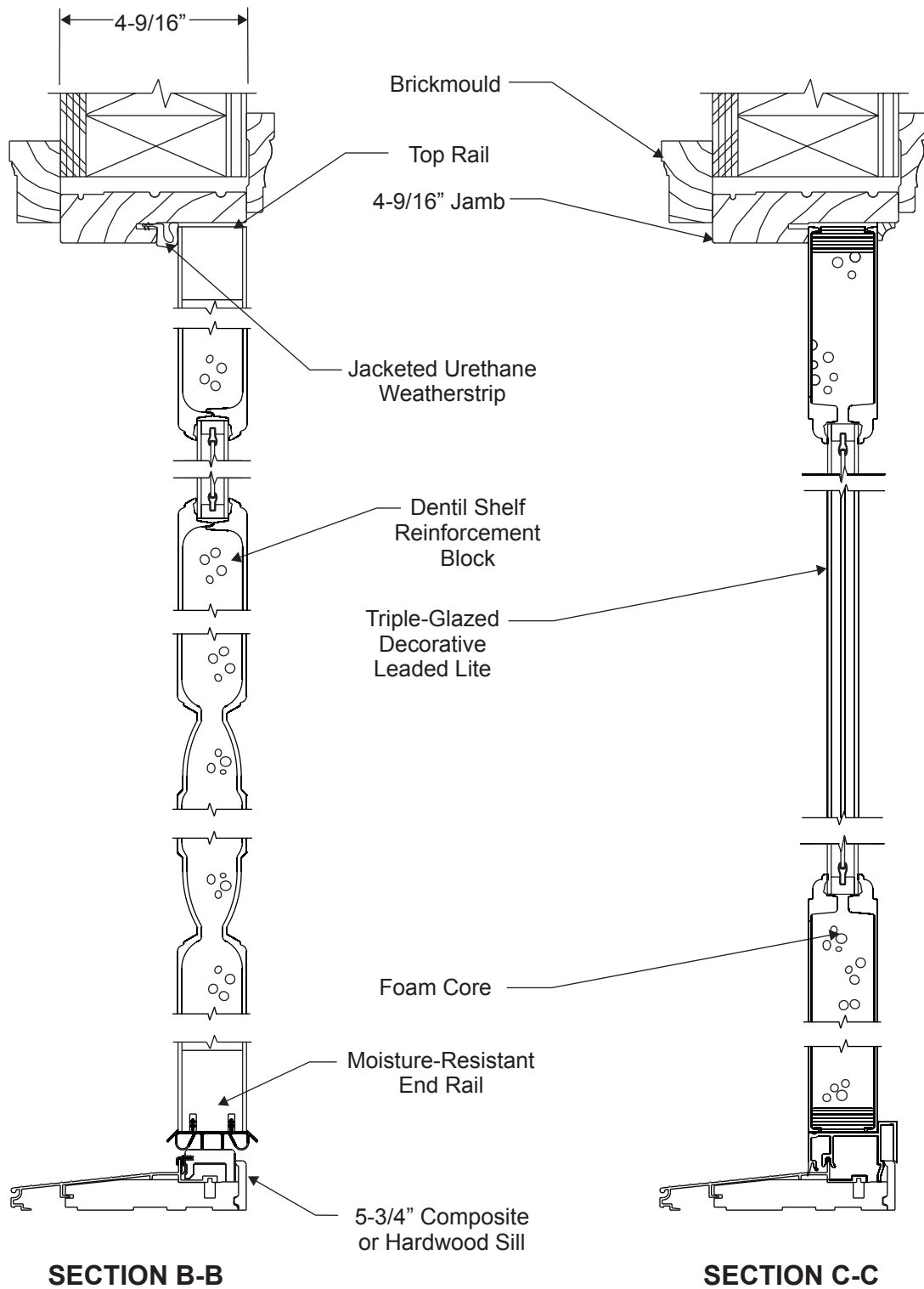
SECTION B-B

Classic-Craft Canvas Style

Architectural
Details

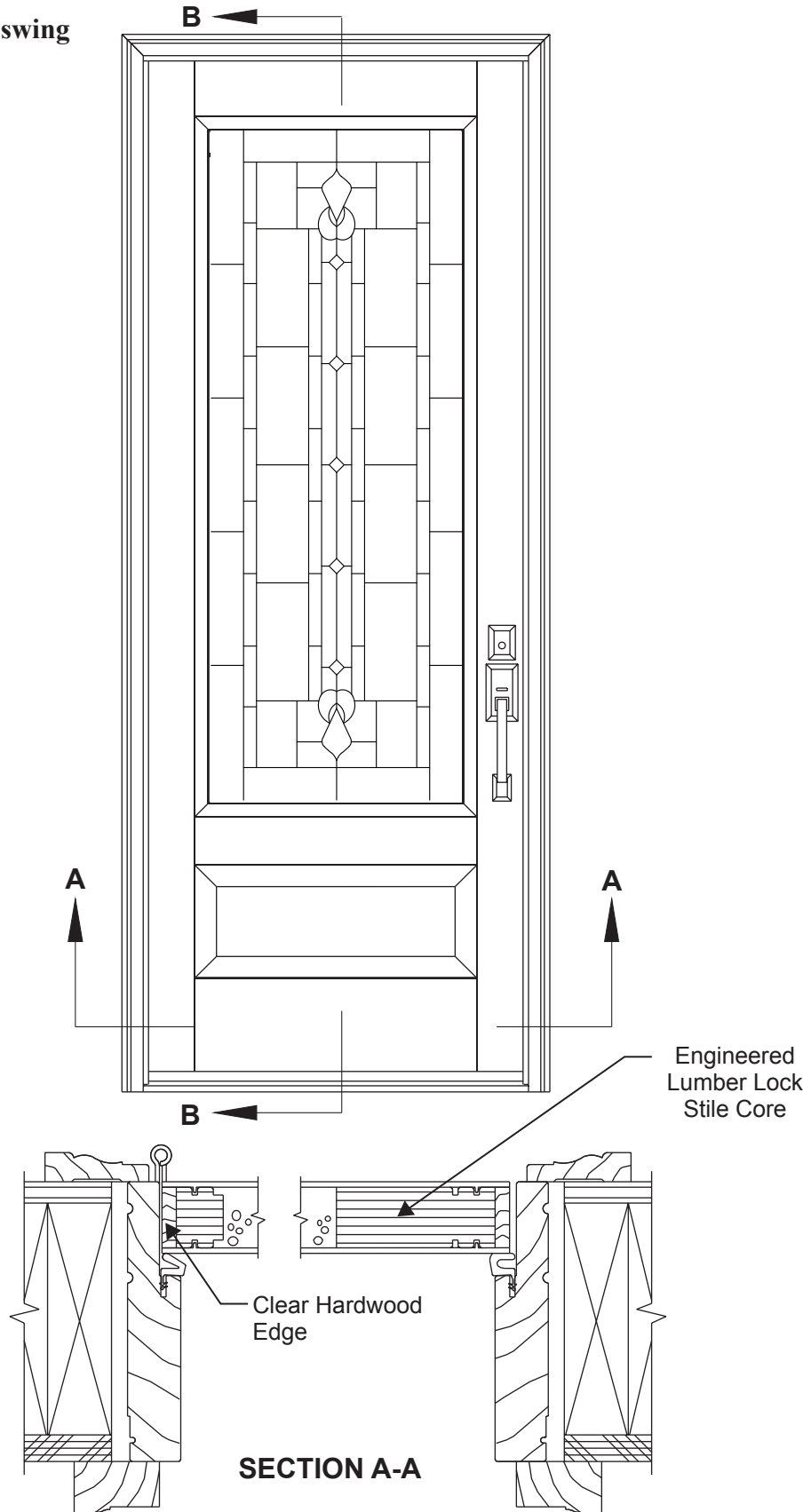
Door/Sidelites with Continuous Head/Sill Frame

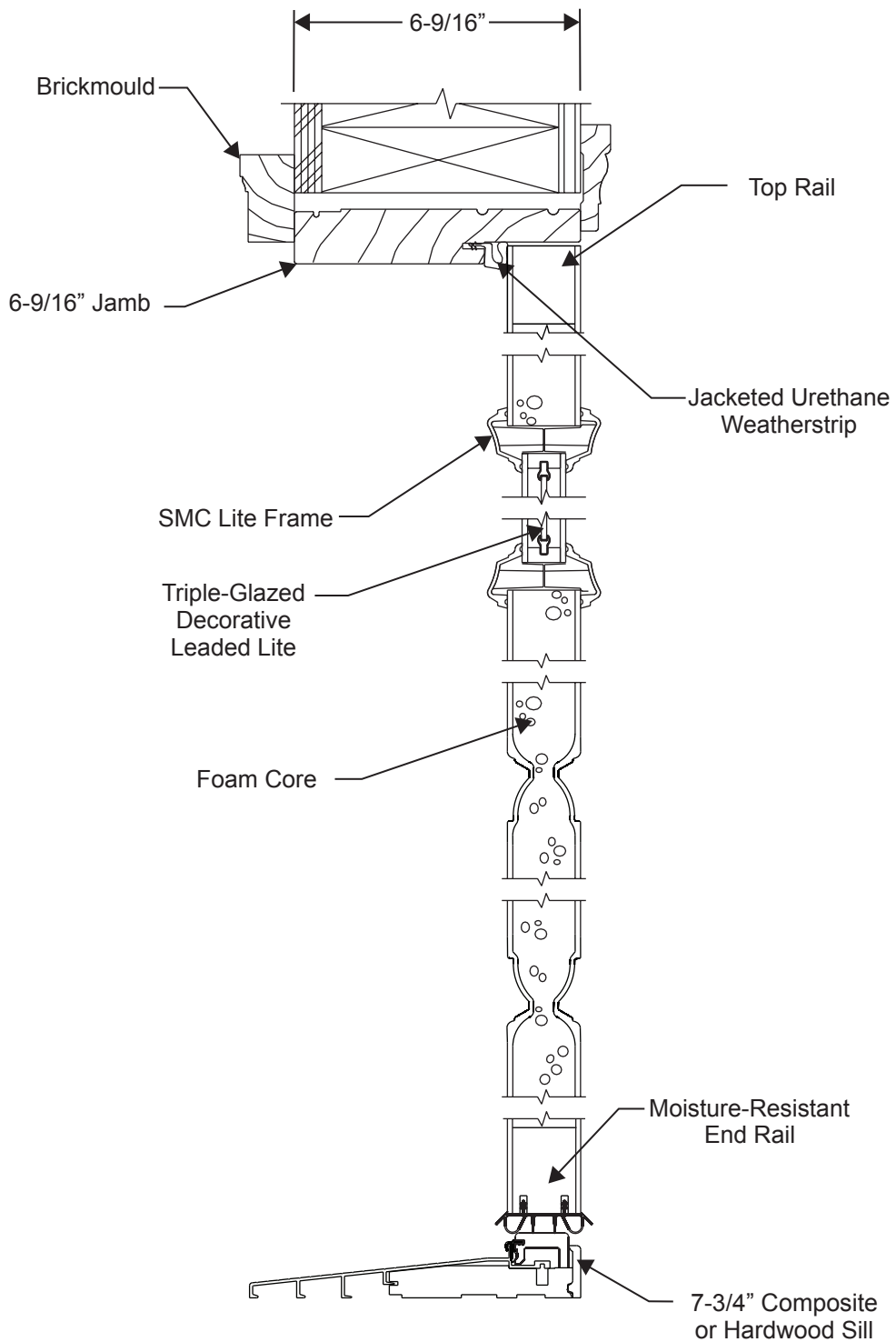




Architectural
Details

Single Door, Inswing



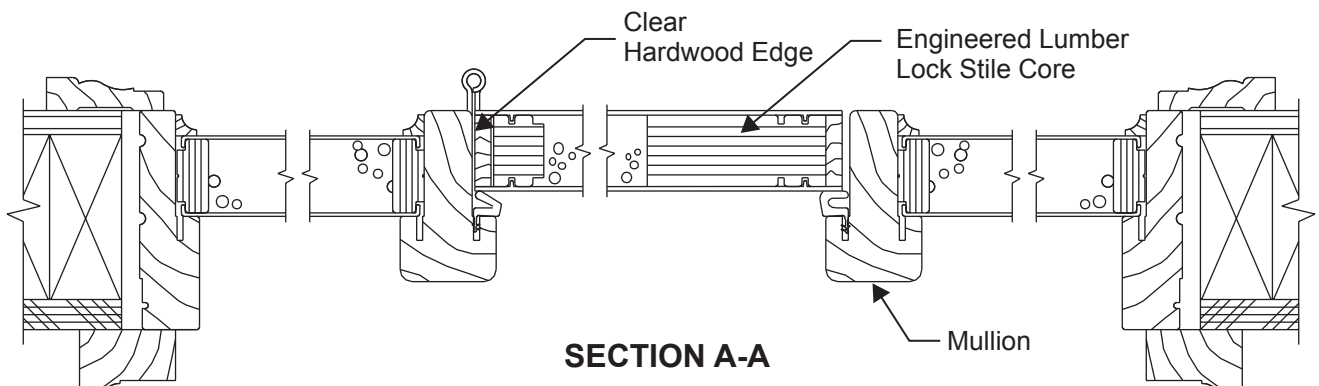
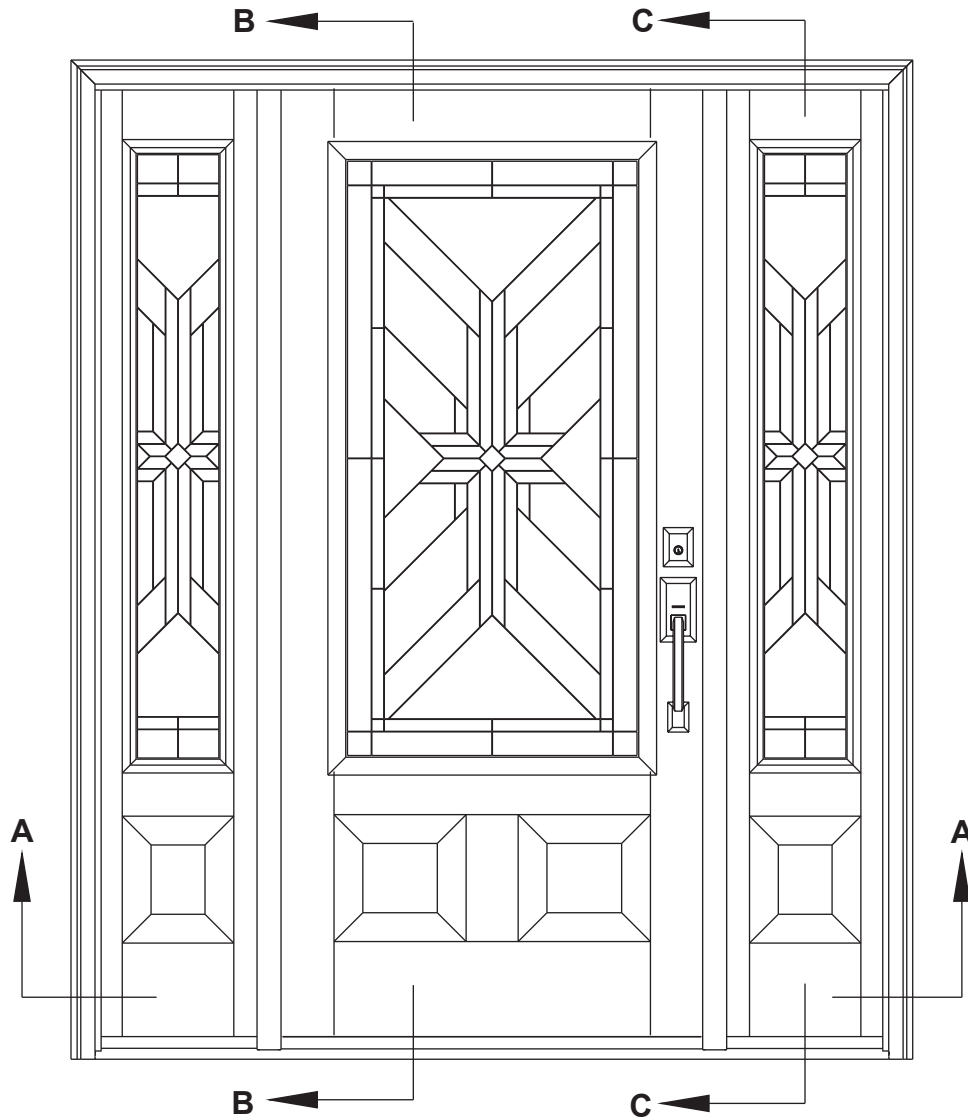


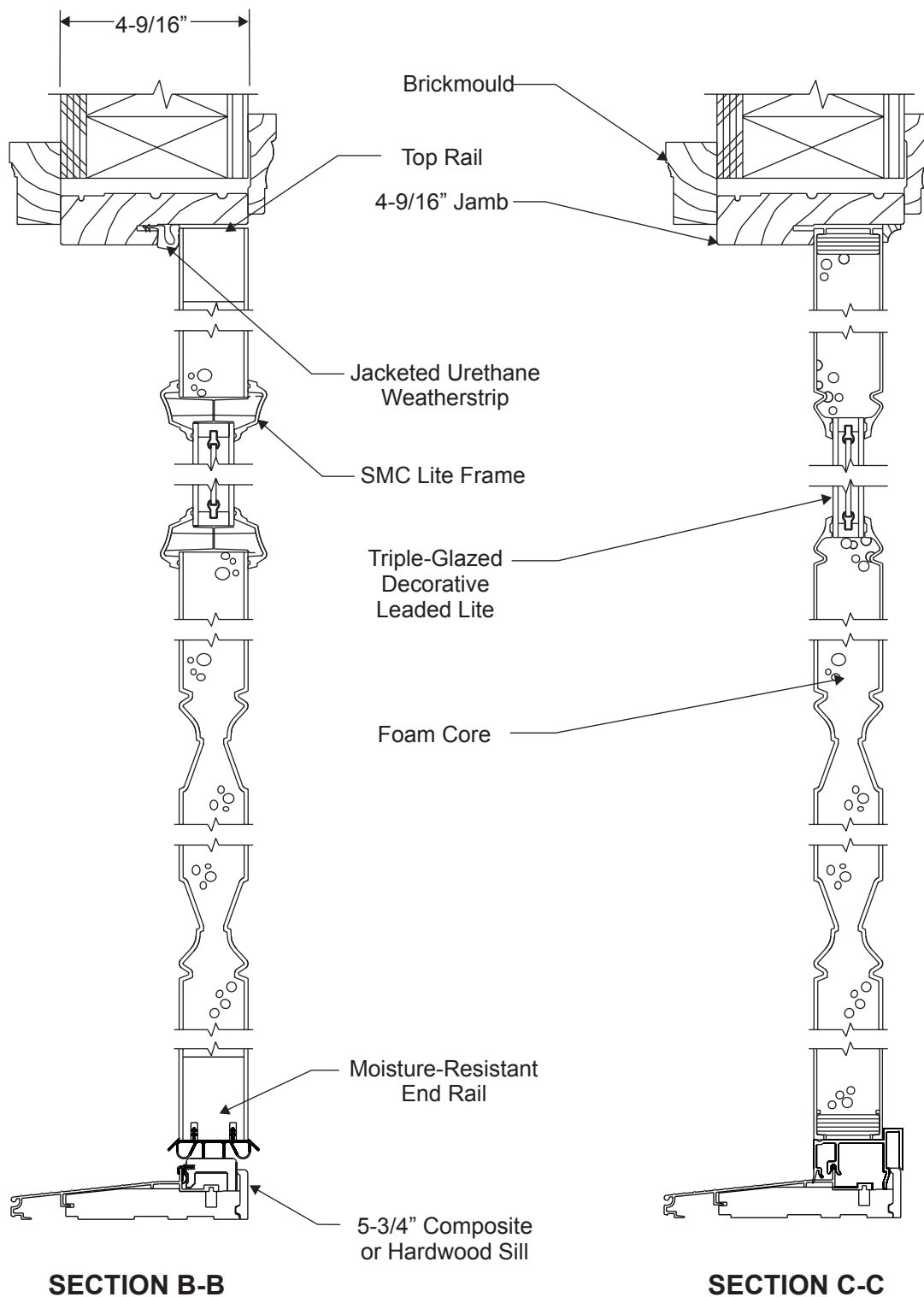
SECTION B-B

Classic-Craft Mahogany

Architectural
Details

Door/Sidelites with Continuous Head/Sill Frame

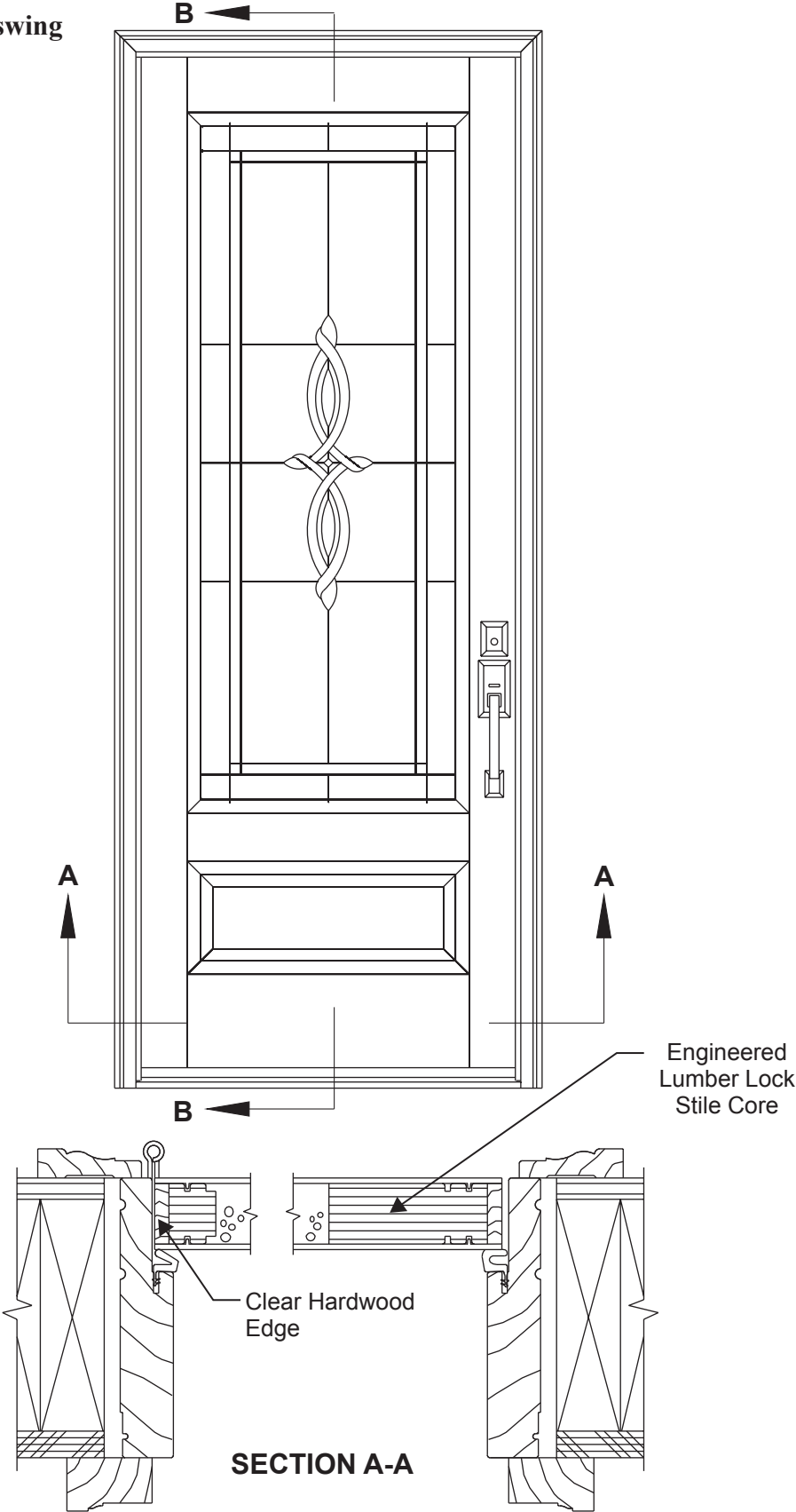


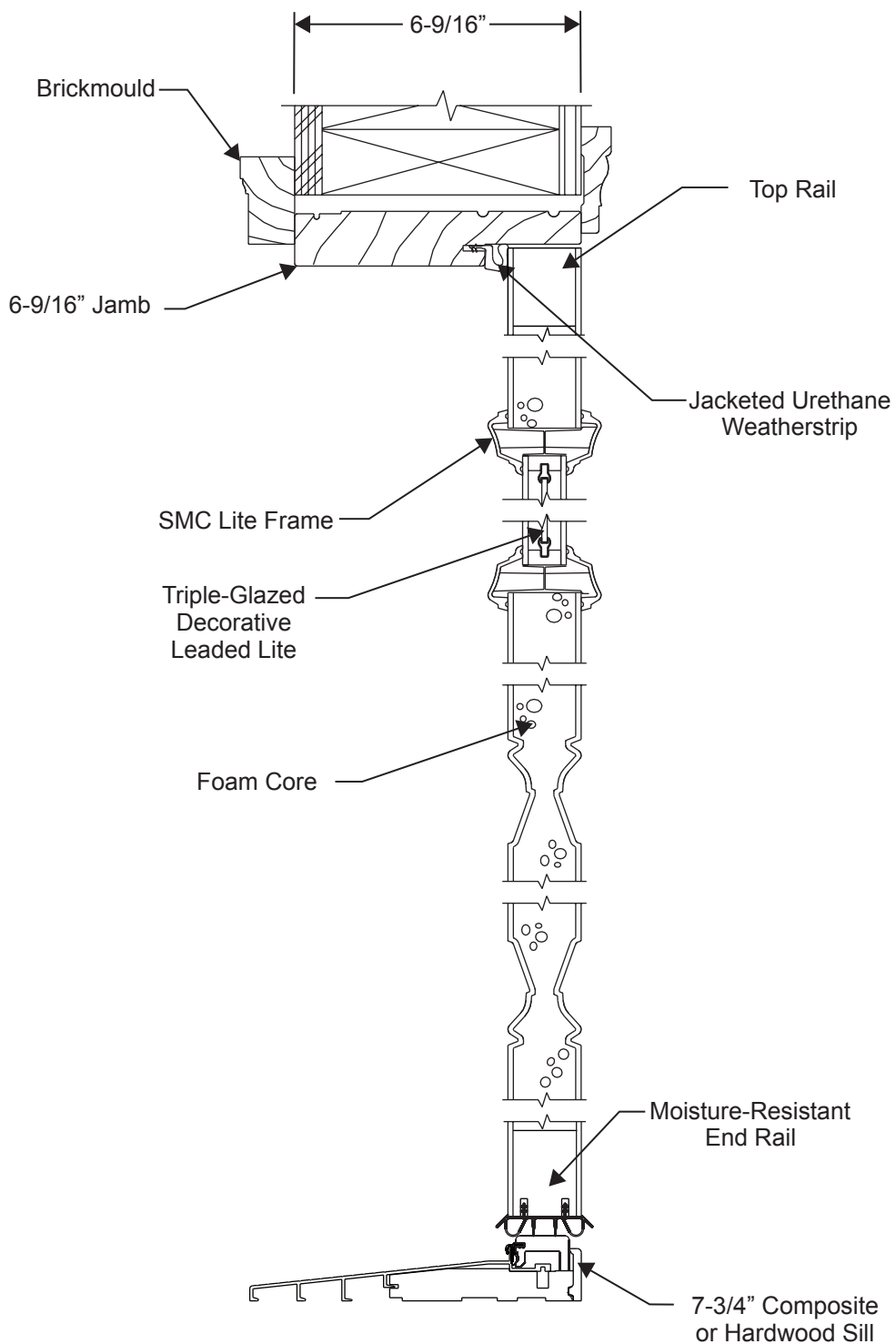


Classic-Craft Mahogany 8/0

Architectural
Details

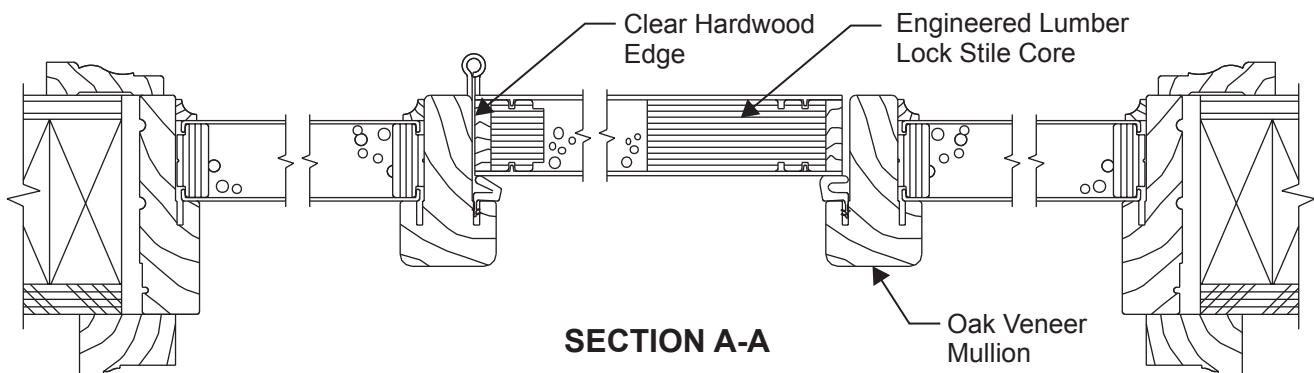
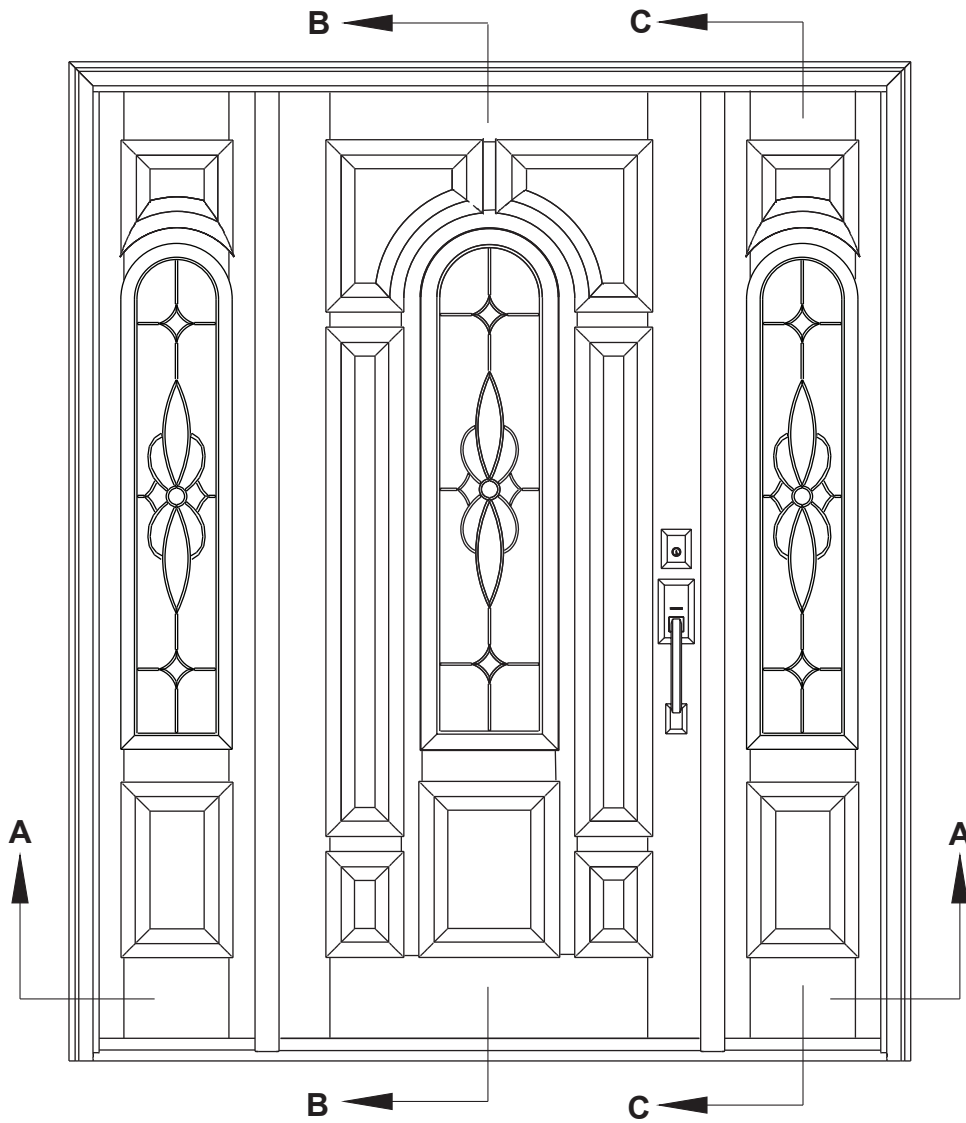
Single Door, Inswing

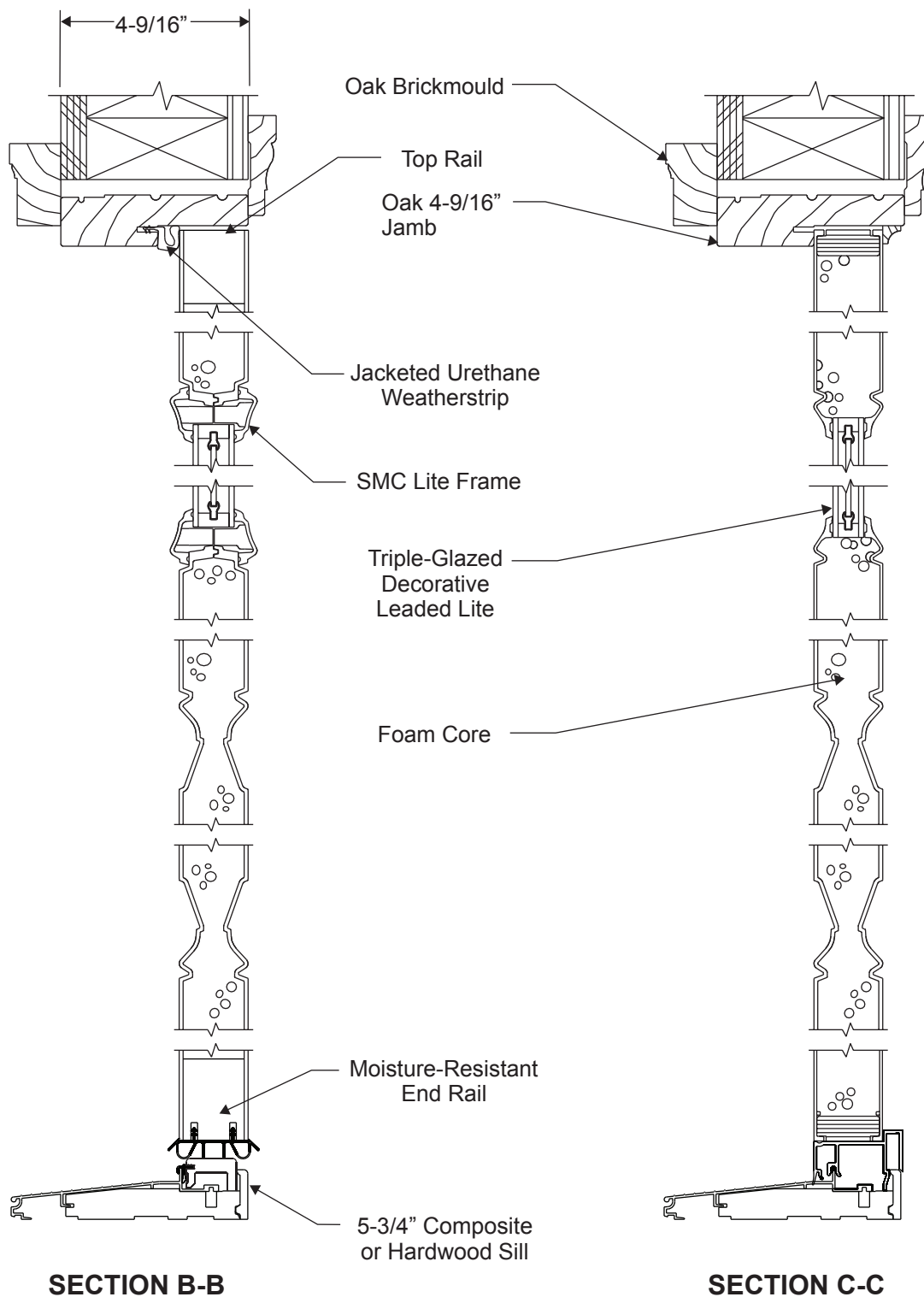




SECTION B-B

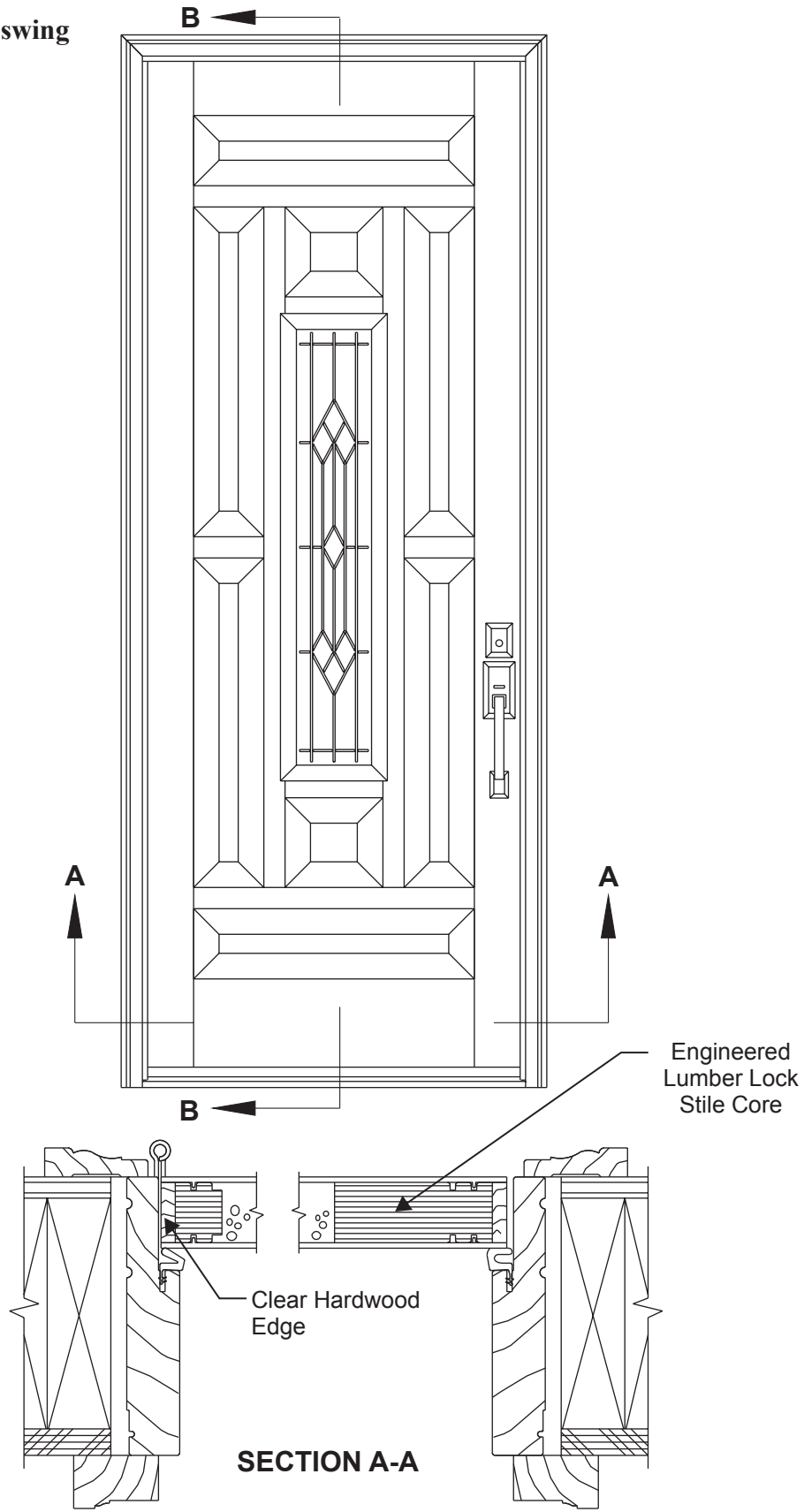
Door/Sidelites with Continuous Head/Sill Frame

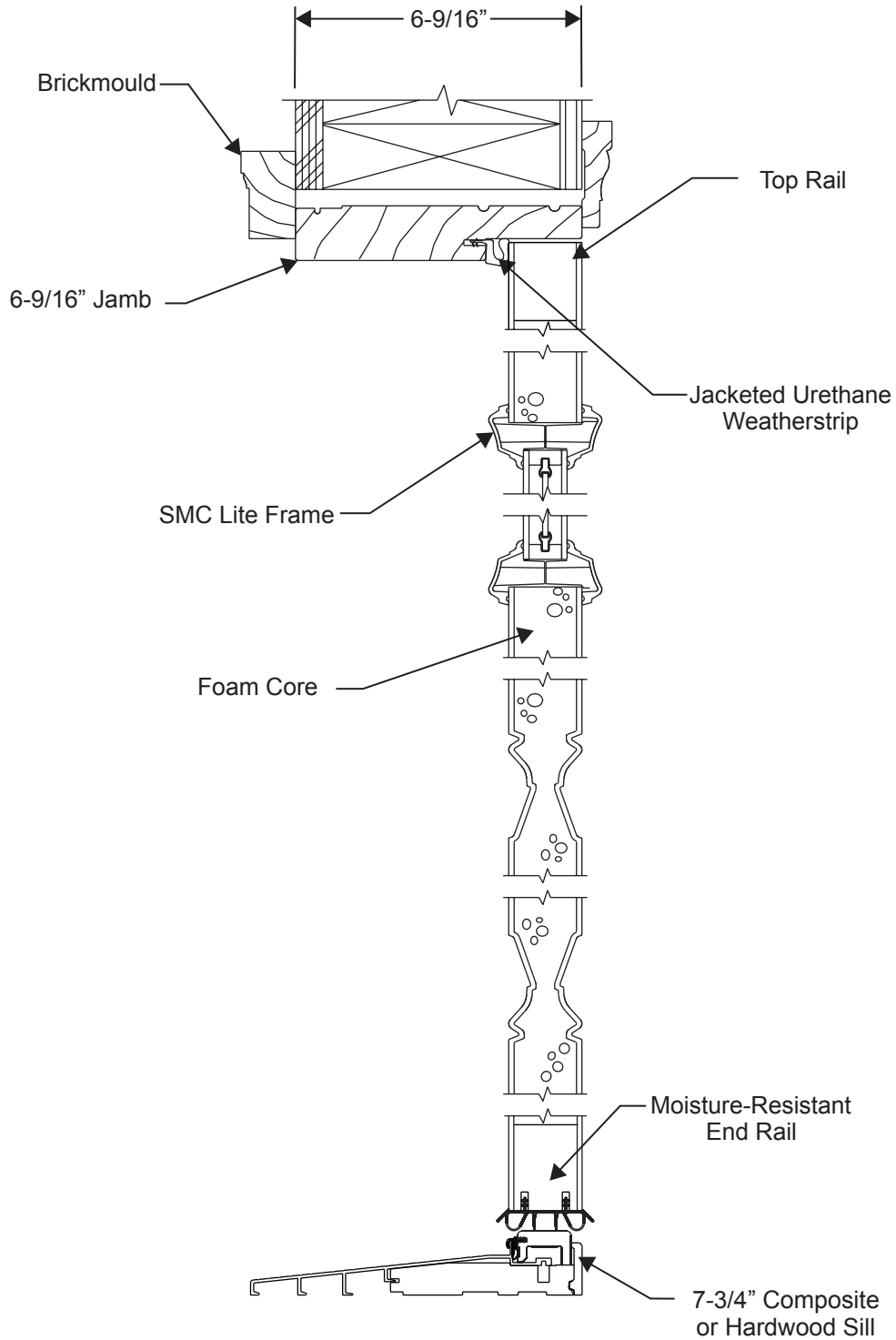




Architectural
Details

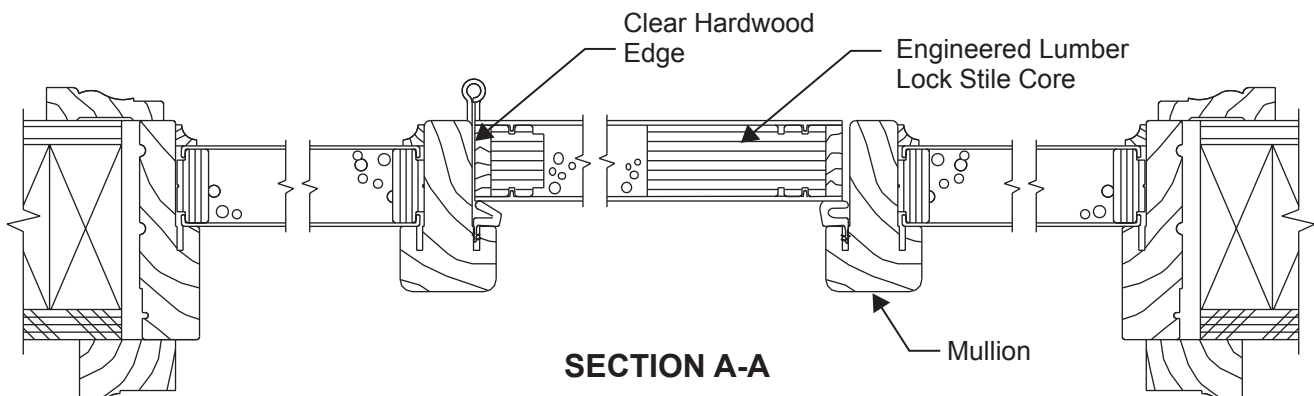
Single Door, Inswing

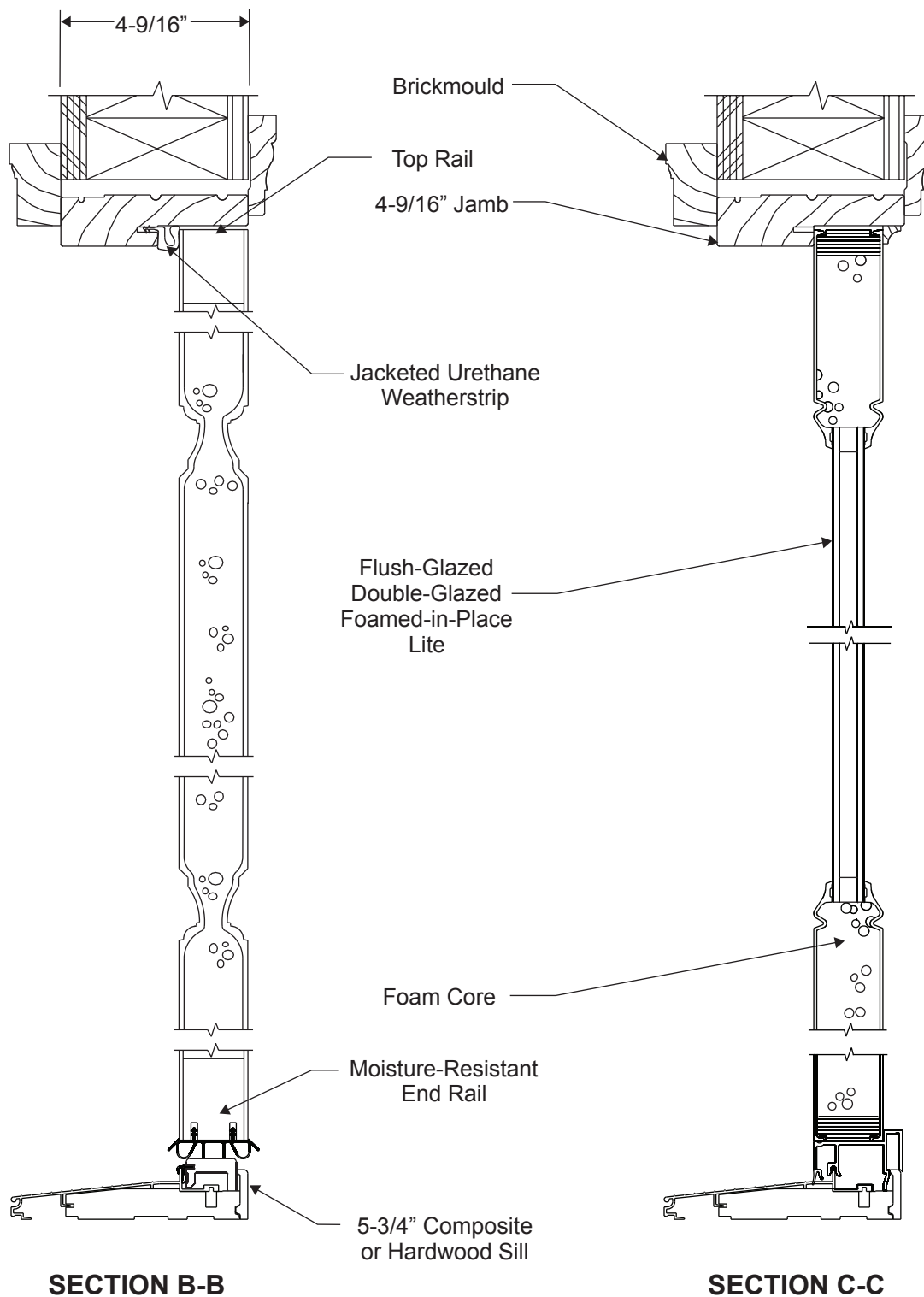




SECTION B-B

Door/Sidelites with Continuous Head/Sill Frame

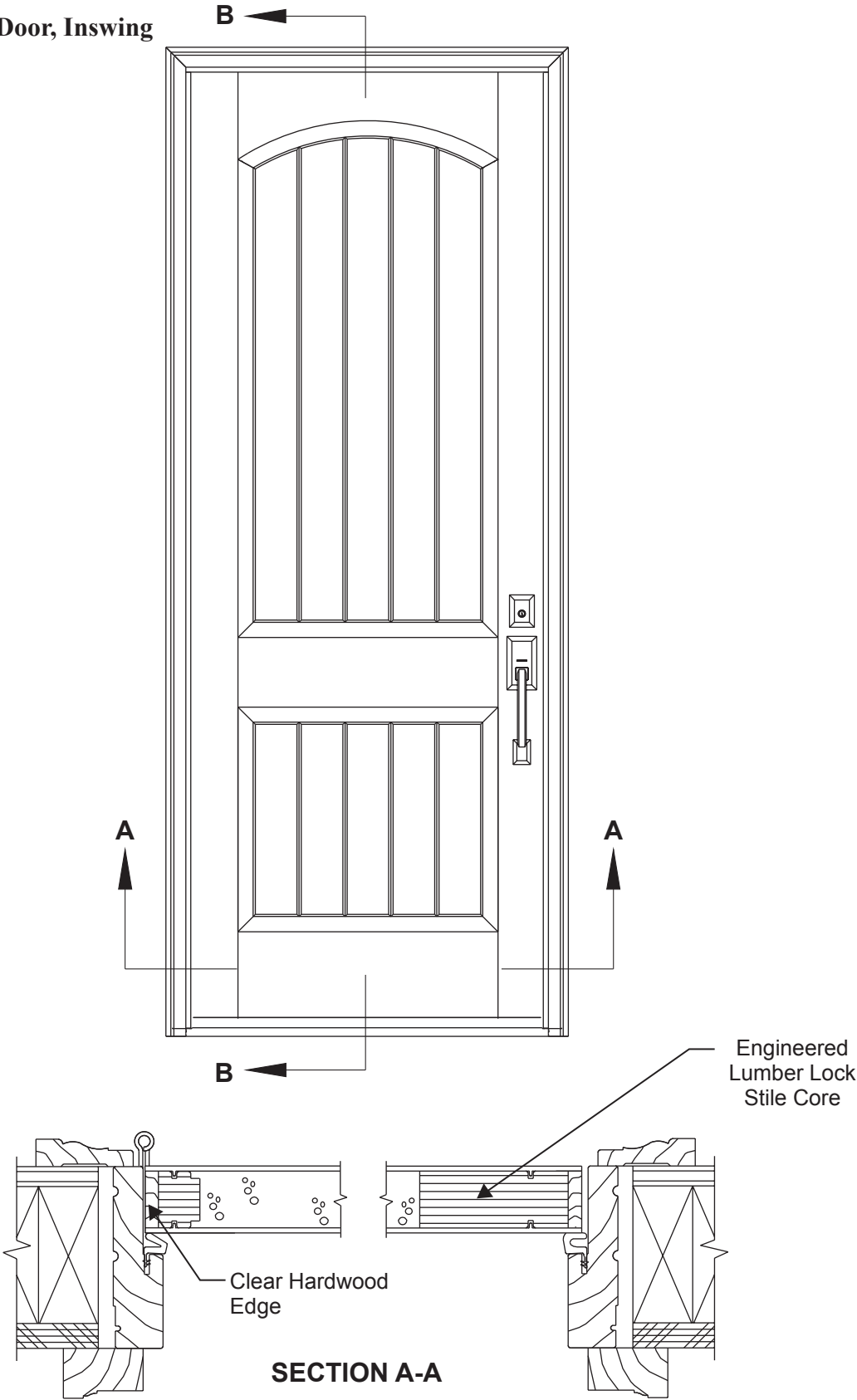


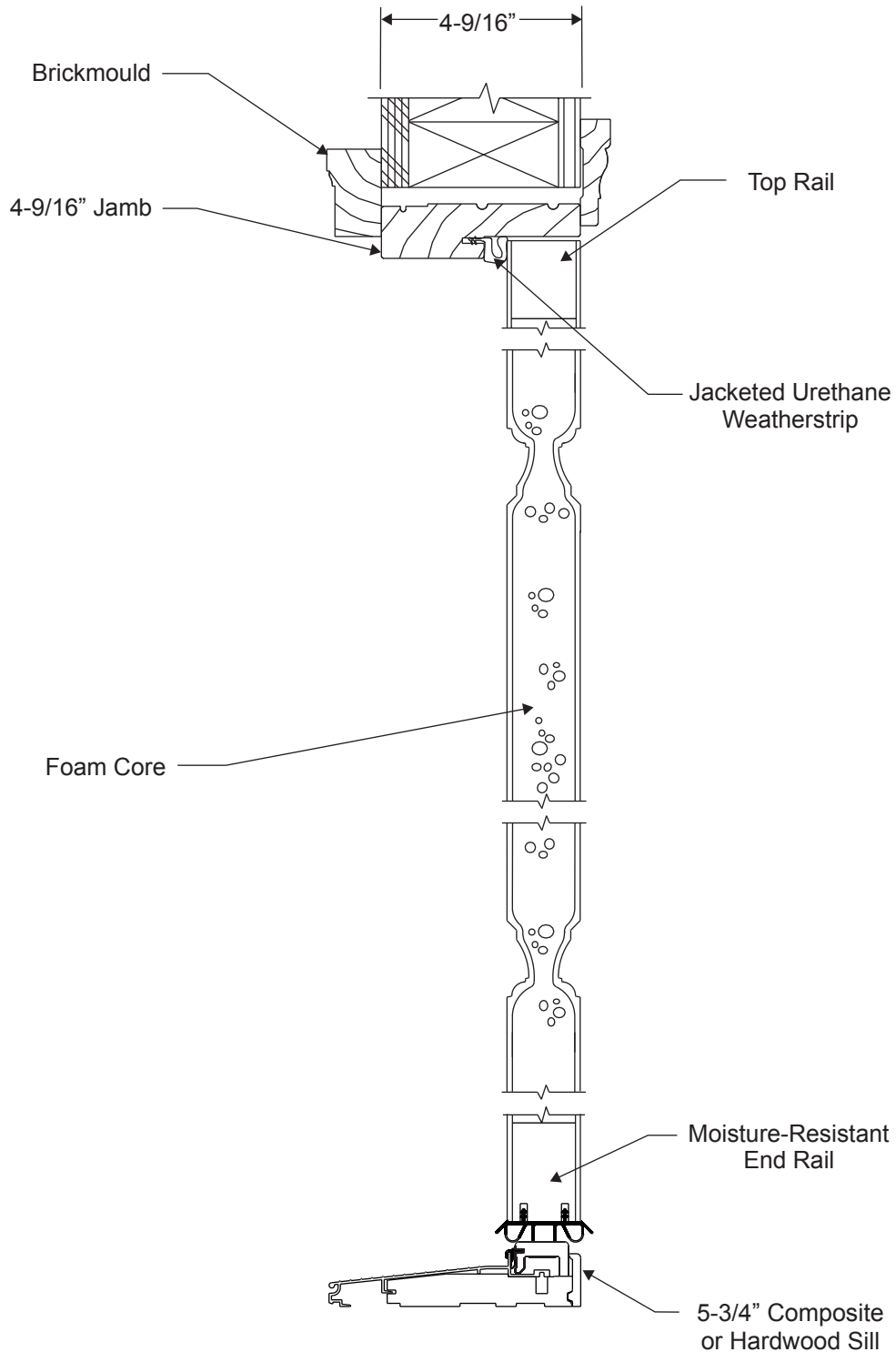


Classic-Craft Rustic 8/0

Architectural
Details

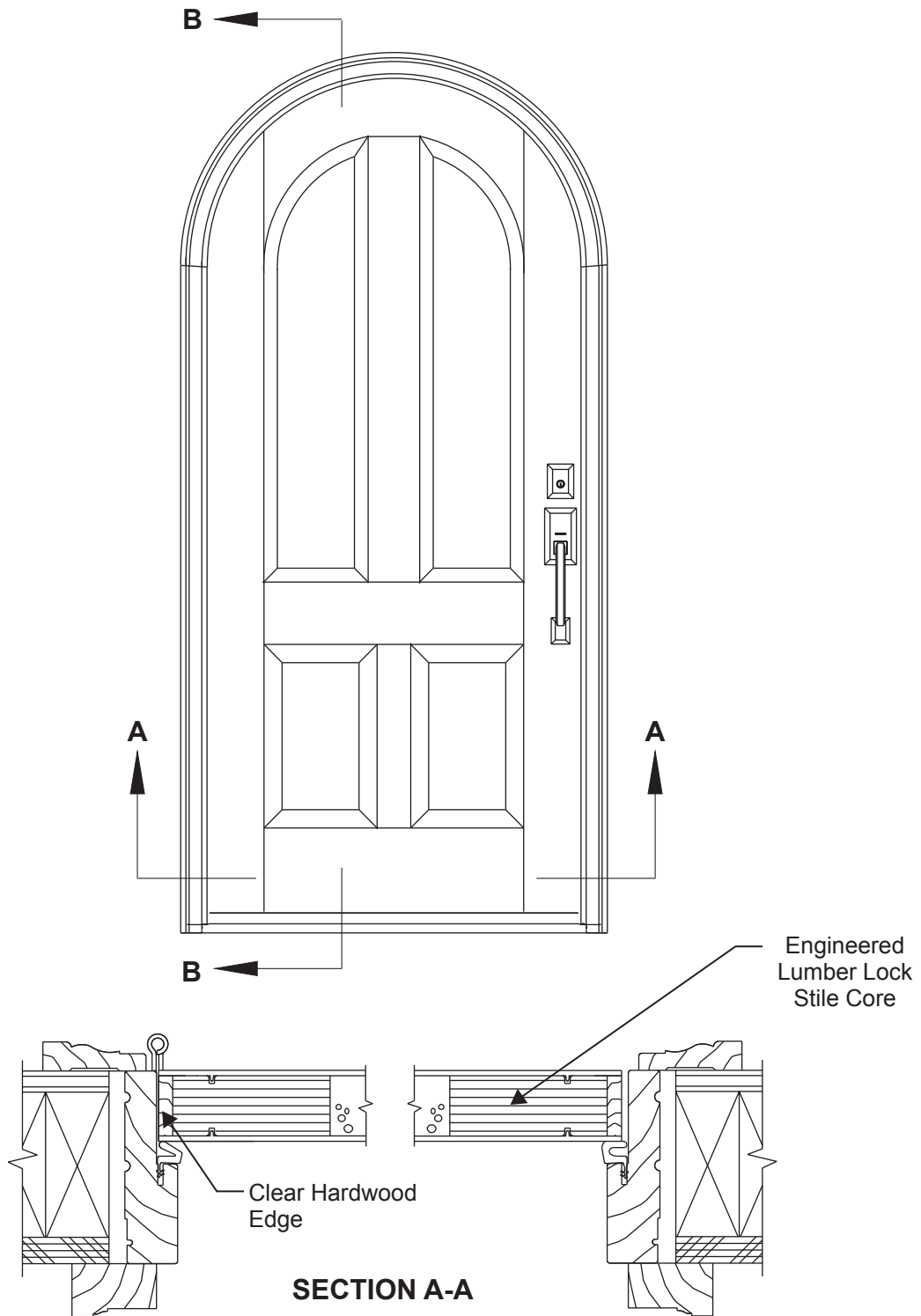
8/0 Single Door, Inswing

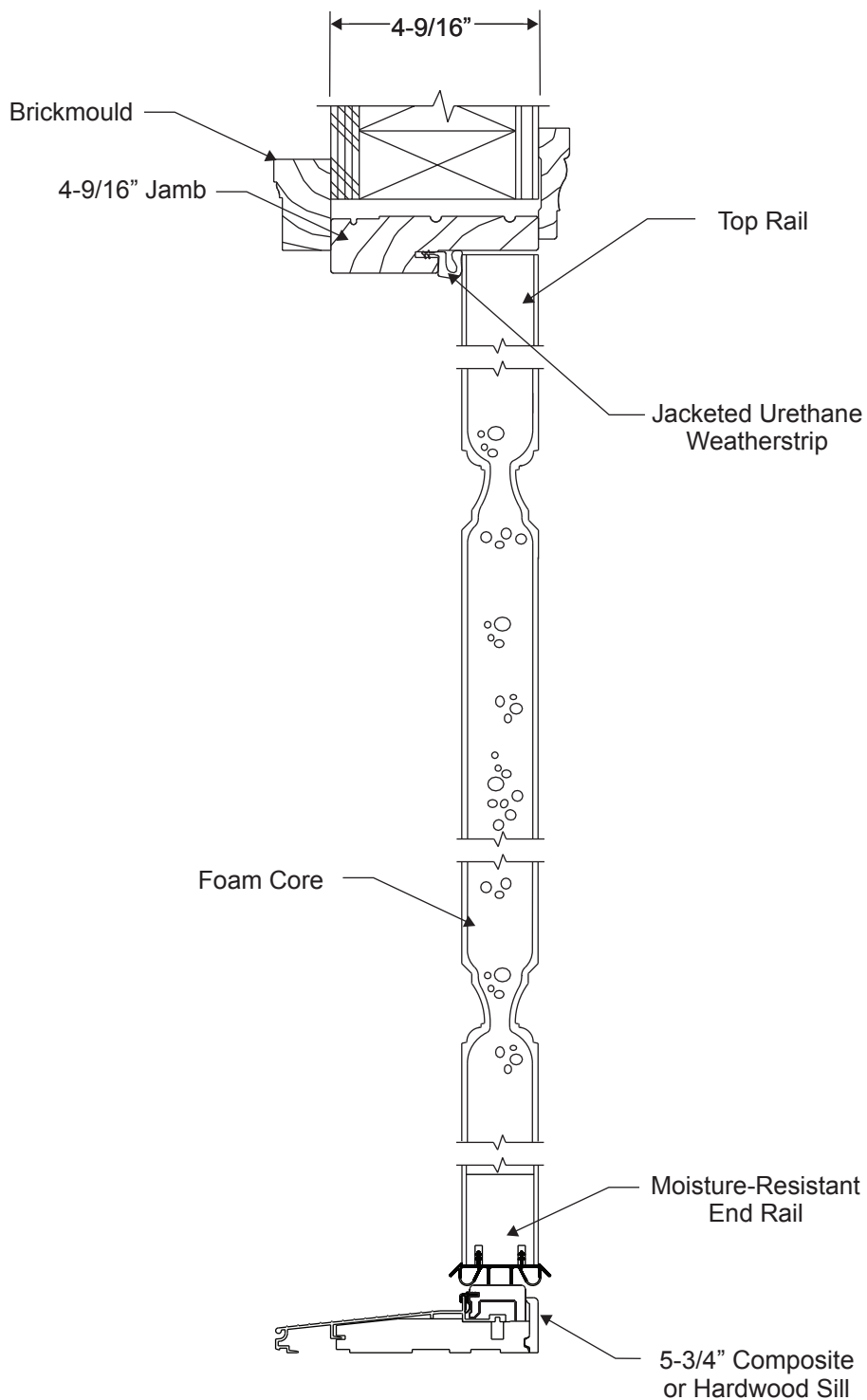




SECTION B-B

6/8 Single Radius Top Door, Inswing



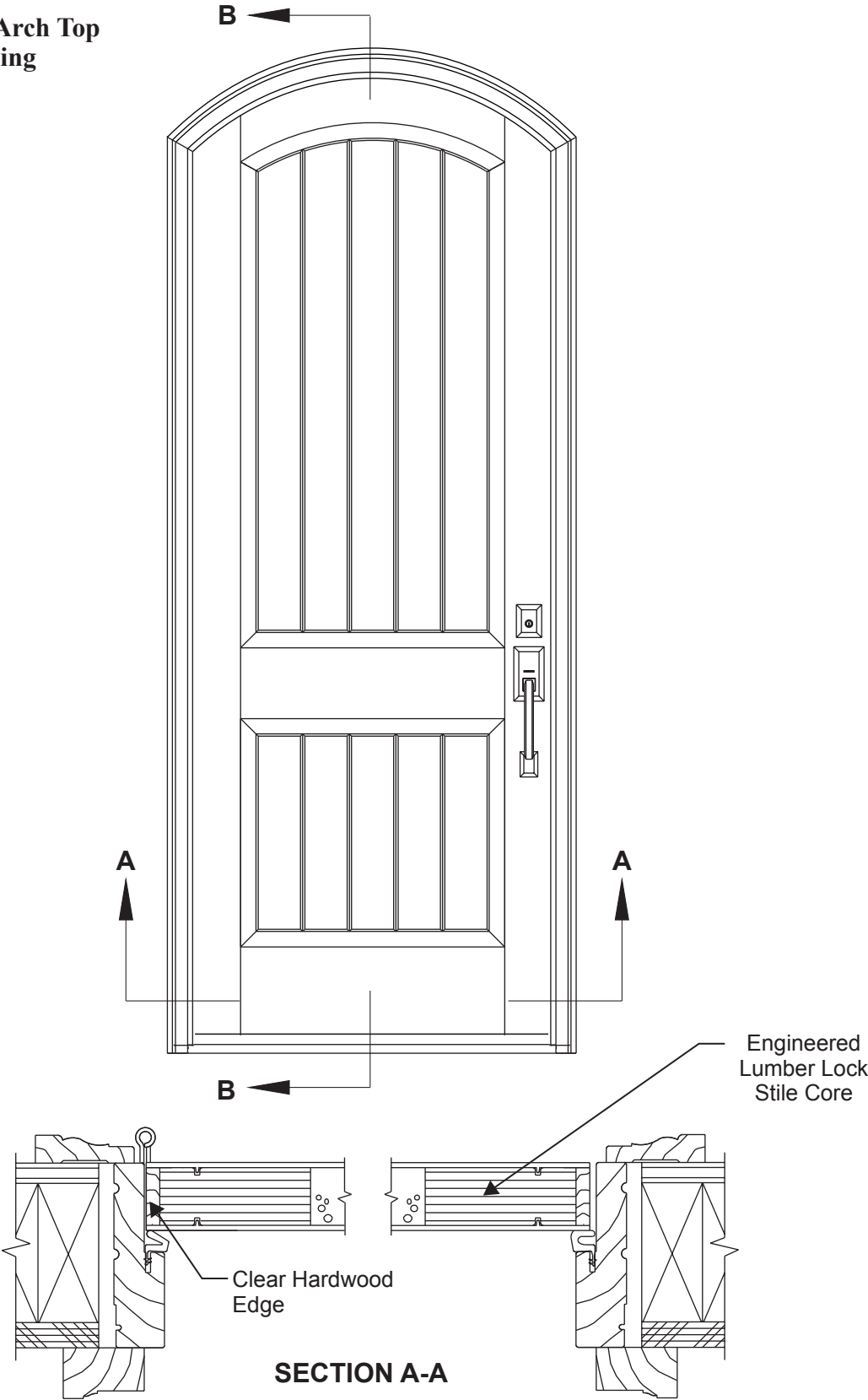


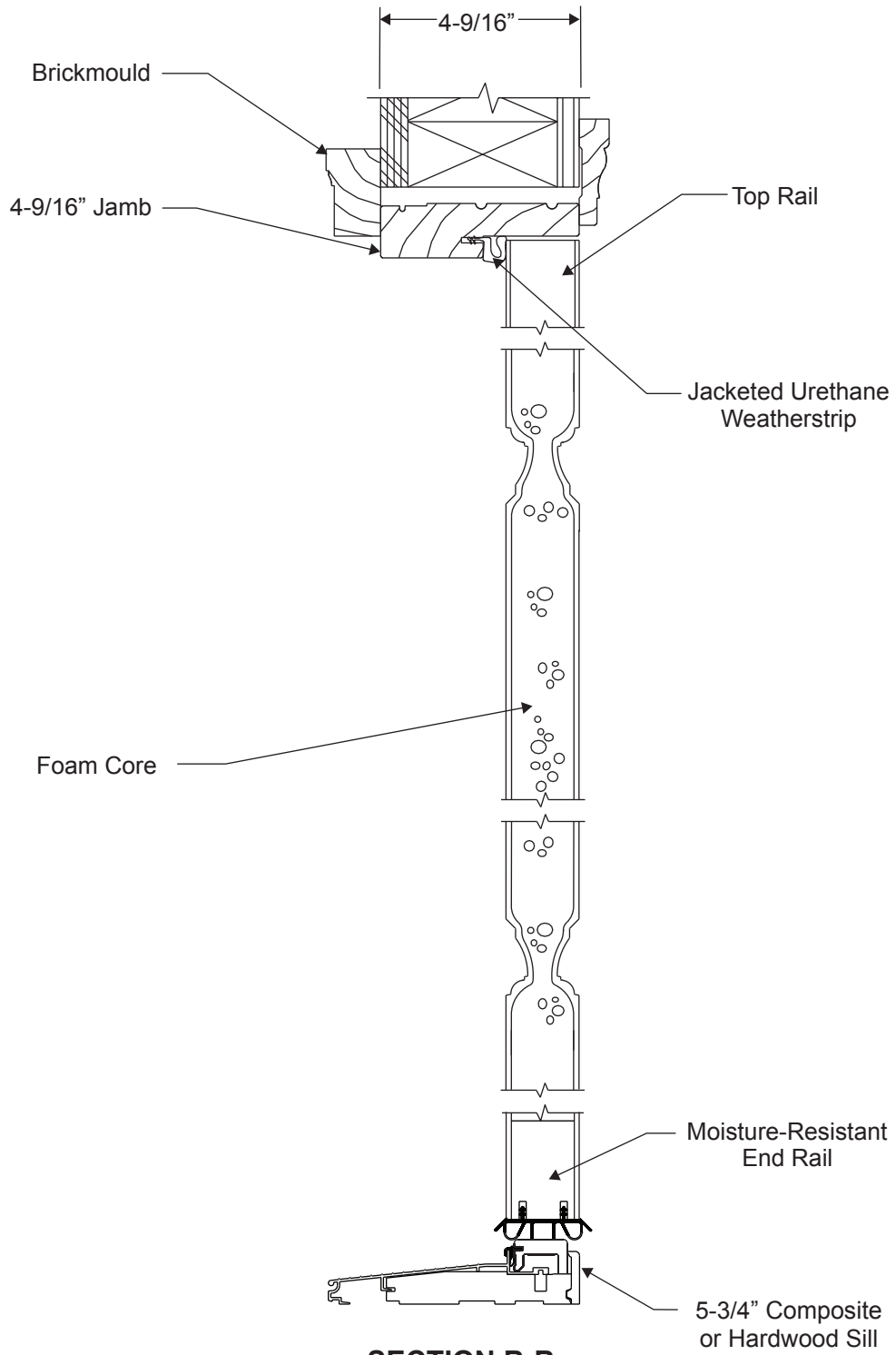
SECTION B-B

Classic-Craft Rustic Arch Top

Architectural
Details

**8/0 Single Arch Top
Door, Inswing**

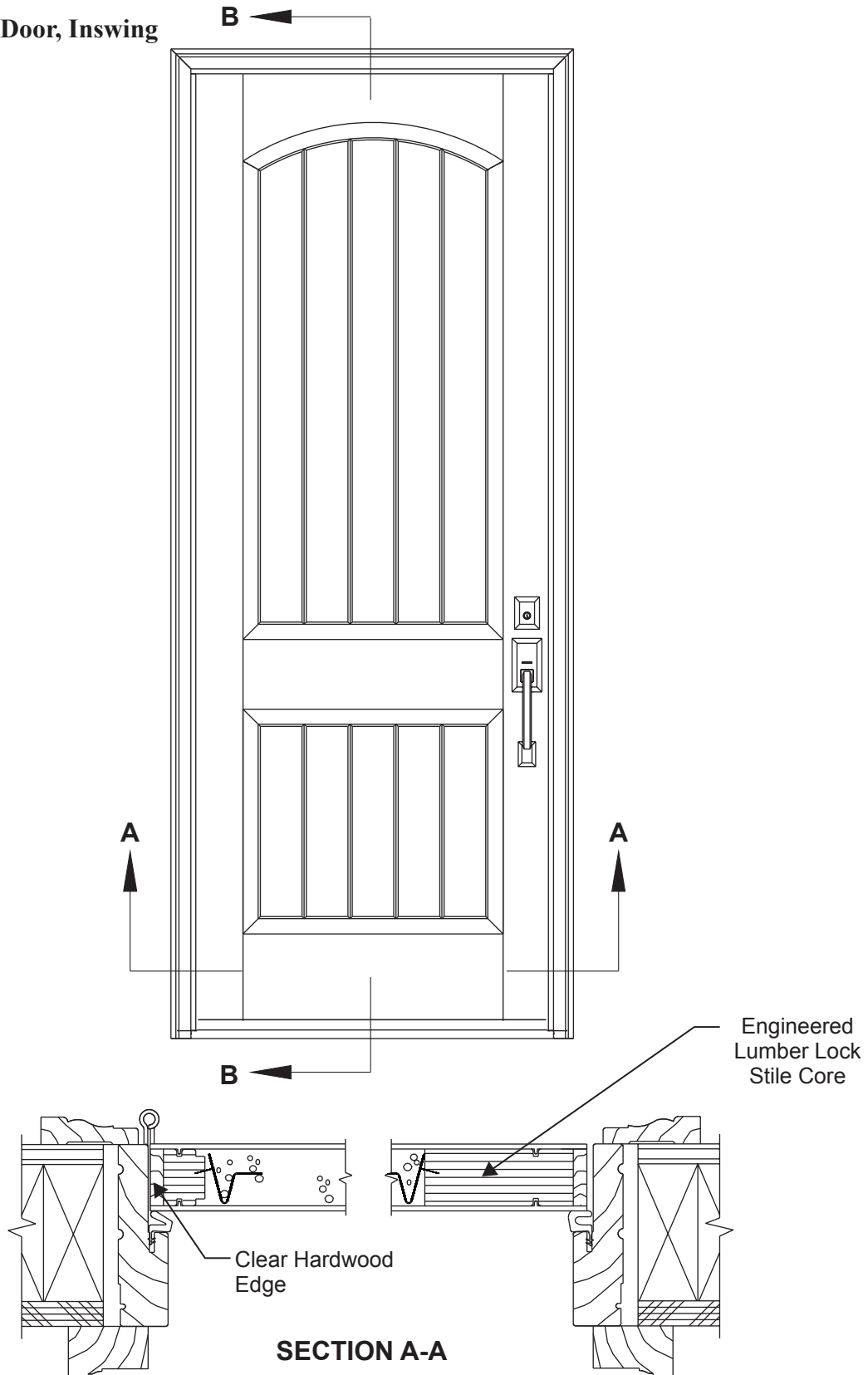


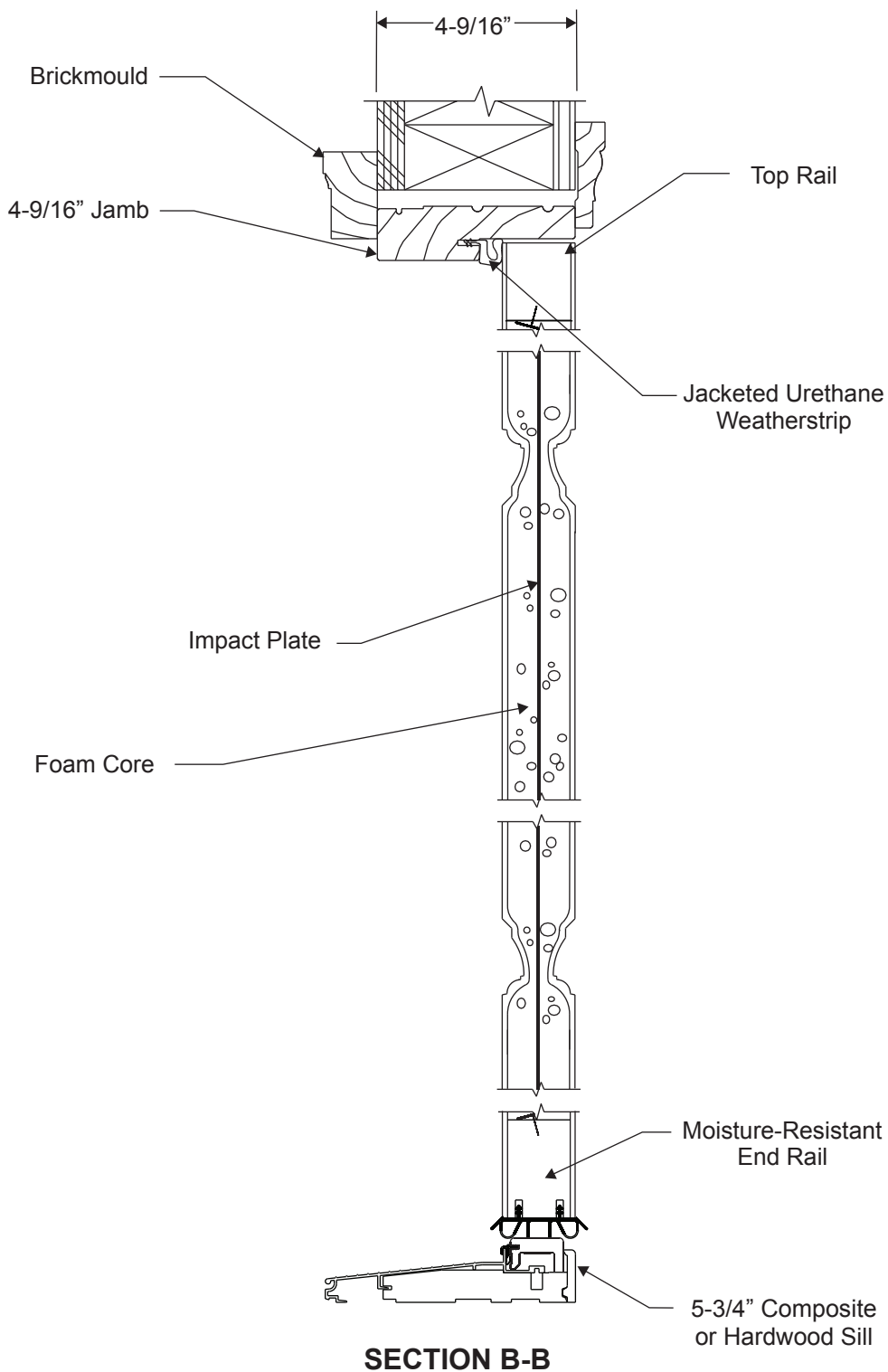


Classic-Craft Rustic Square Top Impact

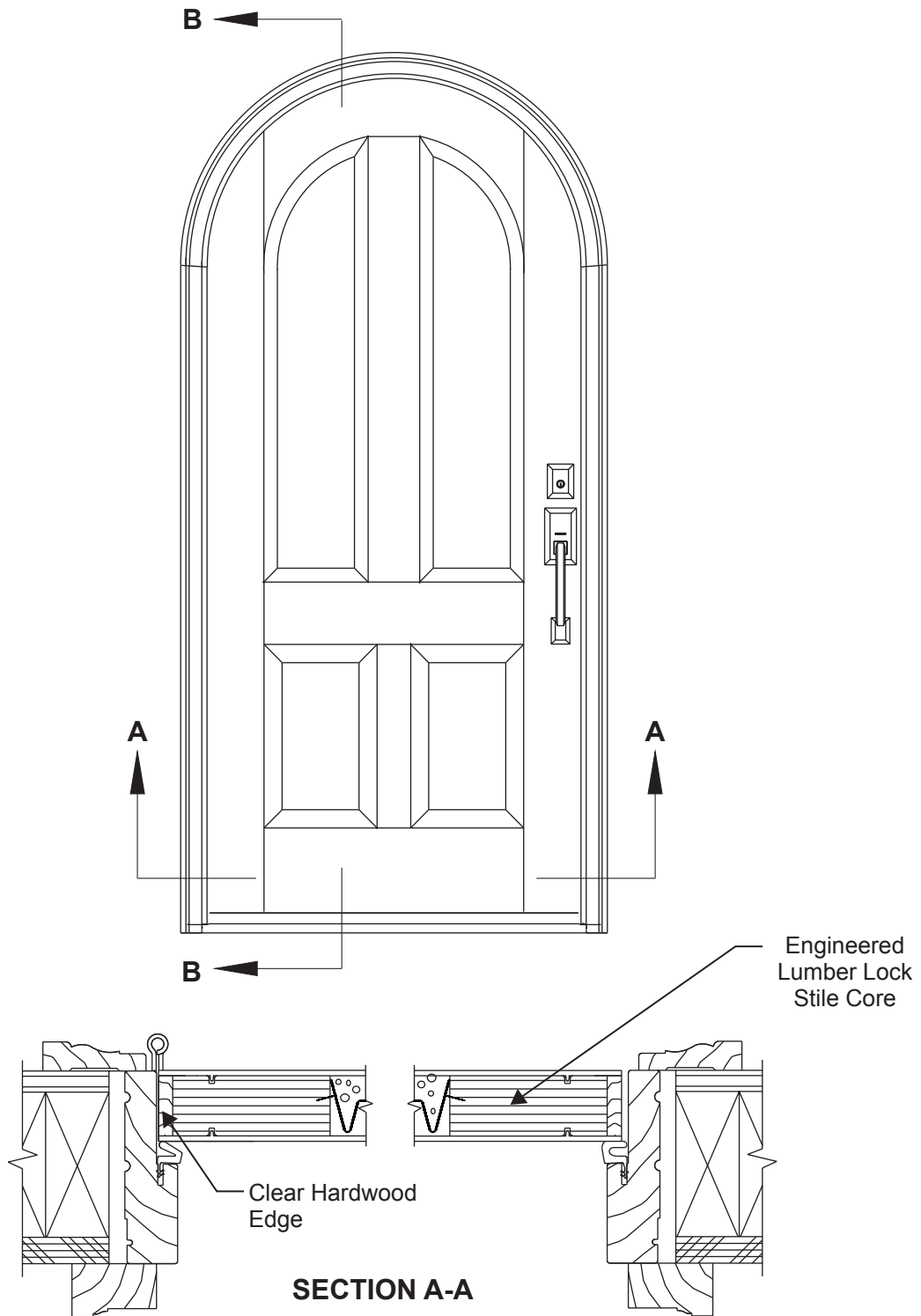
Architectural
Details

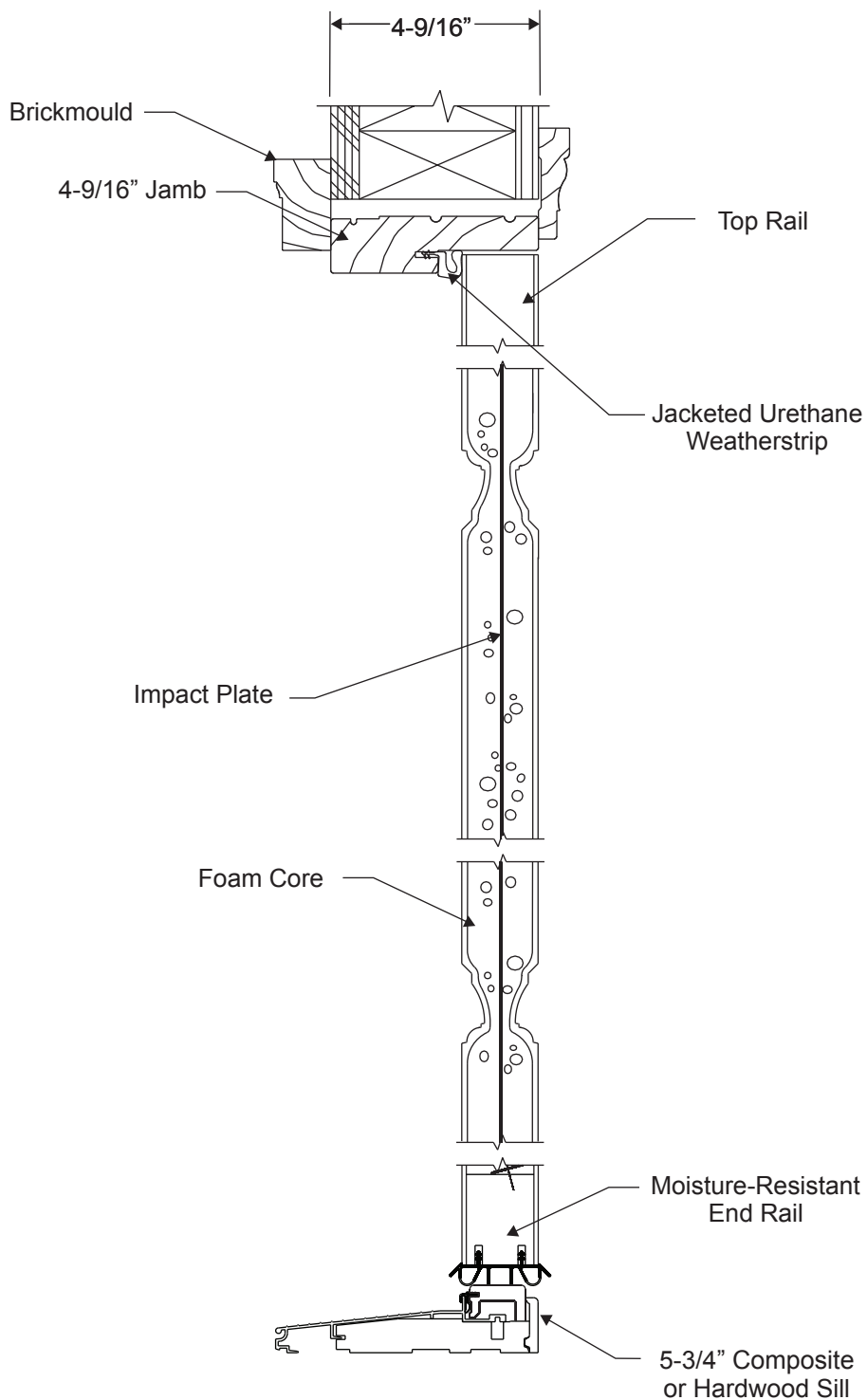
8/0 Single Door, Inswing
(Shown)





6/8 Single Radius Top Door, Inswing



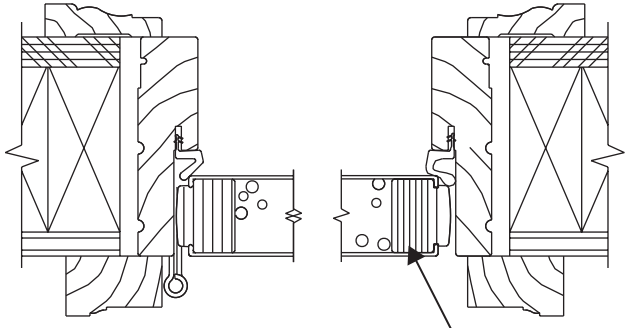
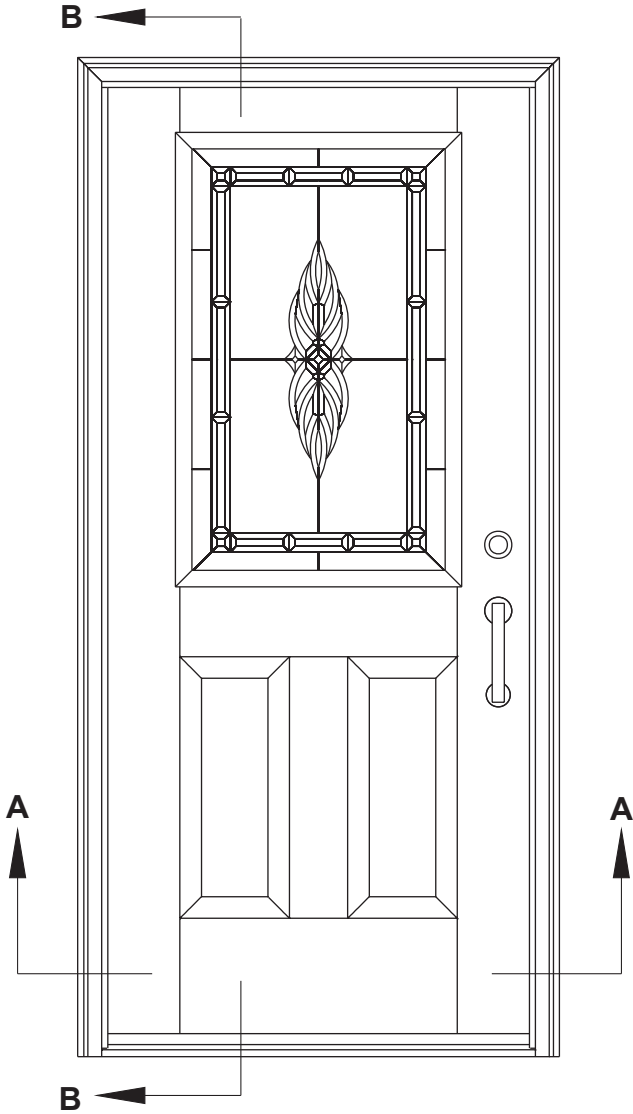


SECTION B-B

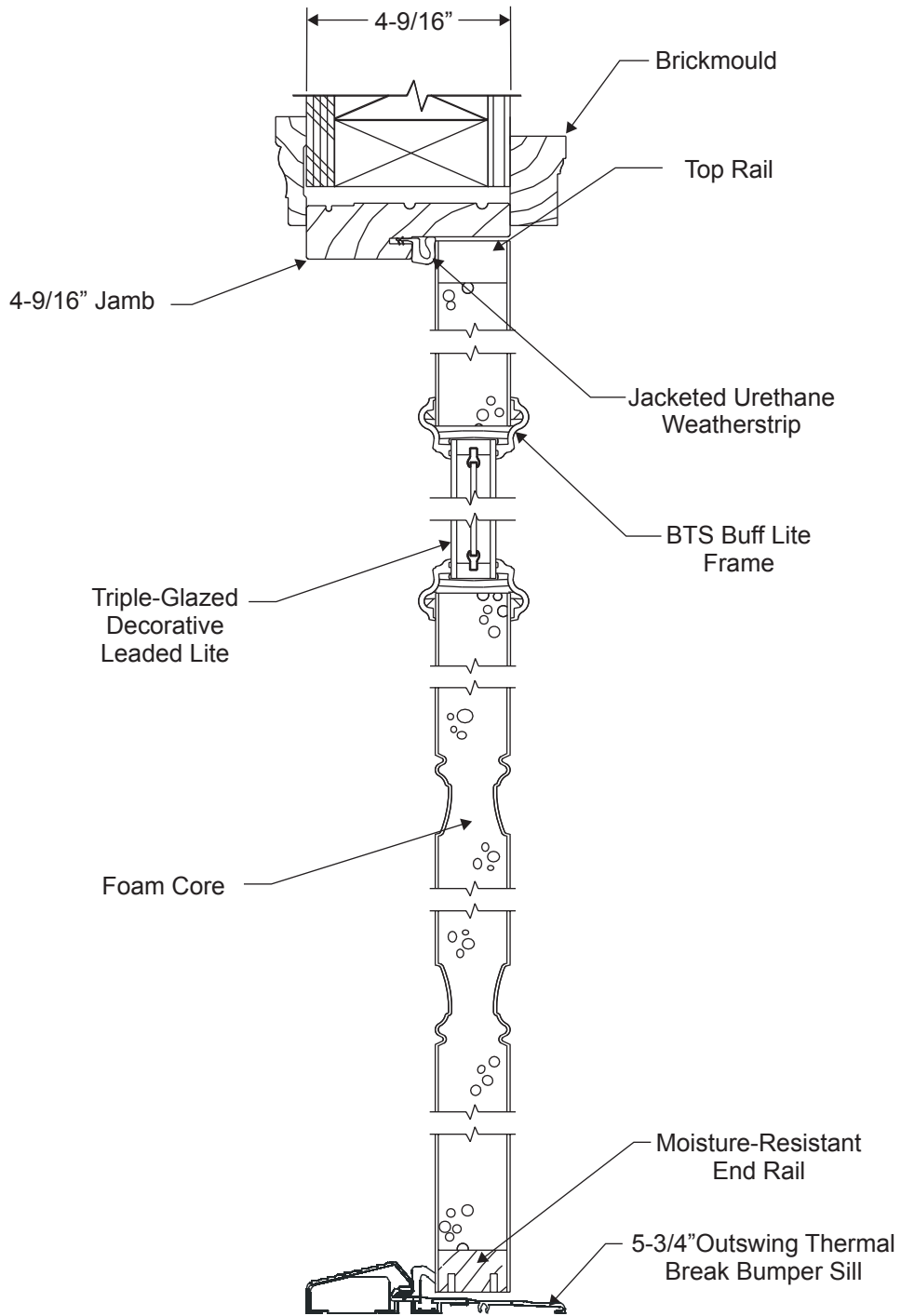
Fiber-Classic Mahogany

Architectural
Details

Single Door, Outswing

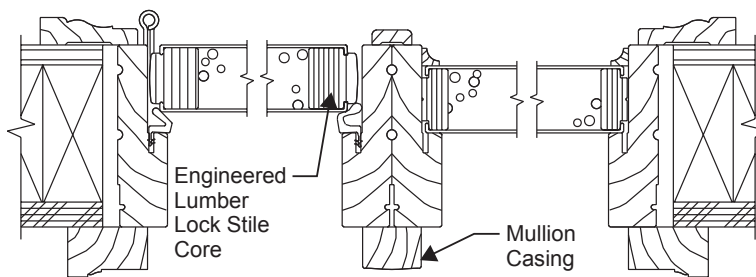
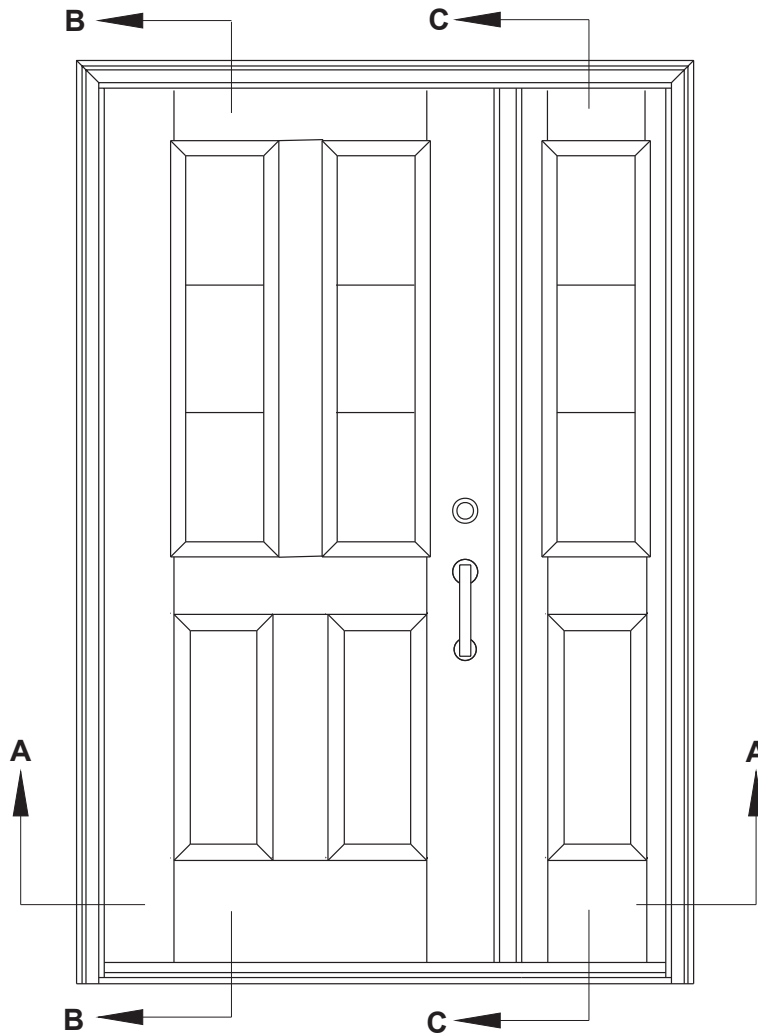


SECTION A-A — Engineered Lumber Lock Stile Core

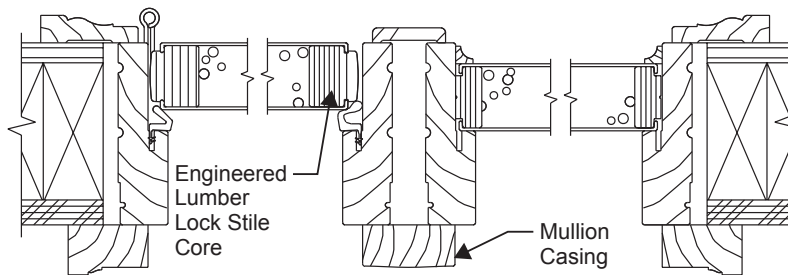


SECTION B-B

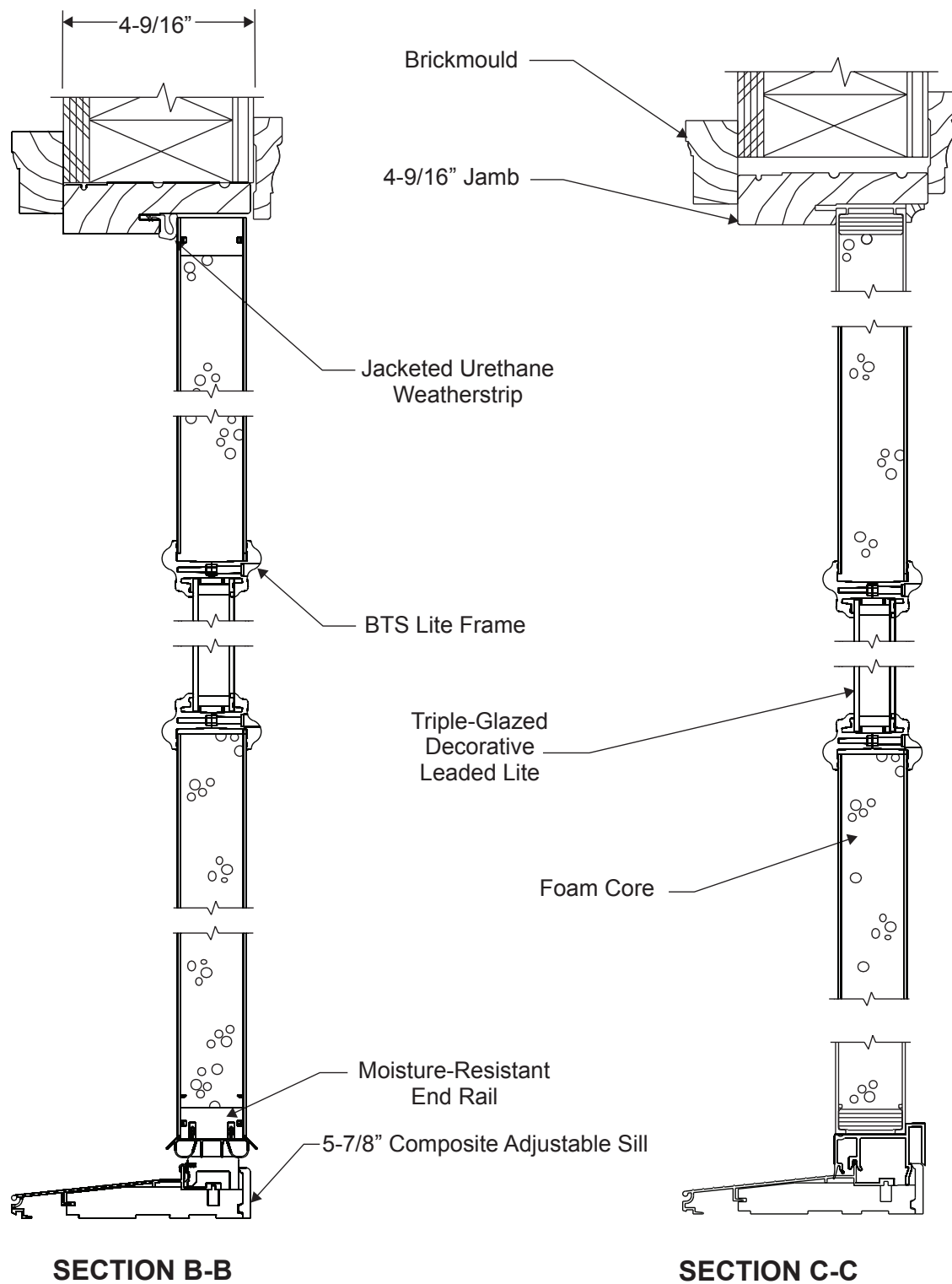
Door/Sidelite with Spread Mullion



SECTION A-A
Spread 0"

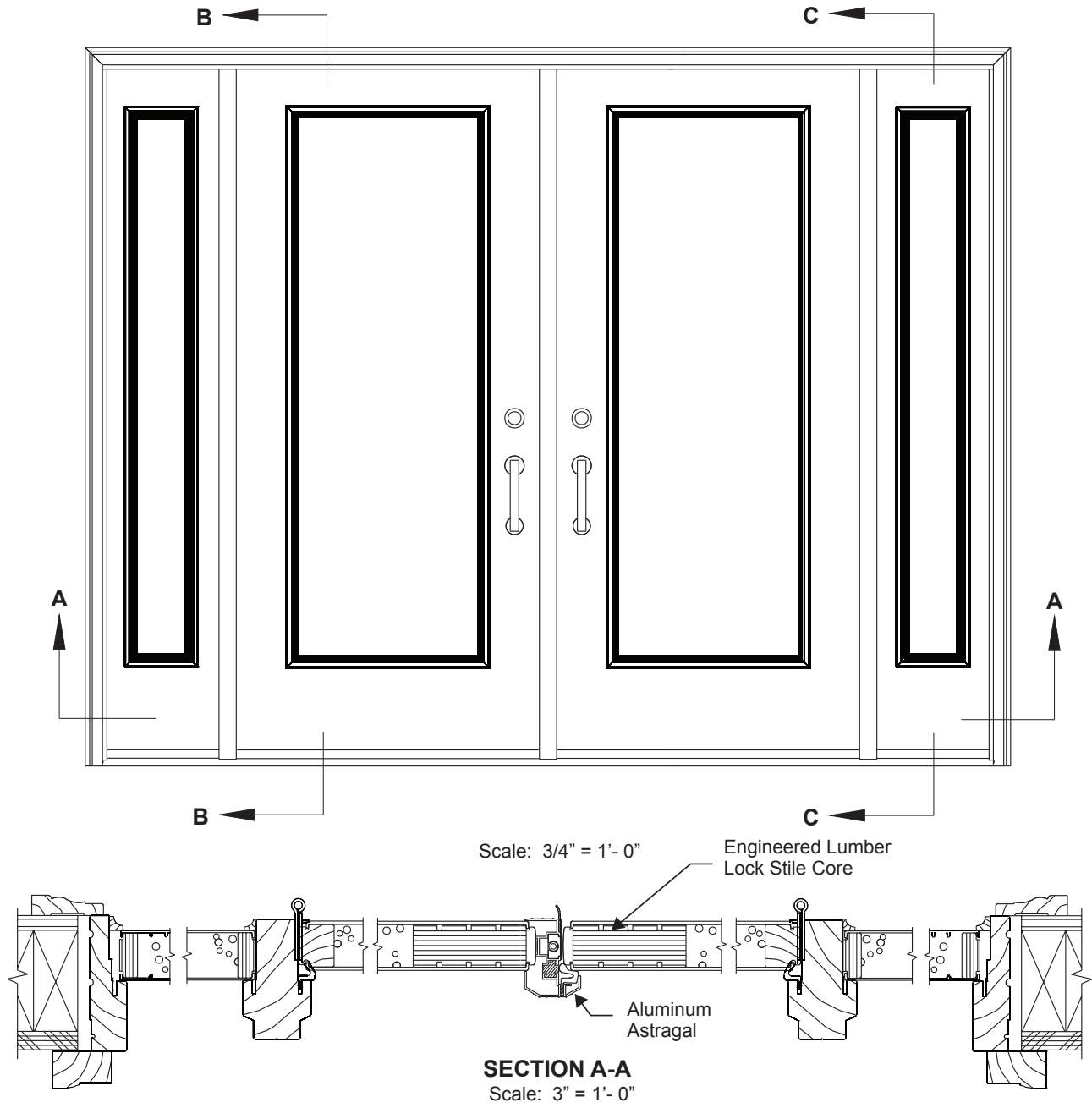


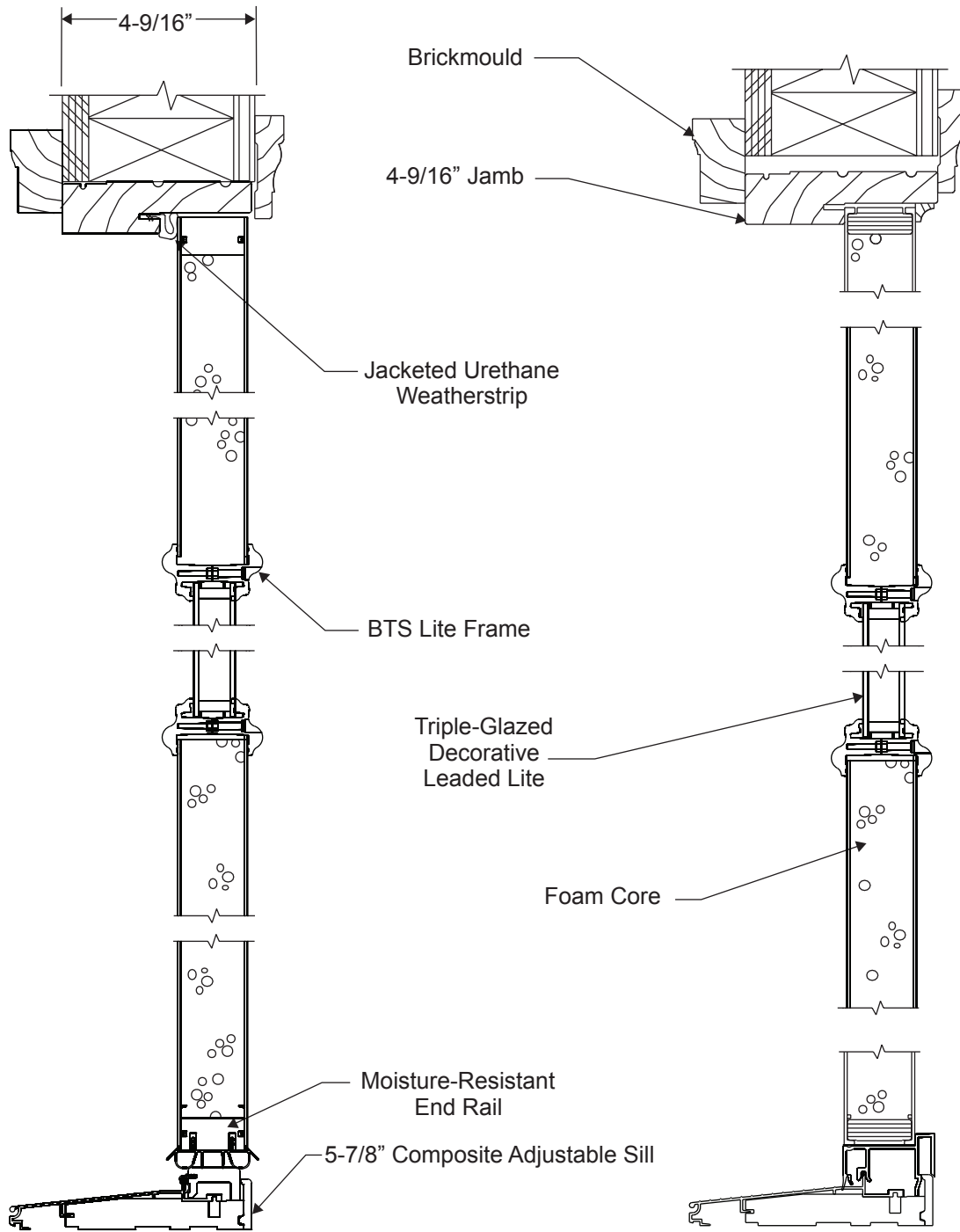
SECTION A-A
Spread 3/4"



Architectural
Details

French Continuous, Inswing



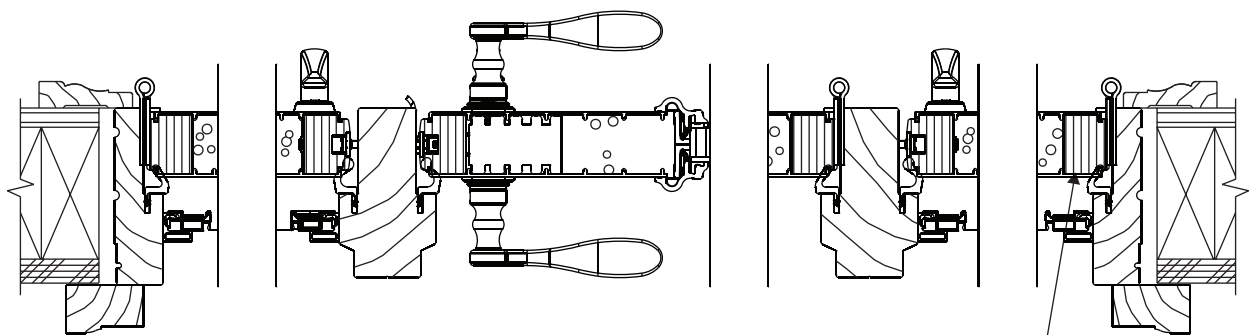
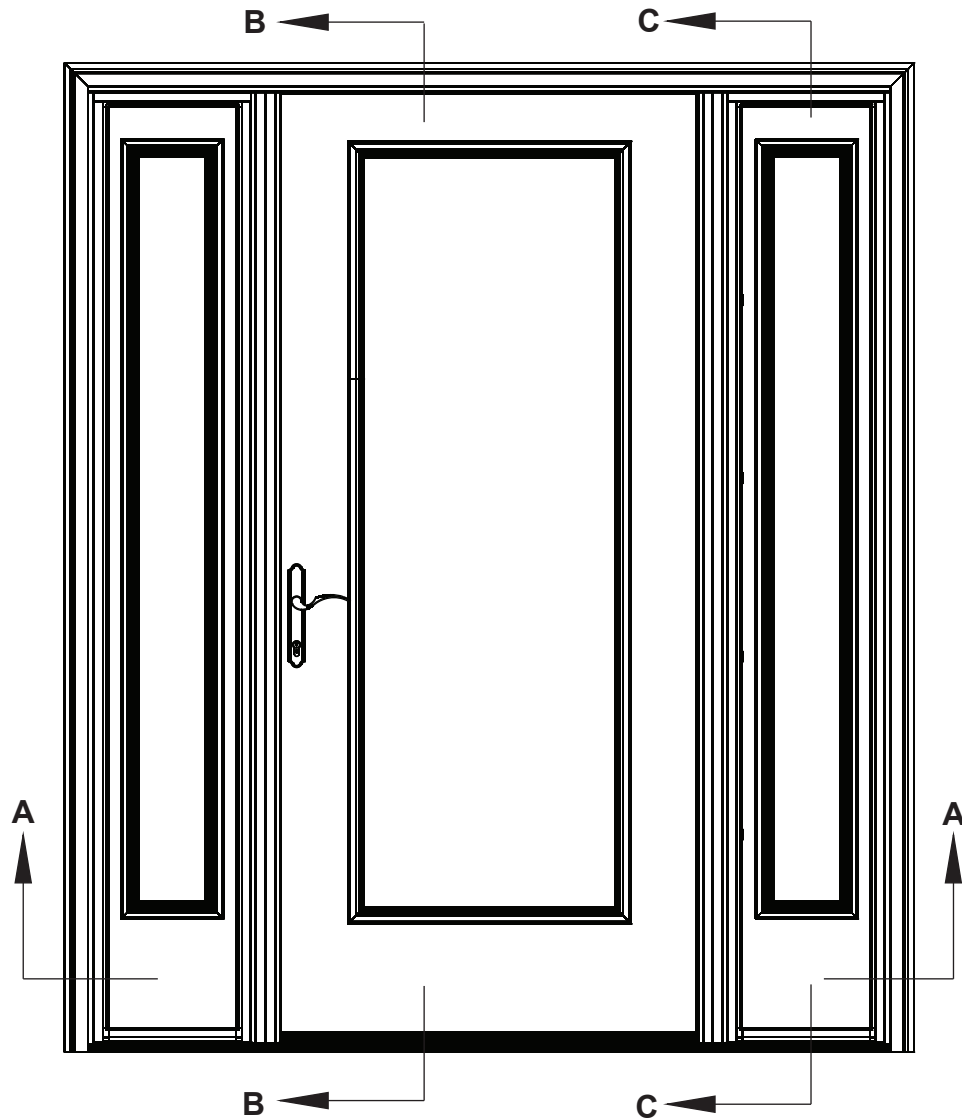


SECTION B-B
Scale: 3" = 1'-0"

SECTION C-C
Scale: 3" = 1'-0"

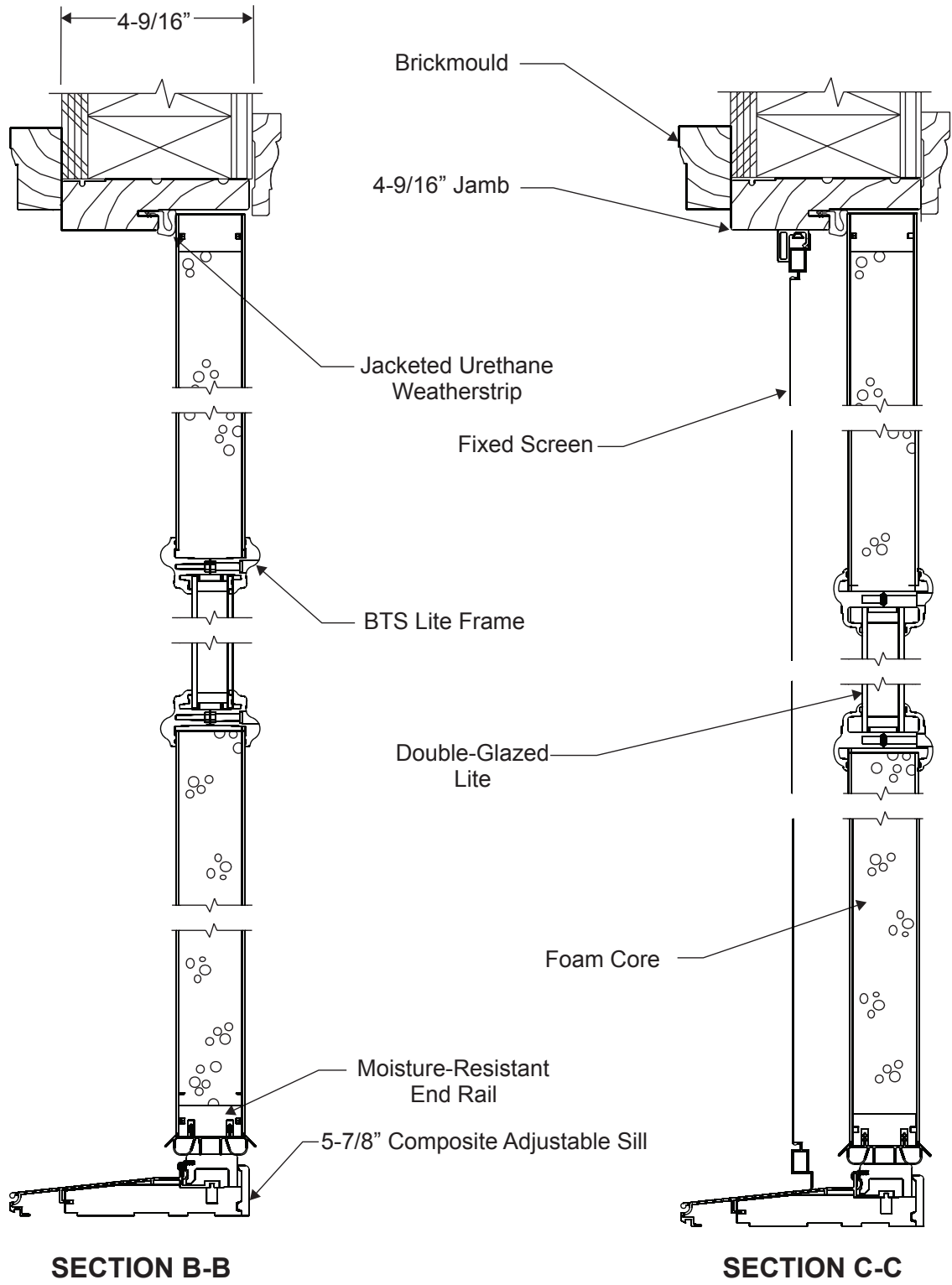
Architectural
Details

Door with Vented Sidelites, Continuous Frame, with Casing

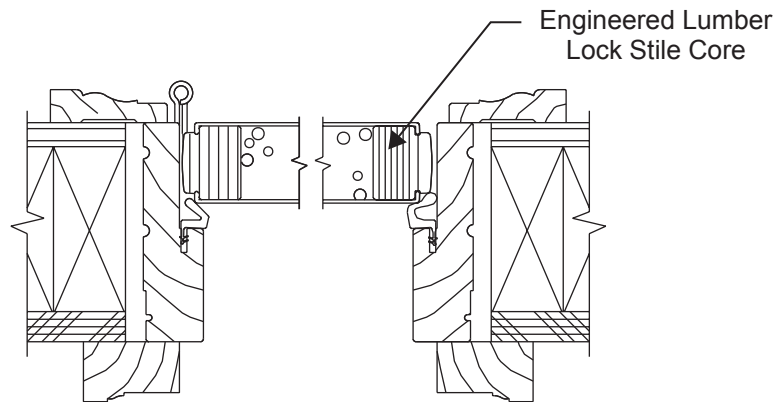
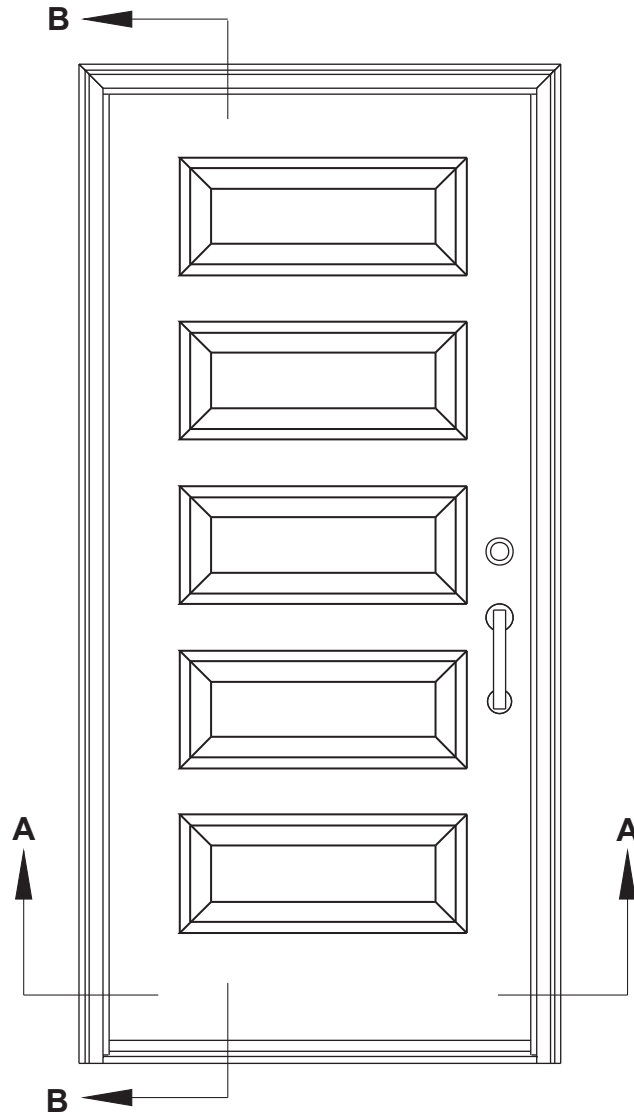


SECTION A-A

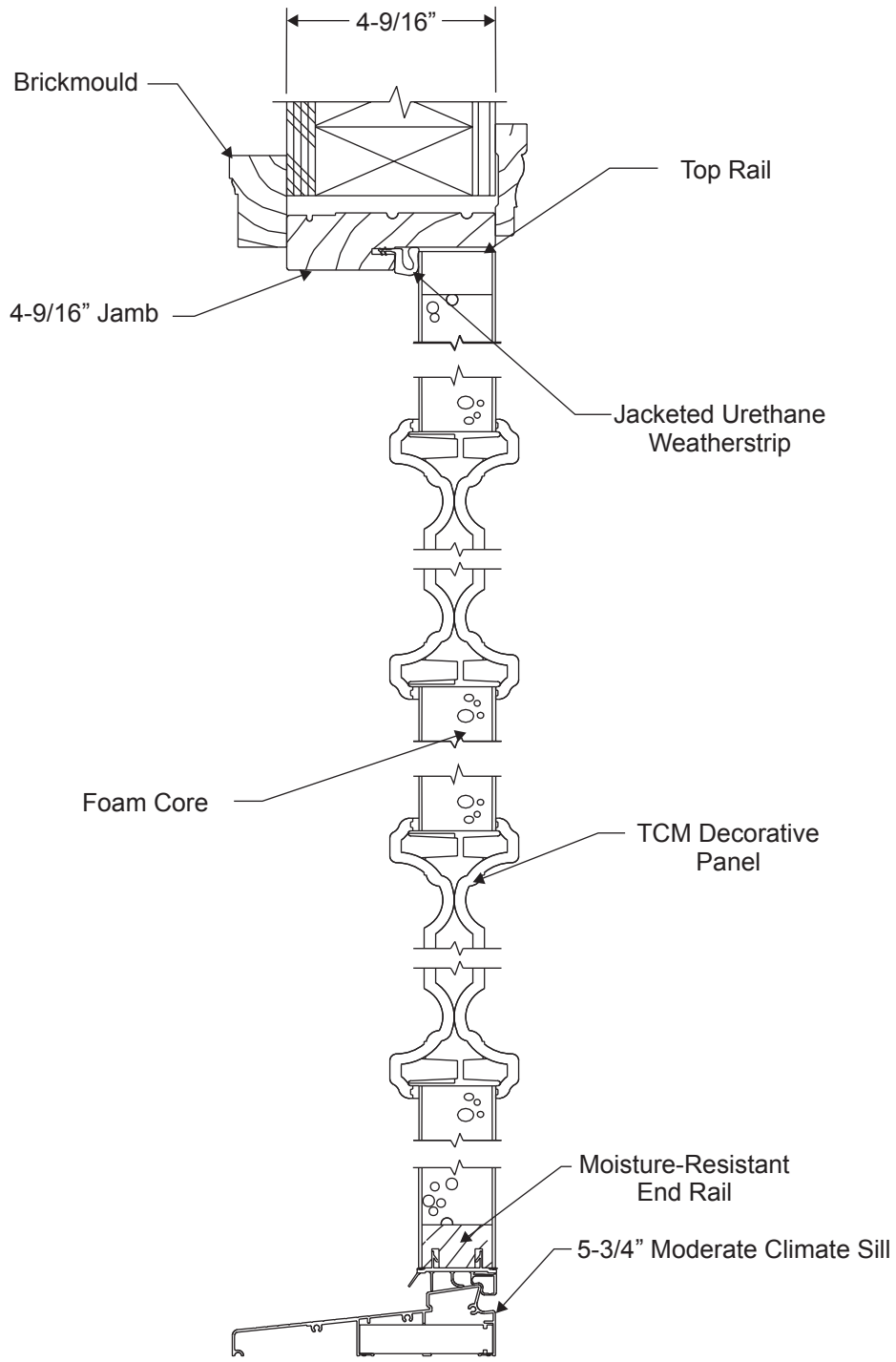
Engineered
Lumber
Lock Stile
Core



Single Door, Inswing

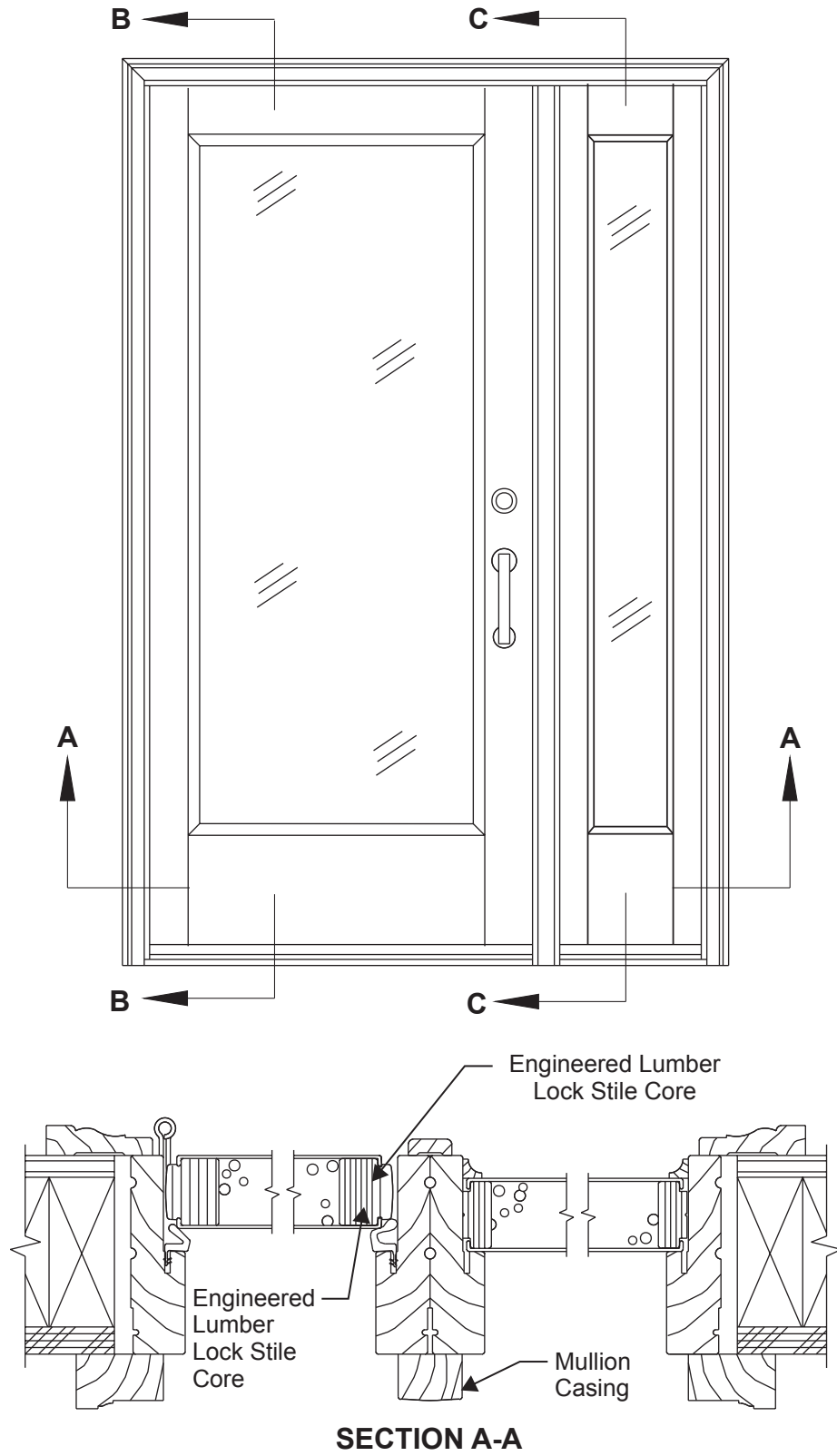


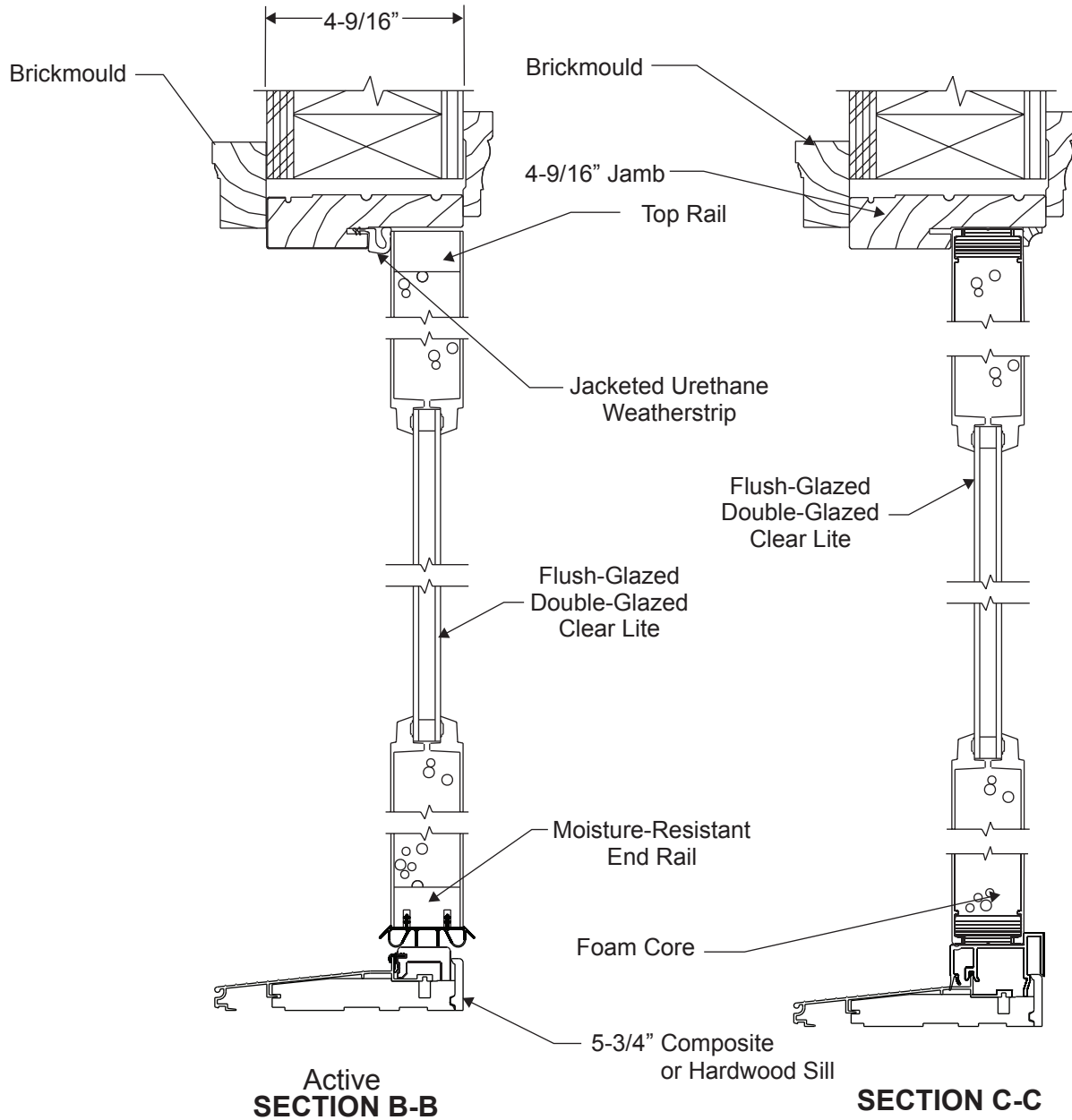
SECTION A-A



SECTION B-B

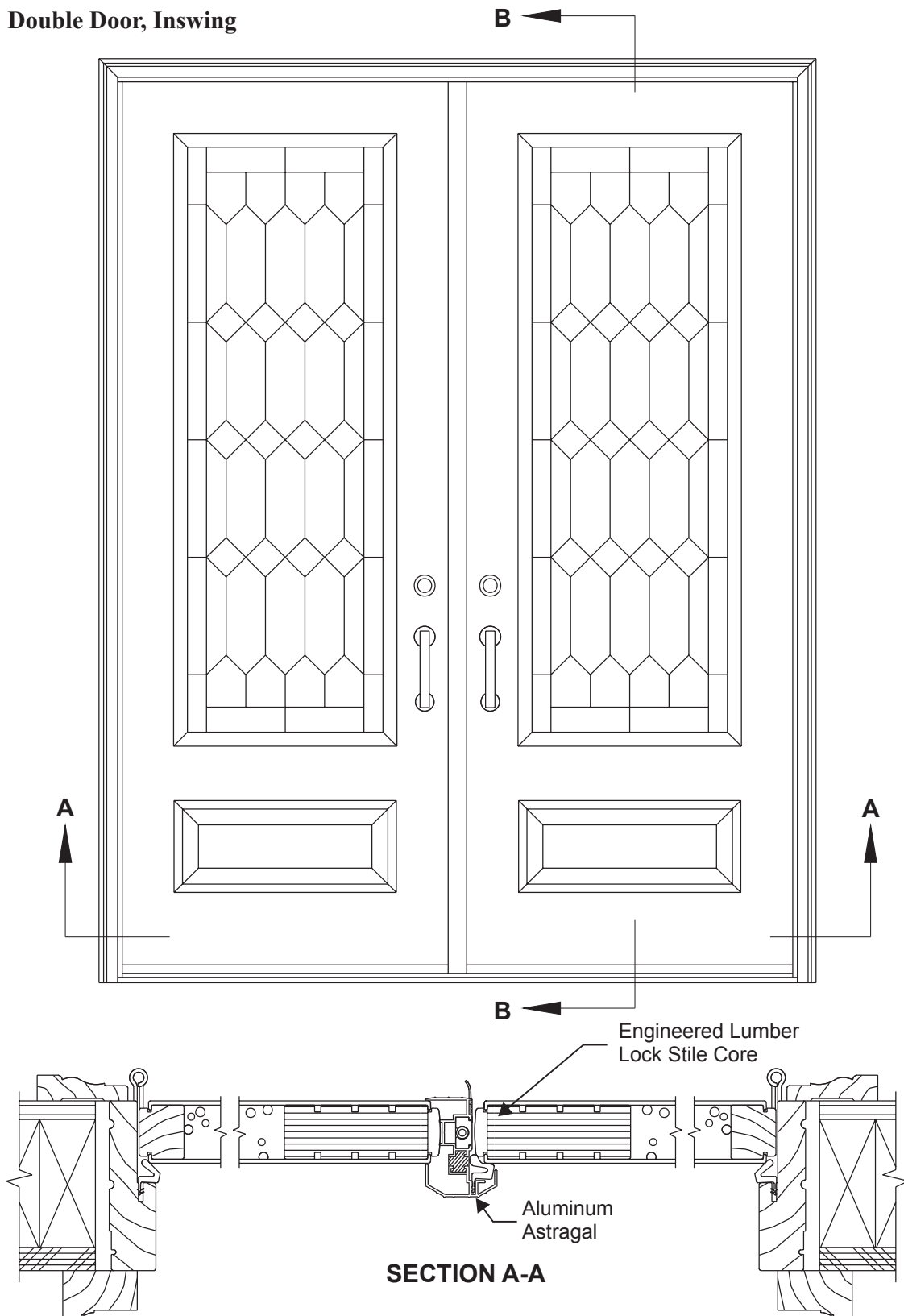
Door/Sidelite with Boxed Frames, Joined, with Casing

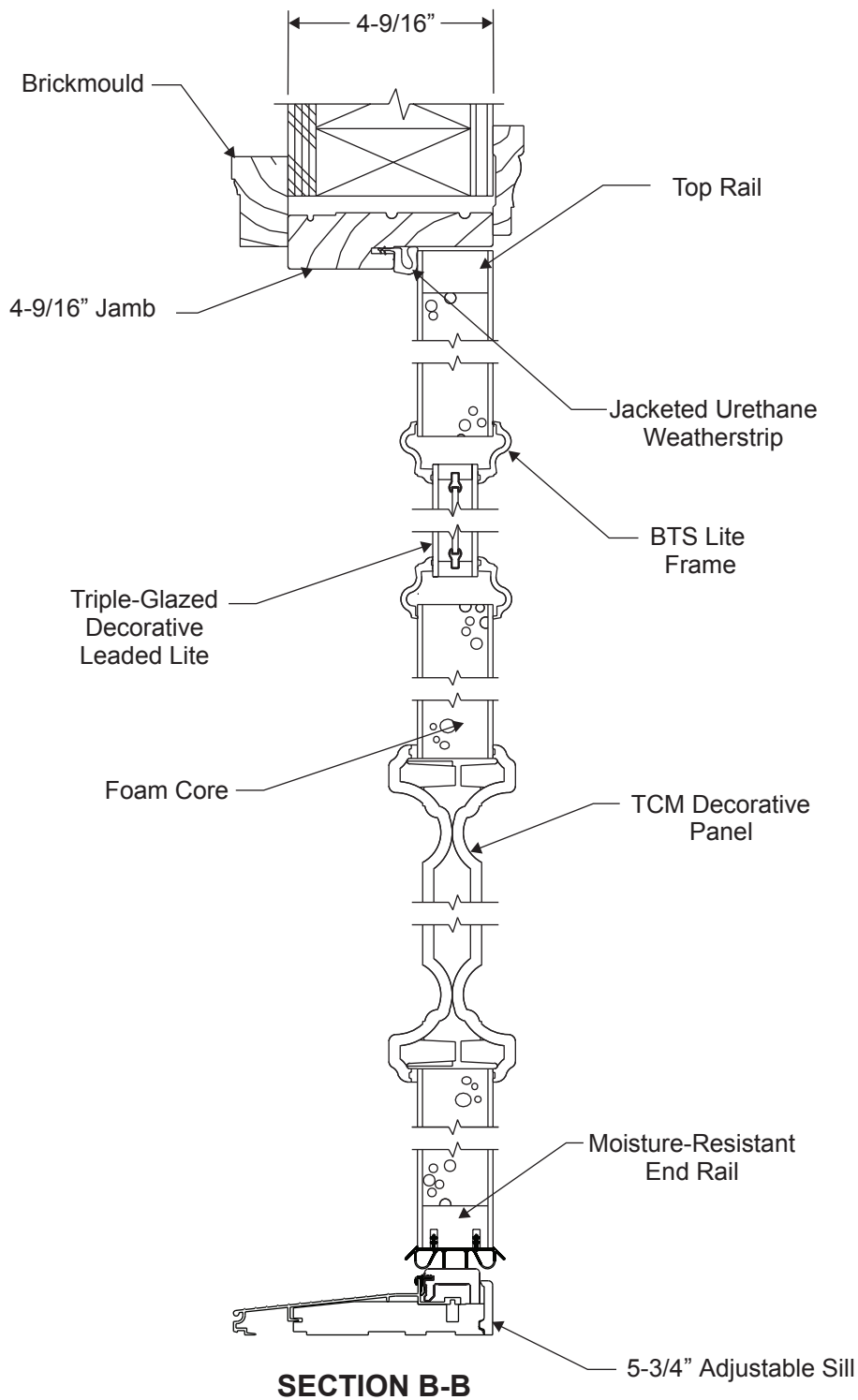




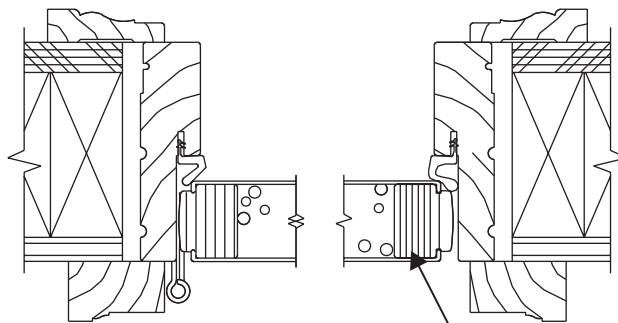
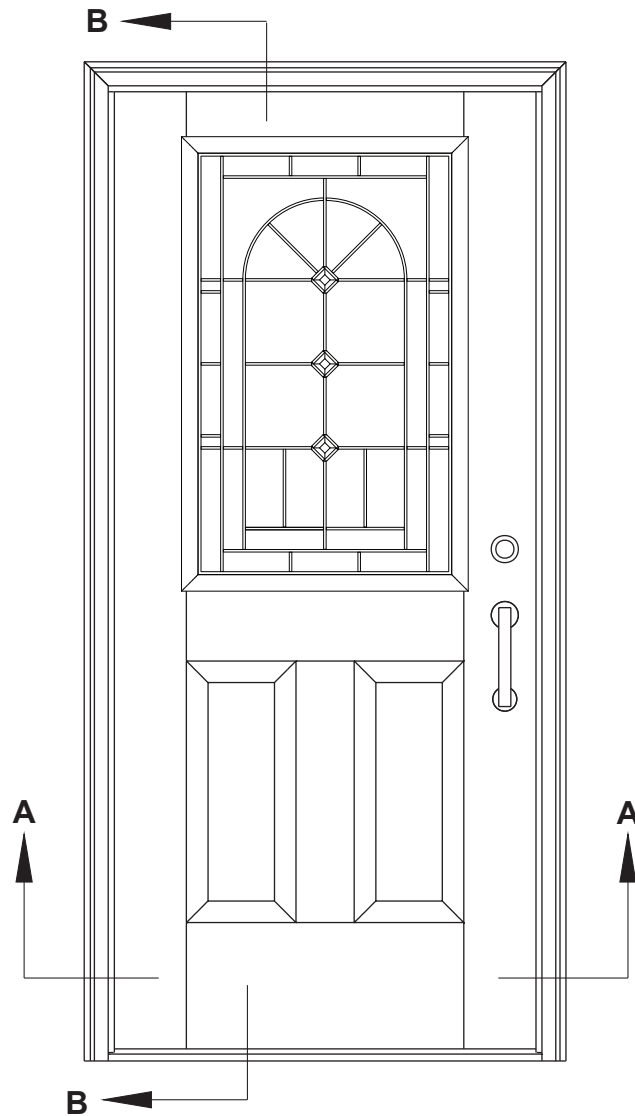
Architectural
Details

Double Door, Inswing



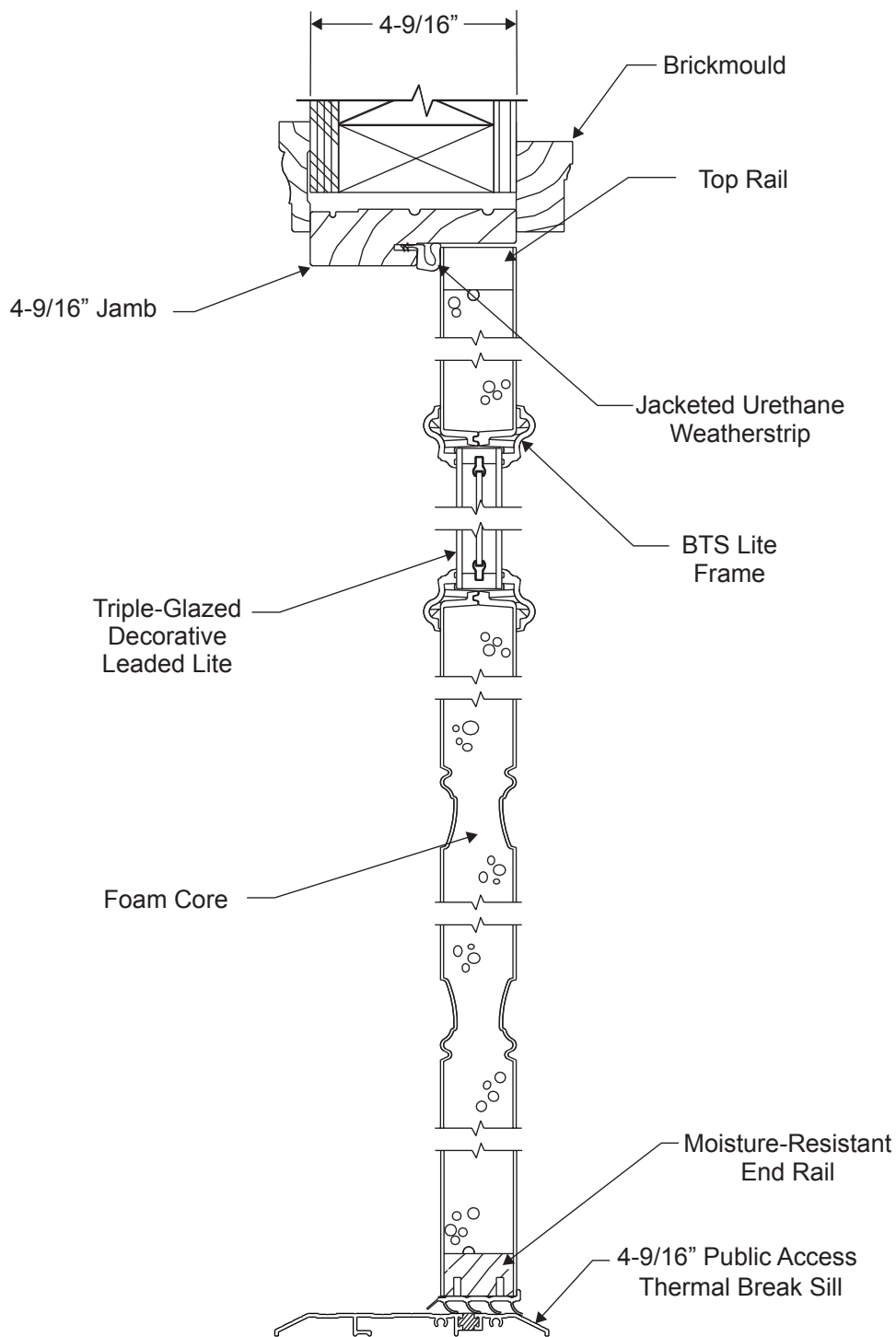


Single Door, Outswing



SECTION A-A

Engineered Lumber Lock Stile Core

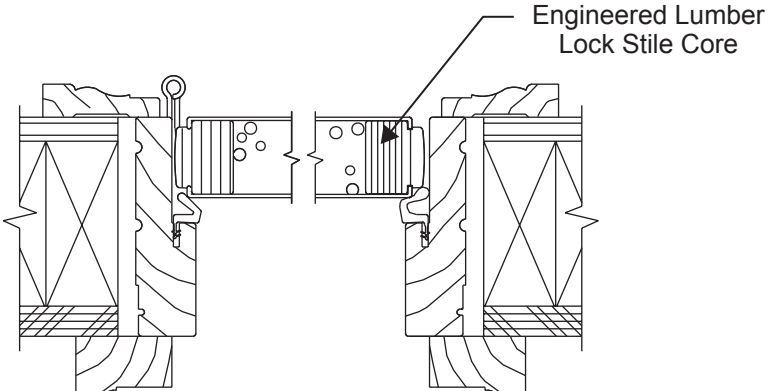
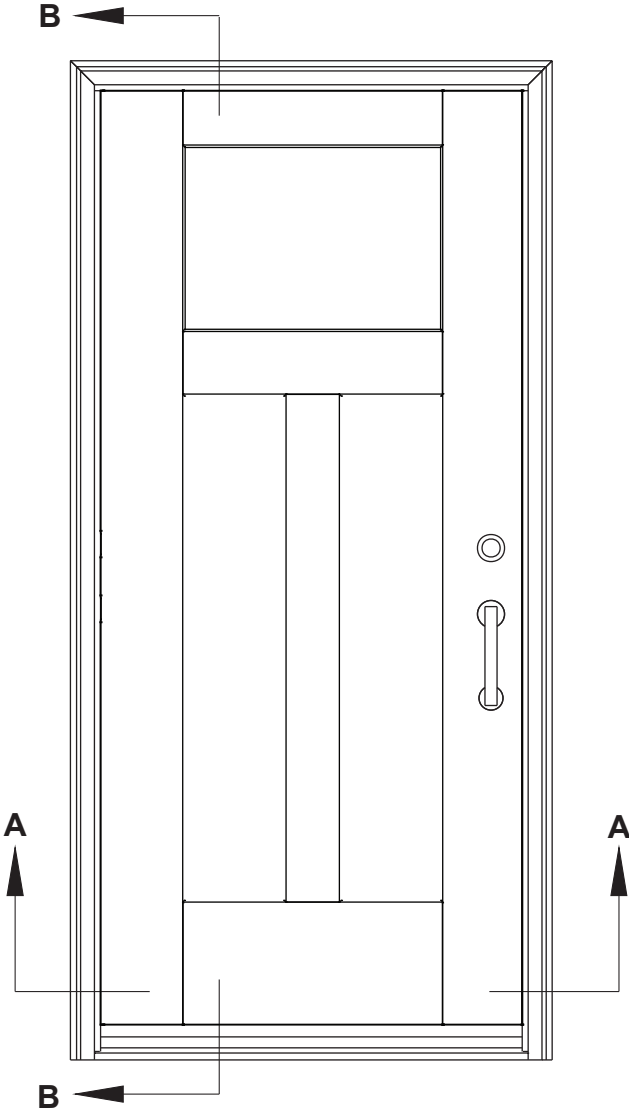


SECTION B-B

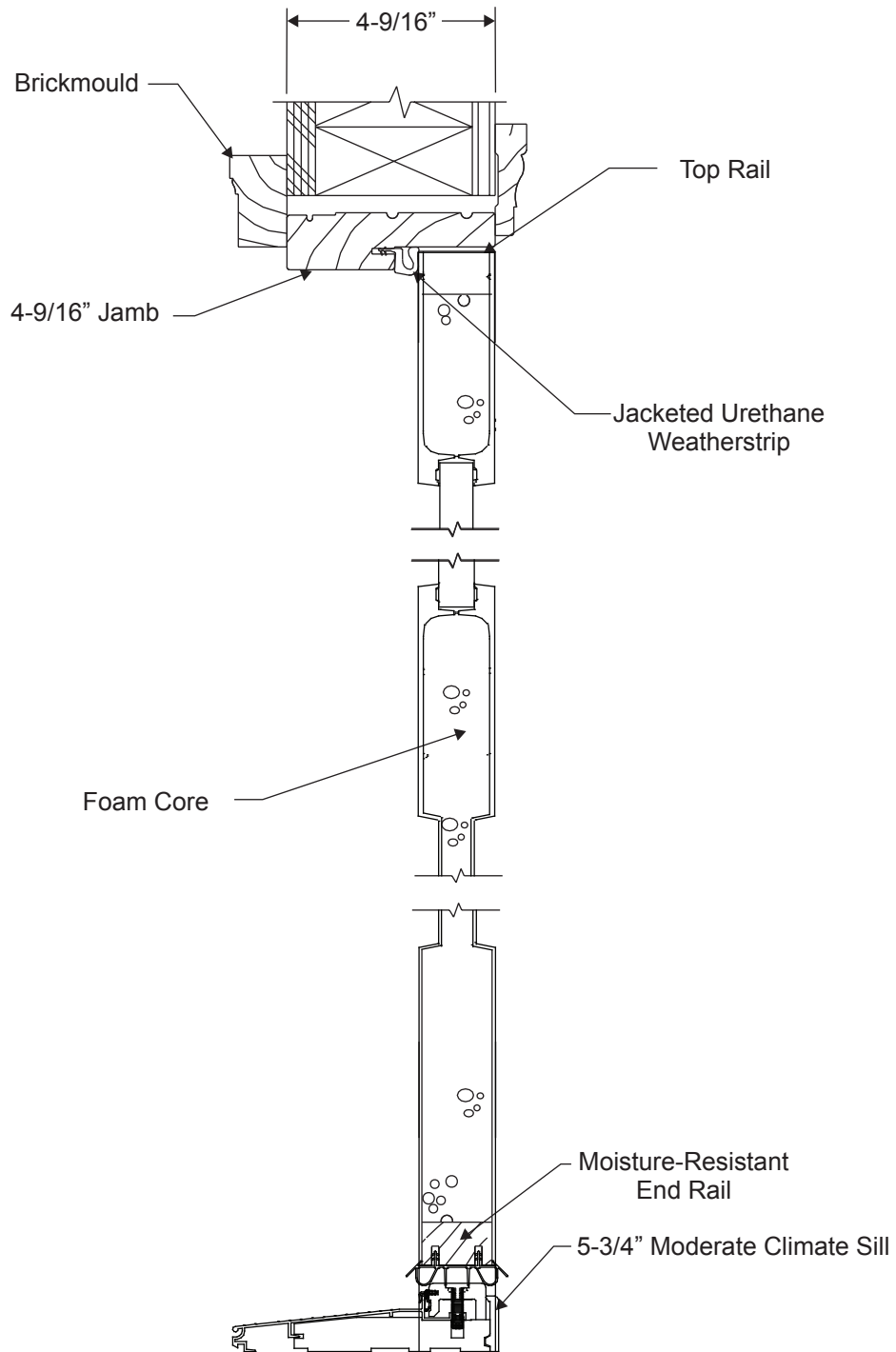
Smooth-Star Shaker

Architectural
Details

Single Door, Inswing



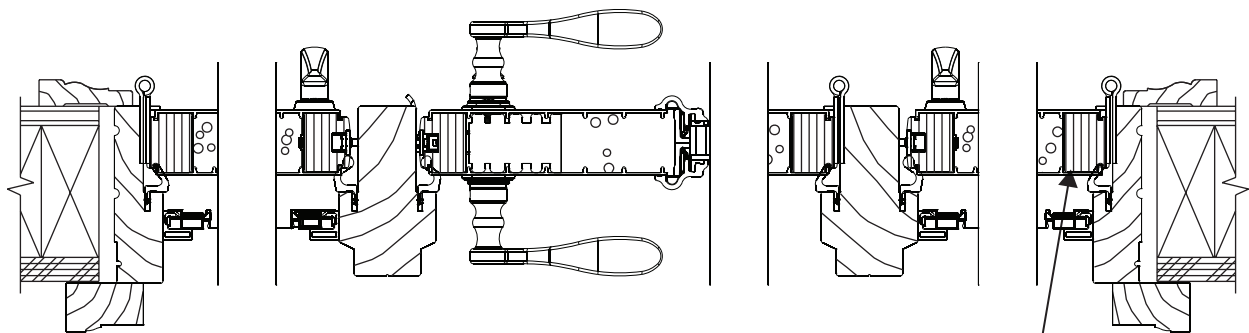
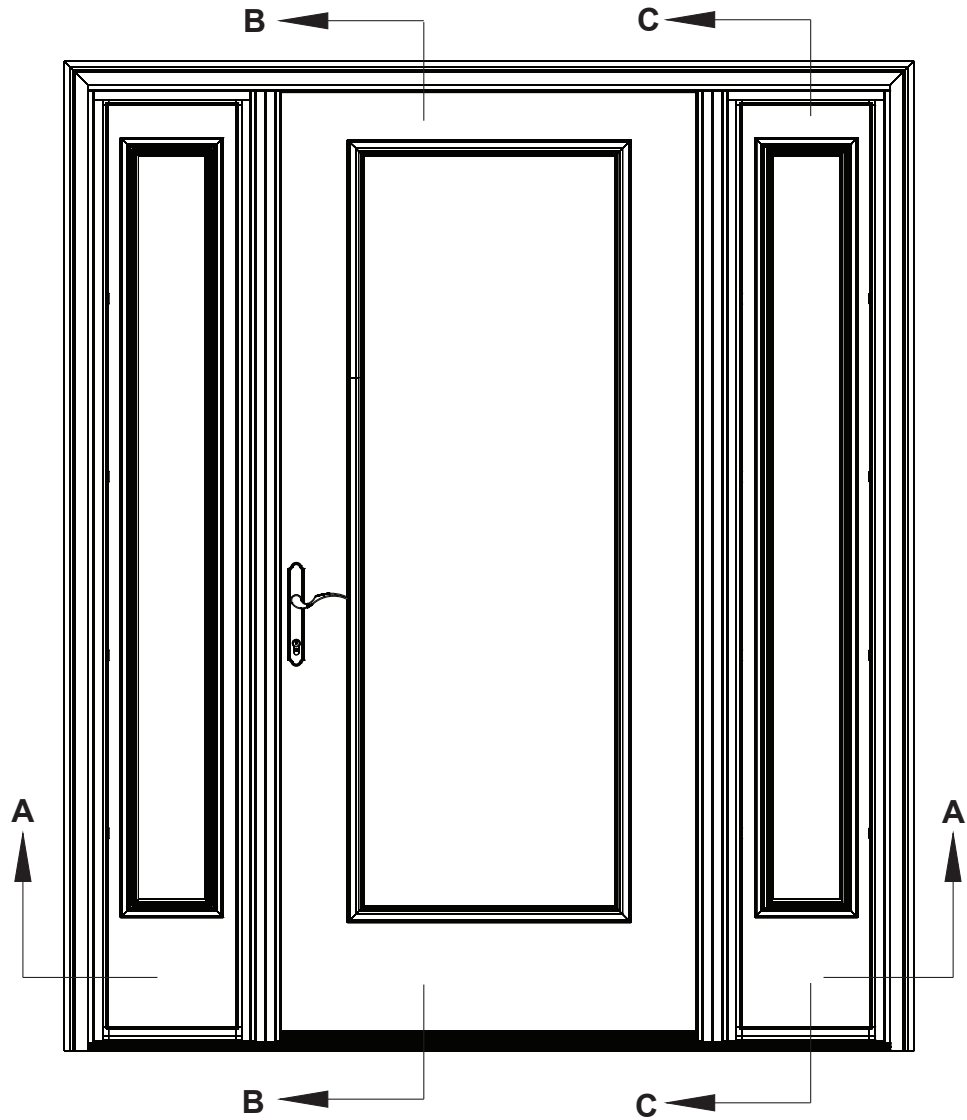
SECTION A-A



SECTION B-B

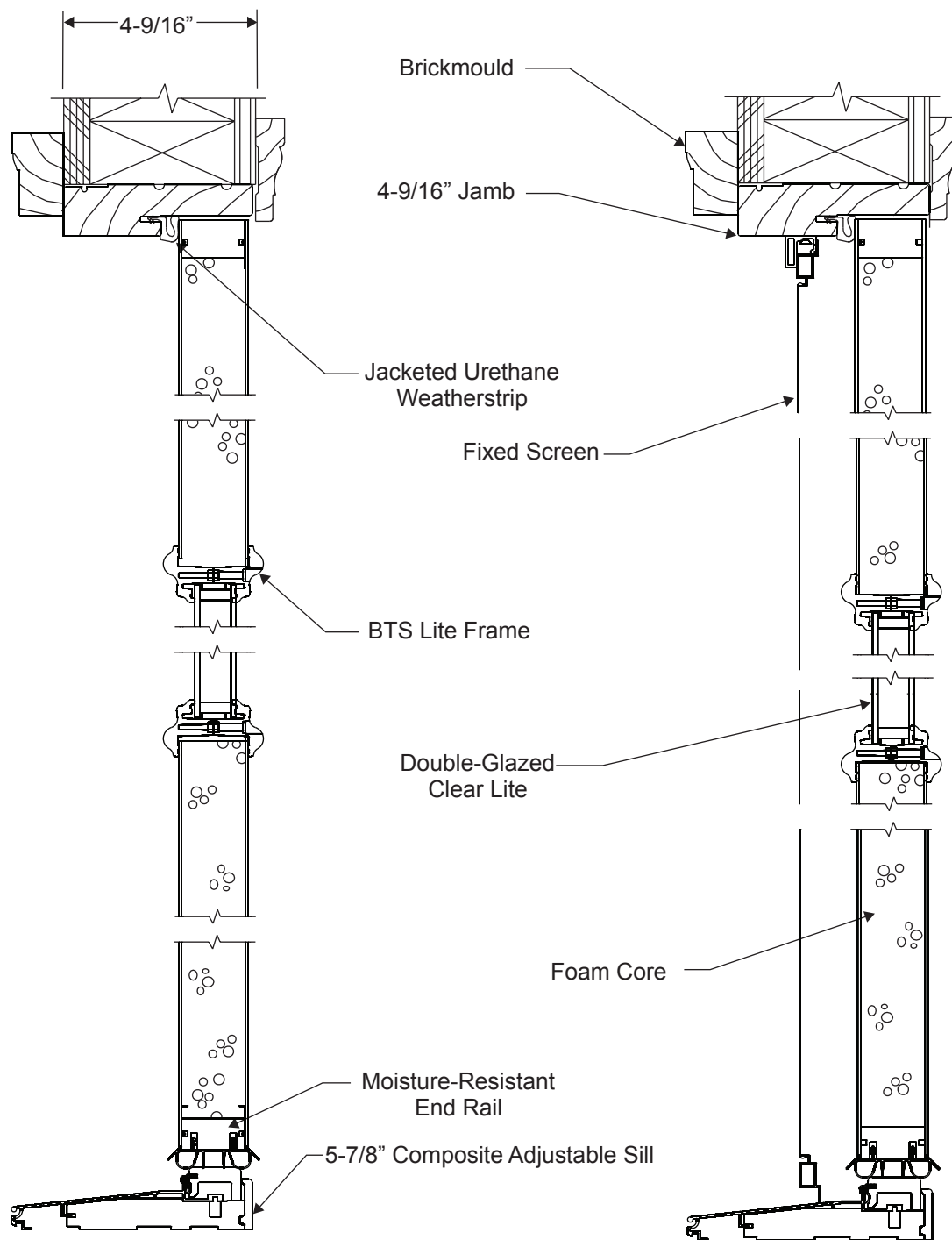
Architectural
Details

Door with Vented Sidelites, Continuous Frame, with Casing



SECTION A-A

Engineered
Lumber
Lock Stile
Core



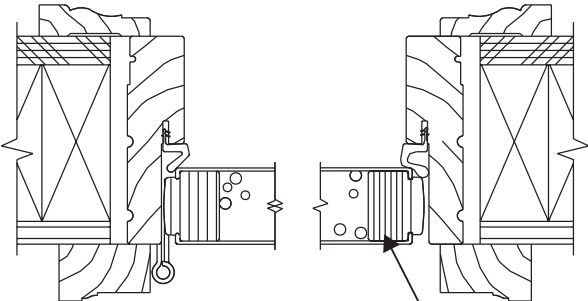
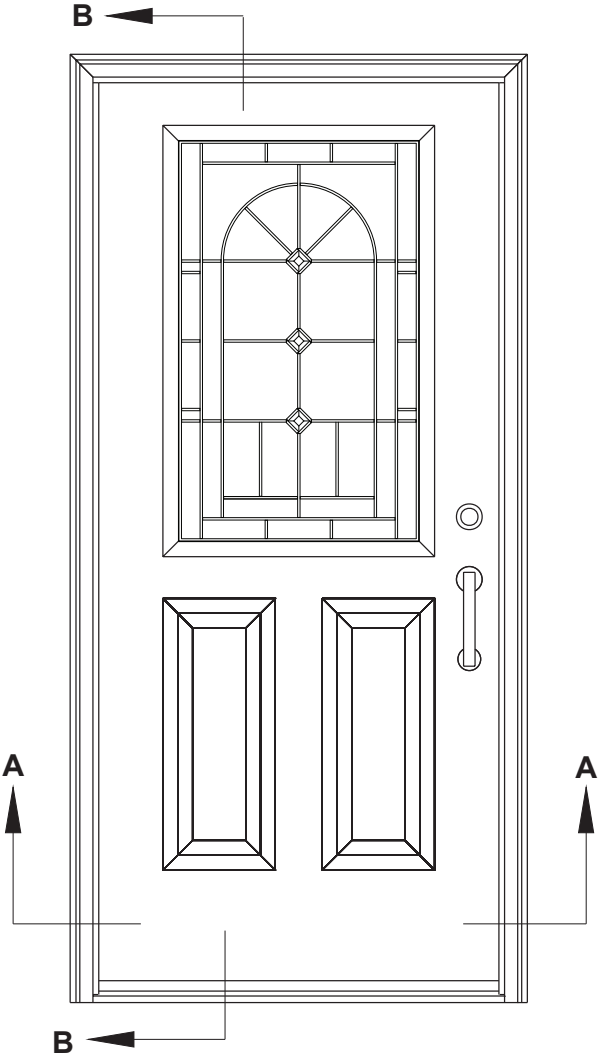
SECTION B-B

SECTION C-C

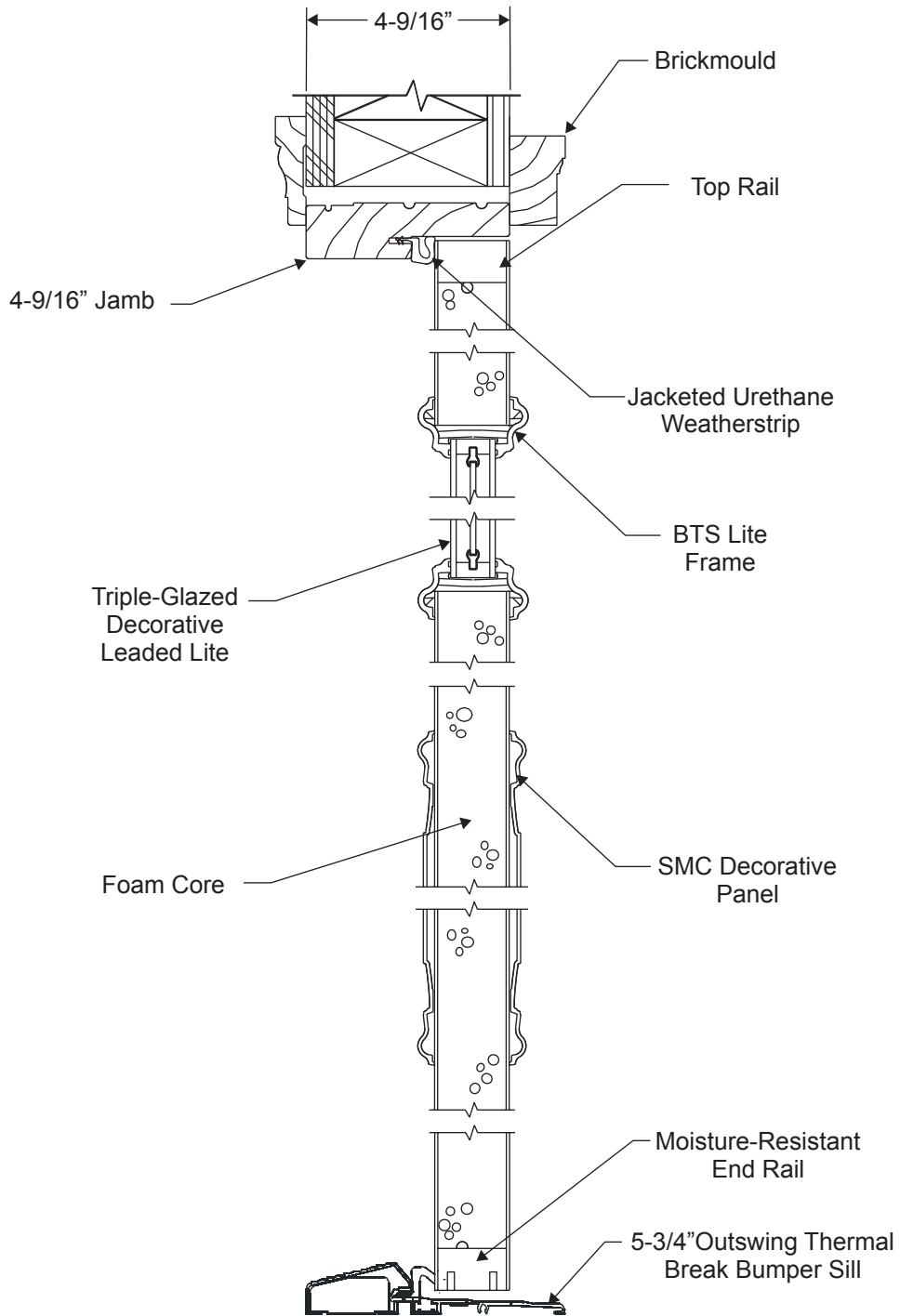
Smooth-Star Raised Panel

Architectural
Details

Single Door, Outswing



SECTION A-A — Engineered Lumber Lock Stile Core

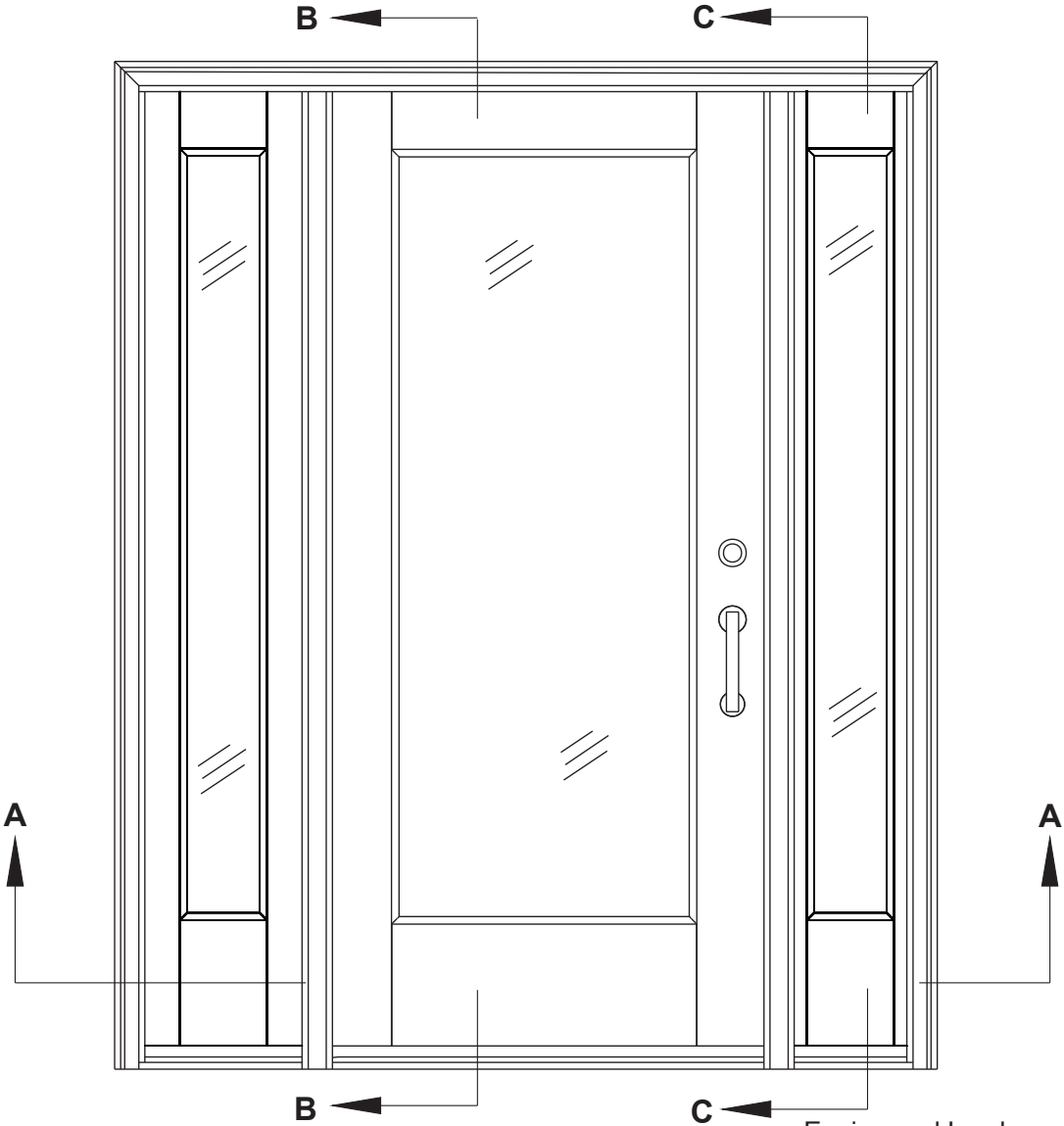


SECTION B-B

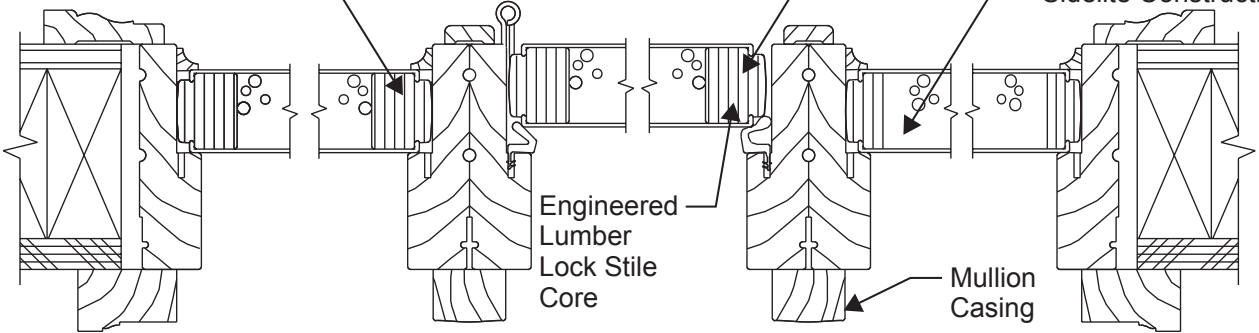
Smooth-Star Flush-Glazed Door

Architectural
Details

Door with Sidelites, Boxed Frames and Joined with Casings



12" & 14" Flush-Glazed
Sidelite Construction



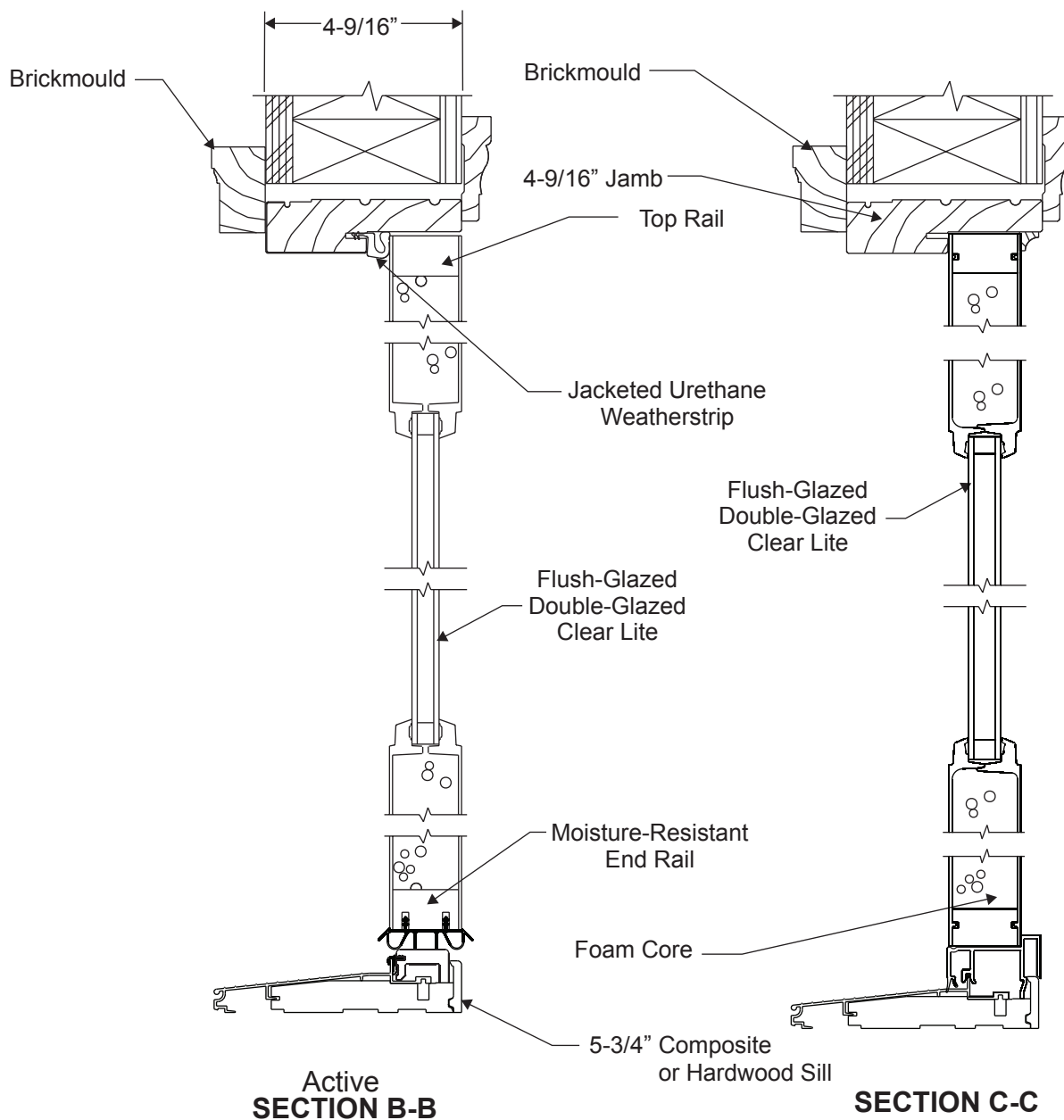
Engineered Lumber
Lock Stile Core

10" Flush-Glazed
Sidelite Construction

Engineered
Lumber
Lock Stile
Core

Mullion
Casing

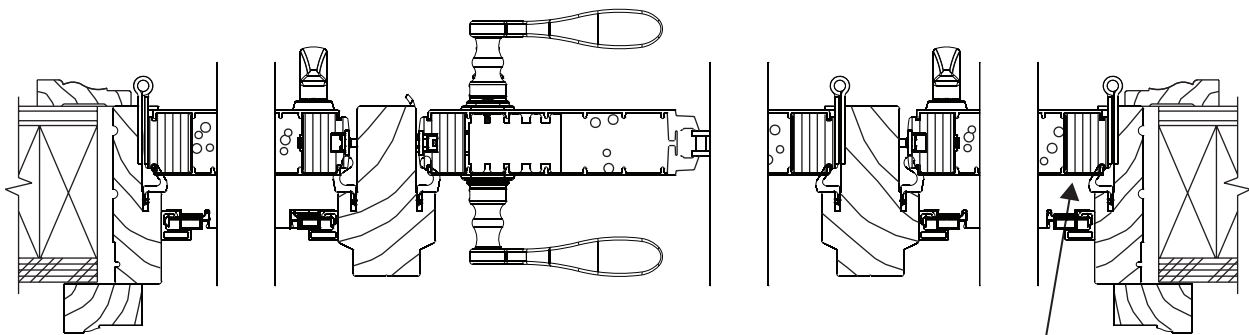
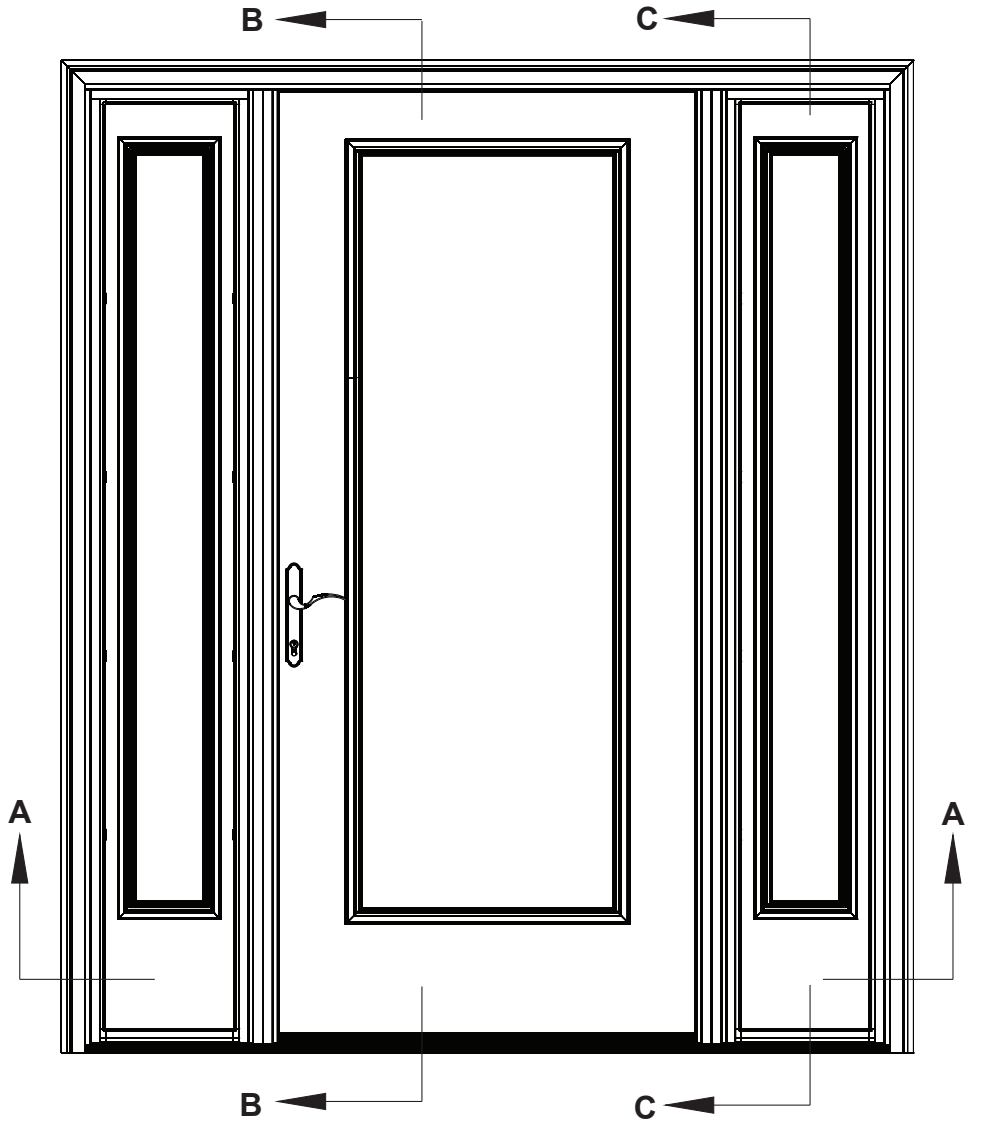
SECTION A-A



Smooth-Star Flush-Glazed Door

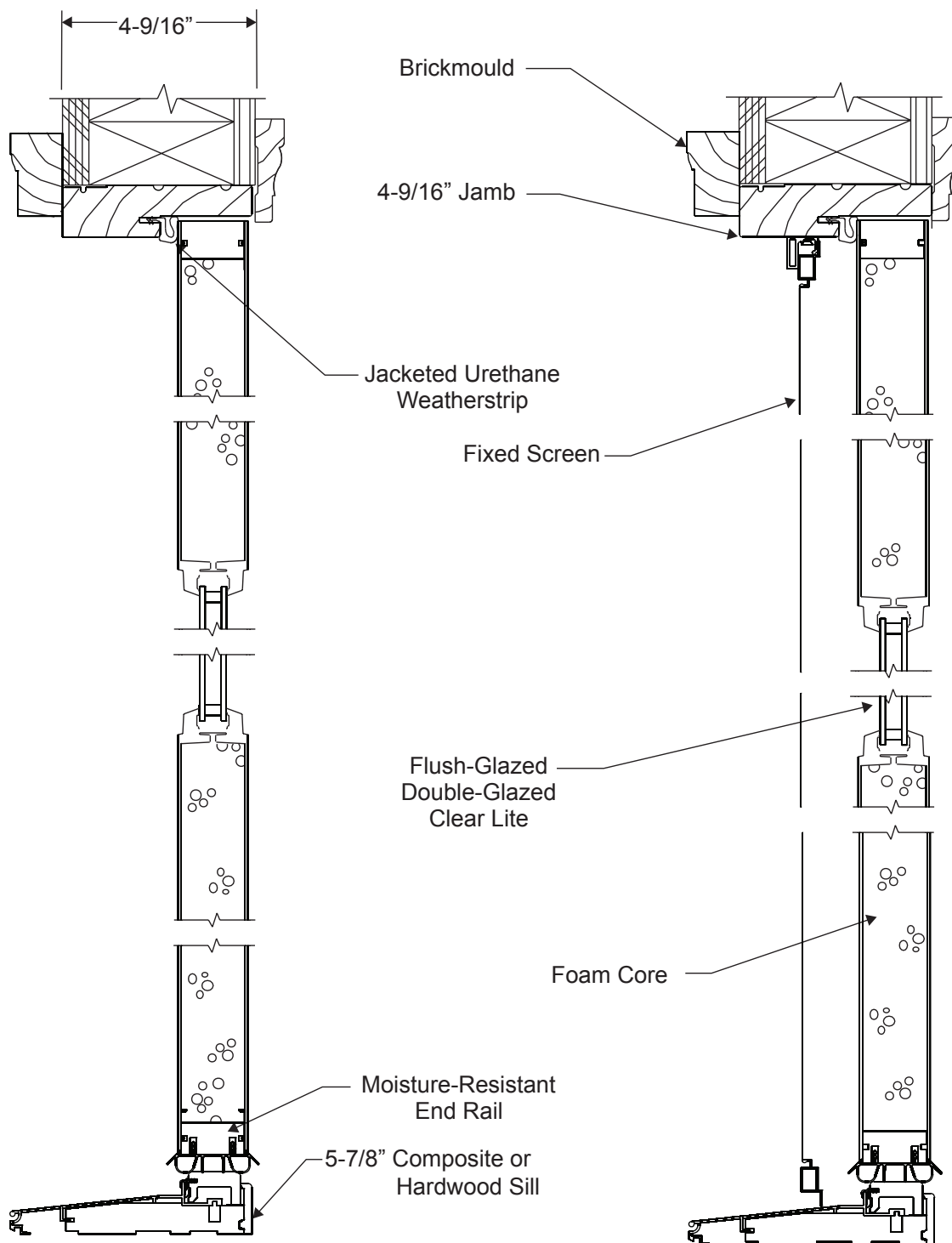
Architectural
Details

Door with Vented Sidelites, Continuous Frame, with Casing



SECTION A-A

Engineered
Lumber
Lock Stile
Core

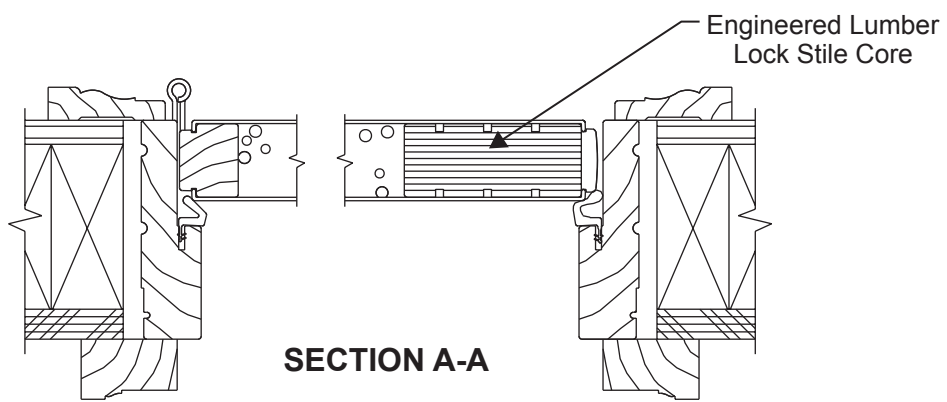
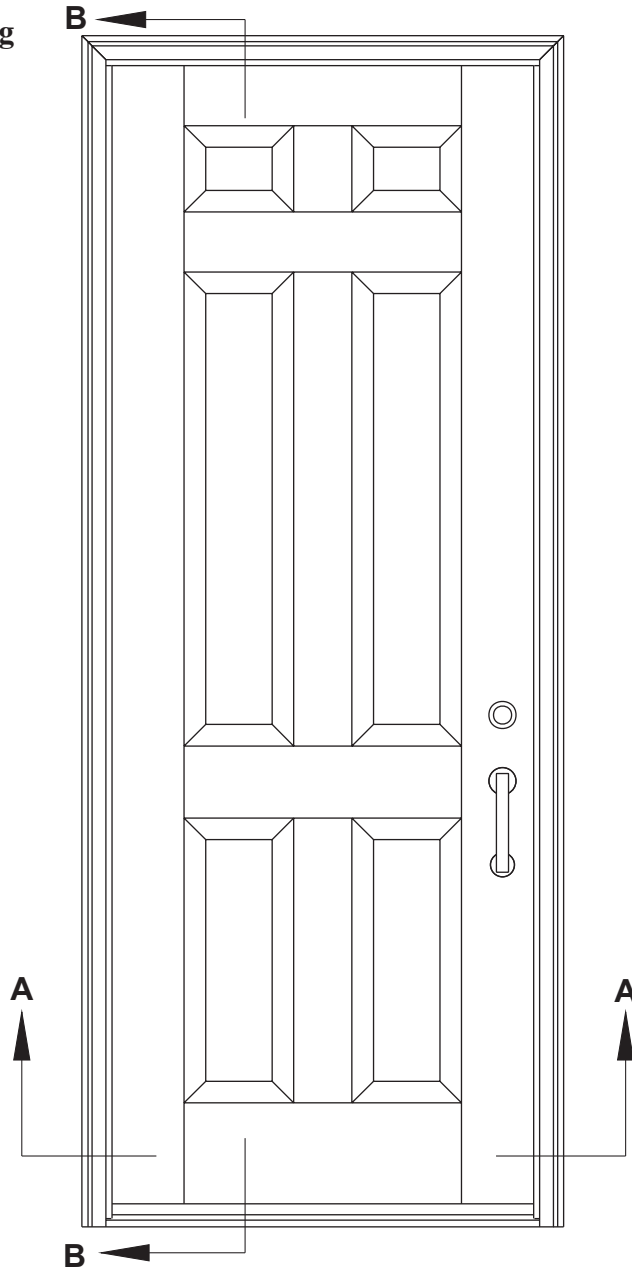


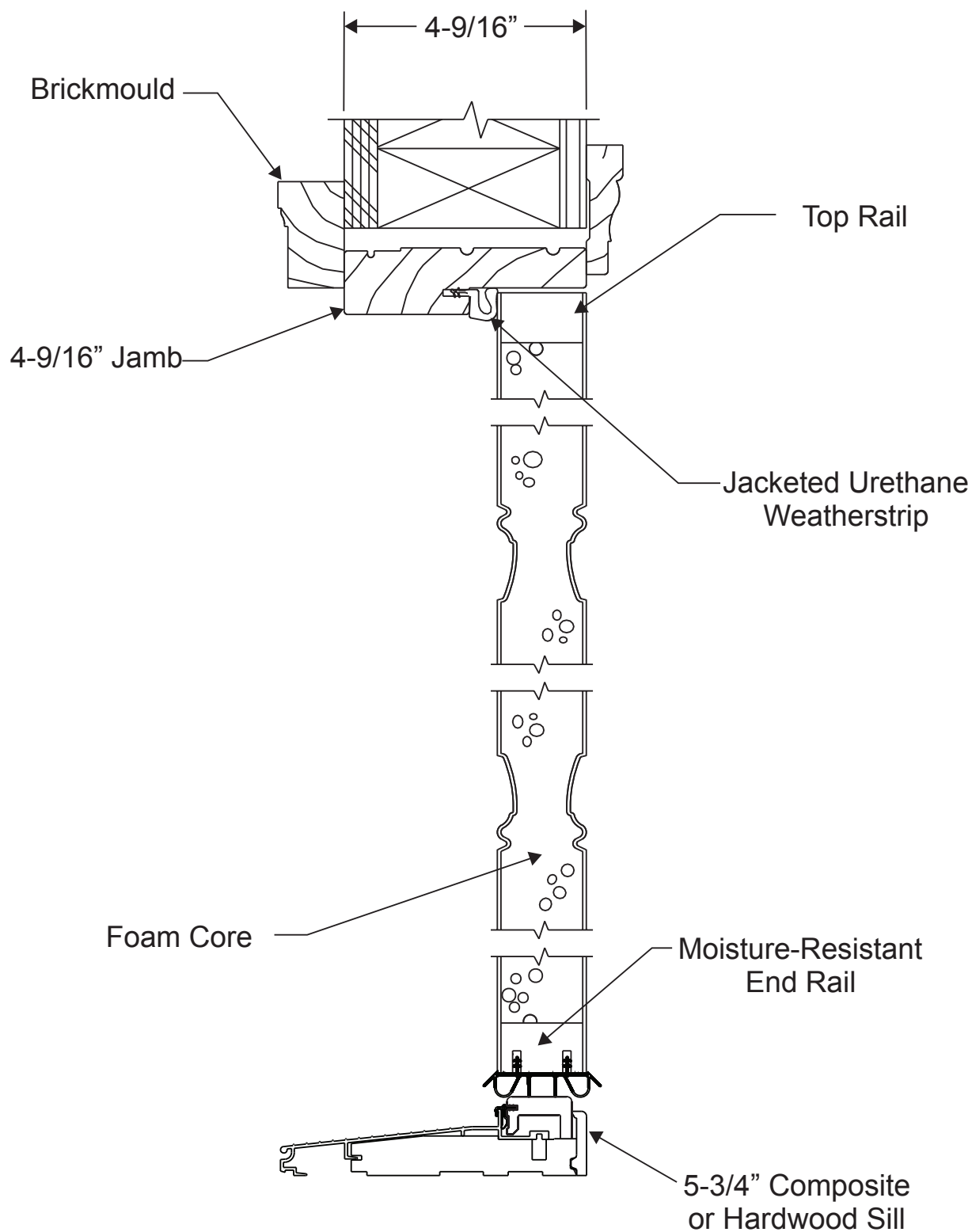
SECTION B-B

SECTION C-C

Architectural
Details

Single Door, Inswing



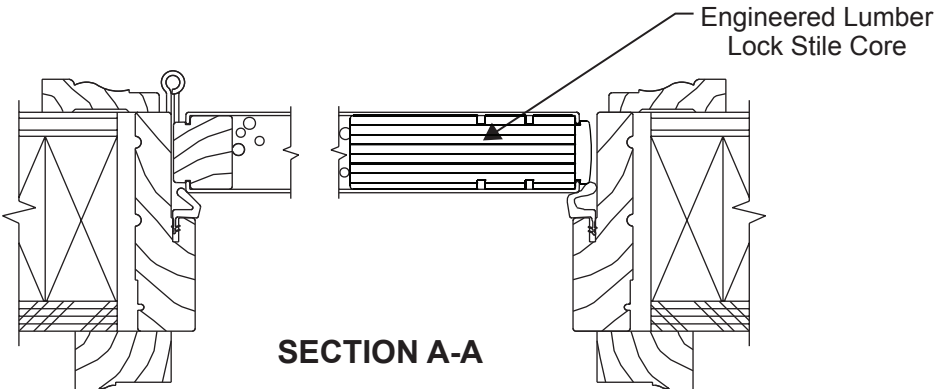
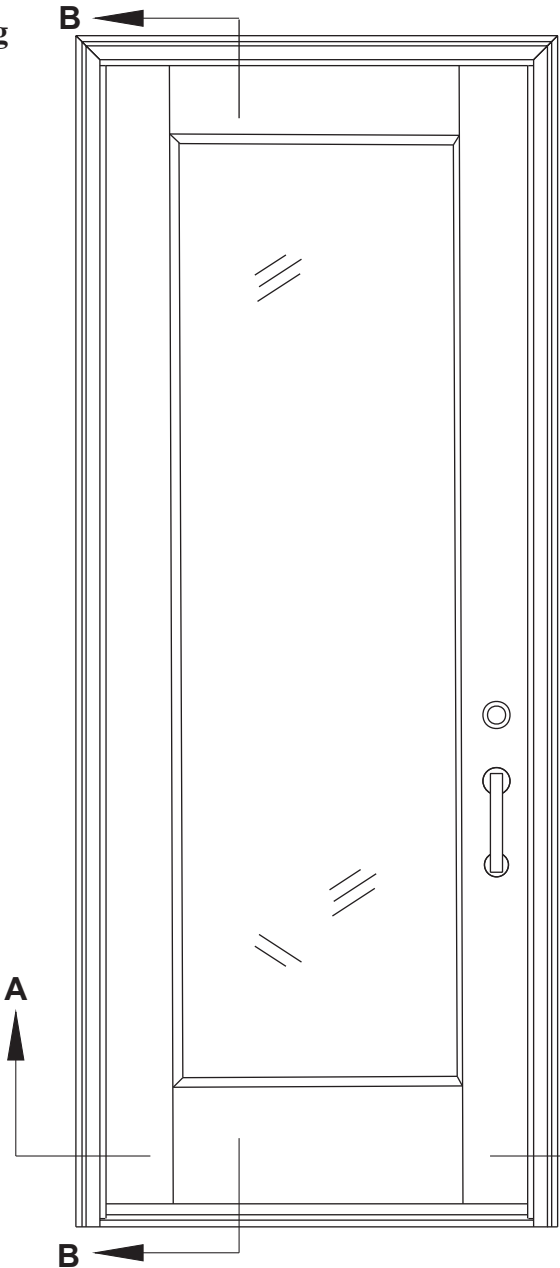


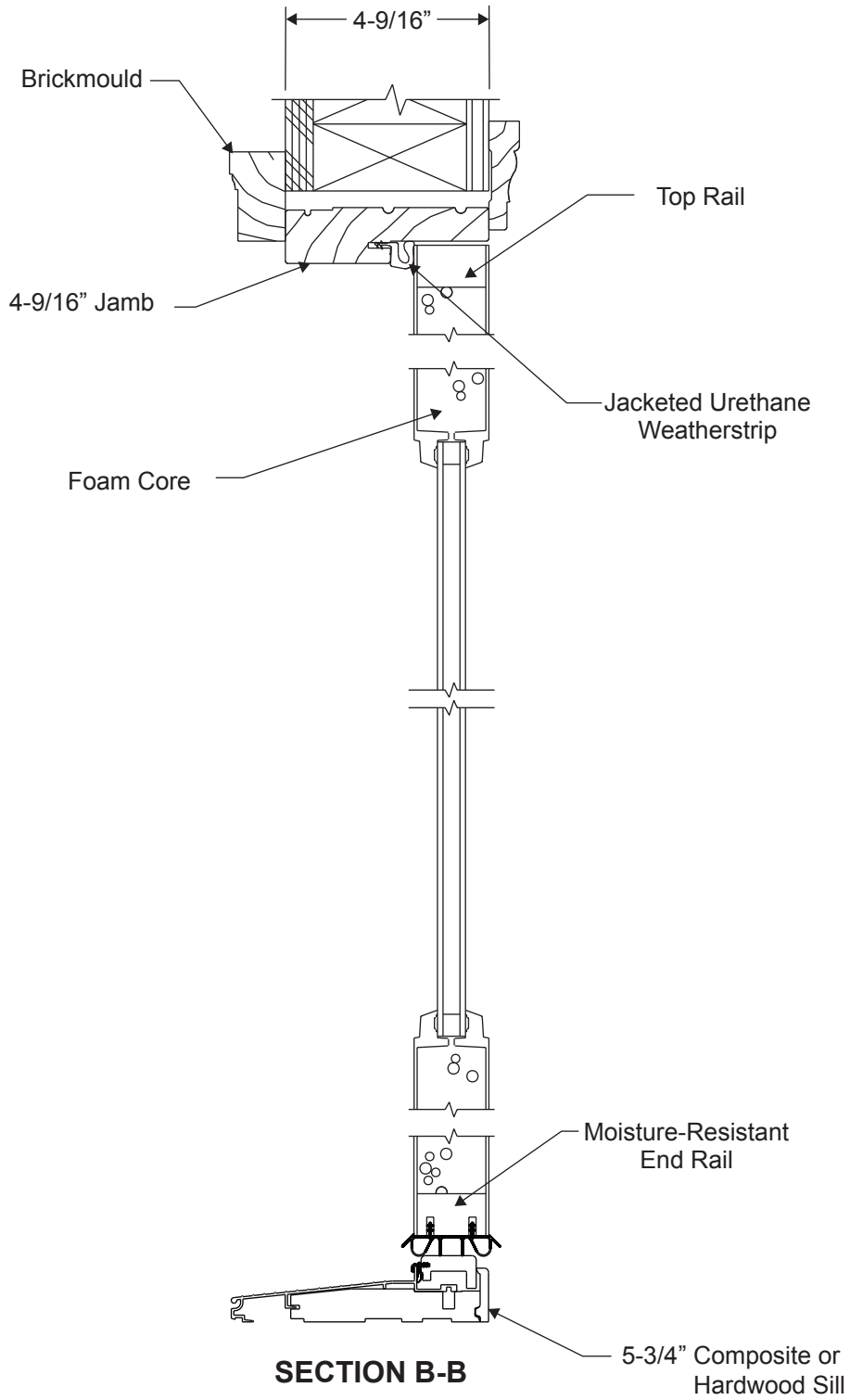
SECTION B-B

Smooth-Star Flush-Glazed Door 8/0

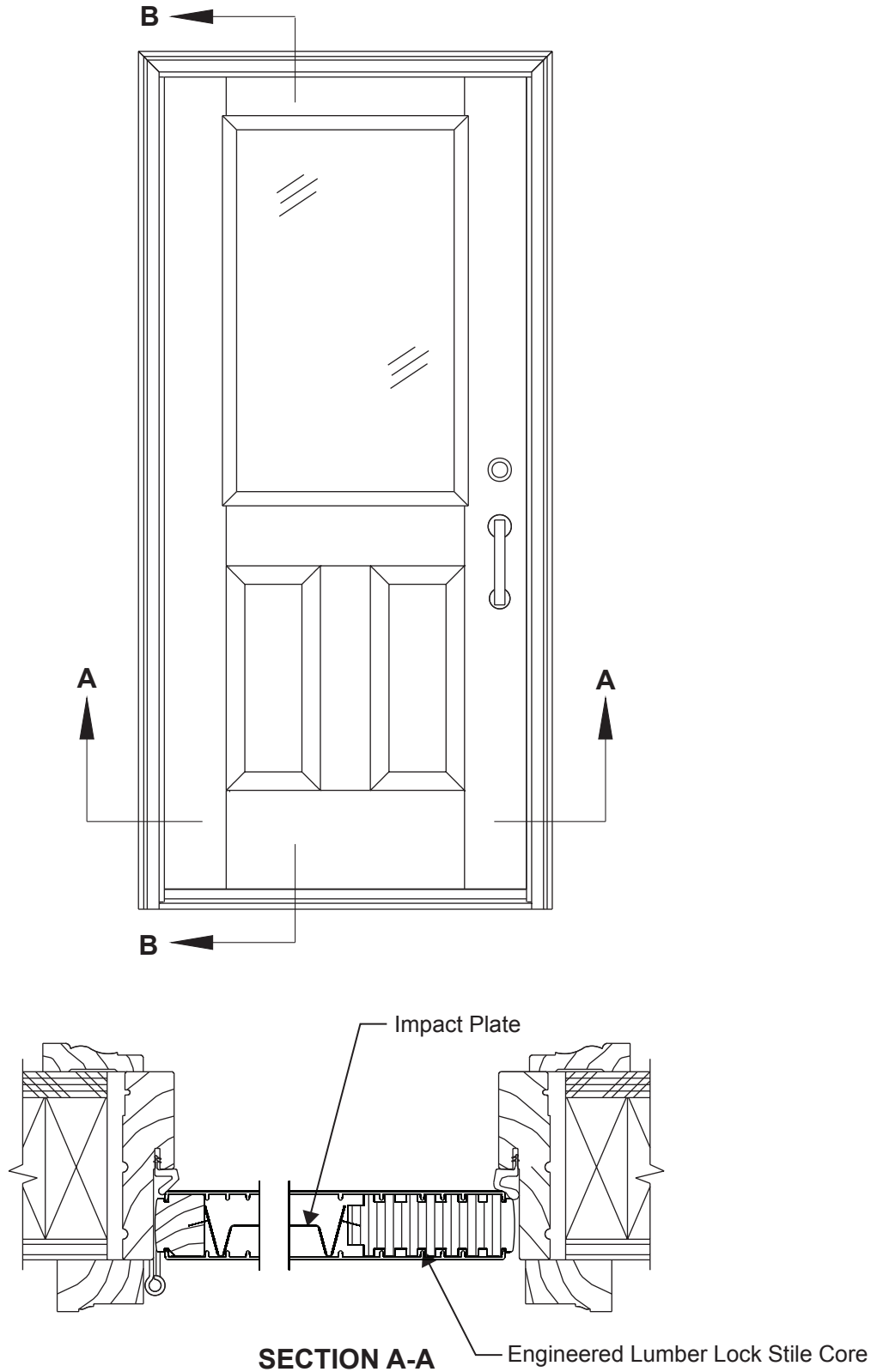
Architectural
Details

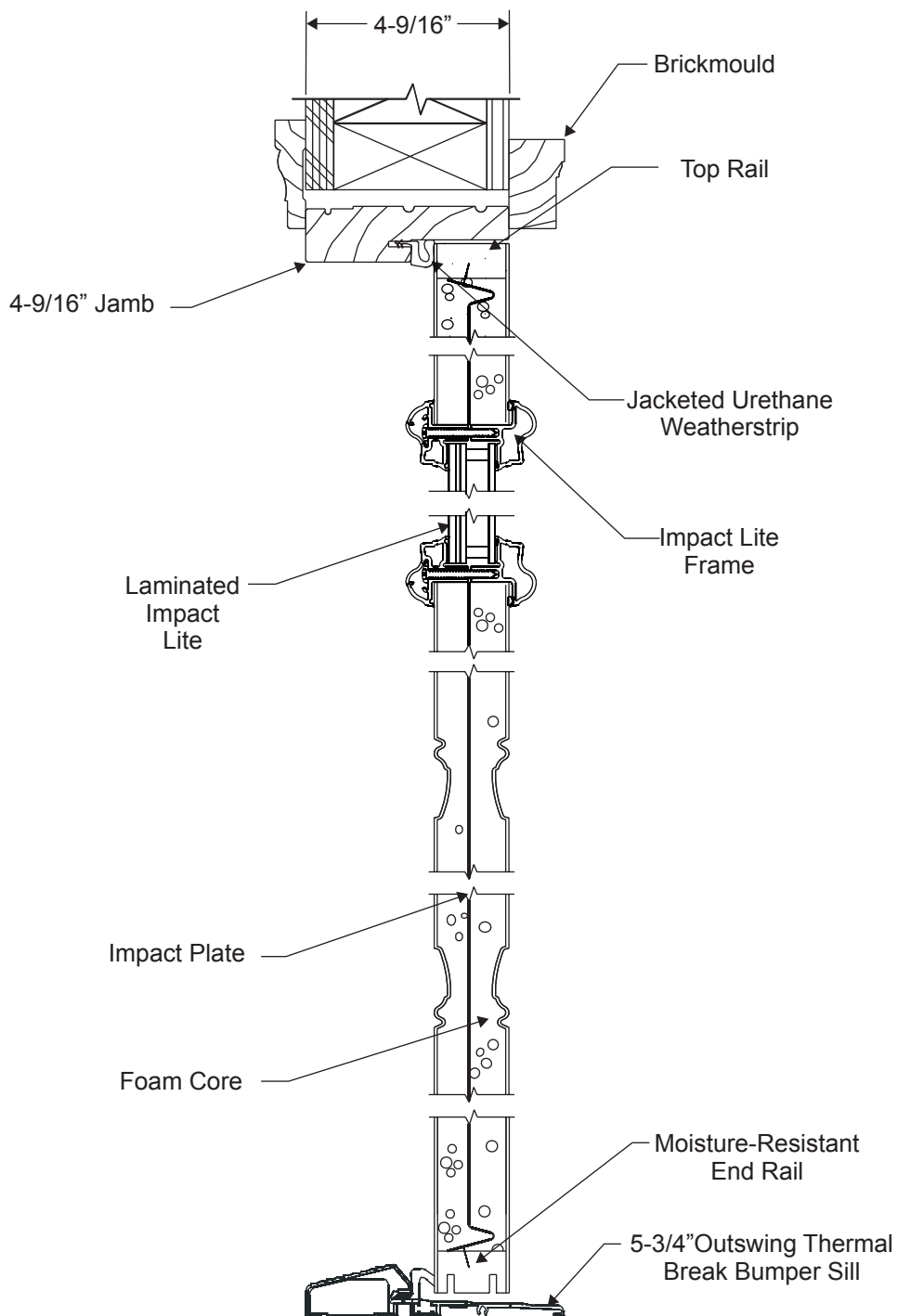
Single Door, Inswing





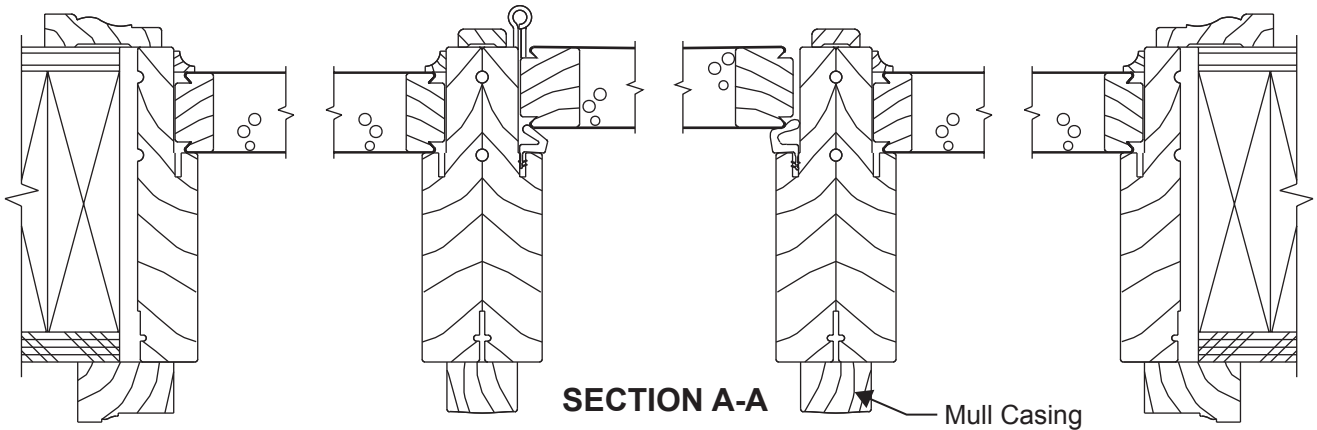
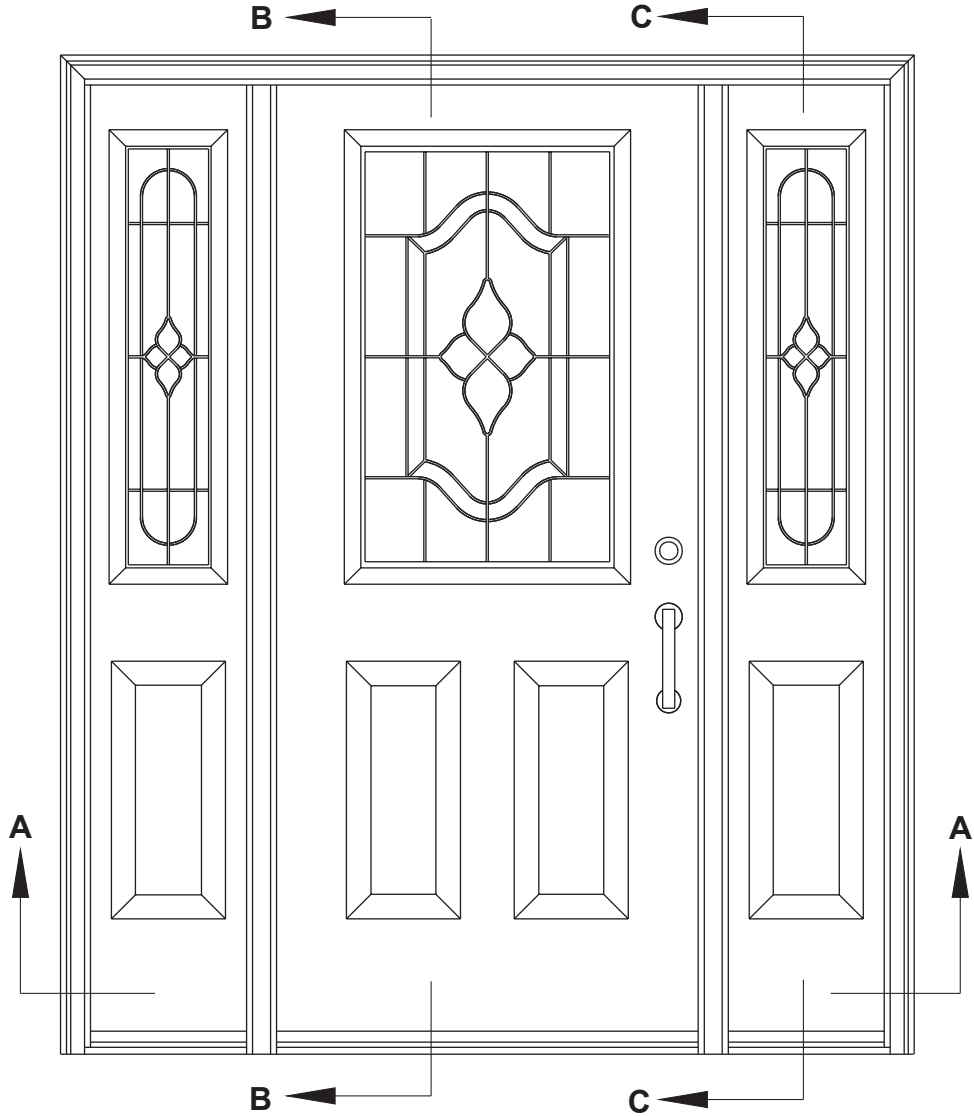
Single Door, Outswing

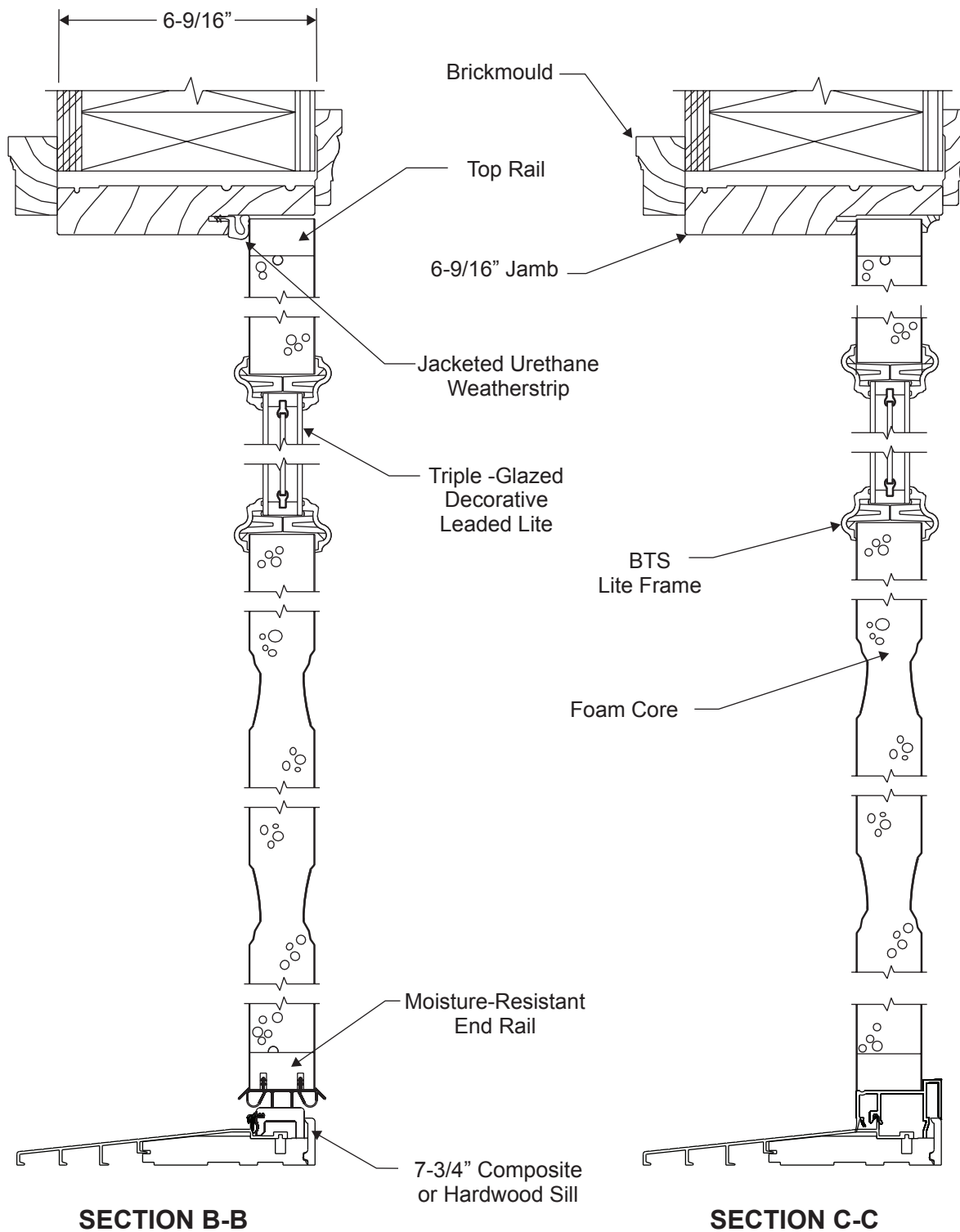




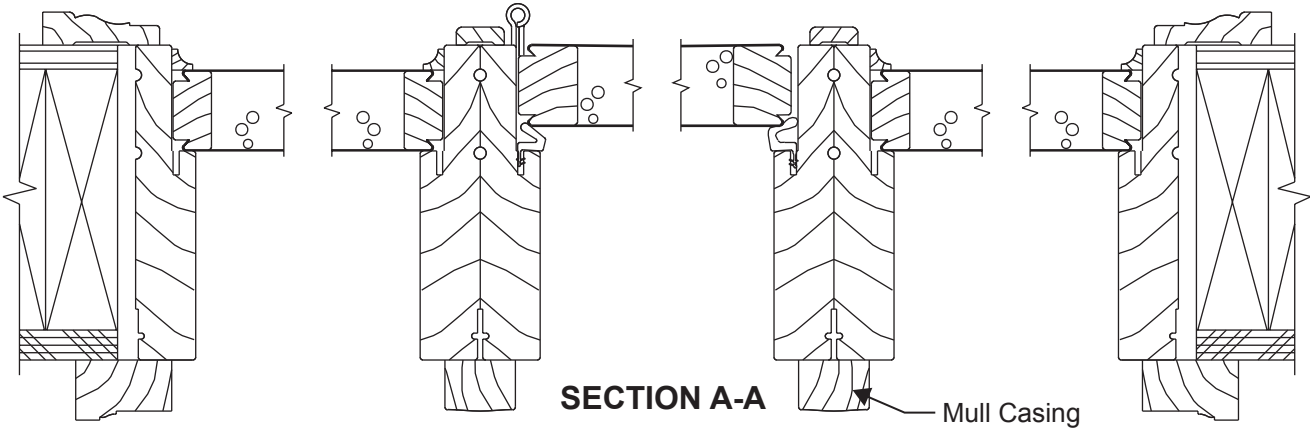
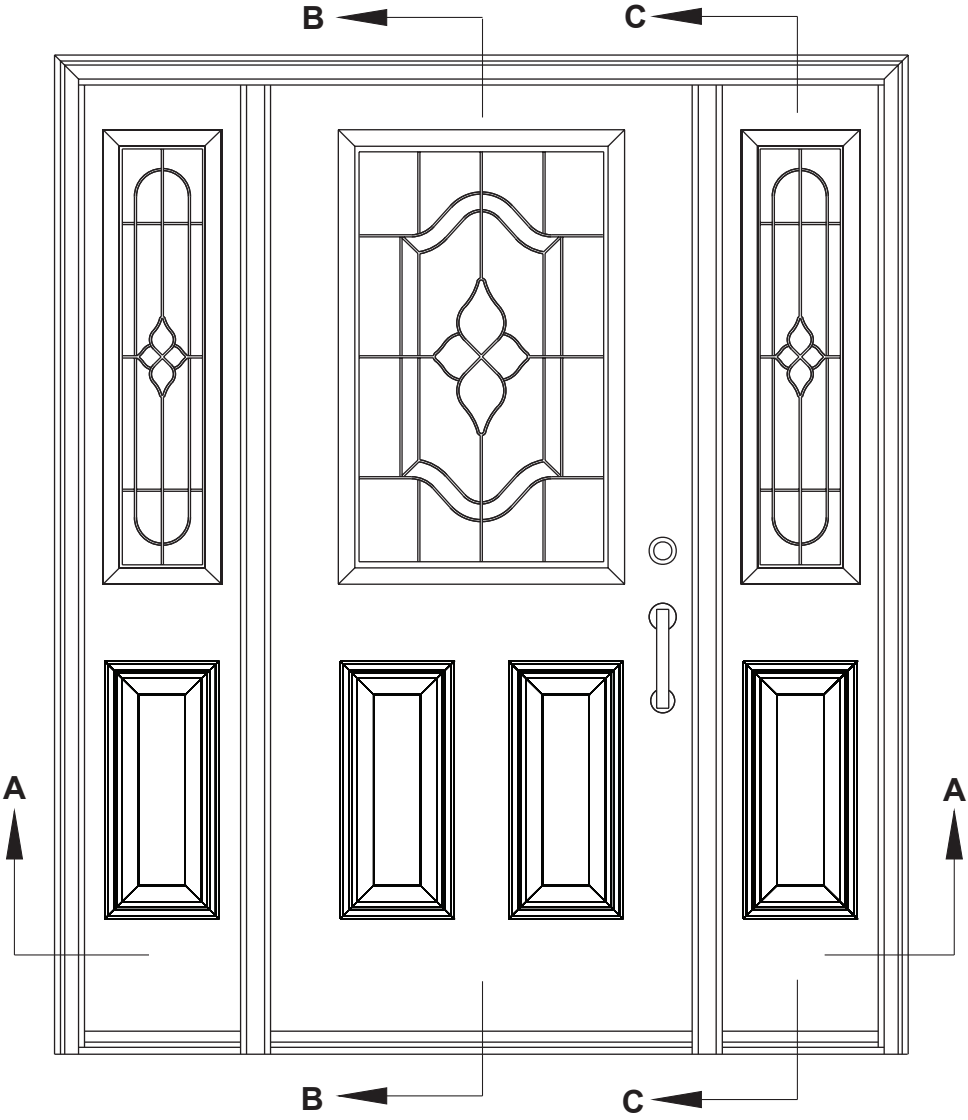
SECTION B-B

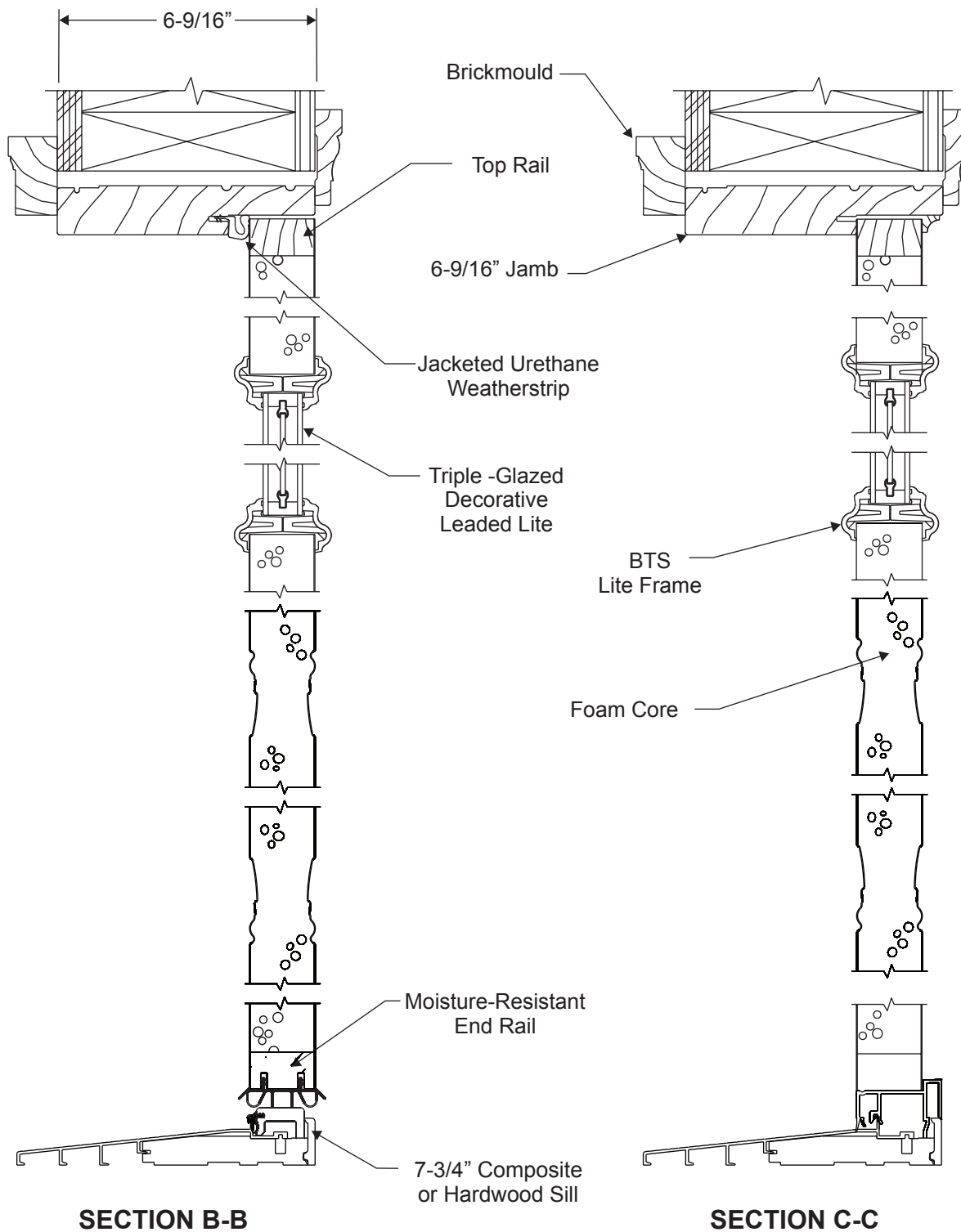
Door/Sidelites with Separate Frames, Joined, with Casing



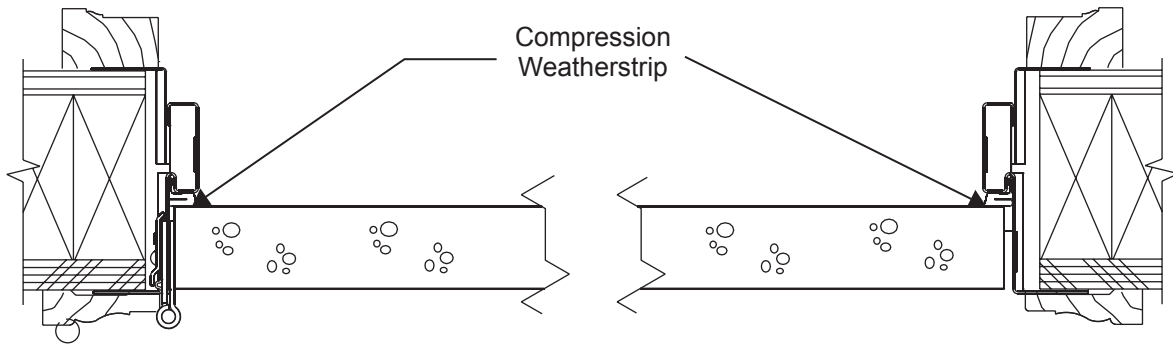
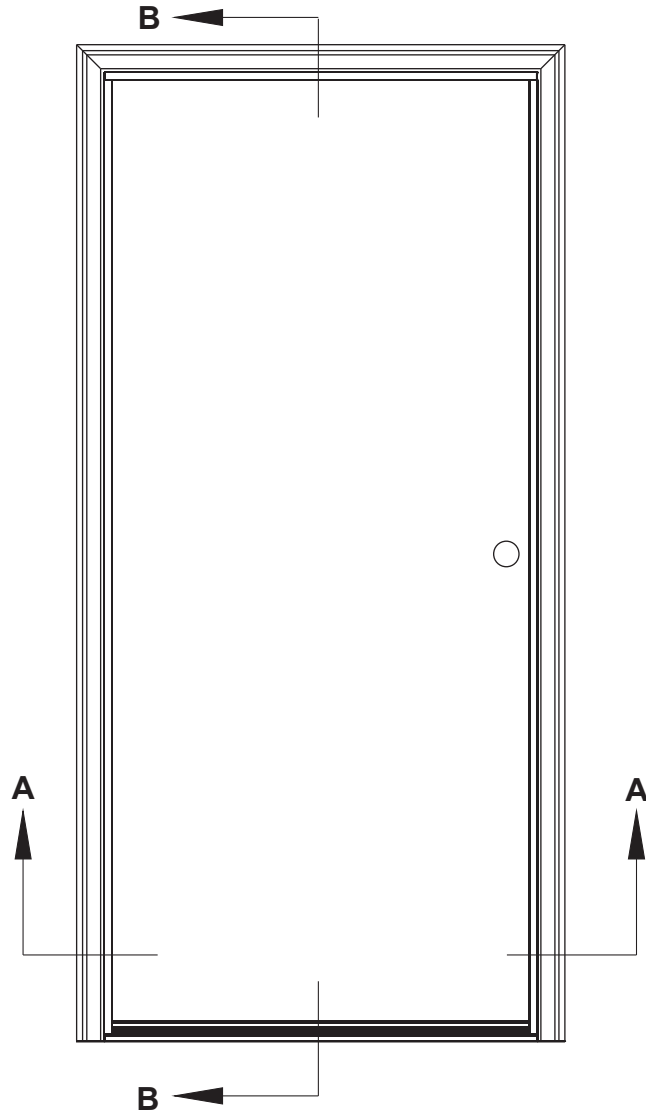


Door/Sidelites with Separate Frames, Joined, with Casing

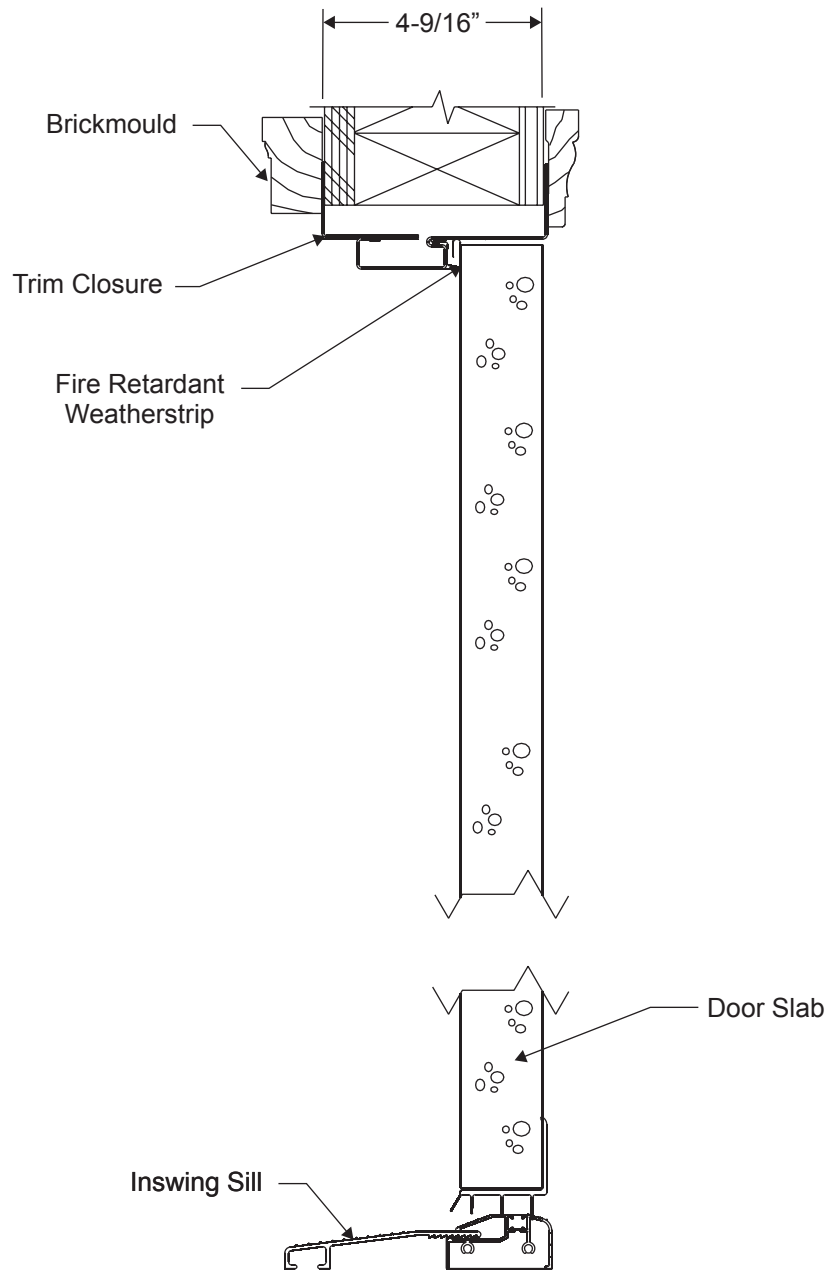




Single Door, Inswing



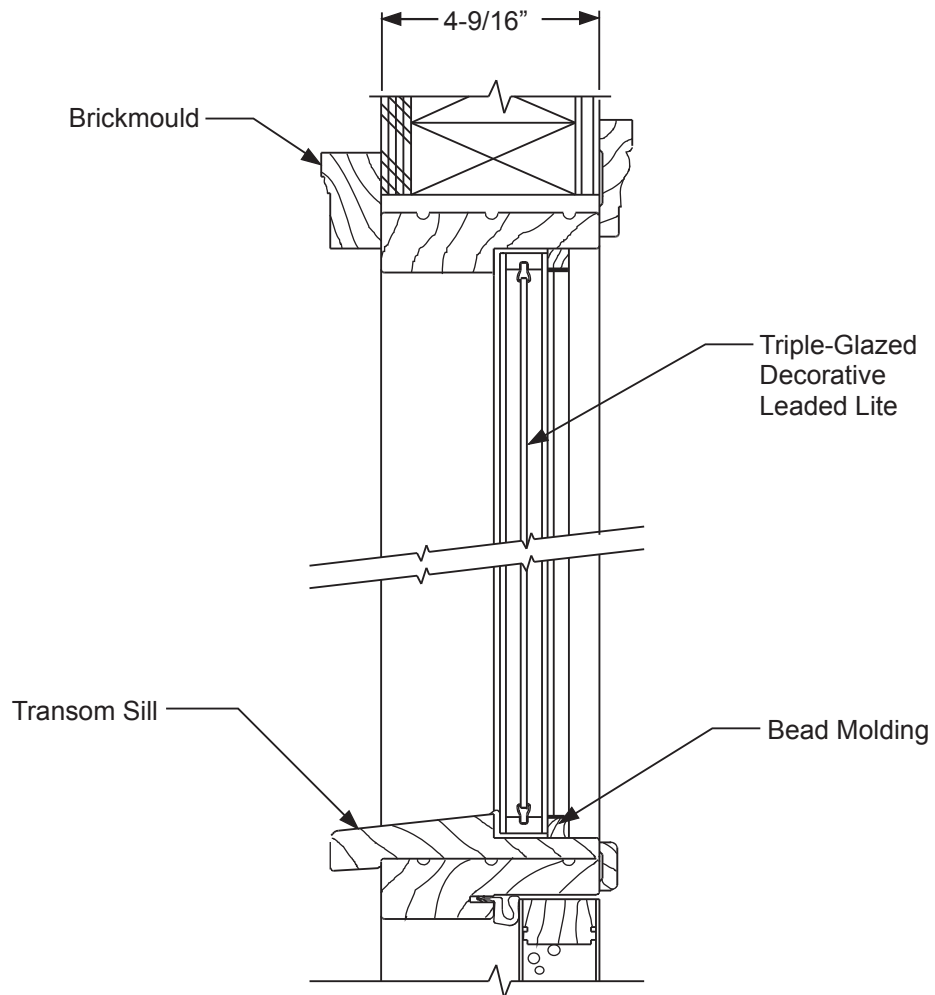
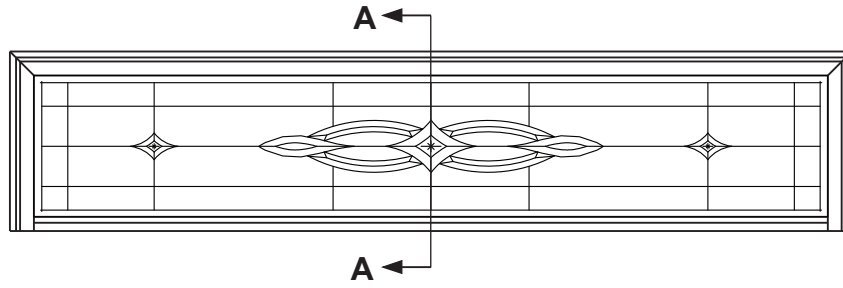
SECTION A-A



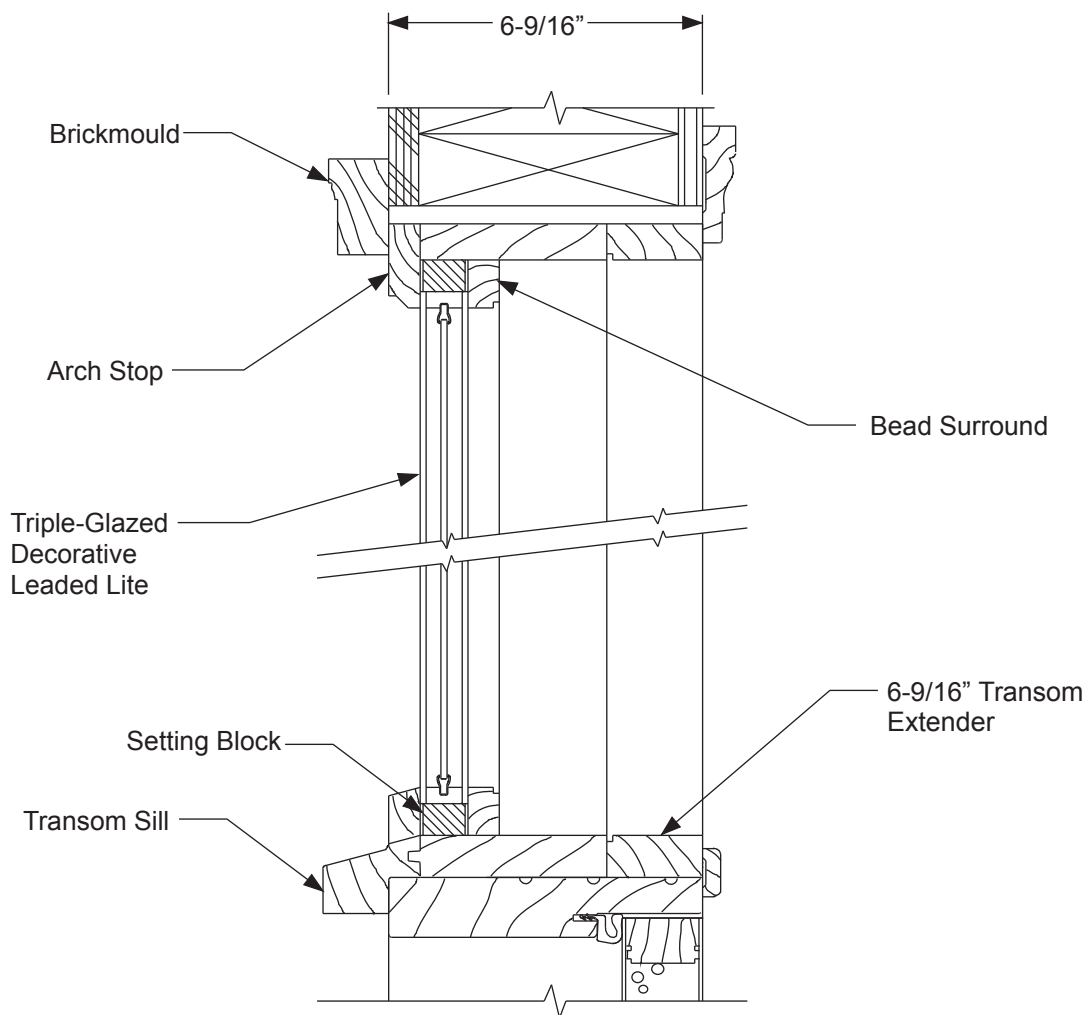
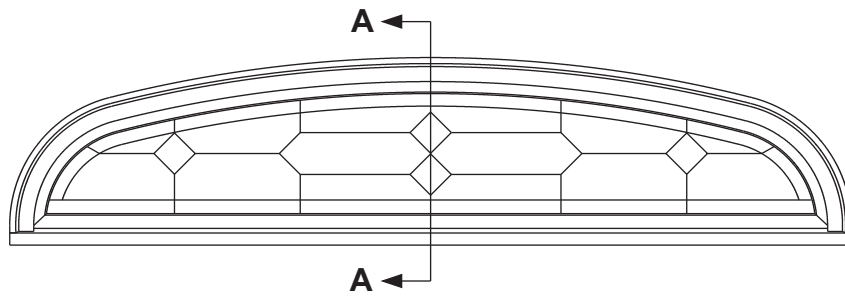
SECTION B-B

Rectangular Transom

Architectural
Details



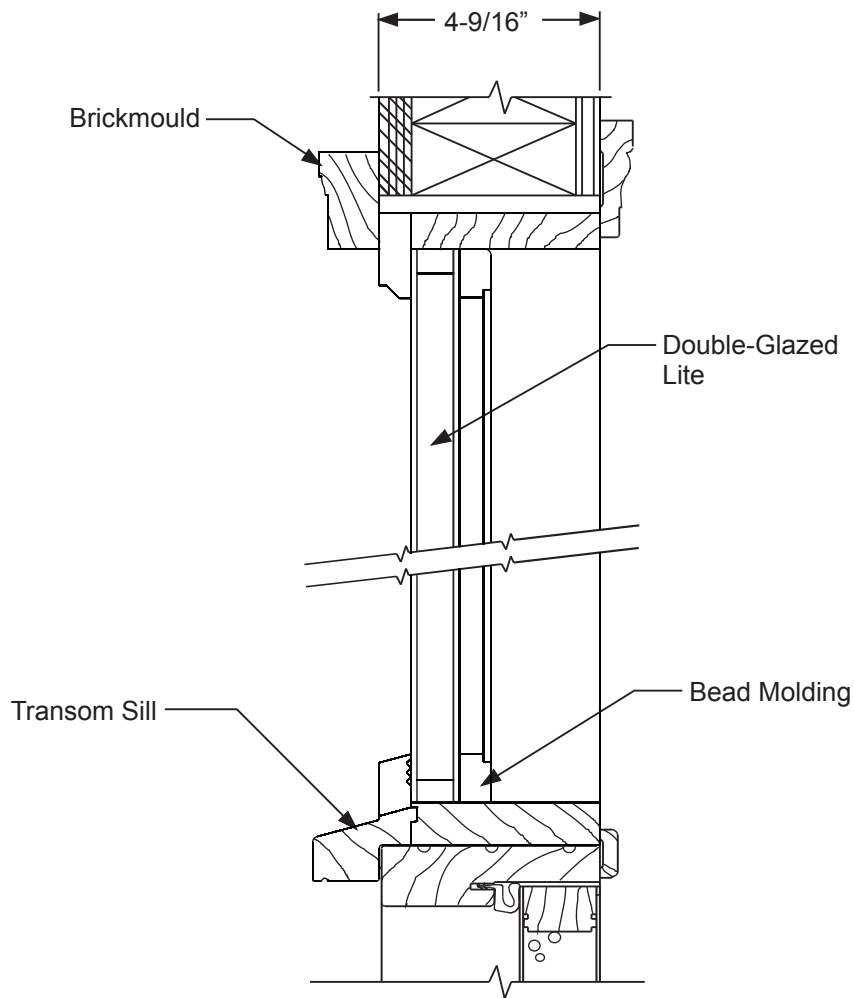
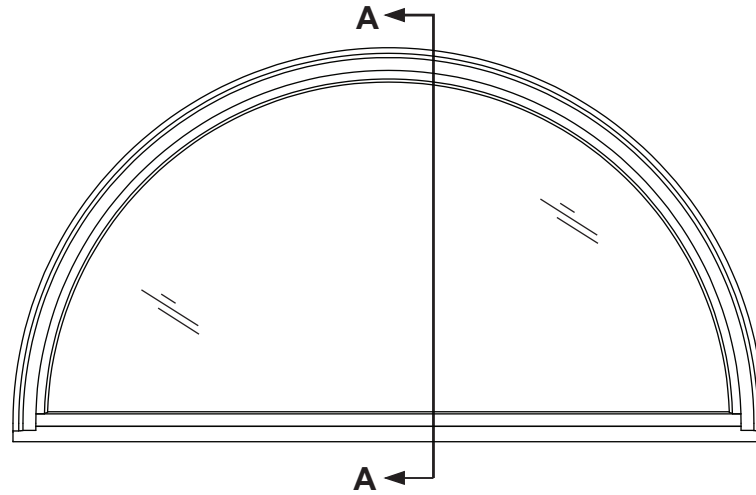
SECTION A-A



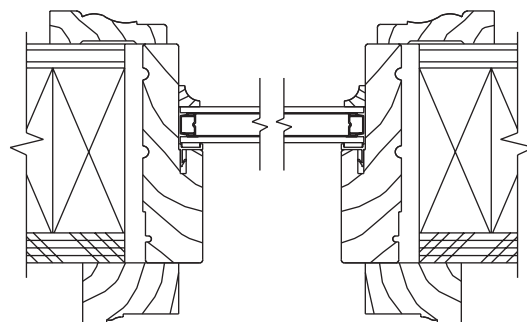
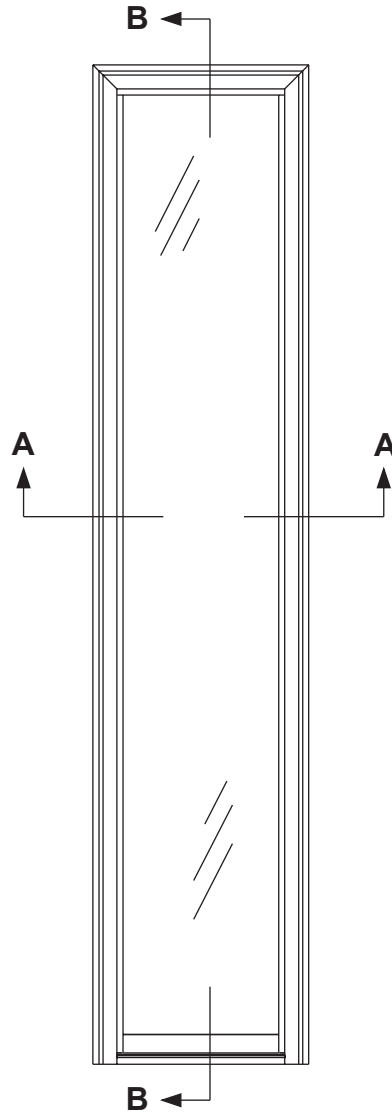
SECTION A-A

Half Round Transom

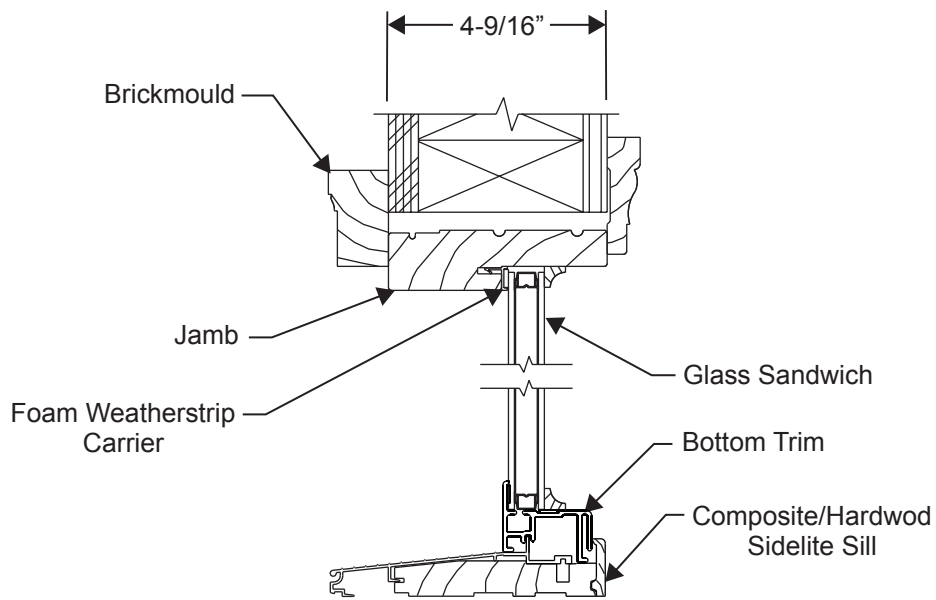
Architectural
Details



SECTION A-A



SECTION A-A



SECTION B-B