

# THERMA TRU®

## THERMA TRU DOORS

118 INDUSTRIAL DR., EDGERTON, OH 43517  
 TEL. (419)298-1740 FAX (419)

### FIBERGLASS SIDE HINGE INSWING PATIO DOOR "NON-IMPACT"

#### GENERAL NOTES

1. THIS PRODUCT ANCHORING DRAWING HAS BEEN DEVELOPED IN COMPLIANCE WITH THE 2004 FLORIDA BUILDING CODE EXCLUDING THE "HIGH VELOCITY HURRICANE ZONE".
2. PRODUCT ANCHORS SHALL BE AS LISTED AND SPACED AS SHOWN ON DETAILS. ANCHOR EMBEDMENT TO BASE MATERIAL SHALL BE BEYOND WALL DRESSING OR STUCCO.
3. WHERE SHIMS ARE USED, THEY MUST BE A "RIGID / STIFF" MATERIAL THAT COMPLIES WITH THE REQUIREMENTS OF THE FLORIDA BUILDING CODES.
4. CONDITIONS NOT COVERED BY THIS DRAWING ARE SUBJECT TO FURTHER ENGINEERING ANALYSIS.

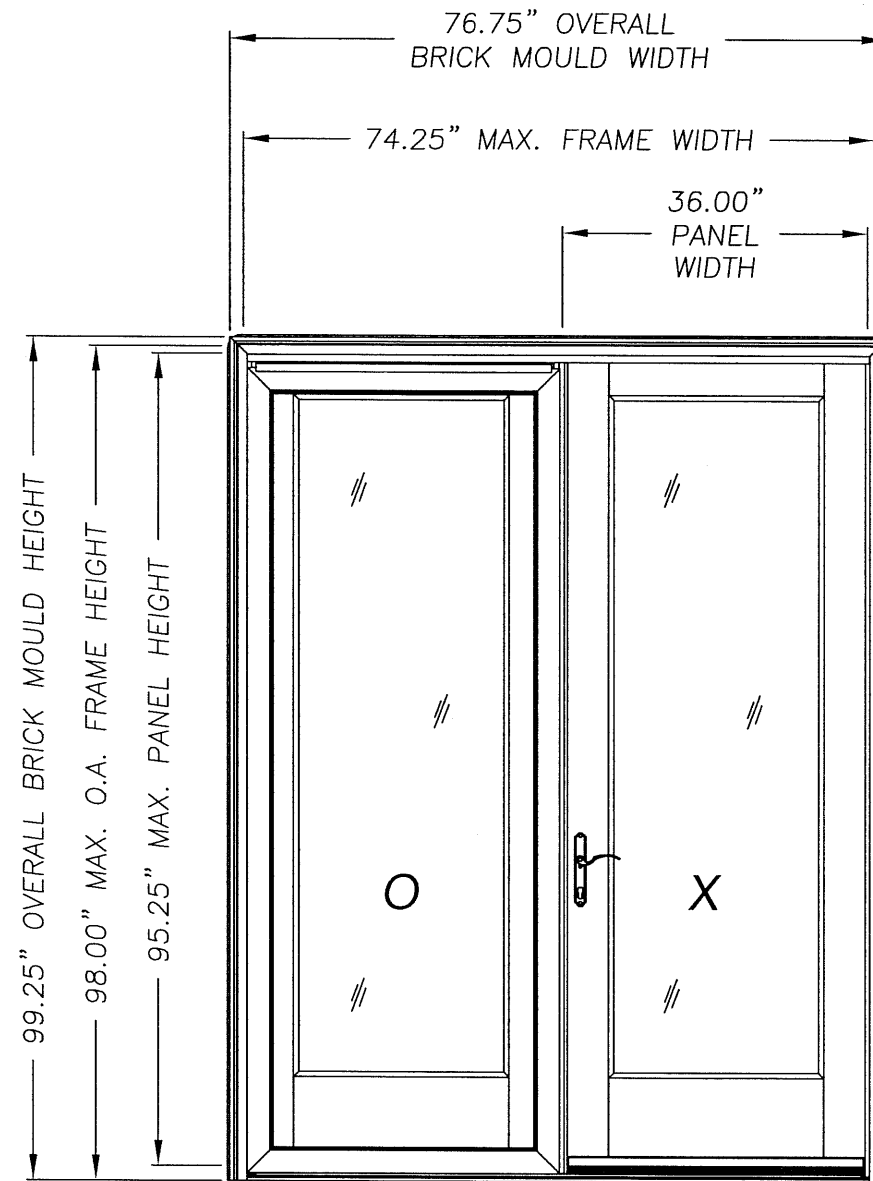


TABLE OF CONTENTS	
SHEET #	DESCRIPTION
1	TYPICAL ELEVATION, DESIGN PRESSURES & GENERAL NOTES
2	VERTICAL & HOZONTAL CROSS SECTIONS & B.O.M.
3	BUCK AND FRAME ANCHORING

SWING	OVERALL FRAME DIMENSION	DESIGN PRESSURE (PSF)	
		POSITIVE	NEGATIVE
INSWING	74.25" X 98.00"	+ 45.0	- 45.0

Documents Prepared By:

**RW** BUILDING CONSULTANTS, INC.  
 P.O. Box 230 Vairico FL 33595  
 Phone No.: 813.659.9197  
 Florida Board of Professional Engineers  
 Certificate Of Authorization No. 9813  
*Wendell W. Haney* 11-17-06  
 Wendell W. Haney, P.E. No. 54158

PRODUCT:  
 THERMA-TRU FIBERGLASS  
 SIDE HINGE INSWING  
 PATIO DOOR "NON-IMPACT"

PART OR ASSEMBLY:  
 TYPICAL ELEVATION, DESIGN  
 PRESSURES & GENERAL NOTES

NO.	DATE	BY	REVISIONS

DATE: 11/17/06

SCALE: N.T.S.

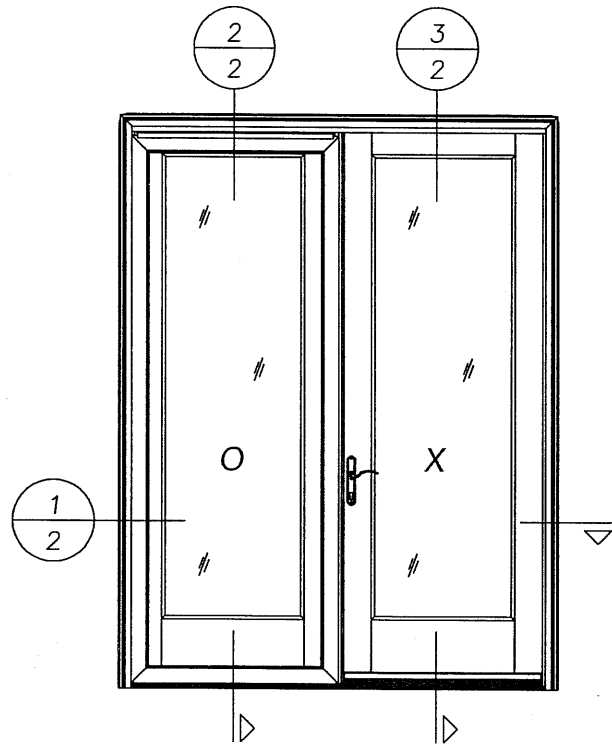
DWG. BY: EW

CHK. BY: WWH

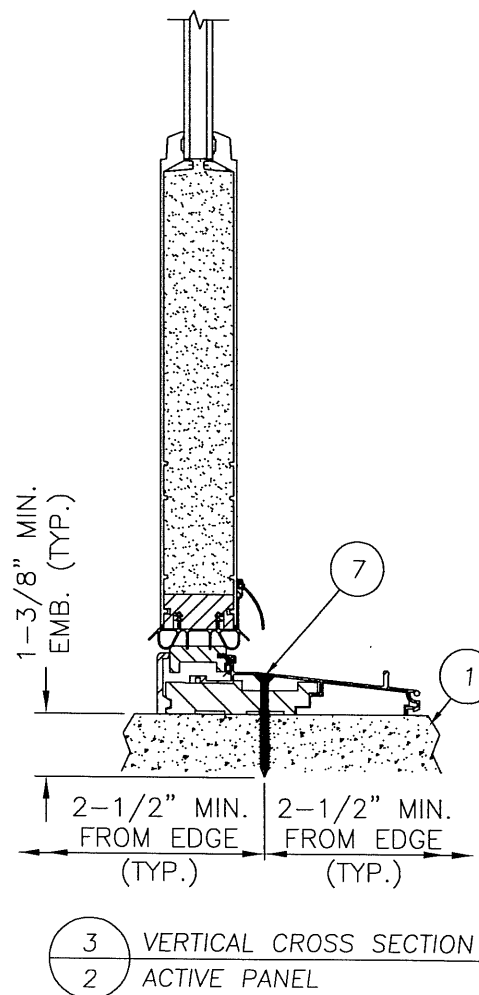
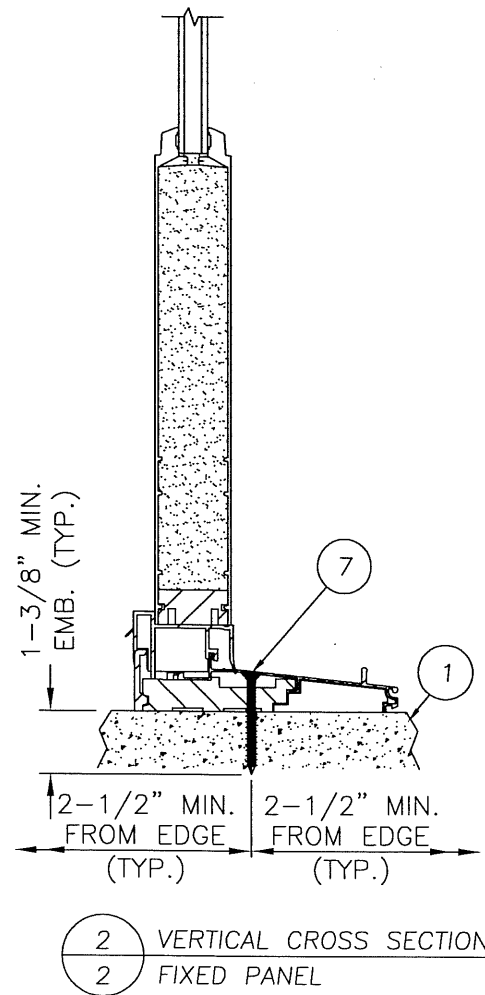
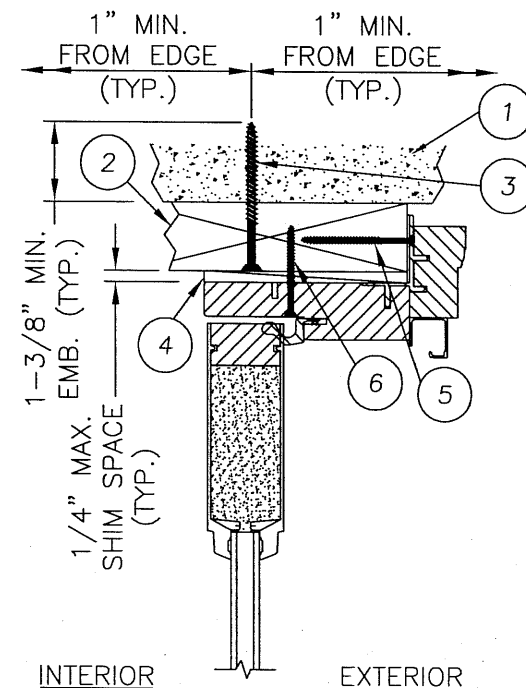
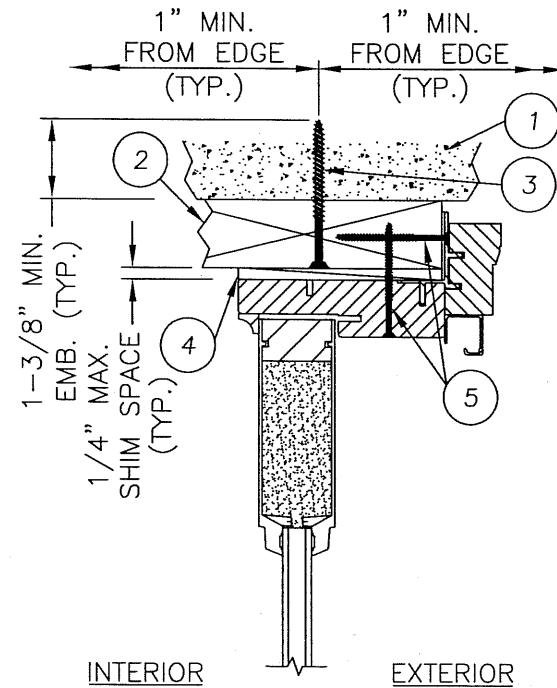
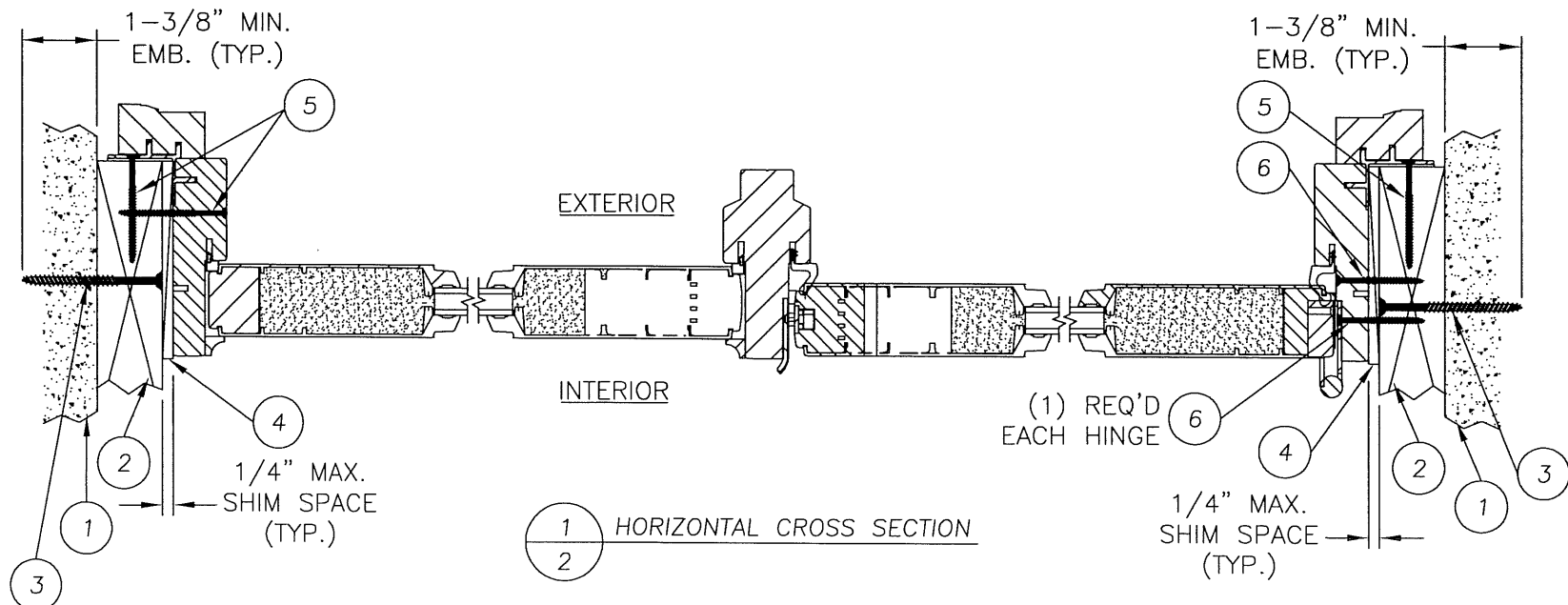
DRAWING NO.:

FL-3071

SHEET 1 OF 3



Item	DESCRIPTION	Material
1	MASONRY	CONCRETE
2	2X BUCK	WOOD
3	1/4" x 3-1/4" ELCO TAPCON OR EQUAL	STEEL
4	MAX. 1/4" SHIM SPACE	WOOD
5	#8 x 2-1/2" PPH WOOD SCREW	STEEL
6	#8 x 2" PPH WOOD SCREW	STEEL
7	1/4" x 2-1/4" TAPCON	STEEL



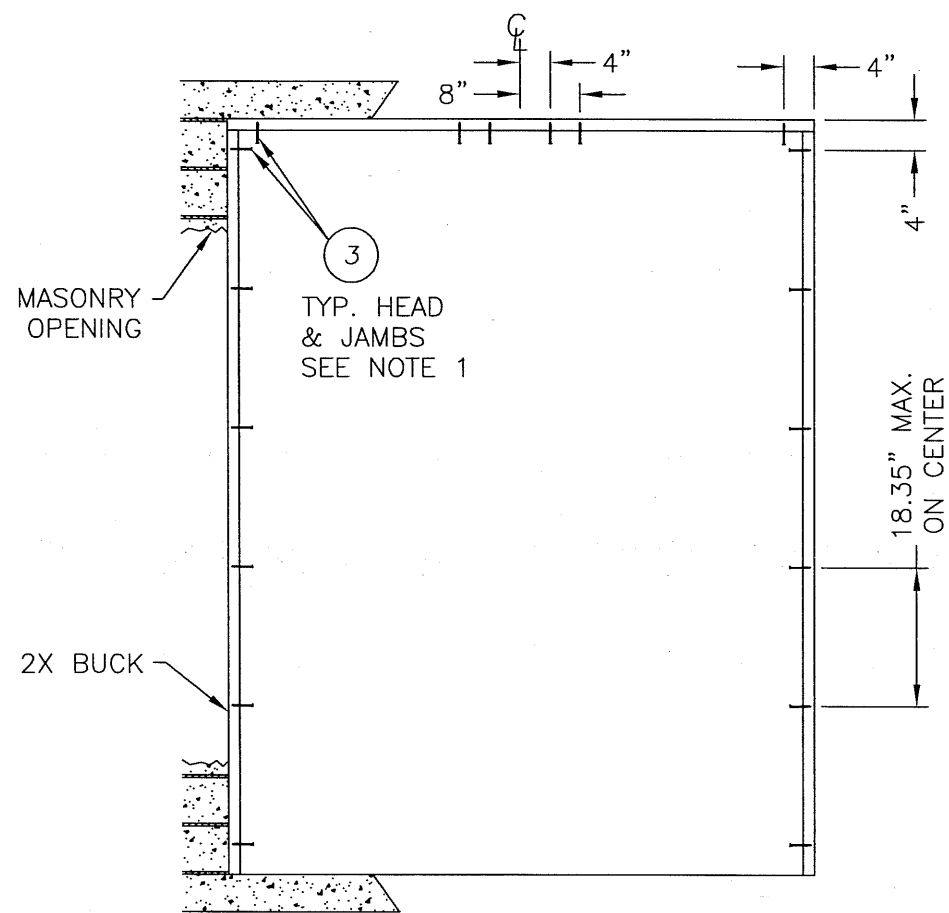
Documents Prepared By:

PRODUCT:  
THERMA-TRU FIBERGLASS  
SIDE HINGE INSWING  
PATIO DOOR "NON-IMPACT"  
PART OR ASSEMBLY:  
ANCHORING SECTIONS  
AND LOCATIONS

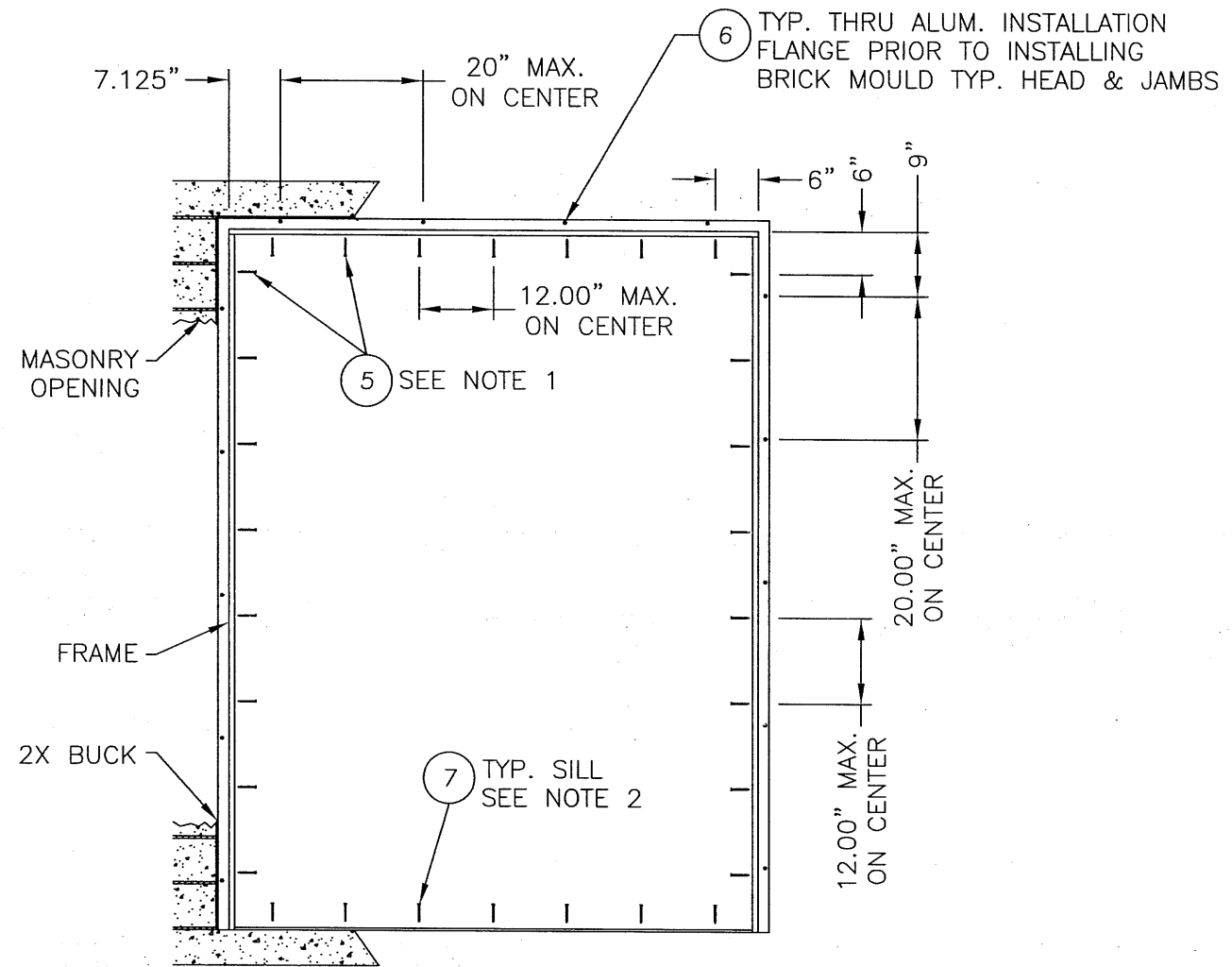
DATE: 11/17/06  
SCALE: N.T.S.  
DWG. BY: EW  
CHK. BY: WWH  
DRAWING NO.: FL-3071  
SHEET 2 OF 3

RW BUILDING CONSULTANTS, INC.  
P.O. Box 230 Valrico FL 33595  
Phone No.: 813.659.9187  
Florida Board of Professional Engineers  
Certificate Of Authorization No. 9813  
Wendell W. Hgney, P.E. No. 54158

© 2006 R.W. BUILDING CONSULTANTS INC.



BUCK ANCHORING



FRAME ANCHORING

NOTES:

1. 1/4" ELCO TAPCON ANCHORING 2X BUCK REQUIRE A MINIMUM 1" CLEARANCE TO MASONRY EDGES AND A MINIMUM 4" CLEARANCE TO ADJACENT TAPCONS. SUBSTITUTION OF EQUAL CONCRETE SCREWS FROM A DIFFERENT SUPPLIER MAY HAVE DIFFERENT EDGE DISTANCE AND CENTER DISTANCE REQUIREMENTS.
2. 1/4" CONCRETE SCREWS ANCHORING FRAME AND/OR SILL REQUIRE A MINIMUM 2-1/2" CLEARANCE TO MASONRY EDGES AND A MINIMUM 3" CLEARANCE TO ADJACENT CONCRETE SCREWS UNLESS OTHERWISE NOTED BY CONCRETE SCREW MANUFACTURER.

Documents Prepared By:

**RW** BUILDING CONSULTANTS, INC.  
 P.O. Box 230 Valrico FL 33595  
 Phone No.: 813.659.9197  
 Florida Board of Professional Engineers  
 Certificate Of Authorization No. 9813  
*Wendell W. Haney* 11-17-06  
 Wendell W. Haney P.E. No. 54158

PRODUCT:  
 THERMA-TRU FIBERGLASS  
 SIDE HINGE INSWING  
 PATIO DOOR "NON-IMPACT"  
 PART OR ASSEMBLY:  
 BUCK & FRAME  
 ANCHORING

NO.	DATE	BY

DATE: 11/17/06  
 SCALE: N.T.S.  
 DWG. BY: EW  
 CHK. BY: WWH  
 DRAWING NO.: FL-3071  
 SHEET 3 OF 3