

NOTES:

1. 3/16" TAPCONS REQUIRE A MINIMUM 2" CLEARANCE TO MASONRY EDGES AND A MINIMUM 2-5/16" CLEARANCE TO ADJACENT TAPCONS.

Documents Prepared By:

**RW** BUILDING CONSULTANTS, INC.  
 P.O. Box 230 Valrico FL, 33595  
 Phone No.: 813.659.9197  
 Florida Board of Professional Engineers  
 Certificate of Authorization No. 9813  
*Wendell W. Haney* 11-18-05  
 Wendell W. Haney, P.E. No. 54158

PRODUCT: 3'0 X 8'0 "SMOOTH STAR" FIBERGLASS SINGLE DOOR INSWING/OUTSWING "IMPACT"

PART OR ASSEMBLY: BUCK & FRAME ANCHORING

NO.	DATE	BY	REVISIONS

DATE: 11/17/05

SCALE: N.T.S.

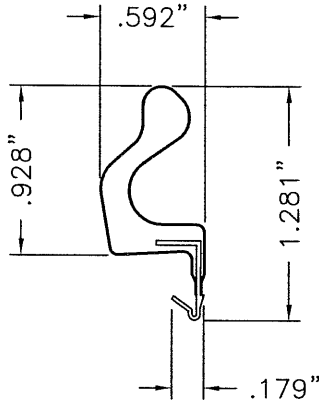
DWG. BY: EW

CHK. BY: WWH

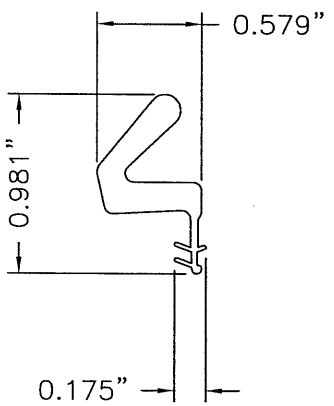
DRAWING NO.:

FL-673

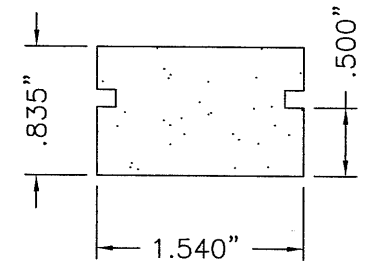
SHEET 3 OF 5



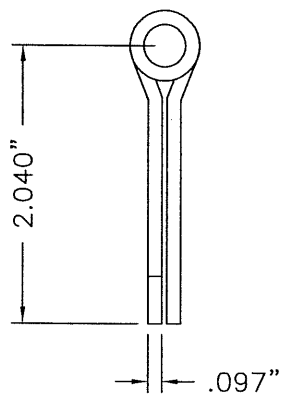
8 LONG REACH COMP. WEATHERSTRIP



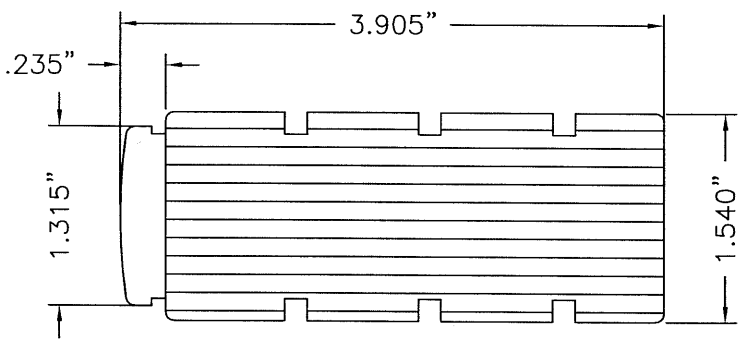
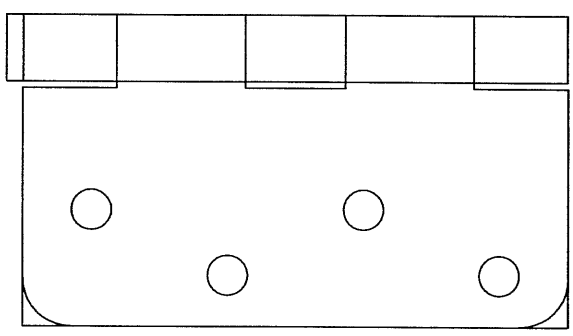
7 SHORT REACH COMP. WEATHERSTRIP



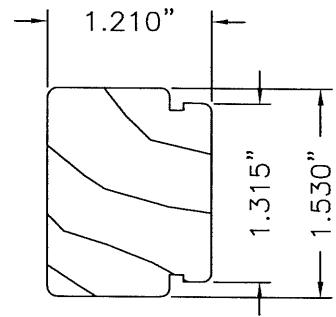
2 TOP RAIL



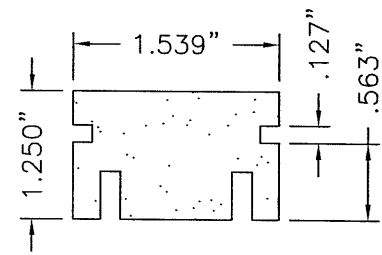
9 4" x 4" STEEL DOOR HINGE



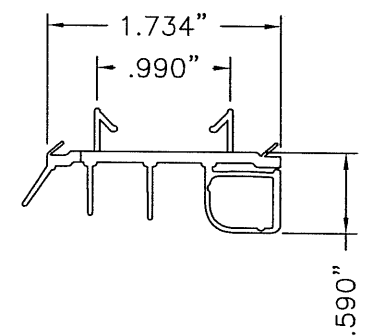
3 LATCH SIDE STILE



4 HINGE SIDE STILE



5 BOTTOM RAIL



22 INSWING DOOR BOTTOM SWEEP

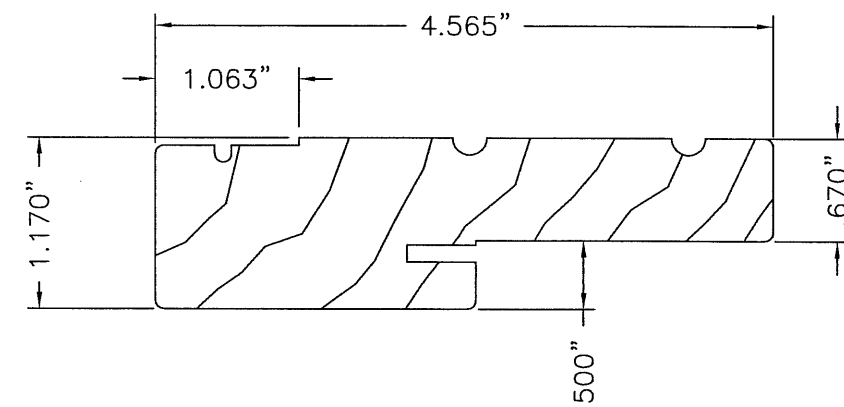
Documents Prepared By:  
**RW** BUILDING CONSULTANTS, INC.  
 P.O. Box 230 Valrico FL 33595  
 Phone No.: 813.659.9197  
 Florida Board of Professional Engineers  
 Certificate of Authorization No. 9813  
*Wendell W. Haney* 11-18-05  
 Wendell W. Haney, P.E. No. 54158

PRODUCT:  
 3'0 X 8'0 "SMOOTH STAR"  
 FIBERGLASS SINGLE DOOR  
 INSWING/OUTSWING "IMPACT"  
 PART OR ASSEMBLY:  
 COMPONENTS

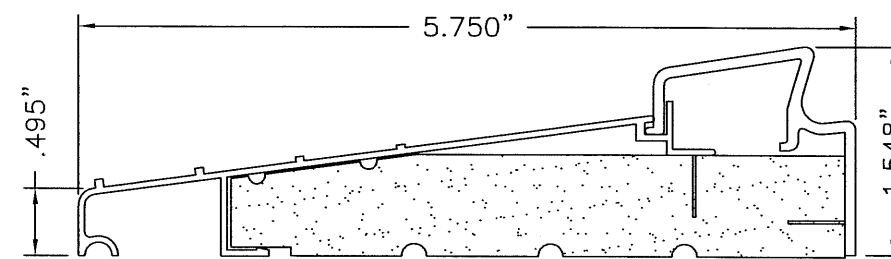
NO.	DATE	BY	REVISIONS

DATE: 11/17/05  
 SCALE: N.T.S.  
 DWG. BY: EW  
 CHK. BY: WWH  
 DRAWING NO.: FL-673  
 SHEET 4 OF 5

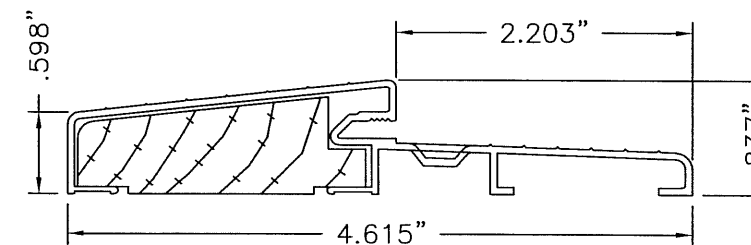
ITEM	DESCRIPTION	MATERIAL
1	FC/SS DOOR SKIN .090" MIN. THK. FIBERGLASS BY THERMA-TRU with yield strength Fy(min.)=2,000 psi	FIBERGLASS
2	S.S. TOP RAIL	WOOD COMPOSITE
3	S.S. LATCH STILE	LVL / OAK
4	S.S. HINGE STILE (FINGER JOINT PINE)	WOOD
5	S.S. BOTTOM RAIL	WOOD COMPOSITE
6	POLYURETHANE FOAM (BASF, 1.9lbs. DENSITY)	FOAM
7	SHORT REACH COMPRESSION WEATHERSTRIP (THERMA-TRU) FOAM CELL W/VINYL JACKET	FOAM
8	LONG REACH COMPRESSION WEATHERSTRIP (THERMA-TRU) FOAM CELL W/VINYL JACKET	FOAM
9	4" x 4" HINGE .097" THK. (THERMA-TRU)	STEEL
10	#10 x 3/4" PFH WS	STEEL
11	#10 x 2" PFH WS	STEEL
12	#8 x 2 1/2" PFH WS	STEEL
13	NOT USED	-
14	2x BUCK	WOOD
15	MAX. 1/4" SHIM	WOOD
16	KWIKSET TITAN 700 SERIES PASSAGE LOCK	-
17	SELF ADJUSTING INSWING SADDLE THRESHOLD (.45" WALL AL. - .080" WALL VINYL)	ALUM./WOOD/VINYL
18	HEADER (THERMA-TRU, FINGER JOINT PONDEROSA PINE)	WOOD
19	STRIKE JAMB (THERMA-TRU, FINGER JOINT PONDEROSA PINE)	WOOD
20	HINGE JAMB (THERMA-TRU, FINGER JOINT PONDEROSA PINE)	WOOD
21	KWIKSET TITAN 700 SERIES DEADBOLT	-
22	INSWING DOOR BOTTOM SWEEP (.080" MAX. - .034" MIN. WALL VINYL)	VINYL
23	NOT USED	-
24	ONE PIECE BUMP FACE THRESHOLD (THERMA-TRU) .050" WALL AL.	ALUM. / WOOD
25	3/16" x 2-3/4" TAPCON	STEEL
26	MASONRY	CONCRETE
27	LATCH STRIKE PLATE	STEEL
28	DEADBOLT STRIKE PLATE	STEEL



18 19 20 HEAD, LATCH & HINGE JAMB



17 SELF ADJUSTING SADDLE THRESHOLD



24 LOW PROFILE OUTSWING BUMP FACE

Documents Prepared By:  
**RW** BUILDING CONSULTANTS, INC.  
P.O. Box 230 Valrico FL, 33595  
Phone No.: 813.659.9197  
Florida Board of Professional Engineers  
Certificate of Authorization No. 9813  
11-18-05  
Wendell W. Honey, P.E. No. 54158

PRODUCT:  
3'0 X 8'0 "SMOOTH STAR"  
FIBERGLASS SINGLE DOOR  
INSWING/OUTSWING "IMPACT"  
PART OR ASSEMBLY:  
BILL OF MATERIALS &  
COMPONENTS

NO.	DATE	BY	REVISIONS

DATE: 11/17/05  
SCALE: N.T.S.  
DWG. BY: EW  
CHK. BY: WWH  
DRAWING NO.: FL-673  
SHEET 5 OF 5