

# THERMA-TRU CORPORATION

118 INDUSTRIAL DRIVE  
EDGERTON, OHIO 43517  
PH. (419) 298-1740

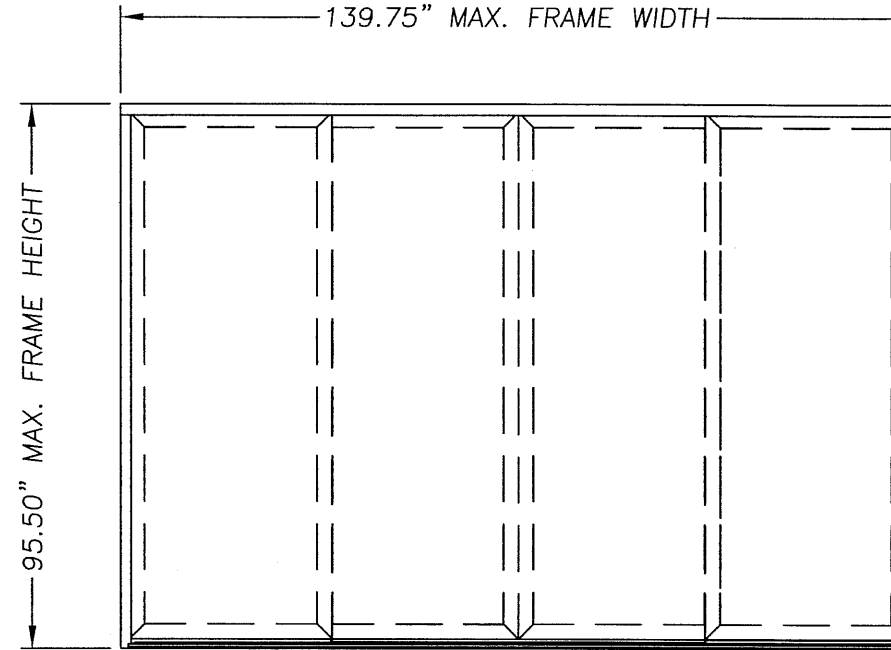
## "SLIDING PATIO DOOR FRAME ANCHORING"

### GENERAL NOTES

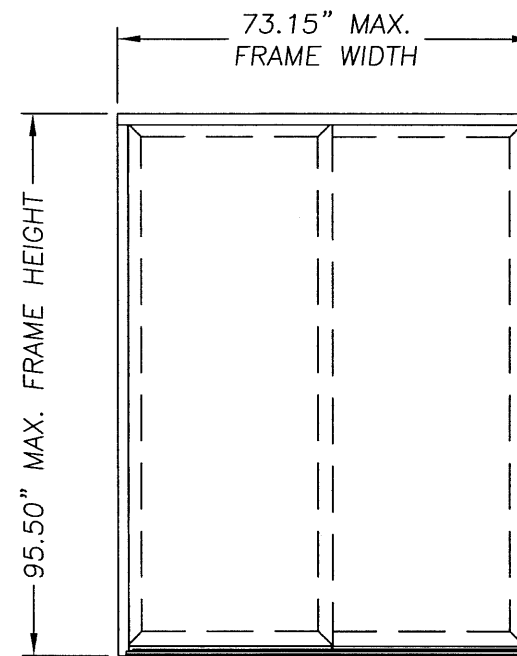
1. THIS PRODUCT HAS BEEN EVALUATED AND IS IN COMPLIANCE WITH THE FLORIDA BUILDING CODE EXCLUDING THE "HIGH VELOCITY HURRICANE ZONE".
2. SEPARATE PRODUCT APPROVALS FOR EACH THERMA-TRU DOOR PRODUCT USED WITH THIS ANCHORING APPROVAL MUST BE SUBMITTED WITH THIS PRODUCT APPROVAL. CONSTRUCTION OF THE ASSEMBLY MUST BE IN ACCORDANCE WITH THE CONSTRUCTION OF THE COMPANION DOOR PRODUCT APPROVAL SUBMITTED.
3. THE DESIGN PRESSURE RATING OF THE TOTAL ASSEMBLY SHALL BE THE LESSER OF THE DP RATING OF THE FRAME ANCHORING SHOWN IN THIS APPROVAL OR THE DP RATING OF THE PRODUCT APPROVAL FOR THE DOOR PRODUCT USED.
4. MAIN MEMBER (BUCK OR STUD) FRAMING IS SPRUCE-PINE-FIR (SG = 0.42) OR BETTER.
5. PRODUCT ANCHORS SHALL BE AS LISTED AND SPACED AS SHOWN ON DETAILS. ANCHOR EMBEDMENT TO BASE MATERIAL SHALL BE BEYOND WALL DRESSING OR STUCCO.
6. THIS FRAME ANCHORING APPROVAL ADDRESSES TRANSFER OF WIND LOADS TO THE MAIN STRUCTURE. THE COMPANION DOOR PRODUCT APPROVAL SUBMITTED MUST BE APPROVED IN THE SAME OR SMALLER SIZE, SAME CONFIGURATION AND FRAME MATERIAL.
7. CONDITIONS NOT COVERED BY THIS DRAWING ARE SUBJECT TO FURTHER ENGINEERING ANALYSIS.

USABLE CONFIGURATIONS: X0, 0X, 00X, X00, 0X0, 0XX0

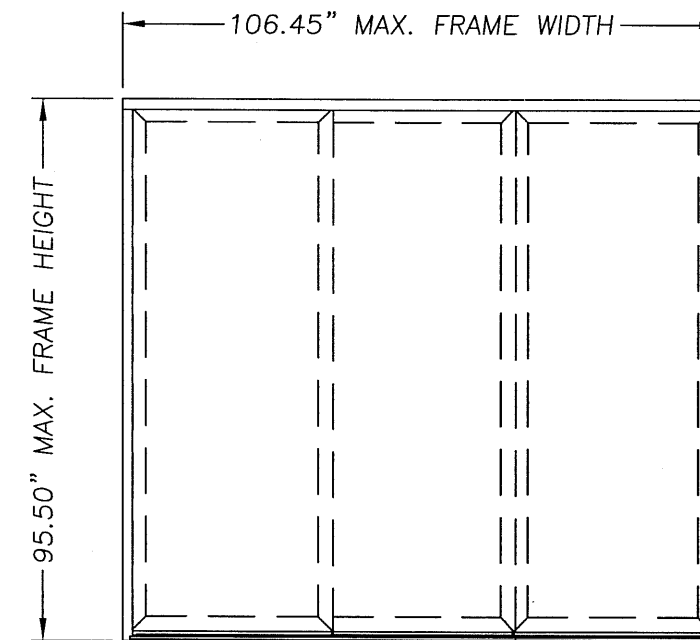
TABLE OF CONTENTS	
SHEET #	DESCRIPTION
1	TYPICAL ELEVATION, DESIGN PRESSURES & GENERAL NOTES
2	ANCHOR CROSS SECTION MASONRY IN/OUTSWING WOOD FRAME
3	ANCHOR CROSS SECTION WOOD/STL. STUD IN/OUTSWING WOOD FRAME



FOUR PANEL



TWO PANEL



THREE PANEL

UNIT TYPE	MAXIMUM OVERALL NOMINAL SIZE	DESIGN PRESSURE	
		POSITIVE	NEGATIVE
FOUR PANEL	139.75" x 95.50"	+55.0 PSF	-55.0 PSF
THREE PANEL	106.45" x 95.50"	+55.0 PSF	-55.0 PSF
TWO PANEL	73.15" x 95.50"	+55.0 PSF	-55.0 PSF

Documents Prepared By:

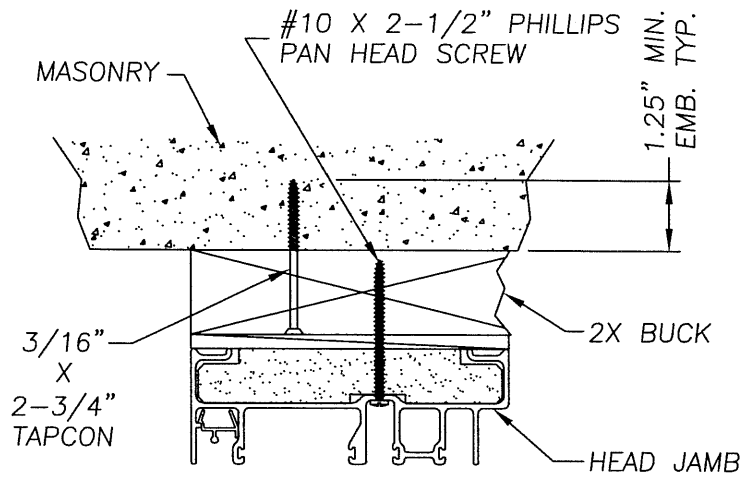
**RW** BUILDING CONSULTANTS, INC.  
P.O. Box 230 Valrico FL 33595  
Phone No.: 813.659.9197  
Florida Board of Professional Engineers  
Certificate Of Authorization No. 9813  
Wendell W. Gray, P.E. No. 54158  
9/23/05

PRODUCT: THERMA-TRU SLIM-LINE PATIO DOOR SYSTEM ANCHORING  
PART OR ASSEMBLY:

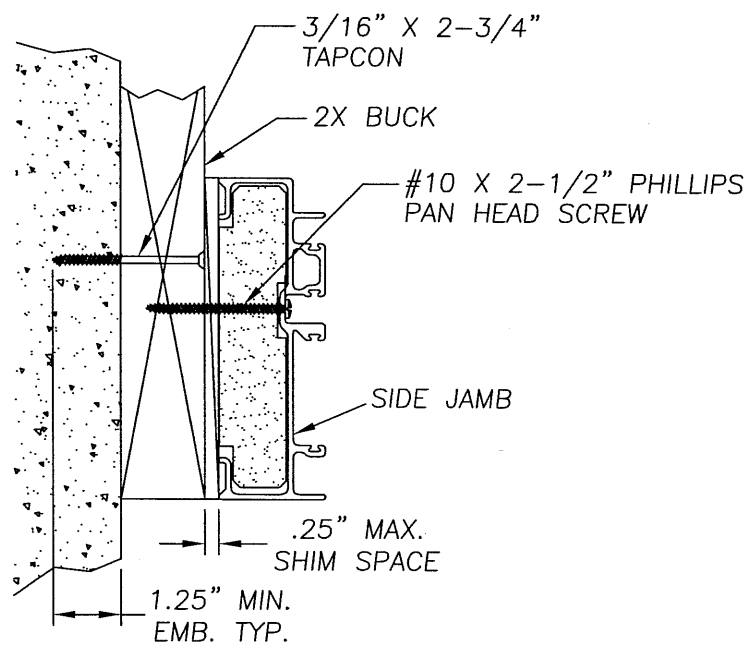
TYPICAL ELEVATION, DESIGN PRESSURES & GENERAL NOTES

NO.	DATE	BY	REVISIONS

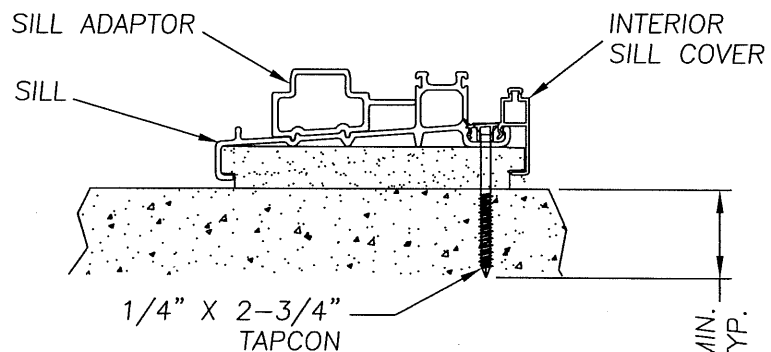
DATE: 09/22/05  
SCALE: N.T.S.  
DWG. BY: AEM  
CHK. BY: WWH  
DRAWING NO.: FL-632  
SHEET 1 OF 3



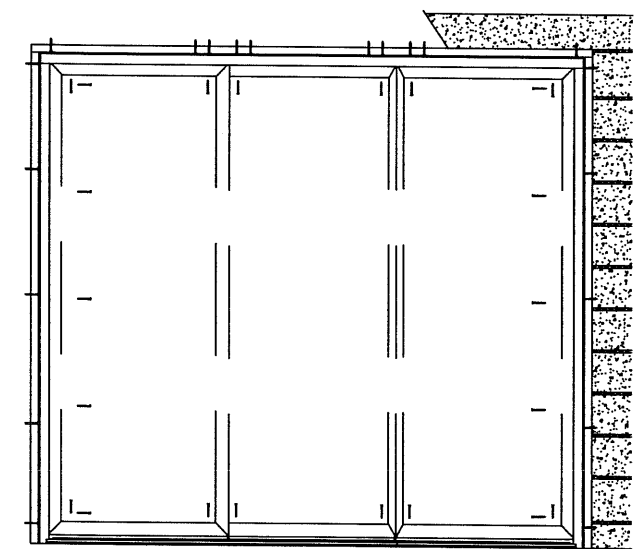
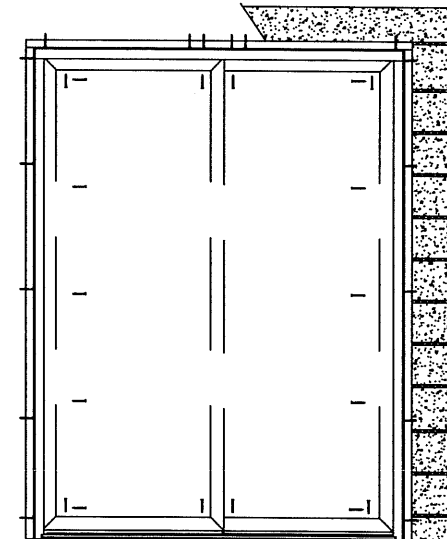
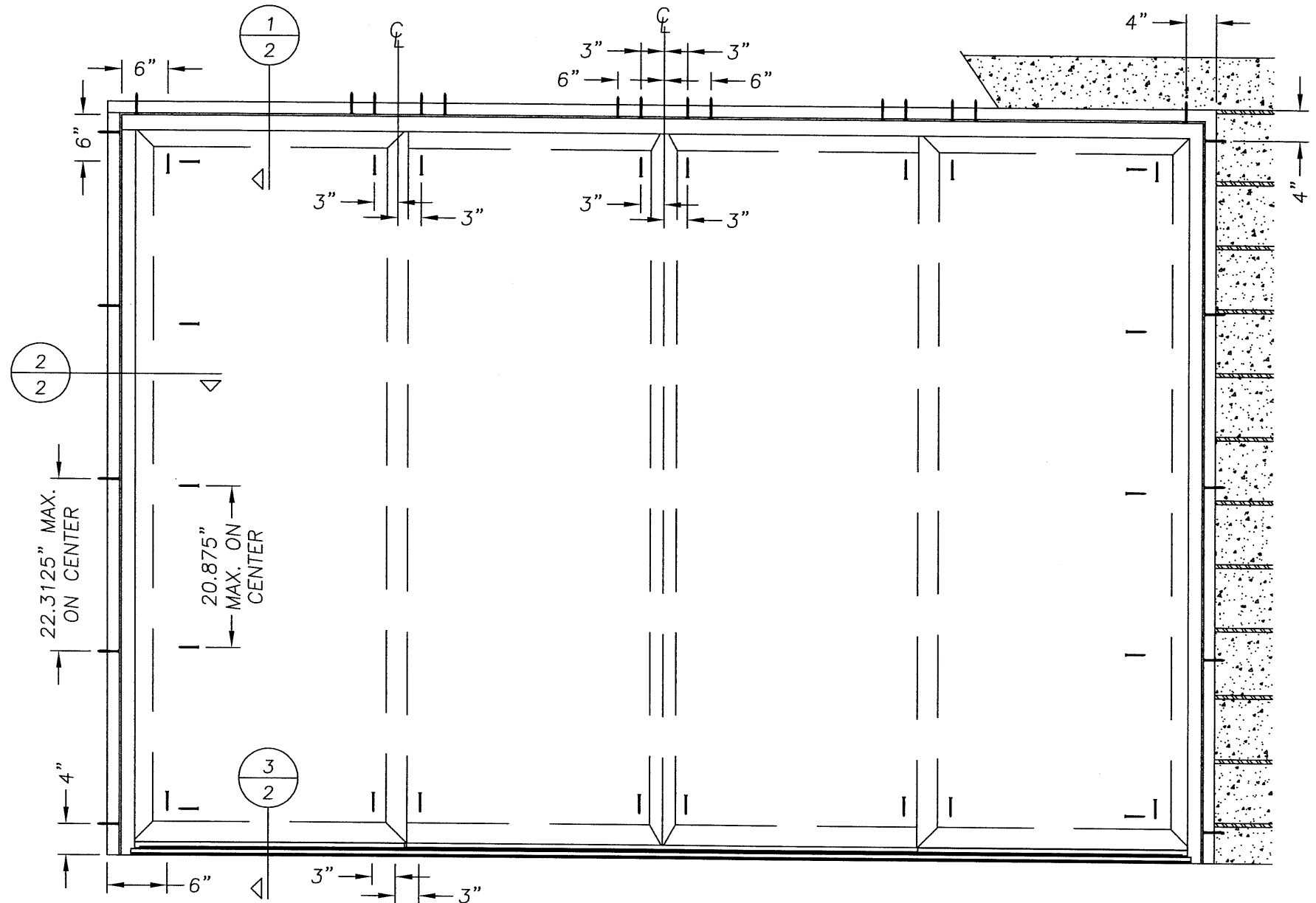
1 HORIZONTAL CROSS SECTION  
2 ACTIVE / FIXED PANEL



2 VERTICAL CROSS SECTION  
2 ACTIVE / FIXED PANEL



3 HORIZONTAL CROSS SECTION  
2 ACTIVE / FIXED PANEL



Documents Prepared By:

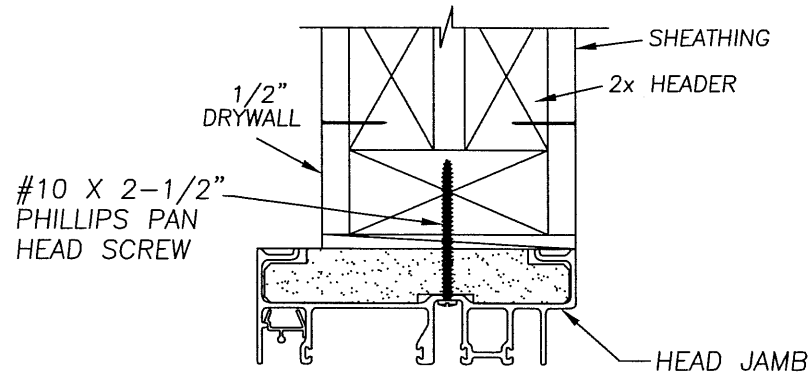
**RW** BUILDING CONSULTANTS, INC.  
P.O. Box 230 Valrico FL, 33595  
Phone No.: 813.659.9197  
Florida Board of Professional Engineers  
Certificate Of Authorization No. 9813  
Wendell W. Hanley, P.E. No. 54158

PRODUCT:  
THERMA-TRU SLIM-LINE  
PATIO DOOR  
SYSTEM ANCHORING

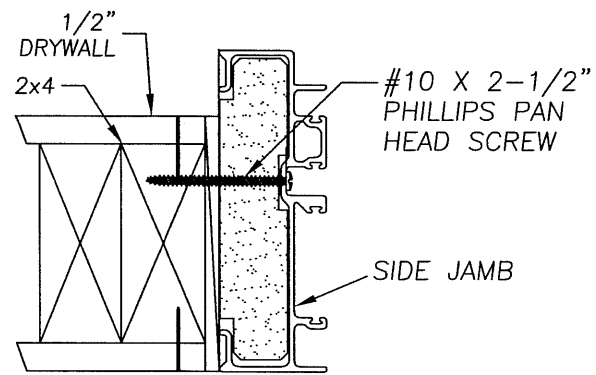
PART OR ASSEMBLY:  
ANCHOR CROSS SECTION  
MASONRY

NO.	DATE	BY	REVISIONS

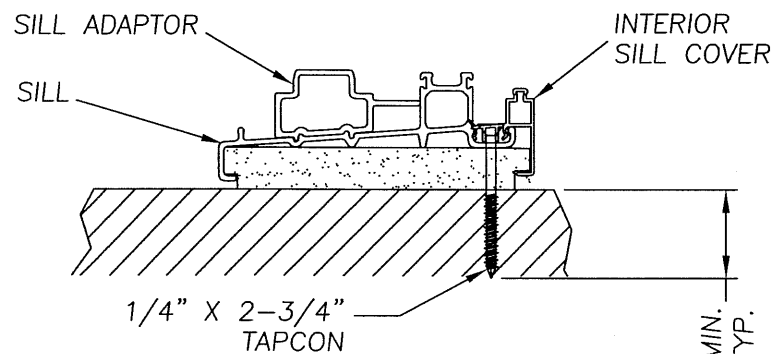
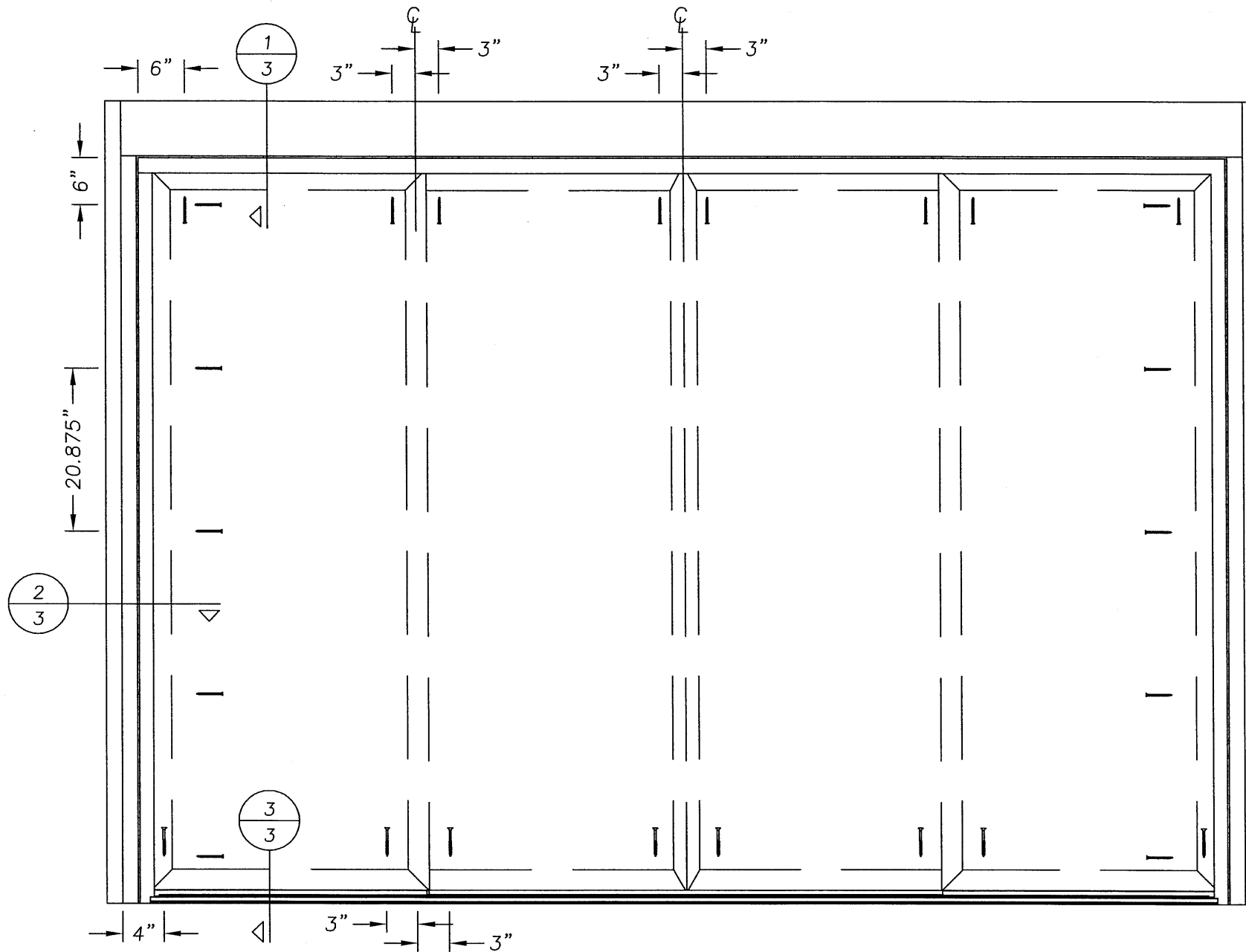
DATE: 09/22/05  
SCALE: N.T.S.  
DWG. BY: AEM  
CHK. BY: WWH  
DRAWING NO.: FL-632  
SHEET 2 OF 3



1 HORIZONTAL CROSS SECTION  
3 ACTIVE / FIXED PANEL

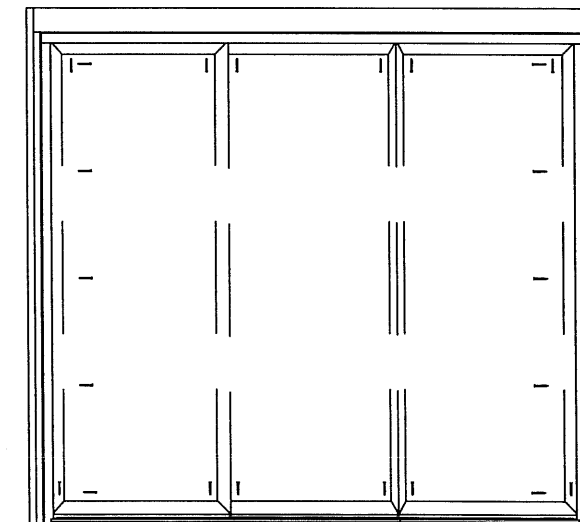
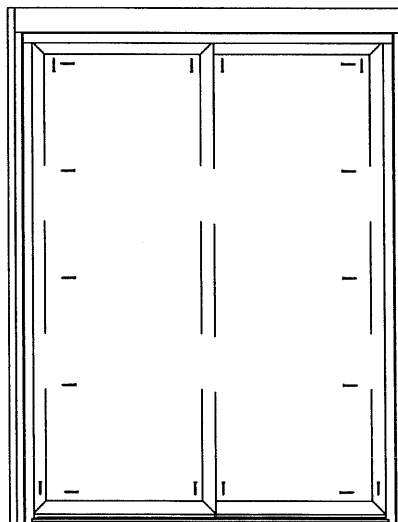


2 VERTICAL CROSS SECTION  
3 ACTIVE / FIXED PANEL



3 HORIZONTAL CROSS SECTION  
3 ACTIVE / FIXED PANEL

1.25\"/>



Documents Prepared By:  
**RW** BUILDING CONSULTANTS, INC.  
 P.O. Box 230 Vairico FL 33595  
 Phone No.: 813.659.9157  
 Florida Board of Professional Engineers  
 Certificate Of Authorization No. 9813  
*Wendell W. Honey* 9/23/05  
 Wendell W. Honey, P.E. No. 54158

PRODUCT:  
 THERMA-TRU SLIM-LINE  
 PATIO DOOR  
 SYSTEM ANCHORING  
 PART OR ASSEMBLY:  
 ANCHOR CROSS SECTION  
 WOOD/STL. STUD

NO.	DATE	BY	REVISIONS

DATE: 09/22/05  
 SCALE: N.T.S.  
 DWG. BY: AEM  
 CHK. BY: WWH  
 DRAWING NO.:  
 FL-632  
 SHEET 3 OF 3

R:\PROJ\_650 - 800\PF800\5265.3 & .4\FL-632-3.DWG