

# THERMA-TRU CORPORATION

118 INDUSTRIAL DRIVE  
EDGERTON, OHIO 43517  
PH. (419) 298-1740

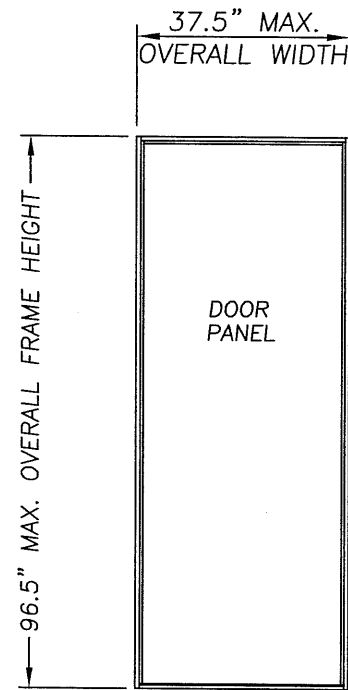
## "WOOD FRAME ANCHORING"

SINGLE, SINGLE W/SIDELITES, DOUBLE & DOUBLE WITH SIDELITES

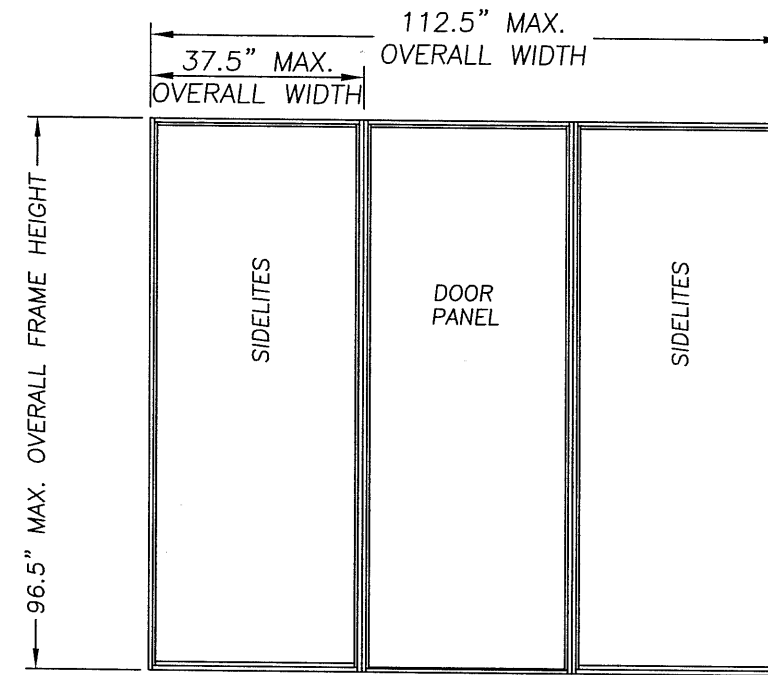
### GENERAL NOTES

1. THIS PRODUCT HAS BEEN EVALUATED AND IS IN COMPLIANCE WITH THE FLORIDA BUILDING CODE EXCLUDING THE "HIGH VELOCITY HURRICANE ZONE".
2. SEPARATE PRODUCT APPROVALS FOR EACH THERMA-TRU DOOR PRODUCT USED WITH THIS ANCHORING APPROVAL MUST BE SUBMITTED WITH THIS PRODUCT APPROVAL. CONSTRUCTION OF THE ASSEMBLY MUST BE IN ACCORDANCE WITH THE CONSTRUCTION OF THE COMPANION DOOR PRODUCT APPROVAL SUBMITTED.
3. THE DESIGN PRESSURE RATING OF THE TOTAL ASSEMBLY SHALL BE THE LESSER OF THE DP RATING OF THE FRAME ANCHORING SHOWN IN THIS APPROVAL OR THE DP RATING OF THE PRODUCT APPROVAL FOR THE DOOR PRODUCT USED.
4. THE FRAME MATERIAL IS SPRUCE-PINE-FIR (SG = 0.42) OR BETTER MEASURING A MIN. 1-1/4" x 4-9/16" WITH A 1/2" FRAME STOP. MAIN MEMBER (BUCK OR STUD) FRAMING IS SPRUCE-PINE-FIR (SG = 0.42) OR BETTER.
5. PRODUCT ANCHORS SHALL BE AS LISTED AND SPACED AS SHOWN ON DETAILS. ANCHOR EMBEDMENT TO BASE MATERIAL SHALL BE BEYOND WALL DRESSING OR STUCCO.
6. THIS FRAME ANCHORING APPROVAL ADDRESSES TRANSFER OF WIND LOADS TO THE MAIN STRUCTURE. THE COMPANION DOOR PRODUCT APPROVAL SUBMITTED MUST BE APPROVED IN THE SAME OR SMALLER SIZE, SAME CONFIGURATION AND FRAME MATERIAL.
7. CONDITIONS NOT COVERED BY THIS DRAWING ARE SUBJECT TO FURTHER ENGINEERING ANALYSIS.

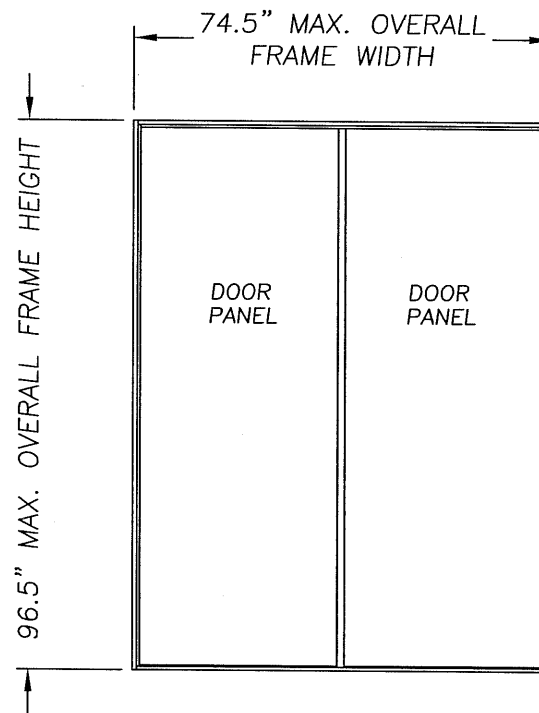
USABLE CONFIGURATIONS: X, OX, XO, OXO, XX, OXXO



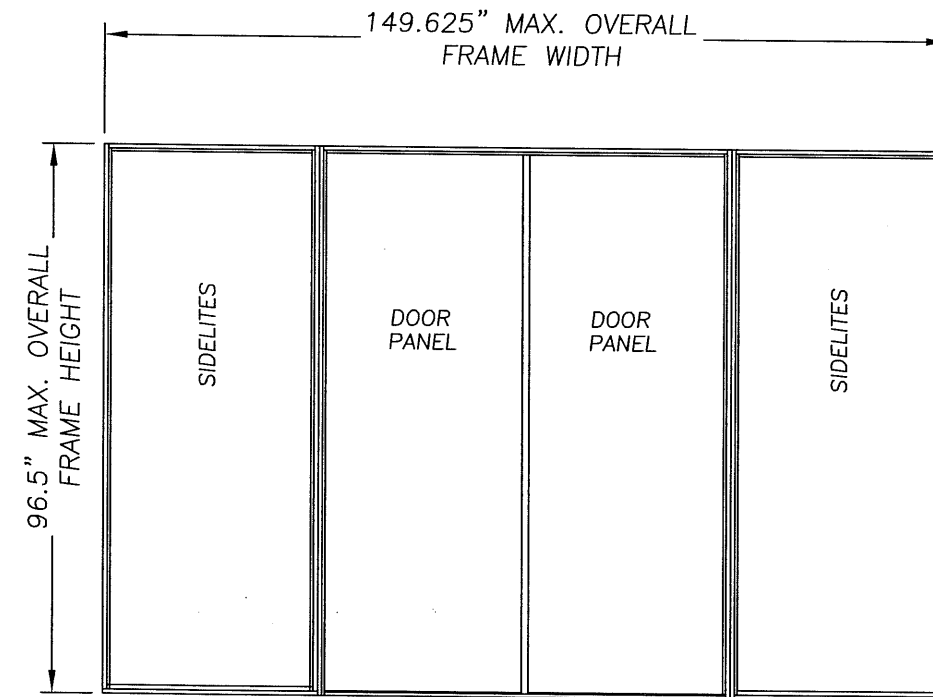
SINGLE



SINGLE W/SIDELITES



DOUBLE



DOUBLE W/SIDELITES

TABLE OF CONTENTS	
SHEET #	DESCRIPTION
1	TYPICAL ELEVATION, DESIGN PRESSURES & GENERAL NOTES
2	ANCHOR CROSS SECTION MASONRY IN/OUTSWING WOOD FRAME
3	ANCHOR CROSS SECTION WOOD/STL. STUD IN/OUTSWING WOOD FRAME

UNIT TYPE	MAXIMUM OVERALL NOMINAL SIZE	DESIGN PRESSURE	
		POSITIVE	NEGATIVE
SINGLE W/O SIDELITES	3'0" x 8'0"	+100.0 PSF	-100.0 PSF
SINGLE WITH SIDELITES	9'0" x 8'0"	+70.0 PSF	-70.0 PSF
DOUBLE W/O SIDELITES	6'0" x 8'0"	+70.0 PSF	-70.0 PSF
DOUBLE WITH SIDELITES	12'0" x 8'0"	+70.0 PSF	-70.0 PSF

Documents Prepared By:

**RW** BUILDING CONSULTANTS, INC.  
P.O. Box 230 Vairico FL 33595  
Phone No.: 813.659.9197  
Florida Board of Professional Engineers  
Certificate Of Authorization No. 9813  
*Wendell W. Haney* 9/23/05  
Wendell W. Haney, P.E. No. 54158

PRODUCT: THERMA-TRU INSWING / OUTSWING WOOD FRAME SYSTEM ANCHORING

PART OR ASSEMBLY: TYPICAL ELEVATION, DESIGN PRESSURES & GENERAL NOTES

NO.	DATE	BY	REVISIONS

DATE: 9/21/05

SCALE: N.T.S.

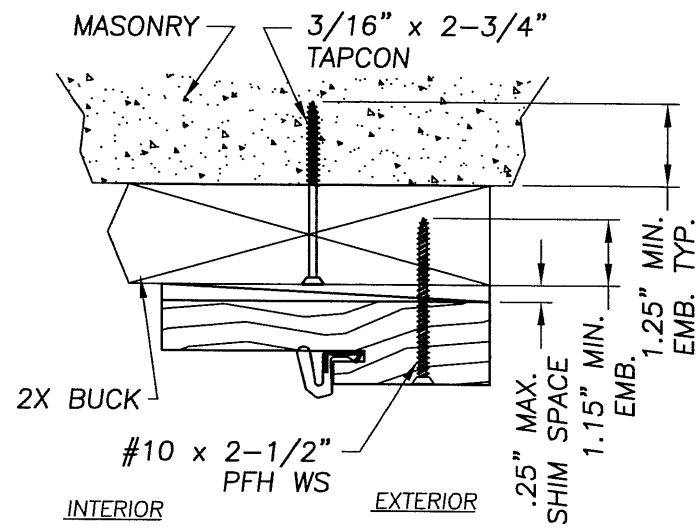
DWG. BY: EW

CHK. BY: WWH

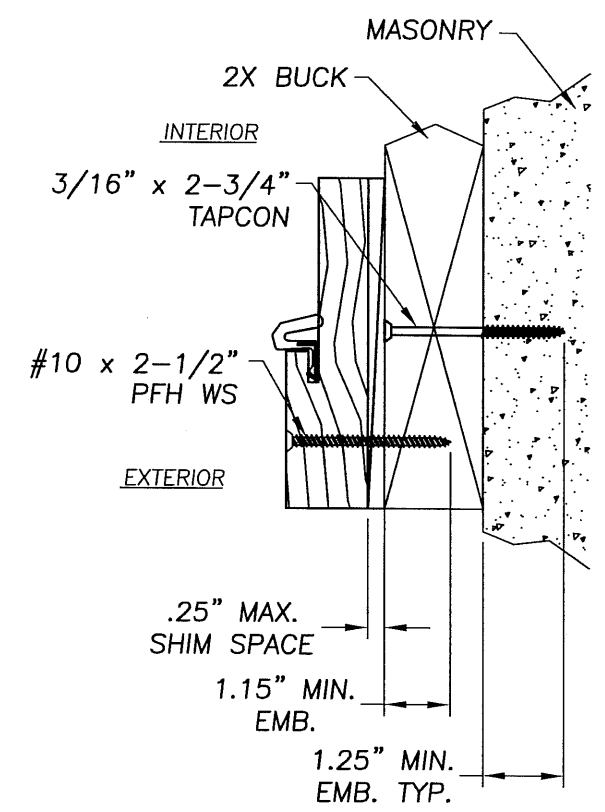
DRAWING NO.:

FL-618

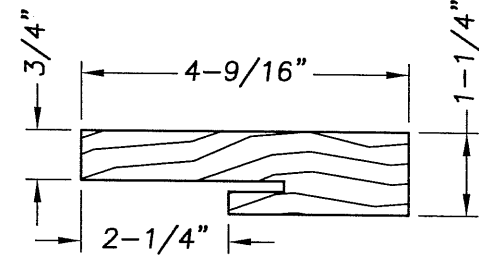
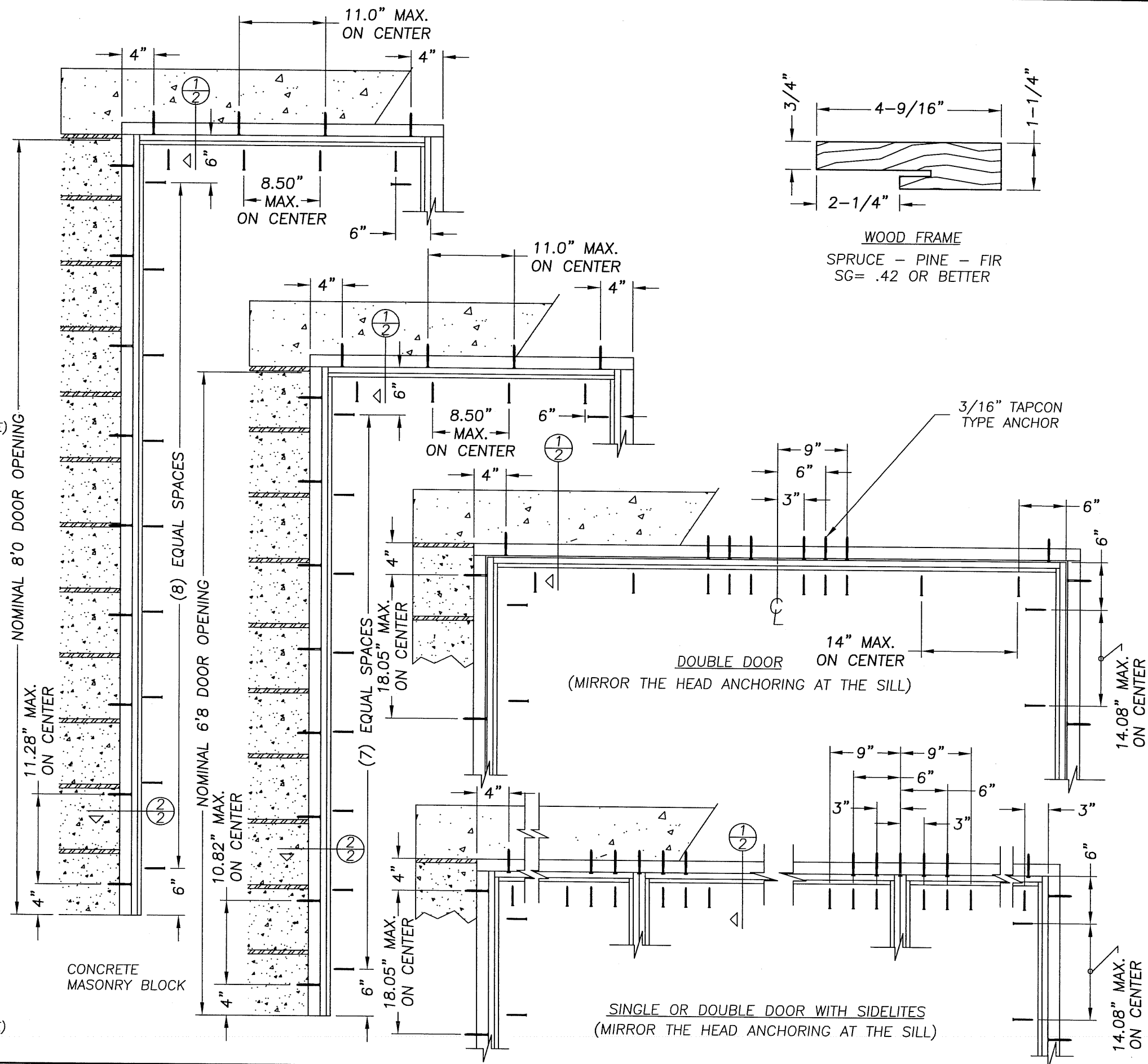
SHEET 1 OF 3



① HEAD JAMB  
 TO 2X SUB-BUCK  
 INSWING SHOWN  
 (OUTSWING REVERSED WITH BUCK FLUSH ON EXTERIOR SIDE)



② VERTICAL SIDE JAMB  
 TO 2X SUB-BUCK  
 INSWING SHOWN  
 (OUTSWING REVERSED WITH BUCK FLUSH ON EXTERIOR SIDE)



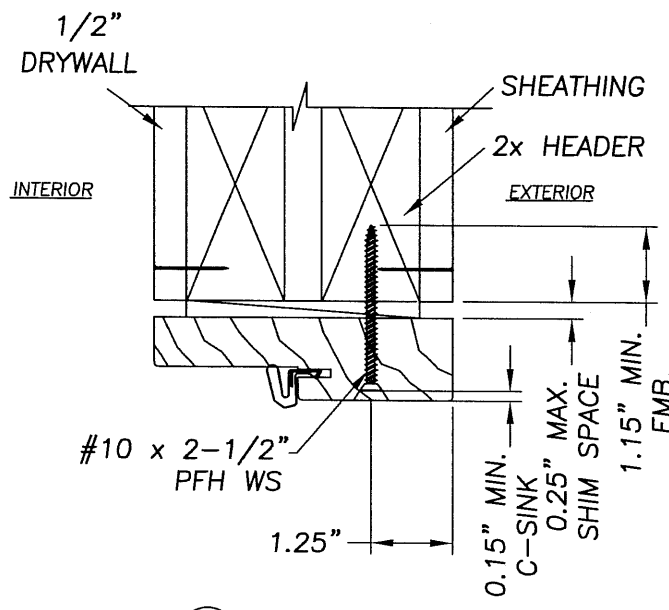
WOOD FRAME  
 SPRUCE - PINE - FIR  
 SG = .42 OR BETTER

Documents Prepared By:  
 RW BUILDING CONSULTANTS, INC.  
 P.O. Box 230 Valrico FL, 33595  
 Phone No.: 813.659.9197  
 Florida Board of Professional Engineers  
 Certificate Of Authorization No. 9813  
 Wendell W. Haney, P.E. No. 54158

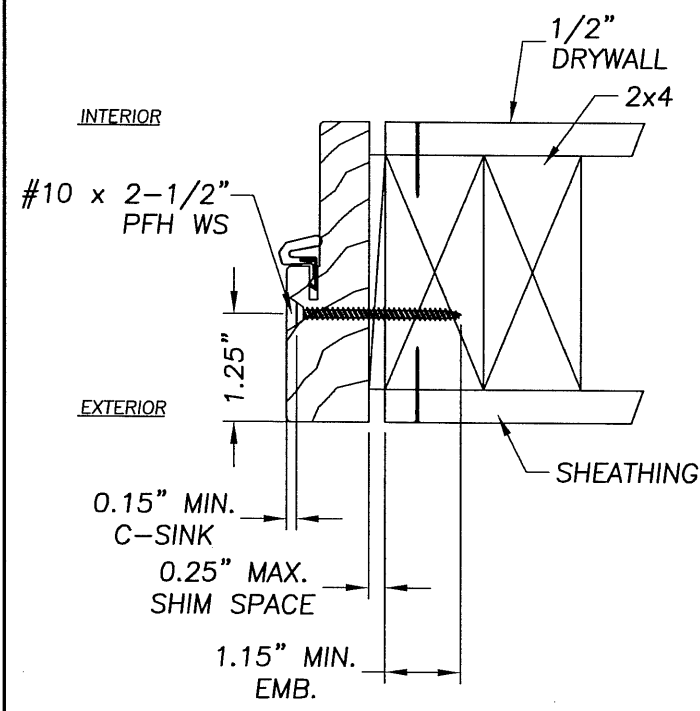
PRODUCT: THERMA-TRU INSWING / OUTSWING WOOD FRAME SYSTEM ANCHORING  
 PART OR ASSEMBLY: ANCHOR CROSS SECTION MASONRY

NO.	DATE	BY

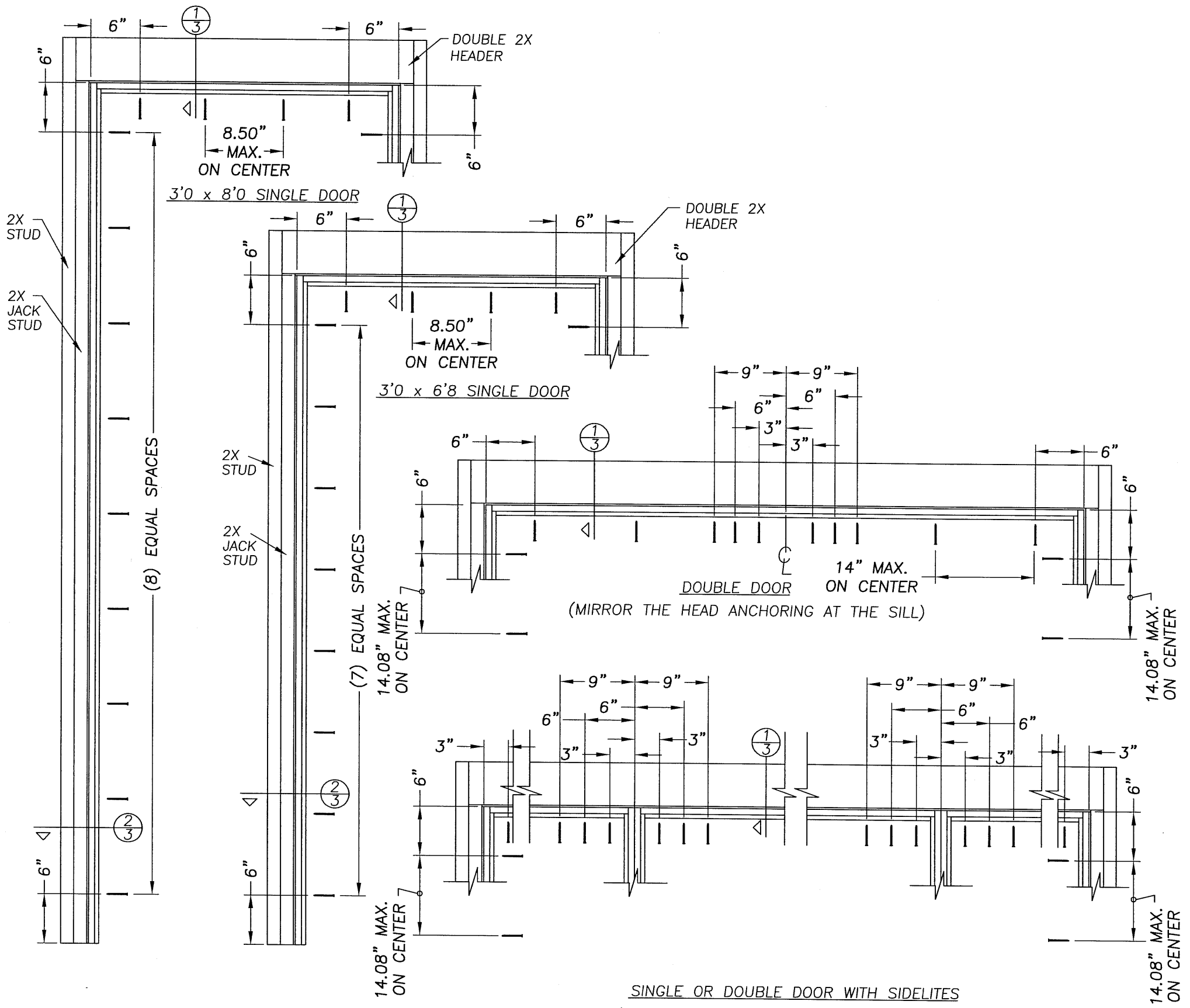
DATE: 9/21/05  
 SCALE: N.T.S.  
 DWG. BY: EW  
 CHK. BY: WWH  
 DRAWING NO.: FL-618  
 SHEET 2 OF 3



① HEAD JAMB TO WOOD FRAME INSWING SHOWN (OUTSWING REVERSED ON EXTERIOR SIDE)



② VERTICAL SIDE JAMB TO WOOD FRAME INSWING SHOWN (OUTSWING REVERSED ON EXTERIOR SIDE)



SINGLE OR DOUBLE DOOR WITH SIDELITES (MIRROR THE HEAD ANCHORING AT THE SILL)

PRODUCT: THERMA-TRU INSWING / OUTSWING WOOD FRAME SYSTEM ANCHORING  
 PART OR ASSEMBLY: ANCHOR CROSS SECTION WOOD / STL

NO.	DATE	BY

DATE: 9/21/05  
 SCALE: N.T.S.  
 DWG. BY: EW  
 CHK. BY: WWH  
 DRAWING NO.: FL-618  
 SHEET 3 OF 3

Documents Prepared By:  
 RW BUILDING CONSULTANTS, INC.  
 P.O. Box 230 Valrico FL 33595  
 Phone No.: 813.659.9197  
 Florida Board of Professional Engineers  
 Certificate Of Authorization No. 9813  
 Wendell W. Haney, P.E. No. 54158