

THERMA-TRU CORPORATION

118 INDUSTRIAL DRIVE
EDGERTON, OHIO 43517
PH. (419) 298-1740

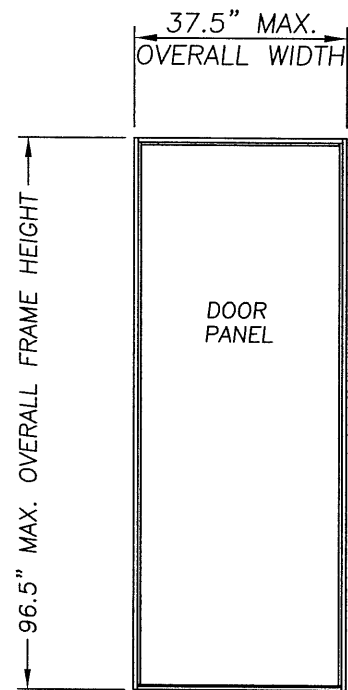
"WOOD FRAME ANCHORING"

SINGLE, SINGLE W/SIDELITES, DOUBLE & DOUBLE WITH SIDELITES

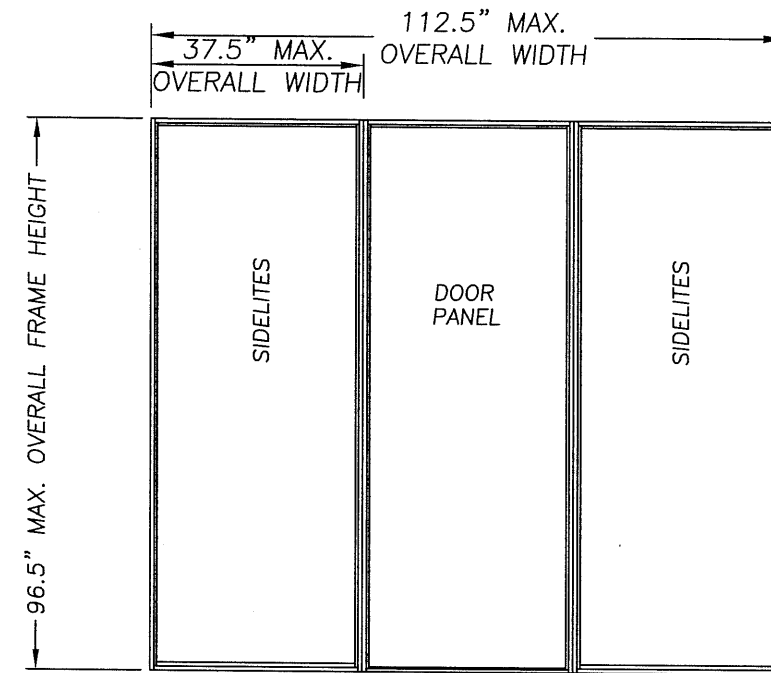
GENERAL NOTES

1. THIS PRODUCT HAS BEEN EVALUATED AND IS IN COMPLIANCE WITH THE FLORIDA BUILDING CODE EXCLUDING THE "HIGH VELOCITY HURRICANE ZONE".
2. SEPARATE PRODUCT APPROVALS FOR EACH THERMA-TRU DOOR PRODUCT USED WITH THIS ANCHORING APPROVAL MUST BE SUBMITTED WITH THIS PRODUCT APPROVAL. CONSTRUCTION OF THE ASSEMBLY MUST BE IN ACCORDANCE WITH THE CONSTRUCTION OF THE COMPANION DOOR PRODUCT APPROVAL SUBMITTED.
3. THE DESIGN PRESSURE RATING OF THE TOTAL ASSEMBLY SHALL BE THE LESSER OF THE DP RATING OF THE FRAME ANCHORING SHOWN IN THIS APPROVAL OR THE DP RATING OF THE PRODUCT APPROVAL FOR THE DOOR PRODUCT USED.
4. THE FRAME MATERIAL IS SPRUCE-PINE-FIR (SG = 0.42) OR BETTER MEASURING A MIN. 1-1/4" x 4-9/16" WITH A 1/2" FRAME STOP. MAIN MEMBER (BUCK OR STUD) FRAMING IS SPRUCE-PINE-FIR (SG = 0.42) OR BETTER.
5. PRODUCT ANCHORS SHALL BE AS LISTED AND SPACED AS SHOWN ON DETAILS. ANCHOR EMBEDMENT TO BASE MATERIAL SHALL BE BEYOND WALL DRESSING OR STUCCO.
6. THIS FRAME ANCHORING APPROVAL ADDRESSES TRANSFER OF WIND LOADS TO THE MAIN STRUCTURE. THE COMPANION DOOR PRODUCT APPROVAL SUBMITTED MUST BE APPROVED IN THE SAME OR SMALLER SIZE, SAME CONFIGURATION AND FRAME MATERIAL.
7. CONDITIONS NOT COVERED BY THIS DRAWING ARE SUBJECT TO FURTHER ENGINEERING ANALYSIS.

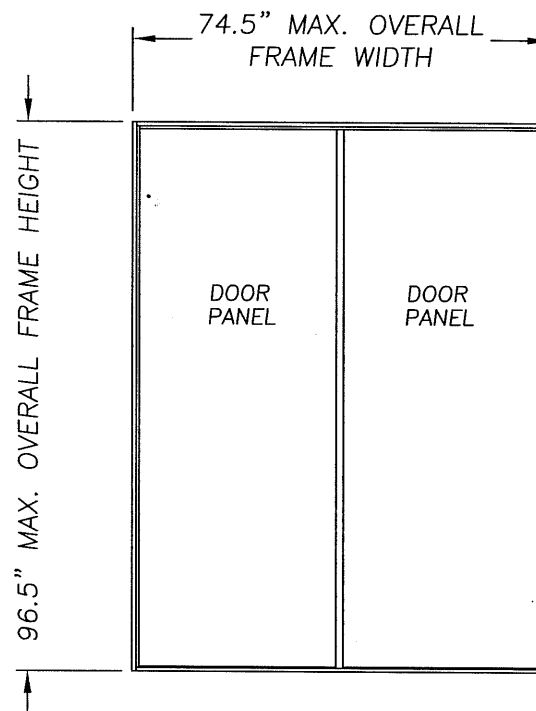
USABLE CONFIGURATIONS: X, OX, XO, OXO, XX, OXXO



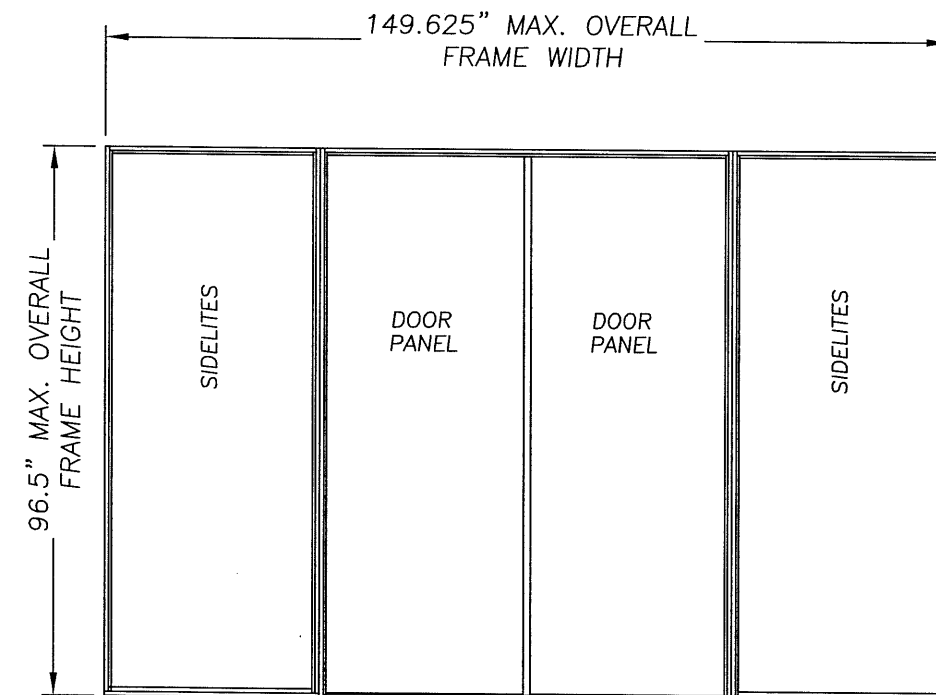
SINGLE



SINGLE W/SIDELITES



DOUBLE



DOUBLE W/SIDELITES

TABLE OF CONTENTS	
SHEET #	DESCRIPTION
1	TYPICAL ELEVATION, DESIGN PRESSURES & GENERAL NOTES
2	ANCHOR CROSS SECTION MASONRY IN/OUTSWING WOOD FRAME
3	ANCHOR CROSS SECTION WOOD/STL. STUD IN/OUTSWING WOOD FRAME

UNIT TYPE	MAXIMUM OVERALL NOMINAL SIZE	DESIGN PRESSURE	
		POSITIVE	NEGATIVE
SINGLE W/O SIDELITES	3'0" x 8'0"	+75.0 PSF	-75.0 PSF
SINGLE WITH SIDELITES	9'0" x 8'0"	+65.0 PSF	-65.0 PSF
DOUBLE W/O SIDELITES	6'0" x 8'0"	+65.0 PSF	-65.0 PSF
DOUBLE WITH SIDELITES	12'0" x 8'0"	+65.0 PSF	-65.0 PSF

Documents Prepared By:

RW BUILDING CONSULTANTS, INC.
P.O. Box 230 Valrico FL 33595
Phone No.: 813.659.9197
Florida Board of Professional Engineers
Certificate Of Authorization No. 9813
Wendell W. Hatley 9/23/05
Wendell W. Hatley, P.E. No. 54158

PRODUCT:
THERMA-TRU INSWING / OUTSWING
WOOD FRAME
SYSTEM ANCHORING

PART OR ASSEMBLY:
TYPICAL ELEVATION, DESIGN
PRESSURES & GENERAL NOTES

NO.	DATE	BY	REVISIONS

DATE: 8/03/05

SCALE: N.T.S.

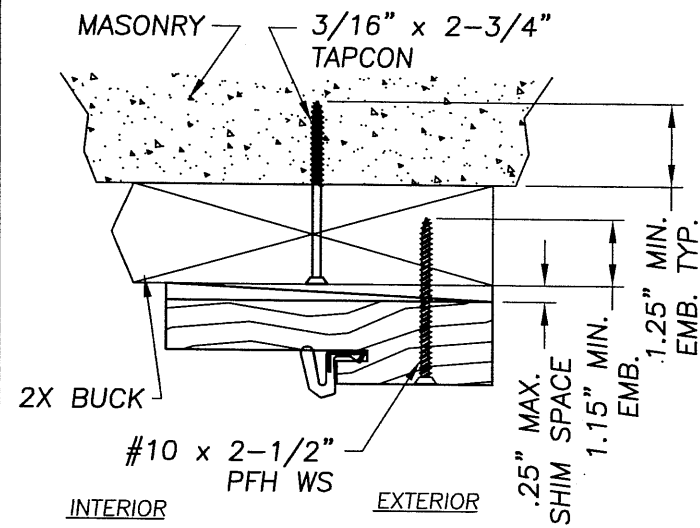
DWG. BY: EW

CHK. BY: WWH

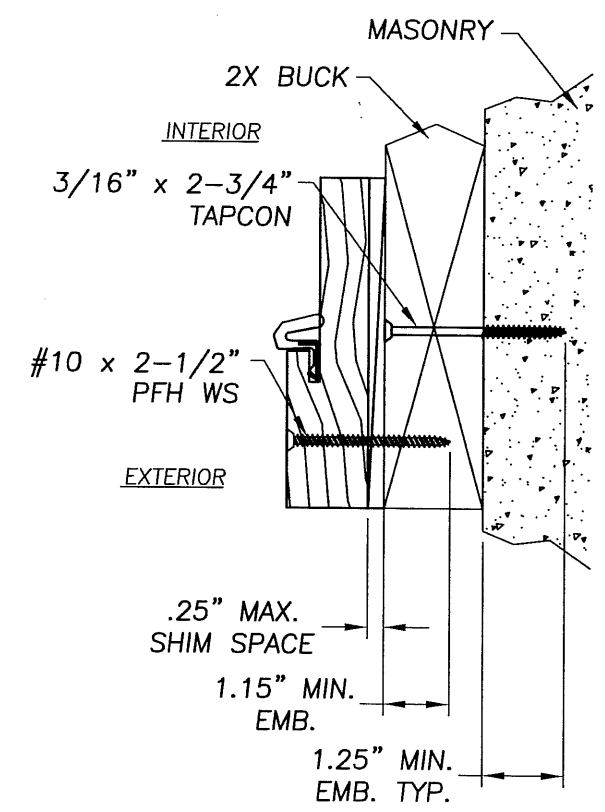
DRAWING NO.:

FL-567

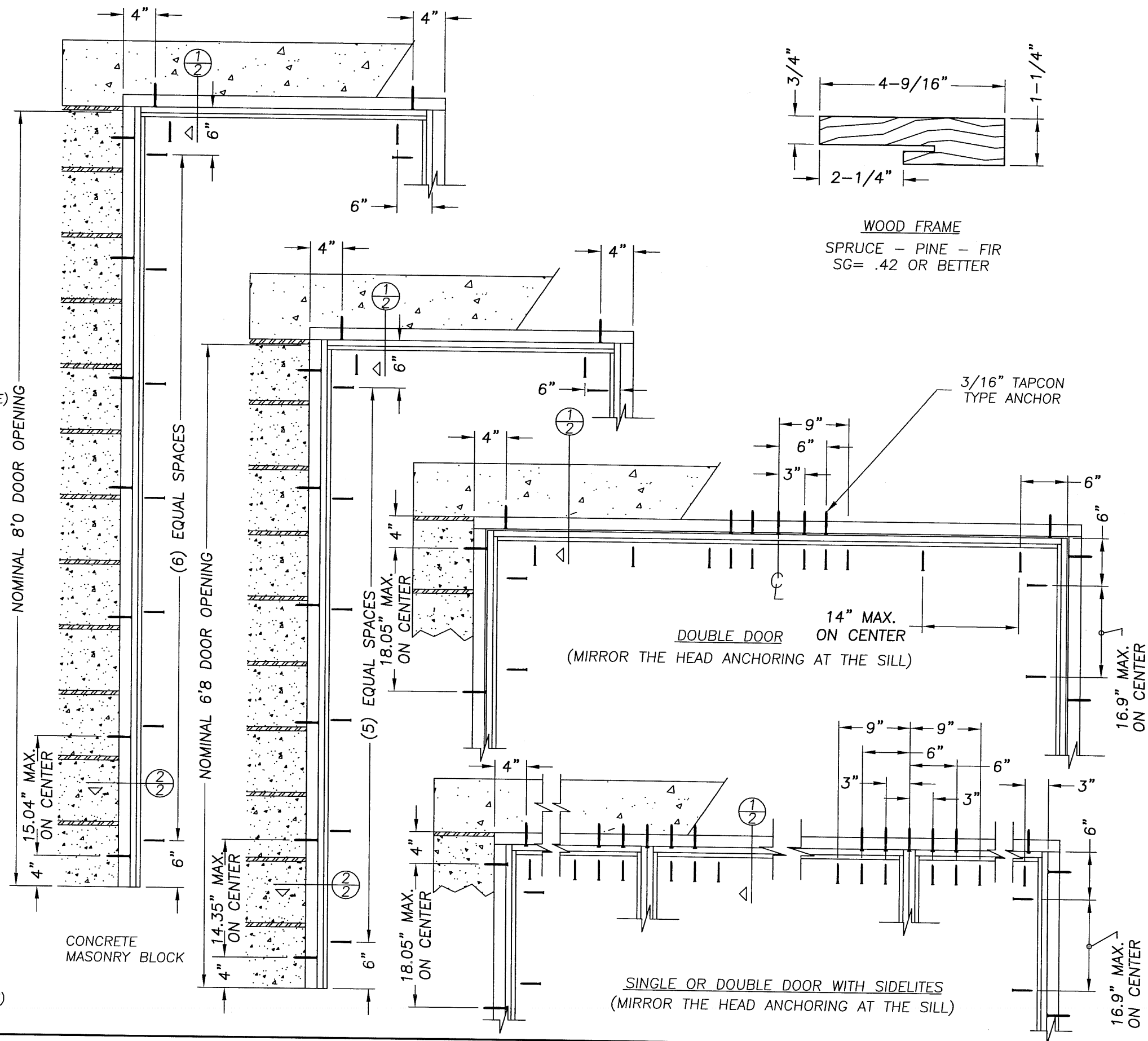
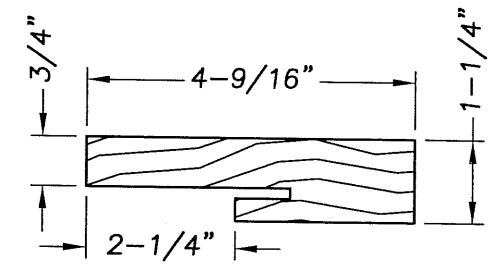
SHEET 1 OF 3



① HEAD JAMB
 TO 2X SUB-BUCK
 INSWING SHOWN
 (OUTSWING REVERSED WITH BUCK FLUSH ON EXTERIOR SIDE)



② VERTICAL SIDE JAMB
 TO 2X SUB-BUCK
 INSWING SHOWN
 (OUTSWING REVERSED WITH BUCK FLUSH ON EXTERIOR SIDE)



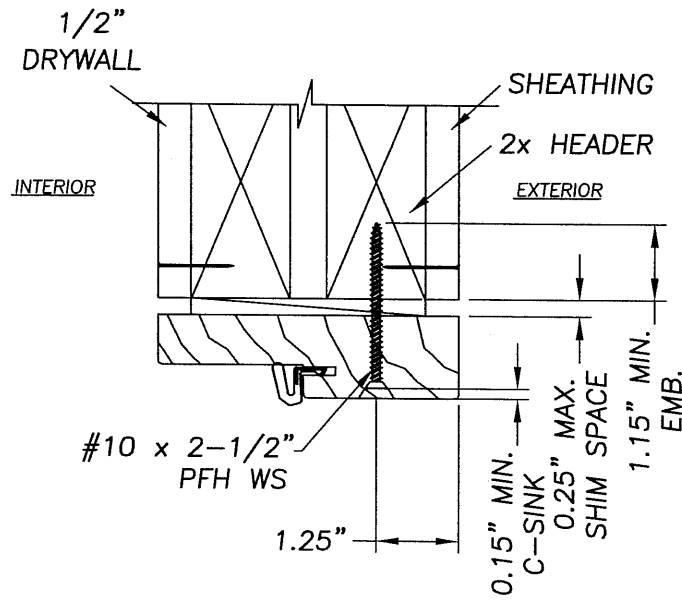
Documents Prepared By:
 RW BUILDING CONSULTANTS, INC.
 P.O. Box 230 Vairico FL 33595
 Phone No.: 813.659.9197
 Florida Board of Professional Engineers
 Certificate Of Authorization No. 9813
 Wendell W. Heney, P.E. No. 54158

PRODUCT: THERMA-TRU INSWING / OUTSWING WOOD FRAME SYSTEM ANCHORING
 PART OR ASSEMBLY: ANCHOR CROSS SECTION MASONRY

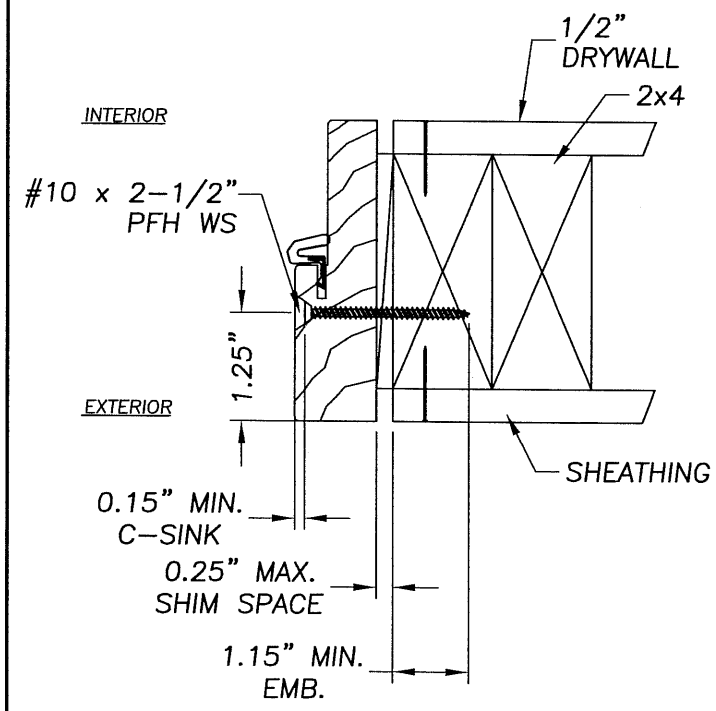
NO.	DATE	BY	REVISIONS

DATE: 8/03/05
 SCALE: N.T.S.
 DWG. BY: EW
 CHK. BY: WWH
 DRAWING NO.: FL-567
 SHEET 2 OF 3

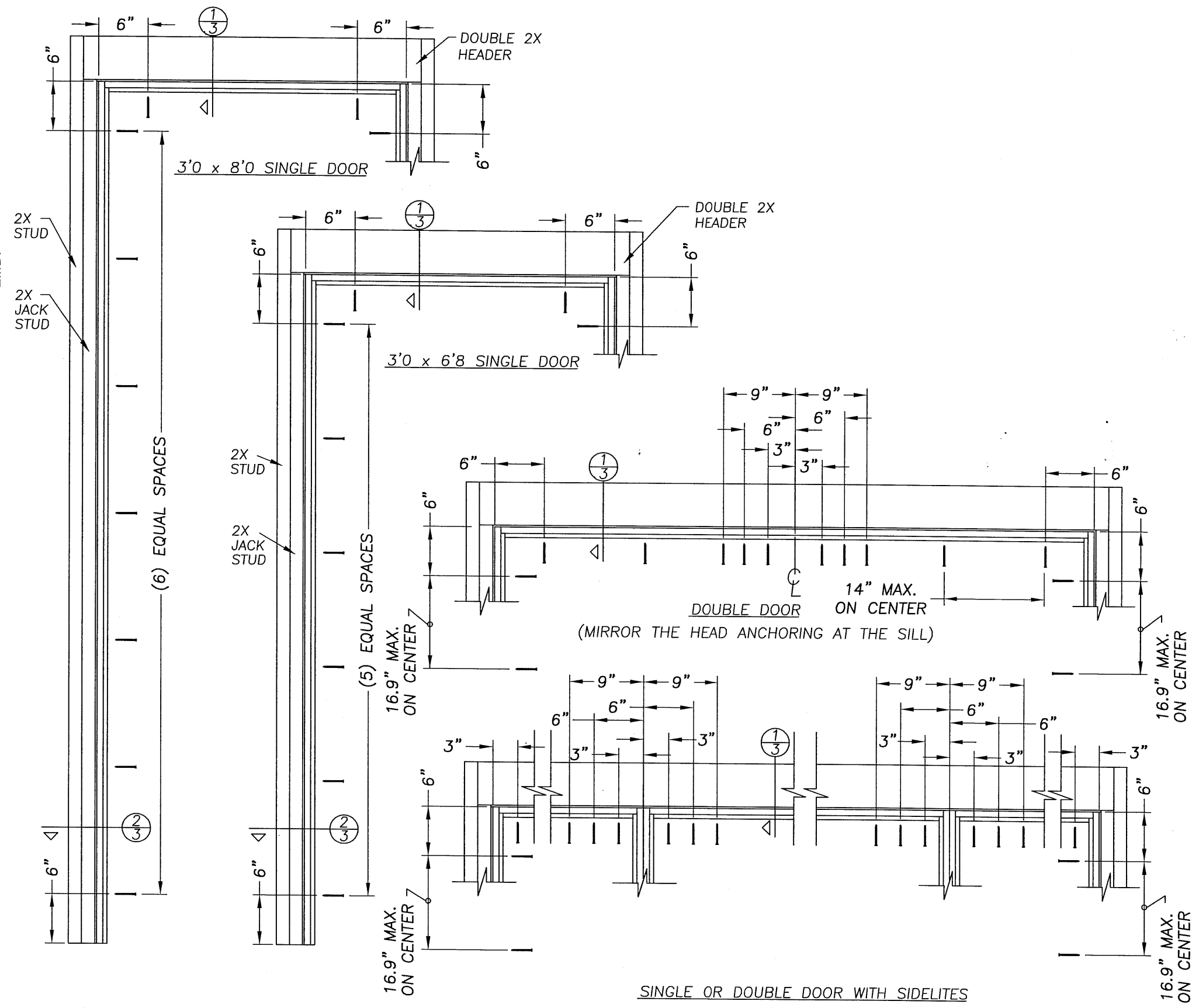
\\rwbcsrv\rwbc\proj 650 - 800\p800\5262.4\FL-567-3.dwg



① HEAD JAMB
TO WOOD FRAME
IN SWING SHOWN
(OUTSWING REVERSED ON EXTERIOR SIDE)



② VERTICAL SIDE JAMB
TO WOOD FRAME
IN SWING SHOWN
(OUTSWING REVERSED ON EXTERIOR SIDE)



SINGLE OR DOUBLE DOOR WITH SIDELITES
(MIRROR THE HEAD ANCHORING AT THE SILL)

Documents Prepared By:
RW BUILDING CONSULTANTS, INC.
P.O. Box 230 Vairico FL. 33595
Phone No.: 813.659.9197
Florida Board of Professional Engineers
Certificate Of Authorization No. 9813
Wendell W. Haney 9/23/05
Wendell W. Haney, P.E. No. 54158

PRODUCT: THERMA-TRU INSWING / OUTSWING WOOD FRAME SYSTEM ANCHORING
PART OR ASSEMBLY: ANCHOR CROSS SECTION WOOD / STL

NO.	DATE	BY	REVISIONS

DATE: 8/03/05
SCALE: N.T.S.
DWG. BY: EW
CHK. BY: WWH
DRAWING NO.: FL-567
SHEET 3 OF 3