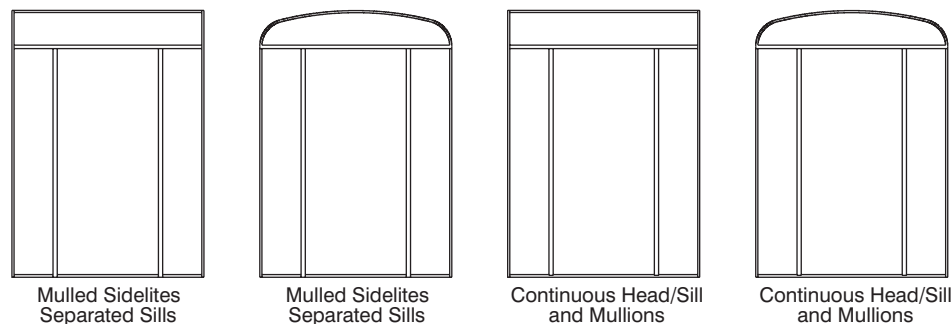
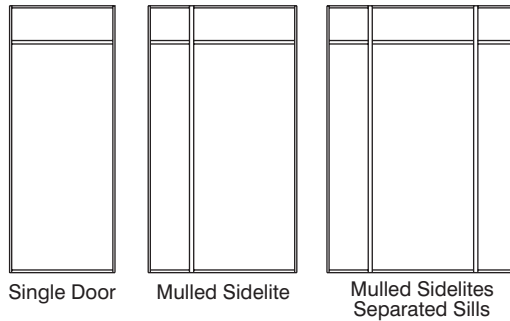


# Installation Instructions for Transom Units



*Read all instructions before starting.*

**THERMA TRU**<sup>®</sup>

The Most Preferred Brand in the Business

# Transom Installation Instructions

Installation  
Instructions

## 1 ASSEMBLE JAMB EXTENDERS IF USING 6-9/16" JAMBS.

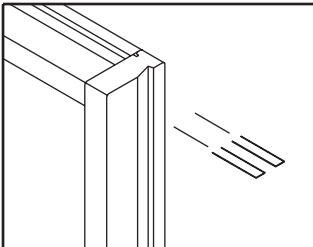
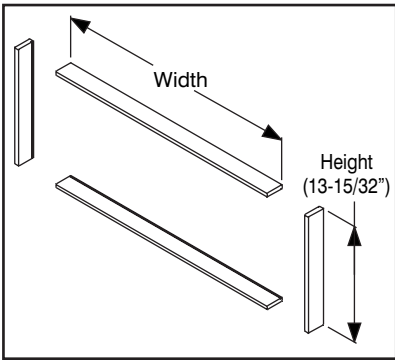
Measure transom frame width and height.

The following are recommended height and width dimensions. Use actual measurements to construct jamb extender frame.

Height: 13-15/32"

Door/Sidelite Slab	Width
14" Sidelite	14"
12" Sidelite	12"
3/0	36-5/32"
3/0 w/12" S/L, Mulled	62-5/32"
3/0 w/12" S/L, Boxed	63-5/32"
3/0 w/14" S/L, Mulled	66-5/32"
3/0 w/14" S/L, Boxed	67-5/32"

Cut extender components to match transom dimensions.

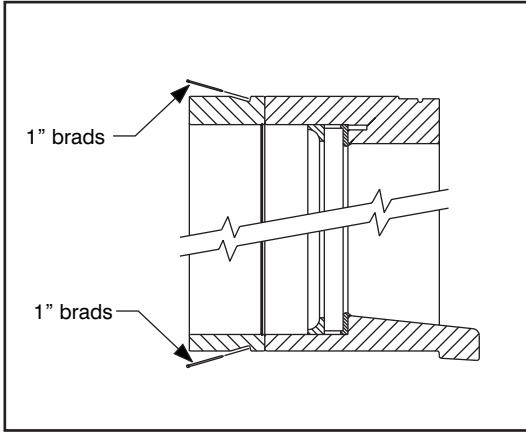


Butt corners together and fasten with 2 staples or nails.

## 2 APPLY JAMB EXTENDERS IF APPLICABLE.

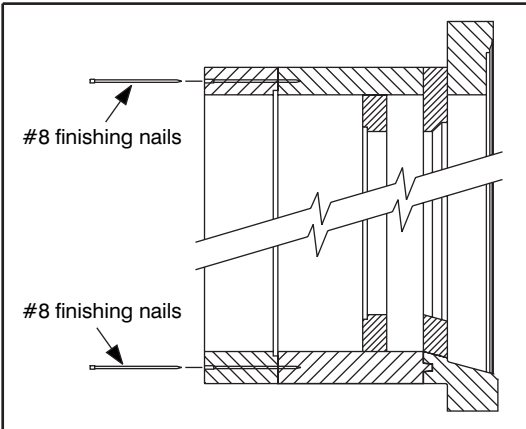
Align extender with transom. Orient so V-groove for fastening is closer to transom frame.

Fasten entire perimeter, as shown, through V-groove. Use 1" brads on 6" centers.



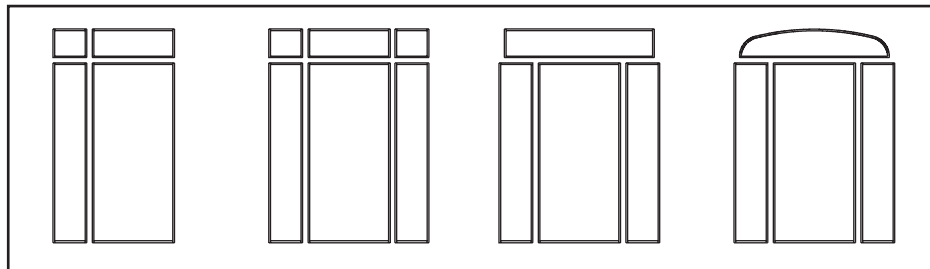
Align extension jamb with transom jamb so inside surface of extension jamb is flush with inside surface of transom jamb, and relief notch is against transom jamb.

Nail and countersink extension jamb to transom jamb with #8 finishing nails in pre-drilled holes.



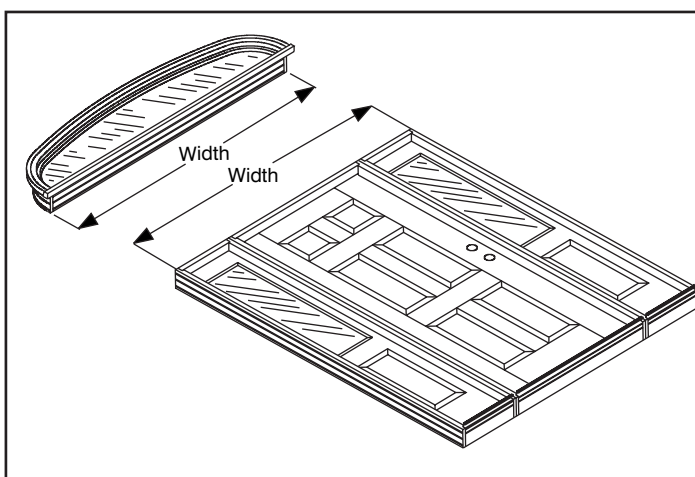
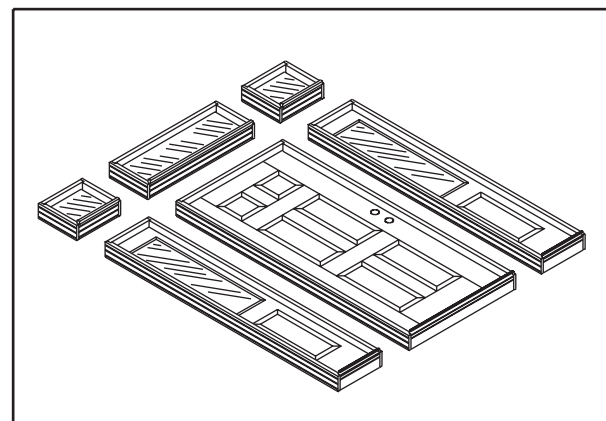
**3** **WIDTH-MATCH MULLED UNITS.**

When jamb-stitched ("mulled") and then stacked with transoms, units require special attention. Width and thickness tolerances can work against the assembler. Width checking is required and shimming may be necessary.



Place units together to check fit.

Lay door, sidelite and transom units on a flat surface with exterior sides facing up.



Measure widths and compare.

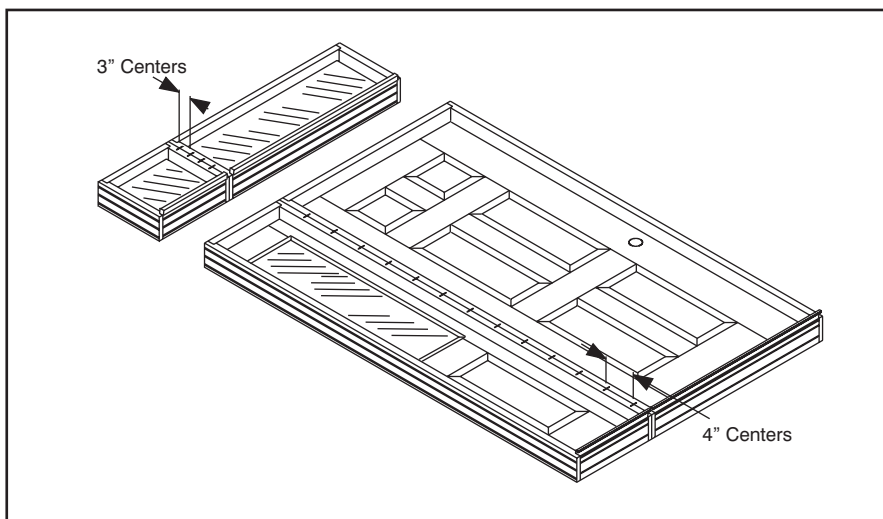
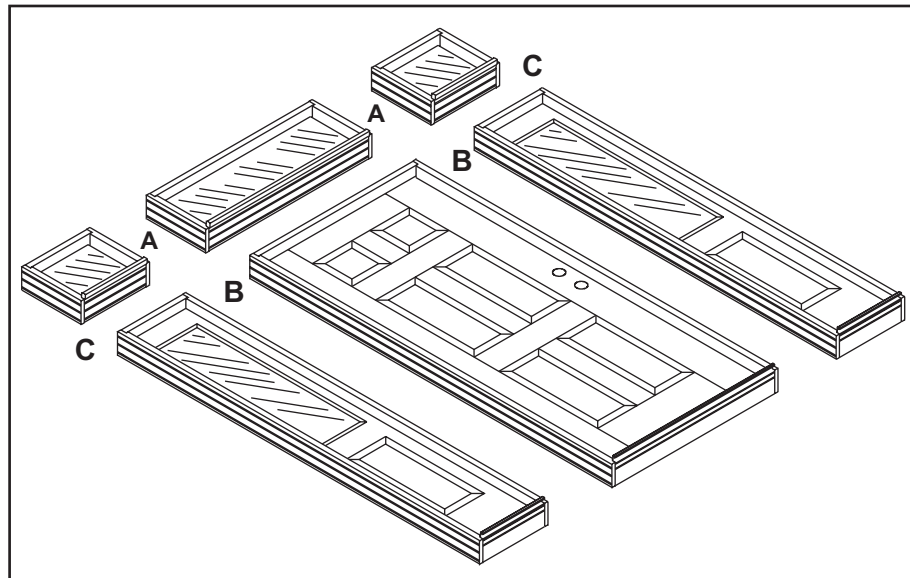
## Transom Installation Instructions

### 3 WIDTH-MATCH MULLED UNITS. (CONT.)

Shim or remove material where required to match widths.

Shim between jambs at A or B so width match at C.

If material needs to be removed, use a power planer or belt sander on back side of jamb where required.



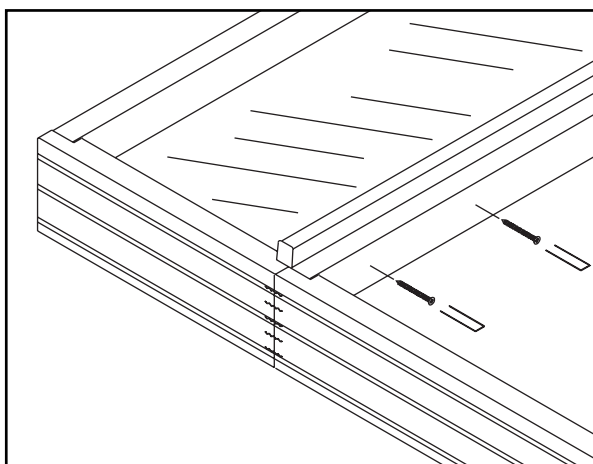
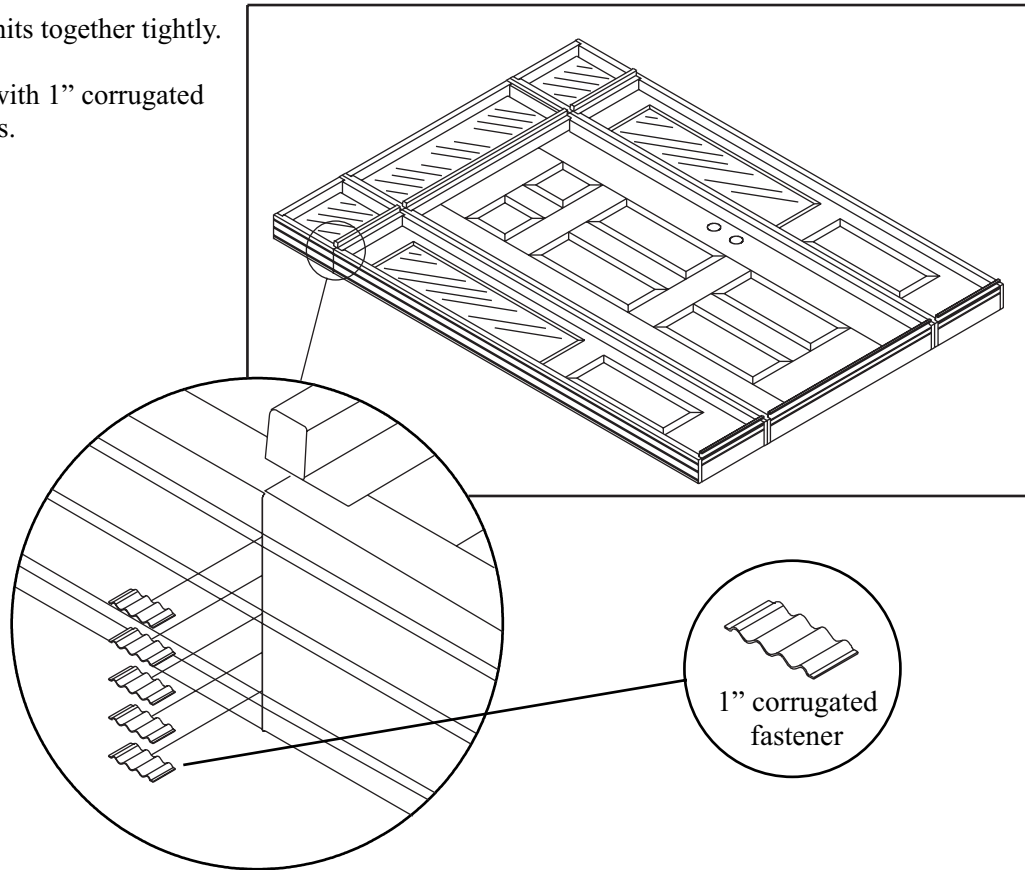
Draw jambs together and stitch-fasten across joint with 1" corrugated fasteners.

Fasten door unit at 4" centers. Fasten transom unit at 3" centers.

## 4 ATTACH TRANSOM TO DOOR UNIT.

Draw units together tightly.

Fasten with 1" corrugated fasteners.



Draw head to transom sill and clamp if required.

Using 2" screws or staples spaced on 6" centers, fasten through door/sidelite frame heads into transom sill.

# Transom Installation Instructions

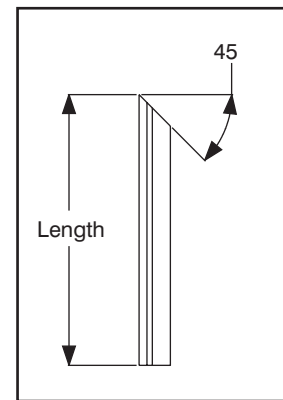
## 5 CUT BRICKMOLD TO SIZE. (RECTANGULAR TRANSOM)



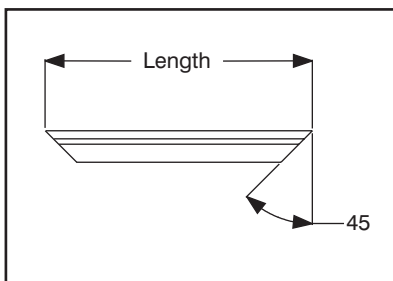
**CAUTION:**

The following four steps apply only to units with rectangular transoms.  
For units with elliptical transoms proceed to step 9.

Door Height	Jamb Length Inswing	Jamb Length Outswing
6/8	96-3/4"	95-21/32"
7/0	100-3/4"	99-21/32"
8/0	112-3/4"	111-21/32"



JAMB BRICKMOLD



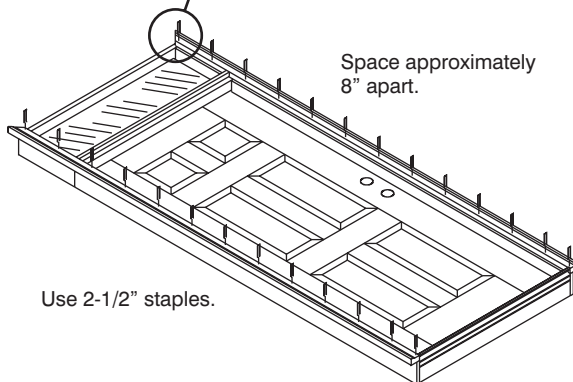
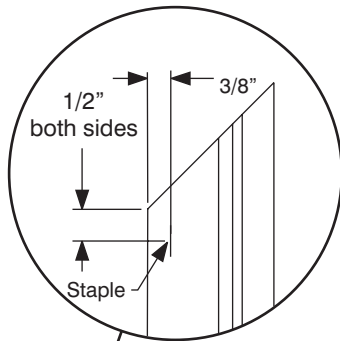
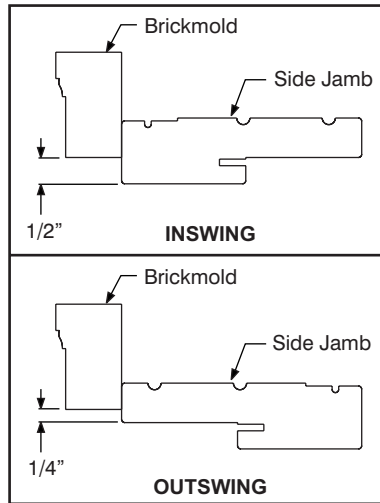
HEAD BRICKMOLD

	Unit Size	Head Length Inswing	Head Length Outswing
Single Units	3/0	40-5/32"	40-21/32"
Continuous Sill Units	3/0 - (2) 12"	66-5/32"	————
	3/0 - (2) 14"	70-5/32"	————
Mulled Units	3/0 - (2) 12"	67-5/32"	67-21/32"
	3/0 - (2) 14"	71-5/32"	71-21/32"

**6 FASTEN BRICKMOLD TO SIDE JAMBS.**

Locate and attach brickmold jamb pieces.

Fasten brickmold with 2-1/2" staples starting 1/2" in from end and spaced approximately 8" apart.

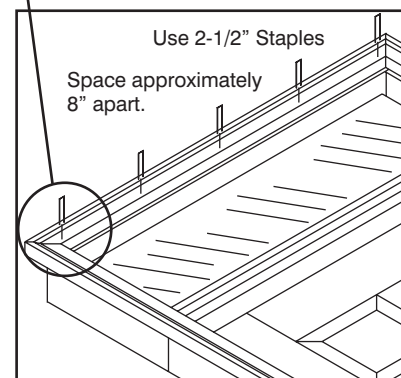
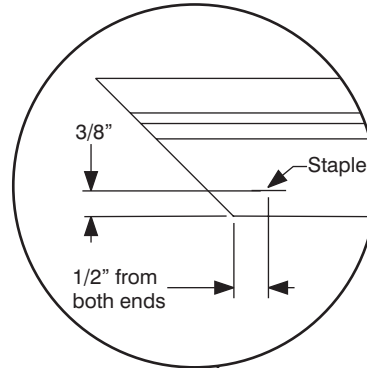
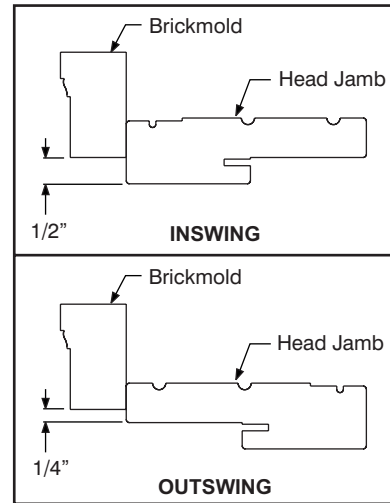


**7 FASTEN BRICKMOLD TO FRAME HEAD.**

Align brickmold head at corner miters.

Fasten near ends to jambs with 2-1/2" staples.

Hold proper 1/2" or 1/4" reveal and staple to jamb across length at approximately 8" spacing.

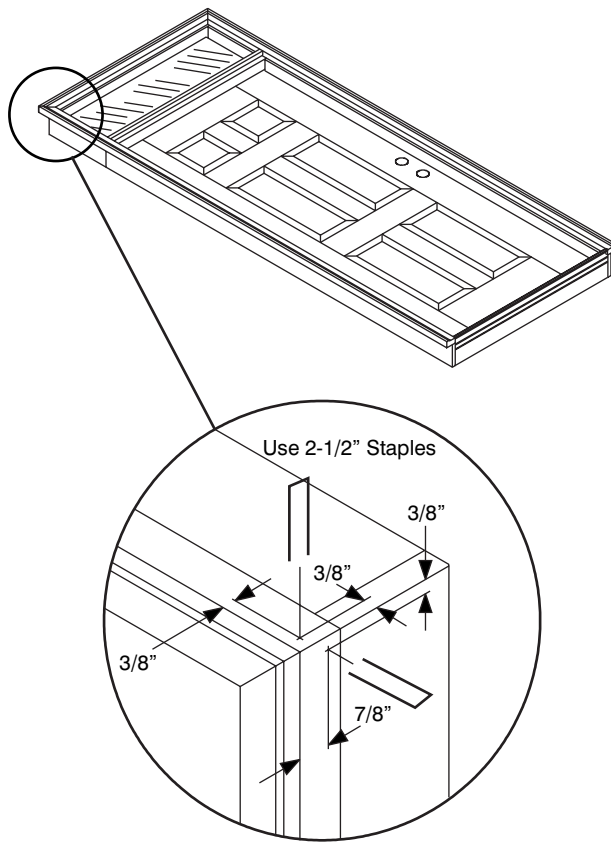


## Transom Installation Instructions

### 8 SECURE CORNERS AND CAULK REMAINING GAPS.

Secure each corner with (2) 2-1/2" staples, one applied through head piece and one applied through jamb length.

Caulk remaining gaps and remove excess.



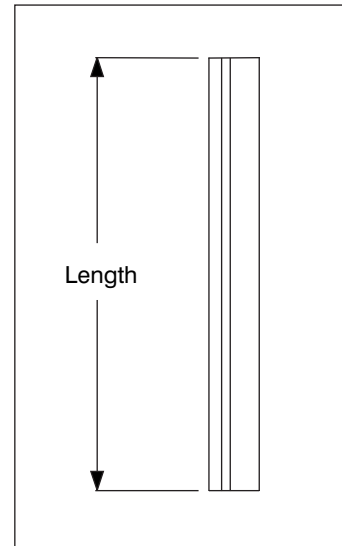
### 9 CUT BRICKMOLD TO SIZE. (ELLIPTICAL TRANSOM)



**CAUTION:**

The following two steps apply only to units with elliptical transoms.

JAMB LENGTHS	Length	
	Inswing	Outswing
6/8	96-3/4"	95-21/32"
7/0	100-3/4"	99-21/32"
8/0	112-3/4"	111-21/32"



JAMB BRICKMOLD

**THERMA TRU®**

The Most Preferred Brand in the Business

1750 Indian Wood Circle • Maumee, Ohio 43537 • 419-891-7400

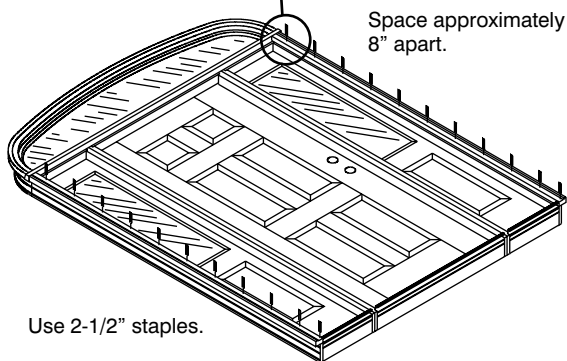
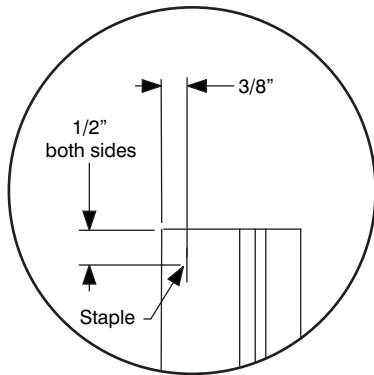
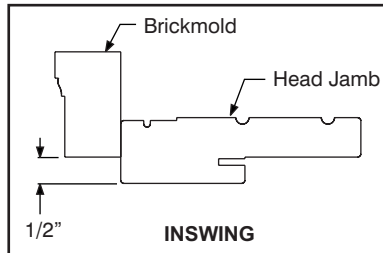
©1994-2004 Therma-Tru Corp. All rights reserved.

Therma-Tru Doors is an operating company of Fortune Brands, Inc.

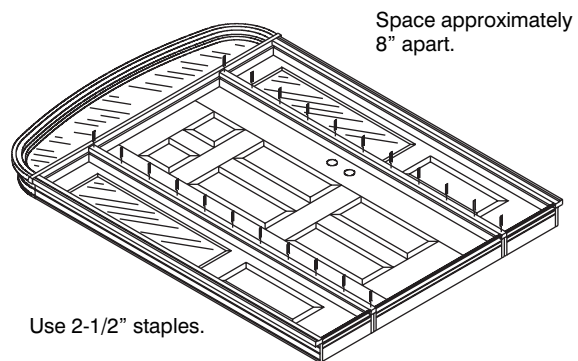
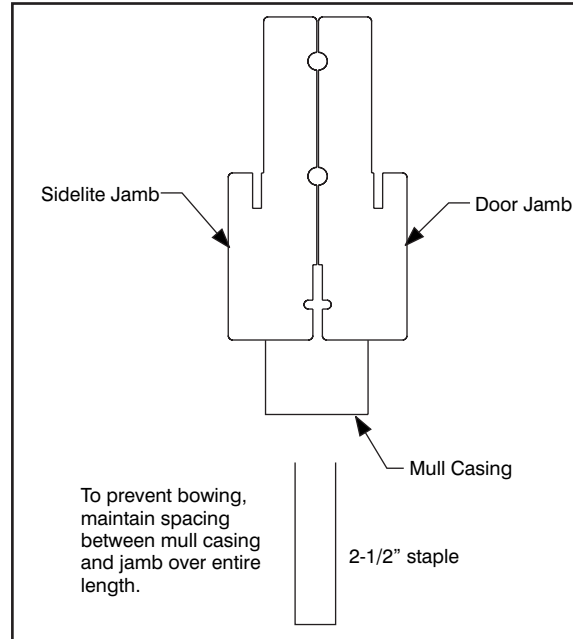
**10** FASTEN BRICKMOLD TO SIDE JAMBS.

Locate and attach brickmold jamb pieces.

Fasten brickmold with 2-1/2" staples starting 1/2" in from end and spaced approximately 8" apart.



**11** CUT MULL CASING TO PROPER LENGTH AND APPLY.



# Transom Installation Instructions

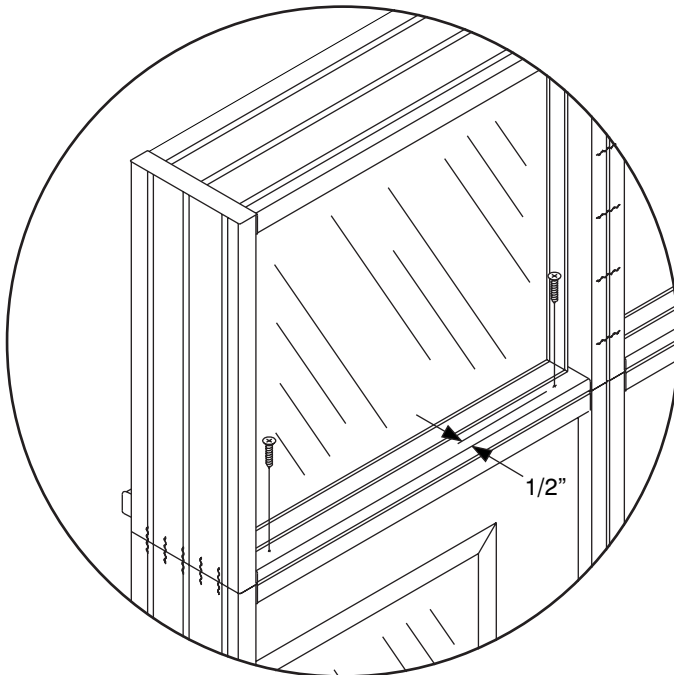
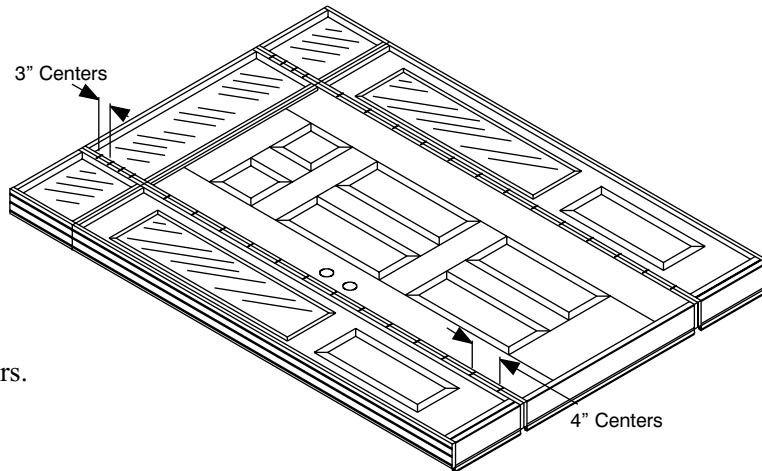
## 12 FINAL TRANSOM ATTACHMENT TO DOOR.

Turn entire unit over.

Stitch-fasten at exterior side across joint with 1" corrugated fasteners.

Fasten door unit at 4" centers.

Fasten transom unit at 3" centers.



Draw head/sill joint together and clamp if required.

Screw or staple down through transom sill into door/sidelite frame heads.

Fasten along a line approximately 1/2" in from edge as shown.

Space on 6" centers.

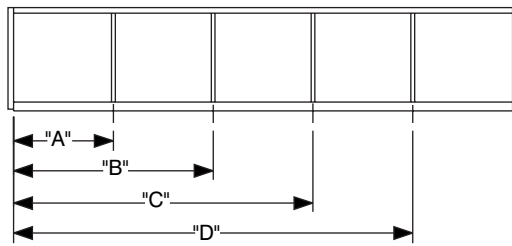
Rectangular transoms require 1" fasteners. Elliptical transoms require 1-1/2" fasteners.

## 13 INSTALL TRANSOM GRILLE (OPTIONAL)

Use table below for location of grille bars.

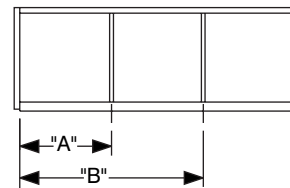
Measure from inside edge of transom jamb and place a mark on the sill approximately 3/4" from inside edge of sill.

Mark transom head in same manner.



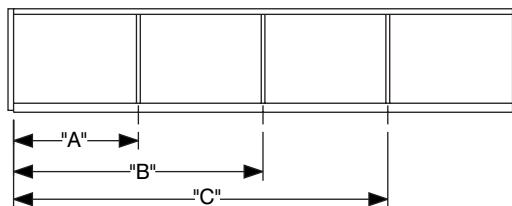
GRILLE BAR LOCATIONS, 5-PANE TRANSOM

UNIT SIZE	"A"	"B"	"C"	"D"
6/0	14-23/32"	29-11/32"	43-31/32"	58-19/32"
5/8	13-29/32"	27-3/4"	41-9/16"	55-25/64"
5/4	13-7/64"	26-9/64"	39-11/64"	52-13/64"
5/0	12-5/16"	24-35/64"	36-49/64"	49"



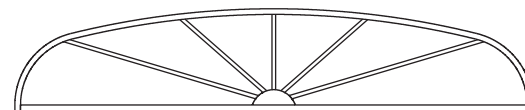
GRILLE BAR LOCATIONS, 3-PANE TRANSOM

UNIT SIZE	"A"	"B"
3/0	12-5/64"	24-3/64"



GRILLE BAR LOCATIONS, 4-PANE TRANSOM

UNIT SIZE	"A"	"B"	"C"
6/0	18-3/8"	36-21/32"	54-15/16"
5/8	17-3/8"	34-21/32"	51-15/16"
5/4	16-3/8"	32-21/32"	48-15/16"
5/0	15-3/8"	30-21/32"	45-15/16"



Removable/replaceable grille is standard in elliptical (clear) transoms and is factory installed.

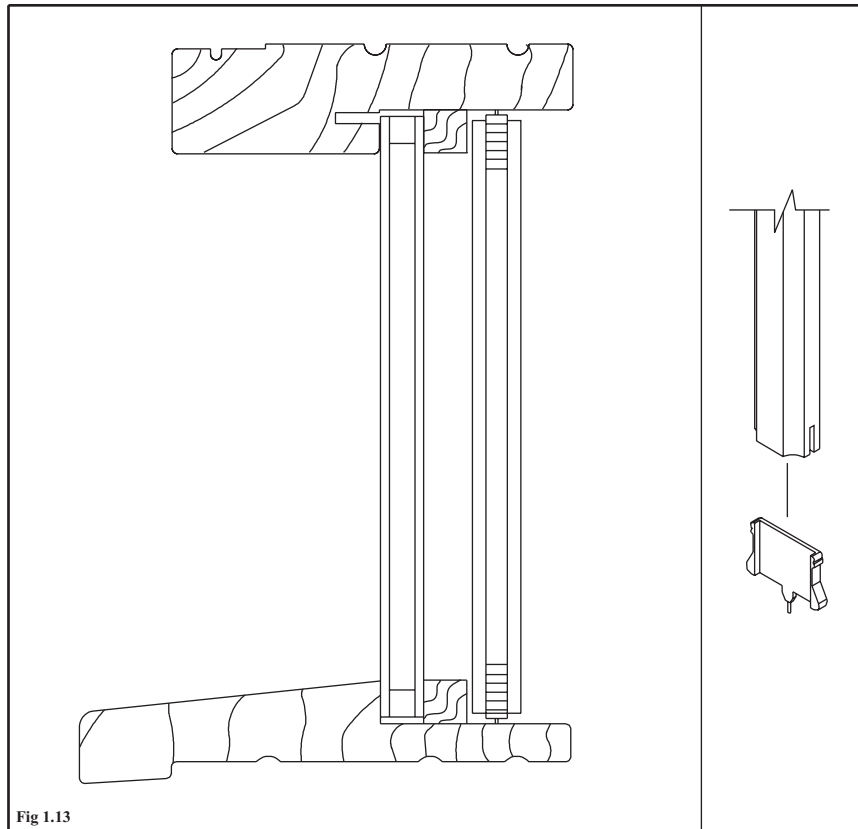
## Transom Installation Instructions

### **14** INSTALL GRILLE BARS ON RECTANGULAR TRANSOMS.

#### Plastic Slide and Nail Installation


Locate each grille to align nail of each plastic slide with mark.


Using the plastic slides, press attached nail at each end of grille firmly into sill and transom head.






## Elliptical Transom Casing Installation Instructions

 The curvature and fit of the casing may not appear to match the transom frame shape, if the two are compared before installation. Do not be concerned. The casing will flex and is fit to the frame at installation time.

 Complete installation of this elliptical casing before doing the straight vertical sides.

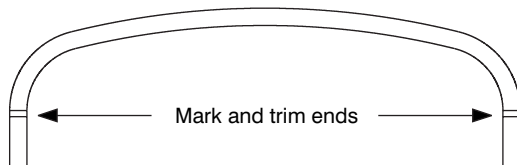
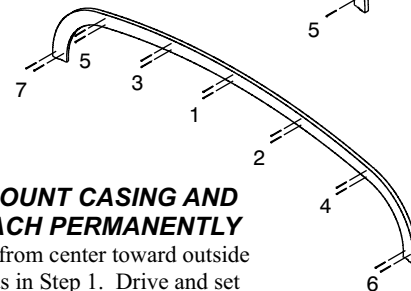
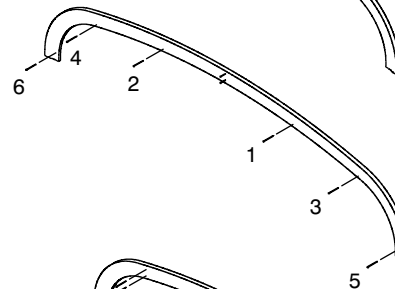
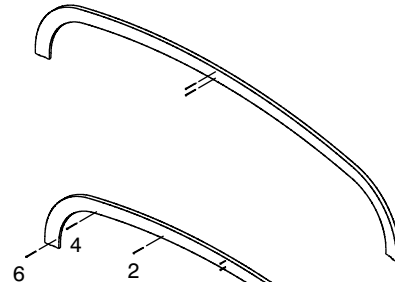
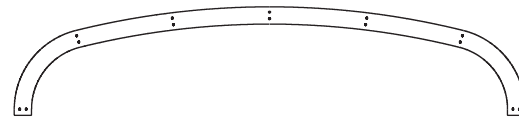
 Casing is furnished with a small amount of extra length at each end. This will need to be trimmed at installation time.

### 1. TEMPORARILY ATTACH CASING

Before installing, mark casing for finish nail locations. Mark for outer and inner nails.

With transom installed in wall, place casing against transom frame. Position casing at center for desired reveal from frame edge. Tack in place at the top two center finish nail locations only. Do not drive nails fully. They will be pulled back out in Step 2.

Work from center out. Adjust casing so reveal margin is the same at each nailing point. Tack at each inner nail location.



### 2. MARK AND TRIM ENDS

Attach ends of transom casing. Use square cut pieces of straight jamb casing and mark ends of elliptical casing for trim cuts.

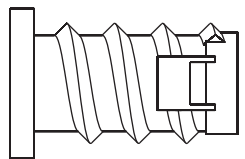
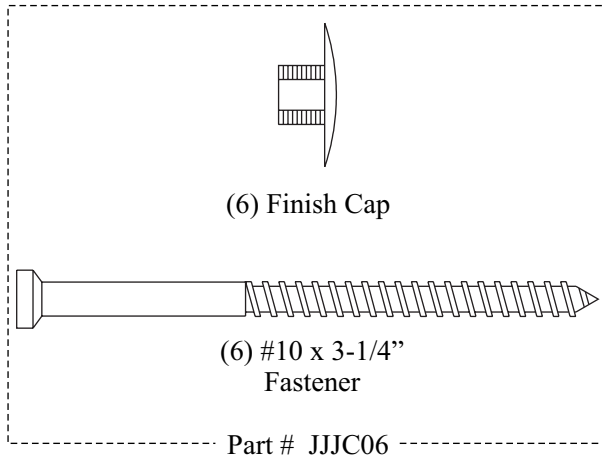
Pull nails carefully. Remove casing from wall and trim ends.

### 3. REMOUNT CASING AND ATTACH PERMANENTLY

Work from center toward outside ends as in Step 1. Drive and set all nails.

**This page intentionally left blank.**

## Jamb-Jacks Parts List

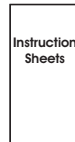


Jamb-Jack Insert  
(may be pre-installed)  
Part # JJINS



Special Bit  
Part # JJTDRVR

# Installation Instructions for Jamb-Jacks<sup>®</sup>



Use this instruction sheet with  
**"Installation Instructions for  
Pre-hung Door Systems"**

### Tools required for installation:

Special installation bit (Recommended)  
or #4 Phillips driver.

#25 torx driver bit

#25 torx screwdriver

Special Jamb-Jack installation  
bit (Part # JJTDRVR) available  
from your Therma-Tru dealer.

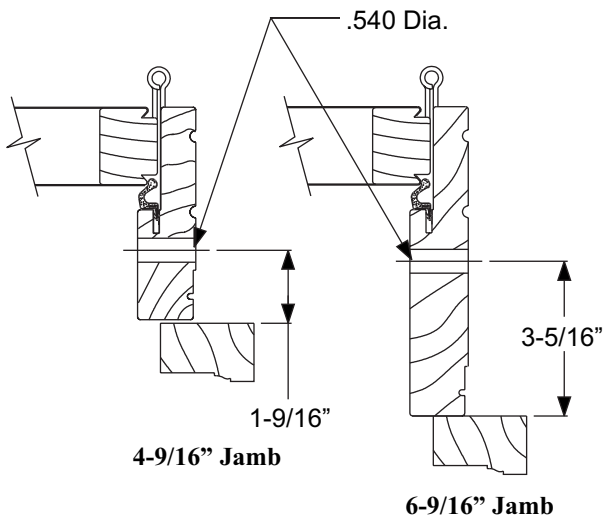
**THERMA TRU**<sup>®</sup>  
*The Most Preferred Brand in the Business*<sup>™</sup>

# Jamb-Jack Installation Instructions

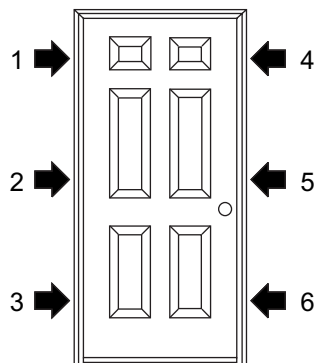
## 1 DRILL HOLES THROUGH FRAME.

Frame may have been pre-drilled. If so, skip this step.

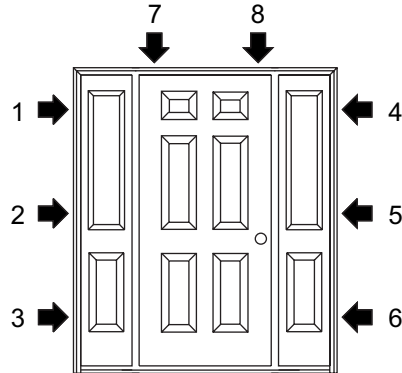
Drill holes through frame, located as shown below, using a .540 diameter drill bit.  
Note: a 9/16" diameter will also work.



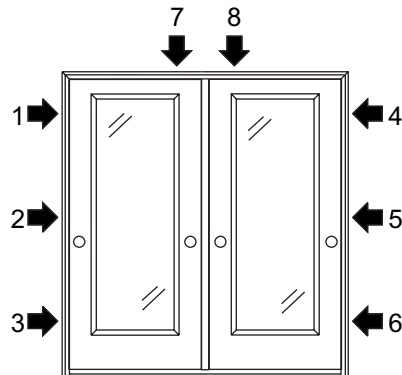
### SINGLE DOORS



### DOORS WITH SIDELITES

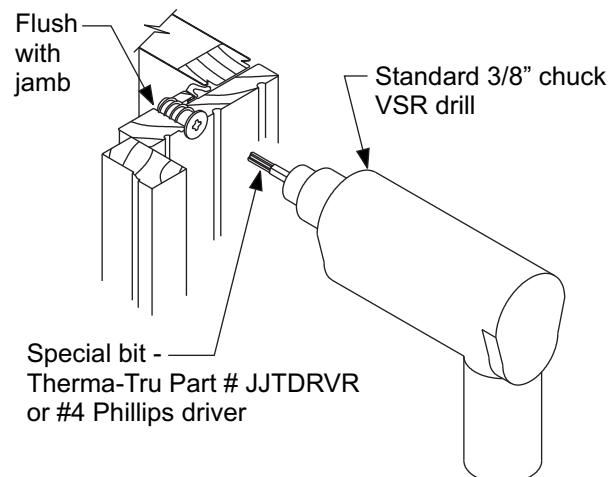


### DOUBLE DOORS

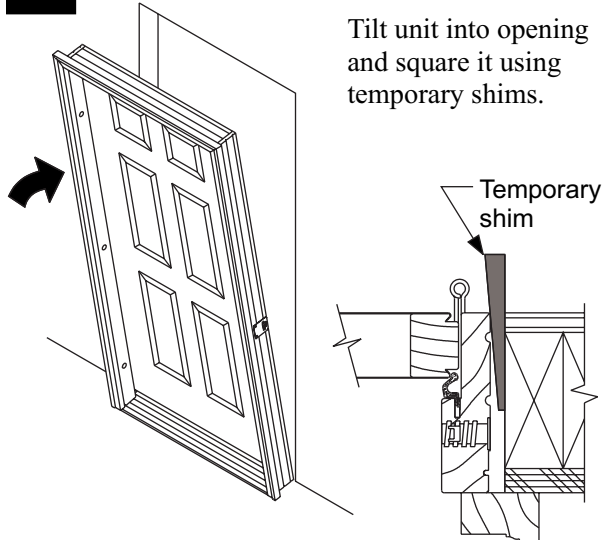


## 2 INSTALL JAMB-JACK INSERTS.

Inserts may have been pre-installed. If so, skip this step.

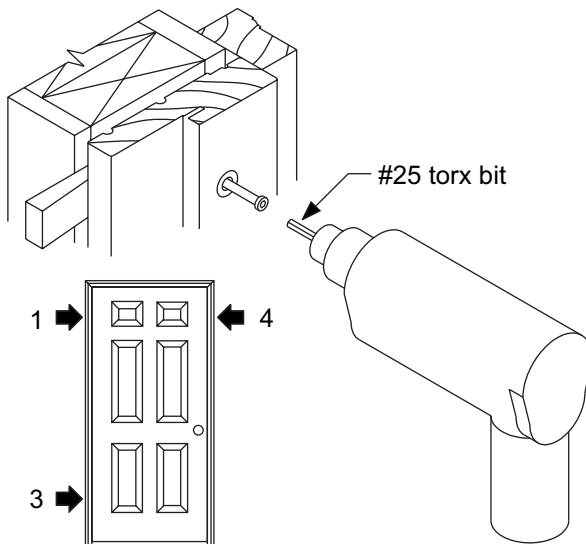


### 3 POSITION UNIT IN OPENING.

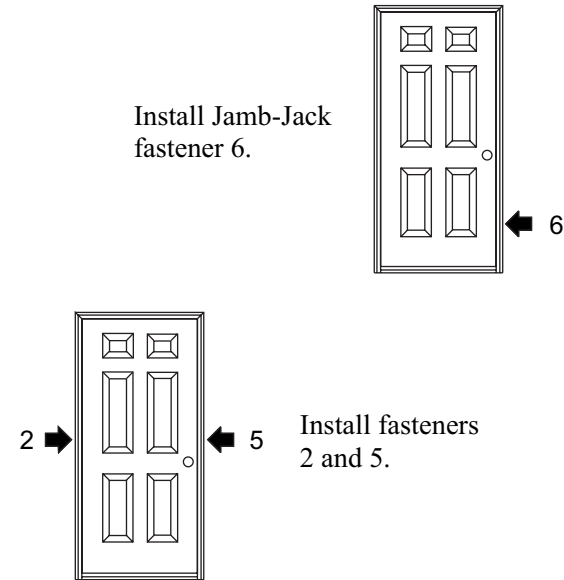


### 4 INSTALL FASTENERS.

Install Jamb-Jack fasteners 1, 3 & 4 using a #25 torx bit. Fastener will seat into insert when head of fastener is approximately 7/16" below surface of jamb. Be careful not to overtighten fasteners.

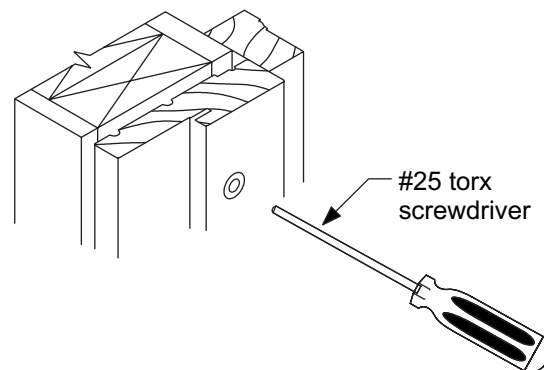


Check weatherstrip contact with door along lock edge of door. If necessary, adjust bottom corner of frame in or out to ensure that contact is equal.



### 5 ADJUST FRAME.

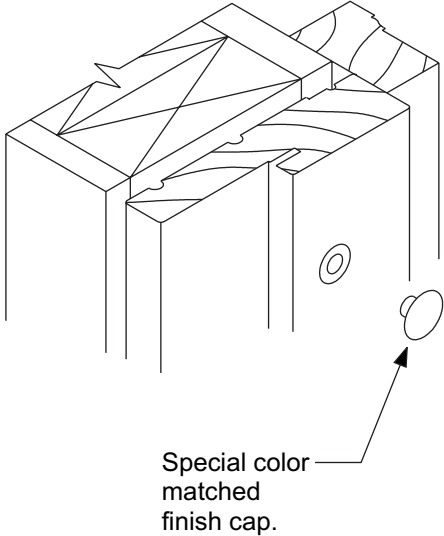
Remove temporary shims and adjust fasteners to square up door.



# Jamb-Jack Installation Instructions

Installation  
Instructions

## 6 INSTALL FINISH CAPS.



Questions or comments - call 1-800-4BUILDR

**THERMATRU**<sup>®</sup>  
*The Most Preferred Brand in the Business*<sup>™</sup>

1750 Indian Wood Circle  
Maumee, Ohio 43537  
1-800-THERMATRU (843-7628)

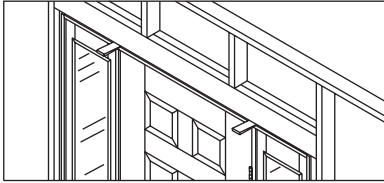
©1994-2004 Therma-Tru Corp. All rights reserved.  
Therma-Tru Doors is an operating company of Fortune Brands, Inc.

## 7 INSTALL ADDITIONAL HEAD JAMB FASTENERS.

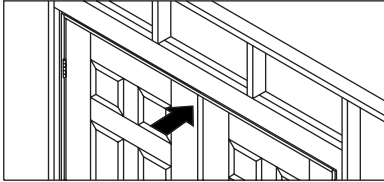
Single doors do not require additional head jamb fastening.

Locate head jamb fasteners as shown below.

**Doors with Sidelites:**  
Shim above posts or jambs separating door and sidelites. Screw, nail or use Jamb-Jacks adjacent to shims.



**Double Doors:**  
Screw, nail or use Jamb-Jacks at center where doors meet. Do not shim.



**THERMA TRU**  
DOORS

*The Most Preferred Brand in the Business™*

**Prehanging  
Instructions  
for  
Adjusta-Fit®  
Adjusta-Trim®**



Read all directions carefully before installing your new Therma-Tru Steel Frame Door System.



**CODES**  
Building codes vary from area to area. If a fire rating is required of the door and opening being framed, the installer must use installation materials and methods to satisfy the authority having jurisdiction. Therma-Tru provides labeled products, but bears no responsibility for installation.

Please note that there are separate "Installation Instructions"

*For information on where to purchase  
Therma-Tru entry door systems,  
call 1-800-537-8827*

**Therma-Tru Positive Pressure  
(UBC 7-2-97/UL 10C/NFPA 252)  
Labeled Systems**

This Therma-Tru door has been labeled in compliance with UL10C & UBC 7-2 1997 (Positive Pressure) and does not require the application of an additional edge sealing system. To maintain the validity of this certification, the door installer must follow these instructions. They should be kept on file on the building premises for verification by the authority having jurisdiction.

- Verify that the frame is compatible with the door and properly installed.
- Install hardware per the hardware manufacturer's instructions.
- For smoke rating, a listed and labeled category "H" Smoke and Draft control gasket shall be installed to the opening. Category "H" Smoke and Draft control gaskets shall be "listed" for compliance with test procedure UBC Standard 7-2-1997, Parts I and II.
- Installation must comply with requirements of NFPA 80 "Standard for Fire Doors and Fire Windows"
- A maximum of 1/8" clearance between frame and door is allowed.
- Surface mounted hardware must be attached with through bolts unless interior blocking is provided.
- Doors shall be installed in minimum 18-gauge standard or adjustable steel frames with kerfs.
- Therma-Tru Virginia Benchmark Compression weatherstrip shall be installed in the header and jambs of the frame.
- If closure reinforcement is not provided, use through bolts to install closure.

**THERMA TRU**  
DOORS

*The Most Preferred Brand in the Business™*

1687 Woodlands Dr. Maumee, Ohio 43537  
1-800-Therma-Tru (843-7628)  
www.thermatru.com

© Copyright 2003 Therma-Tru Corp. 1/2007 Stock# MASLCMFPHI

# Adjusta-Fit/Adjusta-Trim Prehanging Instructions

**THERMA-TRU**  
DOORS

Installation  
Instructions

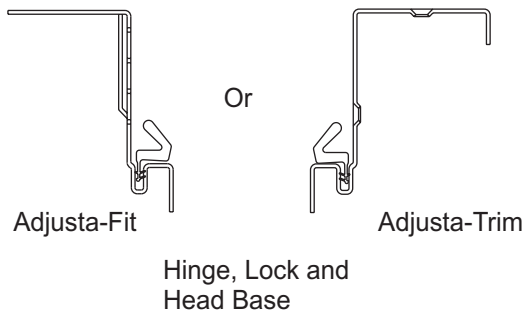
## Parts List and Description

(Note: Not all Items are included with every option.)

### PREHANGING COMPONENTS

#### PREHANGING INSTRUCTIONS

##### JAMBS (3 Parts)



#### HARDWARE



(18) #10-24 x 3/8" Type T  
Self Tapping Screws



(1) #10 - 32 x 1/2" Phillips Panhead Type A Screw



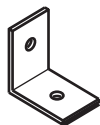
(4) #10 x 3/4" Phillips Panhead TEKS 2 Screws



(5) #8 x 1/2" Phillips Panhead Spear Tip Screws (white)



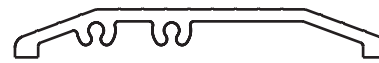
(3) 9/16" x 15/16" x 1/8"  
Spacers



(1) "L" Bracket

(Prehanging Components cont.)

#### SILLS



Barrier Free Sill



Inswing Sill

#### JOB SITE COMPONENTS

(1) CARTON -  
"STEEL FRAME - FIELD/TRIM PACKAGE"

#### SUPPLIED SEPARATELY

#### DOOR

HINGES: 1 1/2 Pair, 5/8 Radius

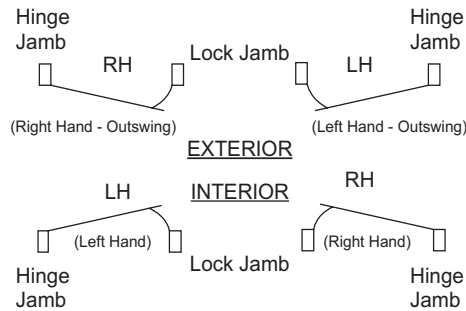
#### TOOLS REQUIRED

Phillips Screwdriver  
Hammer or Rubber Mallet

Phillips Driver Bit  
Drill

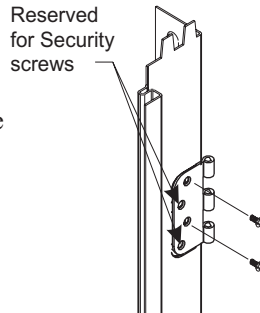
**1 LAY DOOR ON CLEAN ASSEMBLY TABLE.**

Choose the correct width, height, hand, hardware prep, and fire rating for your Therma-Tru door.



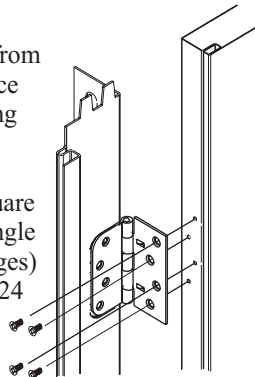
**2 FASTEN HINGES TO FRAME AND DOOR.**

Fasten (5/8" radius) rounded corner hinge leaves (double knuckle on spring hinges) to hinge jamb using (6) #10 - 24 x 3/8" self-tapping screws, provided. Note that two holes in each hinge are reserved for on-site application of security screws.



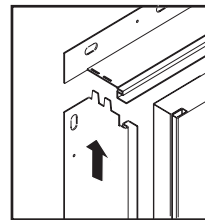
Do not remove decals from center hinge area. Pierce decals at hinge mounting hole locations.

Fasten self-locating square corner hinge leaves (single knuckle on spring hinges) to door using (12) #10-24 x 3/8" self tapping screws.



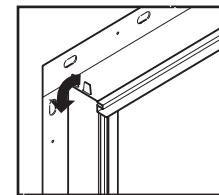
**3 ASSEMBLE HEAD JAMB TO LOCK AND HINGE JAMBS.**

Place 1 self-adhesive spacer from the hardware bag on the head jamb 4" from the lock jamb. Place the remaining 2 spacers on the lock edge of the door (one near the top and one below the latch). This ensures proper margins around the door.



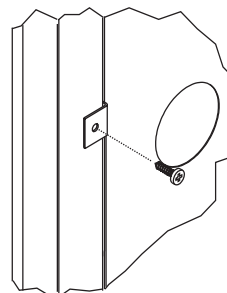
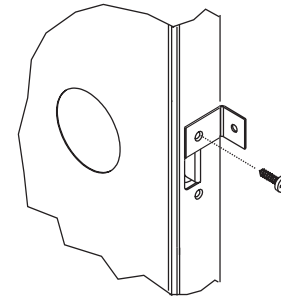
Insert tab on each end of head jamb into slot at top of hinge and lock jamb.

Bend each tab down tightly using a rubber mallet or hammer to ensure a secure fit.



**4 FASTEN DOOR TO FRAME WITH "L" BRACKET.**

With door open remove top screw from latch plate adapter. Attach "L" bracket to lock plate mortise on door edge with latch plate top screw.



With door closed, adjust the door to the top and to the latch side resting on the spacers applied in step 1. Attach "L" bracket to lock jamb with #10 x 1/2" Type A screw.

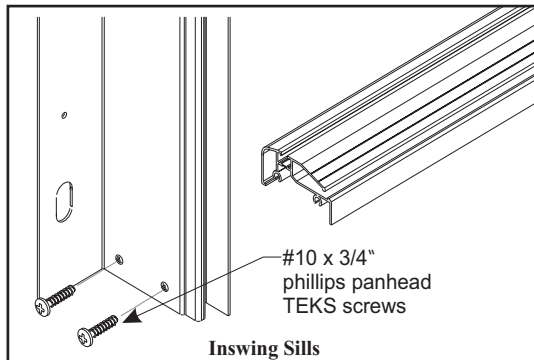
# Adjusta-Fit/Adjusta-Trim Prehanging Instructions

**THERMA-TRU**  
DOORS

Installation  
Instructions

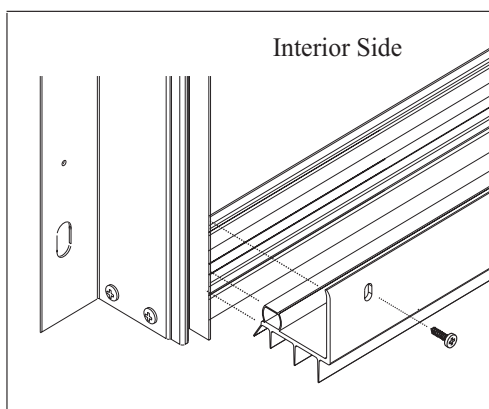
## 5 ASSEMBLE SILL TO HINGE AND LOCK JAMBS.

Attach sill with (4) #10 x 3/4" TEKS screws.



## 6 ATTACH DOOR BOTTOM.

Slide door bottom between door and sill. Align at ends and against inside face with lip. Screw door bottom in place with (5) # 8 x 1/2" self piercing spear tip screws beginning in the center and working out to ends.



## 7 PREPARE PRE-HUNG UNIT FOR DELIVERY TO JOB SITE.

Package to provide protection during handling and transport.

Ship along with carton labeled "STEEL FRAME - FIELD/TRIM PACKAGE".

## Repairs

### Light Scratches

- Feather the scratch to bare metal with #300 emery cloth or #240 grit sandpaper
- Spray paint with Therma-Tru primer.

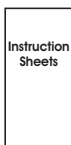
### Deep Scratches

- Sand to bare metal with #80 emery cloth.
- Apply an automotive body filler following manufacturer's directions.
- After the filler has cured, sand smooth.
- Spray paint with Therma-Tru primer.

**THERMA TRU**  
DOORS

*The Most Preferred Brand in the Business™*

**Site  
Installation  
Instructions  
for  
Adjusta-Fit®  
Adjusta-Trim®**



Read all directions carefully before installing your new Therma-Tru Steel Frame Door System.

Please note that there are separate "Prehanging Instructions" to be reviewed and followed prior to completing the installation.



**CODES**  
Building codes vary from area to area. If a fire rating is required of the door and opening being framed, the installer must use installation materials and methods to satisfy the authority having jurisdiction. Therma-Tru provides labeled products, but bears no responsibility for installation.

**Therma-Tru Positive Pressure  
(UBC 7-2-97/UL 10C/NFPA 252)  
Labeled Systems**

This Therma-Tru door has been labeled in compliance with UL10C & UBC 7-2 1997 (Positive Pressure) and does not require the application of an additional edge sealing system. To maintain the validity of this certification, the door installer must follow these instructions. They should be kept on file on the building premises for verification by the authority having jurisdiction.

- Verify that the frame is compatible with the door and properly installed.
- Install hardware per the hardware manufacturer's instructions.
- For smoke rating, a listed and labeled category "H" Smoke and Draft control gasket shall be installed to the opening. Category "H" Smoke and Draft control gaskets shall be "listed" for compliance with test procedure UBC Standard 7-2-1997, Parts I and II.
- Installation must comply with requirements of NFPA 80 "Standard for Fire Doors and Fire Windows"
- A maximum of 1/8" clearance between frame and door is allowed.
- Surface mounted hardware must be attached with through bolts unless interior blocking is provided.
- Doors shall be installed in minimum 18-gauge standard or adjustable steel frames with kerfs.
- Compression weather-strip shall be installed in the header and jambs of the frame.
- If closure block reinforcement is not

**THERMA TRU**  
DOORS

*The Most Preferred Brand in the Business™*

1750 Indian Wood Circle Maumee, Ohio 43537  
1-800-Therma-Tru (843-7628)  
www.thermatru.com

© Copyright 2002 Therma-Tru Corp. 1/2007 Part # MSLCMFIST

# Adjusta-Fit/Adjusta-Trim Site Installation Instructions

## TOOLS REQUIRED

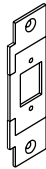
Drill with Phillips Driver Bit  
Shims  
Caulk Gun and Caulk

## OPTIONAL COMPONENTS

(Supplied Separately)

### LOCK PLATE BACKERS

#### Passage Locks:

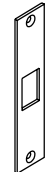


T-Strike  
Adapter Plate



Blank for  
RIM Hardware

#### Deadbolt Locks:



5 1/2"  
Center to Center  
Insert



4" or 7"  
Center to Center  
Insert

## PAINING FRAME AND DOOR

- DOOR PREP: Brush or sponge off dirt. Wipe dry.
- FRAME PREP: Wet-clean with mild abrasive cleaner. Rinse completely and wipe dry.
- Paint the door in an open position.
- Use a high quality exterior house paint to finish the frame and door when the temperature is above 50°F and humidity is below 90%.
- DO NOT paint weatherstrip. (It can be temporarily removed for painting.)
- DO NOT close door until the paint is completely dry.

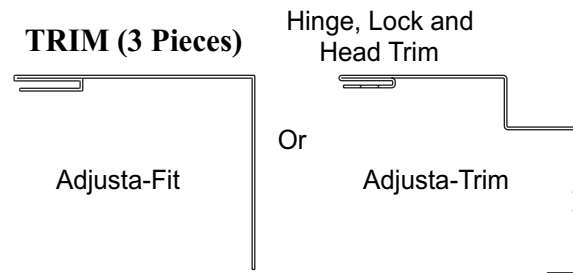
*For information on where to purchase  
Therma-Tru entry door systems,  
call 1-800-537-8827*

## Parts List and Description

(Note: Not all Items are included with every option.)

### JOB SITE COMPONENTS

#### TRIM (3 Pieces)



#### SILL EXTENDER



#### HARDWARE

##### Installation Instructions

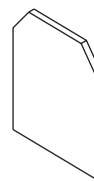
##### Passage Lock Plate

An adapter plate for a full lipped strike plate is included as a standard item in the frame package hardware kit. Other options are available separately.

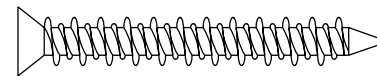


##### Deadbolt Lock Plate

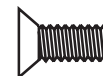
The standard frame comes with a deadbolt blank for no deadbolt. Deadbolt adapter plates are available separately.



(2) Jamb seal pads

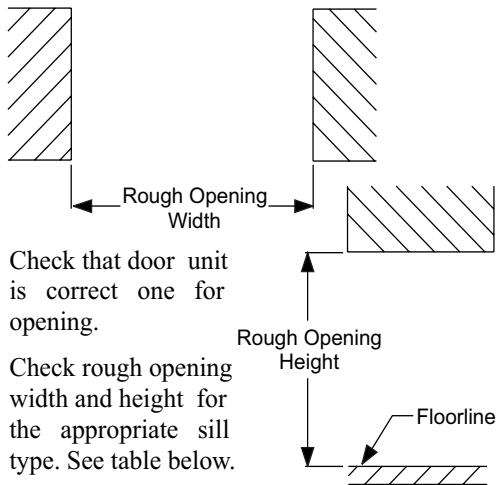


(10) #10 x 2" Phillips flathead screws,



(4) #12-24 x 1 / 2" Self tapping Screw

## 1 CHECK ROUGH OPENING SIZE.



Check that door unit is correct one for opening.

Check rough opening width and height for the appropriate sill type. See table below.

If additional carpet clearance is required, the necessary full shim under the sill will change the rough opening height accordingly.

Sill Type	Rough Opening Height		Rough Opening Width	
	6/8	7/0	Door	Opening
Inswing/Outswing	80-3/4"	84-1/4"	2/6	31"
Public Access	80-1/8"	83-5/8"	2/8	33"
No Sill	79-3/4"	83-3/4"	3/0	37"

## 2 CHECK ROUGH OPENING FOR ACCURACY.

**WARNING: It is critical for proper fit and operation that the rough opening is correct**

Is subfloor level?

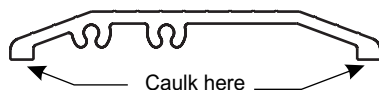
Are walls plumb with jambs?

Are studs or door bucks plumb?

If problems exist, fix the problem.

## 3 UNITS WITH PUBLIC ACCESS SILLS, CAULK BOTTOM OF SILL.

For public access sills, apply caulk along entire length of sill as shown.



## 4 CENTER UNIT IN OPENING AND FASTEN FLANGES TO WALL.

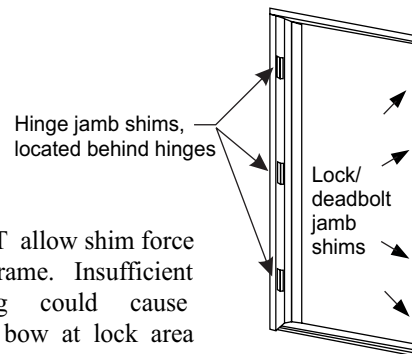
Place unit on correct side of opening. Do not remove "L" bracket until door is in place, plumb and shimmed. Center unit in rough opening and set flanges flush and plumb against wall. Nail or screw flanges to wall through punched holes at perimeter.

**For jambs exposed to weather: caulk entire perimeter on underneath side of nailing flange.**

If problems exist, fix the problems.

## 5 LOCATE AND SECURE SHIMS BETWEEN WALL AND FRAME.

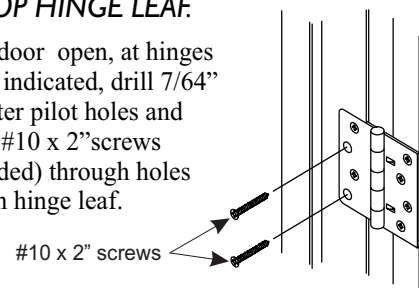
Keeping door closed, carefully shim between wall and frame. Shim hinge jamb behind hinges and the lock jamb as indicated in the figure below to plumb and level the door. Remove "L" bracket from door.



DO NOT allow shim force to twist frame. Insufficient shimming could cause jamb to bow at lock area allowing door to come open during a fire.

## 6 DRIVE SECURITY SCREWS INTO TOP HINGE LEAF.

With door open, at hinges where indicated, drill 7/64" diameter pilot holes and fasten #10 x 2" screws (provided) through holes in each hinge leaf.



# Adjusta-Fit/Adjusta-Trim Site Installation Instructions

**THERMA TRU**  
DOORS

Installation  
Instructions

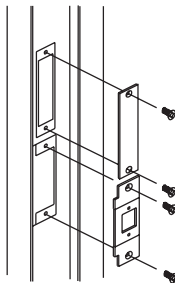
## 7 FASTEN LOCK JAMB TO WALL

Secure lock jamb to stud through countersunk holes and shims using the provided #10 x 2" wood screws.

Close the door and finish securing the face of the frame in the remaining countersunk holes.

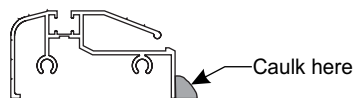
## 8 FASTEN LOCK PLATES TO LOCK JAMB

Fasten passage and deadbolt lock plates to lock jamb with (4) #12 - 24 x 1 / 2" self tapping screws provided.



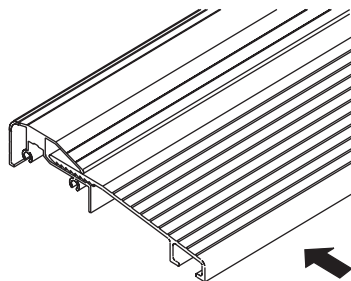
## 9 CAULK ALONG FRONT OF SILL BASE.

Prior to installing extender, apply a bead of caulk along front leg of riser.



## 10 INSERT EXTENDER INTO RISER.

Slip proper width extender into sill base and adjust for wall depth ( $\pm 1 / 2"$ ).



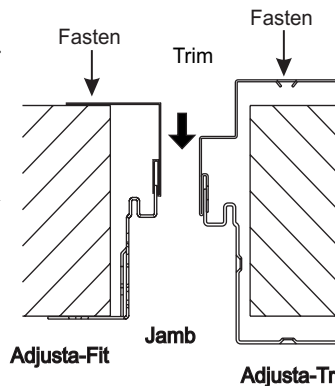
## 11 SLIDE TRIM ONTO JAMBS.



### CAUTION

If insulation is required between the frame and rough opening, insulate before sliding trim onto jamb.

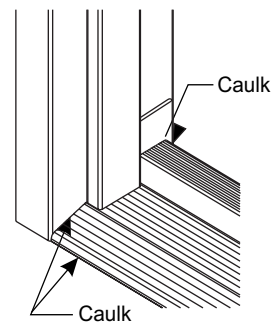
Slide hinge and lock trim on first. Be sure that trim ends are resting on the sill or floor. Next apply head trim. Fasten to wall with nails or screws at punched hole locations.



*For trim exposed to weather: caulk entire perimeter on underneath side of nailing flange.*

## 12 CAULK UNITS EXPOSED TO WEATHER.

Apply a bead of caulk at jamb-sill and trim-sill joints. Also, caulk sill-floor joints. Apply corner seal pads with a bead of caulk at pad - sill joints.



Screw aluminum sill extender to subfloor using #8 x 1 1/4" screws, provided.

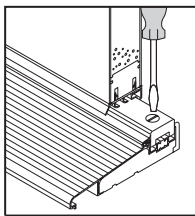
**THERMA TRU**  
DOORS

*The Most Preferred Brand in the Business™*

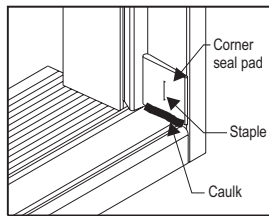
**Adjustable Sill Tape - Adjustment Method**

**PROVIDE ADEQUATE SEALANT UNDER THRESHOLD BEFORE INSTALLING IN OPENING.  
IMPROPER SEALING MAY RESULT IN LEAKAGE UNDER DOOR.**

**IMPORTANT: DO NOT REMOVE THIS LABEL UNTIL CONSTRUCTION IS COMPLETED.  
DO NOT PLUG DRAIN HOLES IF EQUIPPED ON SILL.**



ADJUST RAIL GRADUALLY, TURNING EACH SCREW ONE-HALF TURN SUCCESSIVELY UNTIL PROPER SEALING HEIGHT IS ACHIEVED. DO NOT ADJUST RAIL (INCREASE HEIGHT) MORE THAN ONE-QUARTER INCH. AFTER ADJUSTMENT IN THE FIELD, THE ENDS OF THE RAIL MAY BE SEALED WITH CAULK TO PREVENT CORNER WATER LEAKAGE.



CAULK AND INSTALL CORNER SEAL PADS AFTER FINAL ADJUSTMENT OF RAIL.

THE RAIL SHOULD NOT BE REMOVED FROM THRESHOLD. IF IT BECOMES NECESSARY TO DO SO, THE VINYL SEALING STRIP MUST BE REPLACED AFTER THE RAIL IS REINSTALLED.

USE A MILD (MINERAL SPIRITS) SOLUTION TO REMOVE DEBRIS AND CONSTRUCTION DEPOSITS FROM WOOD RAIL. WIPE RAIL WITH FURNITURE OIL TO RESTORE ORIGINAL FINISH.

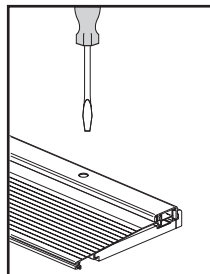
ASSEMBLED IN MEXICO

**H.P. Adjustable Sill Tape - Adjustment Method**

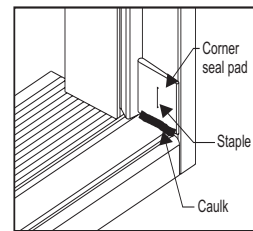
**PROVIDE ADEQUATE SEALANT UNDER THRESHOLD BEFORE INSTALLING IN OPENING.  
IMPROPER SEALING MAY RESULT IN LEAKAGE UNDER DOOR.**

**IMPORTANT: DO NOT REMOVE THIS LABEL UNTIL CONSTRUCTION IS COMPLETED.**

**THERMA TRU**  
DOORS  
*The Most Preferred Brand in the Business™*



REMOVE PLUG WITH A 1/4 TURN OF THE SCREWDRIVER. ADJUST SADDLE GRADUALLY, TURNING EACH SCREW ONE-HALF TURN SUCCESSIVELY UNTIL PROPER SEALING HEIGHT IS ACHIEVED. DO NOT ADJUST SADDLE (INCREASE HEIGHT) MORE THAN ONE-QUARTER INCH. AFTER ADJUSTMENT IN THE FIELD, THE ENDS OF THE SADDLE MAY BE SEALED WITH CAULK TO PREVENT CORNER WATER LEAKAGE. CAULK AND INSTALL CORNER SEAL PADS AFTER FINAL ADJUSTMENT OF SADDLE.



PATENT # 6,345,477

ASSEMBLED IN MEXICO

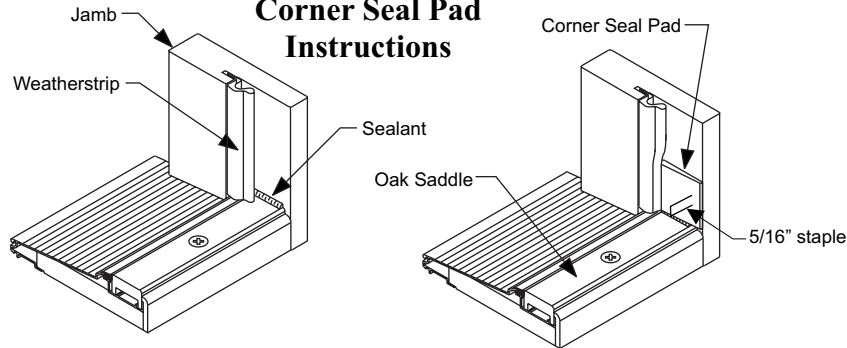
## Sill Instructions

Installation  
Instructions

### Corner Seal Pad Instructions

**THERMA TRU**  
The Most Preferred Brand in the Business

#### Corner Seal Pad Instructions



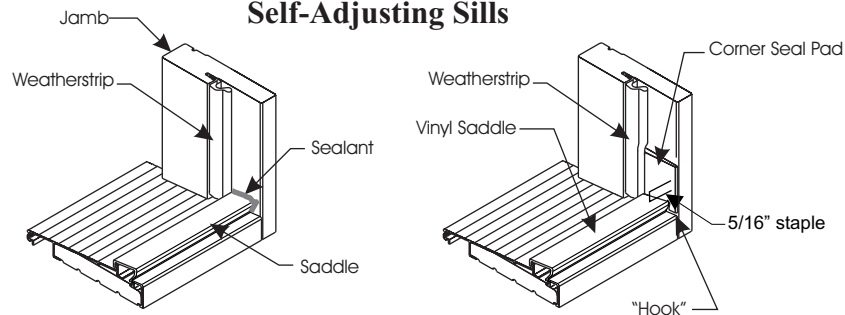
1. Adjust oak saddle to desired height to ensure proper seal and door function.
2. Place a 1/4" bead of sealant (recommend clear silicone) at corners where oak saddle meets side jambs.

3. Remove paper backing from corner seal pad and position pad tight to the saddle and in line with edge of jamb. Tuck pad behind the weatherstrip.

NOTE: If further adjustment is required, the following steps must be repeated on both jamb sides to prevent air, light, and water infiltration.

**THERMA TRU**  
The Most Preferred Brand in the Business

#### Corner Seal Pad Instructions Self-Adjusting Sills



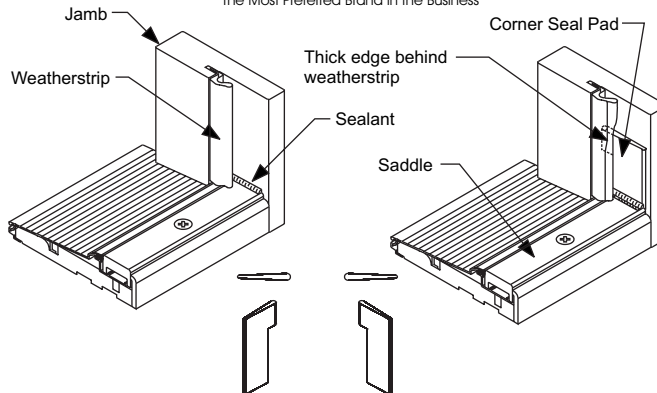
1. Place a 1/4" bead of sealant (recommend clear silicone) at corners where saddle meets side jambs.

2. Remove paper backing from corner seal pad and position pad tight to the saddle, tucking behind weatherstrip and in line with edge of jamb. Place "hook" over inside edge as shown.

NOTE: Corner seal pads are handed.

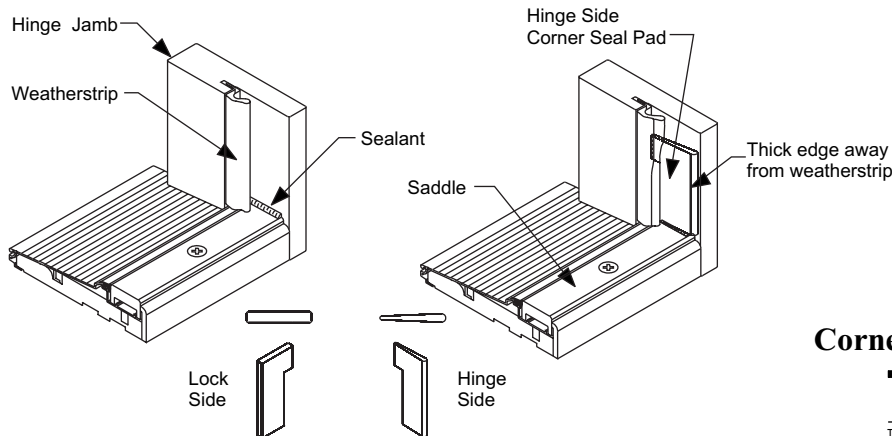
MSCSPSA

**Tru-Defense  
Fiber-Classic/Smooth-Star  
Corner Seal Pad Instructions**



1. When saddle is adjustable, adjust saddle to desired height to ensure proper seal and door function.
  2. Place a 1/4" bead of sealant at corners where saddle meets side jambs.
  3. Remove paper backing from corner seal pad and position pad tight to the saddle and centered on the saddle. Tuck top of pad to the back of weatherstrip.
- Note:** If further adjustment is required, the following steps must be repeated on both jamb sides to prevent air, light and water infiltration.

PART #: TDSILLINST REV. A



**Tru-Defense  
Classic-Classic  
Corner Seal Pad Instructions**



1. When saddle is adjustable, adjust saddle to desired height to ensure proper seal and door function.
  2. Place a 1/4" bead of sealant at corners where saddle meets side jambs.
  3. Remove paper backing from corner seal pad and position pad tight to the saddle and centered on the saddle. Tuck top of pad to the back of weatherstrip.
- Note:** Use correct corner pad for either lock or hinge side as shown above. If further adjustment of the saddle is required, the following steps must be repeated on both jamb sides to prevent air, light and water infiltration.

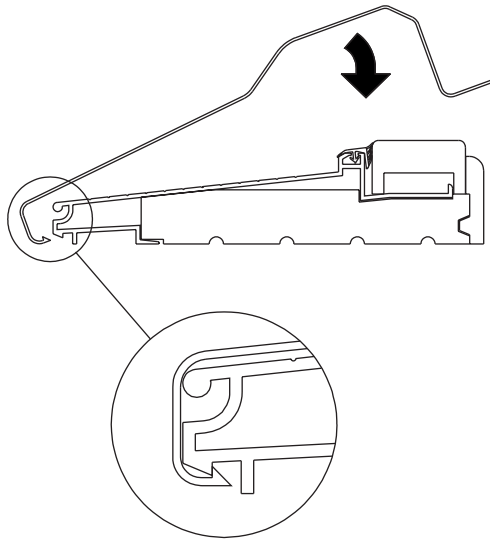
PART #: TDSILLINST REV. A

## Sill Instructions

### Adjustable Sill Cover Instructions

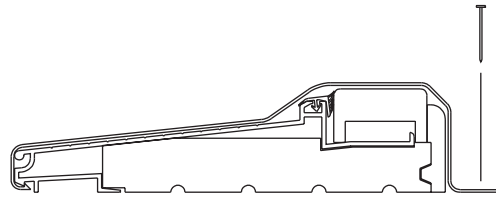


### Adjustable Sill Cover Instructions



1. Adjust oak saddle completely down if not already done.
2. Position cover and hook onto sill.
3. Tack down cover.

NOTE: Be sure to remove sill cover before any type of floor covering is installed

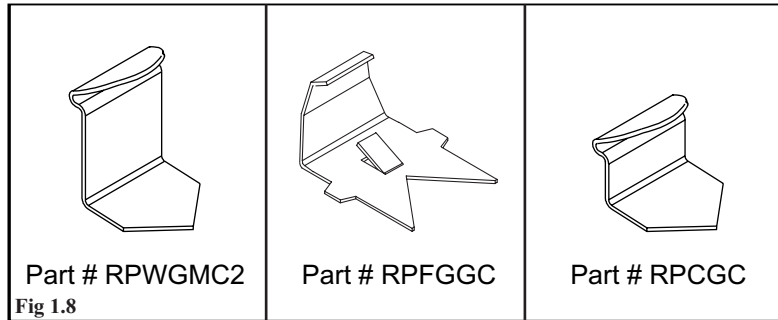


**This page intentionally left blank.**

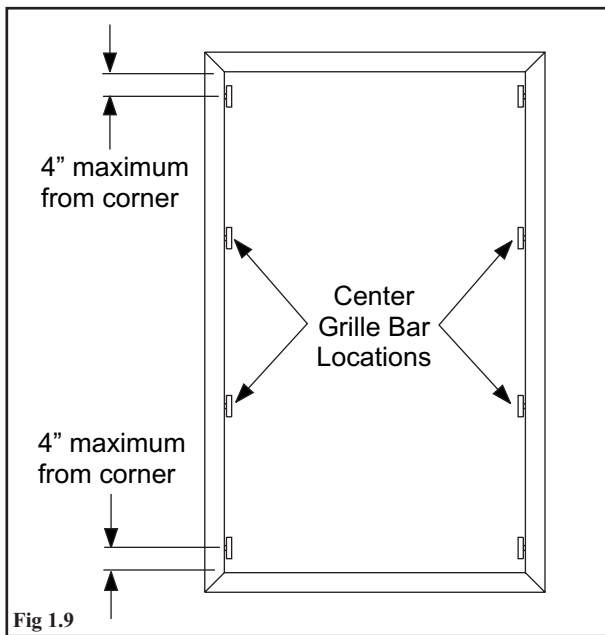
# Grille Installation Instructions

Installation  
Instructions

Grilles come complete with clips.



SPRING STEEL CLIPS



### Position Clips

Locate clips on vertical sides of frames  
4" maximum from each corner and at  
center grille bar locations.

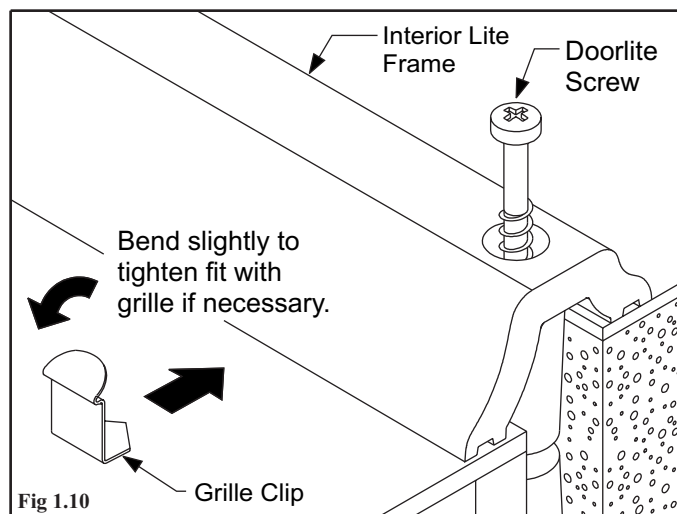
### Installation for Lite Frames

#### Install Clips

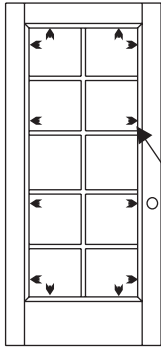
Loosen doorlite screws slightly.

Slide flat side of clips under  
interior side of doorlite frame.

Retighten screws.



## Installation for Flush-Glazed Doors



To assure proper installation, carefully remove any excess sealant at glass edge before installing grille clips.

Insert steel spring clips between stop and glass at the locations shown. **AVOID PUTTING CLIPS IN LINE WITH MUNTINS HORIZONTAL AND VERTICAL GRILLE BARS.** (Note: number of clips may vary from shown due to grille size and door style.)

Push the clip completely into the locked position.

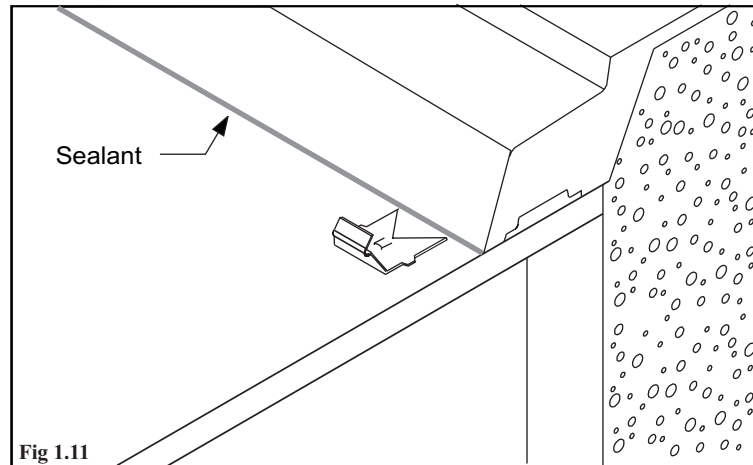


Fig 1.11

Section Cut for Clarity

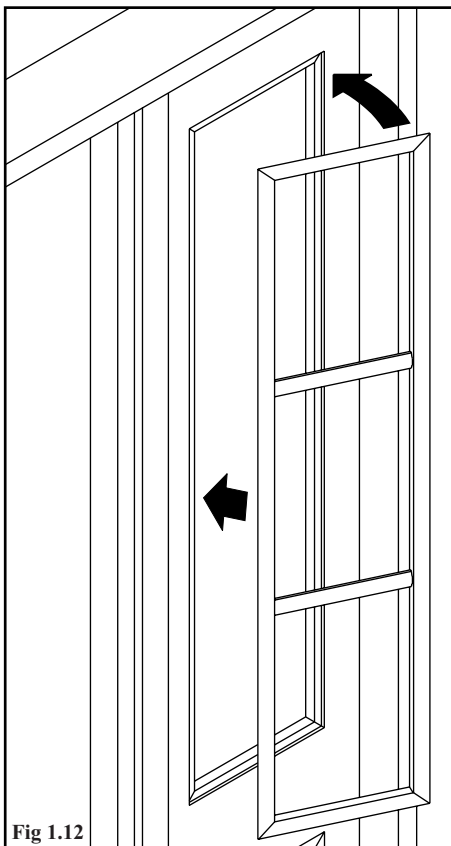


Fig 1.12

With all the clips installed, insert grille against clips on one side. Gently push opposite side of grille against glass, locking all clips into frame. Remember to gently press the top and bottom of the grille against the glass.

Clips will be hidden when grille is inserted.

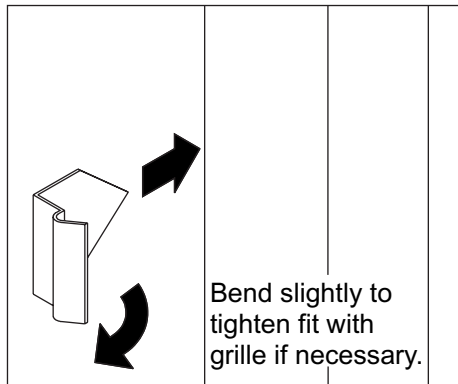
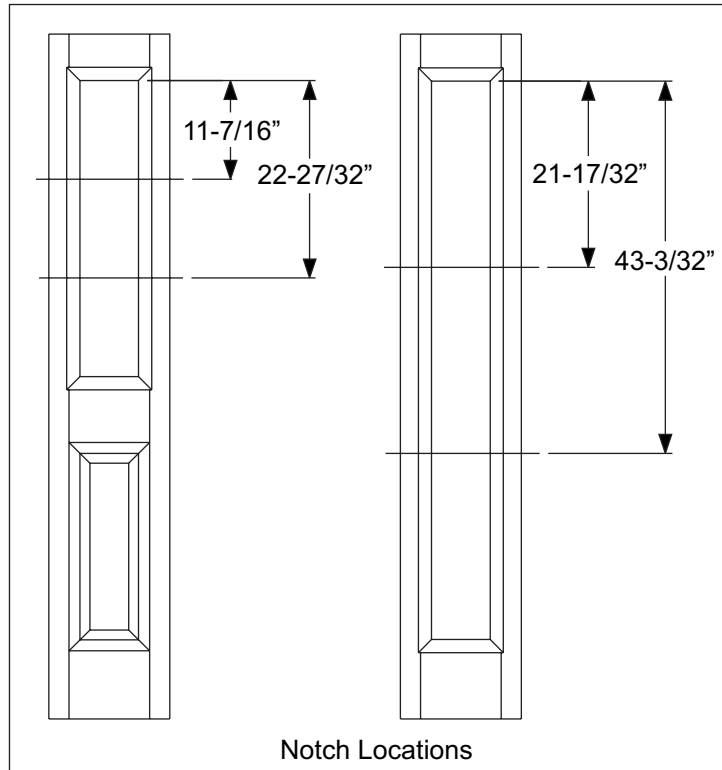
To remove, gently pull away from the glass surface at one long side of the grille where the muntins meet the grille frame.

# Grille Installation Instructions

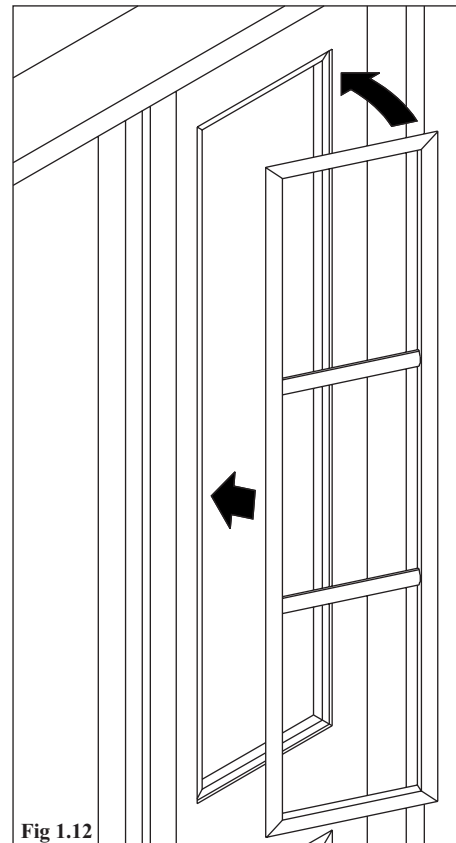
Installation  
Instructions

## Installation for Flush-Glazed Classic-Craft®

Locate grille clips under molding edges where molding meets glass.



Insert grille clips by sliding in spade edge of clip under molding and press clip all the way in.



Insert grille into door, placing one long side against hardware.

Snap into place along all other sides.

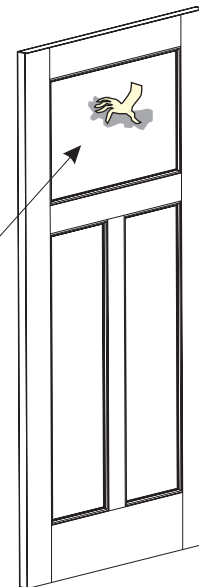
**NOTE: TEMPERATURE RANGE FOR OPTIMUM TAPE ADHESION IS 70° TO 100°F. MINIMUM SUGGESTED APPLICATION TEMPERATURE IS 60°F. THE DOOR AND LITE DIVIDER ARE TO BE IN THIS TEMPERATURE RANGE. ALLOW 72 HOURS FOR FULL BOND STRENGTH ON TAPE.**

1. Moisten a clean cloth with 70% Isopropyl Alcohol. Wipe both sides of glass as shown. Allow to dry.

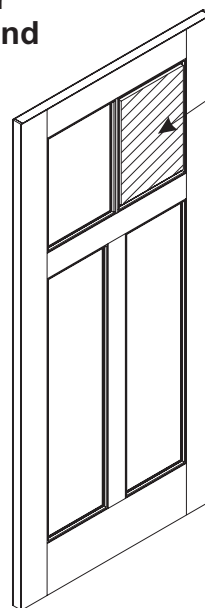
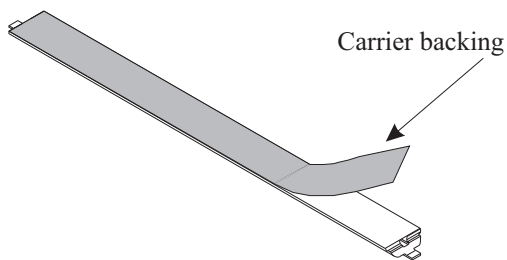


**NOT PREPARING DOOR WILL RESULT IN POOR TAPE ADHESION.**

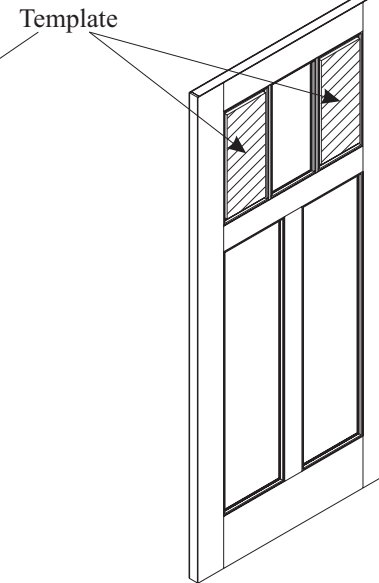
Wipe glass area as shown



2. Position the template into the lite opening as shown. Make sure the template is in the correct position. Remove the carrier backing from the lite divider. Place the divider along the edge of the template and press firmly.



Template Part Number:  
TPA2618LD2-P



Template Part Number:  
TPA2618LD3-P

3. Complete the same installation steps for the other side of the door.

## Shop Installation Instructions for Dentil Shelf Attachment

The following instructions should be completed in the door shop or at the job site. Check to see that the shelf shop pack is included with this unit. The pack contains all the necessary hardware and fasteners needed to complete this installation.

*Read all instructions before starting.*

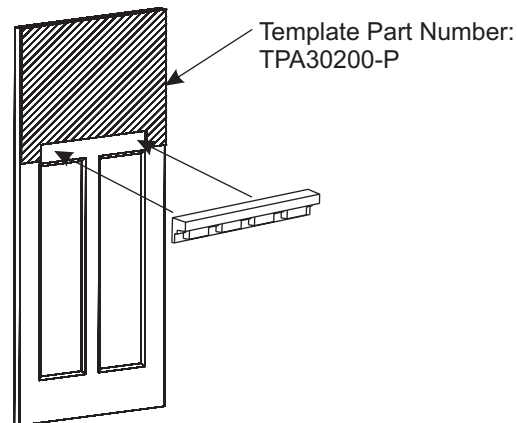
**THERMA TRU**  
DOORS

*The Most Preferred Brand in the Business™*

Part Number: MACCASHELFINST

### 1 APPLY LOCATING TEMPLATE TO DOOR

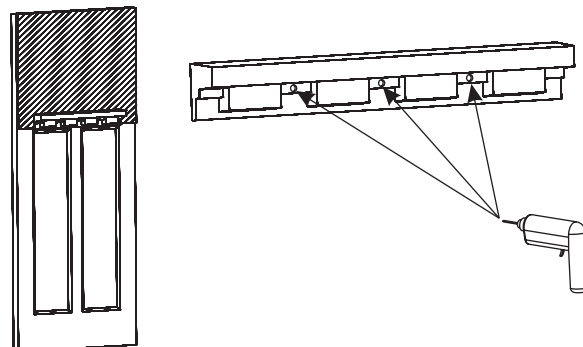
Apply shelf locating template to door slab. Align all three sides of the template to ensure it is squared up with the door. Hold template down with clamps if needed.



### 2 DRILL PILOT HOLES

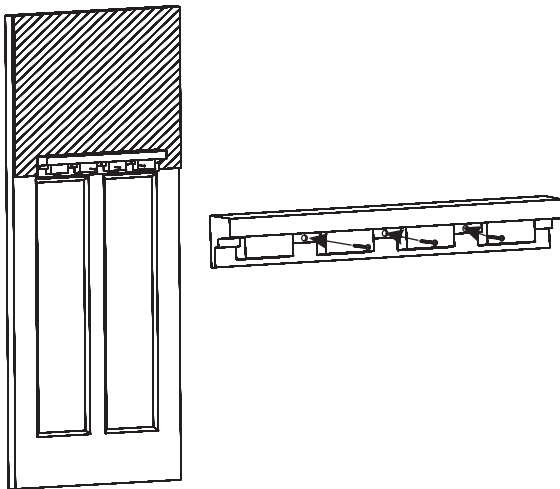
After getting shelf aligned with the template, drill pilot holes with 1/8" drill bit at all three attachment locations into wood block on inside of the door.

Holes to be approximately 1/4" to 1/2" in depth. CAUTION: DO NOT DRILL THROUGH ENTIRE DOOR.



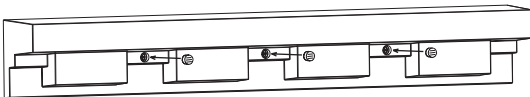
**3** FASTEN SHELF TO DOOR

Fasten three screws into door at screw boss locations until shelf becomes tight with door. DO NOT OVER TIGHTEN.



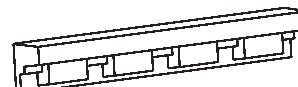
**4** INSERT PLUGS

Align grain and insert plugs into holes. Press until plug is flush with shelf surface.

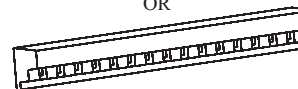


**DISCLAIMER: SHELF IS NOT INTENDED TO HOLD ANY OBJECTS OR WEIGHT.**

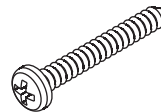
**Shelf Installation Components**



OR



**Dentil Shelf**  
CCADS04 OR CCADS16



**Shelf Screw**  
(3) #10 x 1-1/2"  
Phillips Pan Head



**Shelf Plug**  
(3) Plugs  
CCAPLUG

**THERMA-TRU®**  
DOORS

*The Most Preferred Brand in the Business™*

1750 Indian Wood Circle  
Maumee, Ohio 43537  
419-891-7400

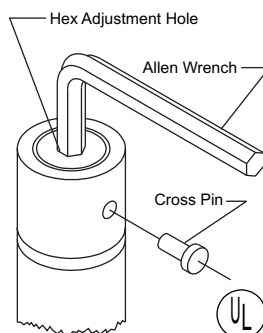
Therma-Tru is a registered trademark of Therma-Tru Corp.  
© 2005 Therma-Tru Corp.

## Spring Hinge Instructions

### Installation Instructions for Adjustable Tension Spring Hinge

Use 3-1/2" spring hinge for 1-3/8" thick doors, maximum 2'8" wide x 7' high.  
Use 4" or 4-1/2" spring hinges for 1-3/4" thick doors, maximum 3' wide x 7' high.  
Doors over 5' high require three hinges. At least two of the three must be spring hinges. The maximum door size and number of spring hinges required are based on limits set forth in code 80 of the National Fire Protection Agency. For maximum versatility use all spring hinges.

Always turn allen wrench to the left (clockwise), regardless of right-hand or left-hand applications.



**Installation:** Mount hinge adjustment end up, as shown for left-hand and in the bottom for right-hand. **Leaf with "UL" logo fastens to jamb.**

1. Place door in closed position. Insert allen wrench in hex adjustment hole as shown.
2. Turn allen wrench **left** (clockwise) to desired spring tension. Observe **caution** below.
3. Insert cross pin when holes in center stud and hinge knuckle line up. Slowly release pressure on allen wrench.
4. Remove allen wrench and test closing action of door. Repeat steps 1-4, if necessary, to increase spring tension.
5. To make tension adjustment tamperproof, snip off cross pin at break-away head. Do not remove head if future adjustment may be needed.

**Note:** Adjust spring hinges to **minimum** tension required to close the door. Overtensioning will reduce spring life.

**Caution:** Do not exceed three holes of tension for doors opening 180°. Do not exceed four holes of tension for doors opening 90°.

I00059

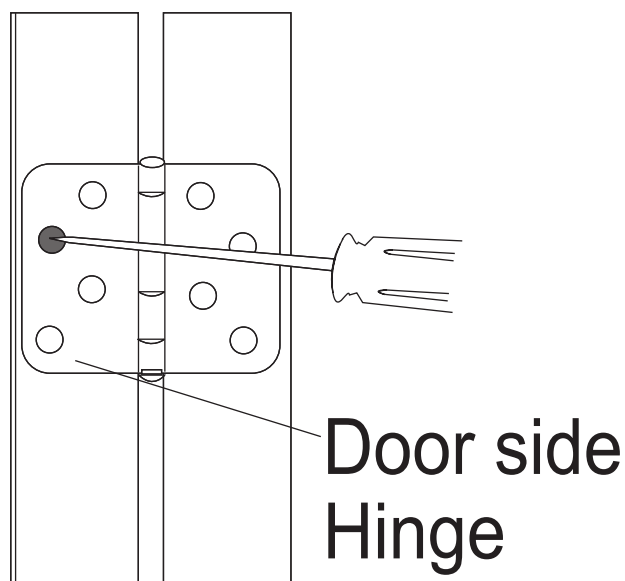
## THERMA-TRU ProEdge

### Adjusting Instructions

Check for proper door fit and operation (check latching, sealing, etc.) And determine where adjustment is required.

Mark on the door edge and hinge for a reference point (on three sides of hinge). Adjustment will be from that mark.

Now loosen door side hinge screws as described below.



◦ **For up and down adjustment-**  
loosen screws in all three hinges. ( A pry bar is helpful to lift the door, but be careful not to damage the door bottom or weatherstrip.)

◦ **For top in and out adjustment-**  
loosen screws in the top and center hinges.

◦ **For bottom in and out adjustment-**  
loosen screws in the center and bottom hinges.

When adjustment is complete, tighten all loosened hinge screws.

Check for correct door fit and operation.

Repeat above if further adjustment is needed.

**This page intentionally left blank.**