

Jambs ----- 9.3

Mullions ----- 9.11

Astragals ----- 9.16

Brickmould ----- 9.24

Cove Molding ----- 9.26

Mull Casing ----- 9.27

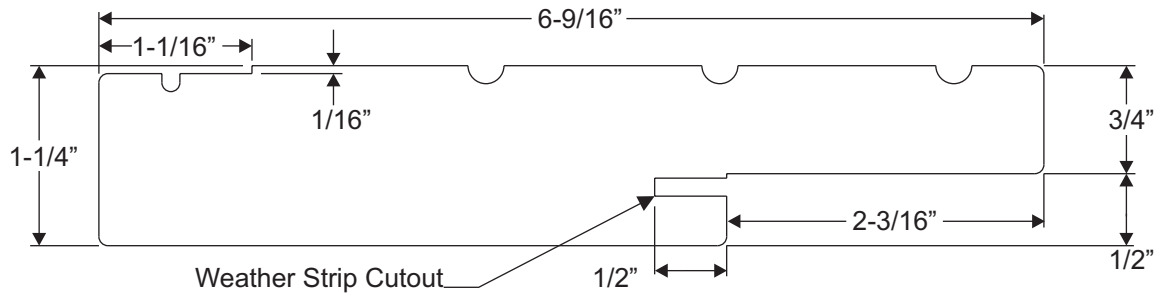
Direct Set Sidelite ----- 9.28

Split-Jamb - Inswing ----- 9.29

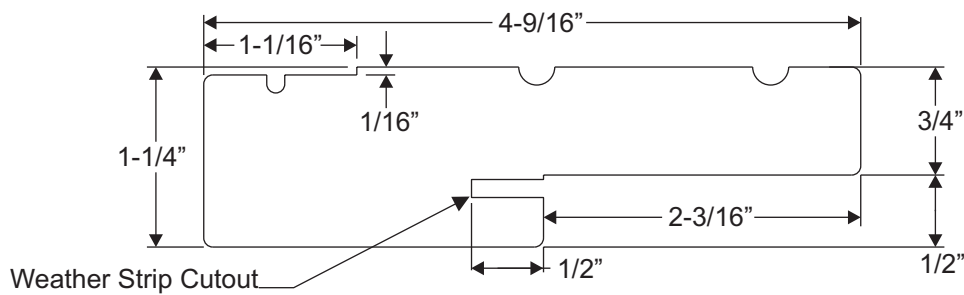
Split-Jamb - Public Access -- Inswing/Outswing -- 9.30

Split-Jamb - No Sill ----- 9.31

FRAME PARTS

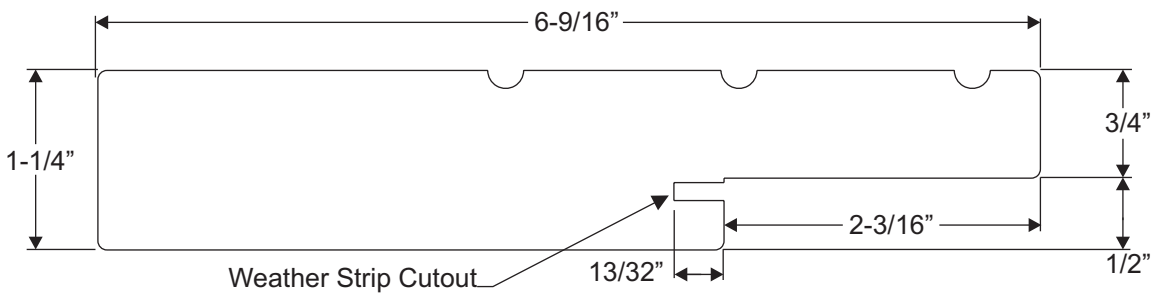


6-9/16" Pine, and Framesaver Jambs

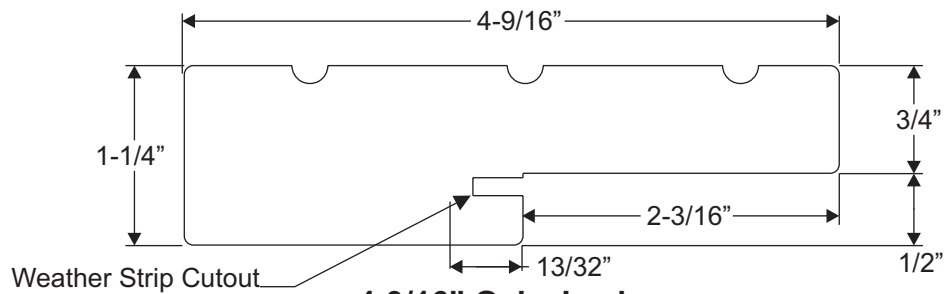


4-9/16" Pine, and Framesaver Jambs

FRAME PARTS



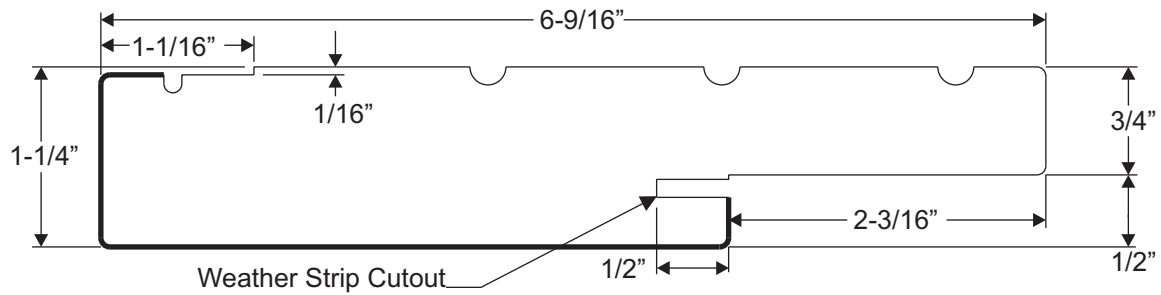
6-9/16" Oak Jamb



4-9/16" Oak Jambs

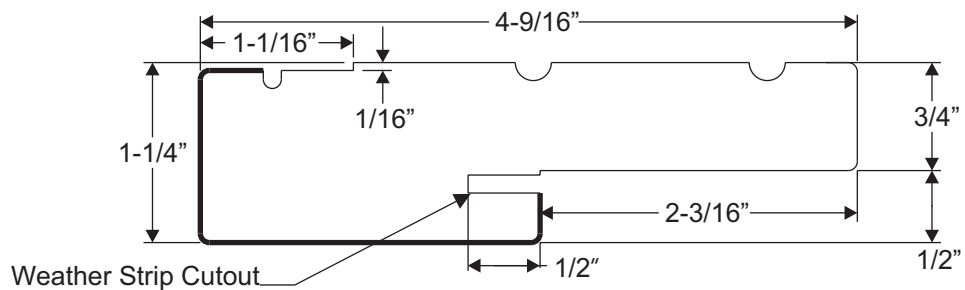
NOTE: The wood component dimensions shown here are for reference only. To purchase wood parts directly from millwork manufacturers, use only current Thermo-Tru detailed drawings and specifications. To obtain copies, contact your Thermo-Tru sales representative.

Clad Wood Jambs



6-9/16" Clad Jamb

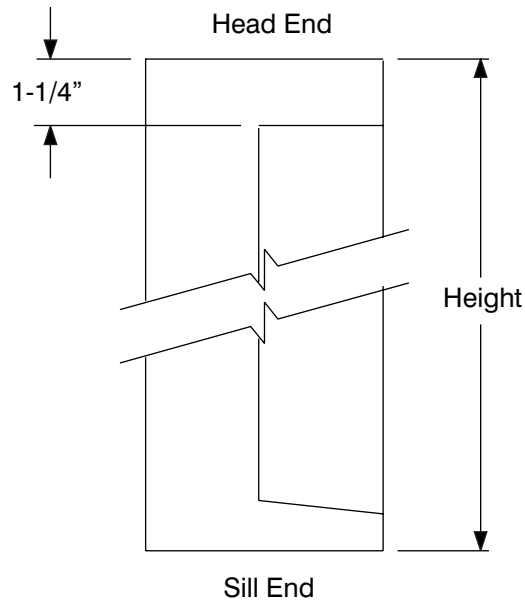
FRAME PARTS



4-9/16" Clad Jamb

NOTE: The wood component dimensions shown here are for reference only. To purchase wood parts directly from millwork manufacturers, use only current Therma-Tru detailed drawings and specifications. To obtain copies, contact your Therma-Tru sales representative.

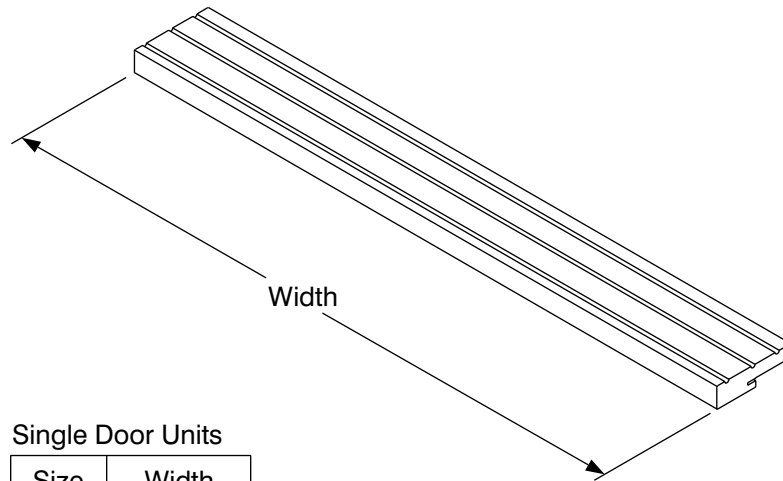
Side Jambs



Size	Height	Head Gain
6/8 Standard	82-1/32"	1-1/4"
7/0 Standard	86-1/32"	1-1/4"
8/0 Standard	98-1/32"	1-1/4"
3/0 6/8 Arch	76-9/32"	1-9/16"
3/0 8/0 Arch	92-9/32"	1-9/16"
3/6 8/0 Arch	95-17/32"	1-31/64"
3/0 6/8 Radius	62-13/64"	1-21/32"
3/0 8/0 Radius	78-13/64"	1-21/32"
3/6 8/0 Radius	75-13/64"	1-21/32"

FRAME PARTS

Head Jamb



Continuous Sill Units

Size	Width
2/8 - (1) 12" SL	45-5/32"
2/8 - (1) 14" SL	47-5/32"
3/0 - (1) 12" SL	49-5/32"
3/0 - (1) 14" SL	51-5/32"
3/0 - (2) 12" SL	62-5/32"
3/0 - (2) 14" SL	66-5/32"

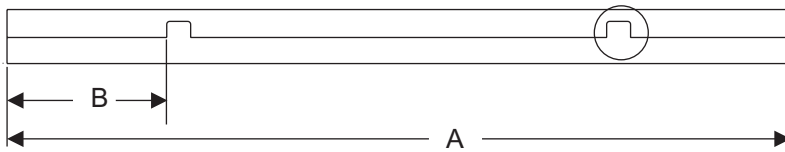
Single Door Units

Size	Width
12" SL	12"
14" SL	14"
2/6	30-5/32"
2/8	32-5/32"
2/10	34-5/32"
3/0	36-5/32"
3/6	42-5/32"

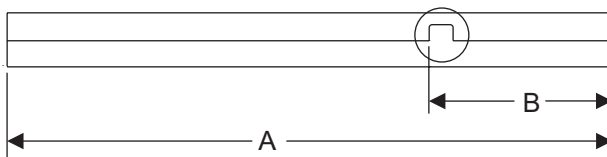
Double Door Units

Size	Width
5/0	61-1/16"
5/4	65-1/16"
5/8	69-1/16"
6/0	73-1/16"

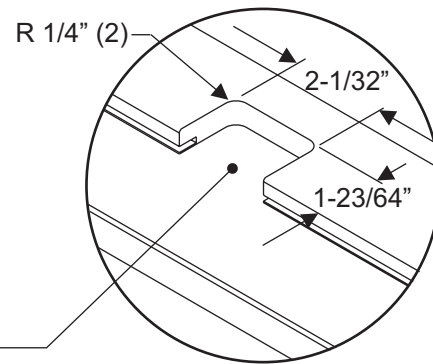
Head Jamb



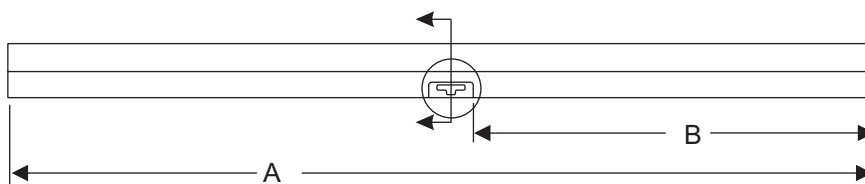
Continuous 2-Sidelite Mullion System		
Size	"A" Dim	"B" Dim
3/0 - (2) 12" SL	62-5/32"	11-1/2"
3/0 - (2) 14" SL	66-5/32"	13-1/2"
2/8 - (2) 12" SL	58-5/32"	11-1/2"
2/8 - (2) 14" SL	62-5/32"	13-1/2"



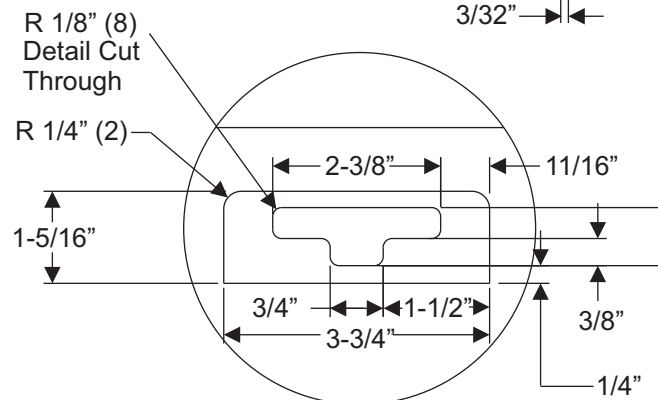
Continuous 1-Sidelite Mullion System		
Size	"A" Dim	"B" Dim
2/8 - (1) 12" SL	45-5/32"	11-1/2"
2/8 - (1) 14" SL	47-5/32"	13-1/2"
3/0 - (1) 12" SL	49-5/32"	11-1/2"
3/0 - (1) 14" SL	51-5/32"	13-1/2"



FRAME PARTS

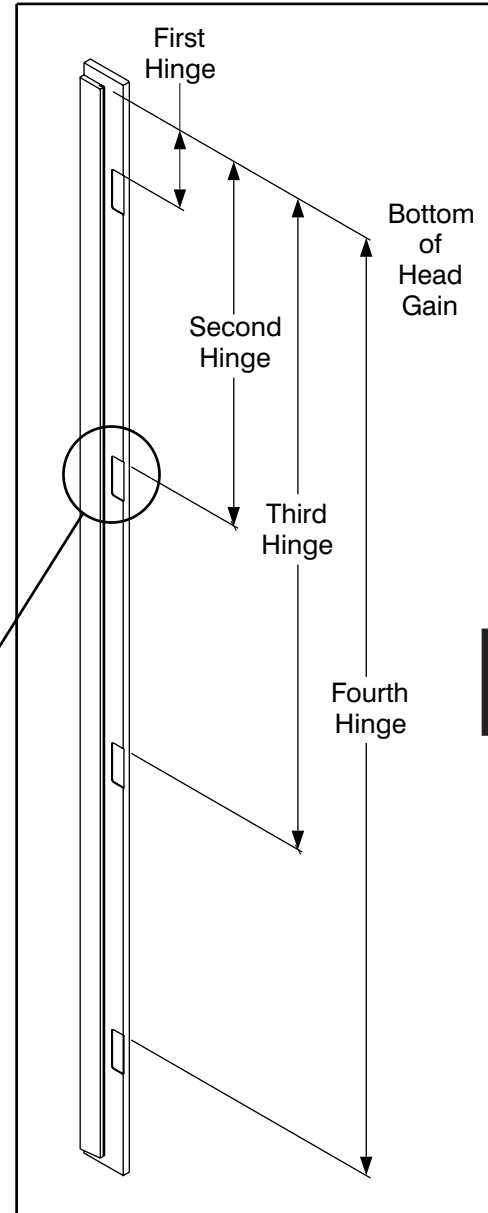


Double Door - Astragal System		
Size	"A" Dim	"B" Dim
5/0 LH	61-1/16"	29-35/64"
5/4 LH	65-1/16"	31-35/64"
5/8 LH	69-1/16"	33-35/64"
6/0 LH	73-1/16"	35-35/64"
5/0 RH	61-1/16"	27-3/4"
5/4 RH	65-1/16"	29-3/4"
5/8 RH	69-1/16"	31-3/4"
6/0 RH	73-1/16"	33-3/4"

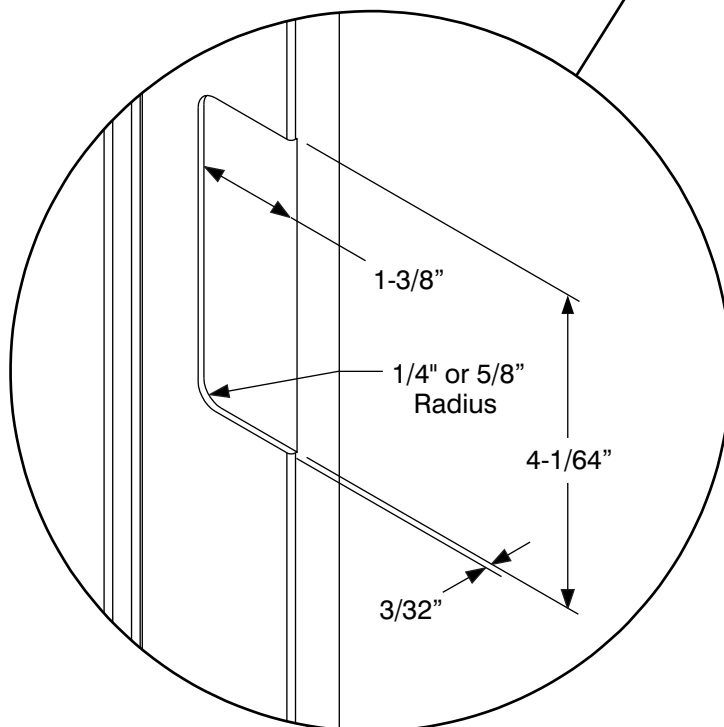


Hinge Mortise Locations

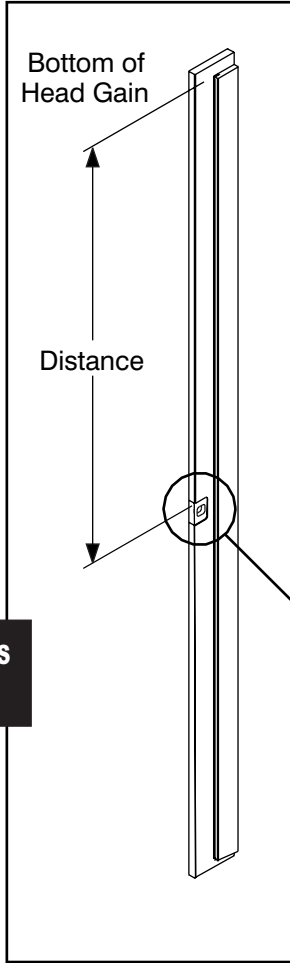
Door Slab	First Hinge	Second Hinge	Third Hinge	Fourth Hinge
6/8 Standard 7/0 Standard	7-61/64"	37-13/64"	66-29/64"	N/A
8/0 Standard	4-55/64"	30-23/64"	55-55/64"	81-23/64"
3/0 6/8 Radius	1-21/32"	24-25/32"	47-29/32"	N/A
3/0 6/8 Arch	7-7/64"	34-35/64"	61-63/64"	N/A
3/0 8/0 Radius	1-21/32"	22-1/32"	42-13/32"	62-25/32"
3/0 8/0 Arch	7-1/8"	30-3/8"	53-5/8"	76-7/8"
3/6 8/0 Radius	1-21/32"	21-1/32"	40-13/32"	59-25/32"
3/6 8/0 Arch	7-3/8"	30-5/8"	53-7/8"	77-1/8"



FRAME PARTS



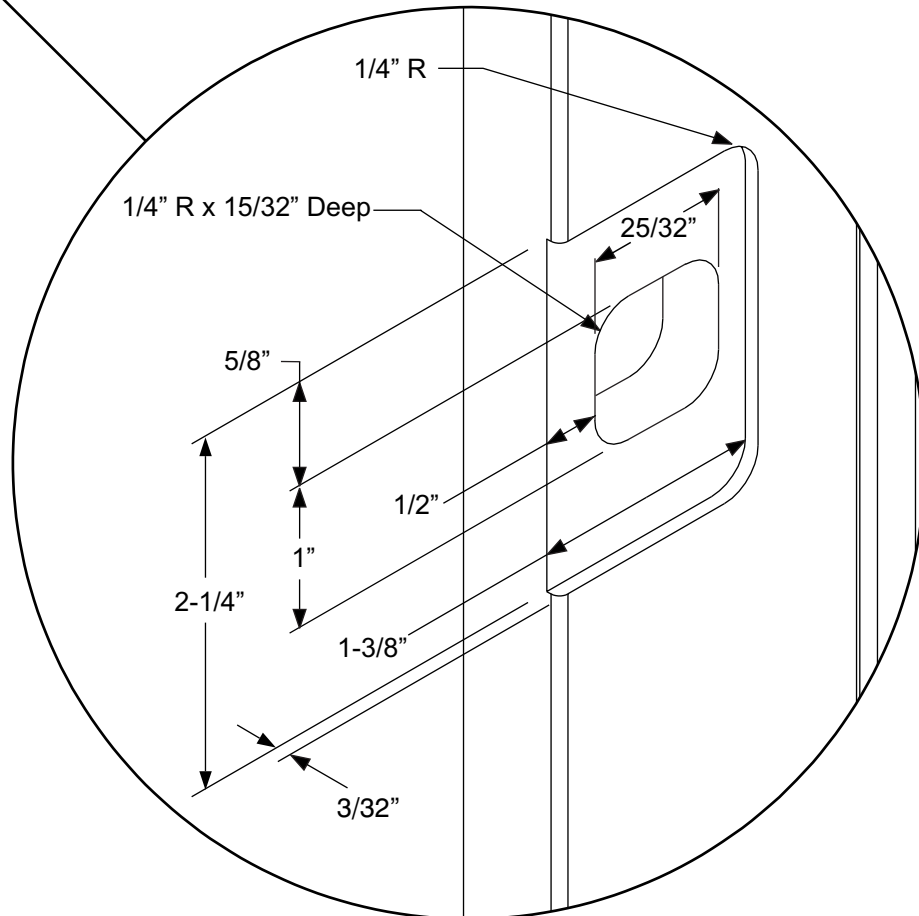
The last 4-3/4" of bottom of Framesaver jamb is composite material.



**Standard Lock -
Lock Mortise Locations**

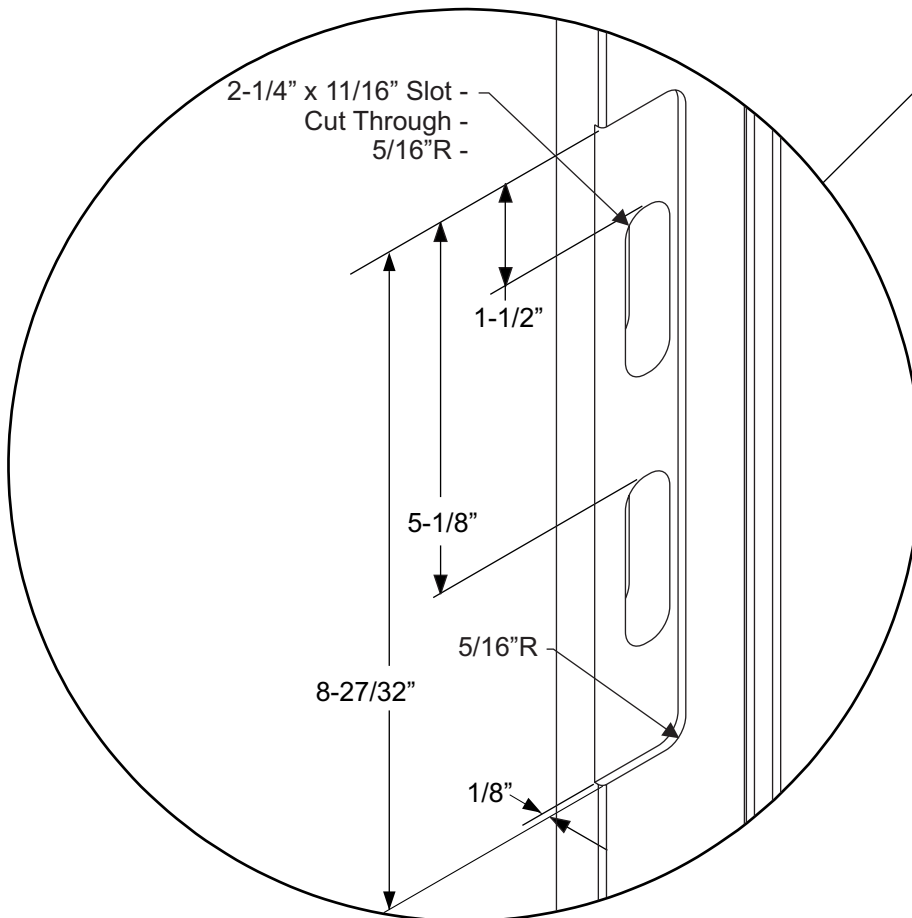
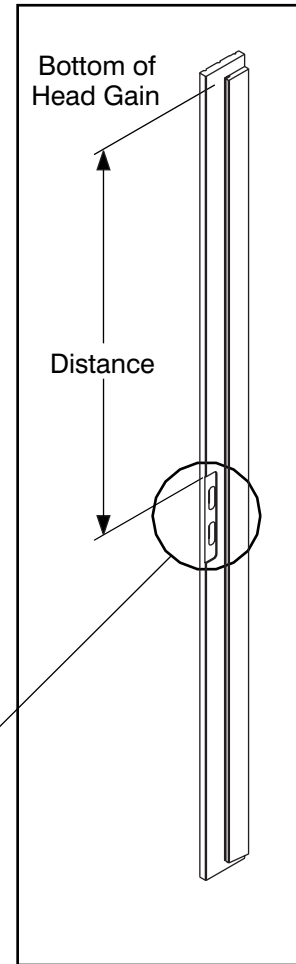
Door Slab	Distance
6/8 Standard	42-15/32"
7/0 Standard	46-15/32"
8/0 Standard	58-15/32"
3/0 6/8 Arch	39-5/64"
3/0 8/0 Arch	55-3/32"
3/6 8/0 Arch	55-11/32"
3/0 6/8 Radius	25"
3/0 8/0 Radius	41-1/64"
3/6 8/0 Radius	38-1/64"

FRAME PARTS



**Manual Shootbolt & Variable Height
- Side Jamb Lock Mortise Locations**

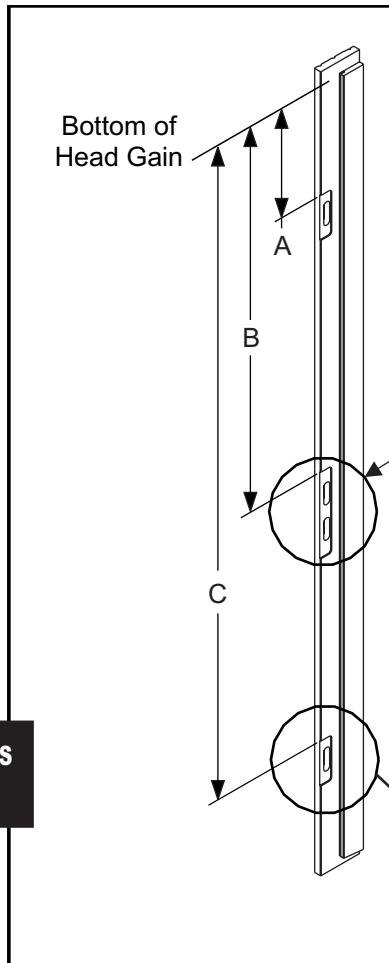
Door Slab	Distance
6/8 Standard	39-39/64"
7/0 Standard	43-39/64"
8/0 Standard	55-39/64"



Jambs

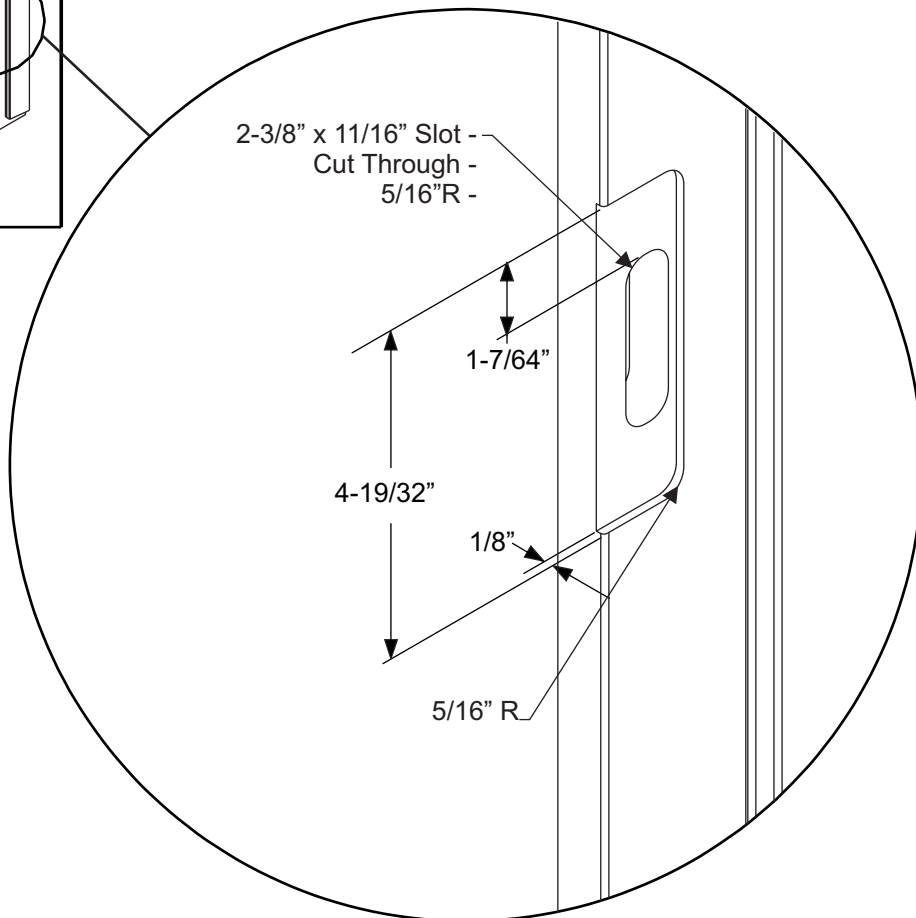
**Manual Tongue - Side Jamb
Lock Mortise Locations**

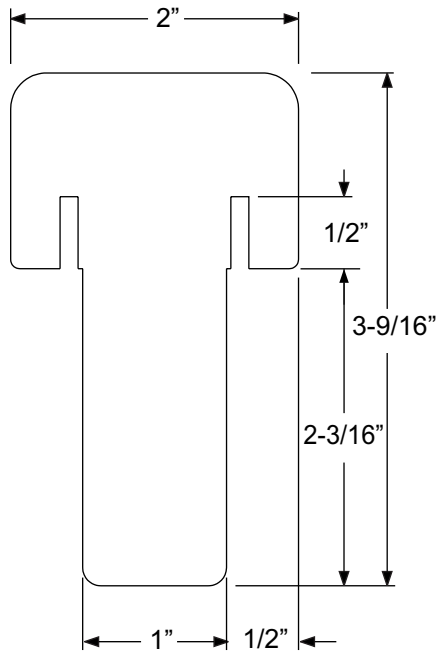
Height	A	B	C
6/8	11-23/64"	39-39/64"	67-1/32"
7/0	15-23/64"	43-39/64"	71-1/32"
8/0	9-43/64"	55-39/64"	83-1/32"



Reference Previous Page

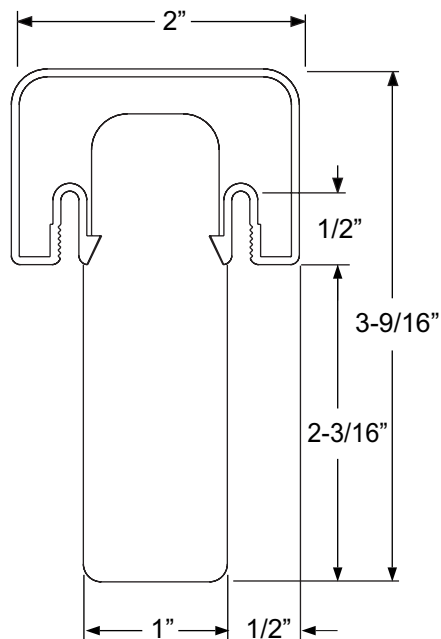
FRAME PARTS





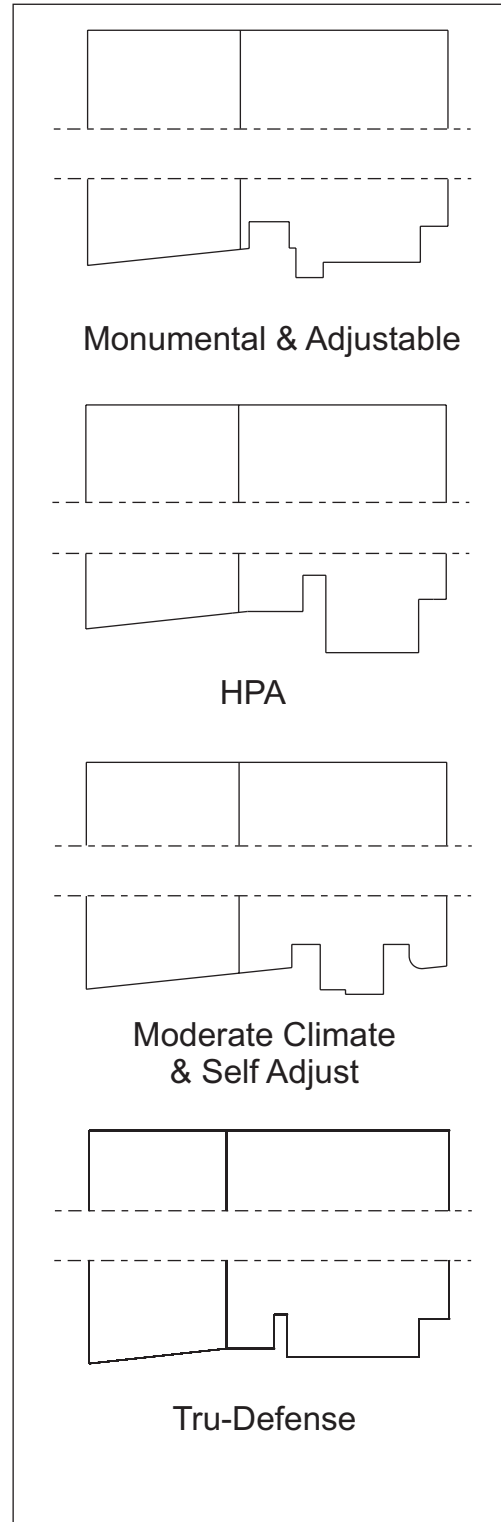
Oak, Pine, and Framesaver Mullion

The last 4-3/4" of bottom of Framesaver jamb is composite material.



Clad Mullion

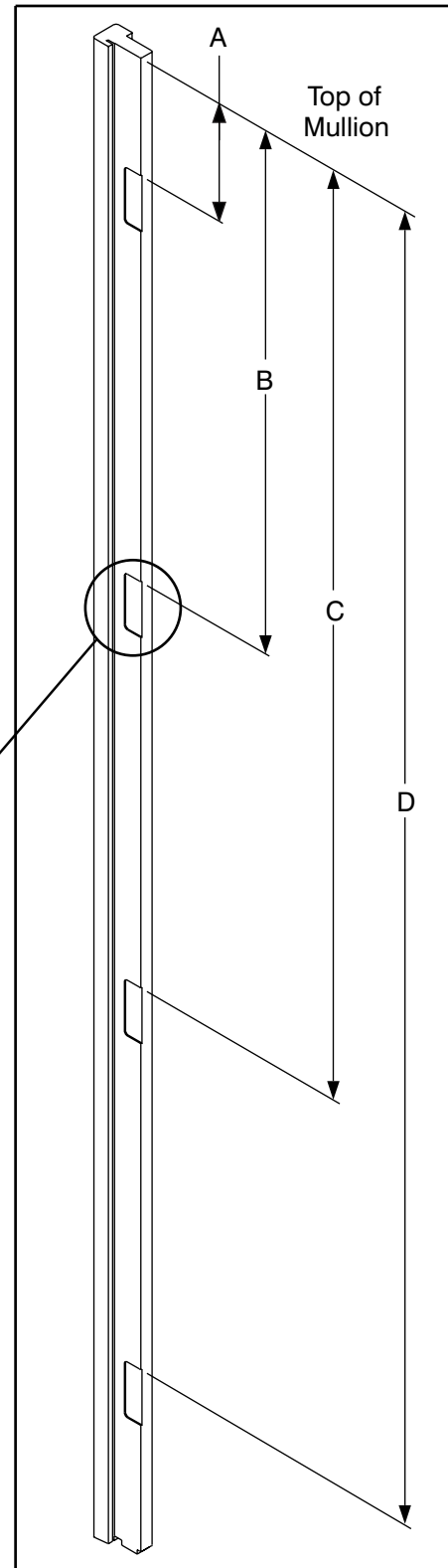
Sill End Detail



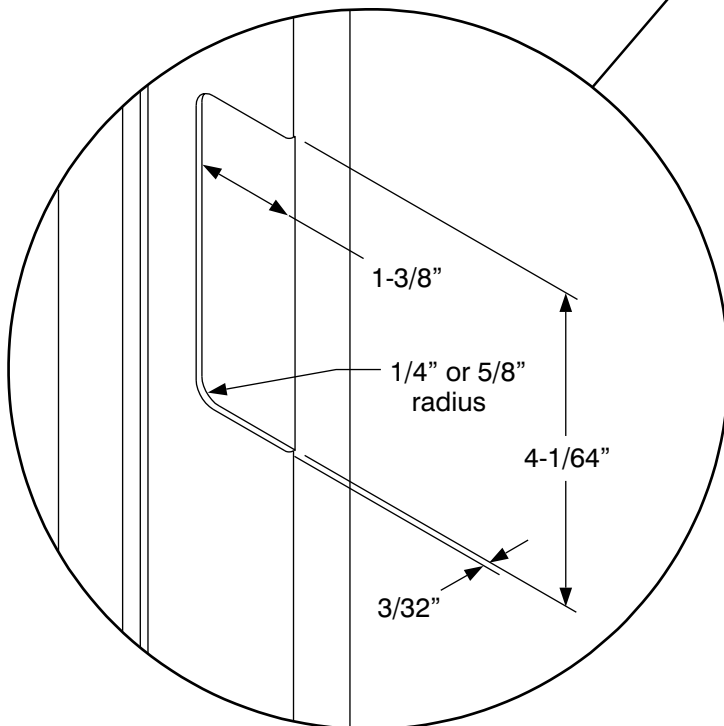
FRAME PARTS

Hinge Mortise Locations

Height	A	B	C	D
6/8	8-15/32"	37-23/32"	66-31/32"	X
8/0	5-3/8"	30-7/8"	56-3/8"	81-7/8"

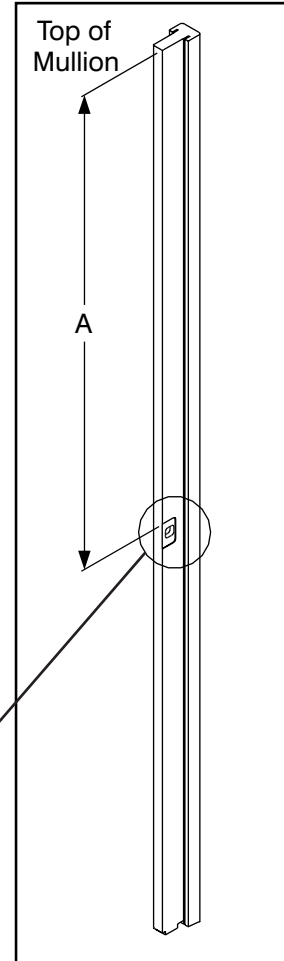


FRAME PARTS

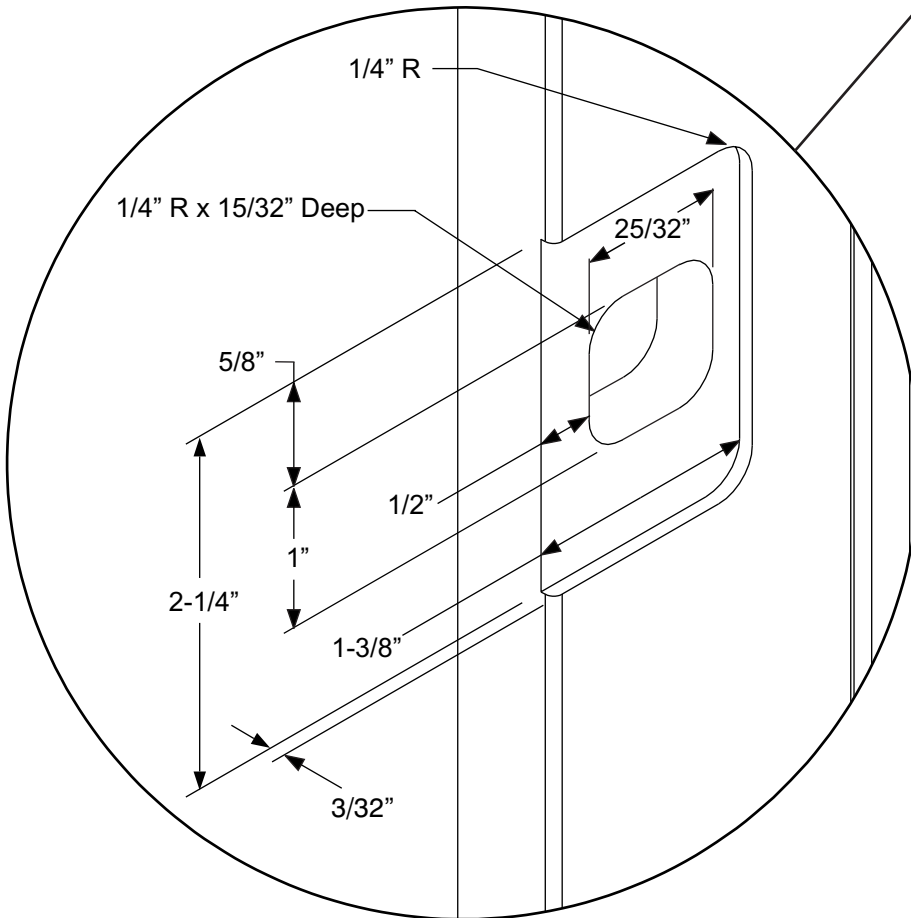


**Standard Lock
Mortise Location**

Height	A
6/8	42-31/32
8/0	58-31/32

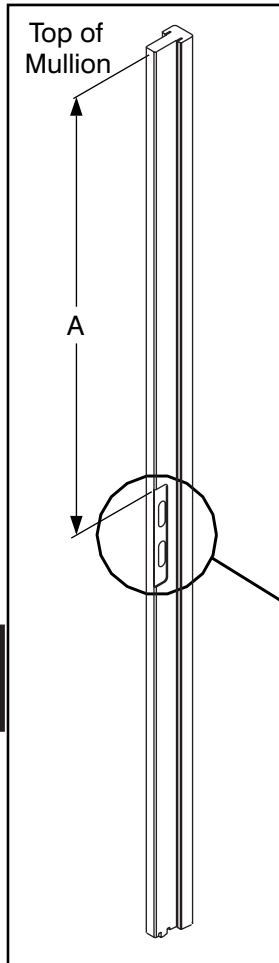


FRAME PARTS

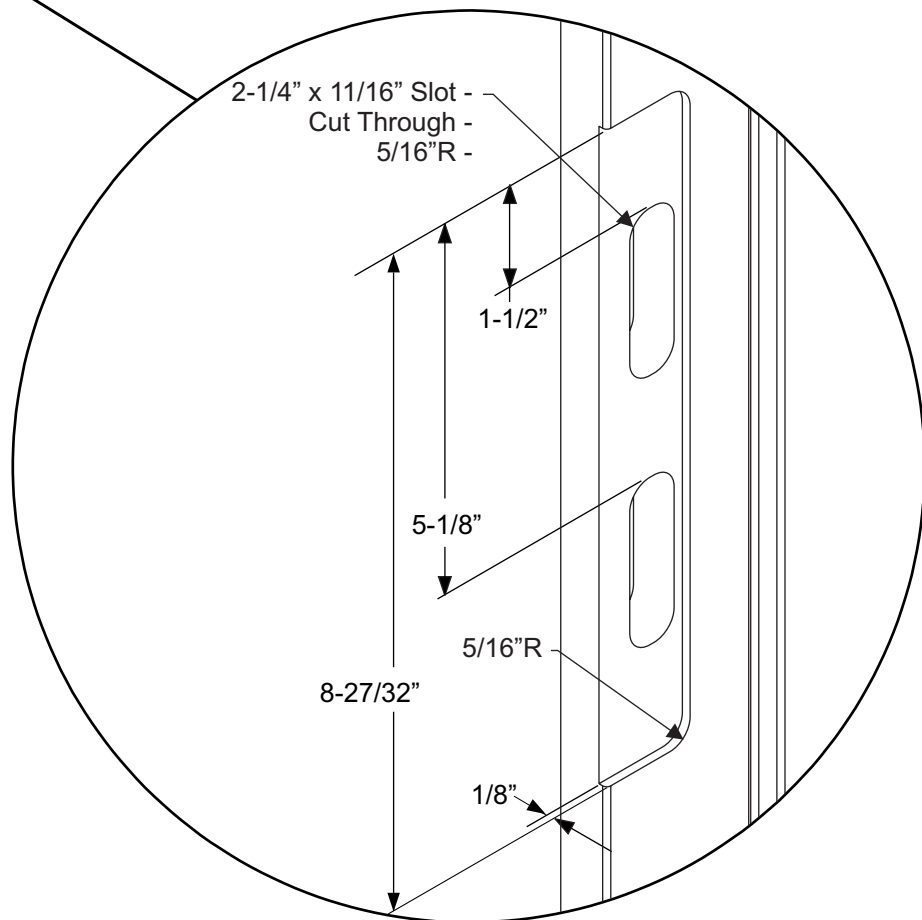


Manual Shootbolt & Variable Height Lock Mortise Location

Height	B
6/8	40-7/64"
8/0	56-7/64"



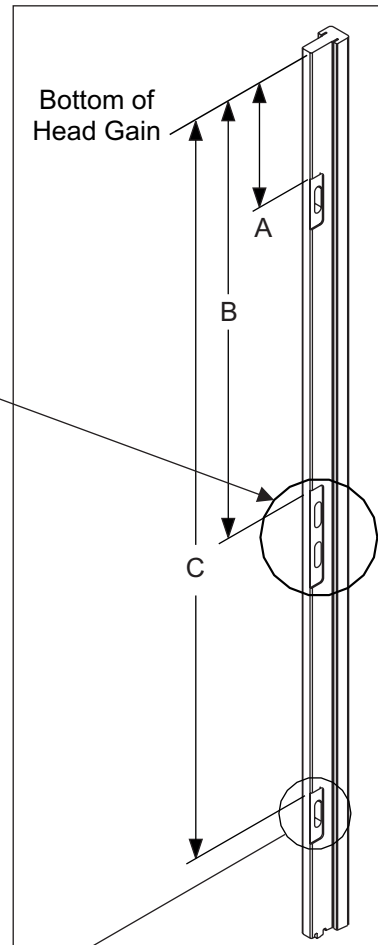
FRAME PARTS



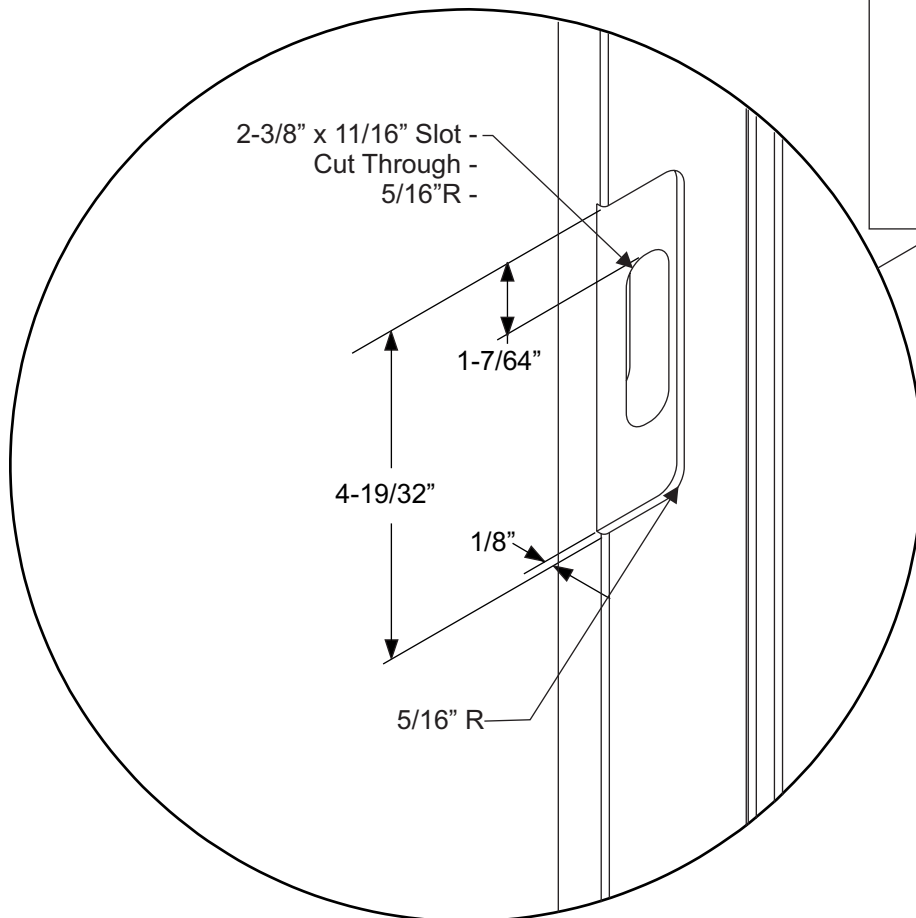
**Manual Tongue
Lock Mortise Location**

Height	A	B	C
6/8	11-55/64"	40-7/64"	67-17/32"
8/0	10-11/64"	56-7/64"	83-17/32"

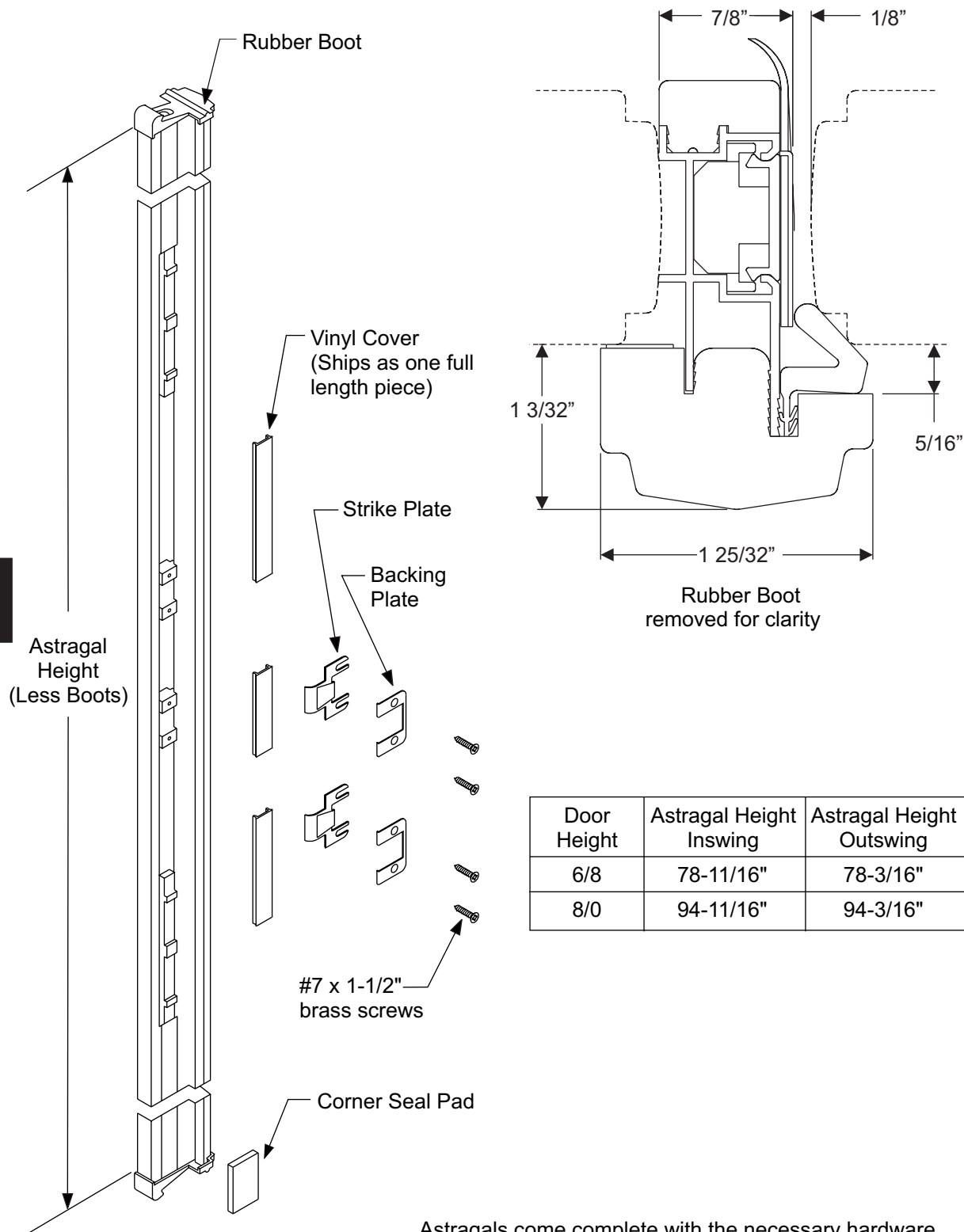
Reference Pg 3.13



FRAME PARTS



Oak Astragal

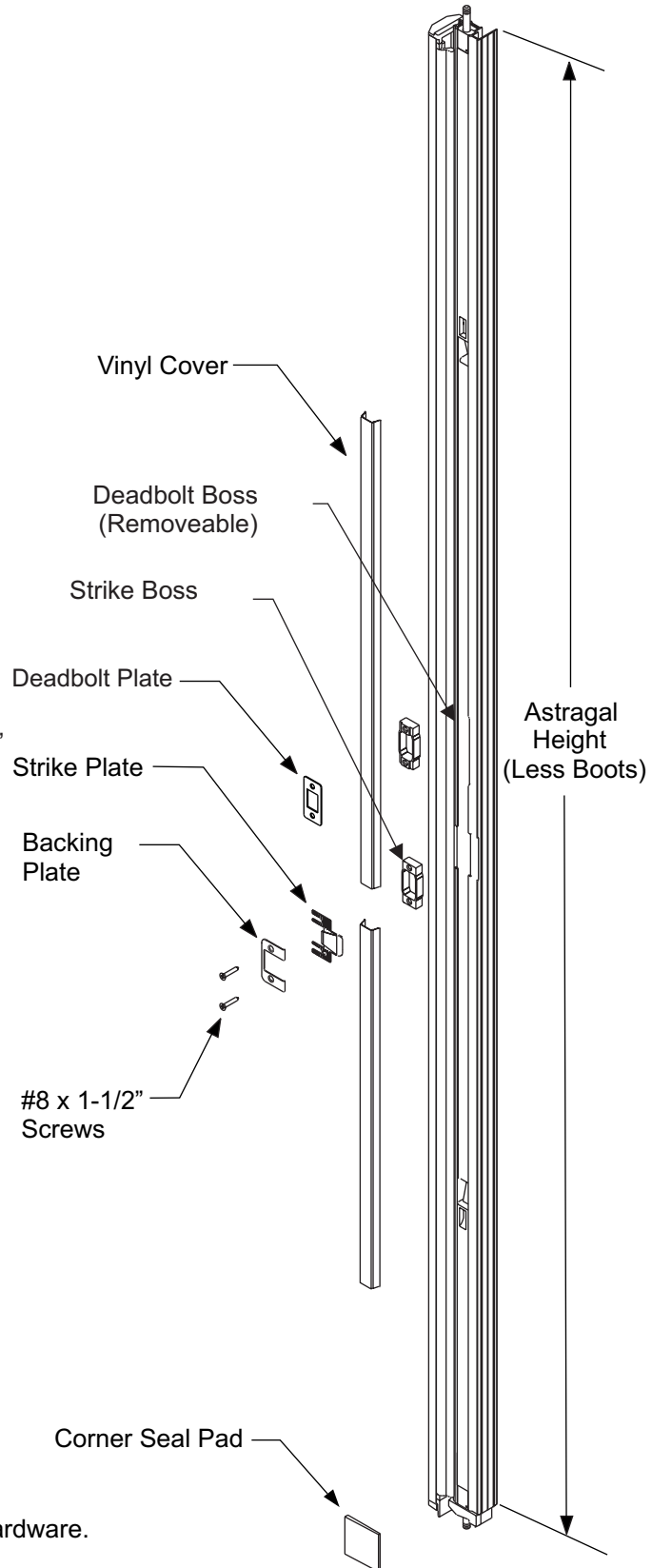
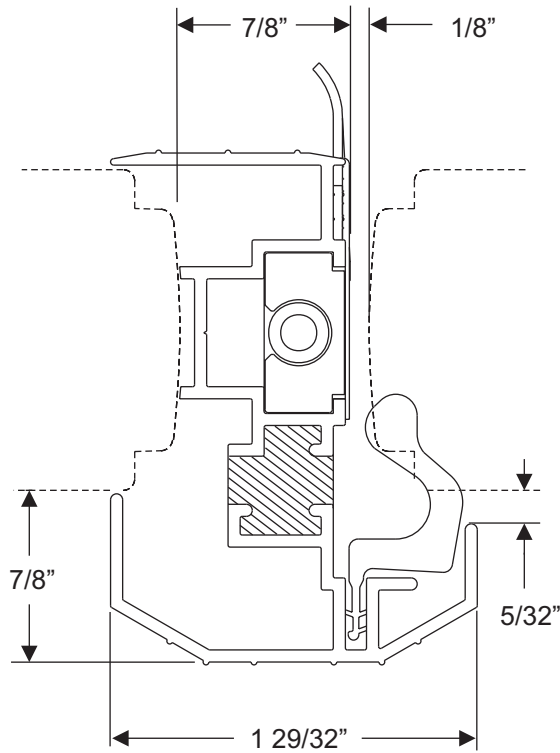


FRAME PARTS

Door Height	Astragal Height Inswing	Astragal Height Outswing
6/8	78-11/16"	78-3/16"
8/0	94-11/16"	94-3/16"

Astragals come complete with the necessary hardware. See COMP 12 for individual parts.

Standard Lock



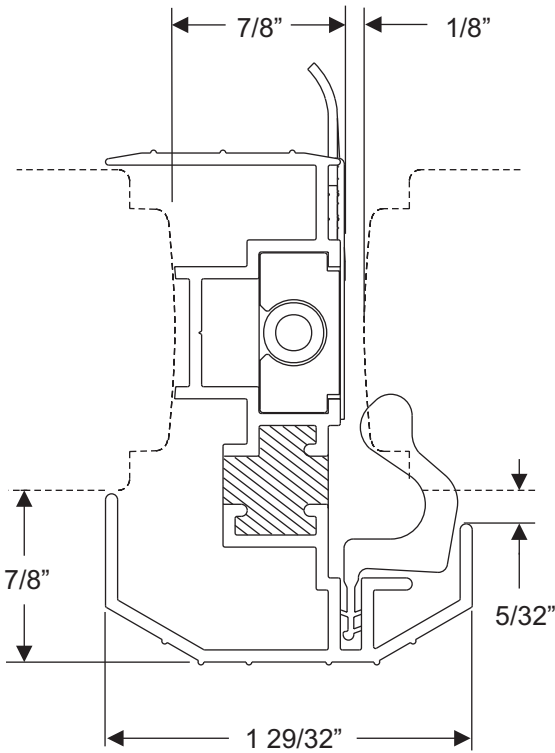
FRAME PARTS

Door Height	Astragal Height Inswing	Astragal Height Outswing
6/8	79-1/4"	79-1/4"
8/0	95-1/4"	95-1/4"

Astragals come complete with the necessary hardware. See COMP 12 for individual parts.

Standard Aluminum Astragal

Multipoint Lock - Manual Shootbolt



FRAME PARTS

Vinyl Cover

Latch / Deadbolt Strike Plate
(Supplied Separately)

#8 x 1-1/2" Screws

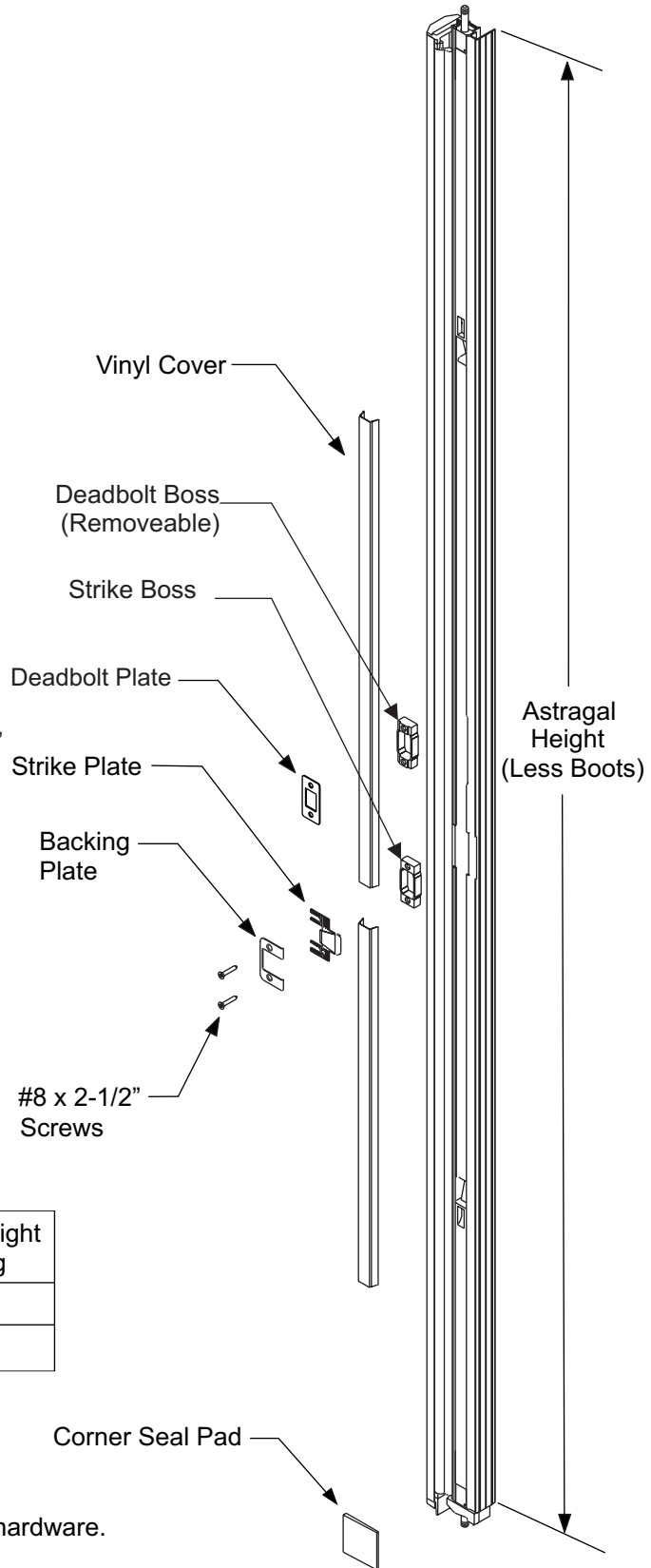
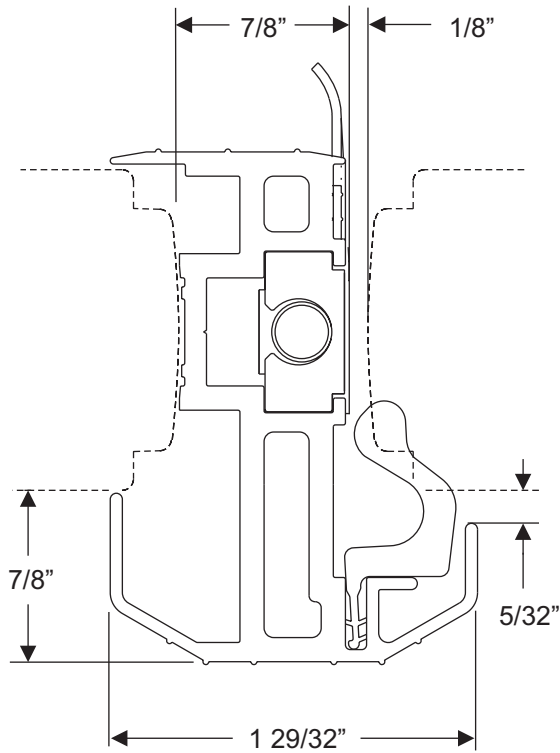
Astragal Height
(Less Boots)

Corner Seal Pad

Door Height	Astragal Height Inswing	Astragal Height Outswing
6/8	79-1/4"	79-1/4"
8/0	95-1/4"	95-1/4"

Astragals come complete with the necessary hardware except strike. See COMP 12 for individual parts.

Standard Lock

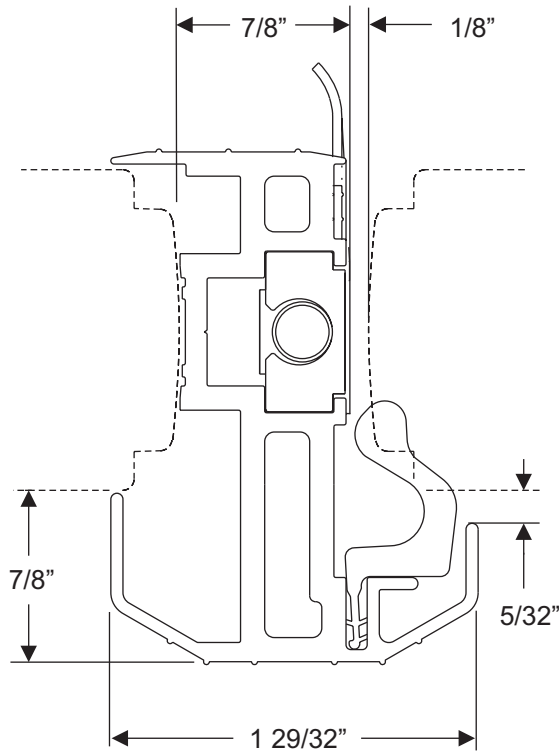


Door Height	Astragal Height Inswing	Astragal Height Outswing
6/8	79-1/4"	79-1/4"
8/0	95-1/4"	95-1/4"

Astragals come complete with the necessary hardware. See COMP 14 for individual parts.

Coastal Astragal #2

Multipoint Lock - Manual Shootbolt



FRAME PARTS

Vinyl Cover

Latch / Deadbolt
Strike Plate
(Supplied Separately)

#8 x 2-1/2"
Screws

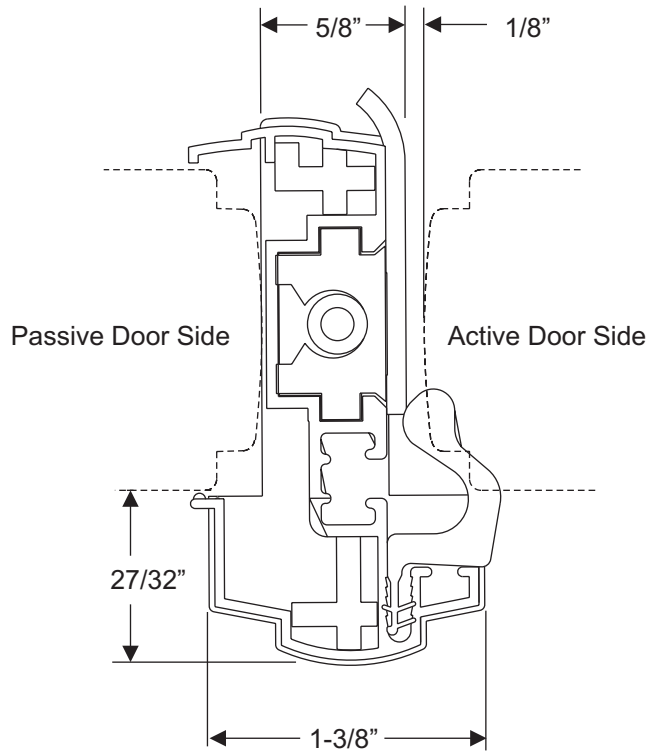
Astragal
Height
(Less Boots)

Corner Seal Pad

Door Height	Astragal Height Inswing	Astragal Height Outswing
6/8	79-1/4"	79-1/4"
8/0	95-1/4"	95-1/4"

Astragals come complete with the necessary hardware except strike.
See COMP 14 for individual parts.

Multi-Point Lock



Door Height	Astragal Height Inswing
6/8	79-1/4"
8/0	95-1/4"

Longer Snap-in Cover

Latch/Deadbolt Strike Plate

Shorter Snap-in Cover

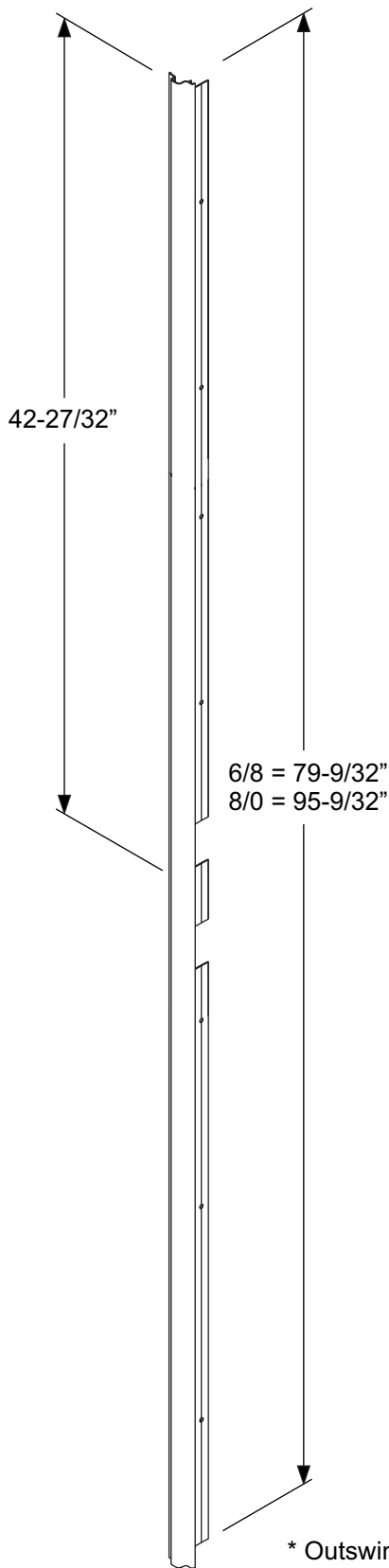
Astragal Height (Less Boots)

FRAME PARTS

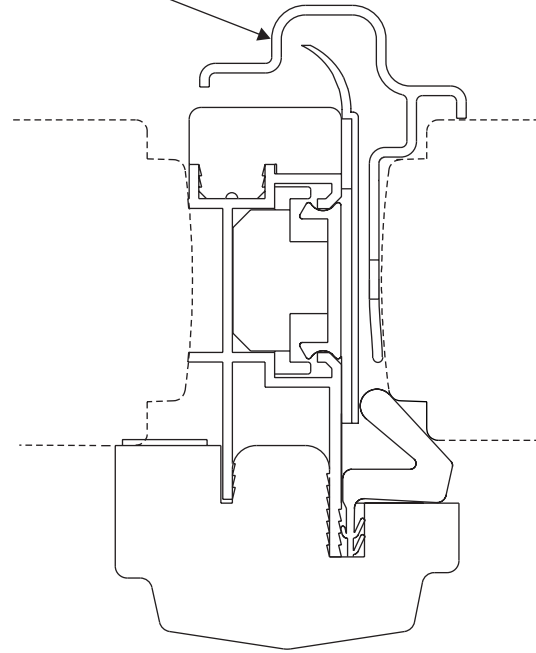
Astragals come complete with the necessary hardware. See COMP 14 for individual parts.

Astragal - Outswing Security Strip

Oak Astragal

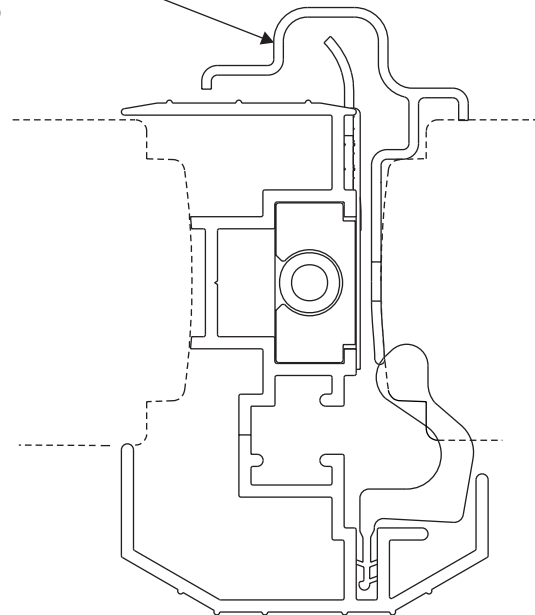


Outswing Astragal Security Strip



Standard Aluminum Astragal

Outswing Astragal Security Strip

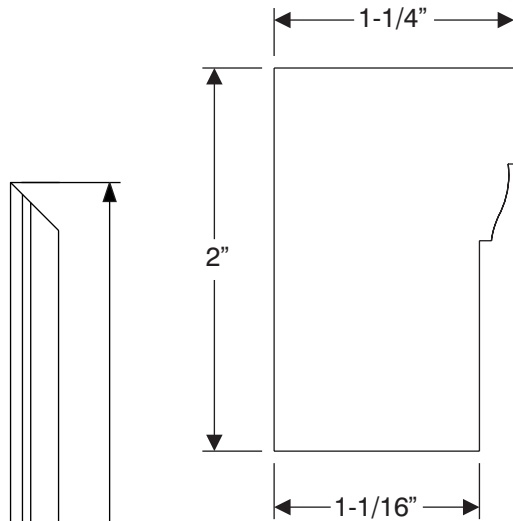


* Outswing Astragal Security Strip is handed.

This page intentionally left blank.

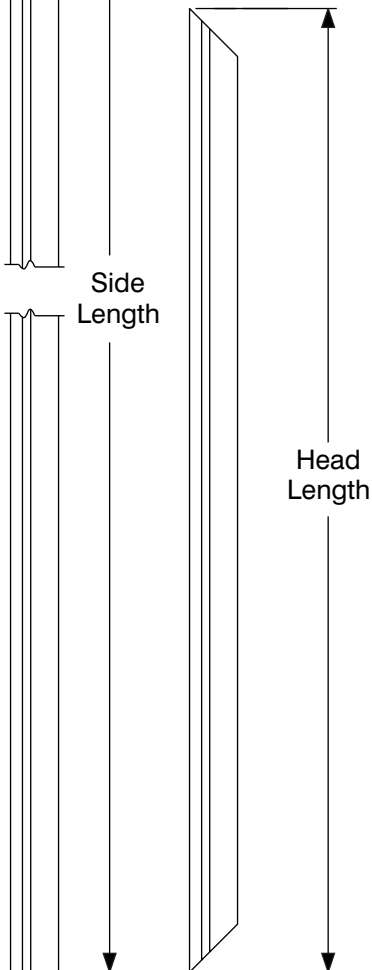
FRAME PARTS

Brickmould - Wood & Framesaver

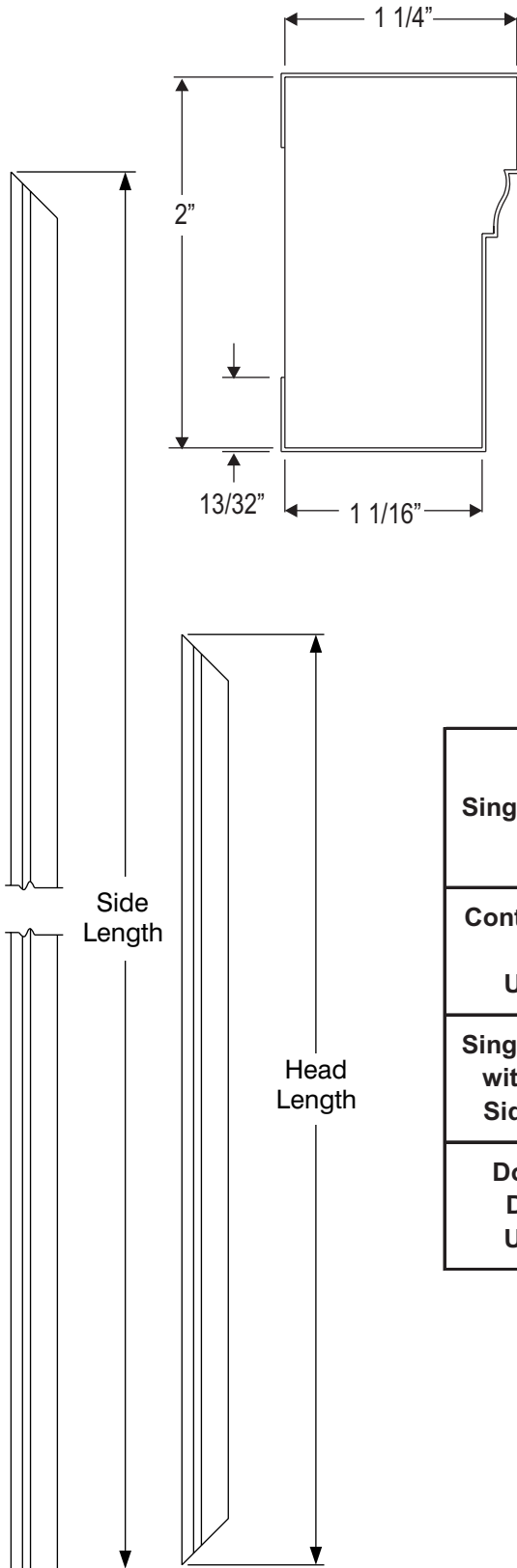


	Unit Size	Side Length
Inswing Units	6/8	83-9/32"
	7/0	87-9/32"
	8/0	99-9/32"
Outswing Units	6/8	82-3/16"
	7/0	86-3/16"
	8/0	98-3/16"
Transom Units	6/8	96-3/4"

FRAME PARTS



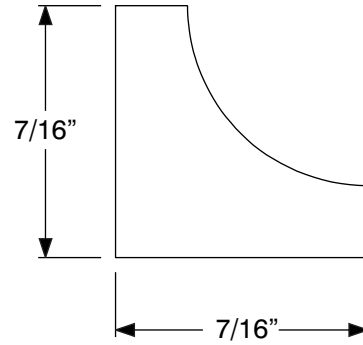
	Unit Size	Head Length Inswing	Head Length Outswing
Single Units	2/6	34-5/32"	34-21/32"
	2/8	36-5/32"	36-21/32"
	2/10	38-5/32"	38-21/32"
	3/0	40-5/32"	40-21/32"
	3/6	46-5/32"	46-21/32"
Continuous Sill Units	3/0 - (2) 12"	66-5/32"	N/A
	3/0 - (2) 14"	70-5/32"	N/A
Single Units with Box Sidelites	2/8 - (2) 12"	63-5/32"	63-21/32"
	2/8 - (2) 14"	67-5/32"	67-21/32"
	3/0 - (2) 12"	67-5/32"	67-21/32"
	3/0 - (2) 14"	71-5/32"	71-21/32"
Double Door Units	5/0	65-1/16"	65-9/16"
	5/4	69-1/16"	69-9/16"
	5/8	73-1/16"	73-9/16"
	6/0	77-1/16"	77-9/16"



	Unit Size	Side Length
Inswing Units	6/8	83-9/32"
	7/0	87-9/32"
	8/0	99-9/32"
Outswing Units	6/8	82-3/16"
	7/0	86-3/16"
	8/0	98-3/16"
Transom Units	6/8	96-3/4"

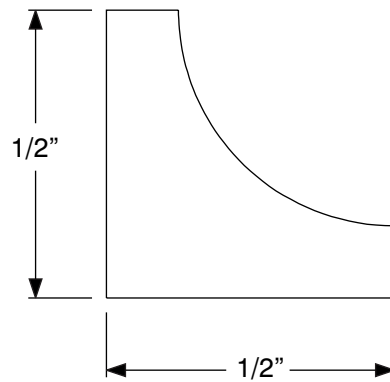
	Unit Size	Head Length Inswing	Head Length Outswing
Single Units	2/6	34-5/32"	34-21/32"
	2/8	36-5/32"	36-21/32"
	2/10	38-5/32"	38-21/32"
	3/0	40-5/32"	40-21/32"
	3/6	46-5/32"	46-21/32"
Continuous Sill Units	3/0 - (2) 12"	66-5/32"	N/A
	3/0 - (2) 14"	70-5/32"	N/A
Single Units with Box Sidelites	2/8 - (2) 12"	63-5/32"	63-21/32"
	2/8 - (2) 14"	67-5/32"	67-21/32"
	3/0 - (2) 12"	67-5/32"	67-21/32"
	3/0 - (2) 14"	71-5/32"	71-21/32"
Double Door Units	5/0	65-1/16"	65-9/16"
	5/4	69-1/16"	69-9/16"
	5/8	73-1/16"	73-9/16"
	6/0	77-1/16"	77-9/16"

FRAME PARTS

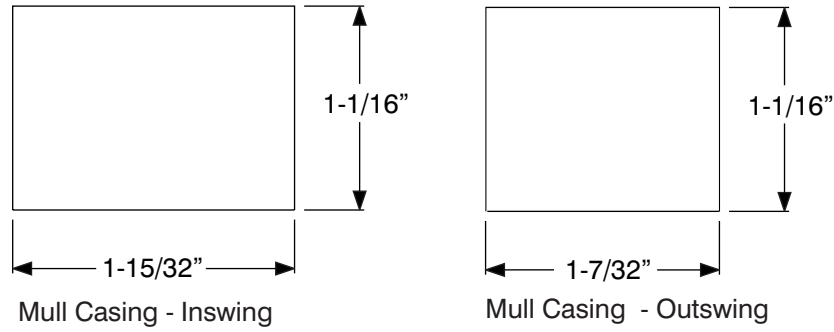


Sidelite

FRAME PARTS



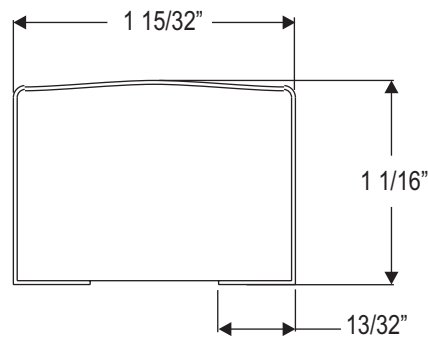
Transom



Length: Standard = 81-1/4"
 Transom = 95-3/4"
 8/0 Height = 98"

Wood Mull Casing

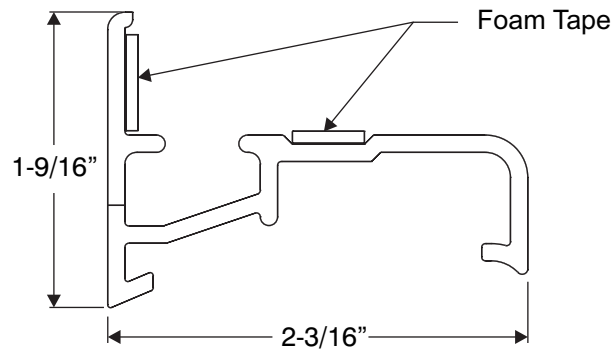
FRAME PARTS



Length: Standard 6/8 = 81-1/4"
 8/0 Height = 98"

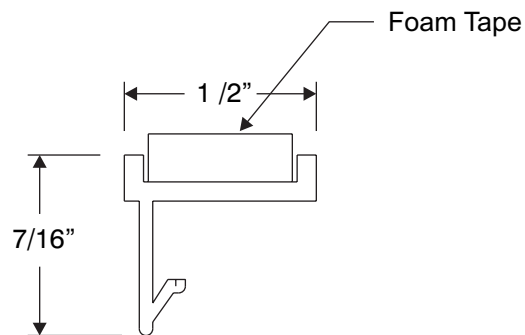
Clad Mull Casing

Direct Set Sidelite



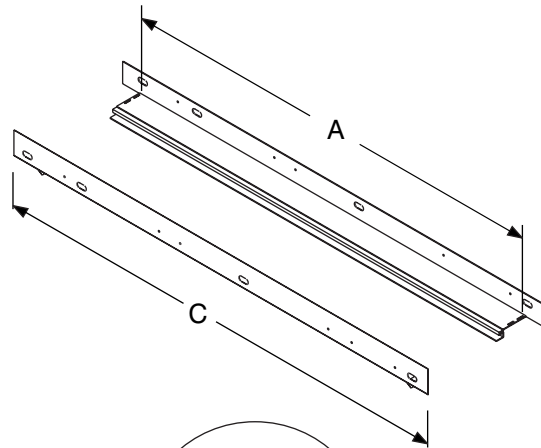
Bottom Trim
Length = 37"

FRAME PARTS



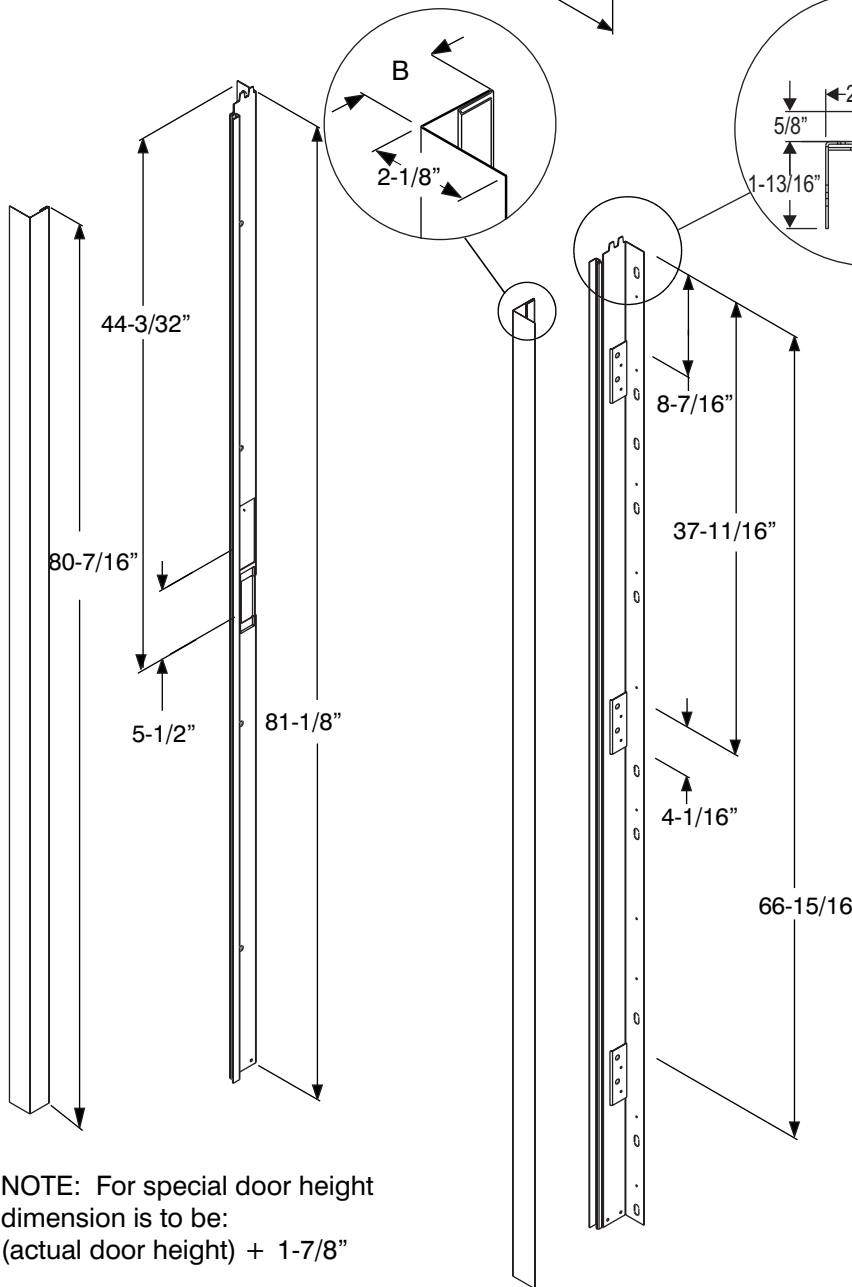
Weatherstrip Carrier
Length = 78-1/4"

Split-Jamb - Inswing



Size	A	C
2/6	30-5/32"	33-25/32"
2/8	32-5/32"	35-25/32"
2/10	34-5/32"	37-25/32"
3/0	36-5/32"	39-25/32"
3/6	42-5/32"	45-25/32"

NOTE: For special door width dimension A is to be:
(actual door width) + 9/32"

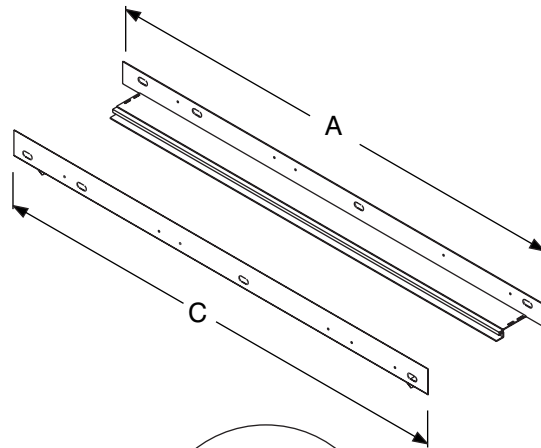


NOTE: For special door height dimension is to be:
(actual door height) + 1-7/8"

Frame Width	B
3-3/8" - 3-3/4"	1-3/16"
3-3/4" - 4-1/8"	1-5/8"
4-1/8" - 4-5/8"	2"
4-5/8" - 5"	2-3/8"
5-1/8" - 5-5/8"	3"
5-5/8" - 6"	3-3/8"
6-1/8" - 6-5/8"	4"
6-5/8" - 7"	4-3/8"
7-1/8" - 7-5/8"	5"
7-5/8" - 8"	5-3/8"
8-1/8" - 8-5/8"	6"
8-5/8" - 9"	6-3/8"
9-1/8" - 9-5/8"	7"
9-5/8" - 10"	7-3/8"
10-1/8" - 10-5/8"	8"
10-5/8" - 11"	8-3/8"
11-1/8" - 11-5/8"	9"
11-5/8" - 12"	9-3/8"

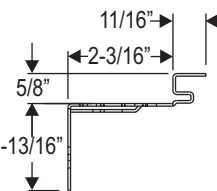
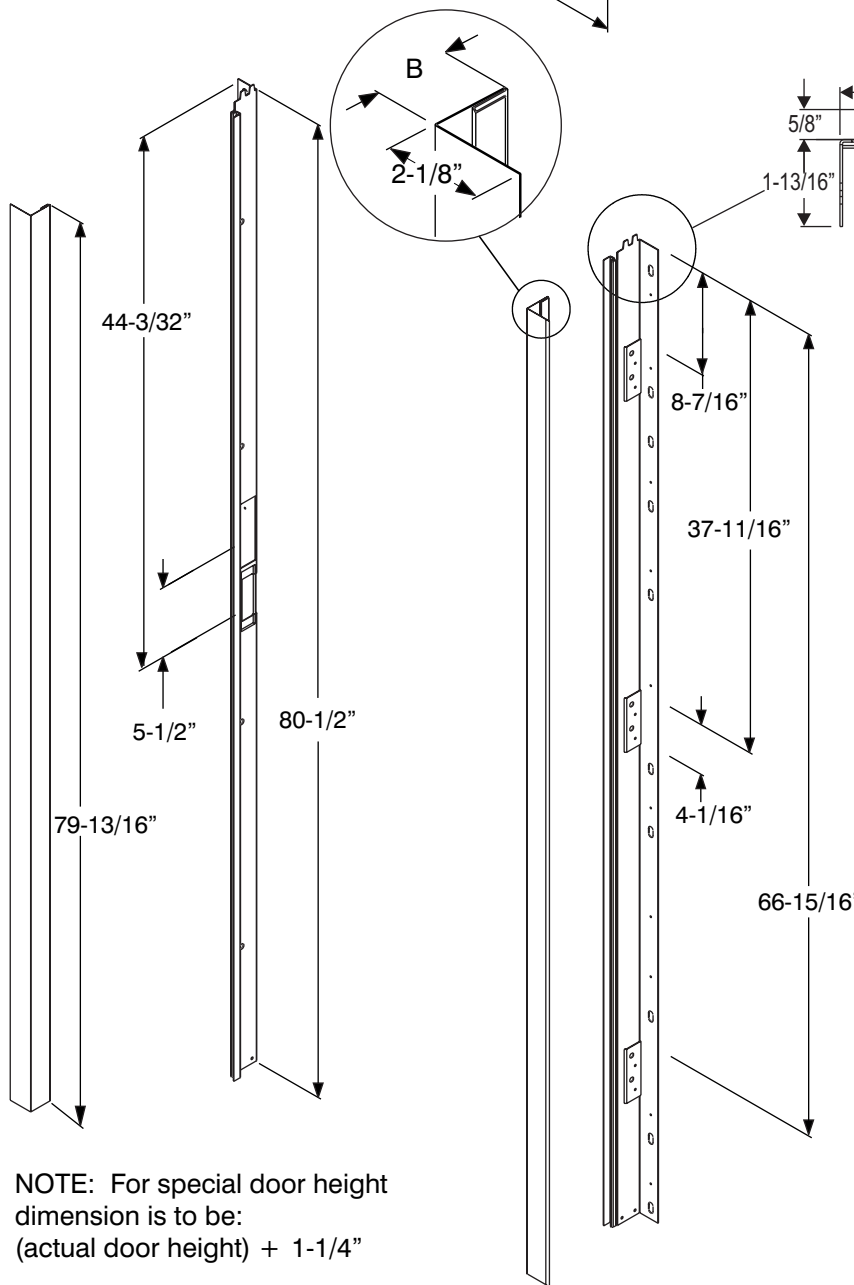
FRAME PARTS

Split-Jamb - Public Access Inswing/Outswing



Size	A	C
3/0	36-5/32"	39-25/32"
3/6	42-5/32"	45-25/32"

NOTE: For special door width dimension A is to be:
(actual door width) + 9/32"

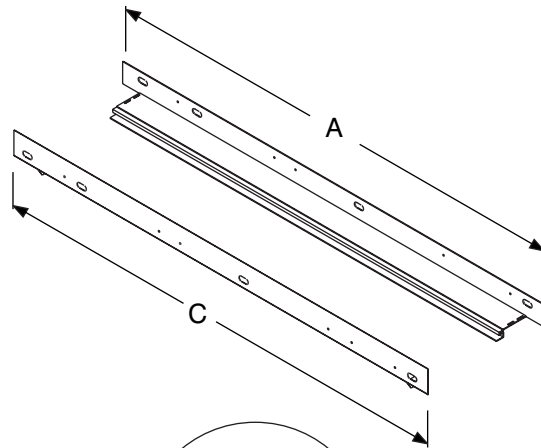


FRAME PARTS

Frame Width	B
3-3/8" - 3-3/4"	1-3/16"
3-3/4" - 4-1/8"	1-5/8"
4-1/8" - 4-5/8"	2"
4-5/8" - 5"	2-3/8"
5-1/8" - 5-5/8"	3"
5-5/8" - 6"	3-3/8"
6-1/8" - 6-5/8"	4"
6-5/8" - 7"	4-3/8"
7-1/8" - 7-5/8"	5"
7-5/8" - 8"	5-3/8"
8-1/8" - 8-5/8"	6"
8-5/8" - 9"	6-3/8"
9-1/8" - 9-5/8"	7"
9-5/8" - 10"	7-3/8"
10-1/8" - 10-5/8"	8"
10-5/8" - 11"	8-3/8"
11-1/8" - 11-5/8"	9"
11-5/8" - 12"	9-3/8"

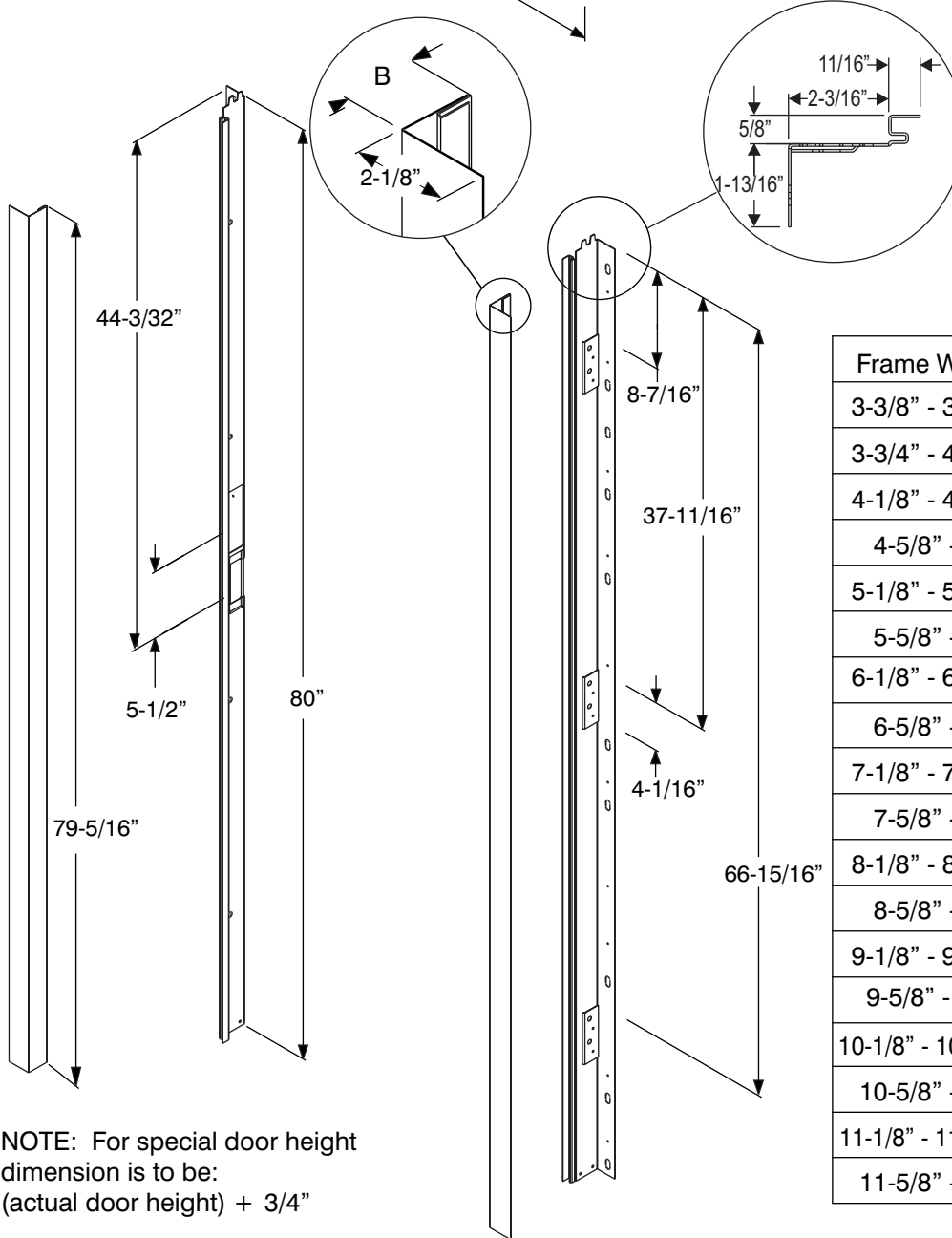
NOTE: For special door height dimension is to be:
(actual door height) + 1-1/4"

Split-Jamb - No Sill



Size	A	C
2/6	30-5/32"	33-25/32"
2/8	32-5/32"	35-25/32"
2/10	34-5/32"	37-25/32"
3/0	36-5/32"	39-25/32"
3/6	42-5/32"	45-25/32"

NOTE: For special door width dimension A is to be:
(actual door width) + 9/32"



NOTE: For special door height dimension is to be:
(actual door height) + 3/4"

Frame Width	B
3-3/8" - 3-3/4"	1-3/16"
3-3/4" - 4-1/8"	1-5/8"
4-1/8" - 4-5/8"	2"
4-5/8" - 5"	2-3/8"
5-1/8" - 5-5/8"	3"
5-5/8" - 6"	3-3/8"
6-1/8" - 6-5/8"	4"
6-5/8" - 7"	4-3/8"
7-1/8" - 7-5/8"	5"
7-5/8" - 8"	5-3/8"
8-1/8" - 8-5/8"	6"
8-5/8" - 9"	6-3/8"
9-1/8" - 9-5/8"	7"
9-5/8" - 10"	7-3/8"
10-1/8" - 10-5/8"	8"
10-5/8" - 11"	8-3/8"
11-1/8" - 11-5/8"	9"
11-5/8" - 12"	9-3/8"

FRAME PARTS

FRAME PARTS

This page intentionally left blank.